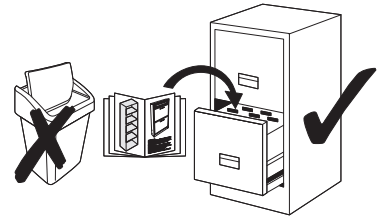


1803

ALAMOS ALK02

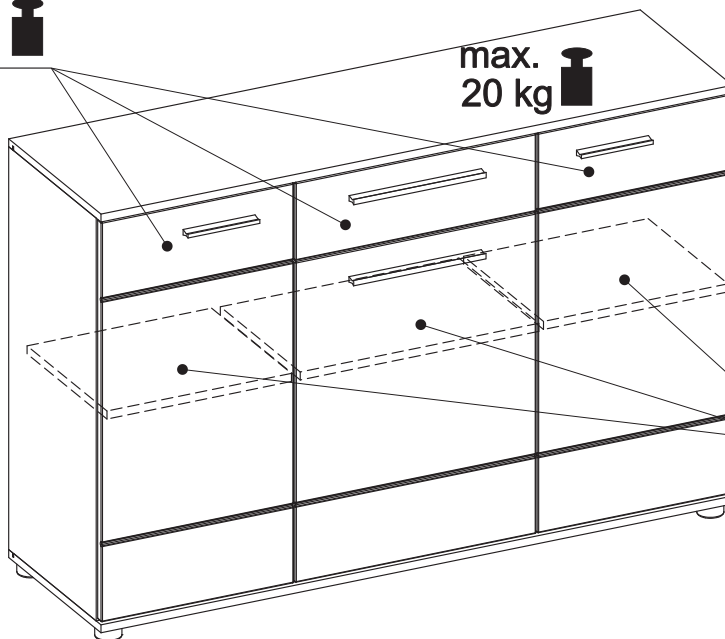


- 120 min.



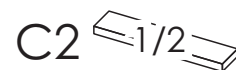
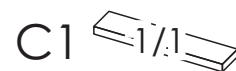
max.
5 kg 

max.
20 kg 



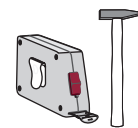
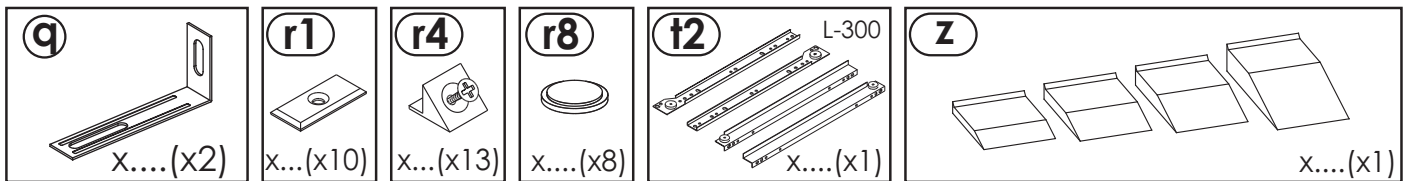
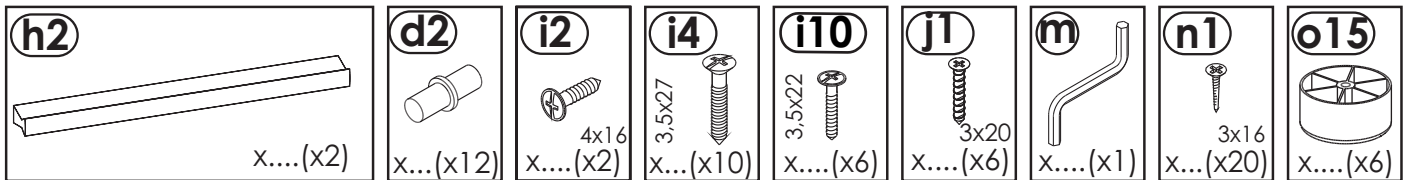
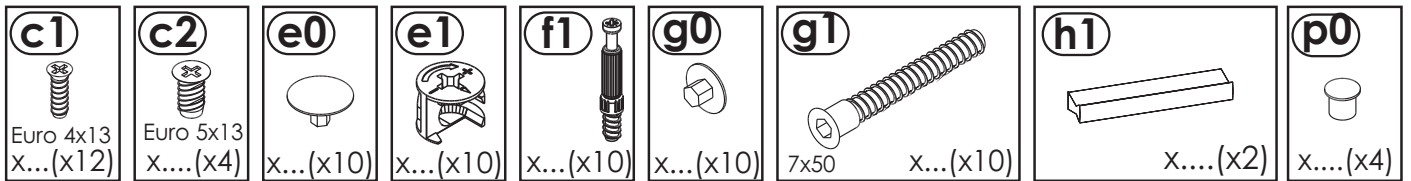
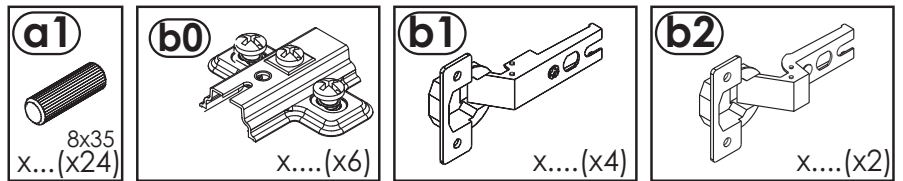
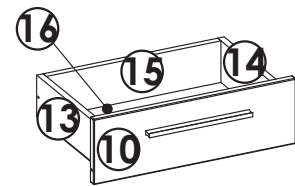
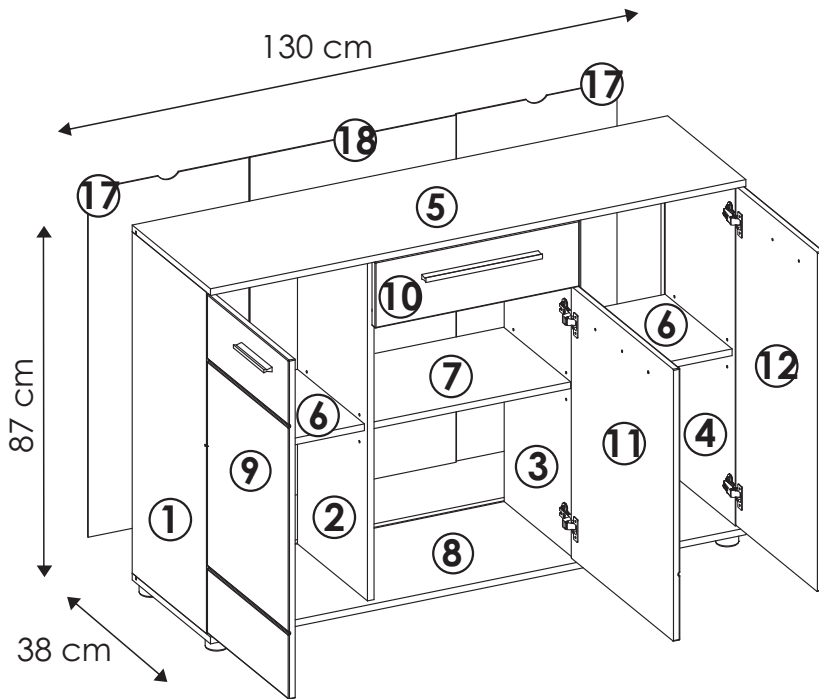
max.
5 kg 

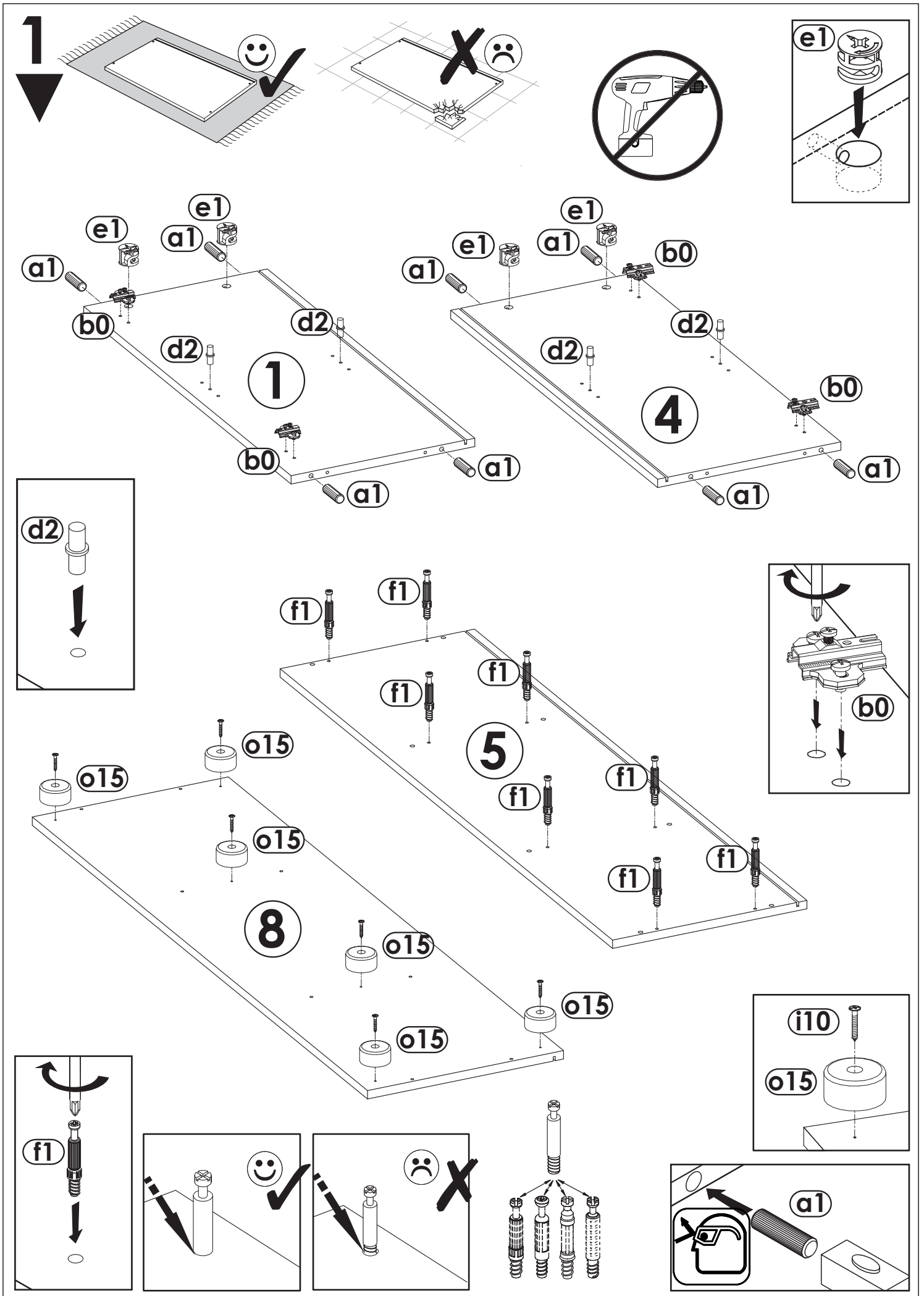
- | | | |
|--------|--------|--------|
| ① - C1 | ⑦ - C2 | ⑬ - C2 |
| ② - C1 | ⑧ - C1 | ⑭ - C2 |
| ③ - C1 | ⑨ - C2 | ⑮ - C2 |
| ④ - C1 | ⑩ - C2 | ⑯ - C2 |
| ⑤ - C1 | ⑪ - C2 | ⑰ - C2 |
| ⑥ - C2 | ⑫ - C2 | ⑱ - C2 |

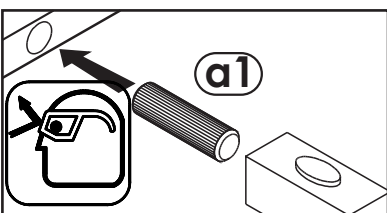
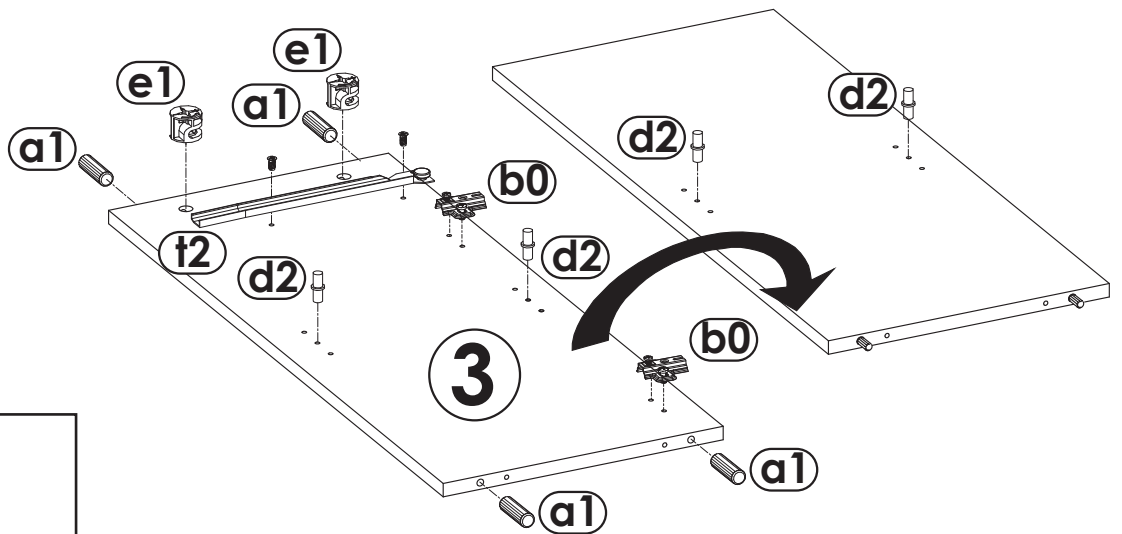
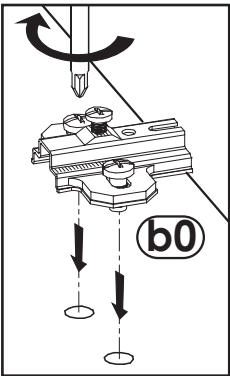
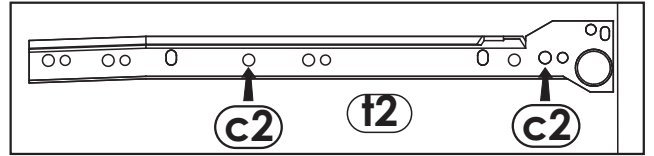
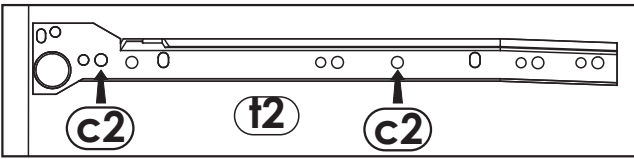
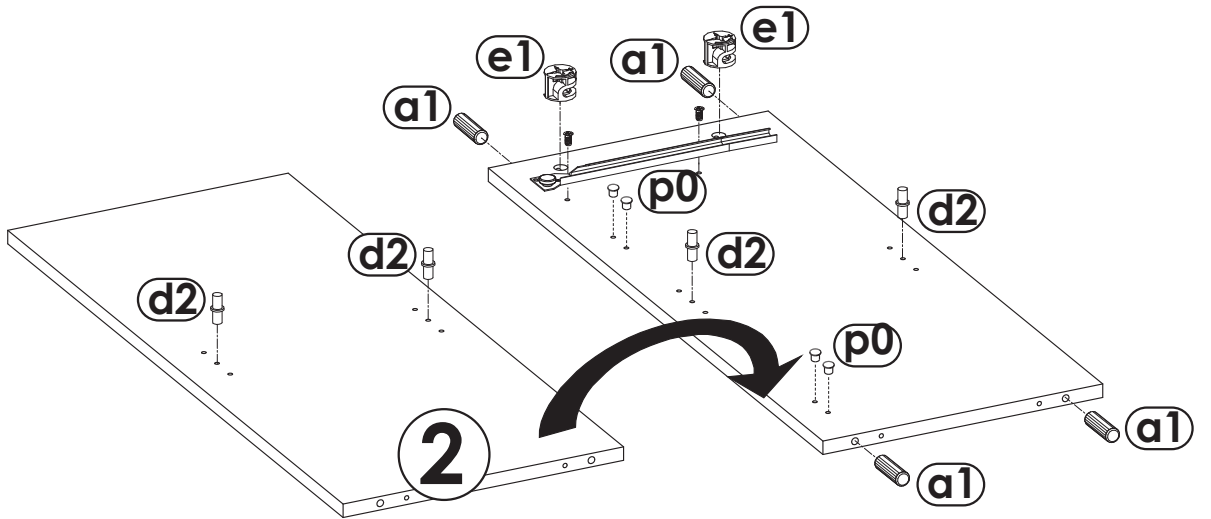
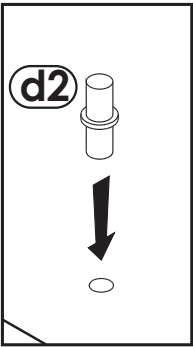
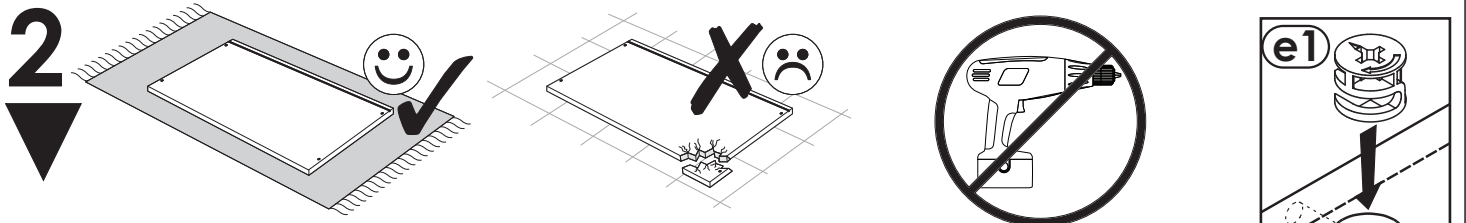


1803

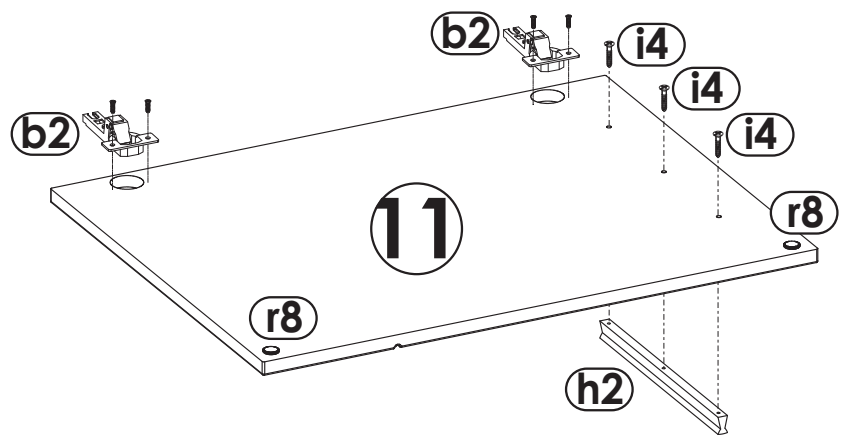
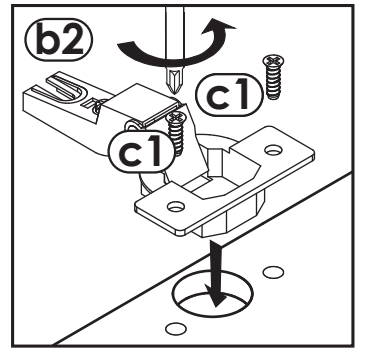
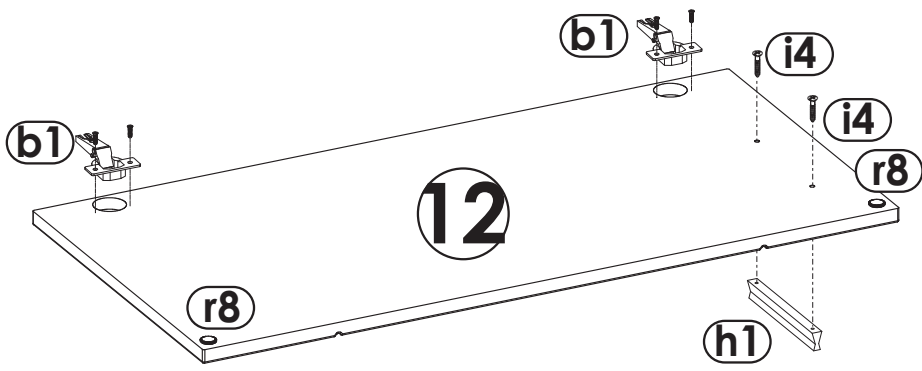
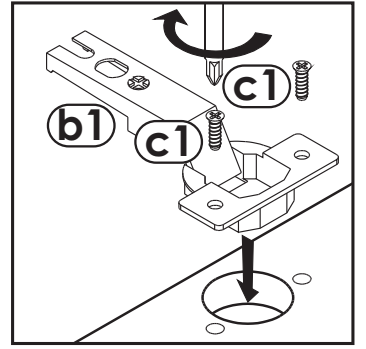
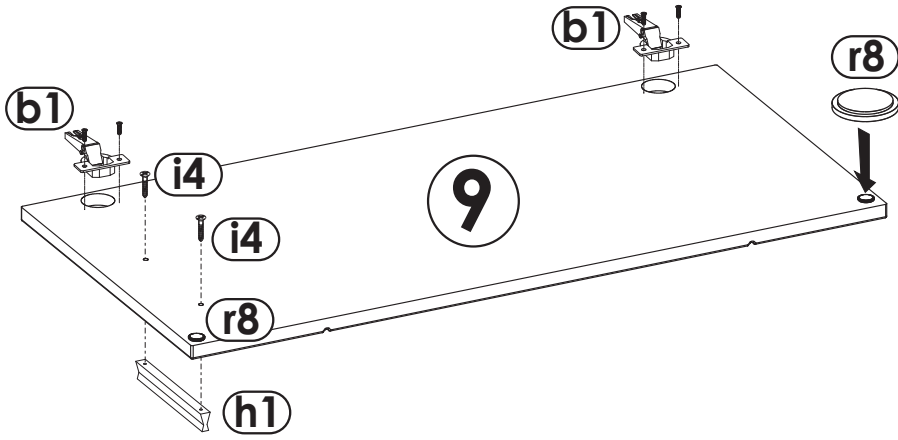
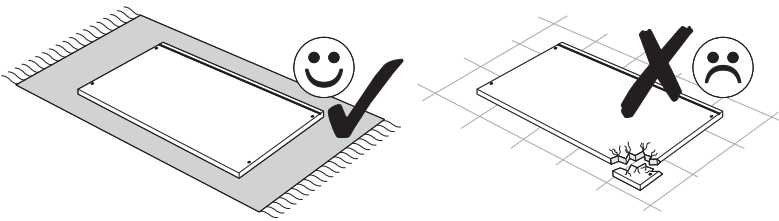
ALAMOS ALK02

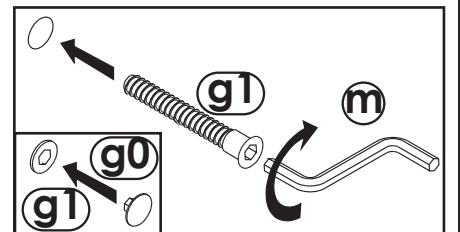
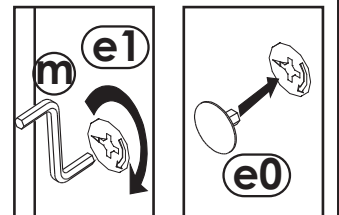
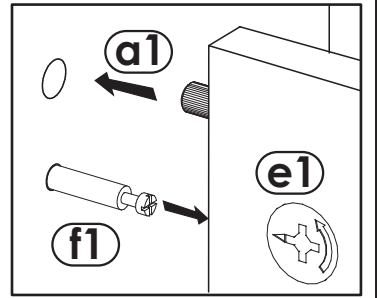
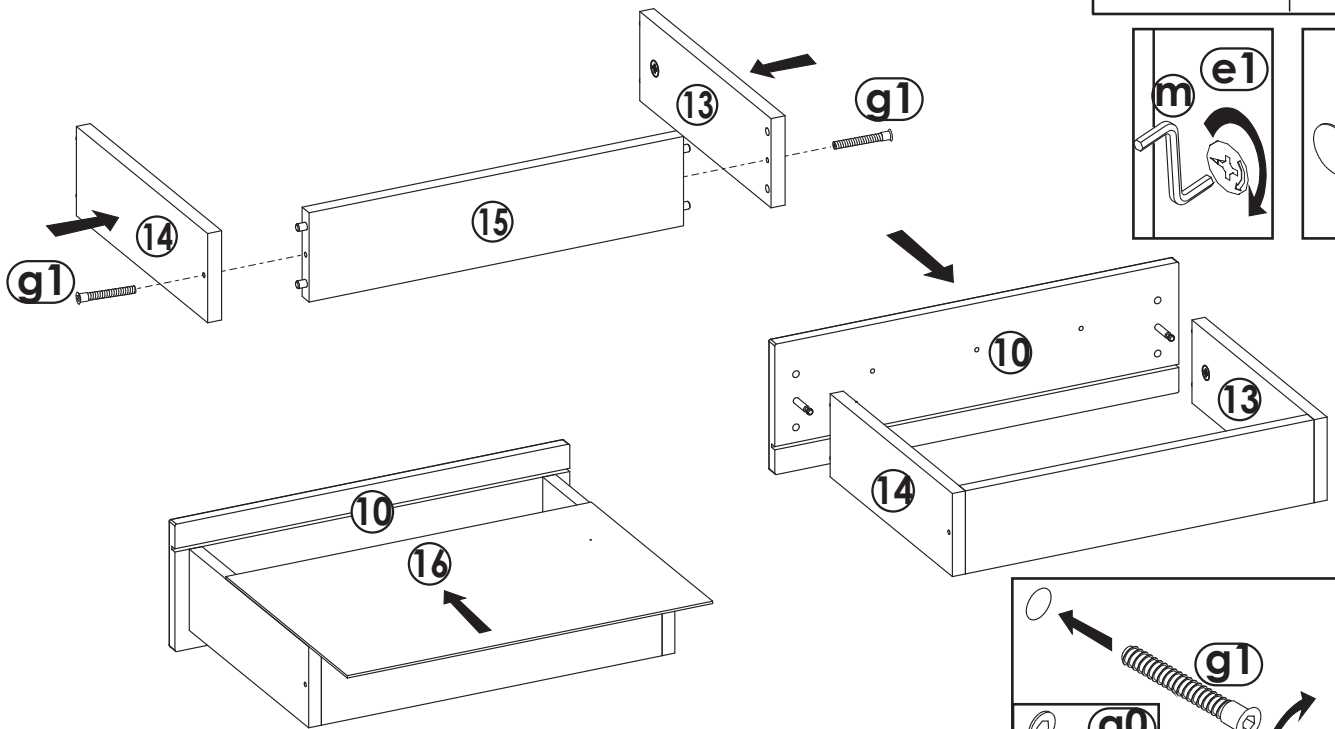
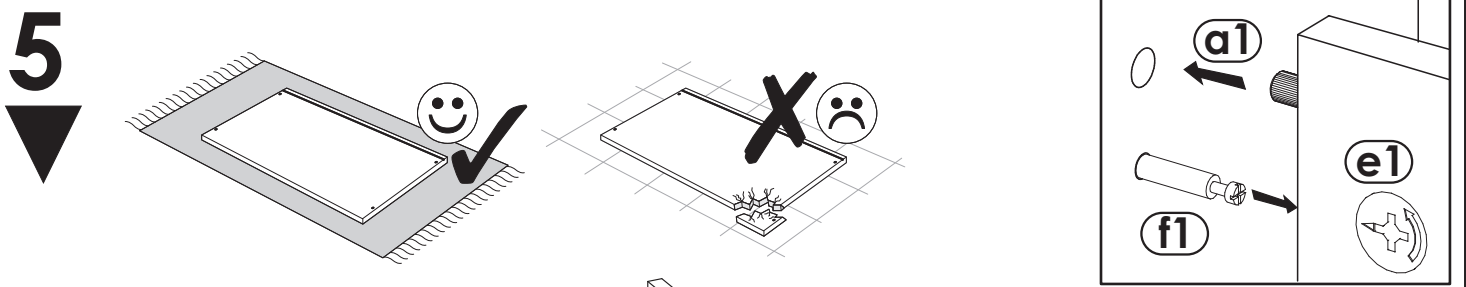
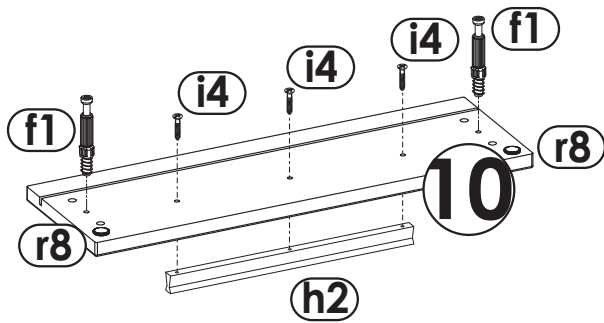
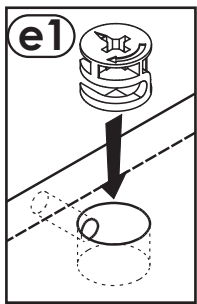
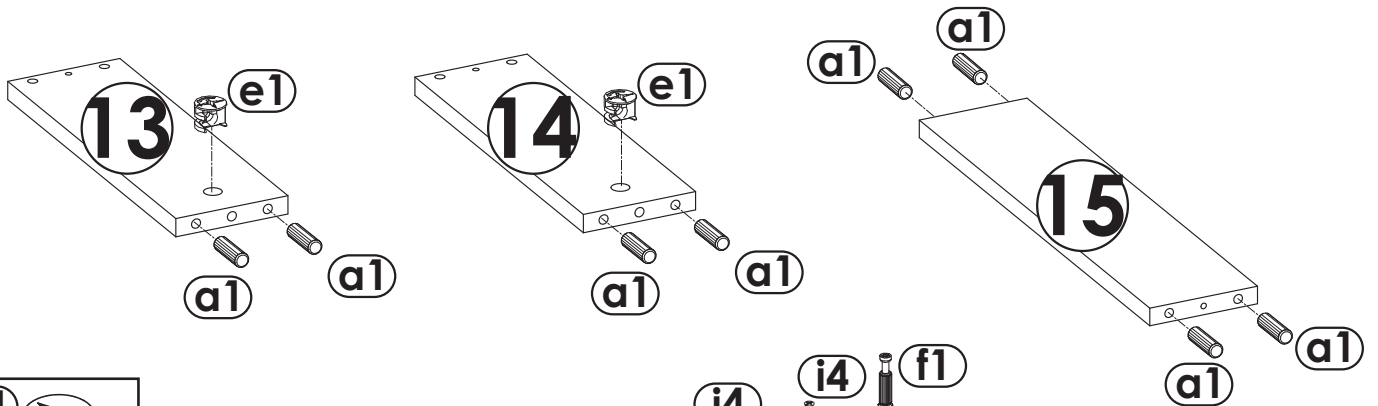
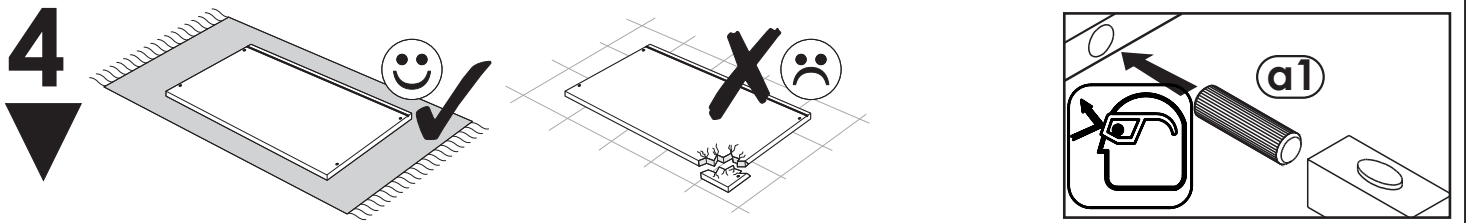




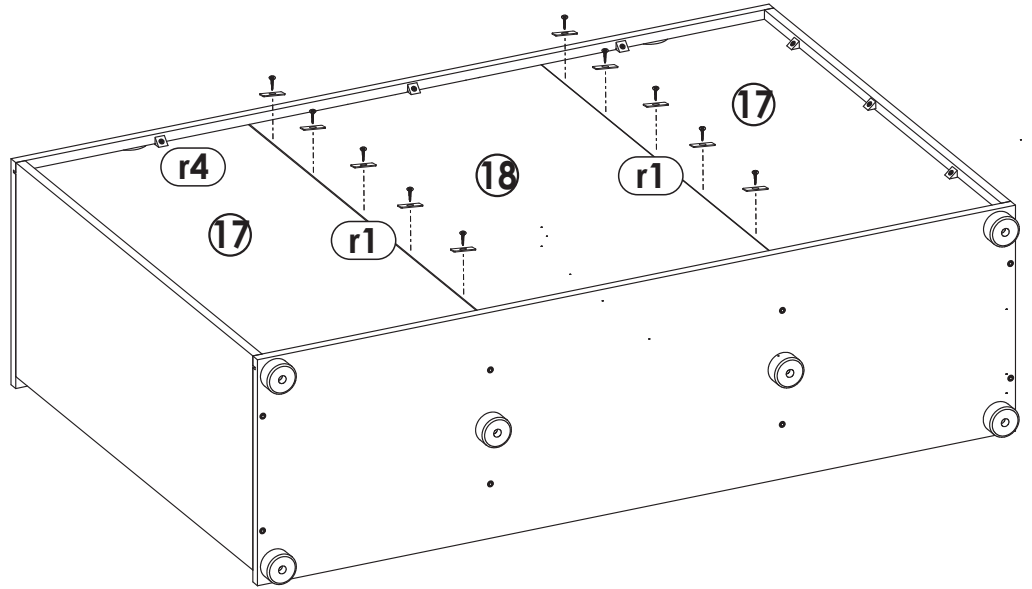
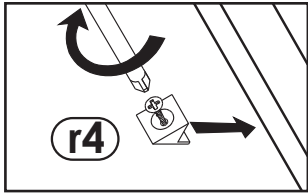
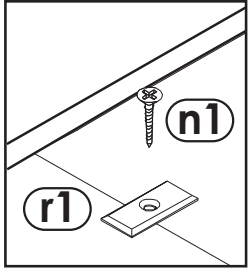
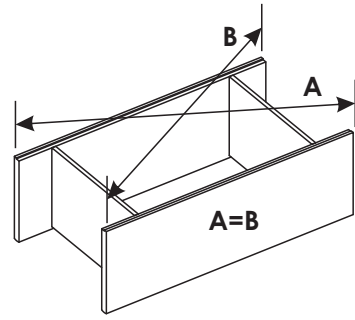
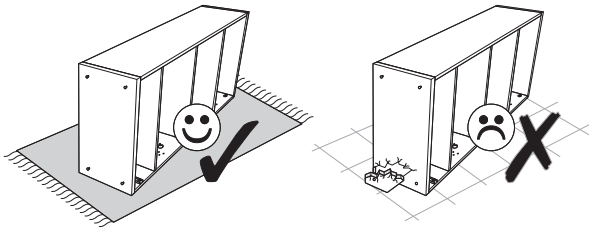


3

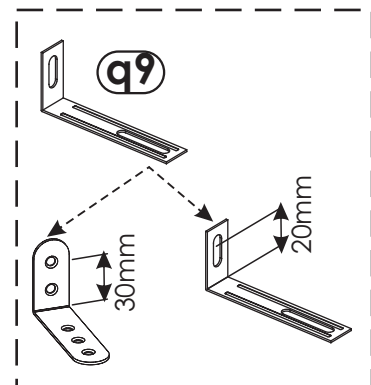
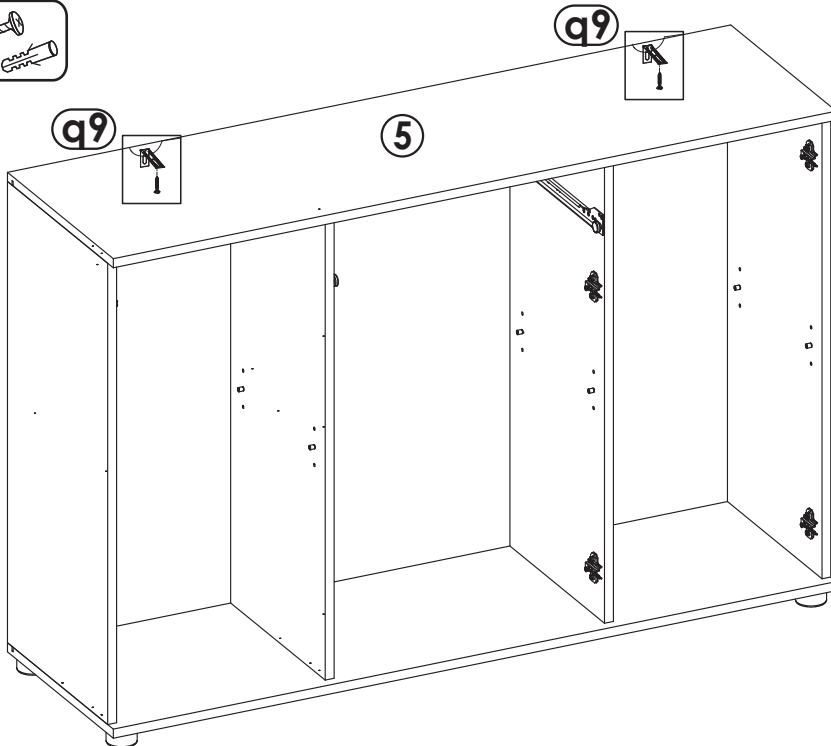
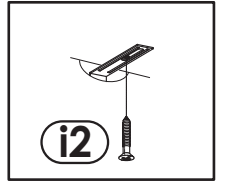
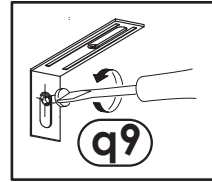
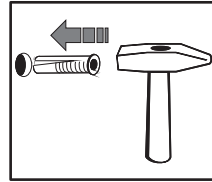
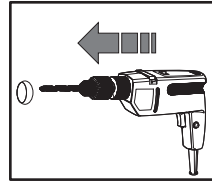
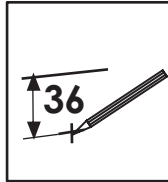
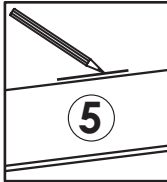




8



9



10
▼

