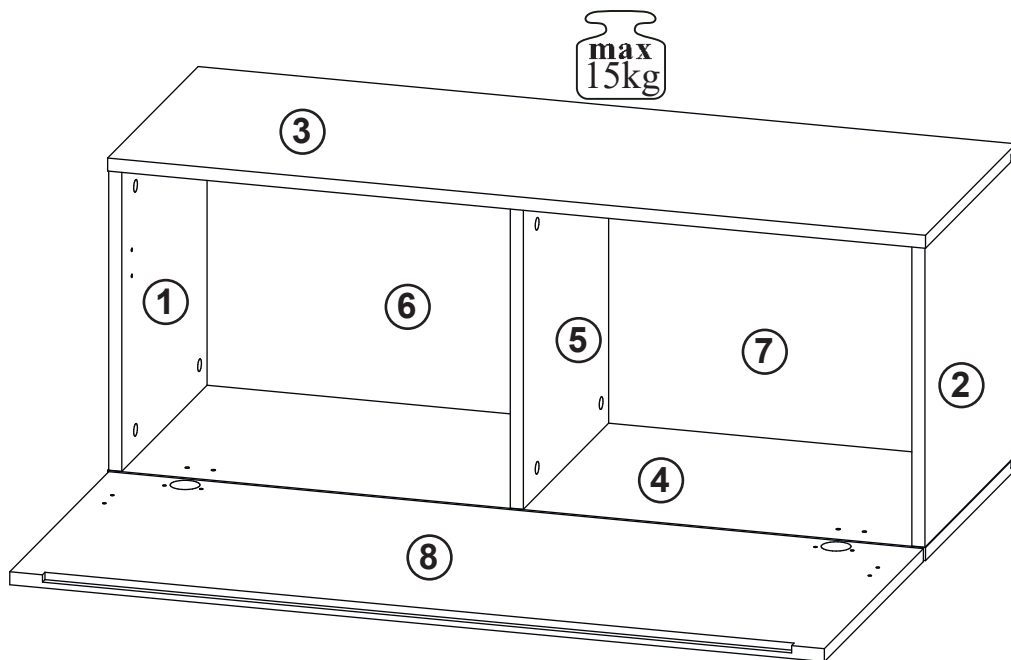
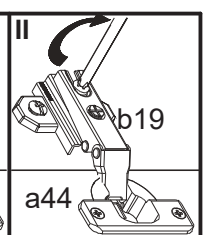
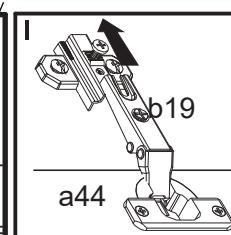
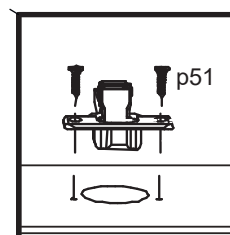
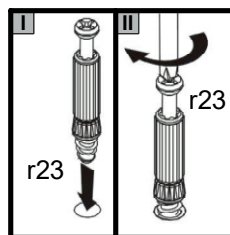
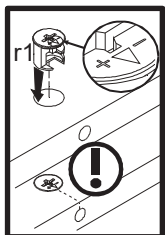
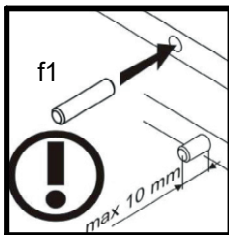
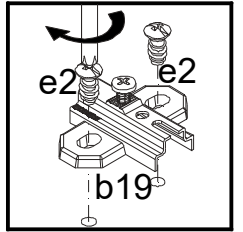
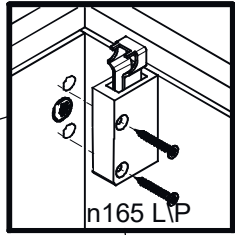
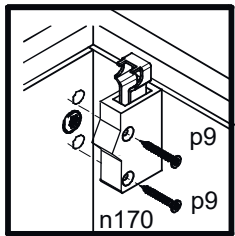
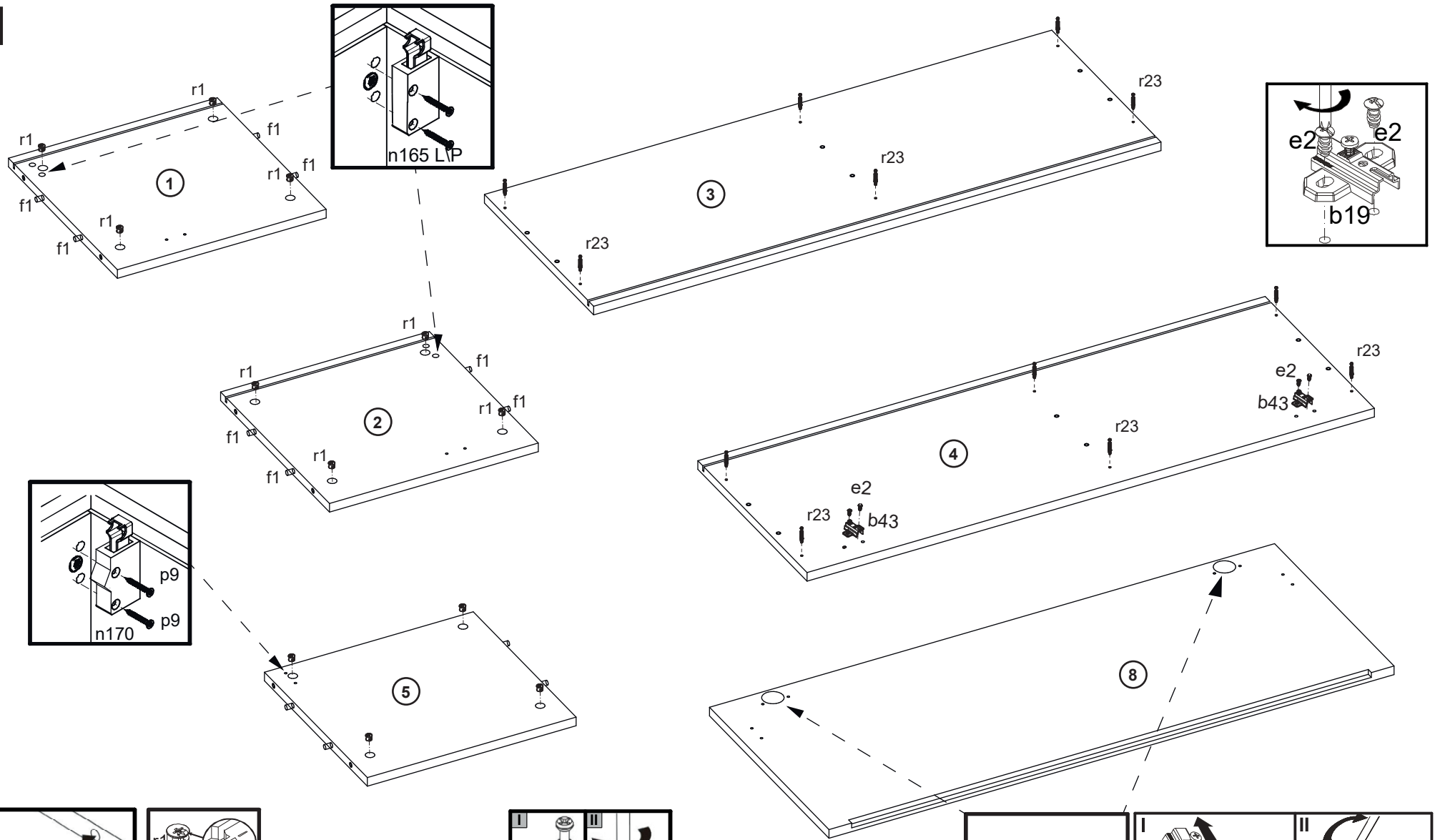


- | | | | | | | | | | | | | | | |
|------------------|---------------------------|-------------------------|---------------------------|--------------------|--------------------------|----------------|---------------|---------------|---------------------------|-----------------------------|----------------------------|-----------------------------|--------------|--|
| 1x n165/P | 1x n165/L | 3x b3 | 12x l2 | 2x L-236 m3 | 2x p9 φ4x30 mm | 1x n170 | 2x a44 | 2x b19 | 1x LED (opcja) o1* | 4x p51 φ3,5x16 mm | 15x p55 φ3x16 mm | 4x e2 φ 6,3x13 mm | 3x J1 | |
| 12x s2 | 12x r1 φ15x12mm | 12x r23 30/11 | 12x f1 φ8x30 mm | | | | | | | | | | | |

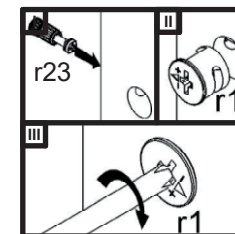
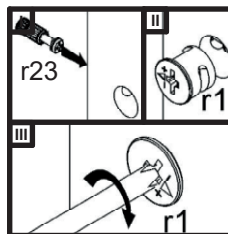
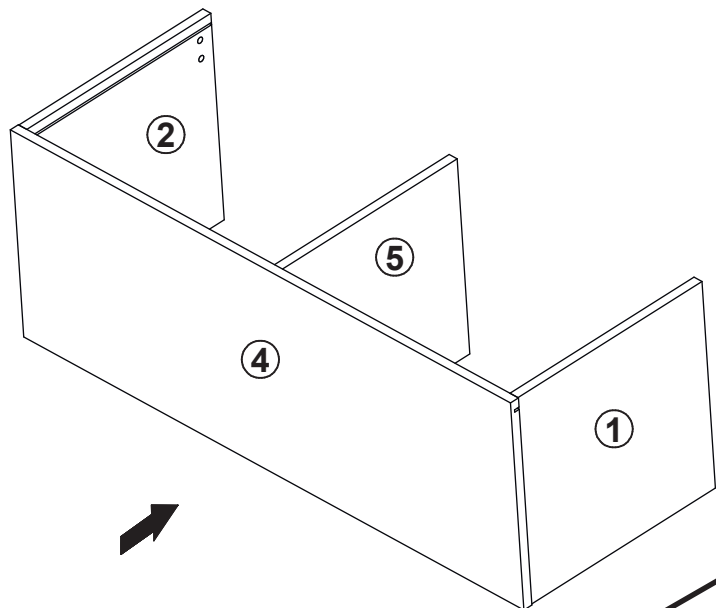


| A | B | C | (mm) | Colli |
|---|-----|------|------|-------|
| 1 | 001 | 368 | 361 | 1/1 |
| 2 | 002 | 368 | 361 | 1/1 |
| 3 | 003 | 1200 | 362 | 1/1 |
| 4 | 004 | 1200 | 362 | 1/1 |
| 5 | 005 | 368 | 341 | 1/1 |
| 6 | 006 | 382 | 490 | 1/1 |
| 7 | 007 | 382 | 490 | 1/1 |
| 8 | 008 | 1196 | 396 | 1/1 |

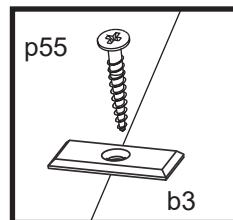
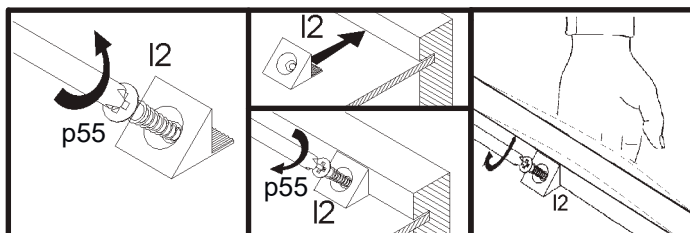
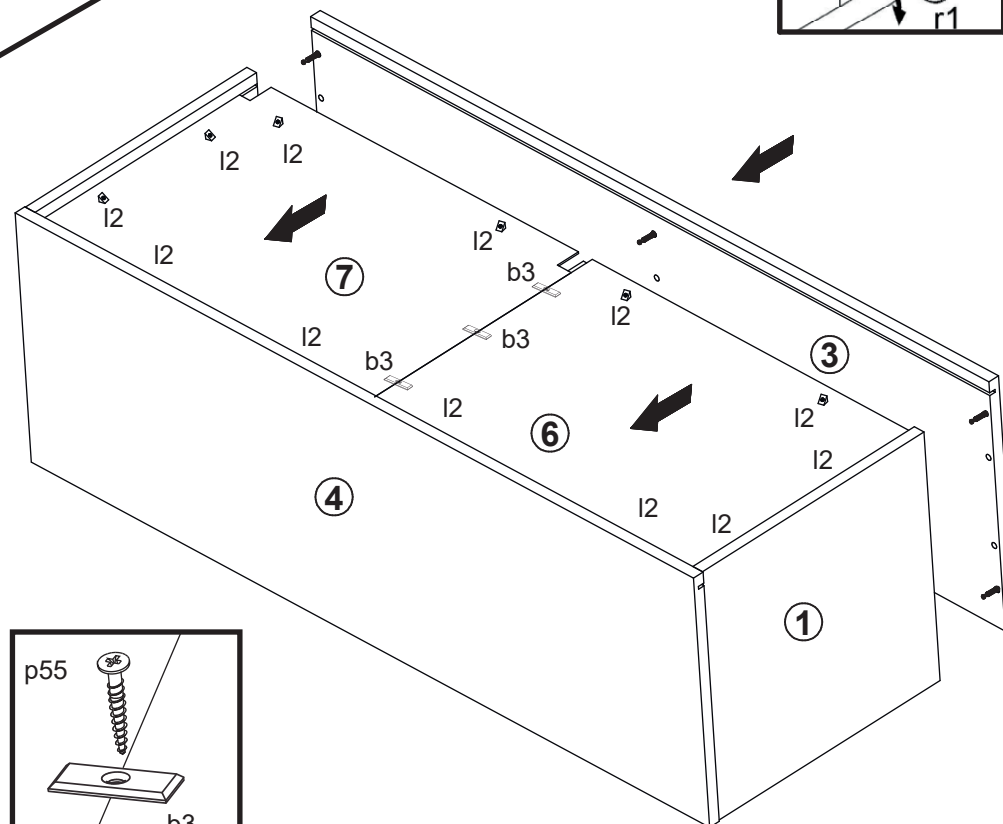
1



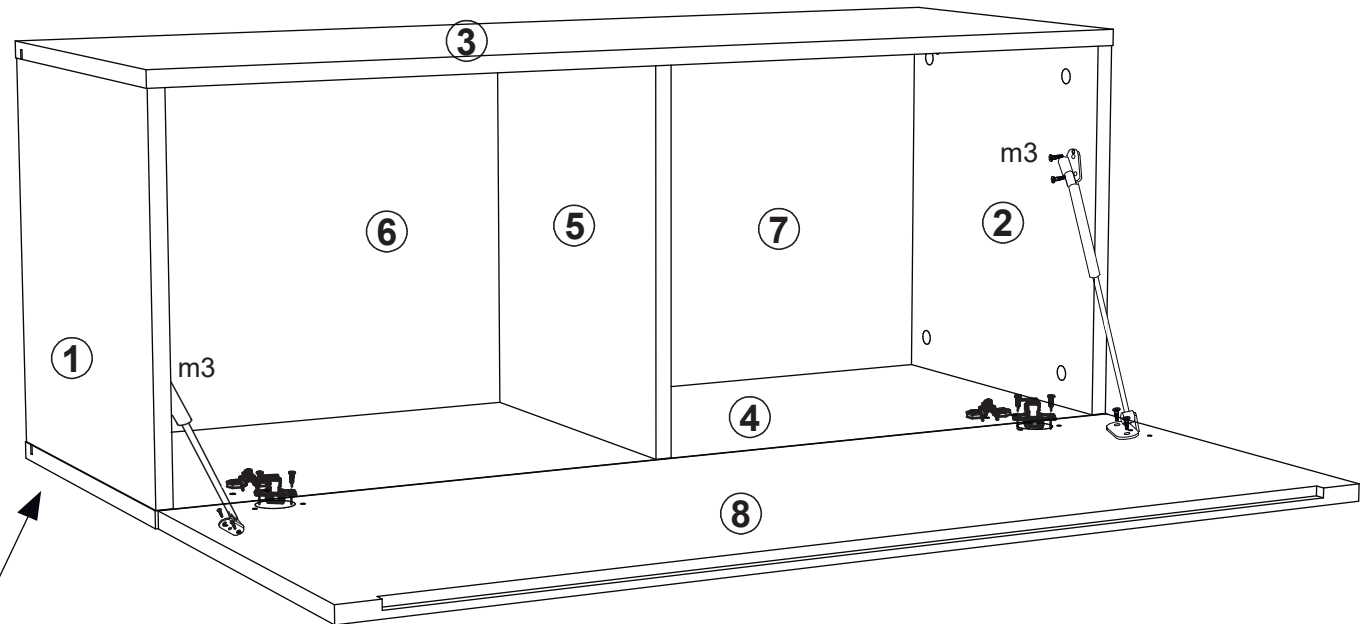
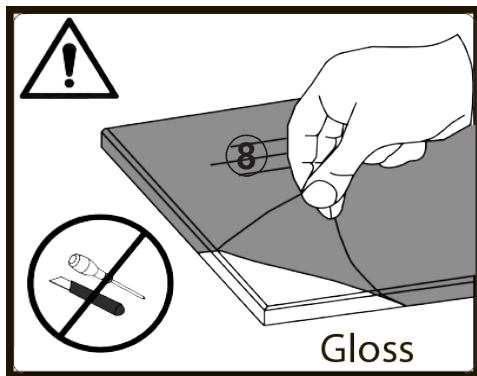
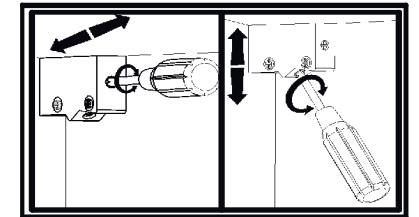
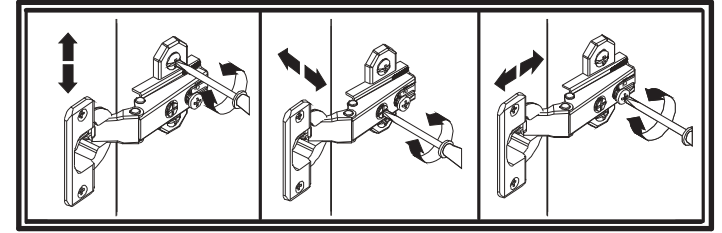
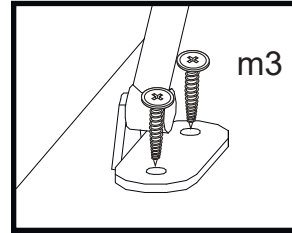
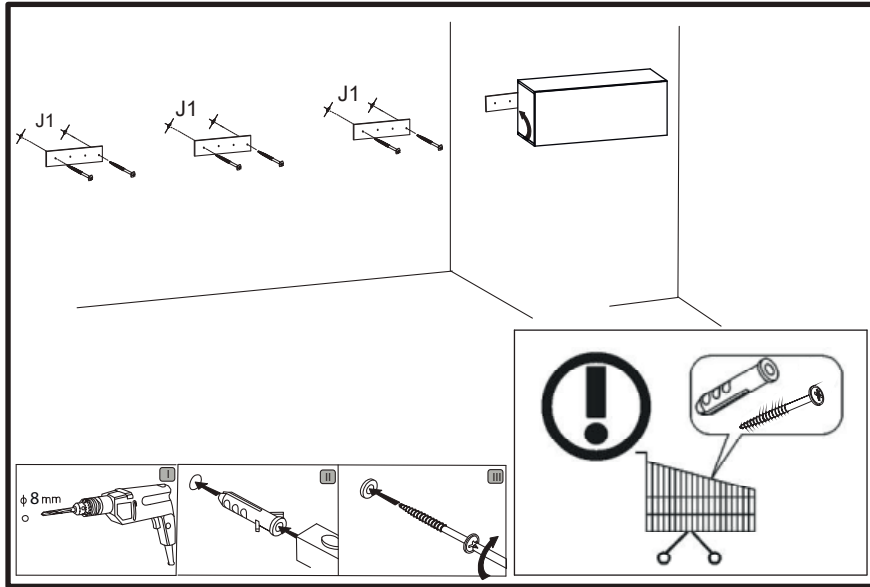
2



3



4



LED (opcja) 01*