


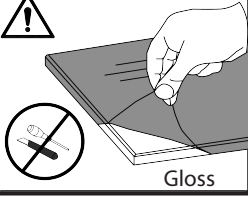










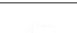



30 min

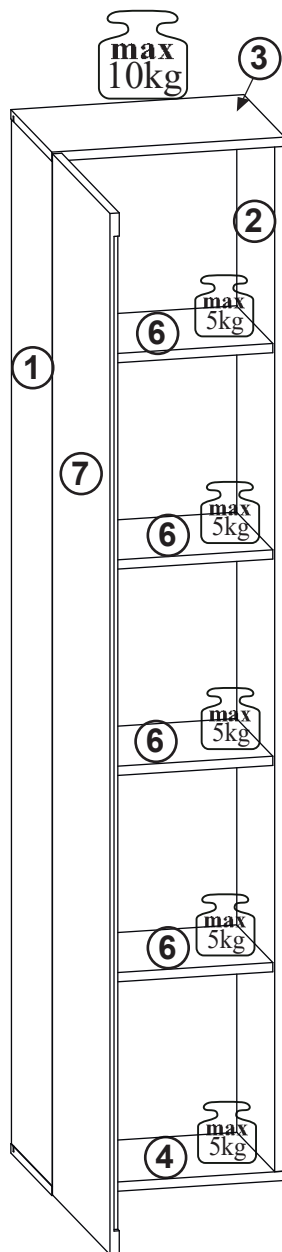
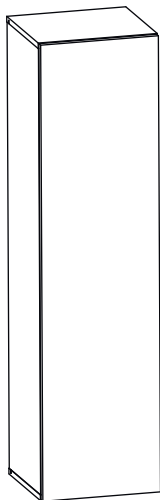



Gloss

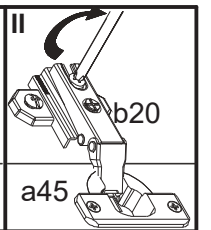
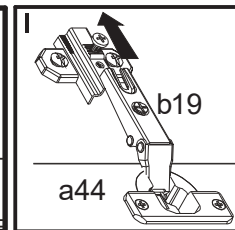
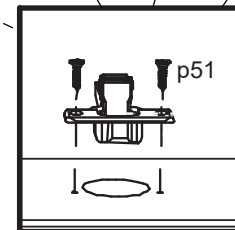
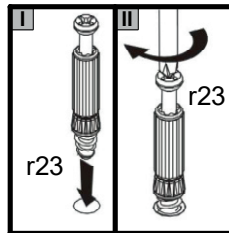
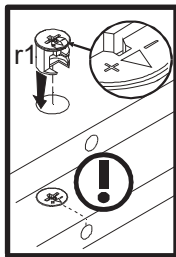
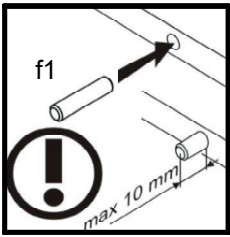
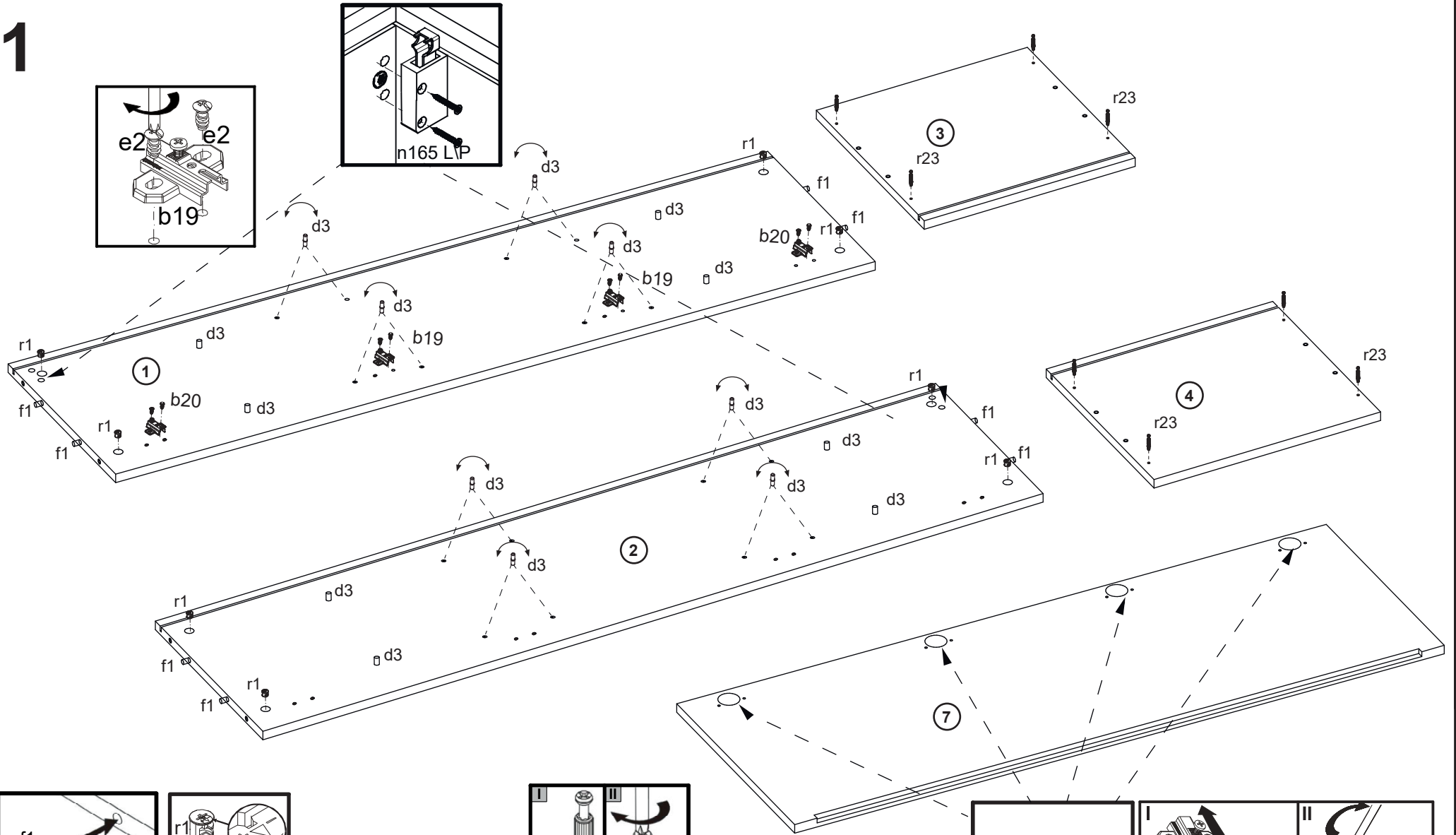


- | | | | | | | | | | | | |
|---|---|---|---|---|--|---|---|---|---|---|---|
| 1x | 1x | 16x | 12x | 2x | 2x | 2x | 2x | 8x | 6x | 12x | 6x |
|  |  |  |  |  |  |  |  |  |  |  |  |
| n165/P | n165/L | f5mm
d3 | I2 | J1 | a45
<small>soft close</small> | b20
<small>soft close</small> | a44
<small>soft close</small> | s2 | p51
<small>φ3.5x16 mm</small> | p55
<small>φ3x16 mm</small> | e2
<small>φ 6.3x13 mm</small> |
| | | | | | | | | | r1
<small>φ15x12mm</small> | r23
<small>30/11</small> | f1
<small>φ8x30 mm</small> |

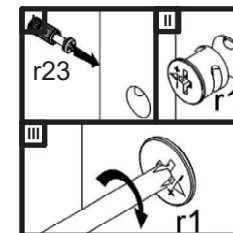
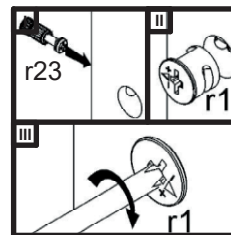
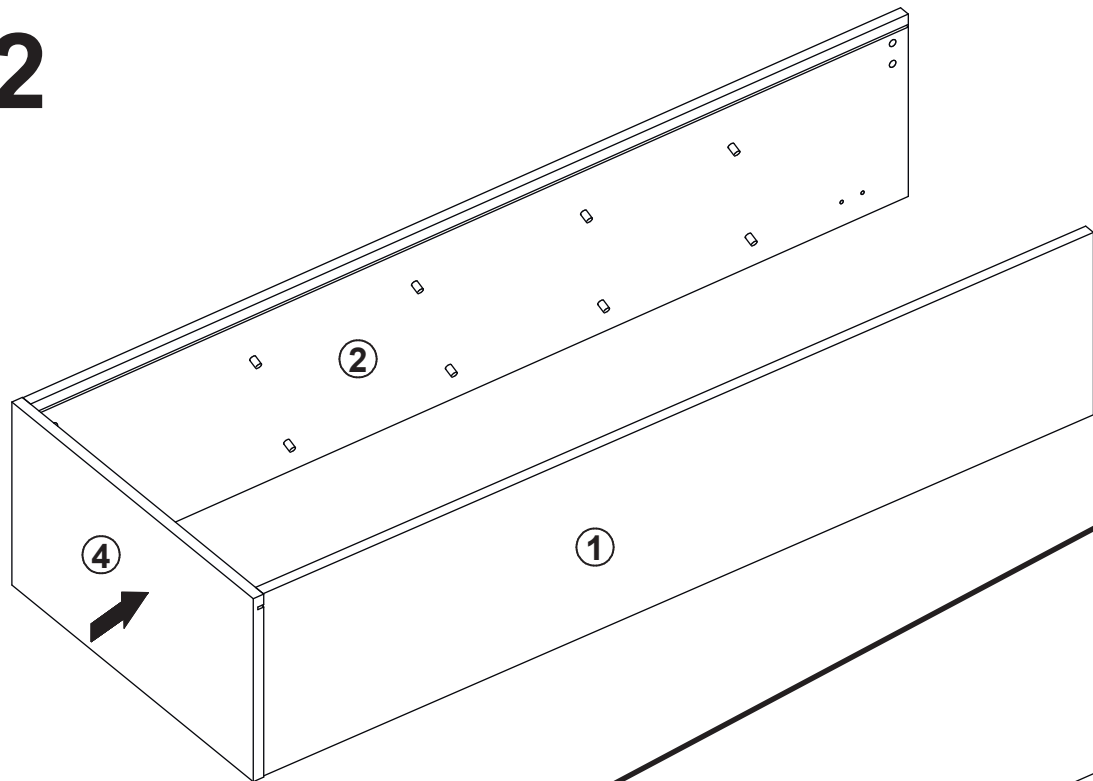


A	B	C (mm)		Colli
1	001	1768	281	1/1
2	002	1368	281	1/1
3	003	400	282	1/1
4	004	400	282	1/1
5	005	1782	380	1/1
6	006	365	250	1/1
7	007	1796	396	1/1

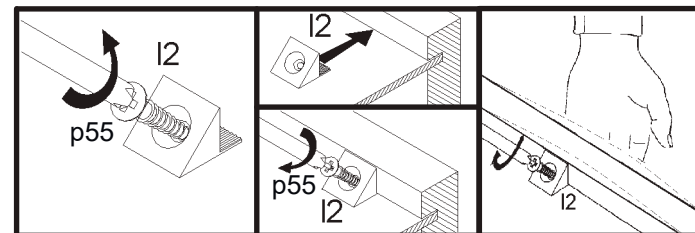
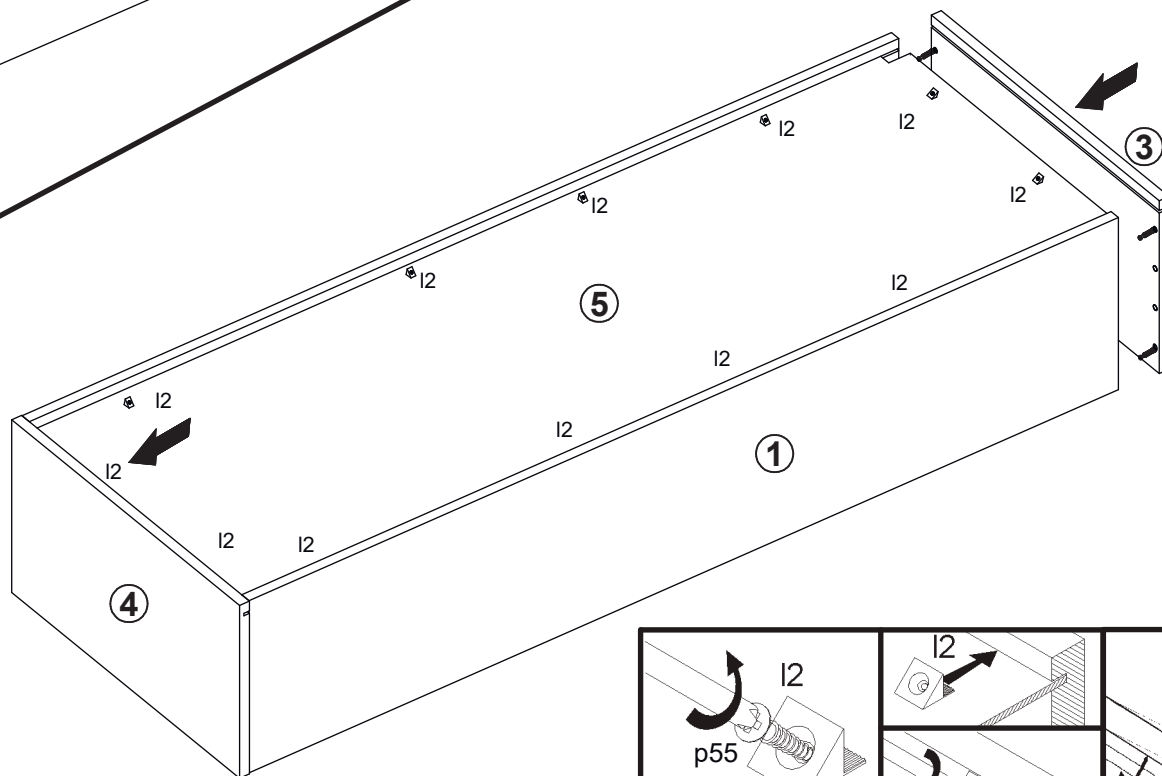
1



2



3



4

