

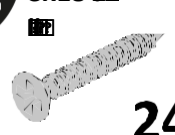


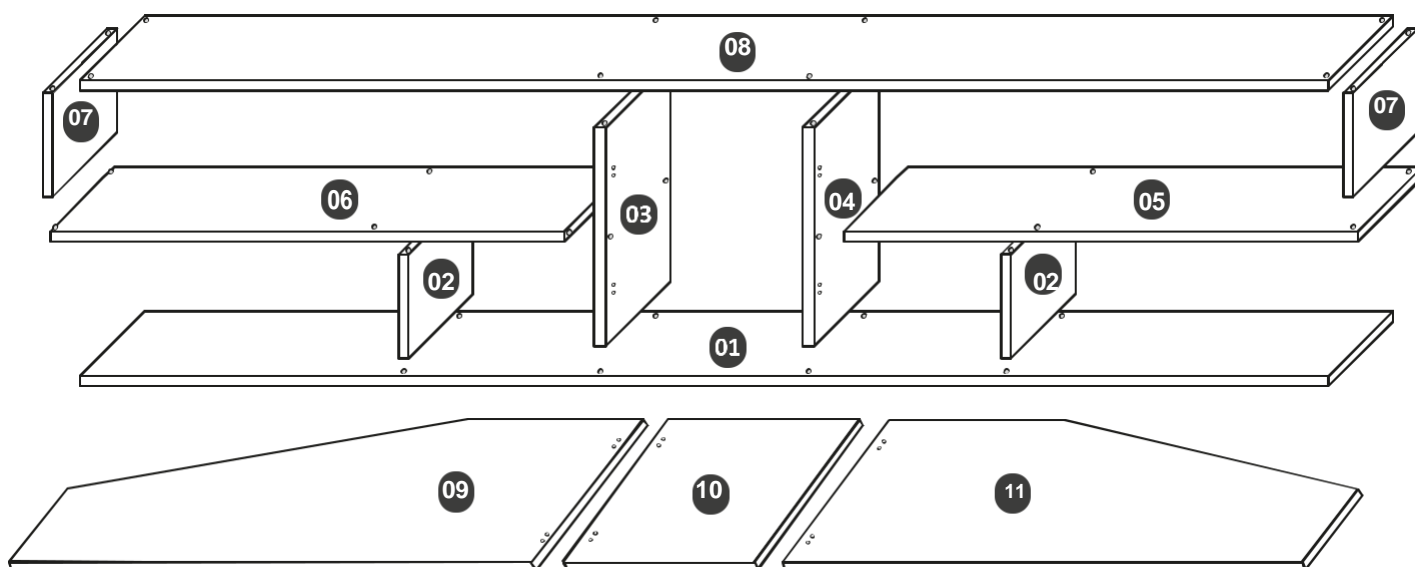


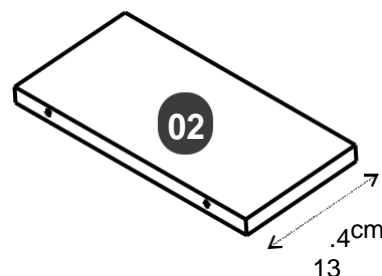
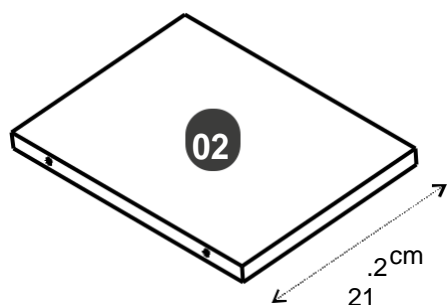
Seznam dílů /Zoznam dielov

<p>A01 4x50 a</p>  <p>28x</p>	<p>A02 W</p>  <p>6x</p>	<p>A03 3x18 a</p>  <p>24x</p>	<p>A04</p> 	<p>A05</p>  <p>20x</p>
---	--	--	--	---

PARTS

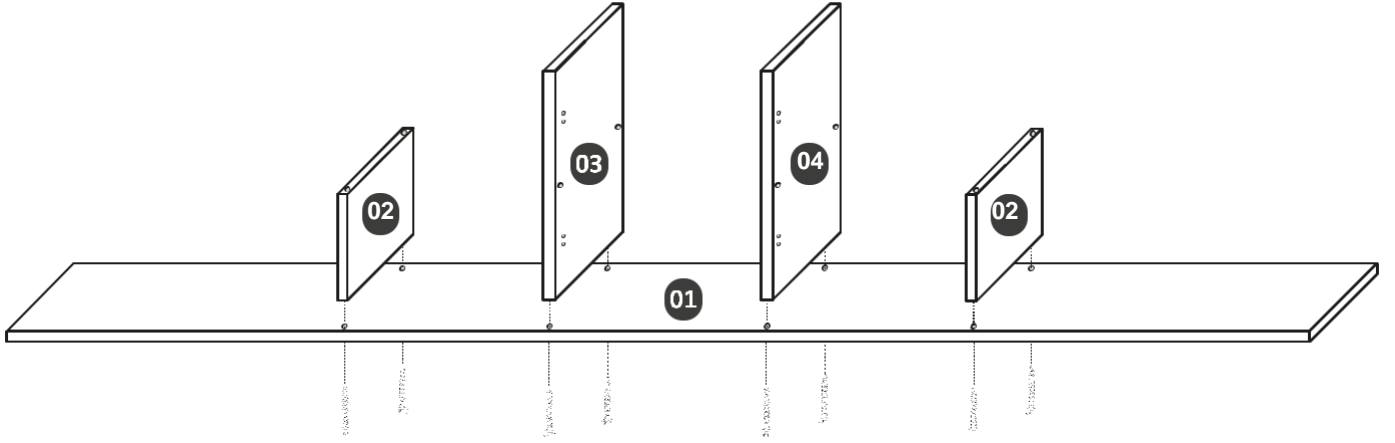


Note : Part 03 has pre-drilled holes on both sides.



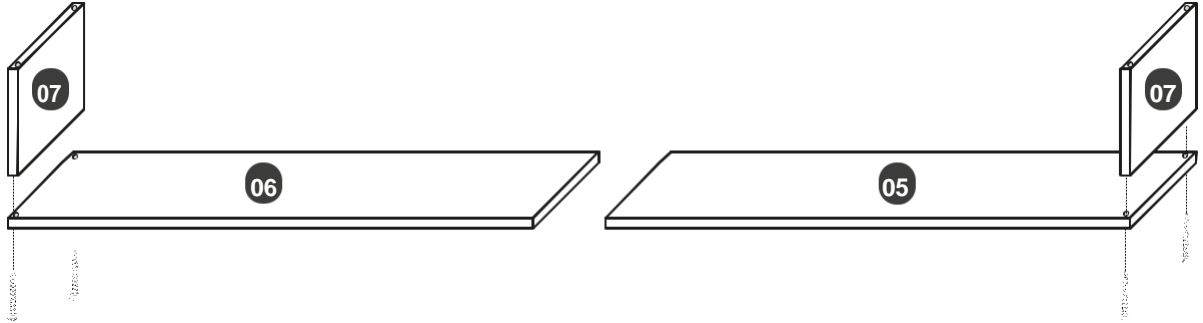
Assembly Guide

STEP 1

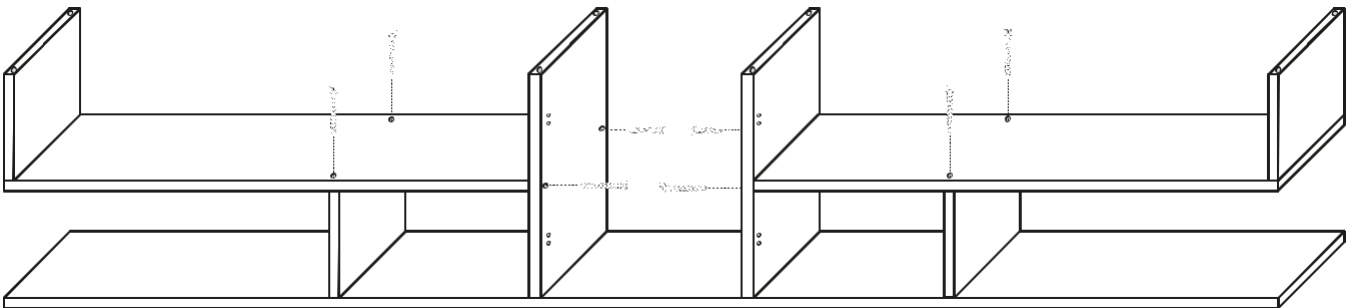


*3 numaralı parçalardaki iz delikleri tv ünitesinin ön tarafında olmalıdır.
*Please notice the pre-drilled holes on the pieces #3. The holes should be installed on front side so that you can install the doors correctly.

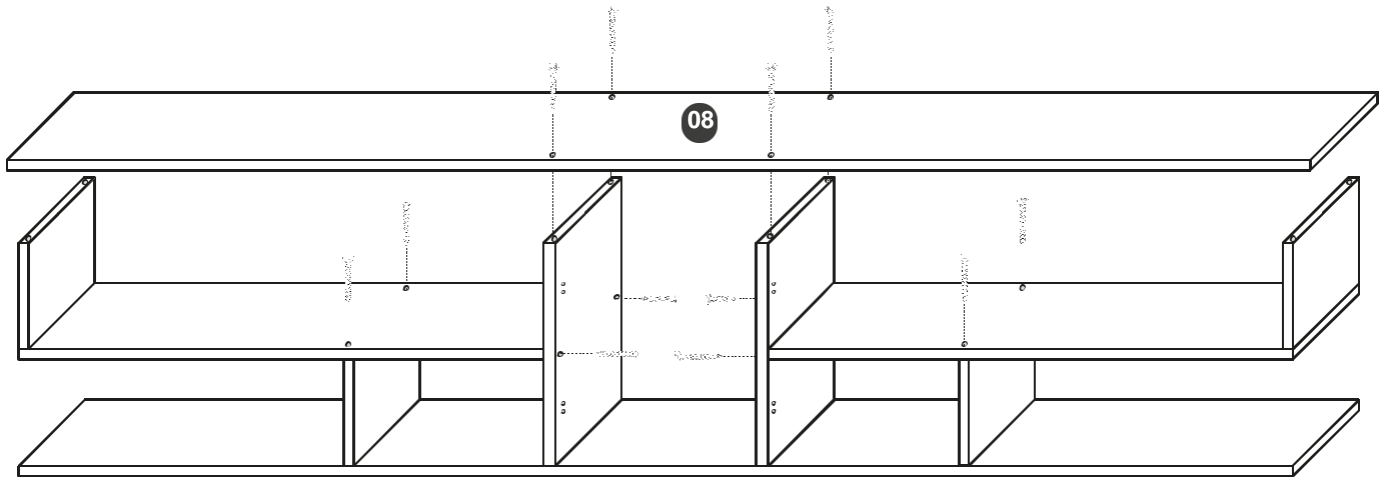
STEP 2



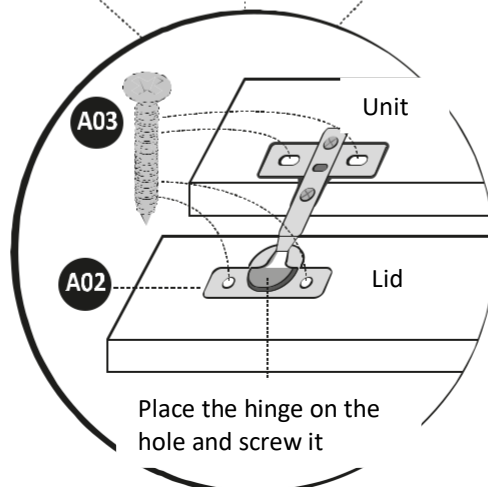
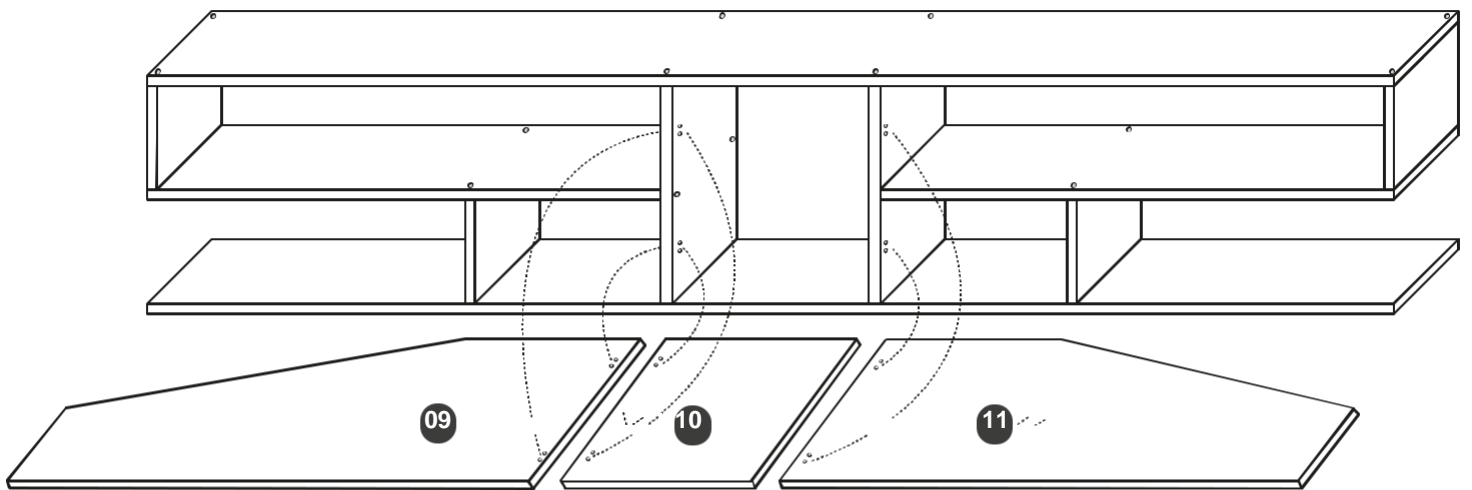
STEP 3



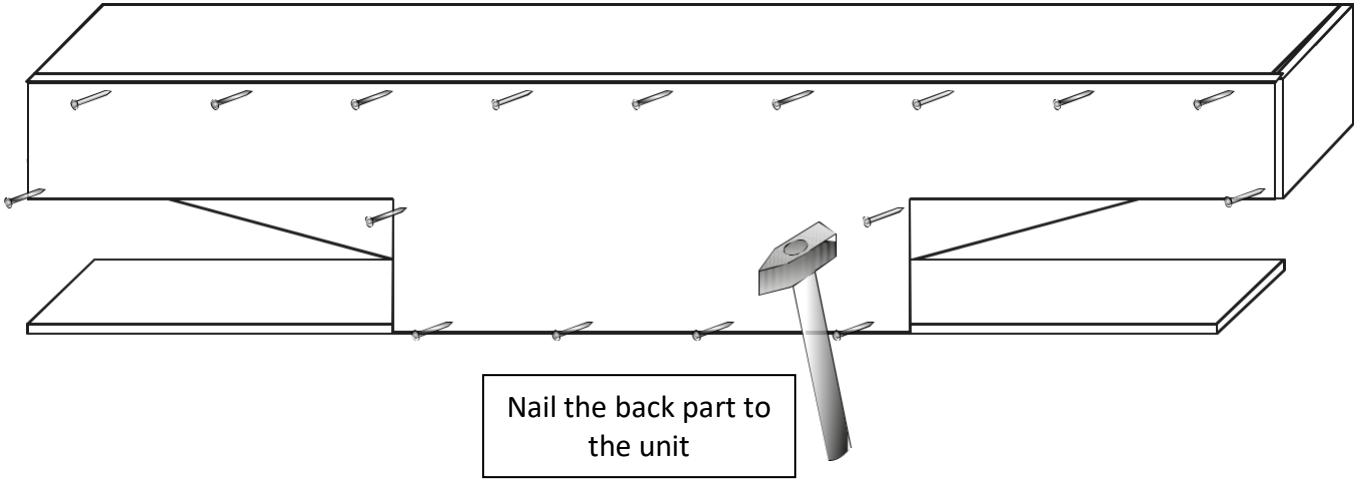
STEP 4



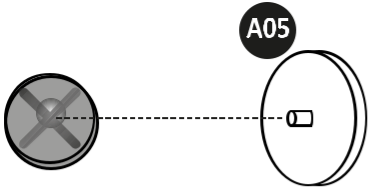
STEP 5



STEP 6



STEP 7



Cover the screws with plugs.

DECOROTIKA

İLETİŞİM
0286 316 54 24 info@decorotika.com

"Onlarca model ve cazip fiyat avantajları bir tık uzaklıkta"

www.decorotika.com