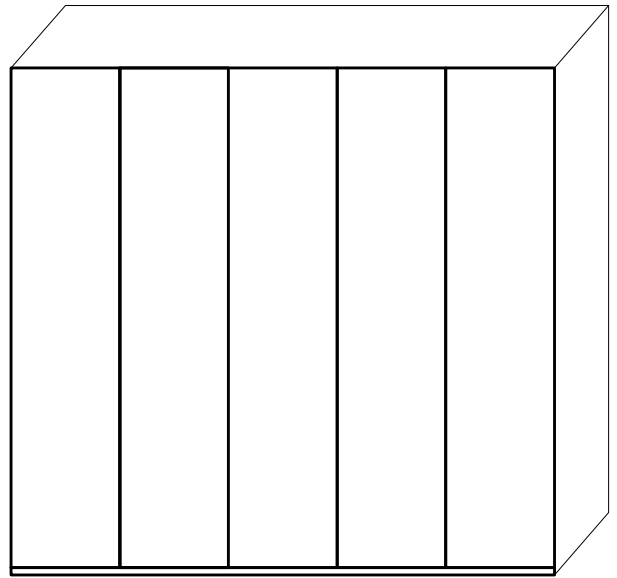
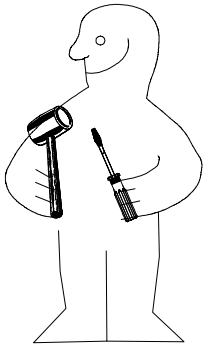
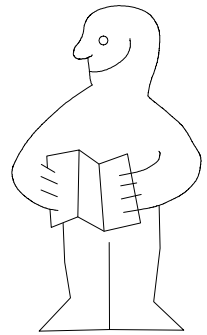
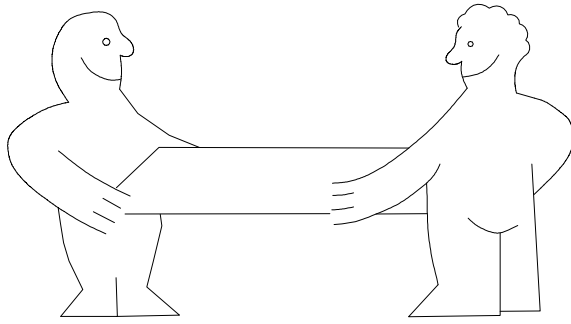
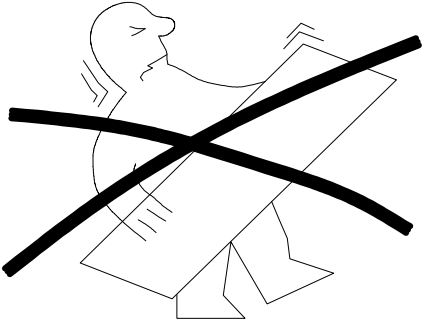


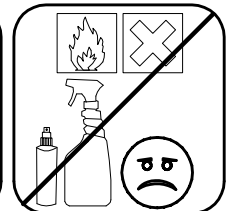
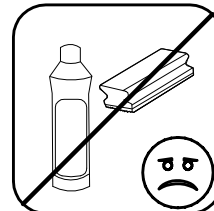
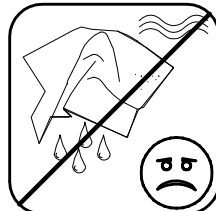
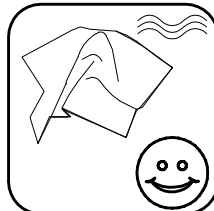
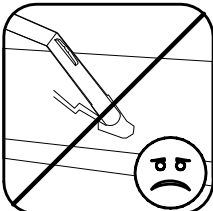
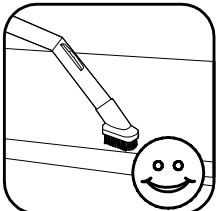
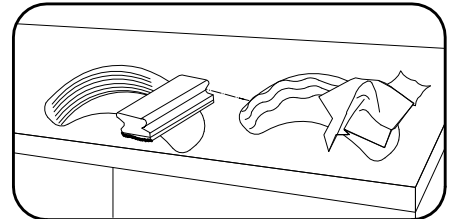
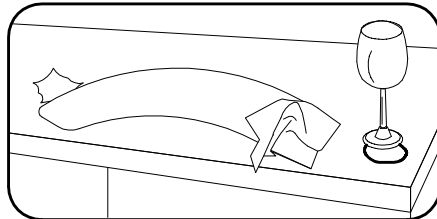
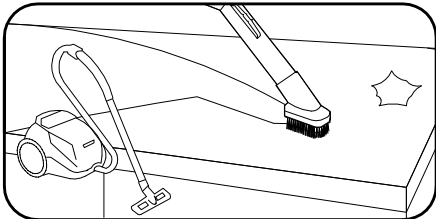
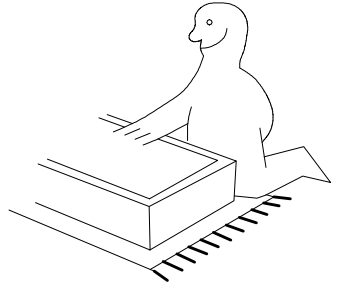
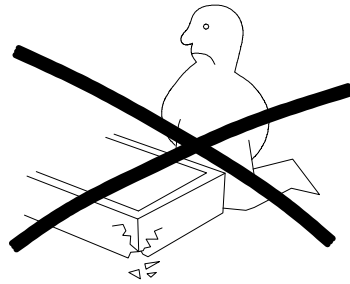
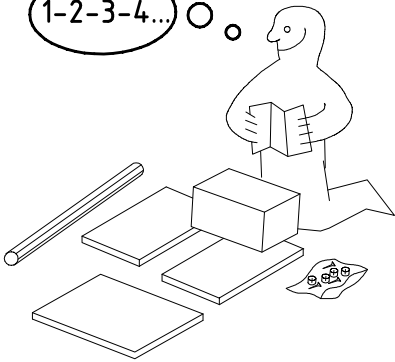
980345



NSP 225



1-2-3-4... ○


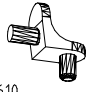
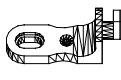


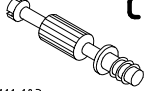
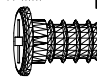
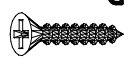
980345

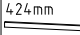


20.12.04 / 29.11.19


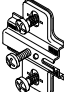
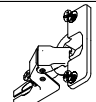
11 19

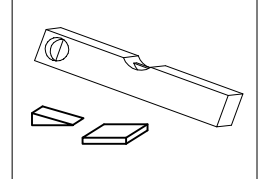
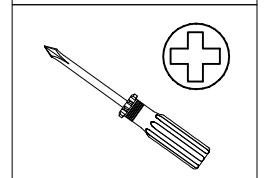
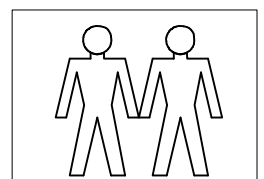
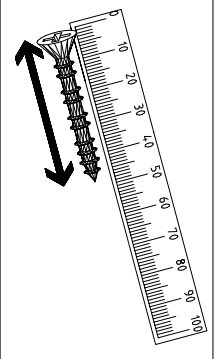
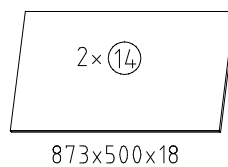
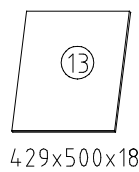
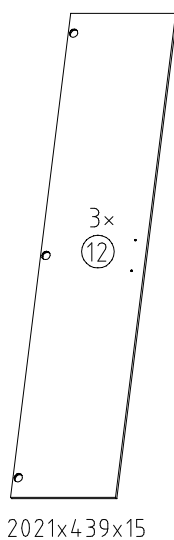
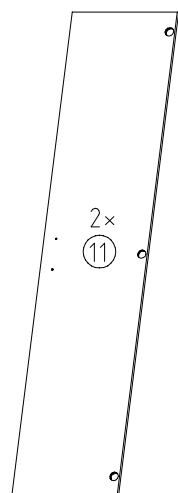
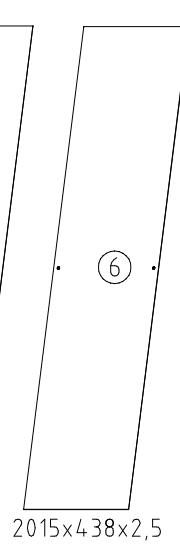
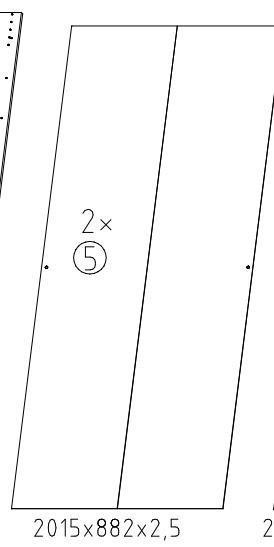
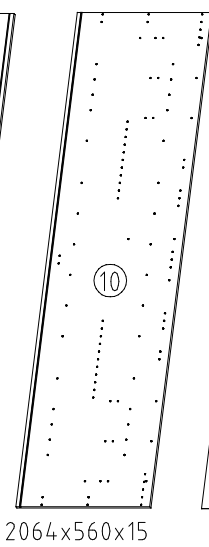
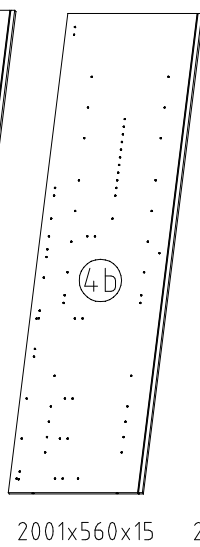
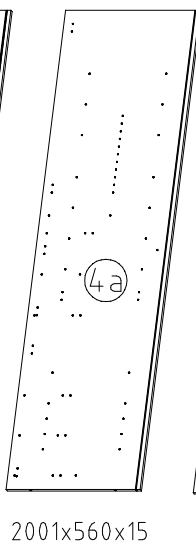
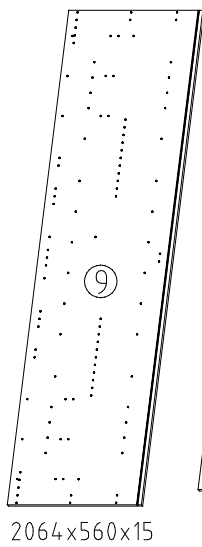
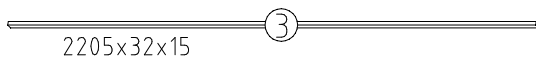
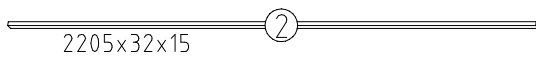
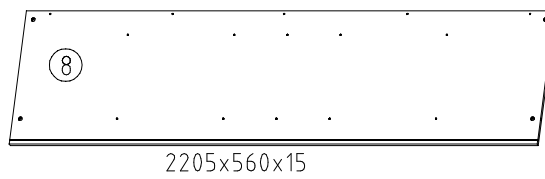
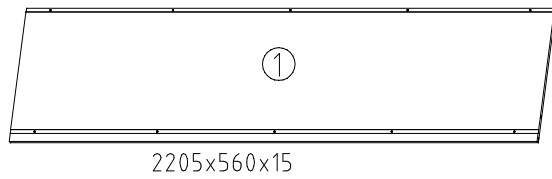
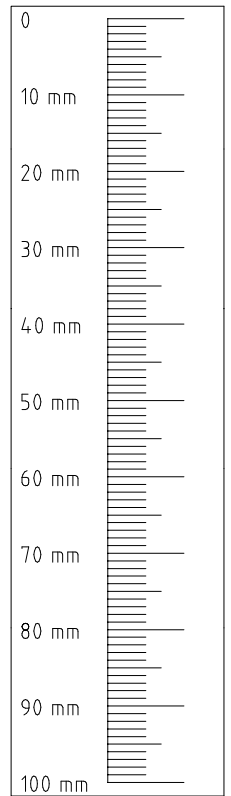
1/9

 111 102	<b>A</b> 16x
 111 610	<b>L7</b> 12x
 111 174	<b>J1</b> 6x

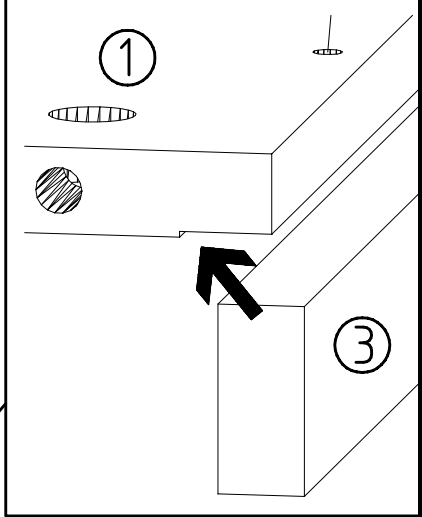
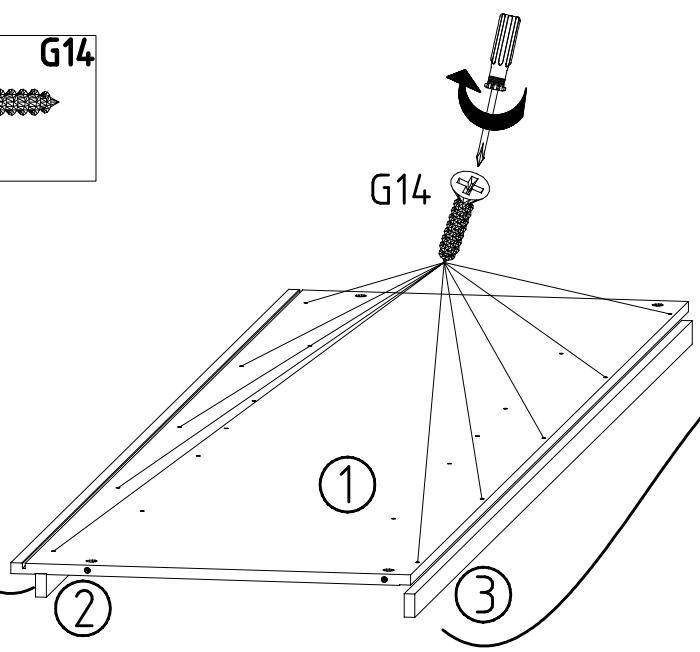
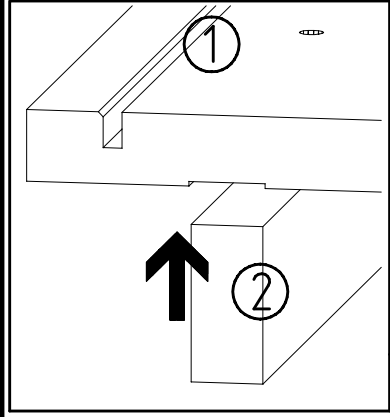
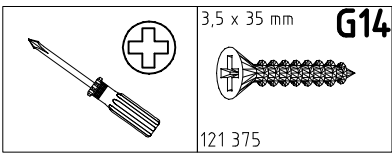
 111 103	<b>C</b> 16x
M6 x 11 mm  121 181	<b>T6</b> 6x
3,5 x 35 mm  121 375	<b>G14</b> 12x

424mm  112 403	<b>K21</b> 1x
870mm  112 402	<b>K20</b> 2x
3,5 x 15 mm  121 370	<b>G1</b> 12x

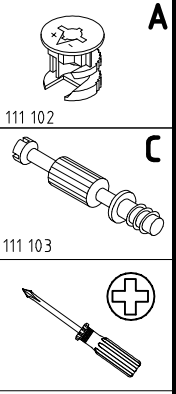
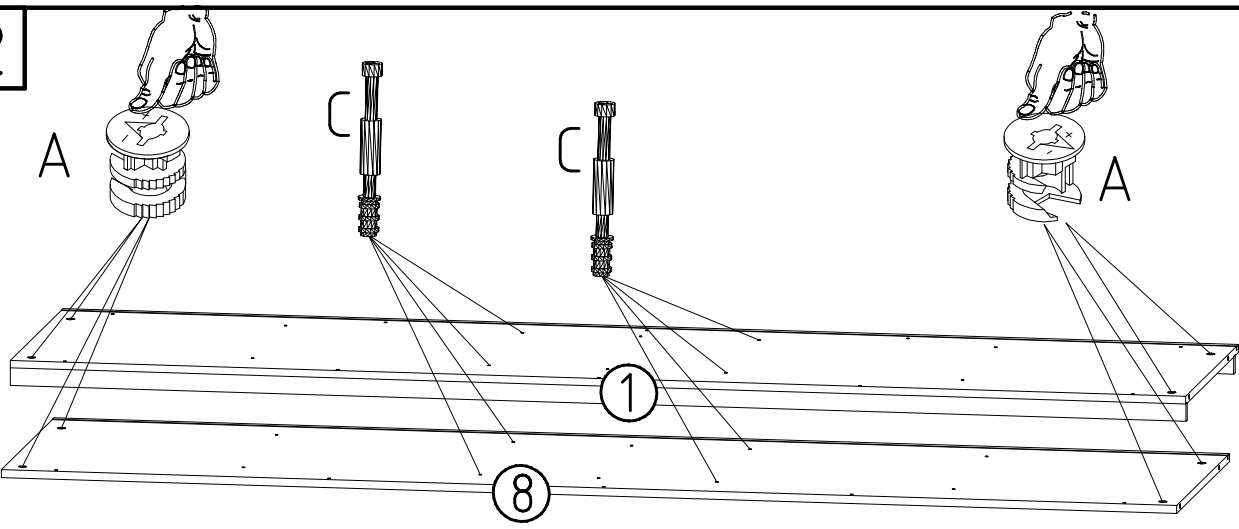
 117 001	<b>K1</b> 6x
 112 268	<b>M</b> 15x
 112 267	<b>N</b> 15x



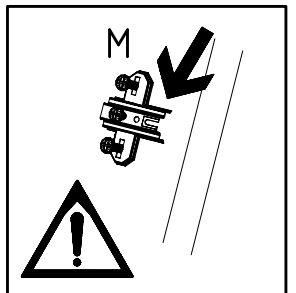
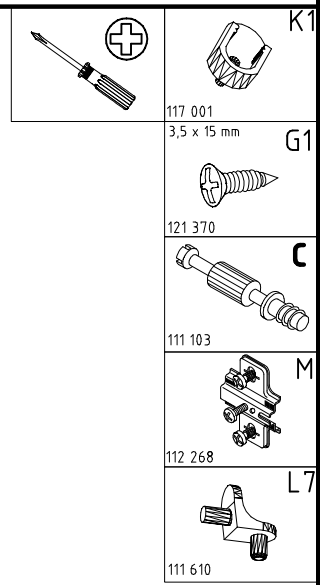
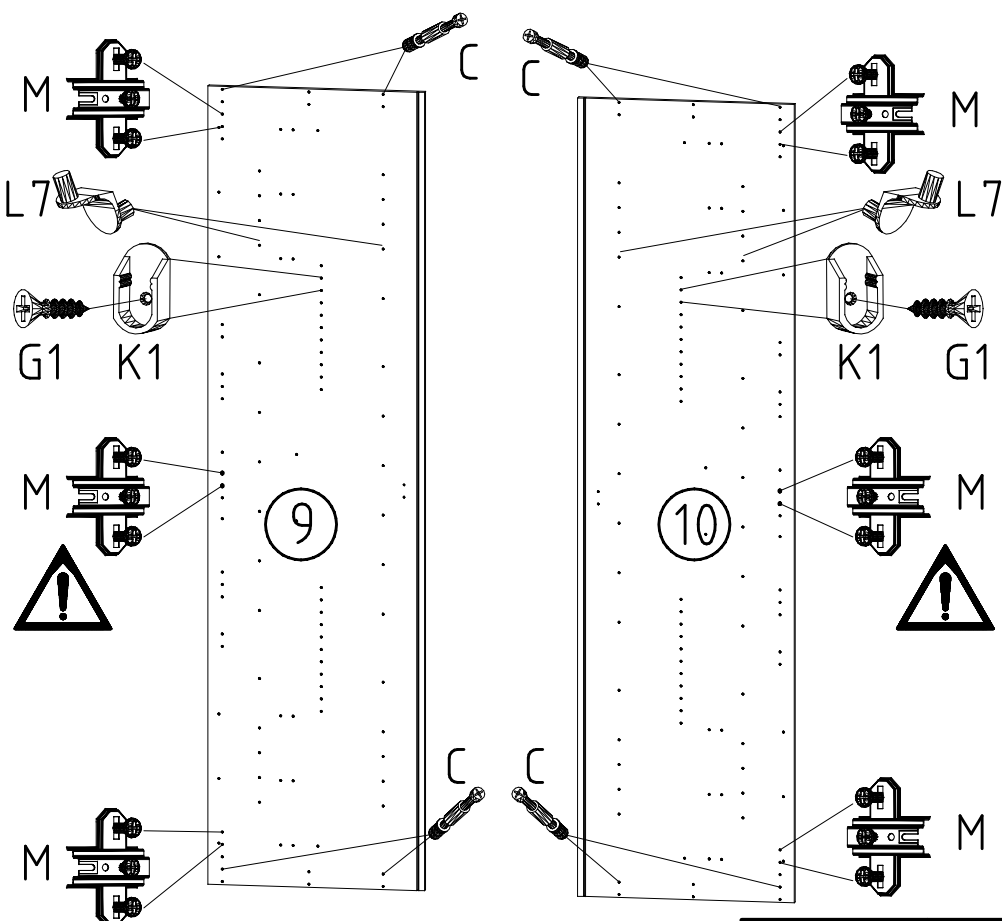
1



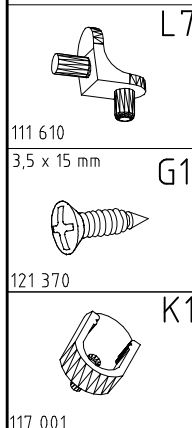
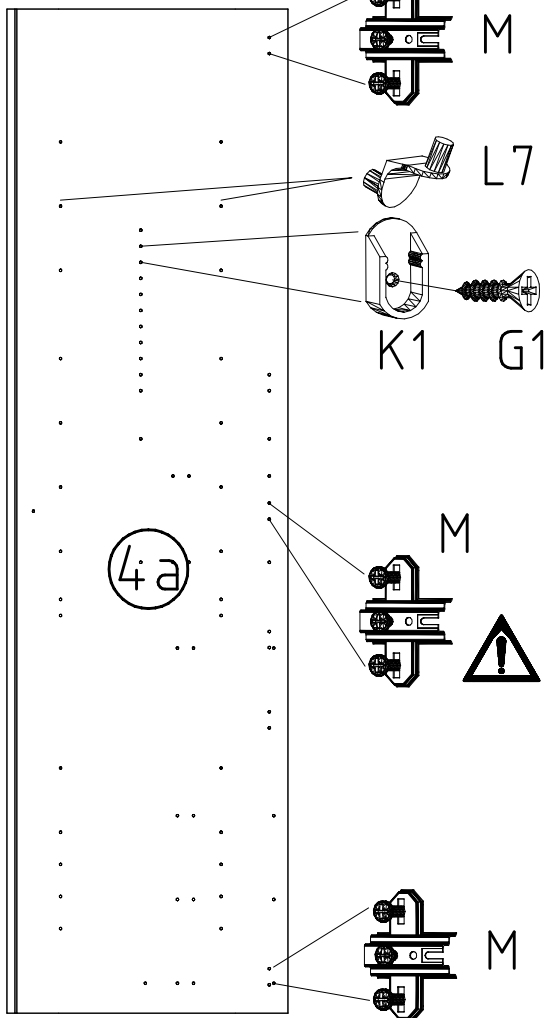
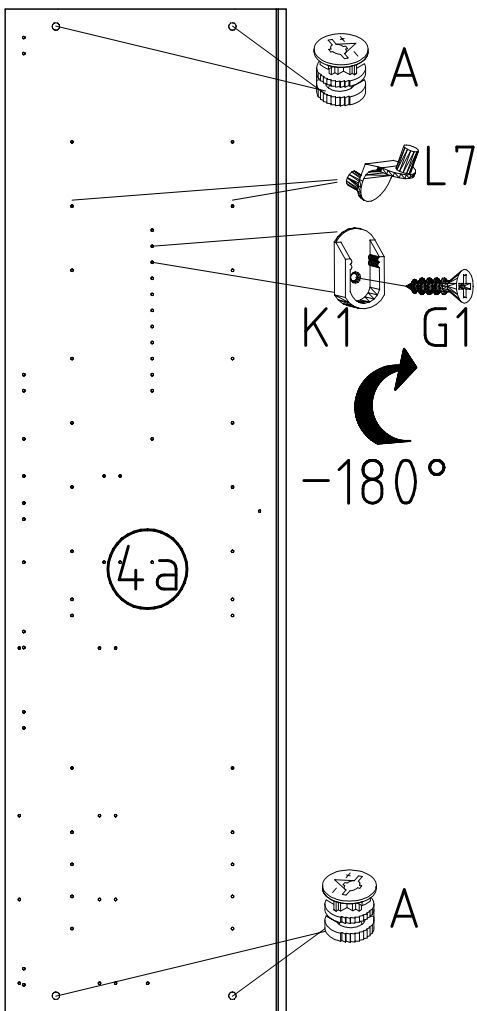
2



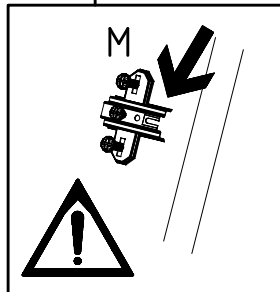
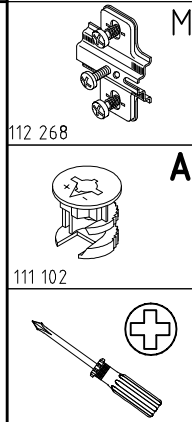
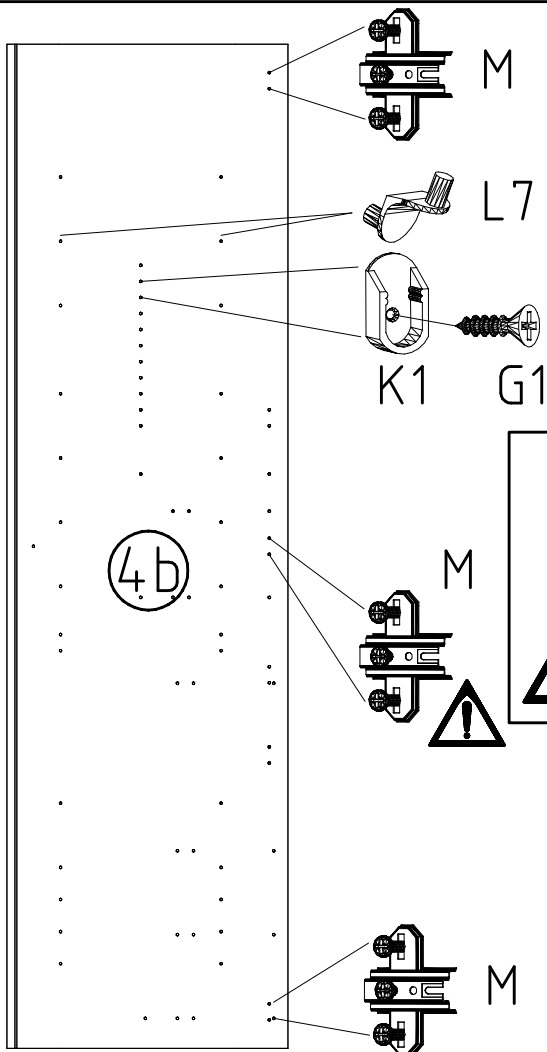
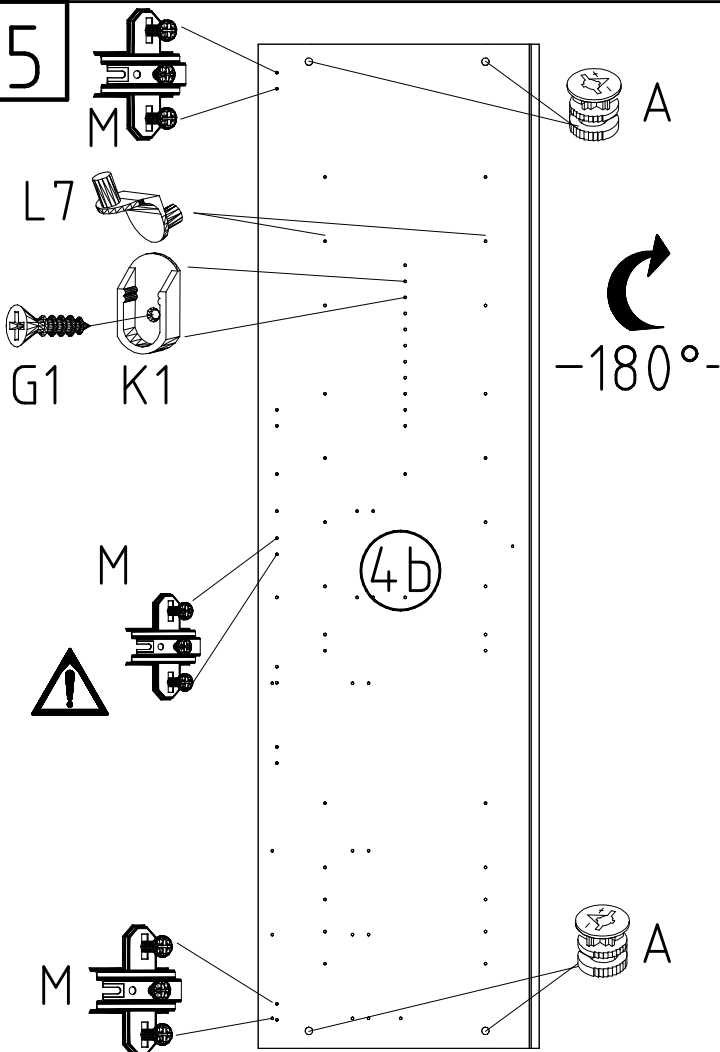
3

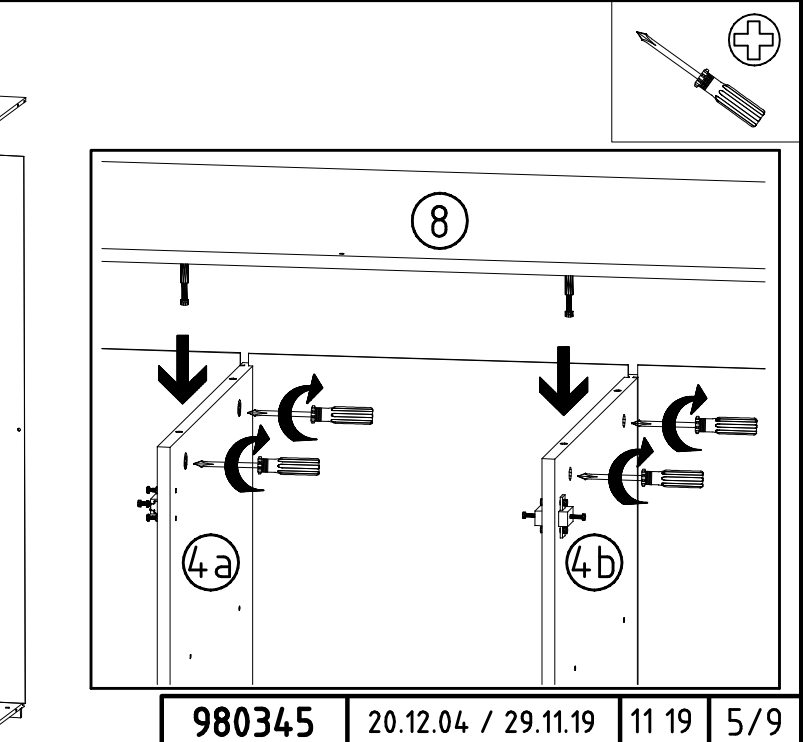
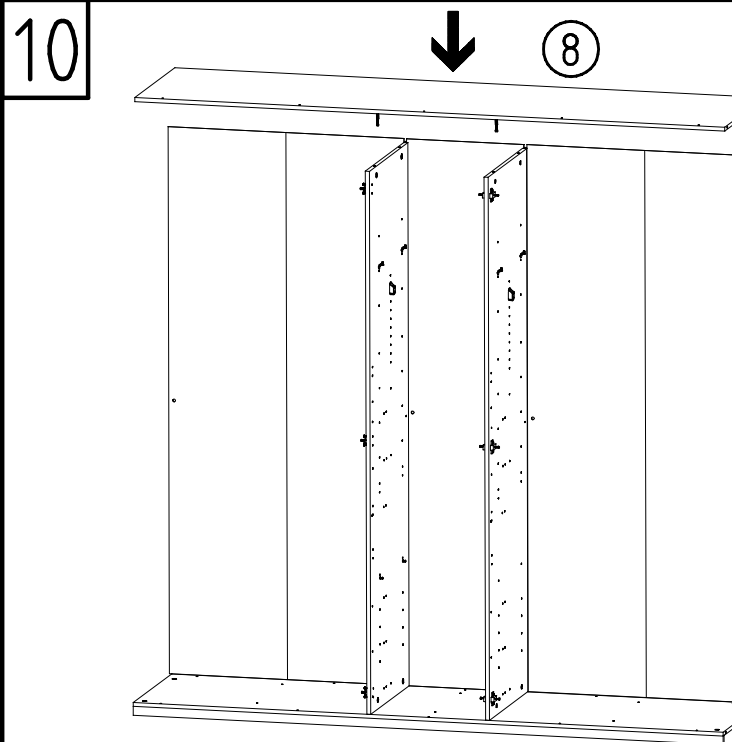
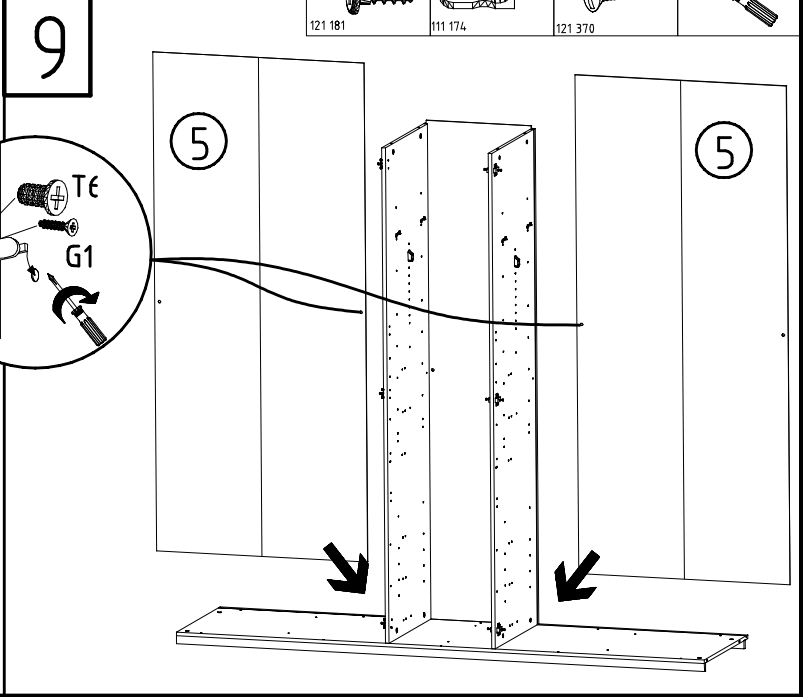
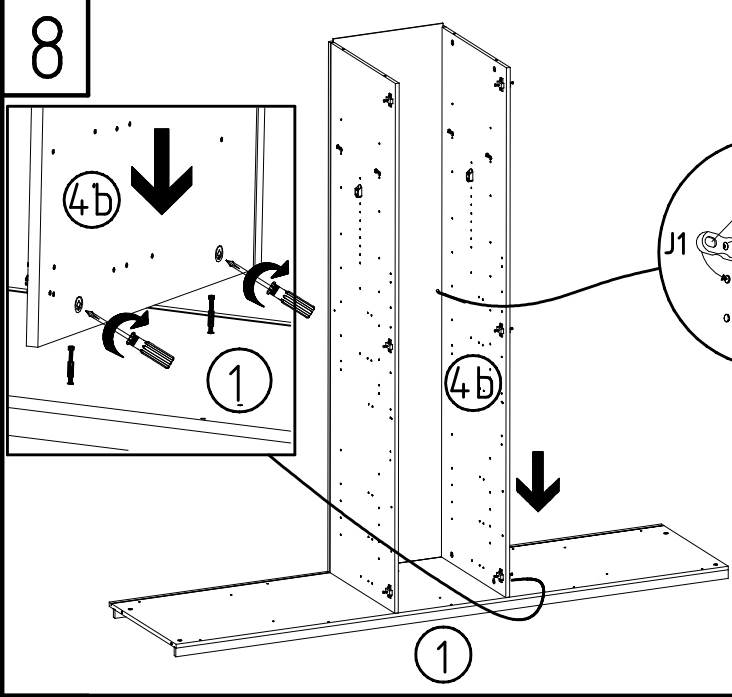
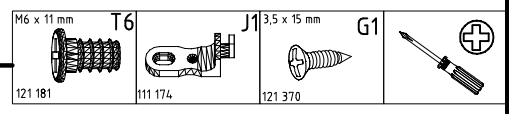
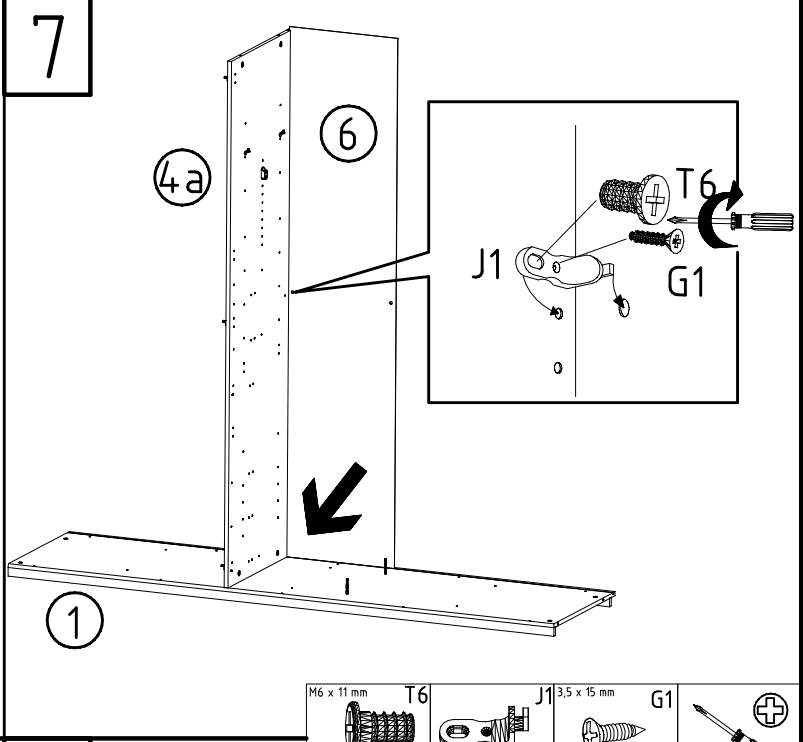
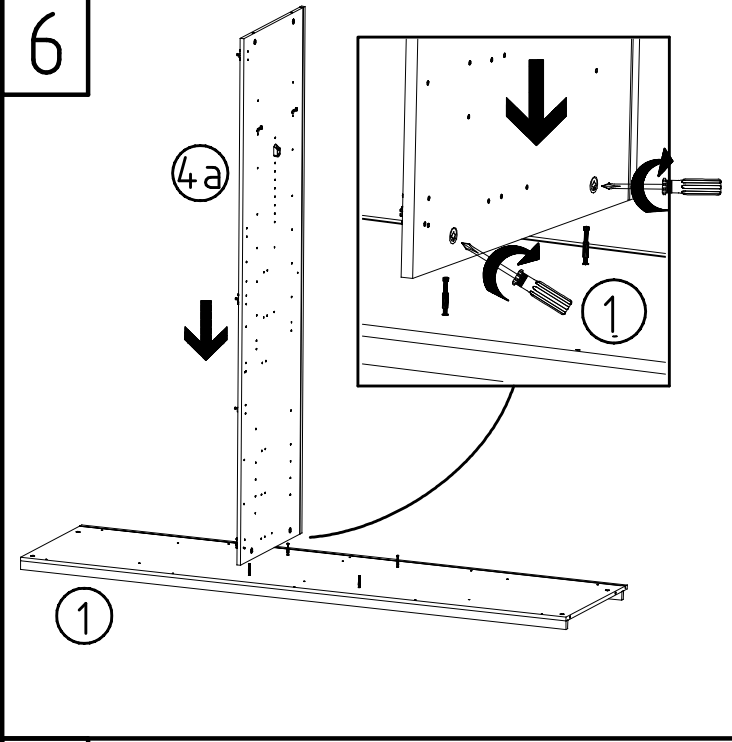


4

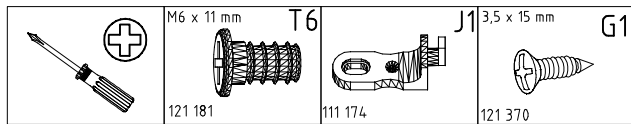
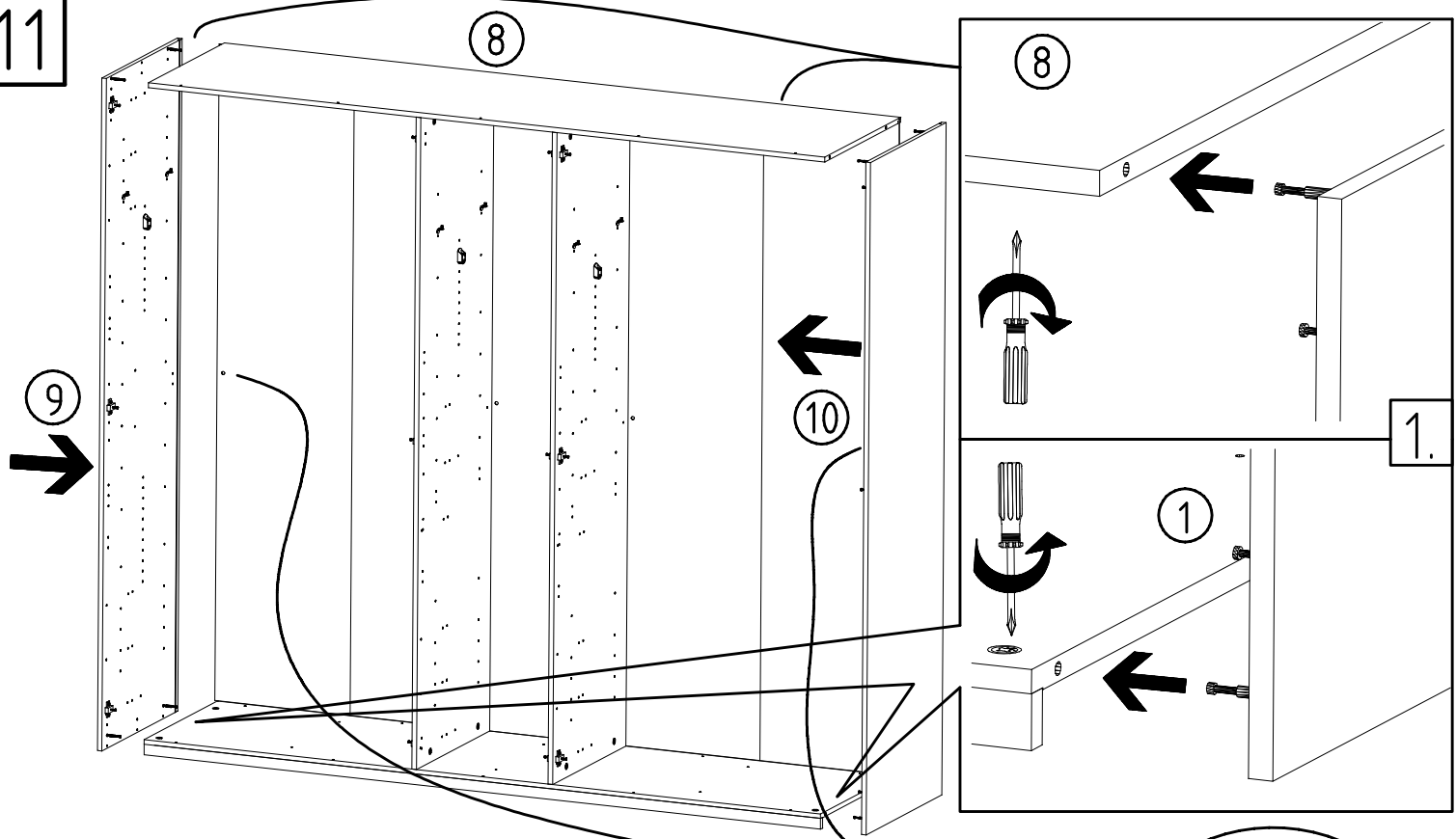


5

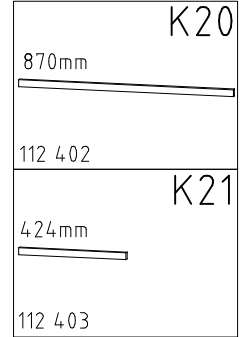
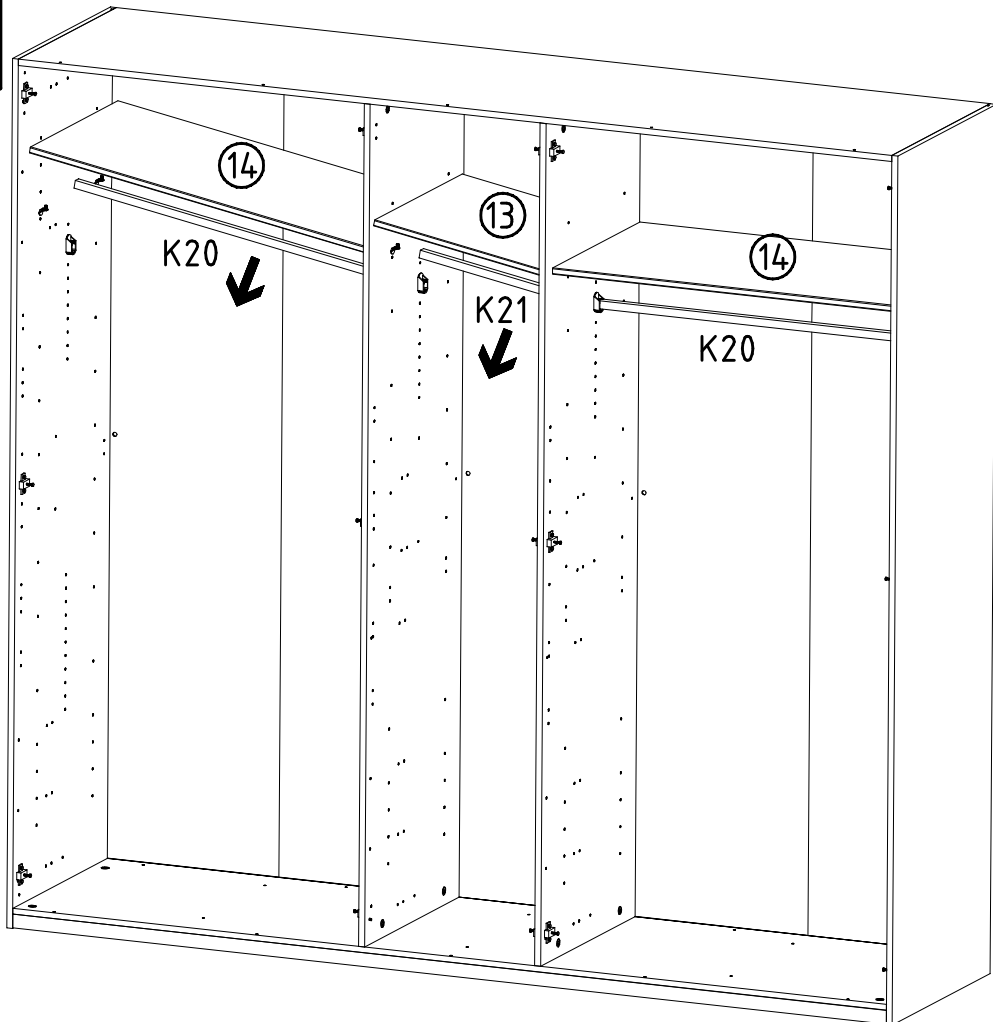




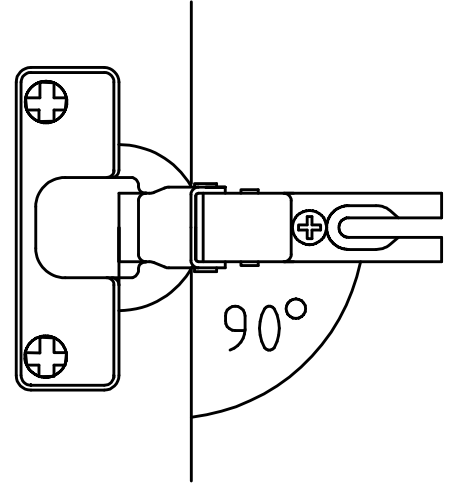
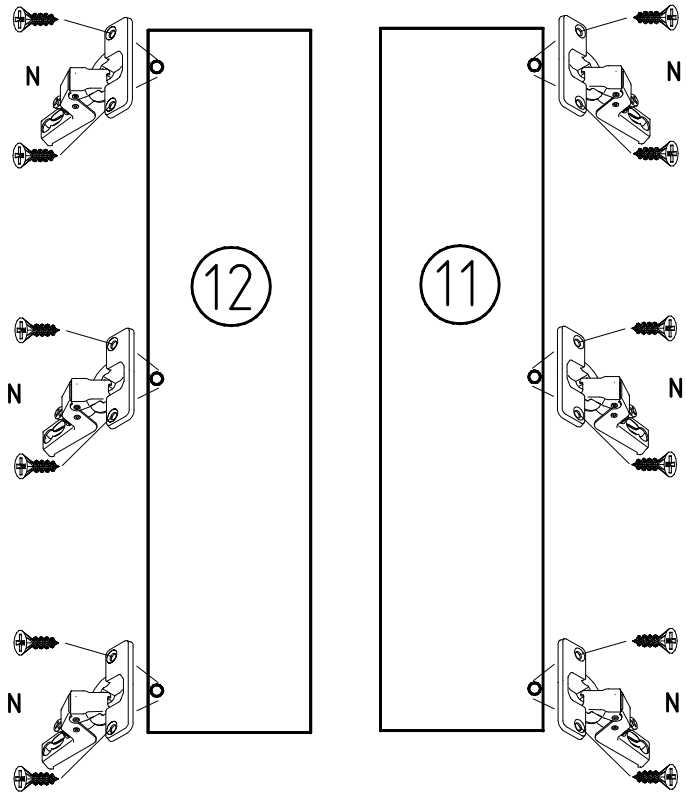
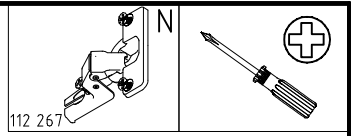
11



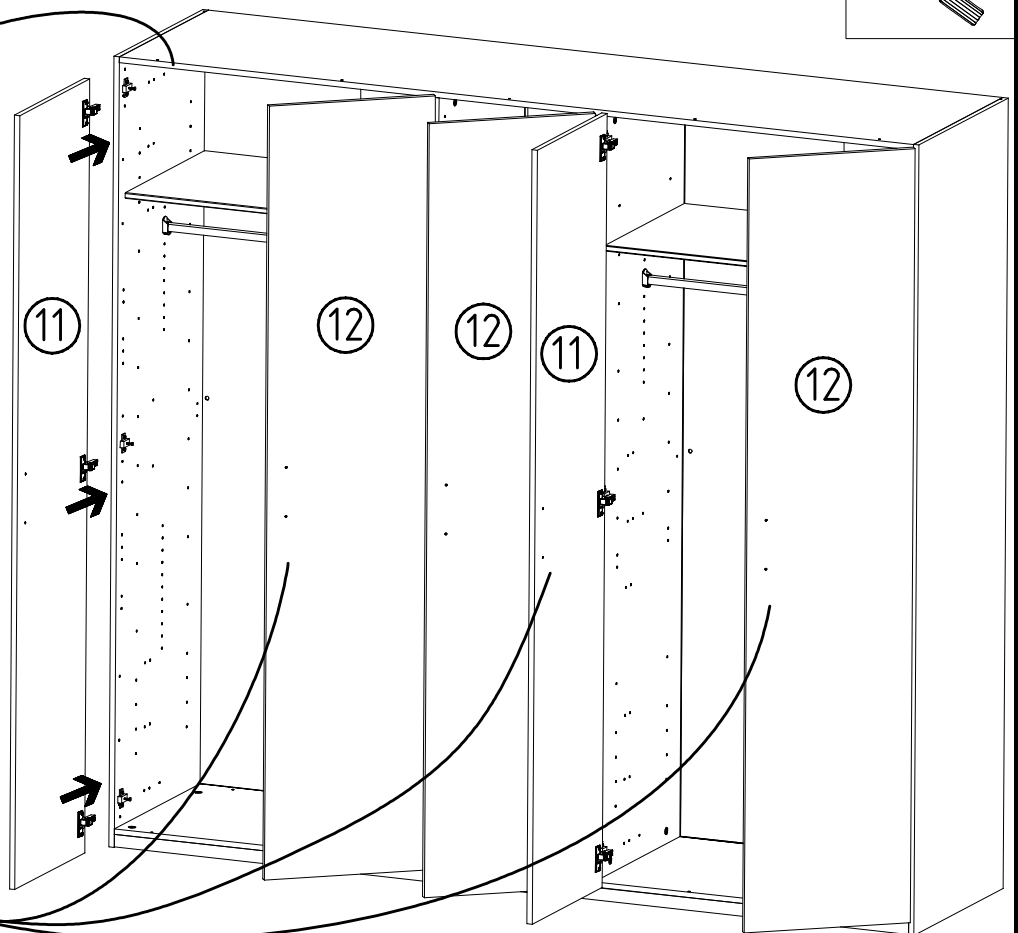
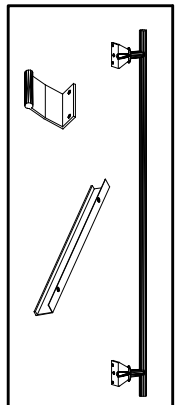
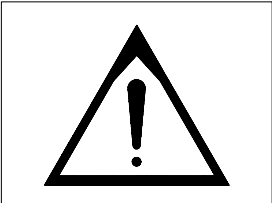
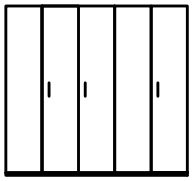
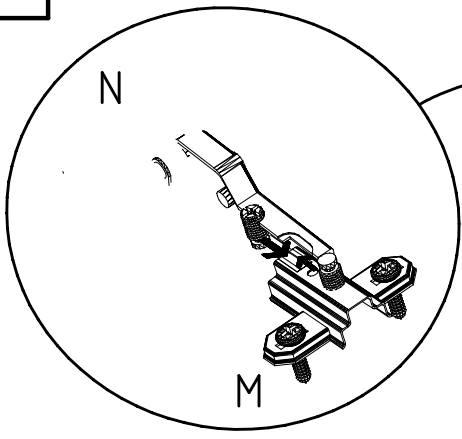
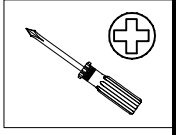
12



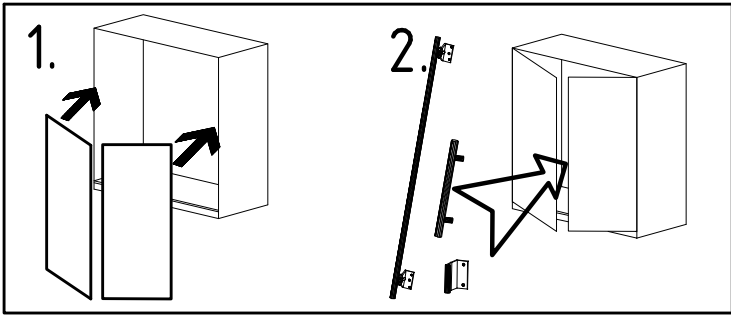
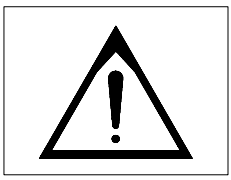
13



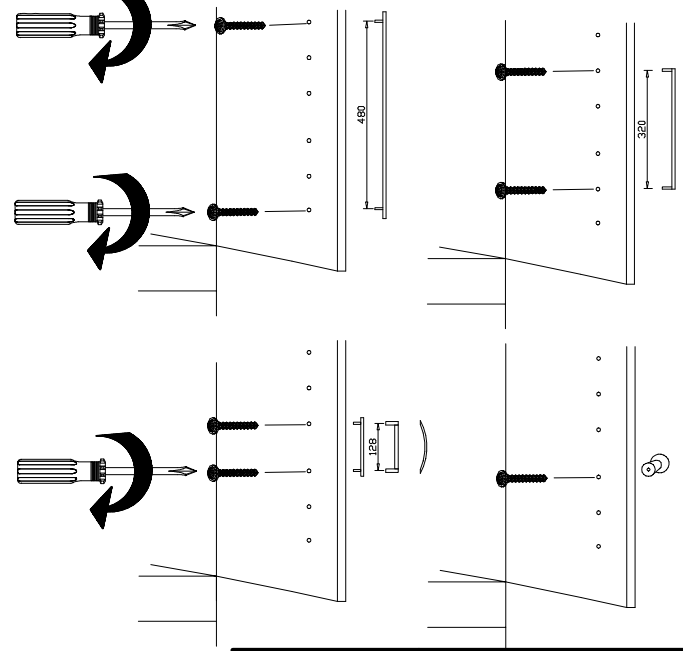
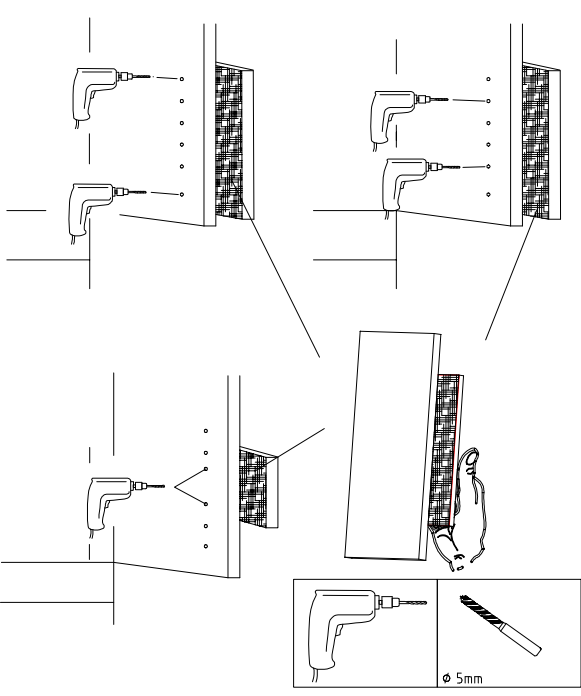
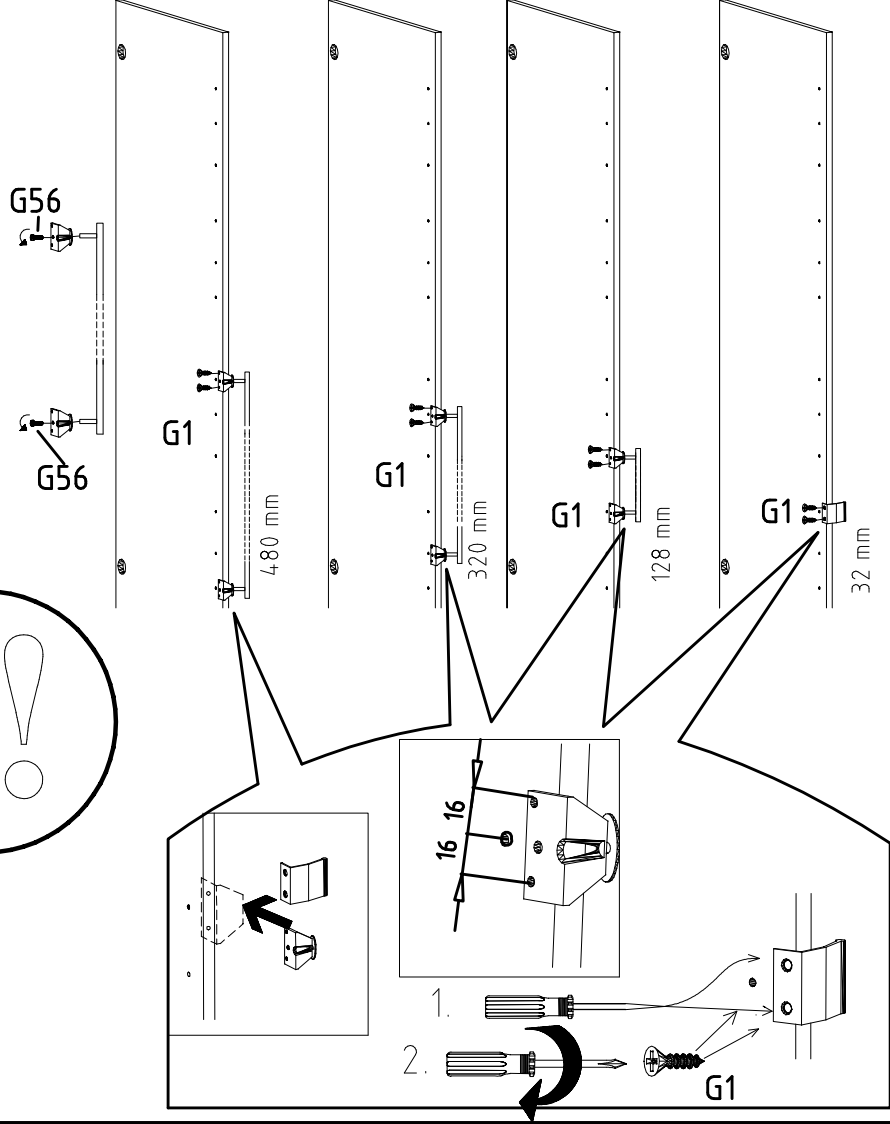
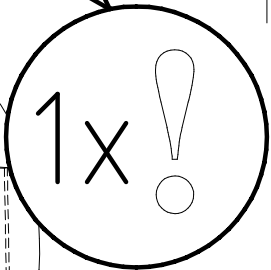
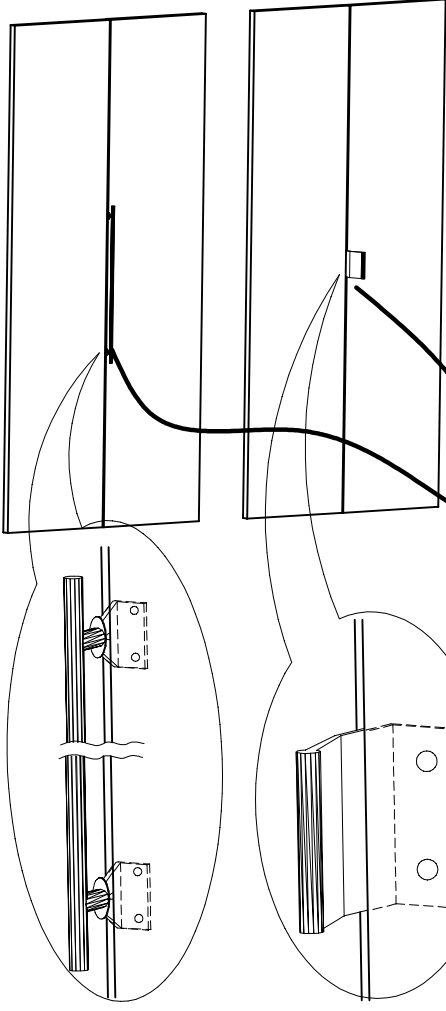
14







3,5 x 15 mm 121 370	G1	4,0 x 12 mm 122 625	G56
------------------------	----	------------------------	-----



<b>SP27</b>
4 X 27mm
122620
4,0x22
G49
122 609