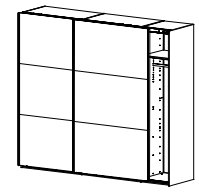
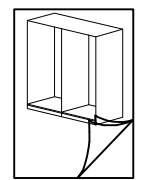
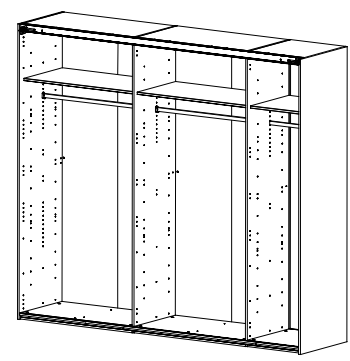
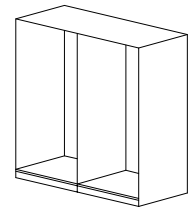


980722

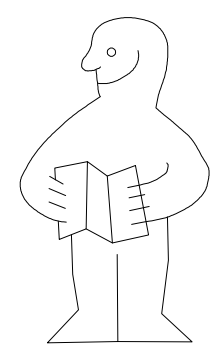
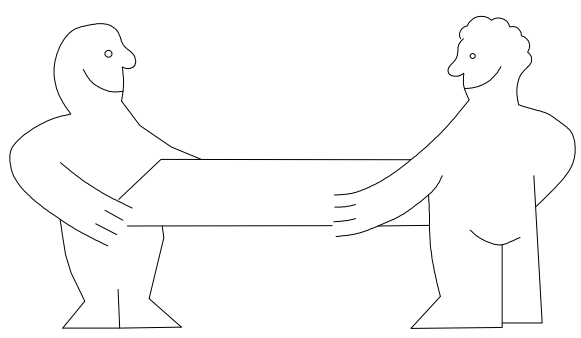
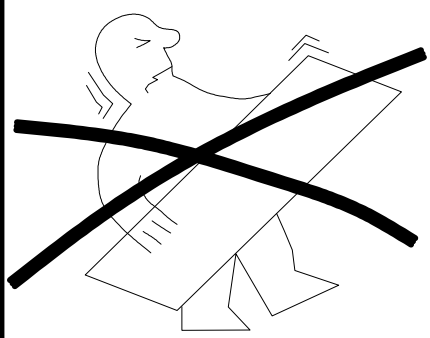
1.



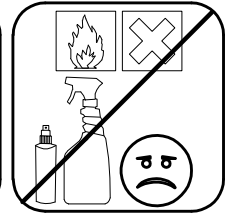
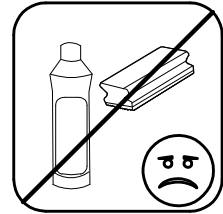
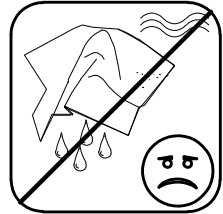
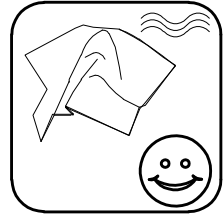
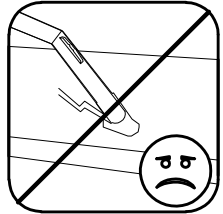
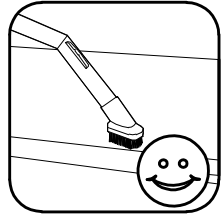
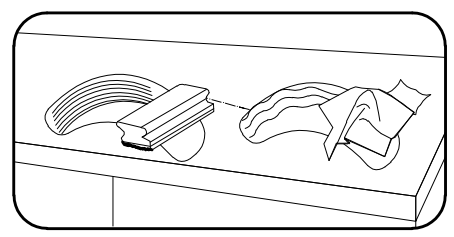
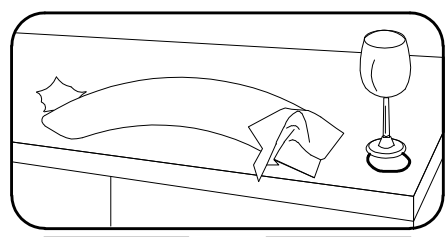
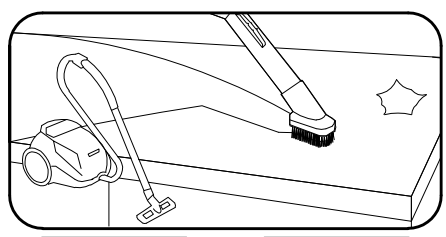
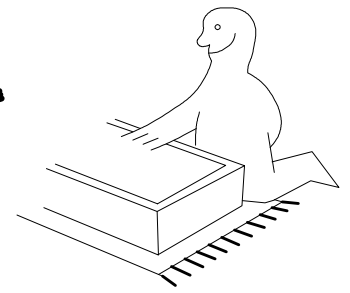
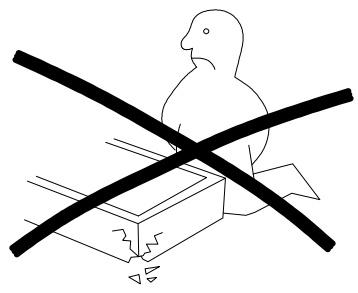
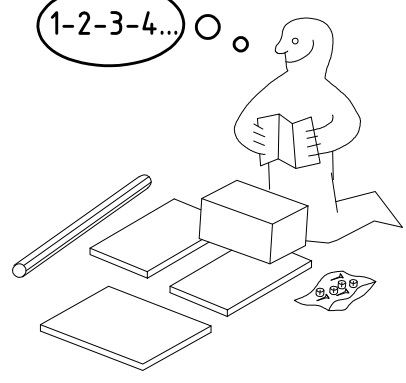
2.



HSP 250



1-2-3-4... ○



 111 xxx	A1	24x
 111 103	C	8x
 111 103	F3	8x

 111 xxx	S0	14x
 111 xxx ø12	V12	14x
 121 370 3,5 x 15 mm	G1	40x

 117 002	K2	6x
 117 002	SBV	20x
 112 400 100cm	K10	2x

 111 611	J2	8x
 112 055 6,3 x 10,5 mm	T1	34x
 111 607	L8	12x

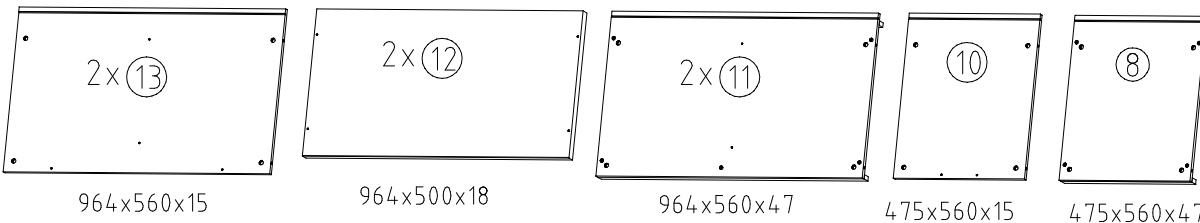
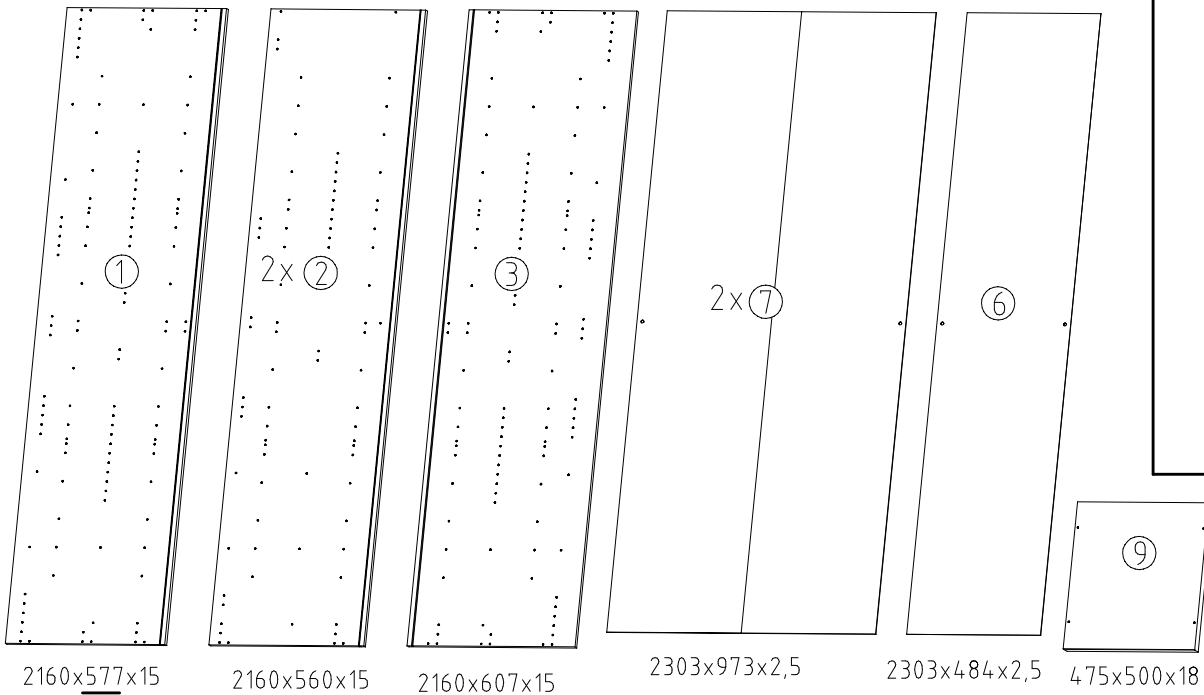
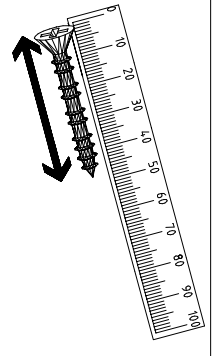
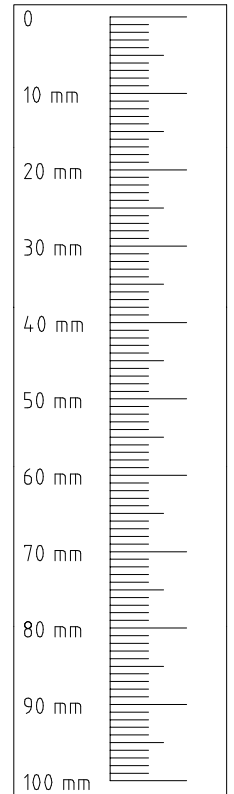
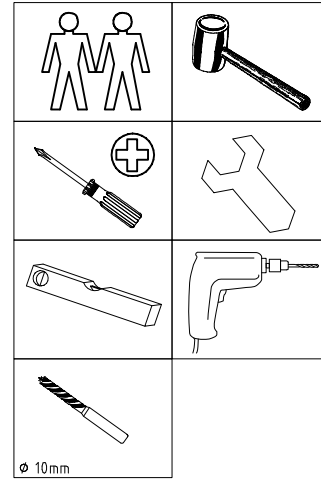
 111 052	ø10	1x
 121 120 4 x 15mm	SP15	3x
 112 401 50cm	K11	1x

1x **FPK**
1453/1940/2430/2920/3408

1x **SWT-LP**
1453/1940/2430/2920/3410 SY

 121 xxx	SWT-ST	2x
 121 xxx M4 x 13 mm	SWT-SM5	2x
 121 xxx M4 x 10 mm	GH13	6x
 121 xxx 3,5 x 35 mm	G43	6x
 121 375	G14	2x

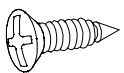
 121 004	SWH-SKL	1x
 121 004	SWH-SKR	1x
 121 004 3,5 x 22 mm	G24	9x



1

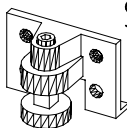
3,5 x 15 mm

G1



121 370

S0



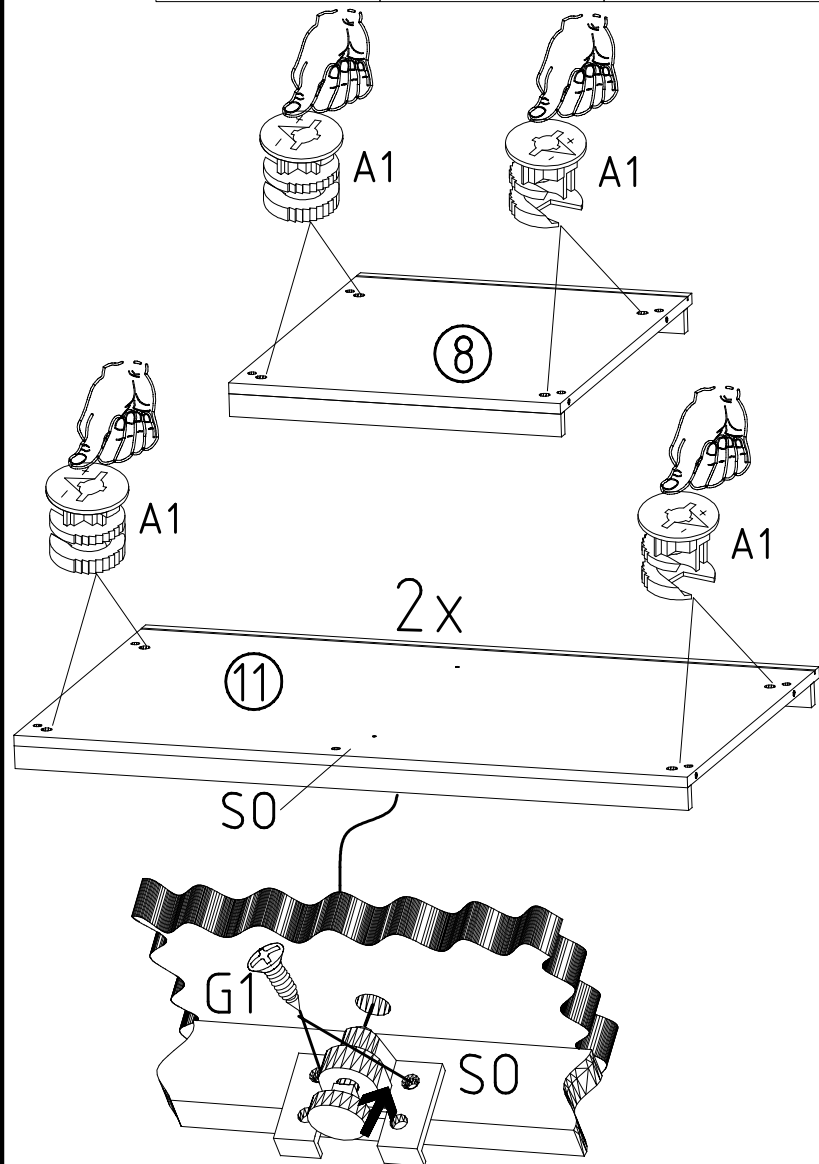
111 xxx

A1



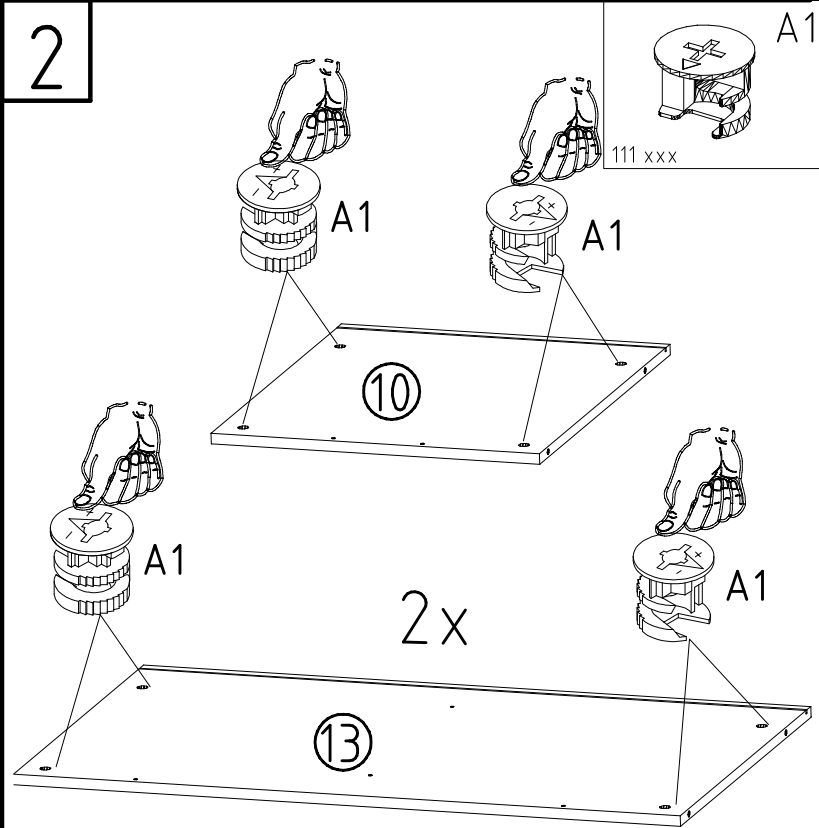
111 xxx

3



2

A1



F3

2

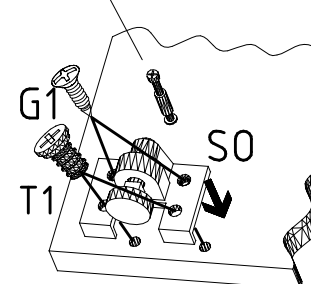
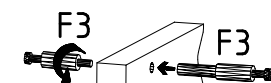
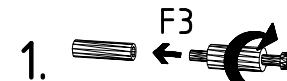
2x

Parts list for step 3:

- Screwdriver (indicated by a plus sign icon)
- Screw T1: 6,3 x 10,5 mm
- Screw G1: 3,5 x 15 mm
- Bracket S0: 111 xxx
- Pins F3

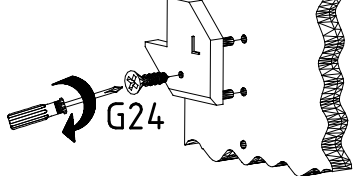
F3

S0

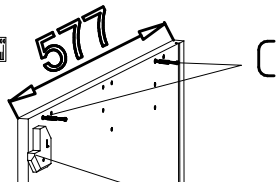
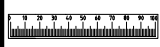
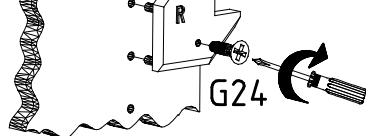


4

SWH-SKL

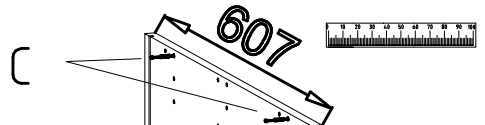
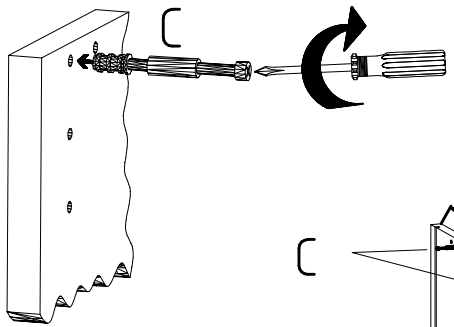


SWH-SKR



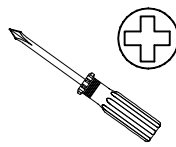
SWH-SKL + G24

1

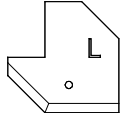


SWH-SKR + G24

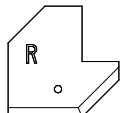
3



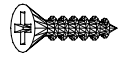
SWH-SKL



SWH-SKR

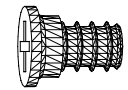


3,5 x 22 mm G24



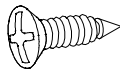
121 004

6,3 x 10,5 mm T1

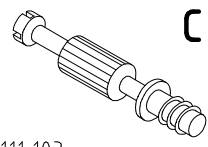


112 055

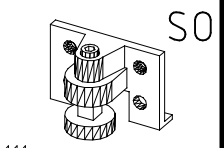
3,5 x 15 mm G1



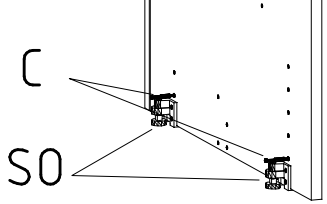
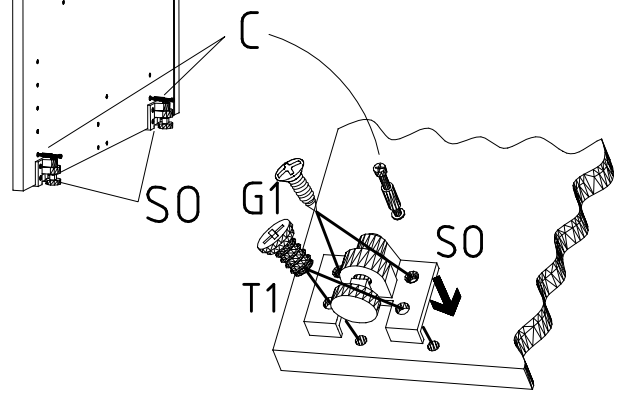
121 370



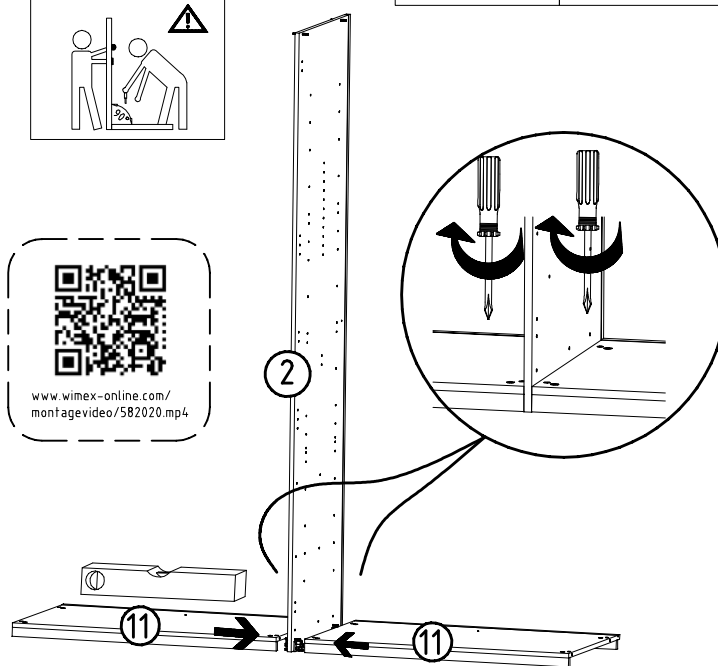
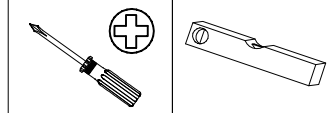
111 103



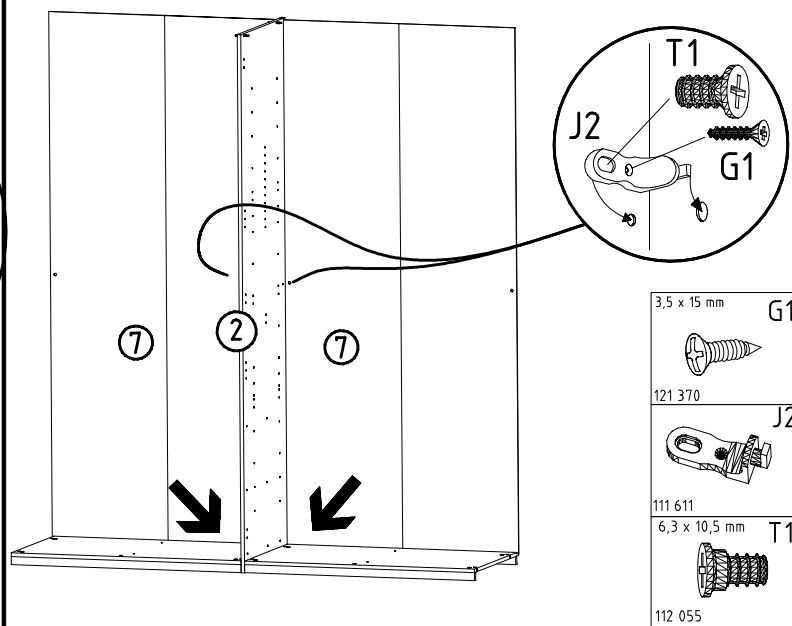
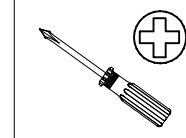
111 xxx



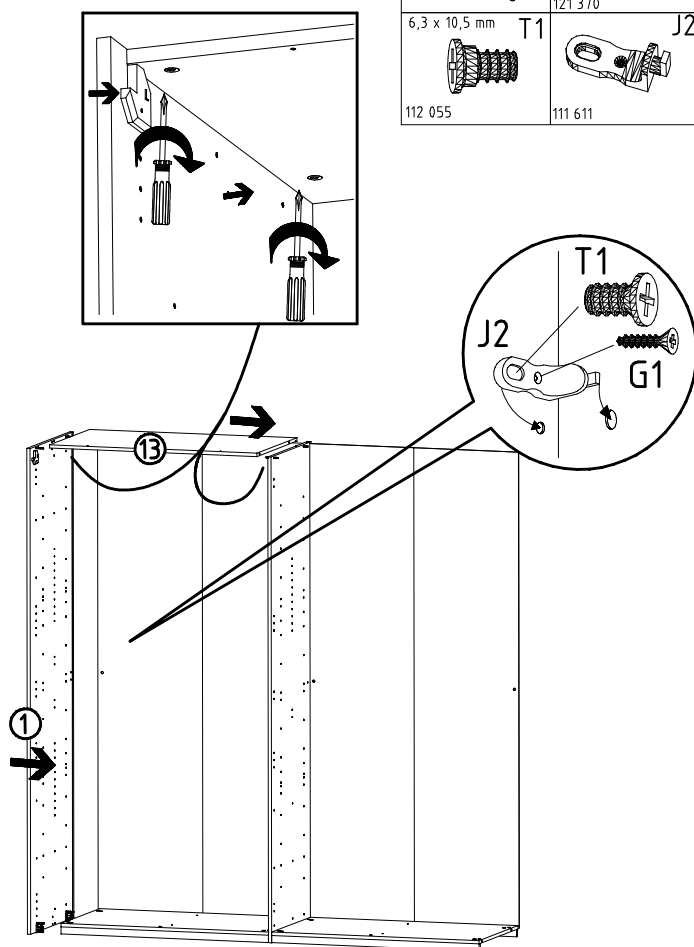
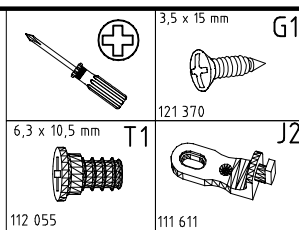
5



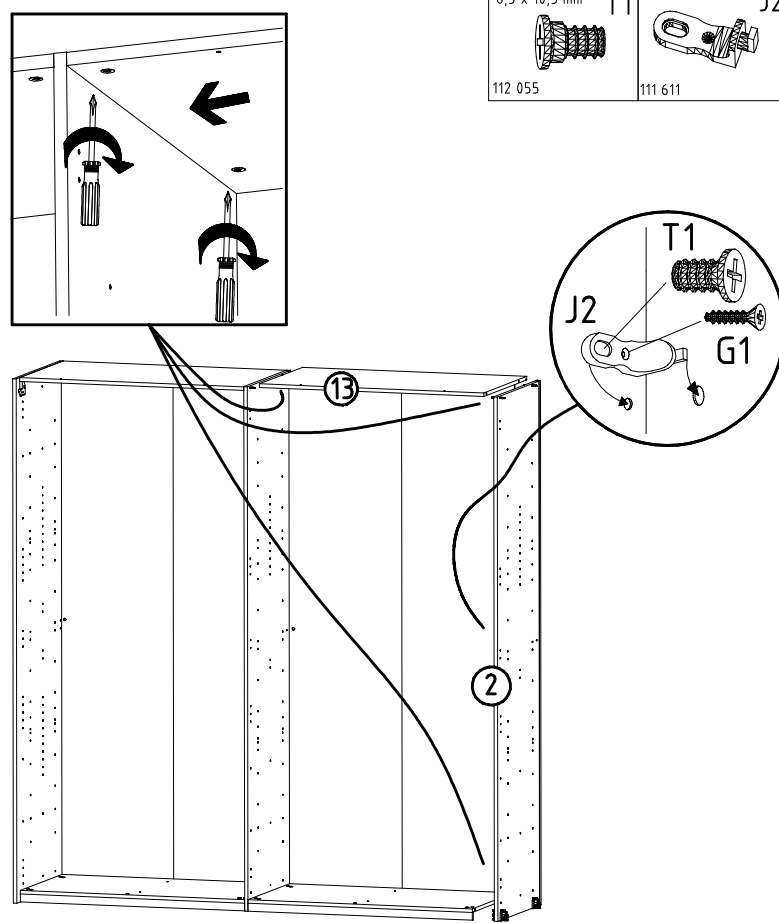
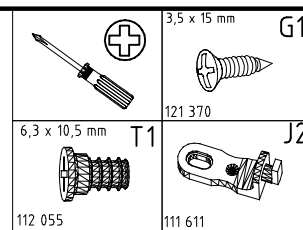
6



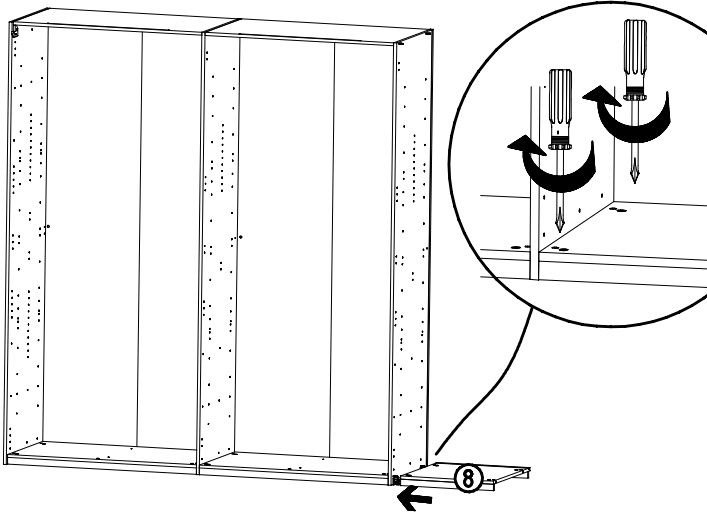
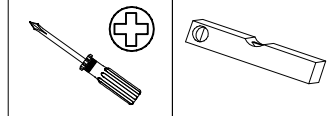
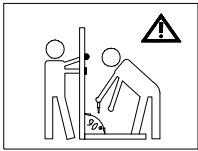
7



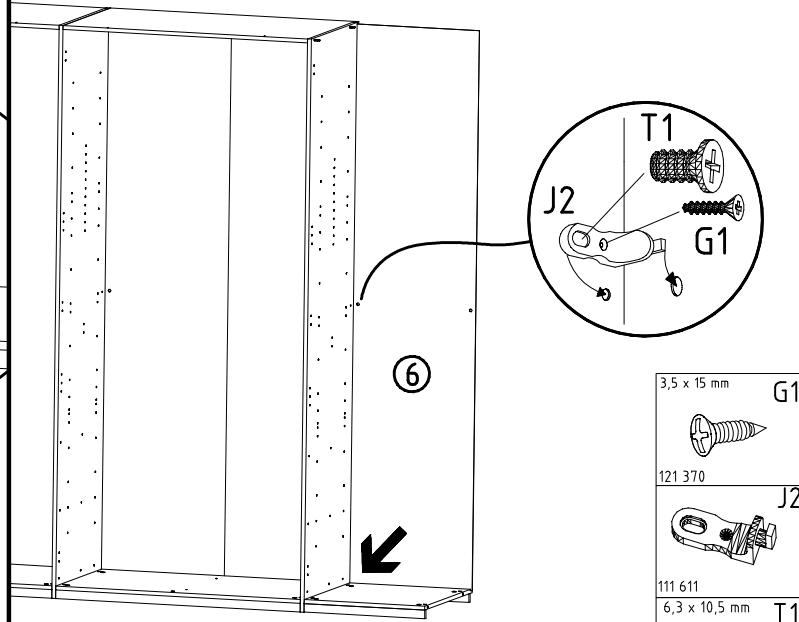
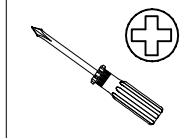
8



9



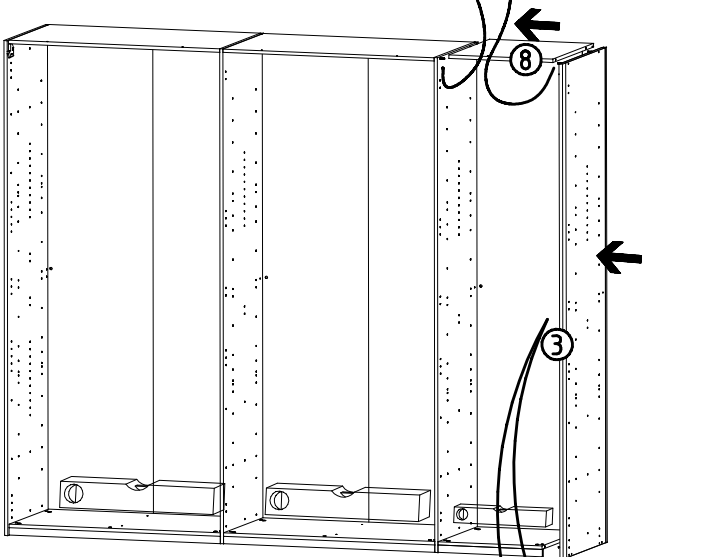
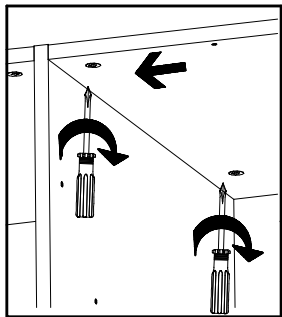
10



- 3,5 x 15 mm G1
- 121 370
- 111 611
- 6,3 x 10,5 mm T1
- 112 055

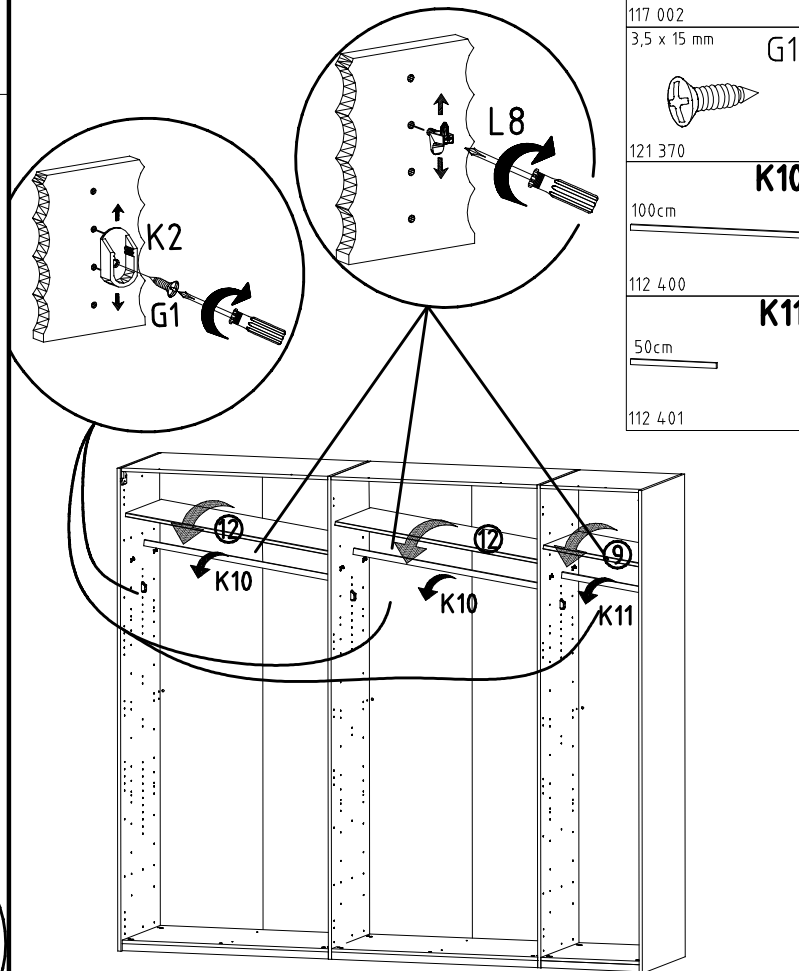
11

- 3,5 x 15 mm G1
- 121 370
- 111 611
- 6,3 x 10,5 mm T1
- 112 055



12

- L8
- 111 607
- K2
- 117 002
- 3,5 x 15 mm G1
- 121 370
- 100cm
- 112 400
- 50cm
- 112 401
- K10
- K11



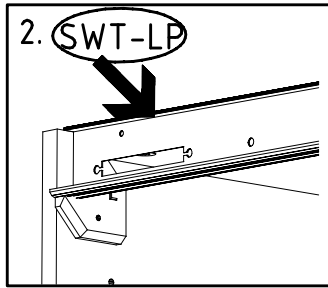
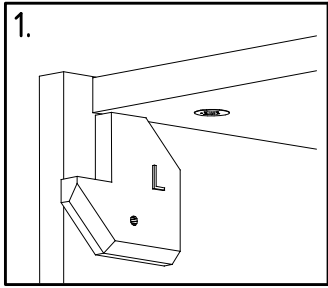
980722

12.12.16 / 10.02.17

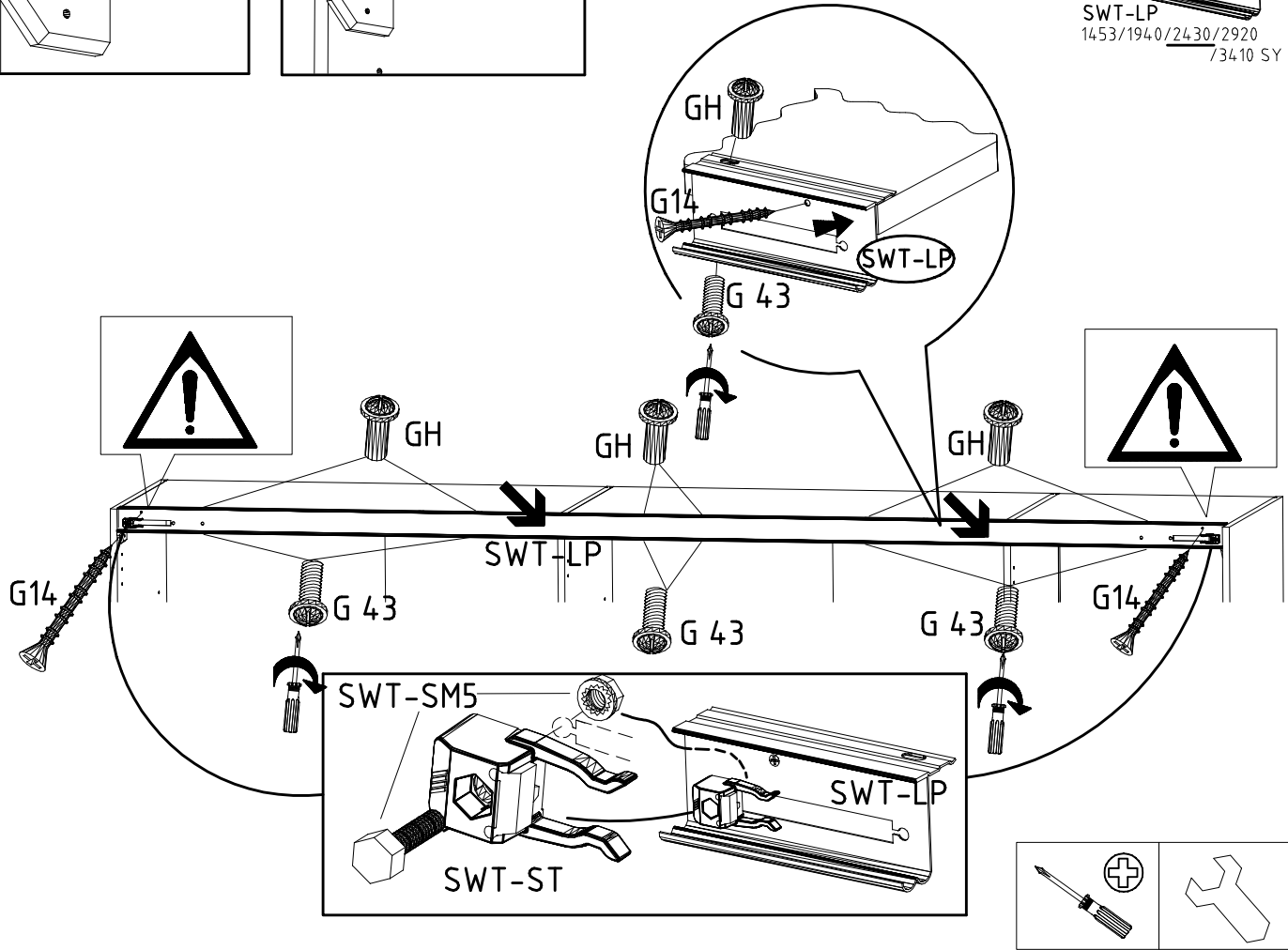
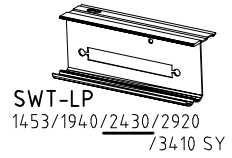
02 17

6/11

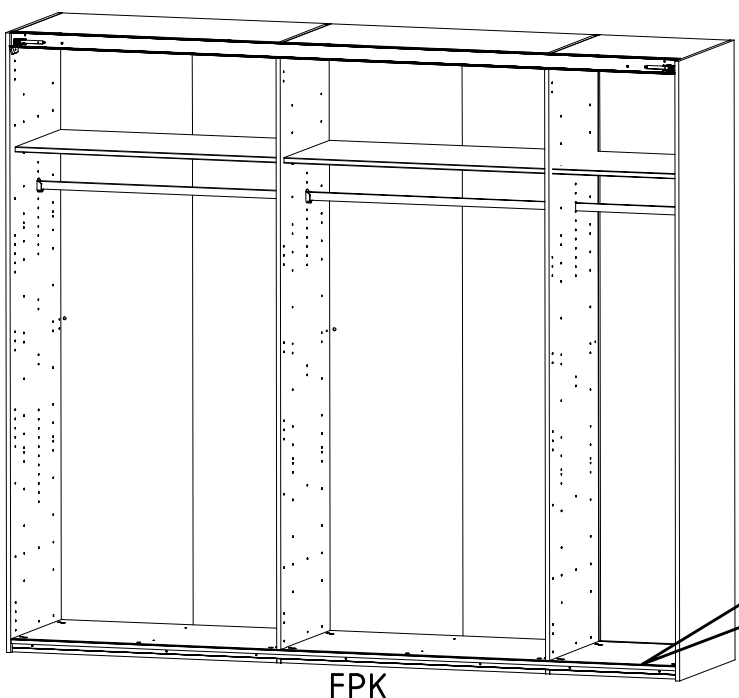
13



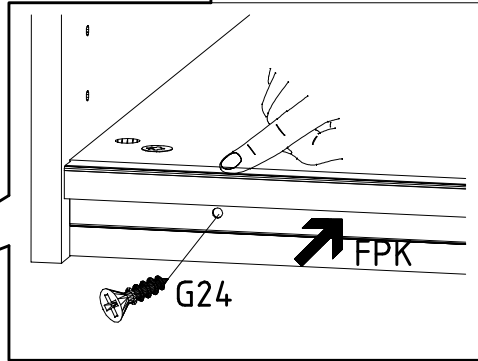
M4 x 10 mm G43 121 xxx	M4 x 13 mm GH13 121 xxx	3,5 x 35 mm G14 121 375	SWT-ST	SWT-SM5
------------------------------	-------------------------------	-------------------------------	--------	---------



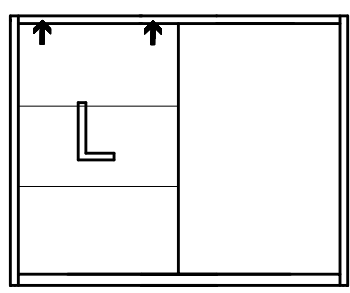
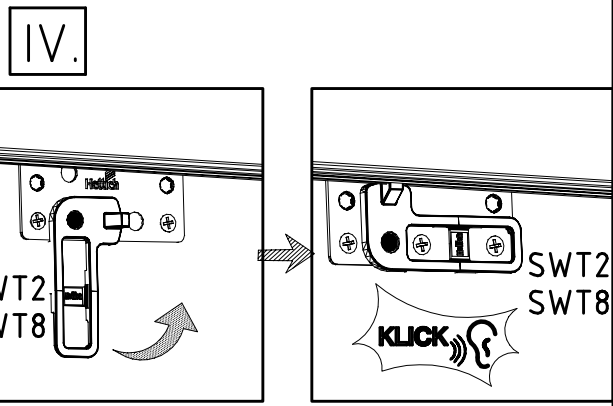
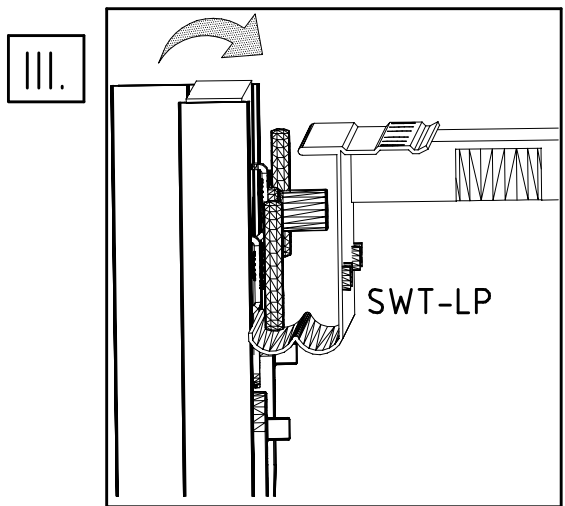
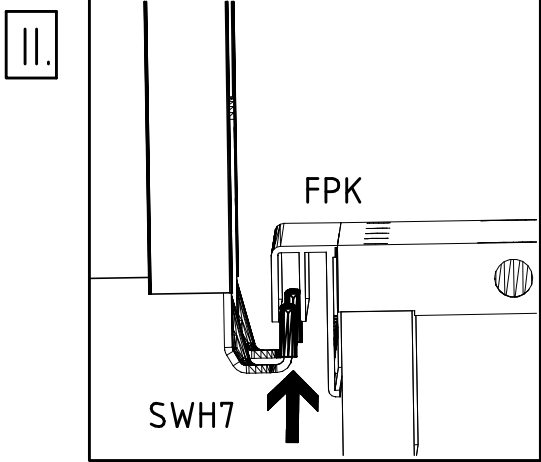
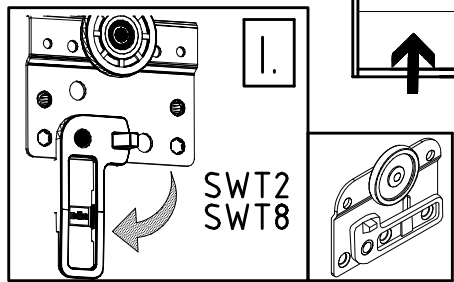
14



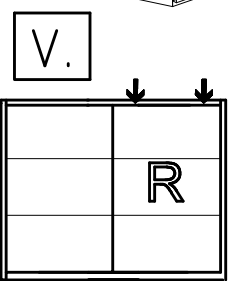
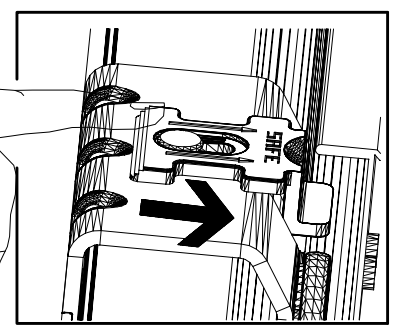
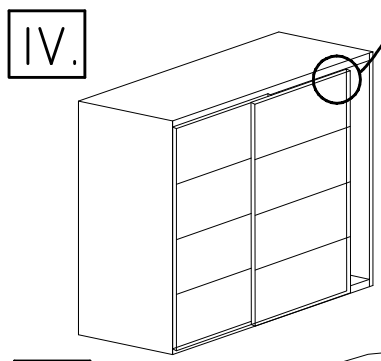
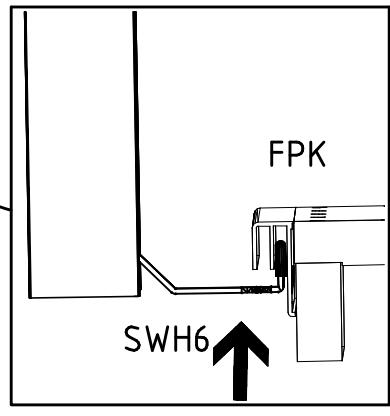
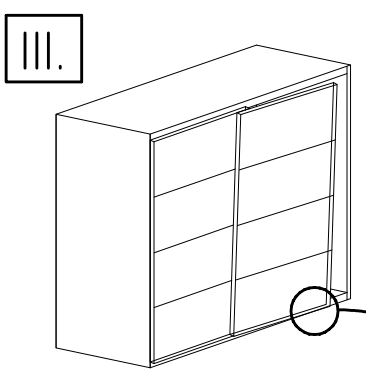
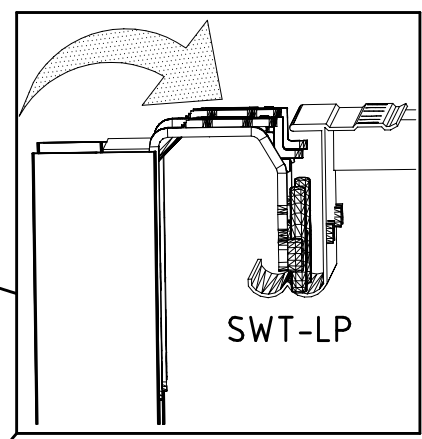
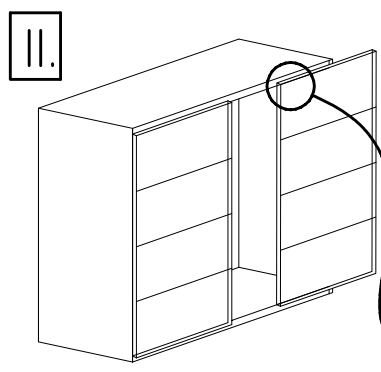
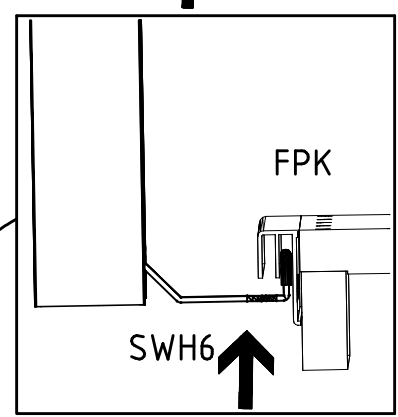
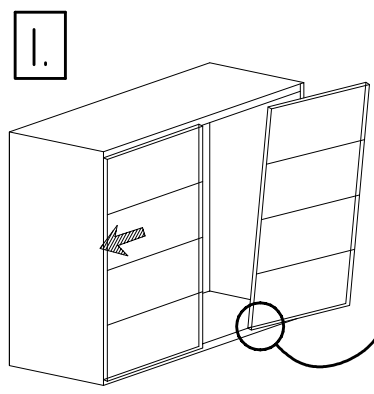
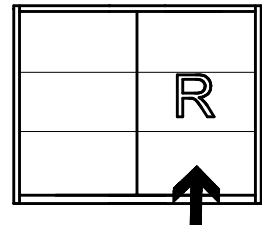
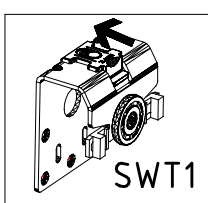
FPK 1453/1940/2430/2920/3408
3,5 x 22 mm G24 121 004



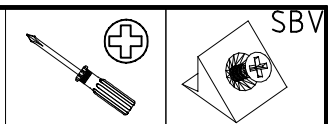
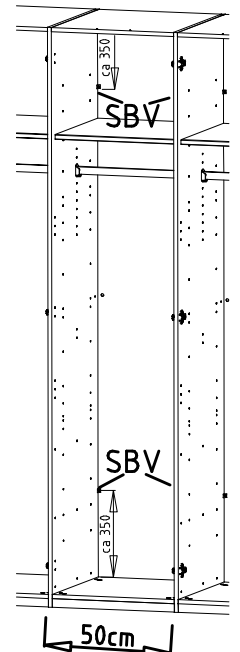
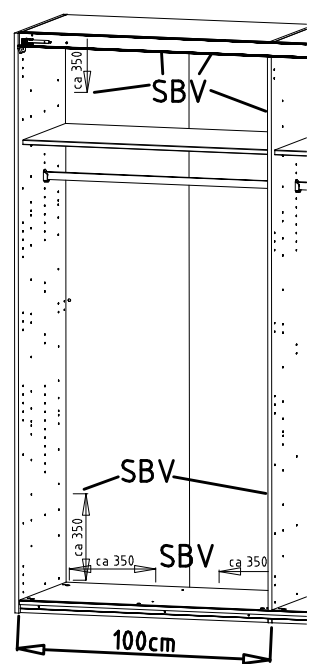
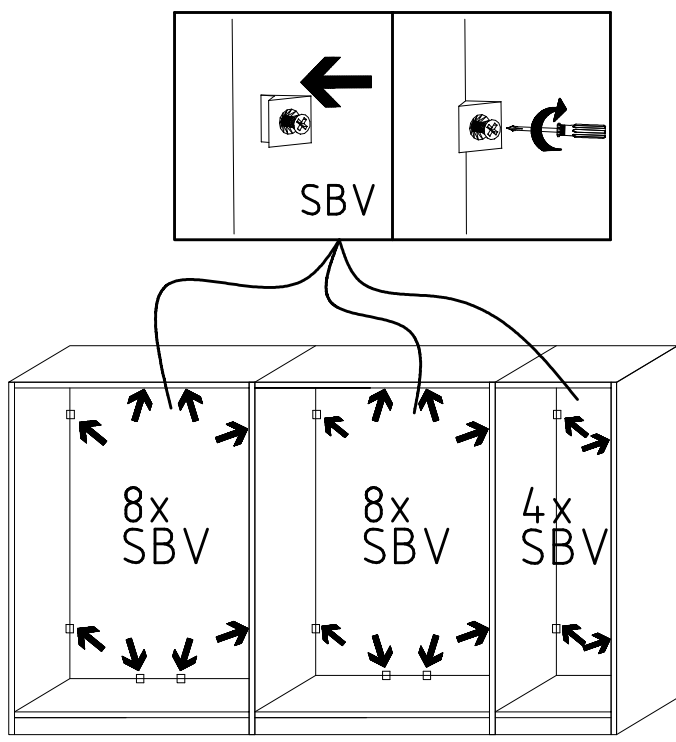
15



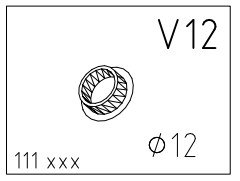
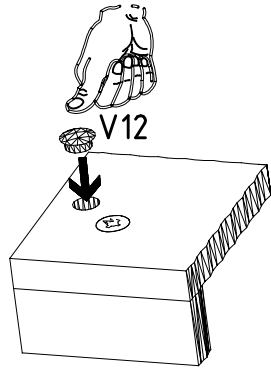
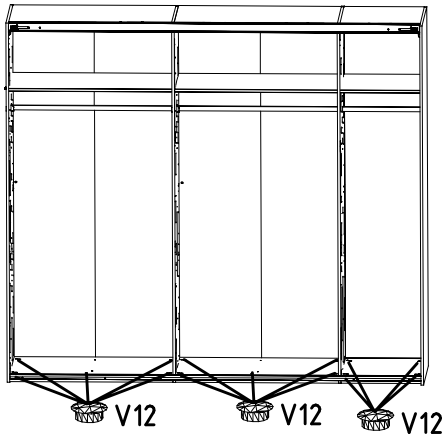
16



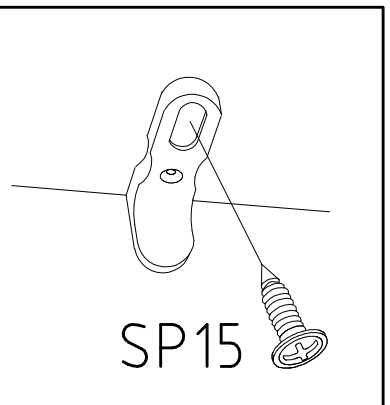
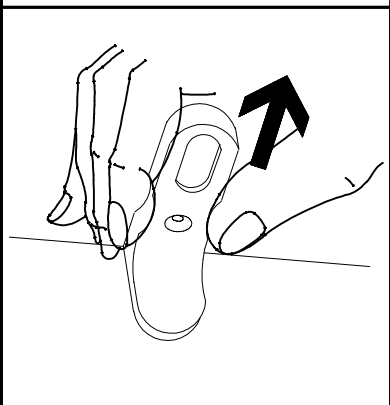
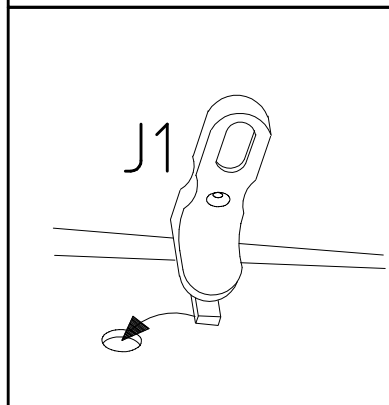
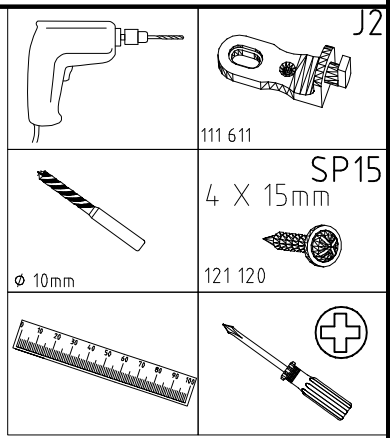
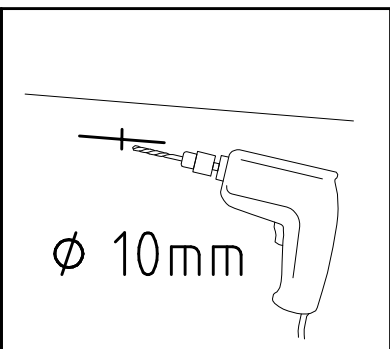
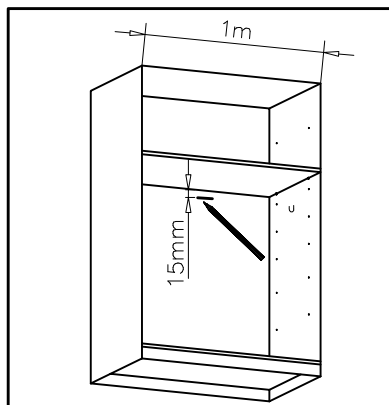
17

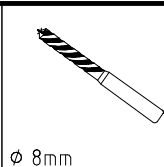
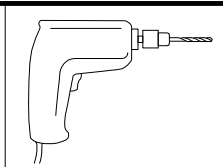


18

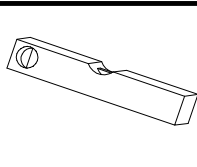
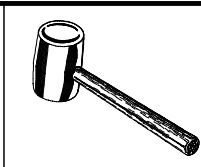


19

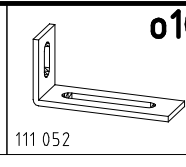




ø 8mm

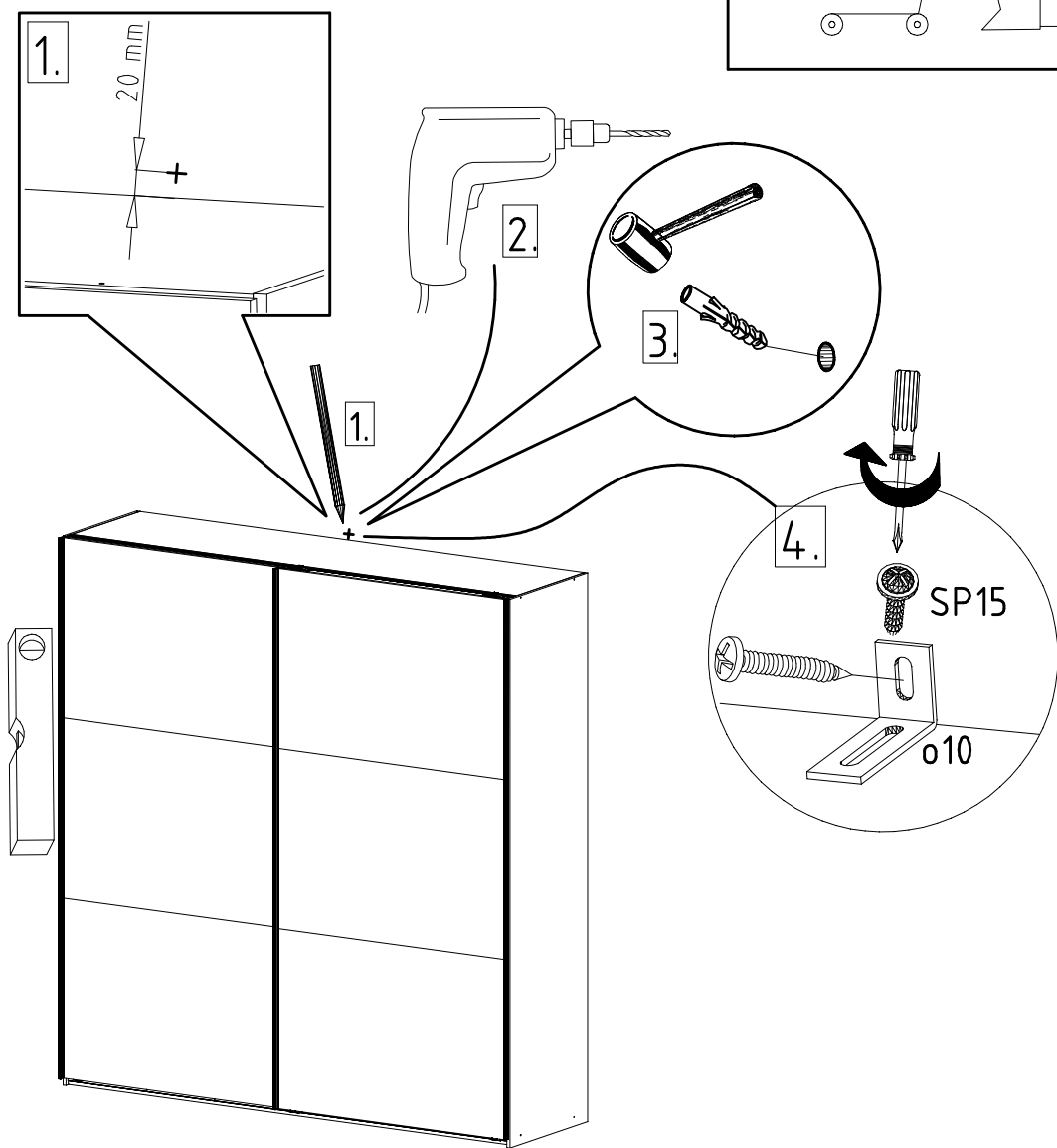
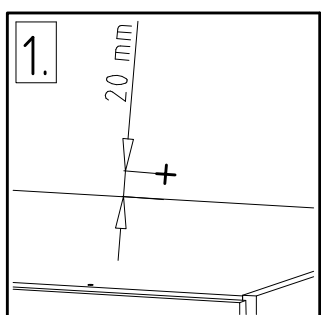
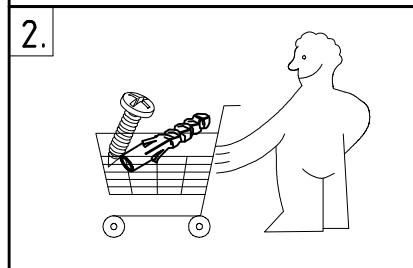
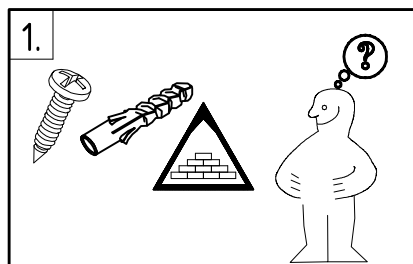


SP15
4 X 15mm
121 120



o10

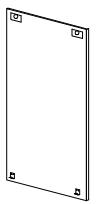
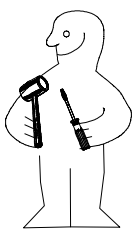
111 052



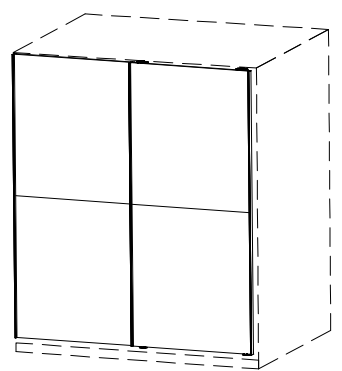
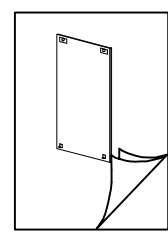
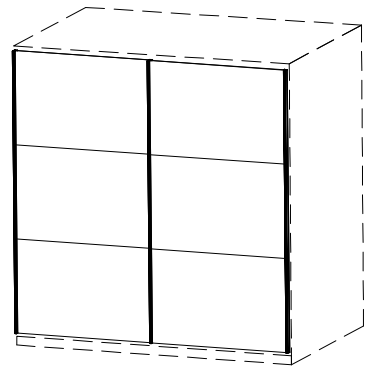
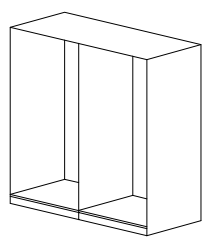
980830



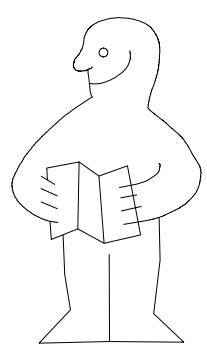
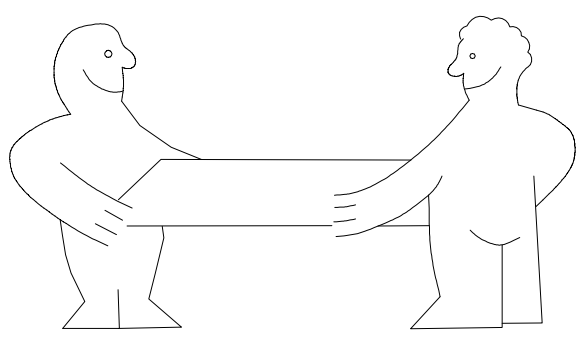
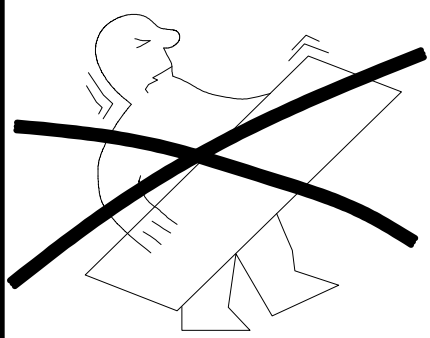
1.



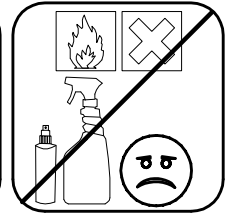
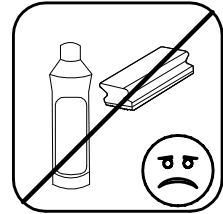
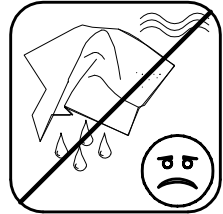
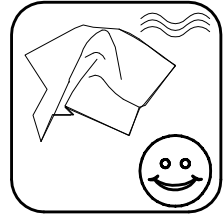
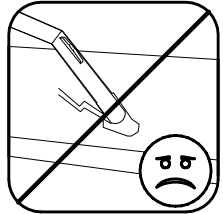
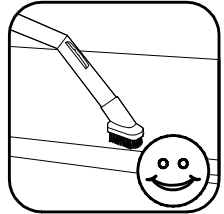
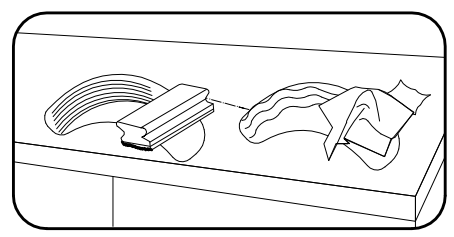
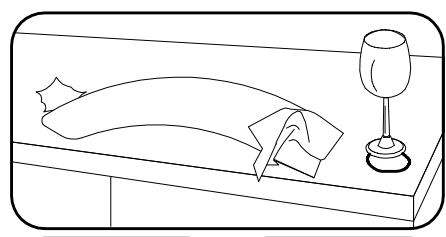
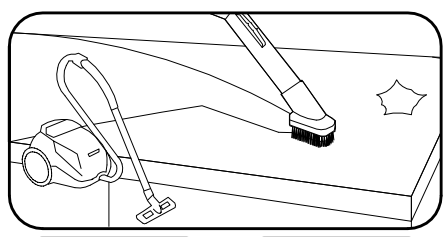
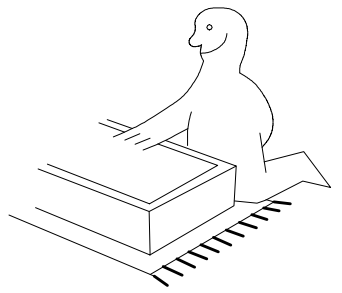
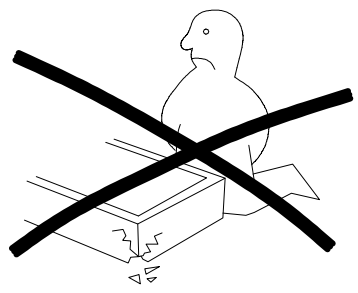
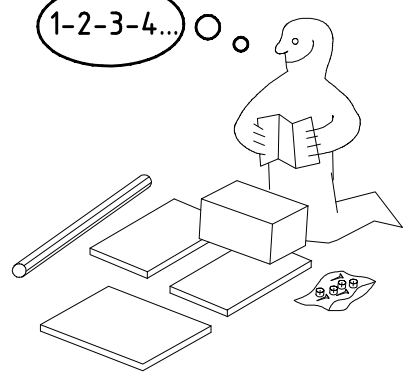
2.



150/200/250/300 HSP



1-2-3-4... ○

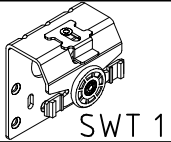
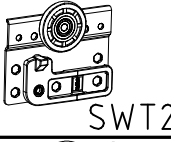
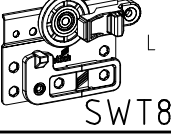



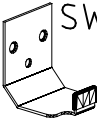
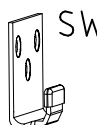
980830


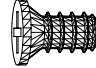
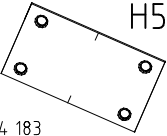
26.11.16 / -

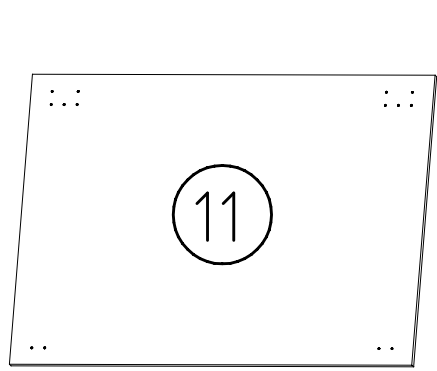
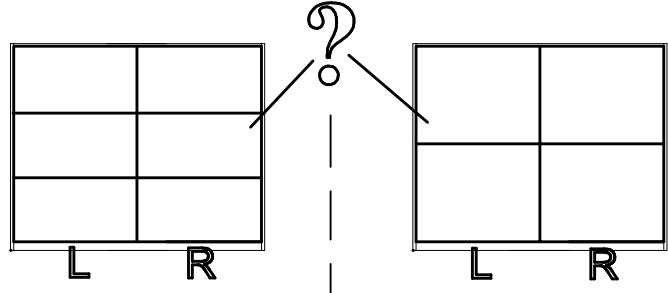
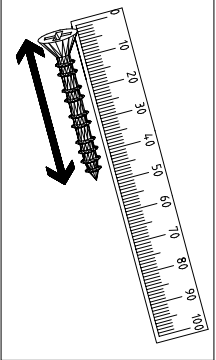
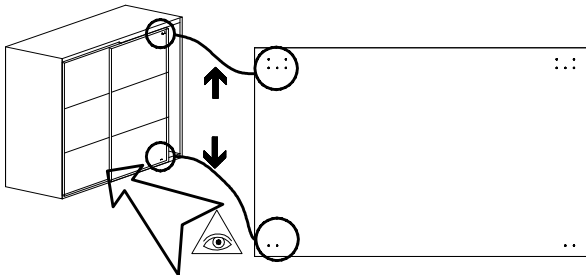
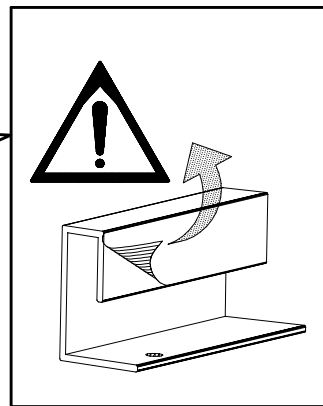
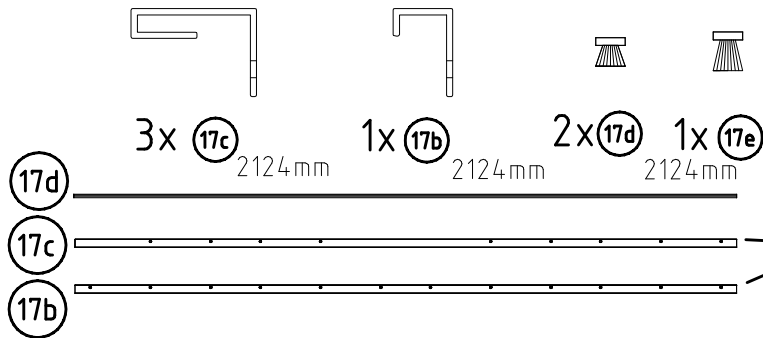
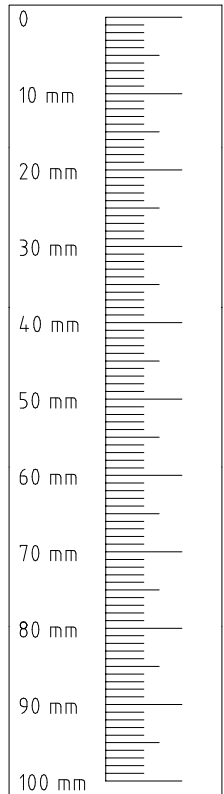
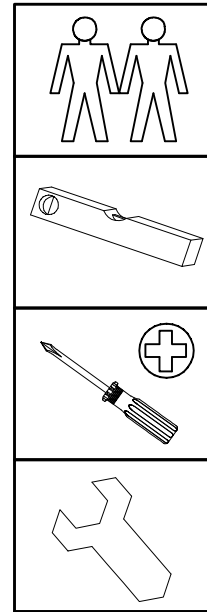
11 16

1/11

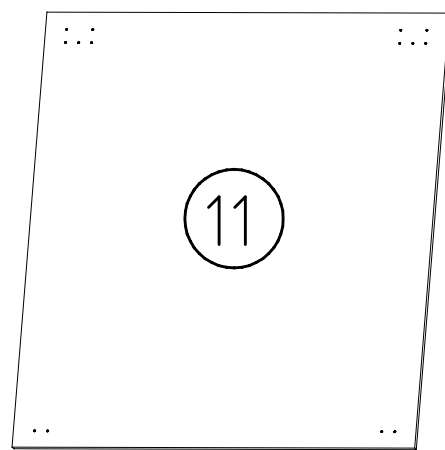
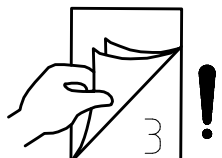
 SWT 1	2x
 SWT 2	1x
 SWT 8	1x

3,5 x 15 mm  G1 121 370	1x
 SWH 6	2x
 SWH 7	2x

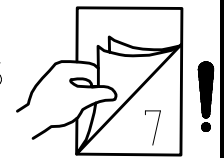
4 X 13mm  SP13 121 122	60x 68x
6,3 x 10,5 mm  T2 111 030	24x
 H5 114 183	2x 4x



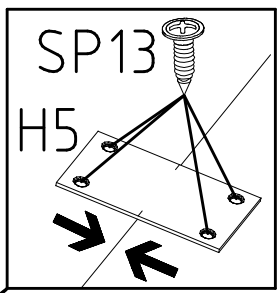
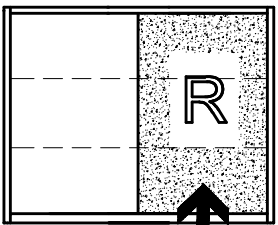
6x 745/990/1235/1485 x 708 x 15



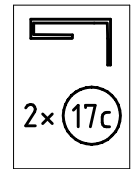
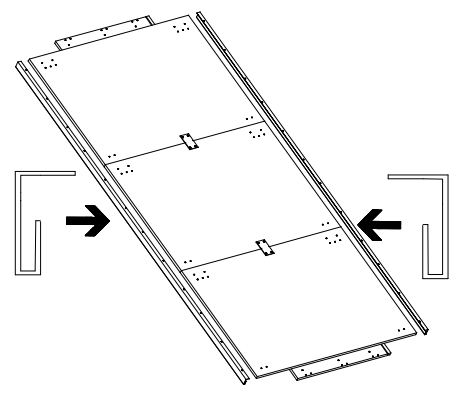
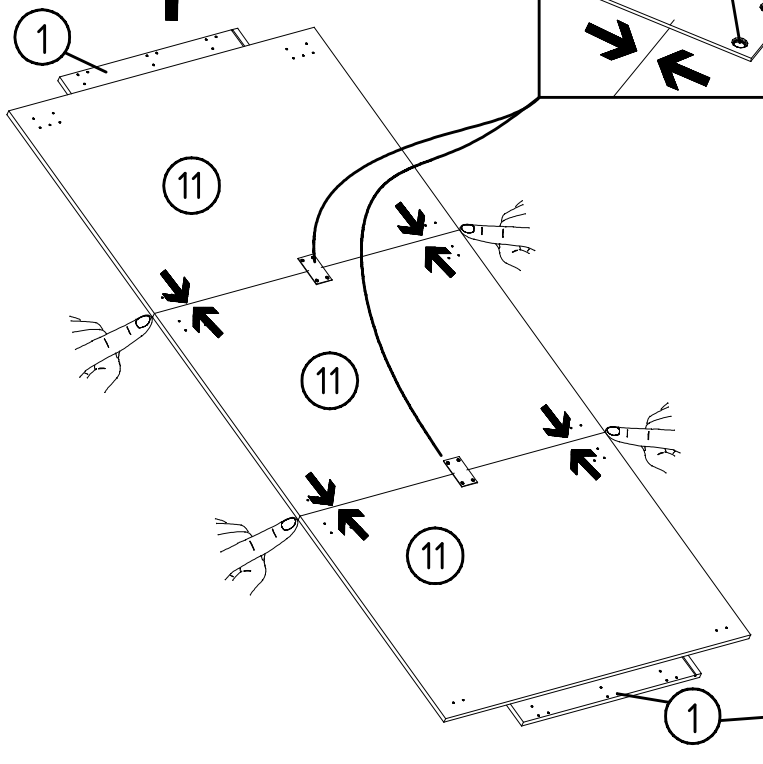
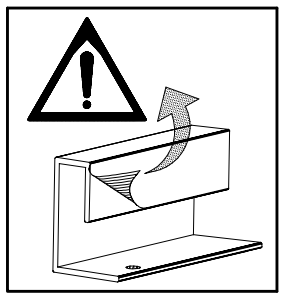
4x 745/990/1235/1485 x 1062 x 15



1

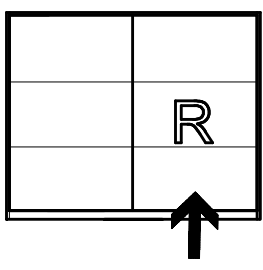
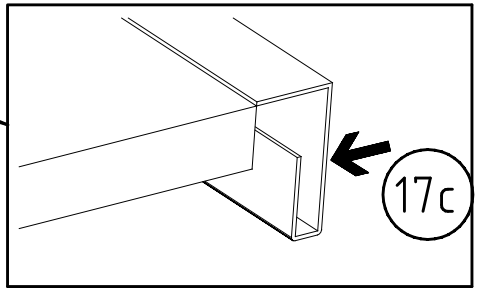
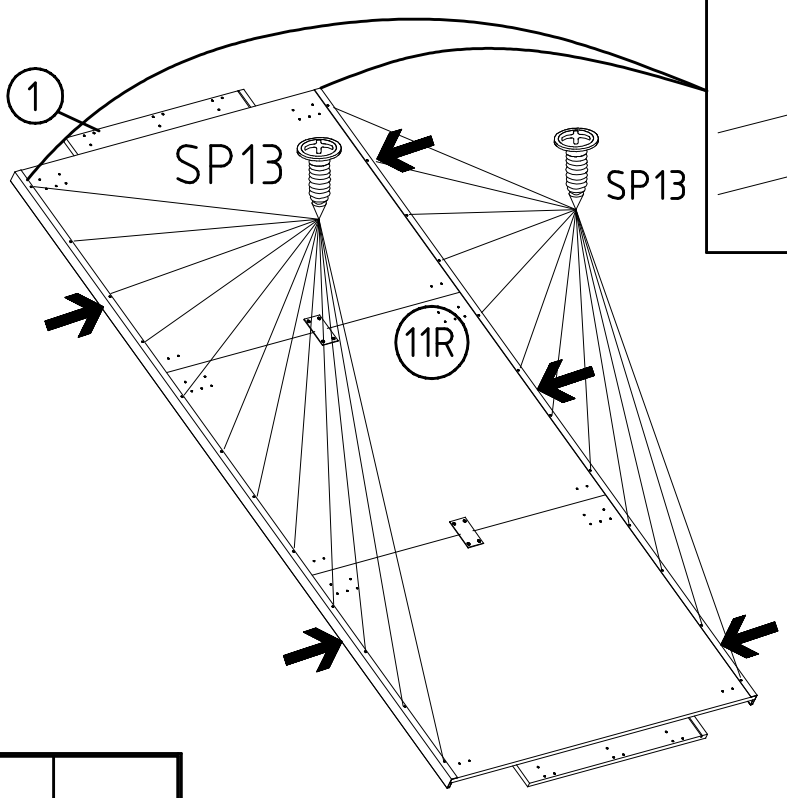


H5 4 X 13mm SP13
 114 183 121 122

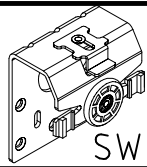


2

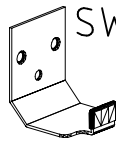
SP13 4 X 13mm
 121 122



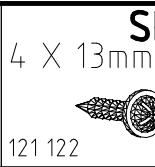
3



SWT 1



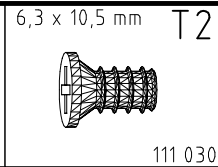
SWH 6



SP13

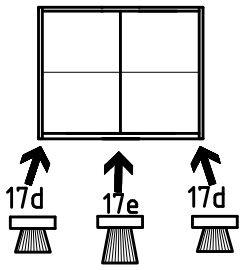
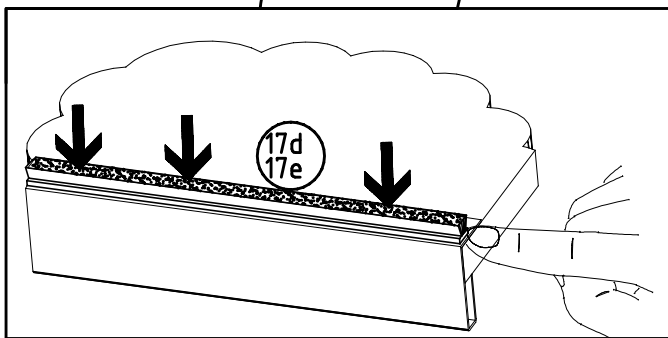
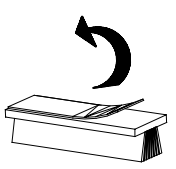
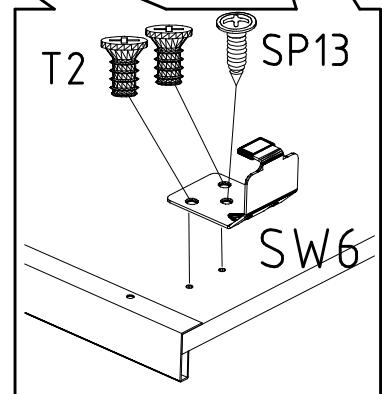
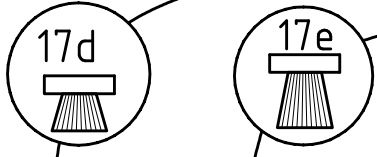
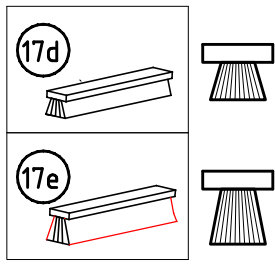
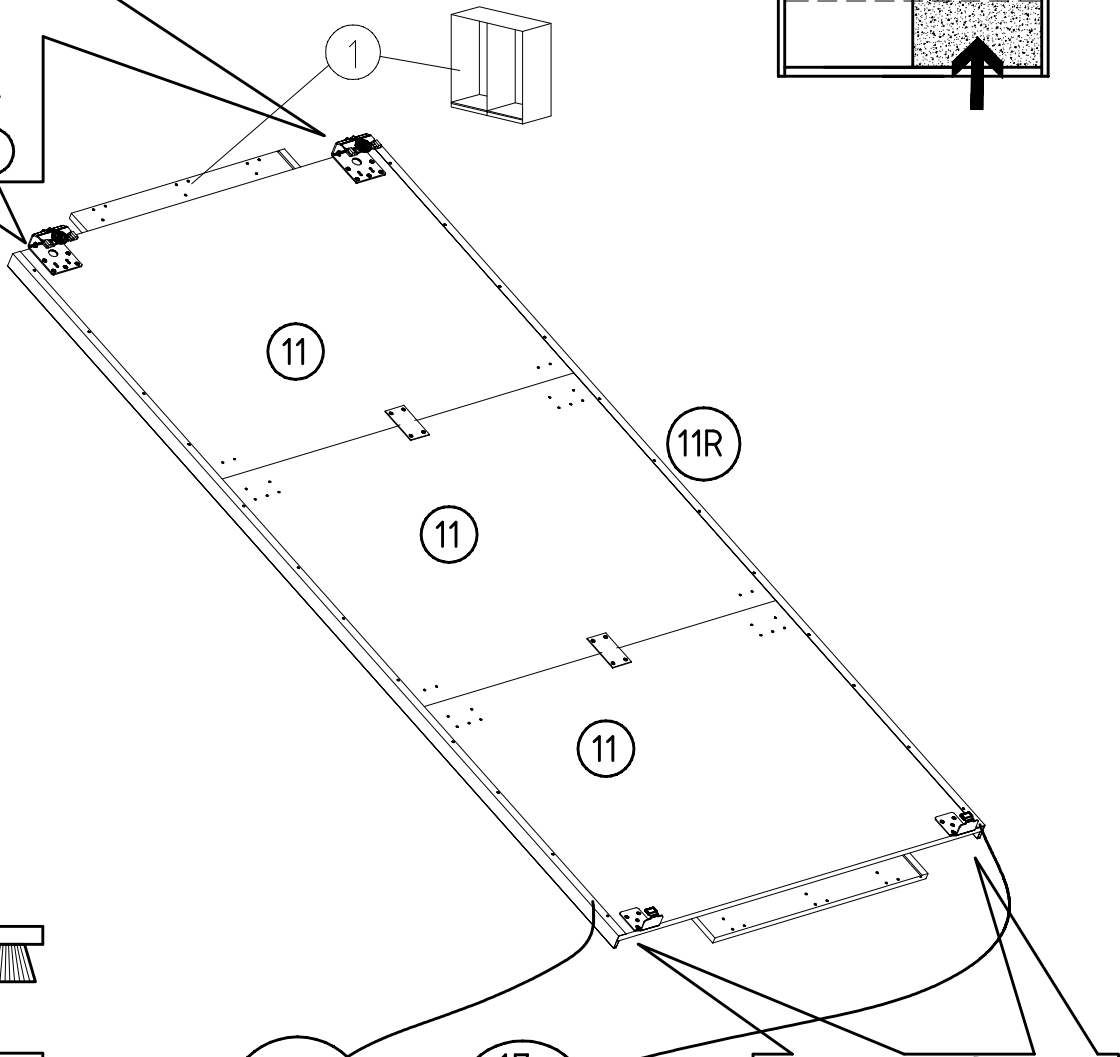
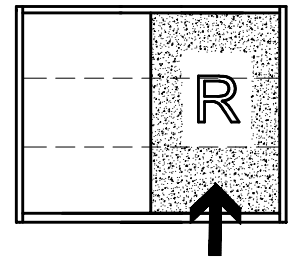
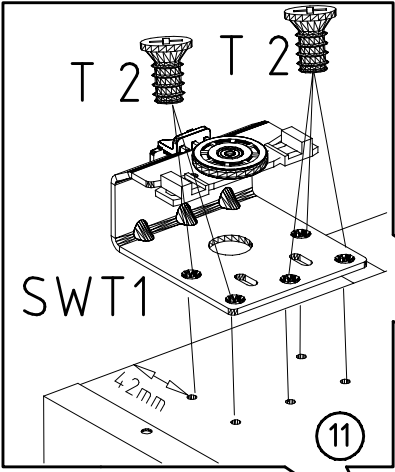
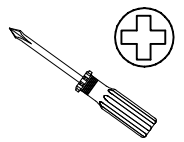
4 X 13mm

121 122

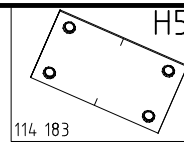
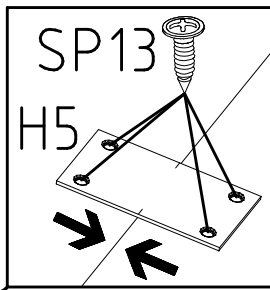
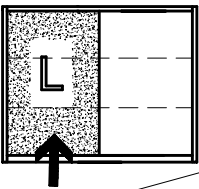


6,3 x 10,5 mm T2

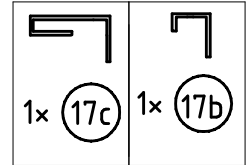
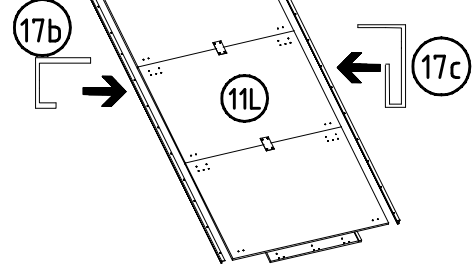
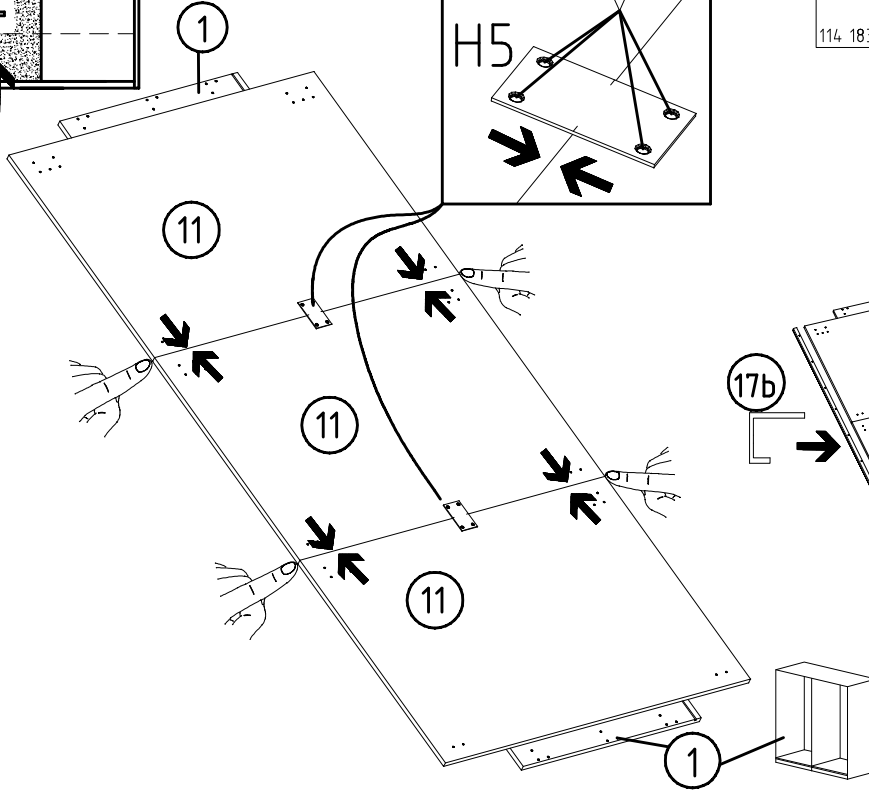
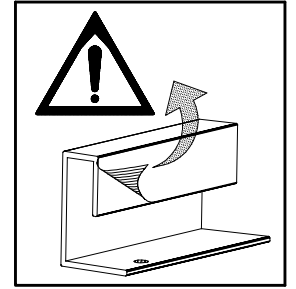
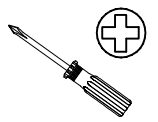
111 030



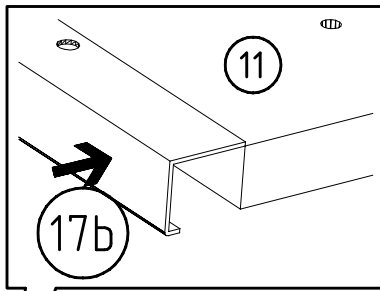
4



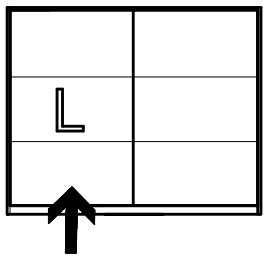
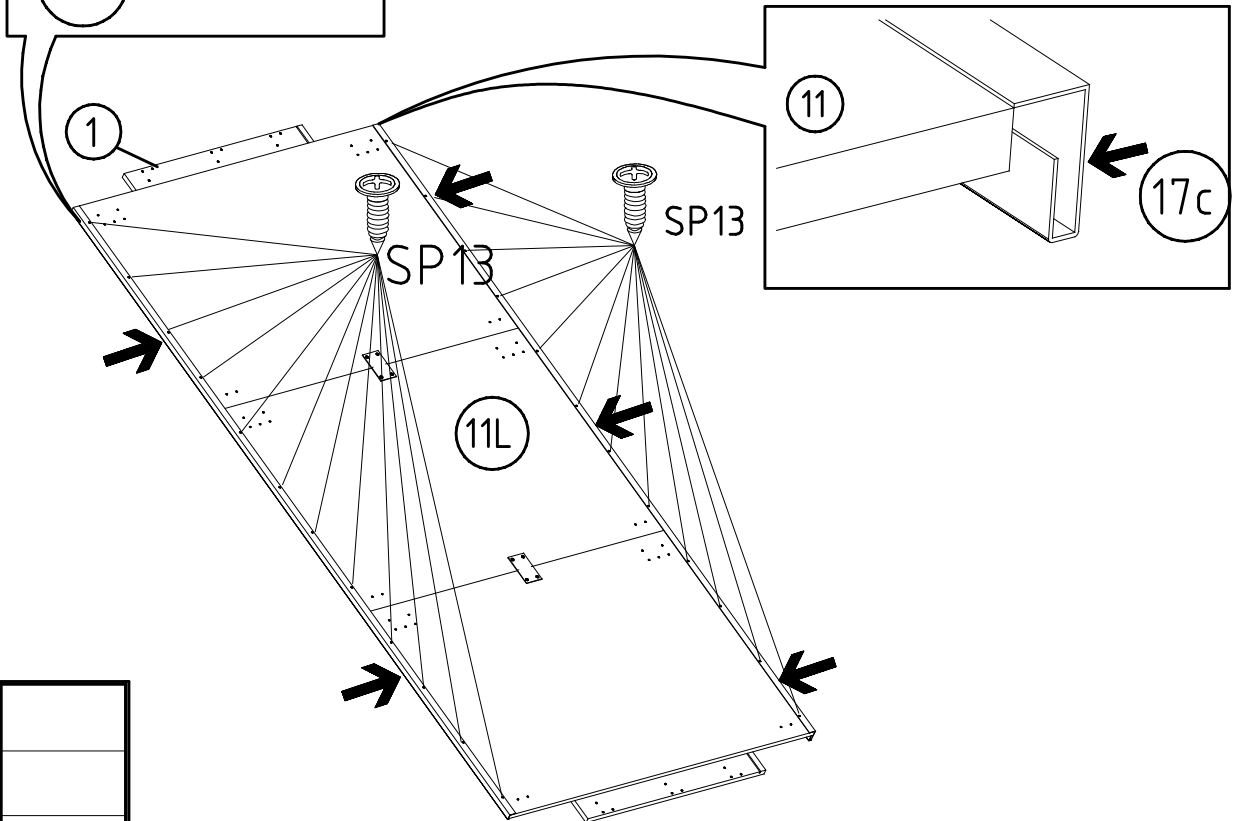
SP13
4 X 13mm
121 122



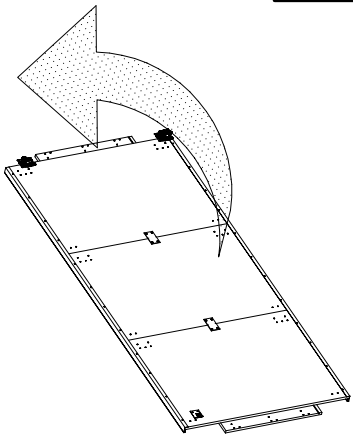
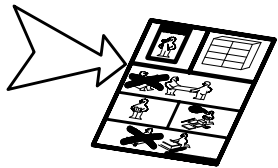
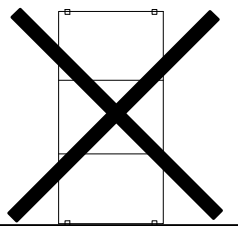
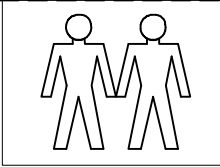
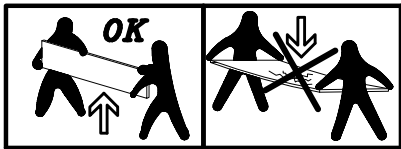
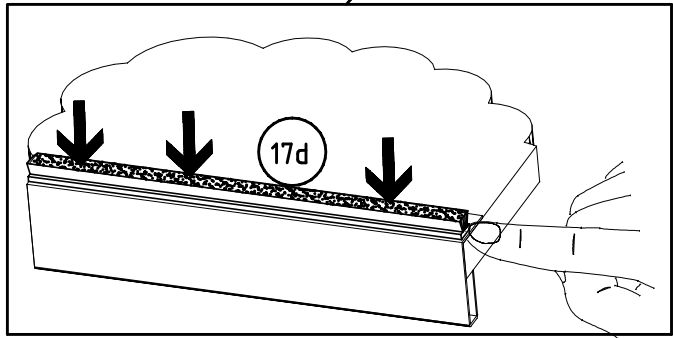
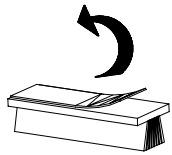
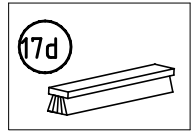
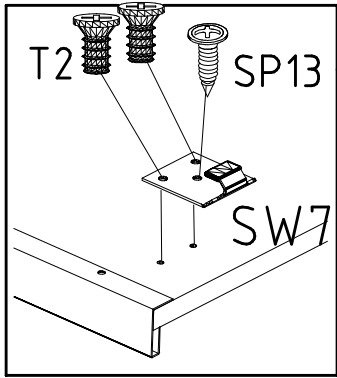
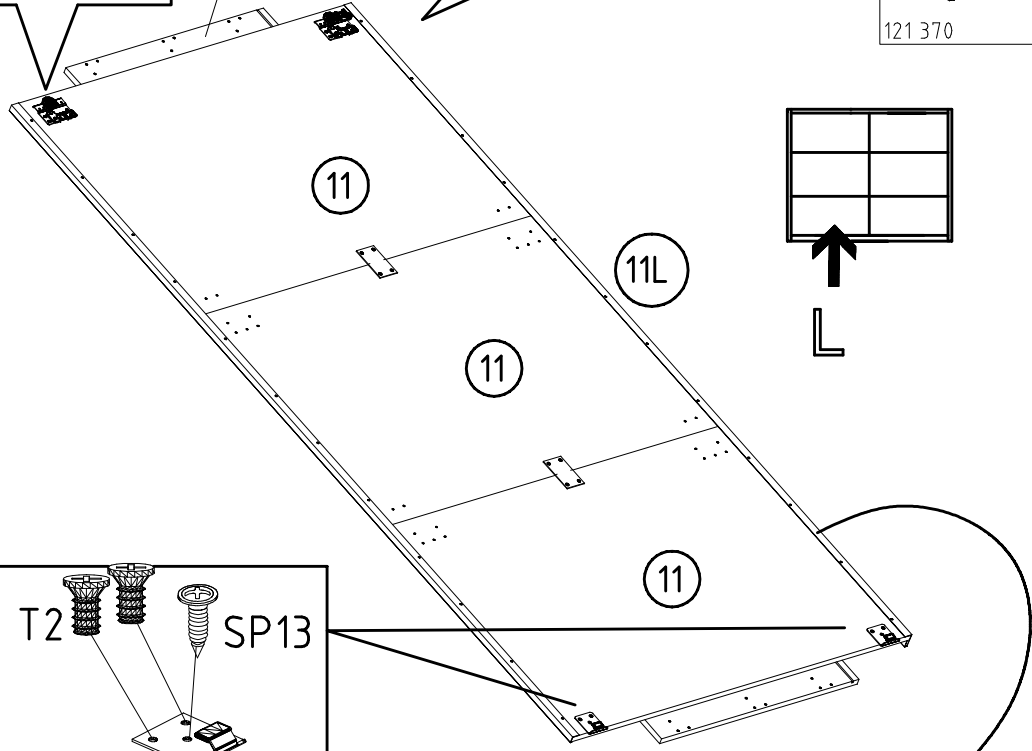
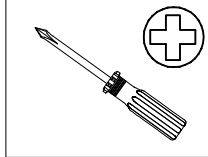
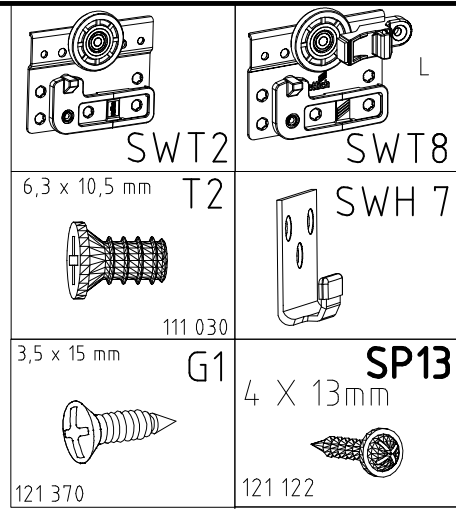
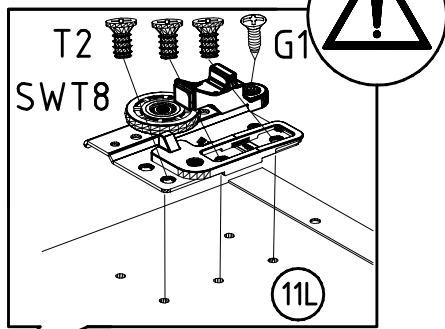
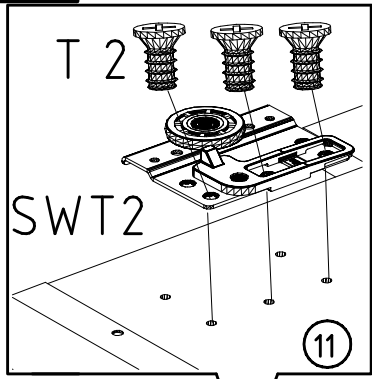
5



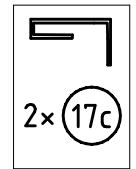
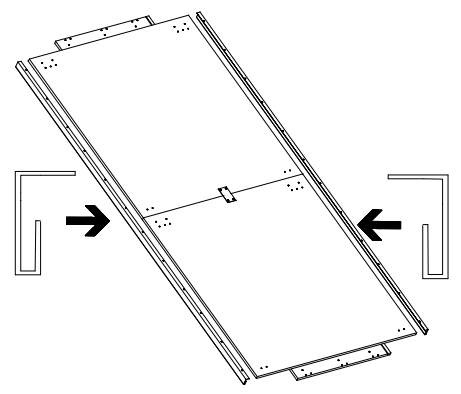
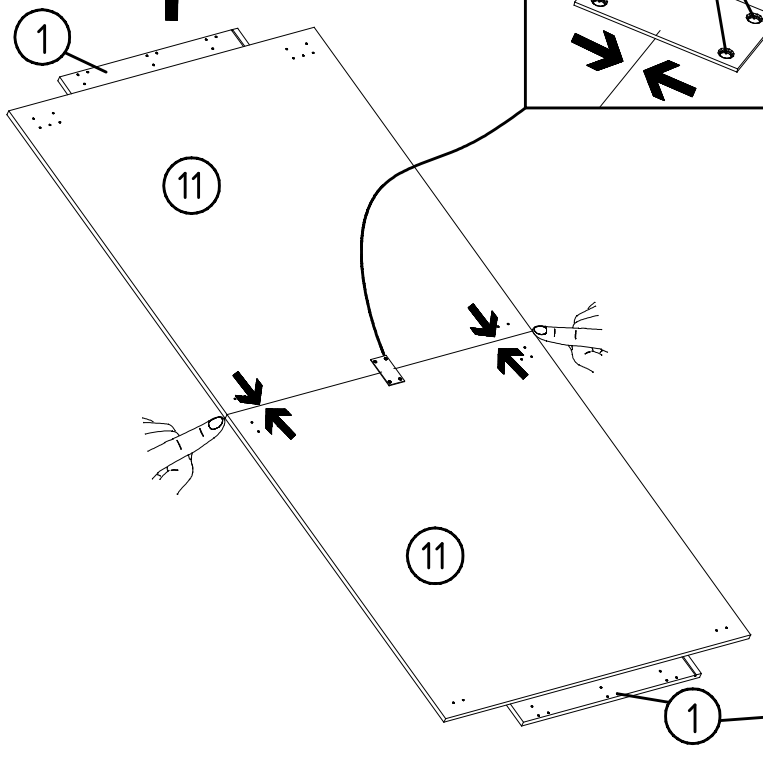
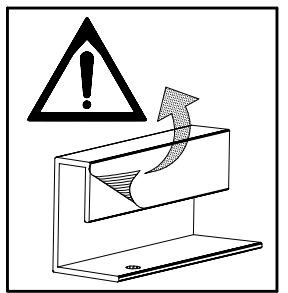
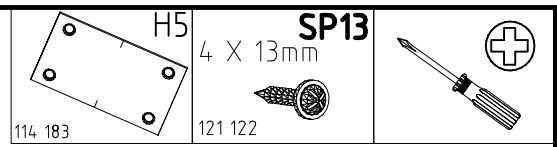
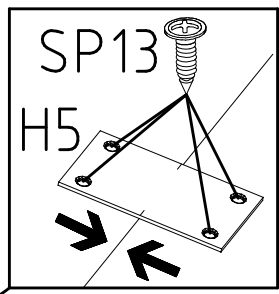
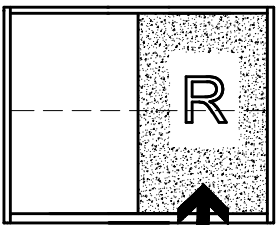
SP13
4 X 13mm
121 122



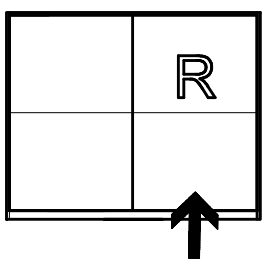
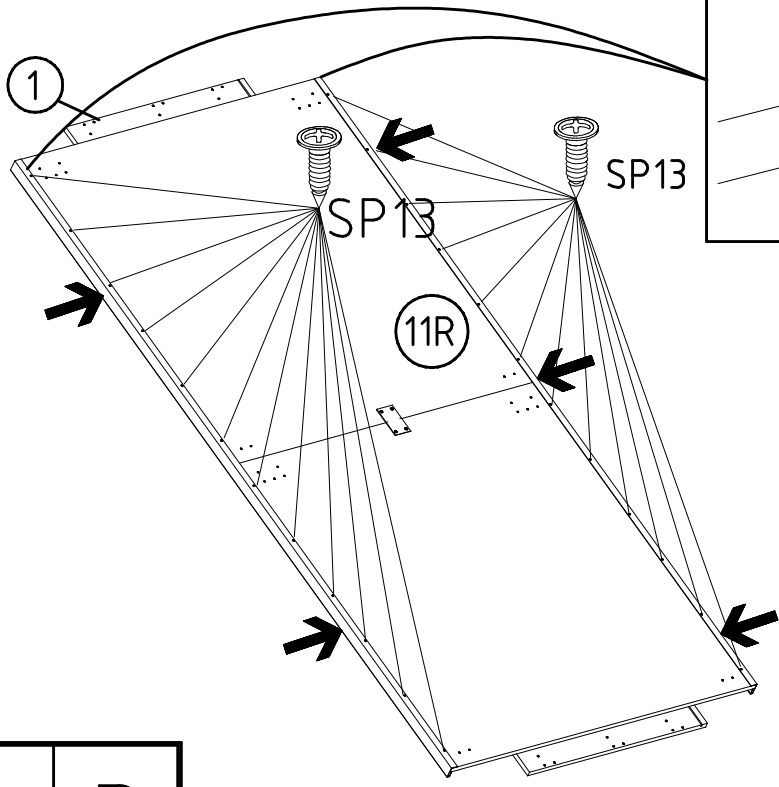
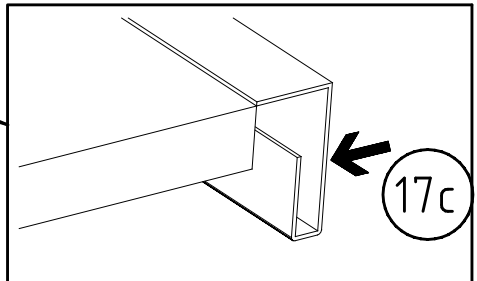
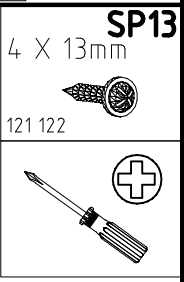
6



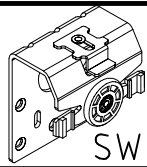
1



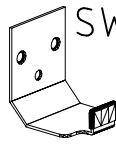
2



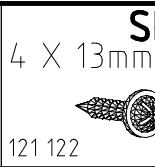
3



SWT 1

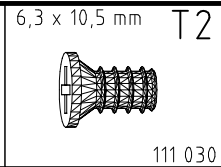


SWH 6



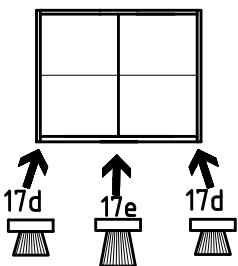
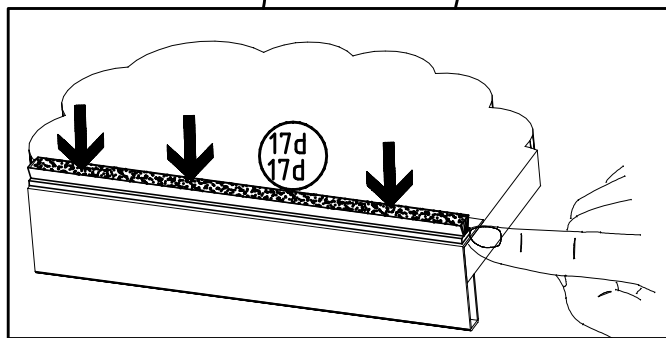
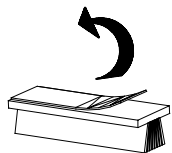
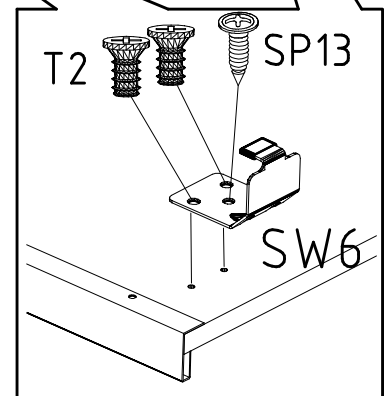
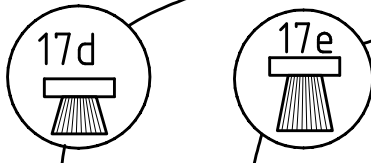
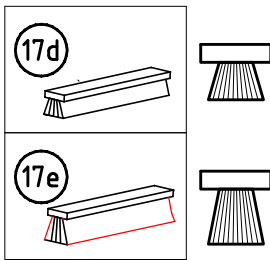
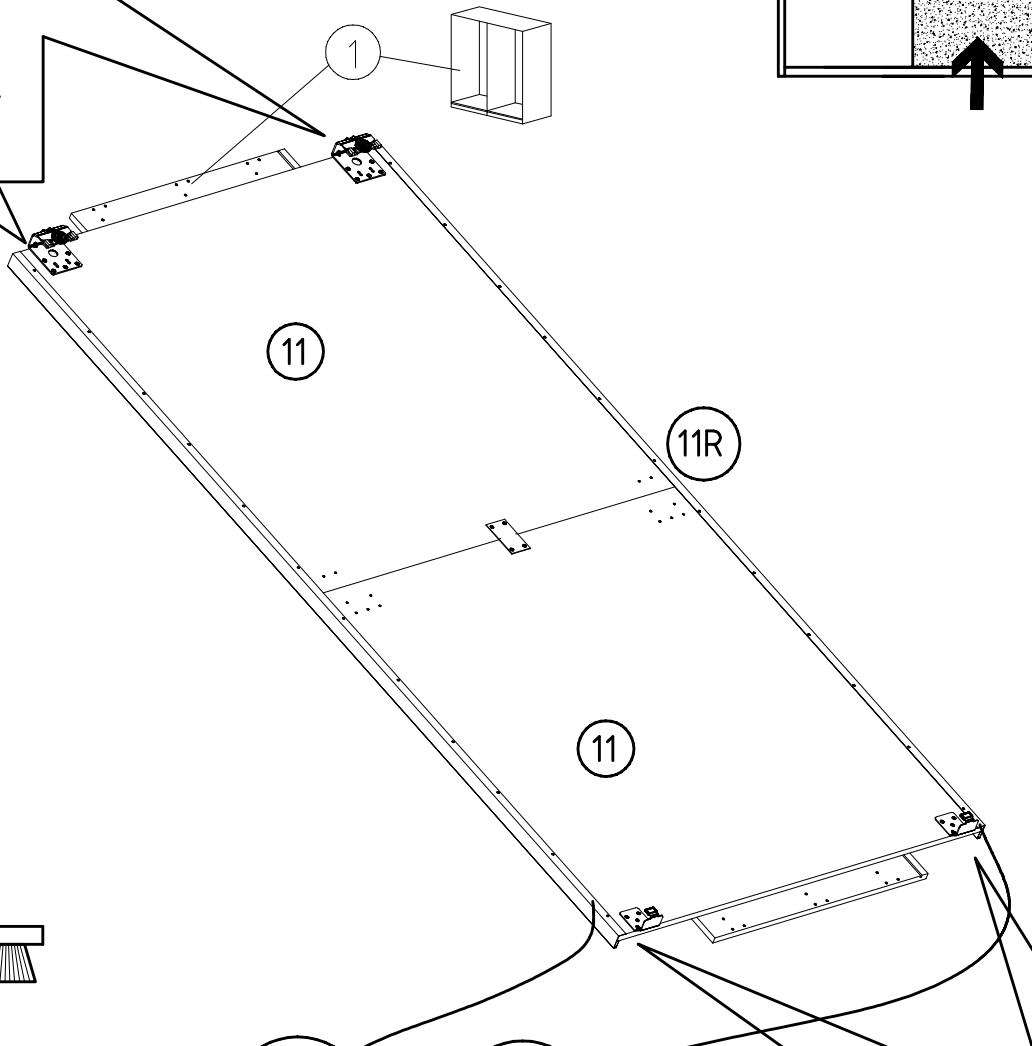
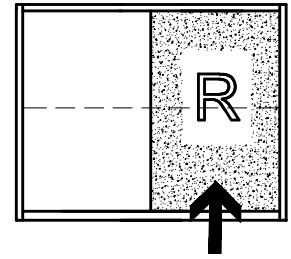
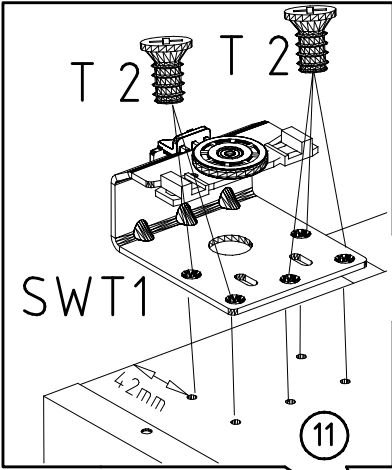
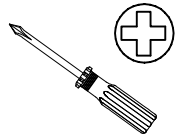
SP13

4 X 13mm

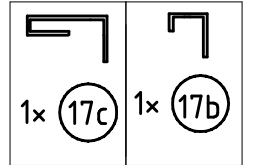
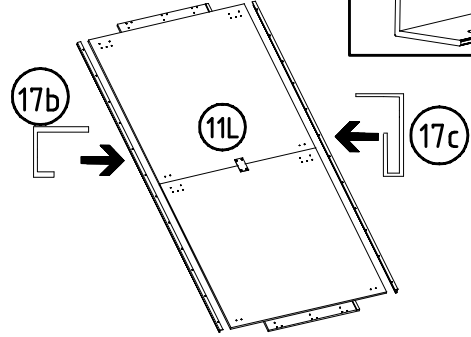
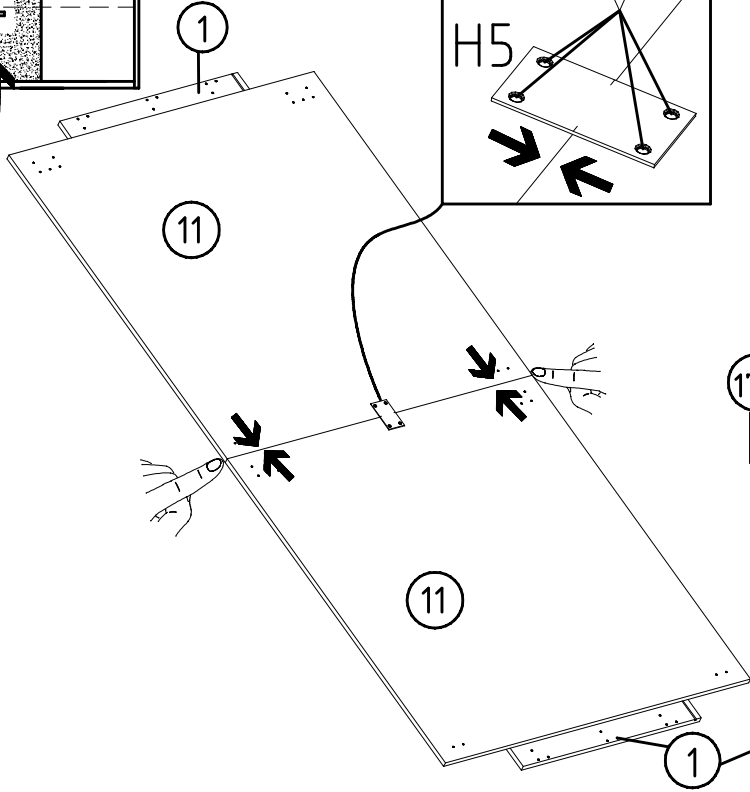
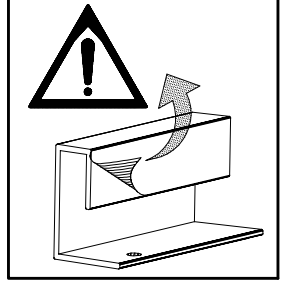
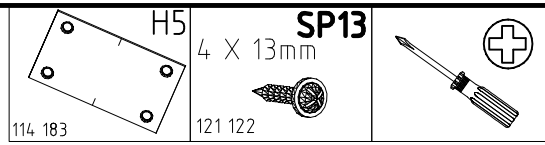
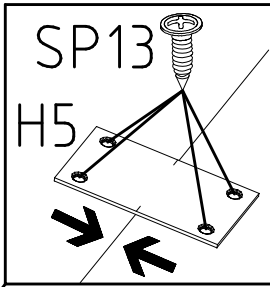
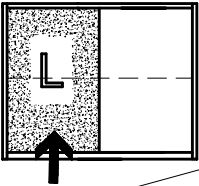


6,3 x 10,5 mm T2

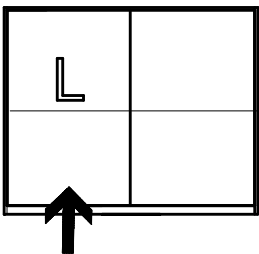
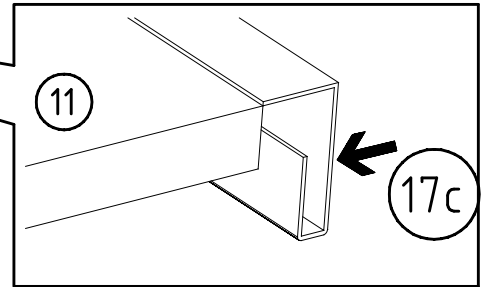
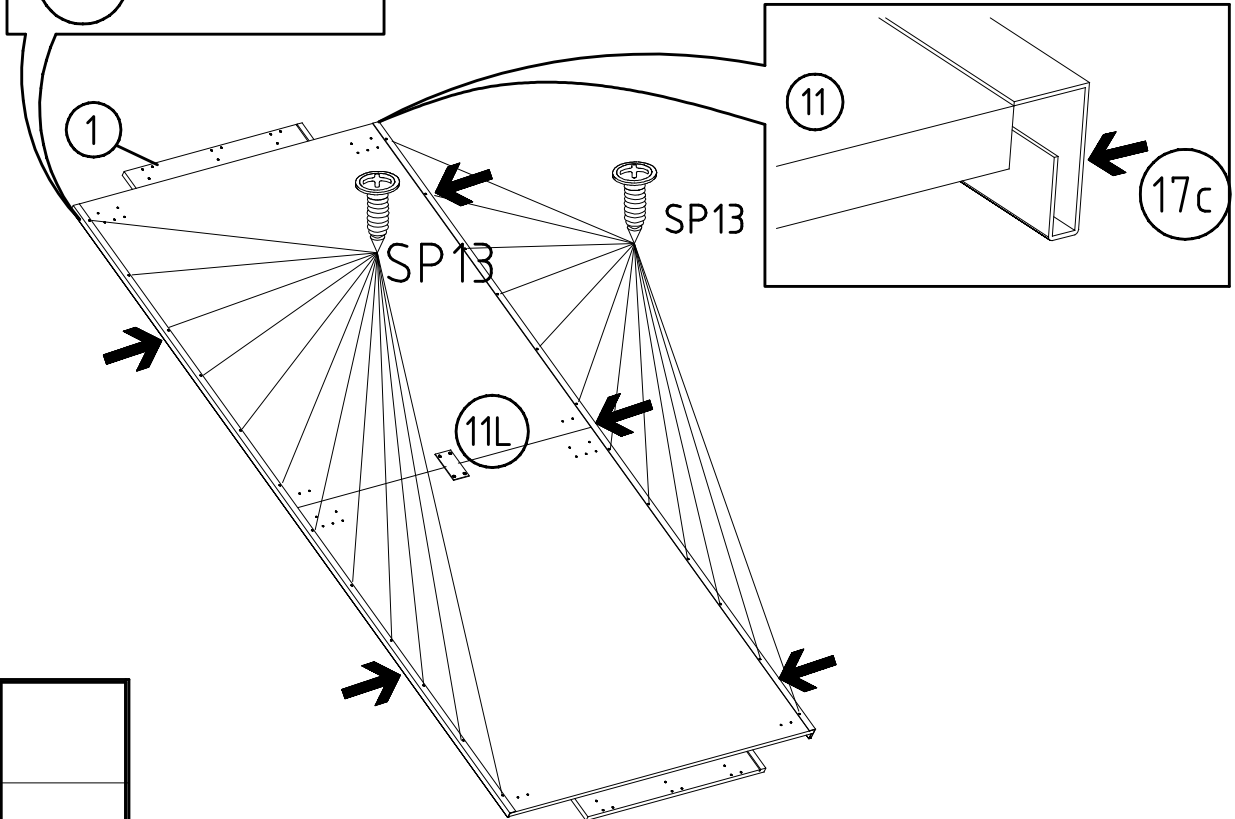
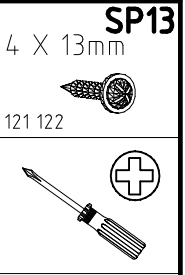
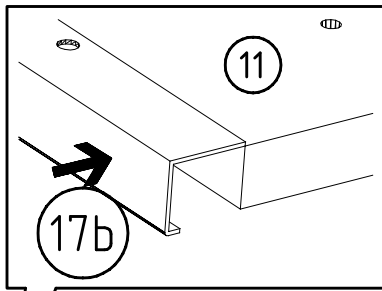
111 030



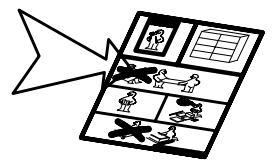
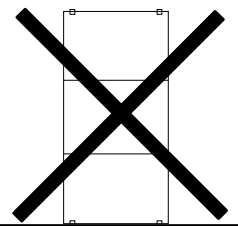
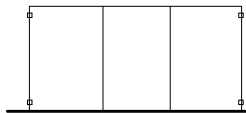
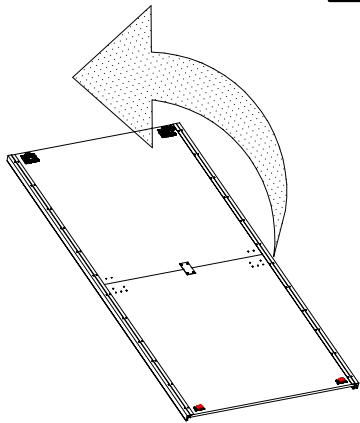
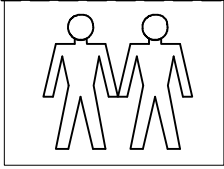
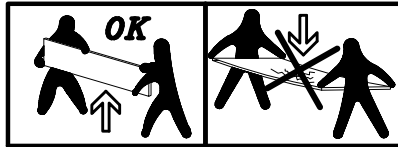
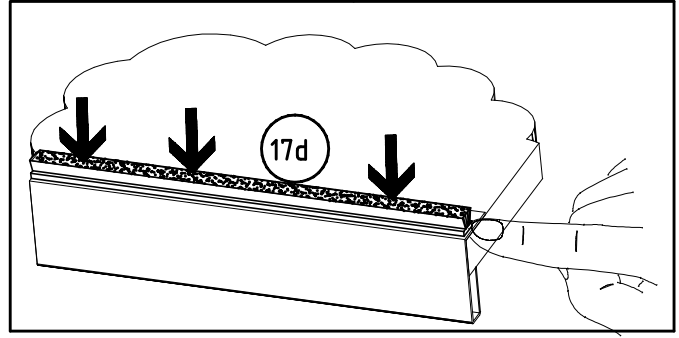
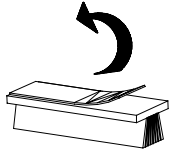
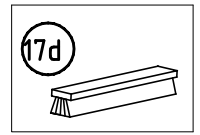
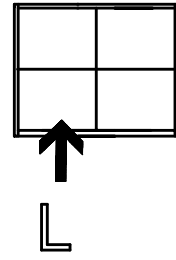
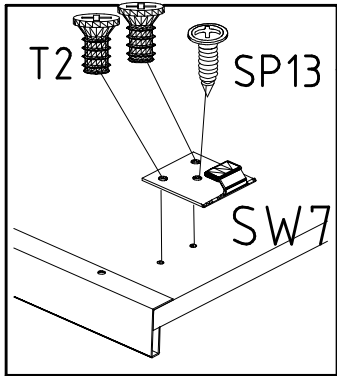
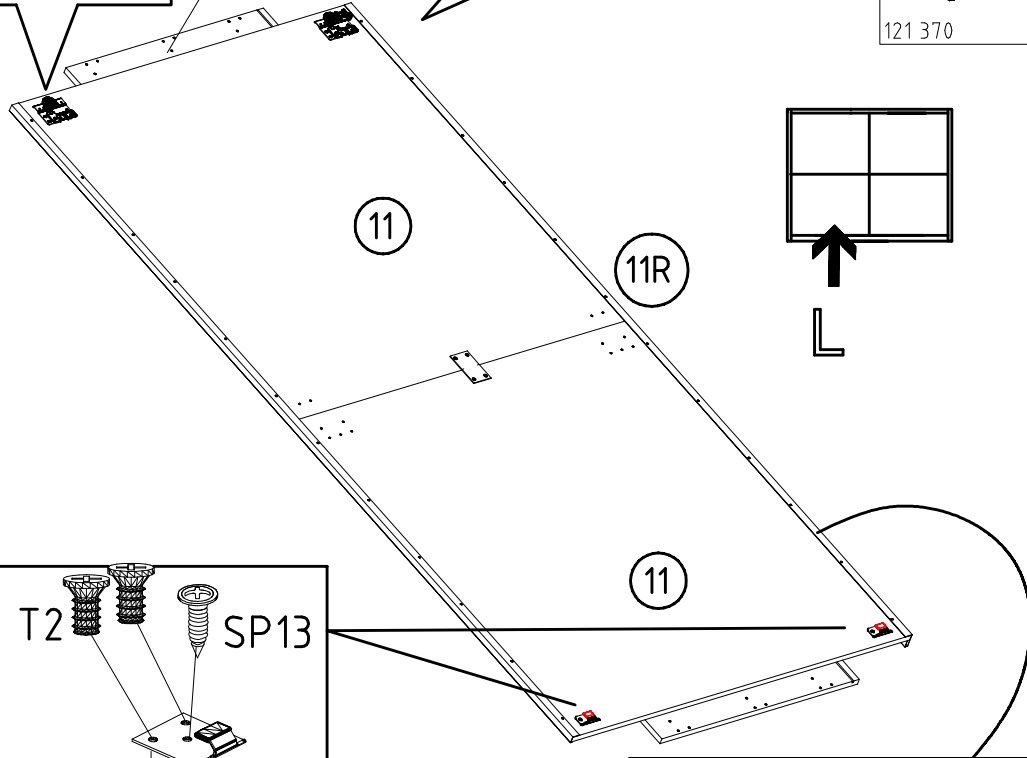
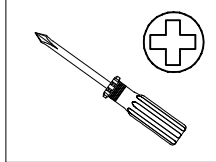
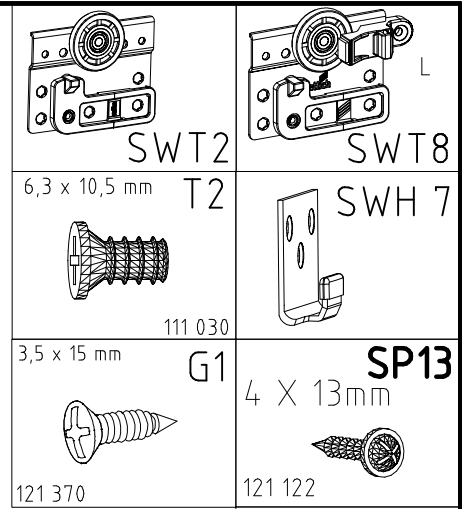
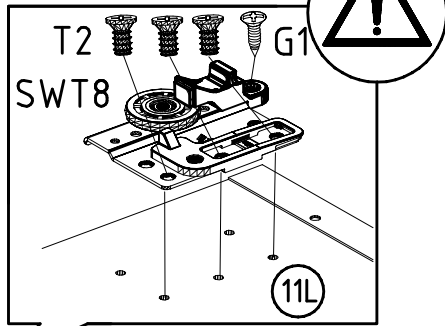
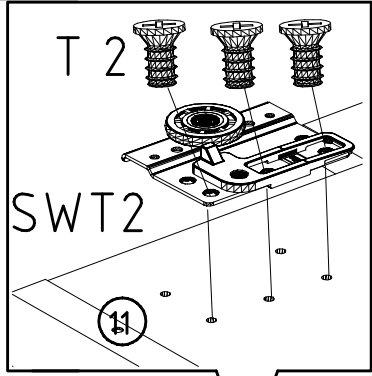
4

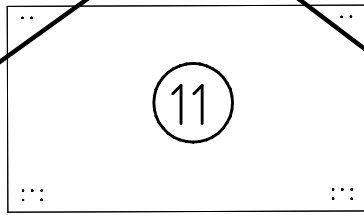
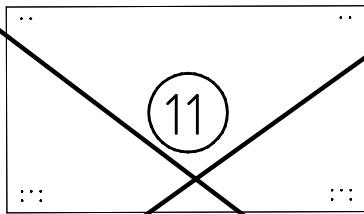
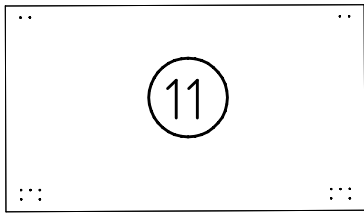
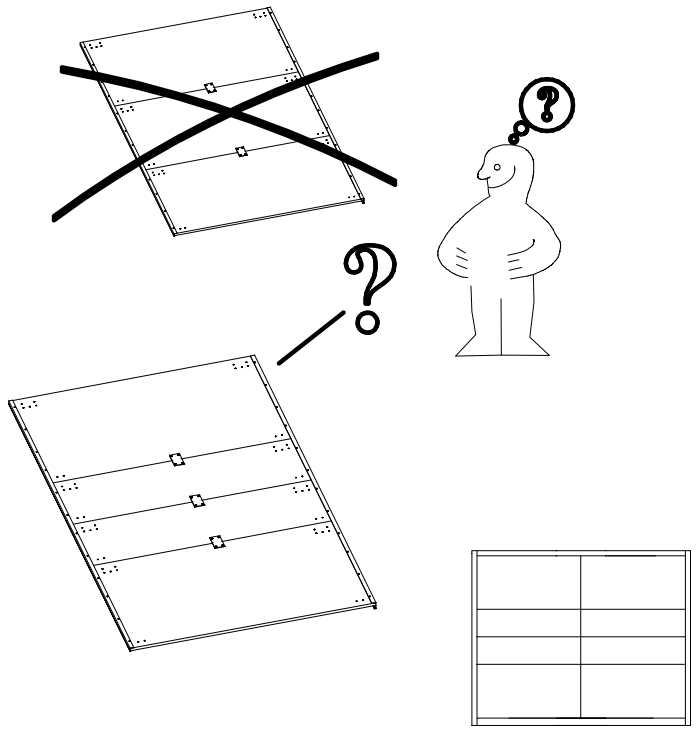
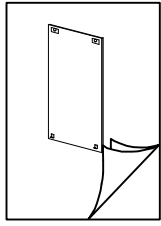
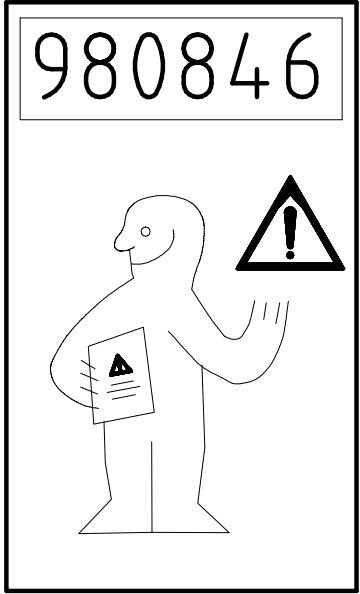


5

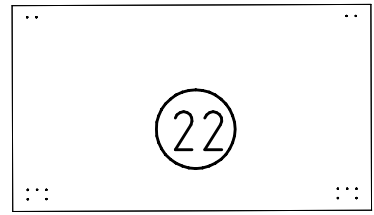


6

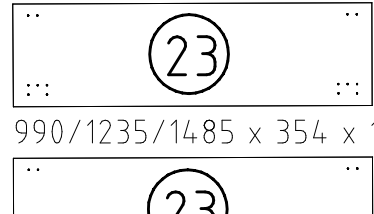




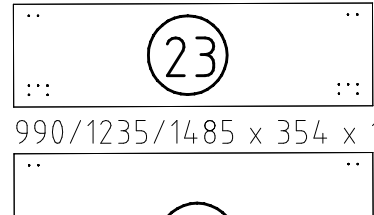
6x 990/1235/1485 x 708 x 15



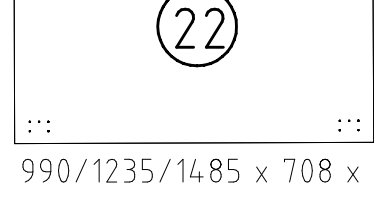
2x 990/1235/1485 x 708 x 15



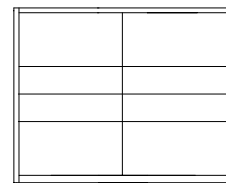
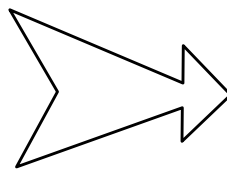
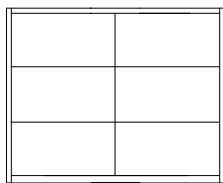
2x 990/1235/1485 x 354 x 15



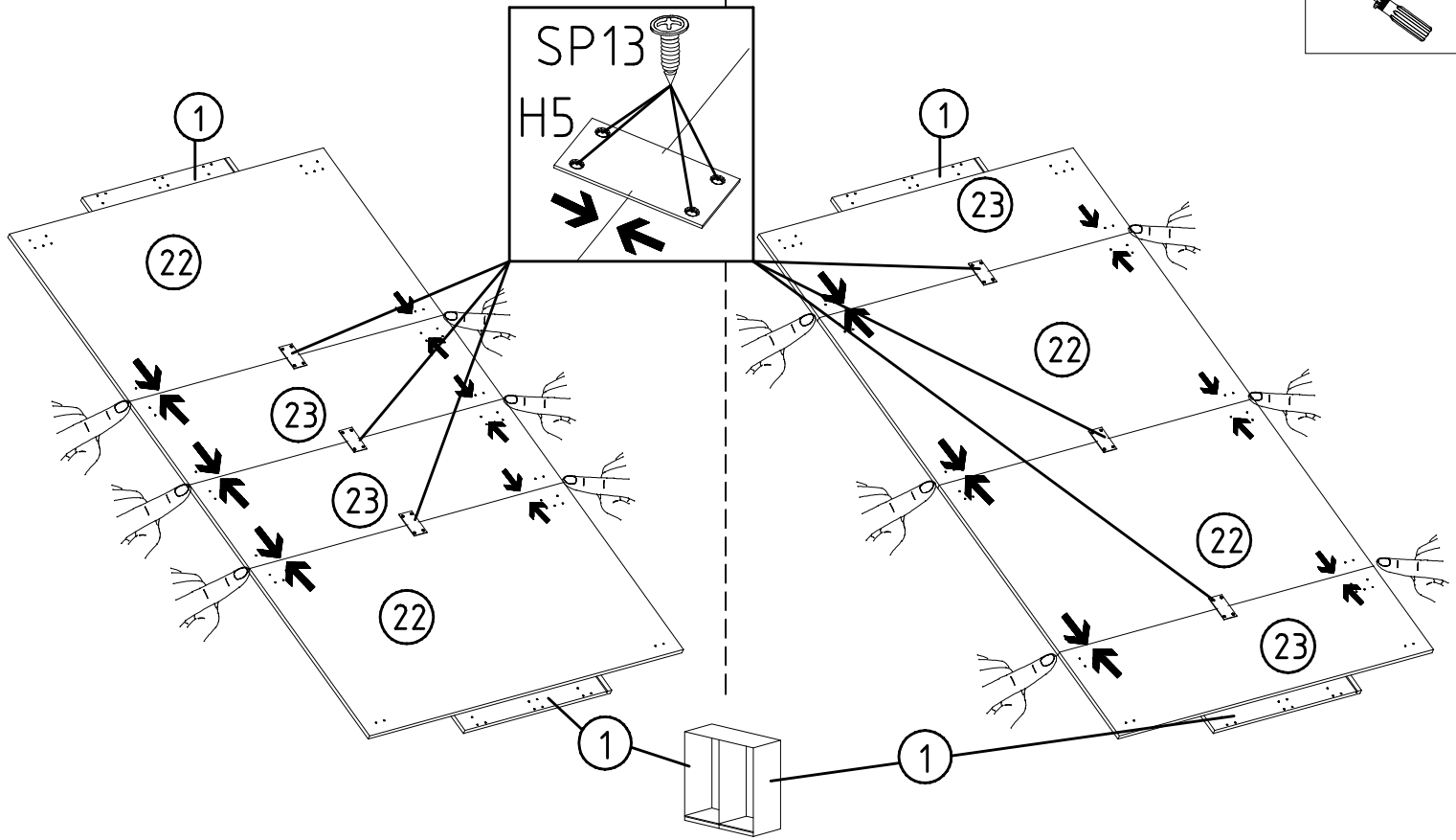
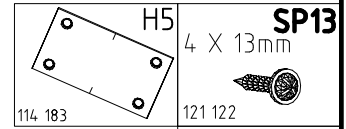
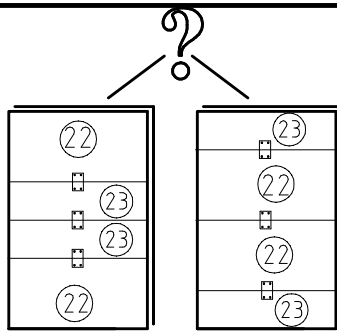
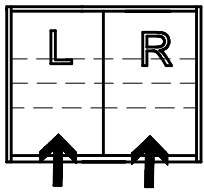
2x 990/1235/1485 x 354 x 15



2x 990/1235/1485 x 708 x 15



1



2

