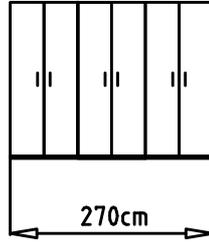
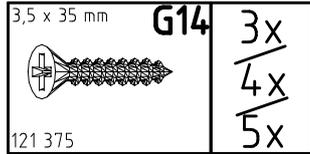
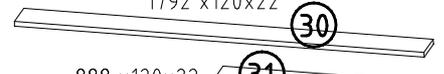


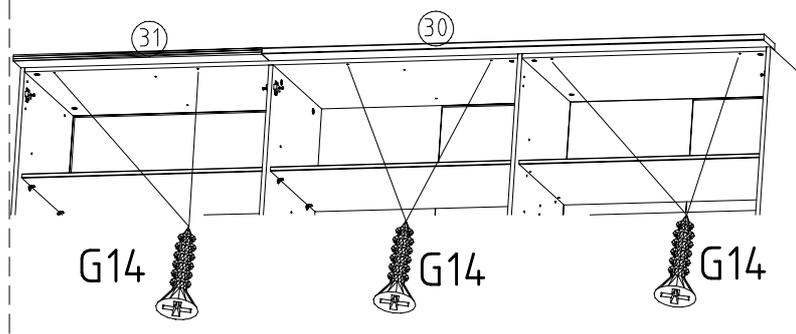
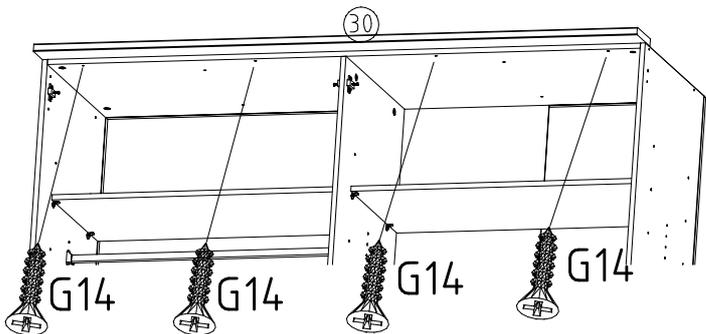
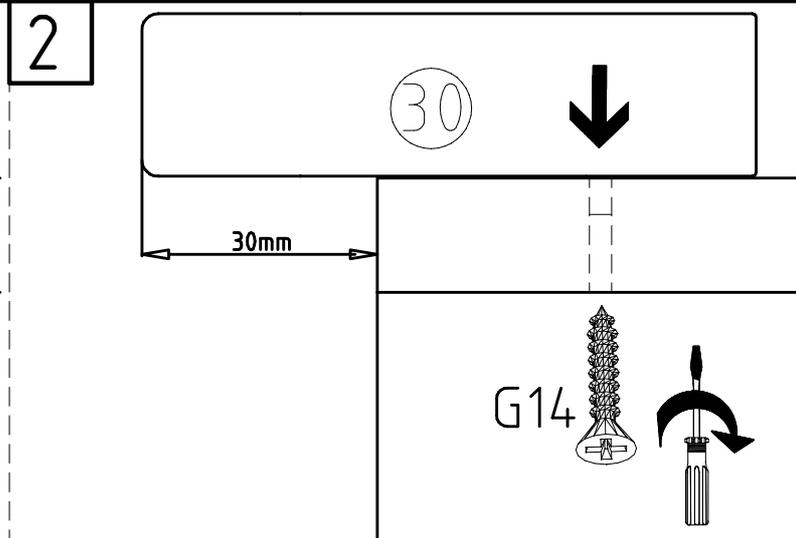
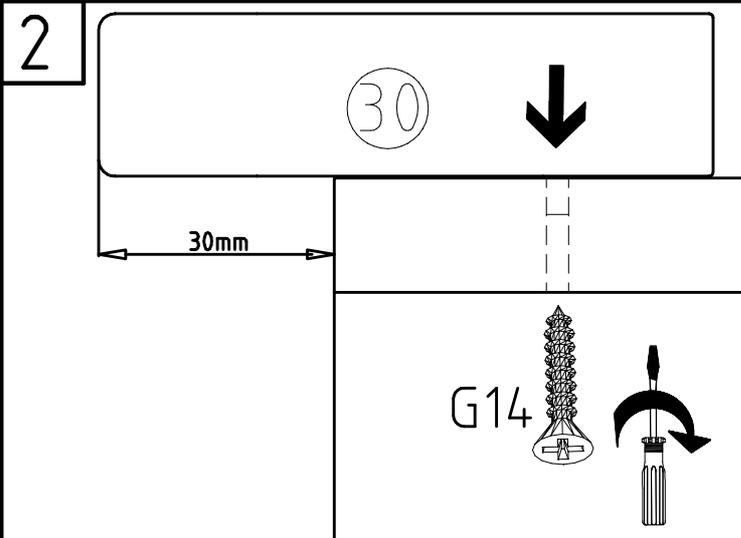
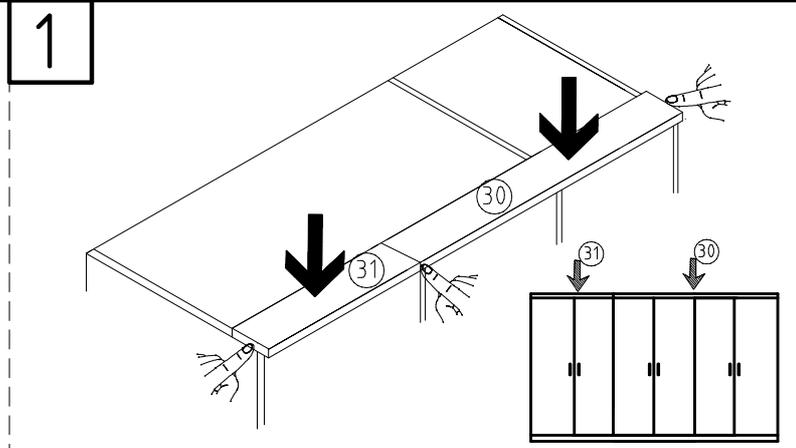
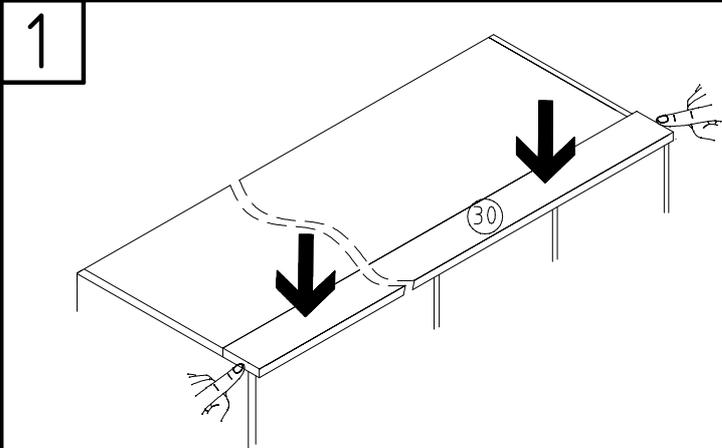
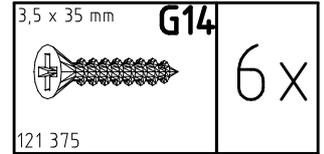
1348/ 1792/ 2236 x120x22



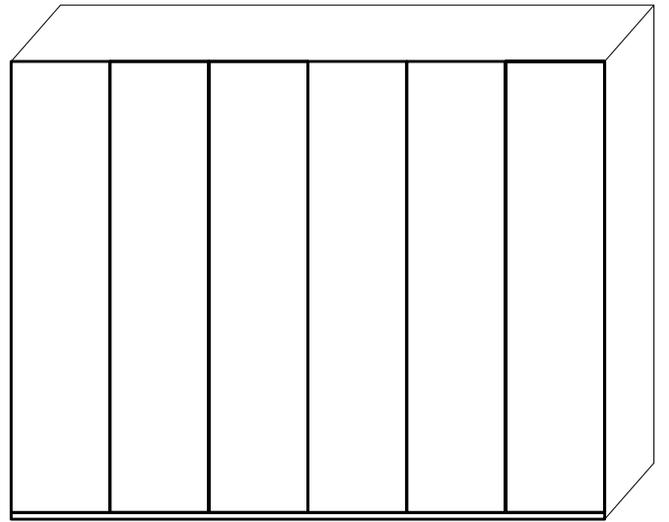
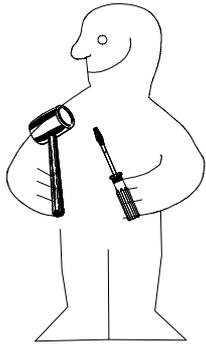
1792 x120x22



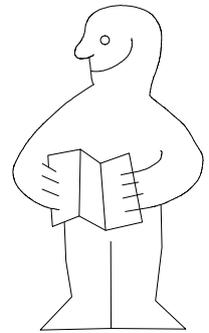
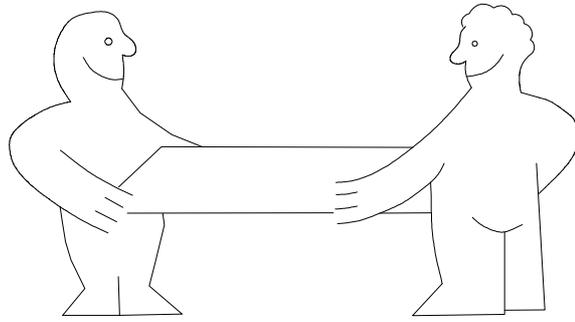
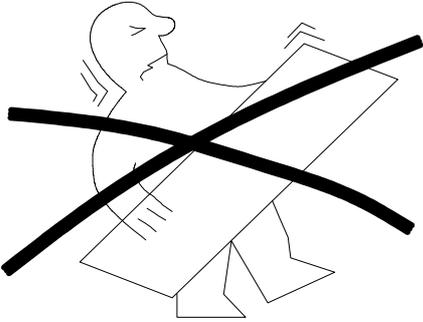
888 x120x22



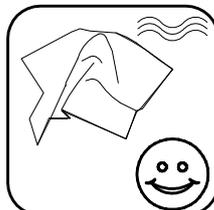
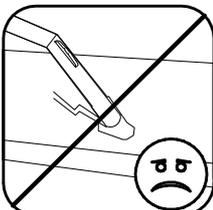
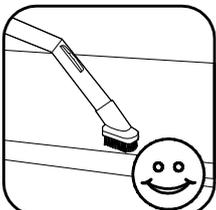
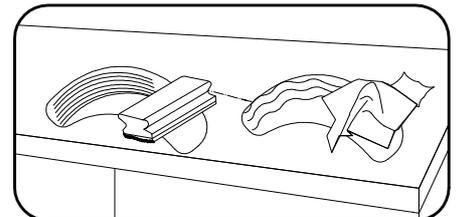
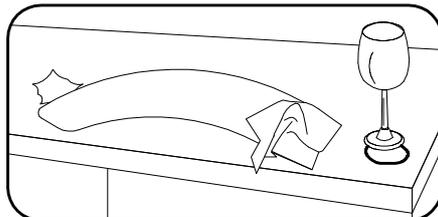
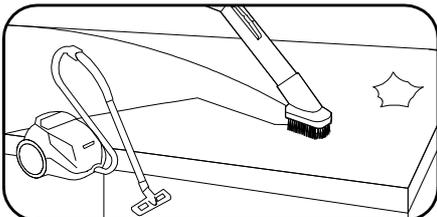
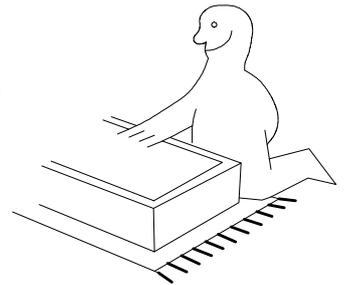
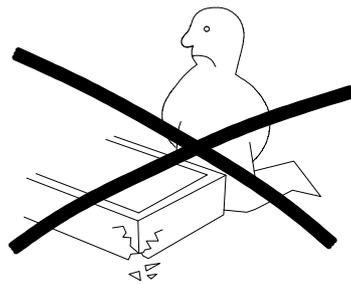
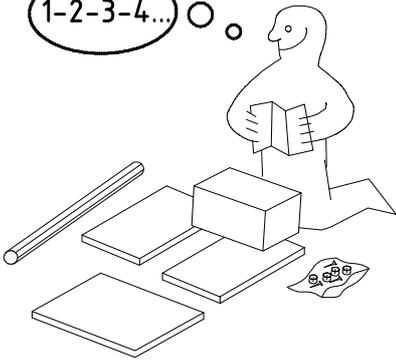
980346



N 270



1-2-3-4... ○

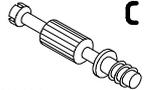
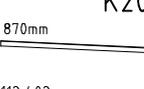


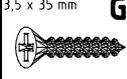
980346

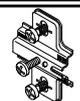
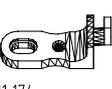
29.02.16 / -

02 16

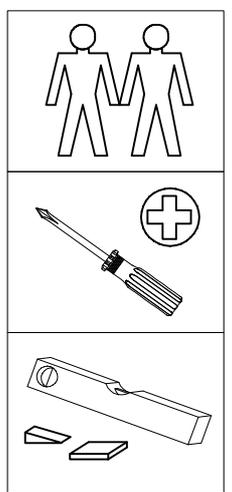
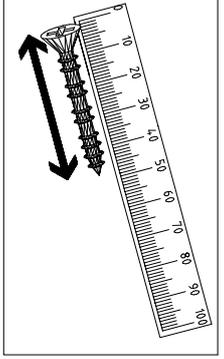
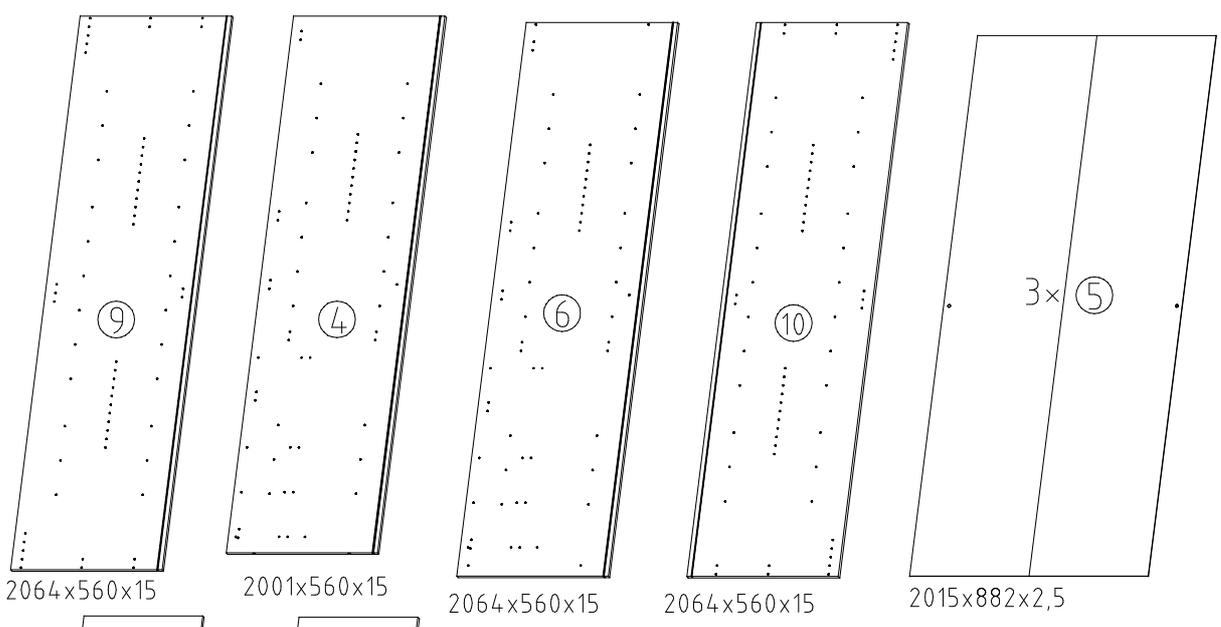
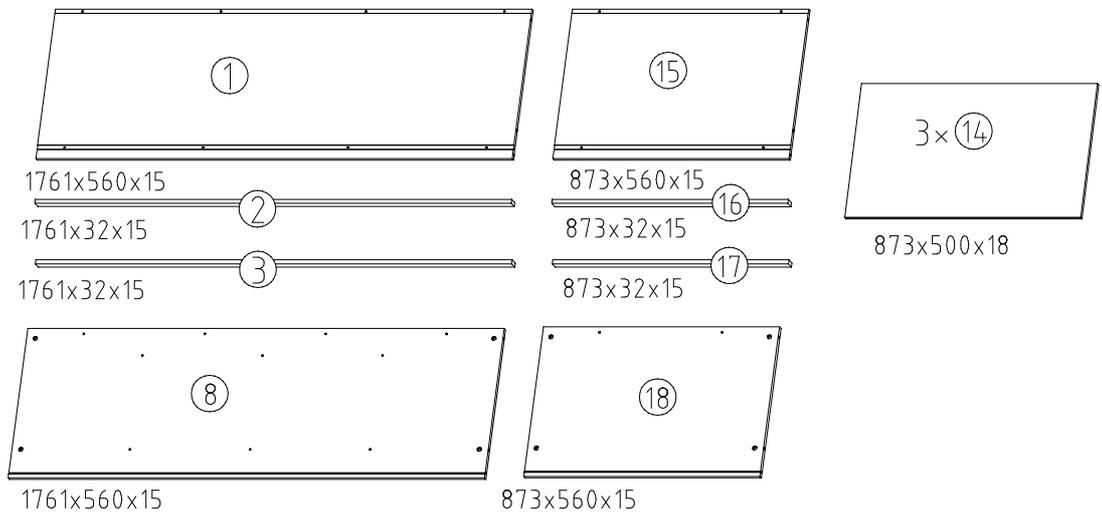
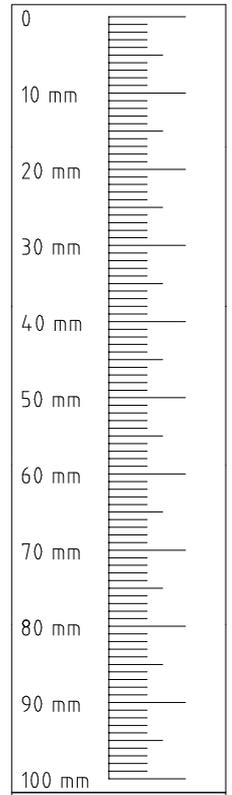
1/10

 111 103 M6 x 11 mm	<b>C</b> 12x
 121 181	<b>T6</b> 6x
 870mm 112 402	<b>K20</b> 3x

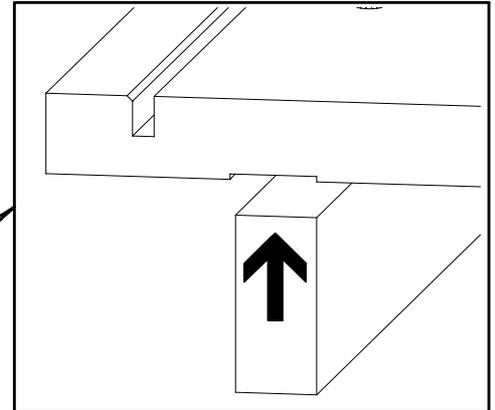
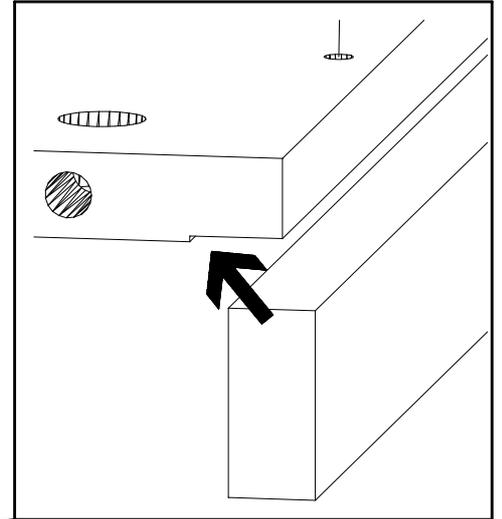
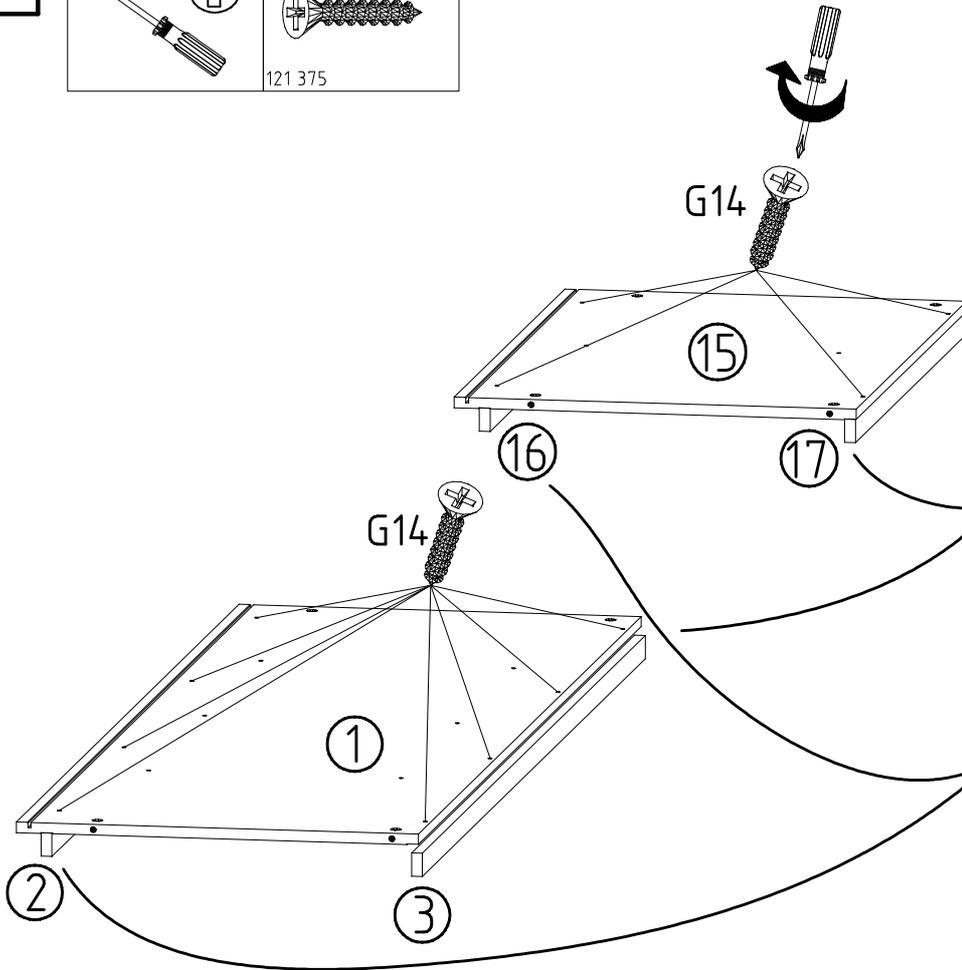
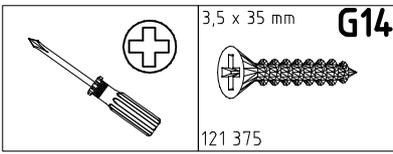
 121 375 3,5 x 35 mm	<b>G14</b> 18x
 111 610	<b>L7</b> 12x
 111 102	<b>A</b> 20x

 112 268	<b>M</b> 18x
 112 267	<b>N</b> 18x
 111 174	<b>J1</b> 6x

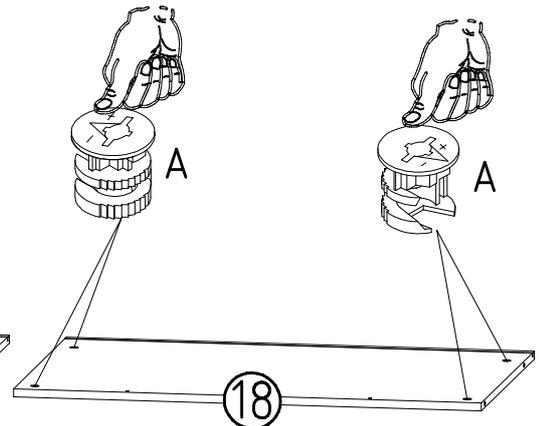
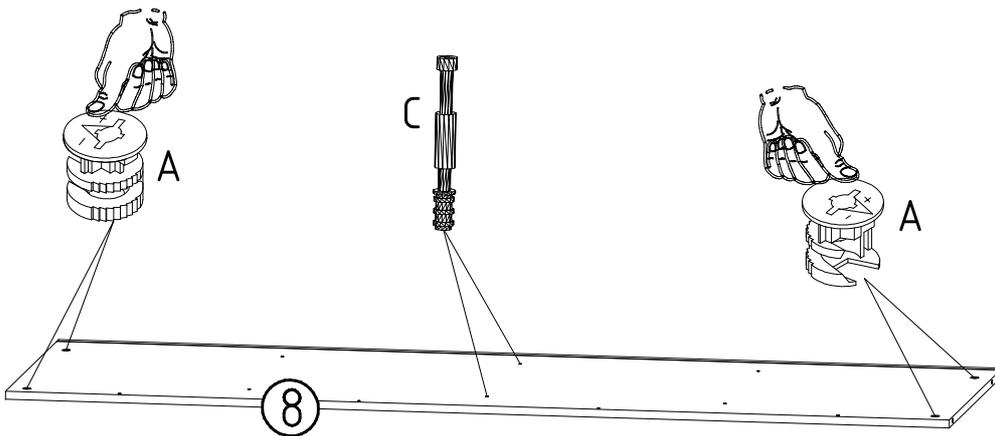
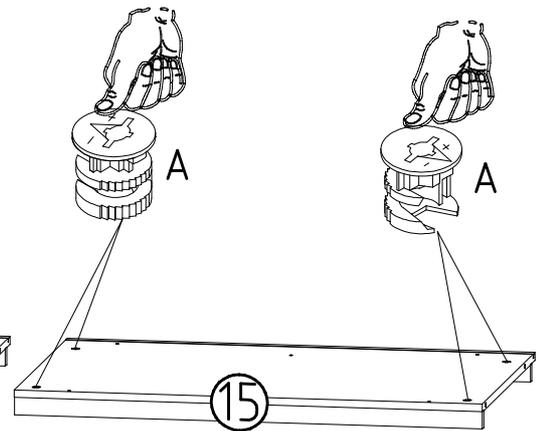
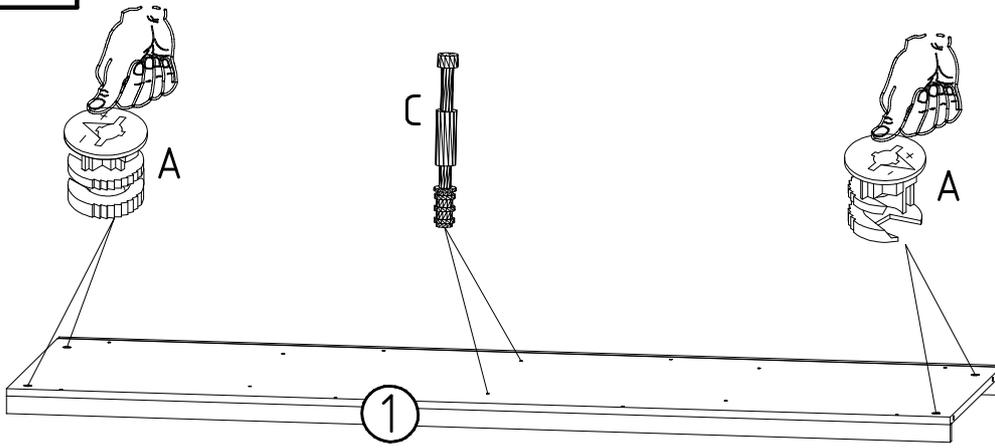
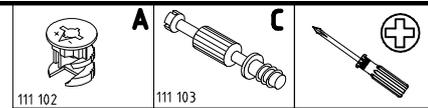
 117 001 3,5 x 15 mm	<b>F3</b> 4x
 121 370	<b>K1</b> 6x
	<b>G1</b> 12x



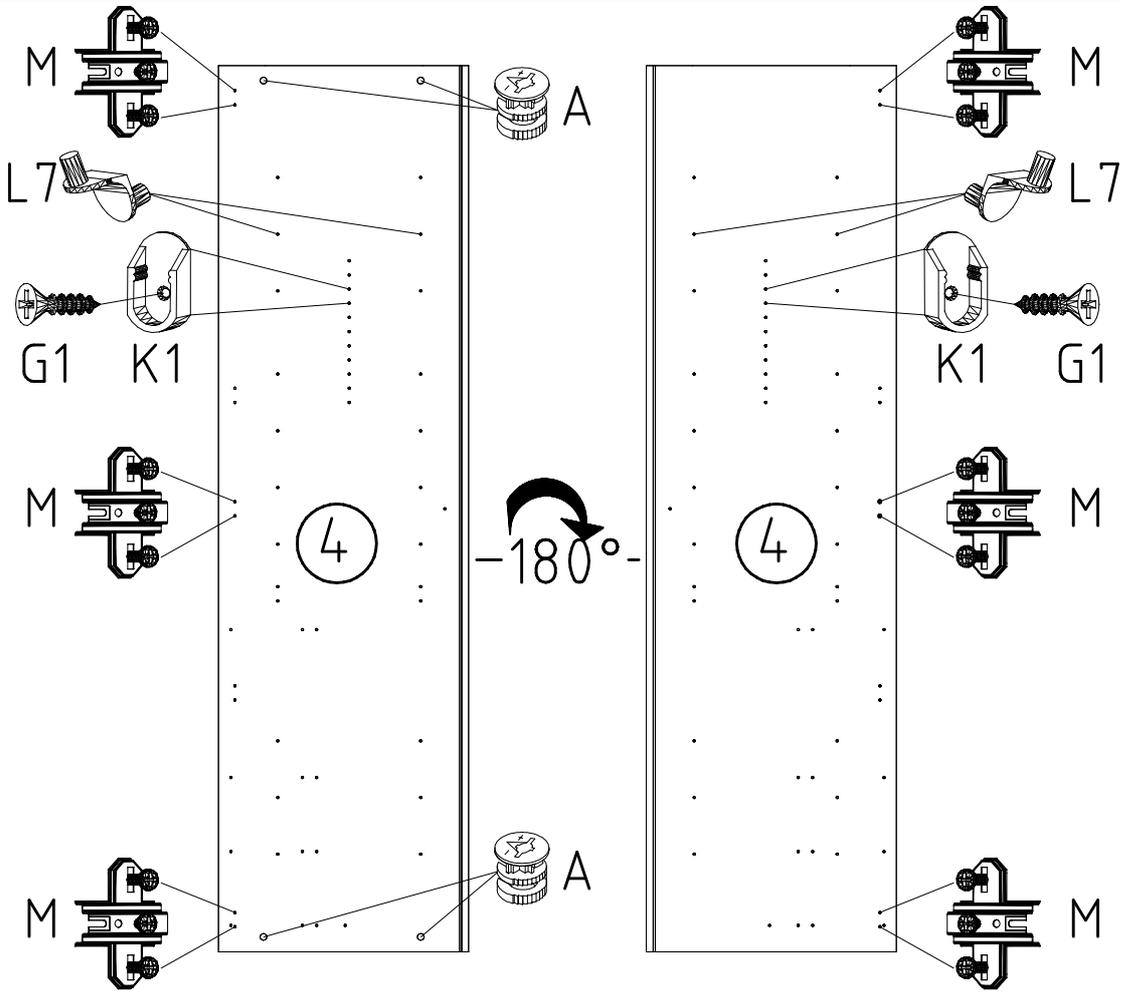
1

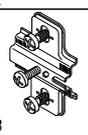


2

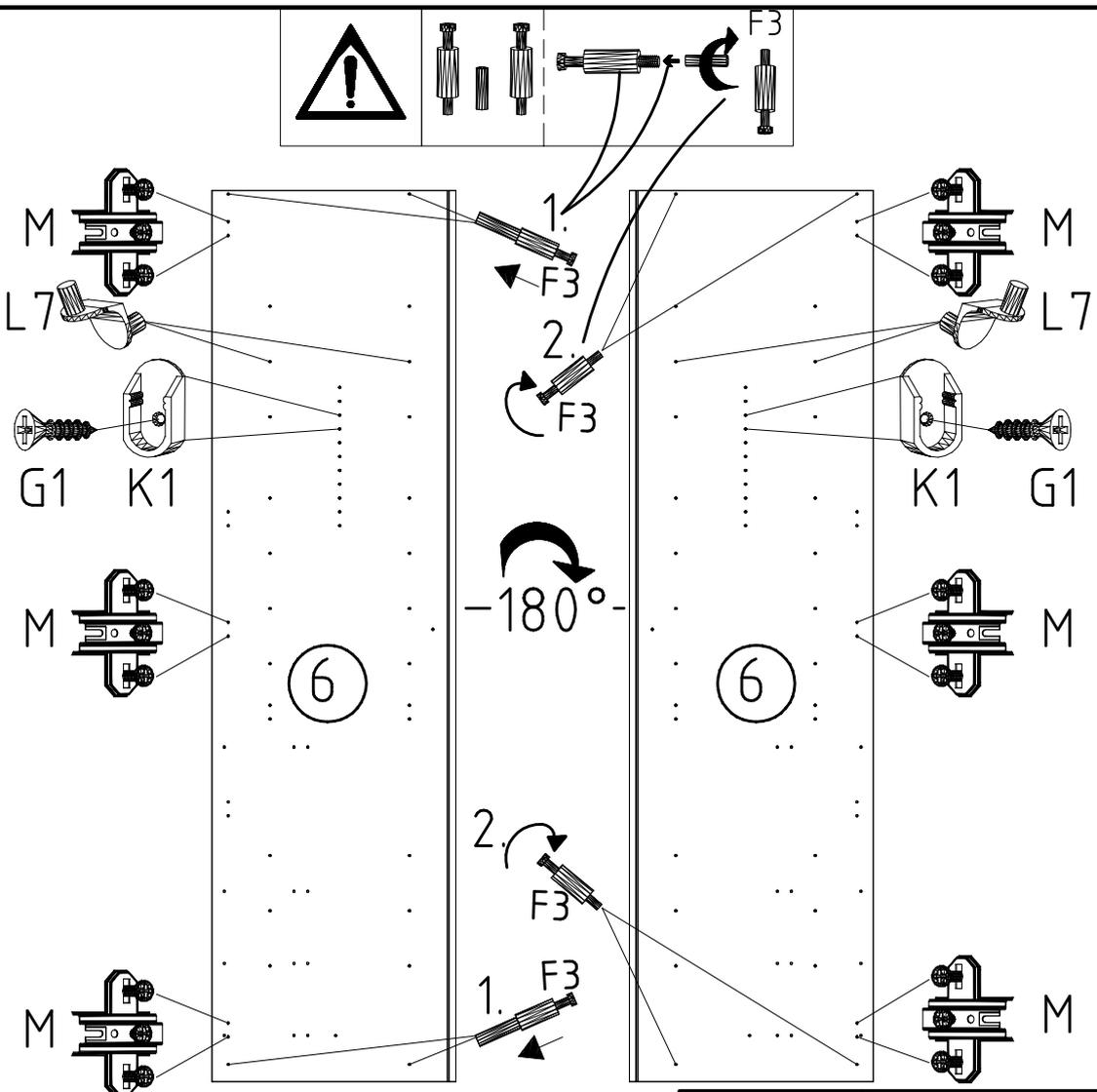


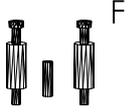
3



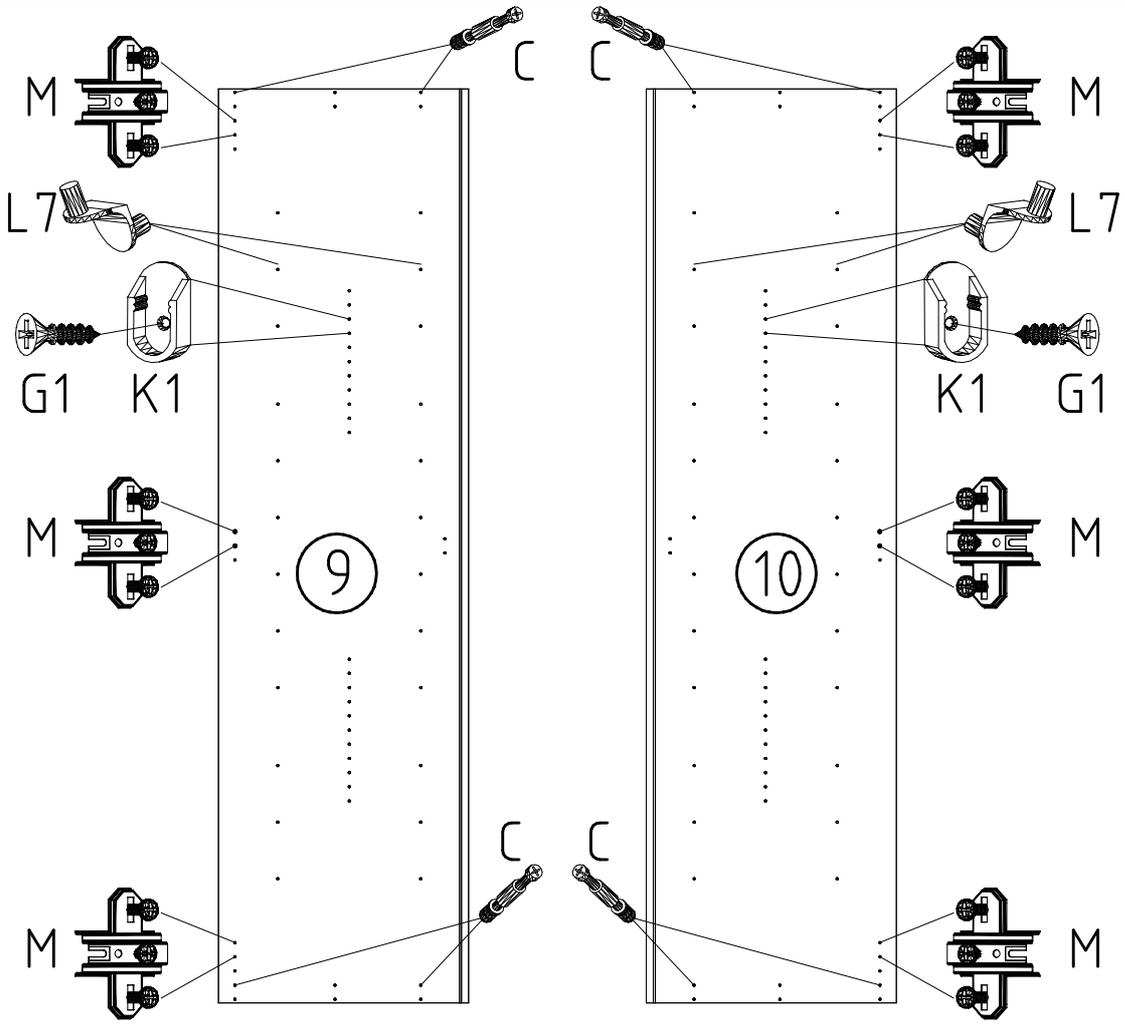
-  L7  
111 610
-  
-  K1  
117 001  
3,5 x 15 mm
-  G1  
121 370
-  A  
111 102
-  M  
112 268

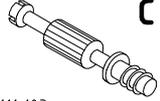
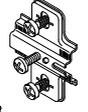
4



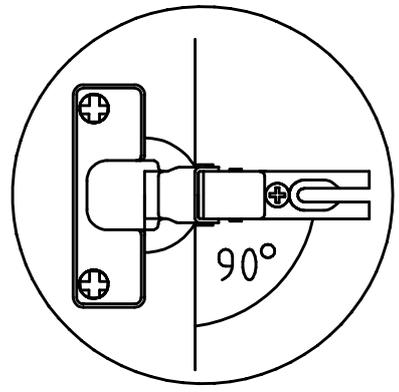
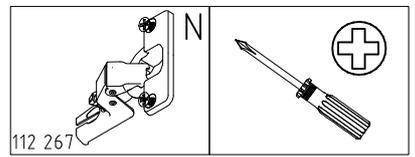
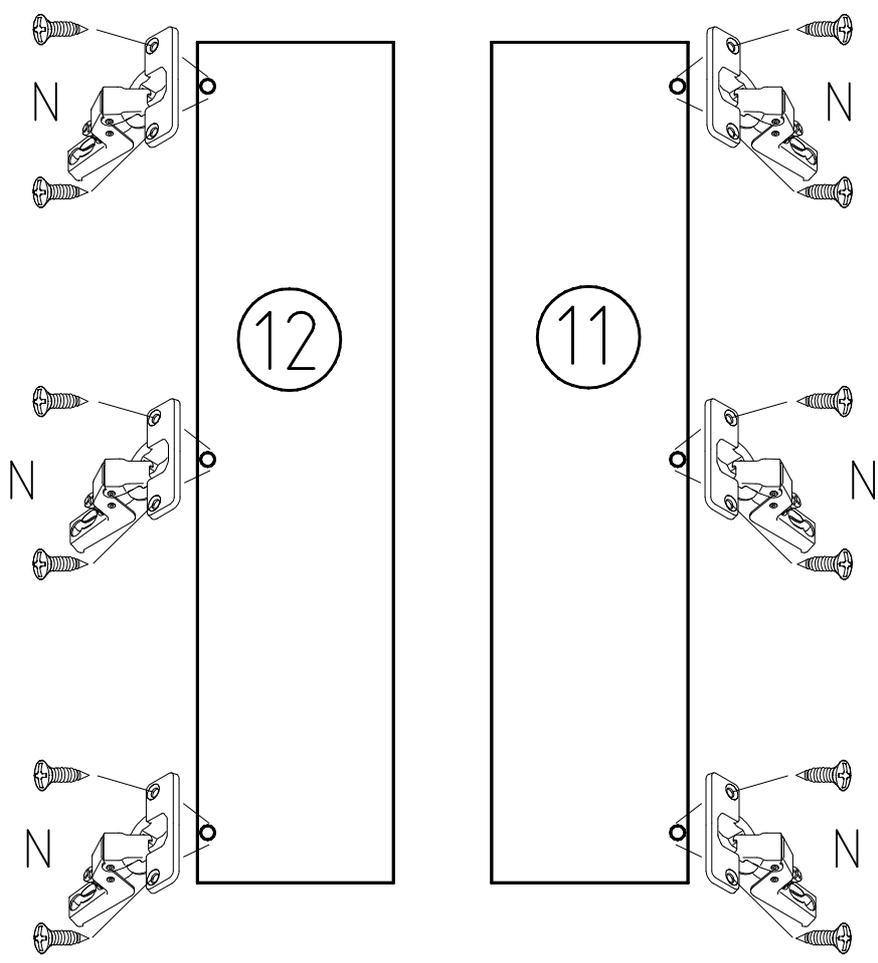
-  L7  
111 610
-  
-  K1  
117 001  
3,5 x 15 mm
-  G1  
121 370
-  F3
-  M  
112 268

5

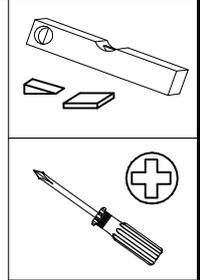
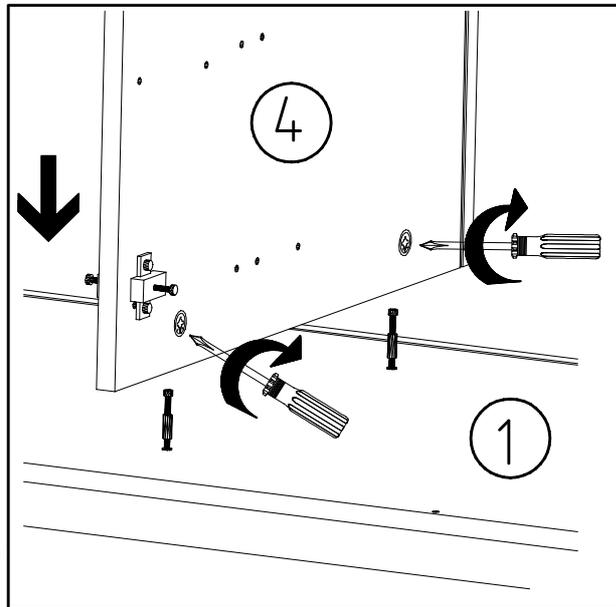
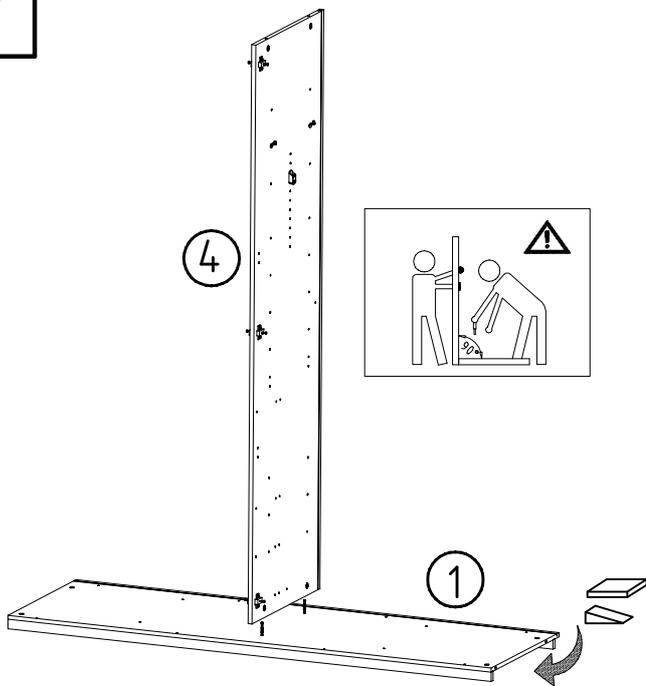


-  L7
- 111 610  
-  K1
- 117 001  
3,5 x 15 mm **G1**
- 121 370 
- 111 103  C
- 112 268  M

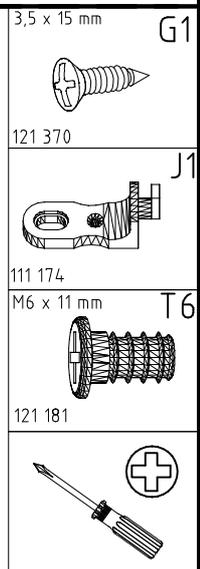
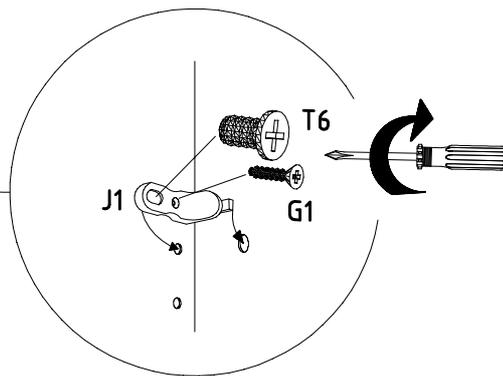
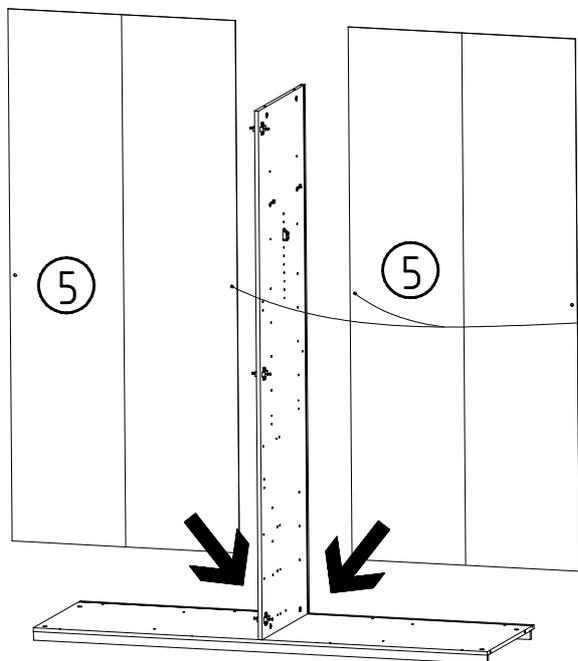
6



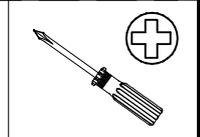
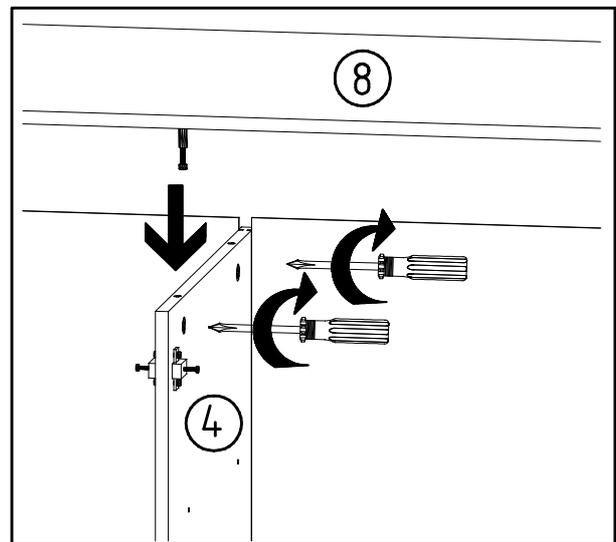
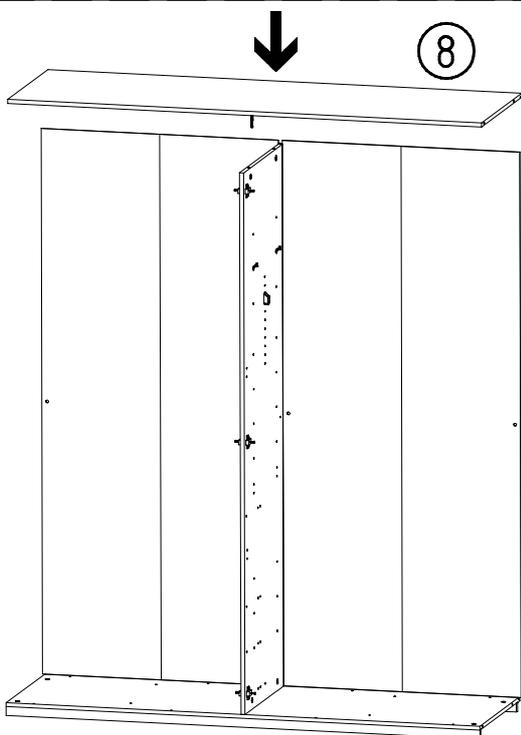
7



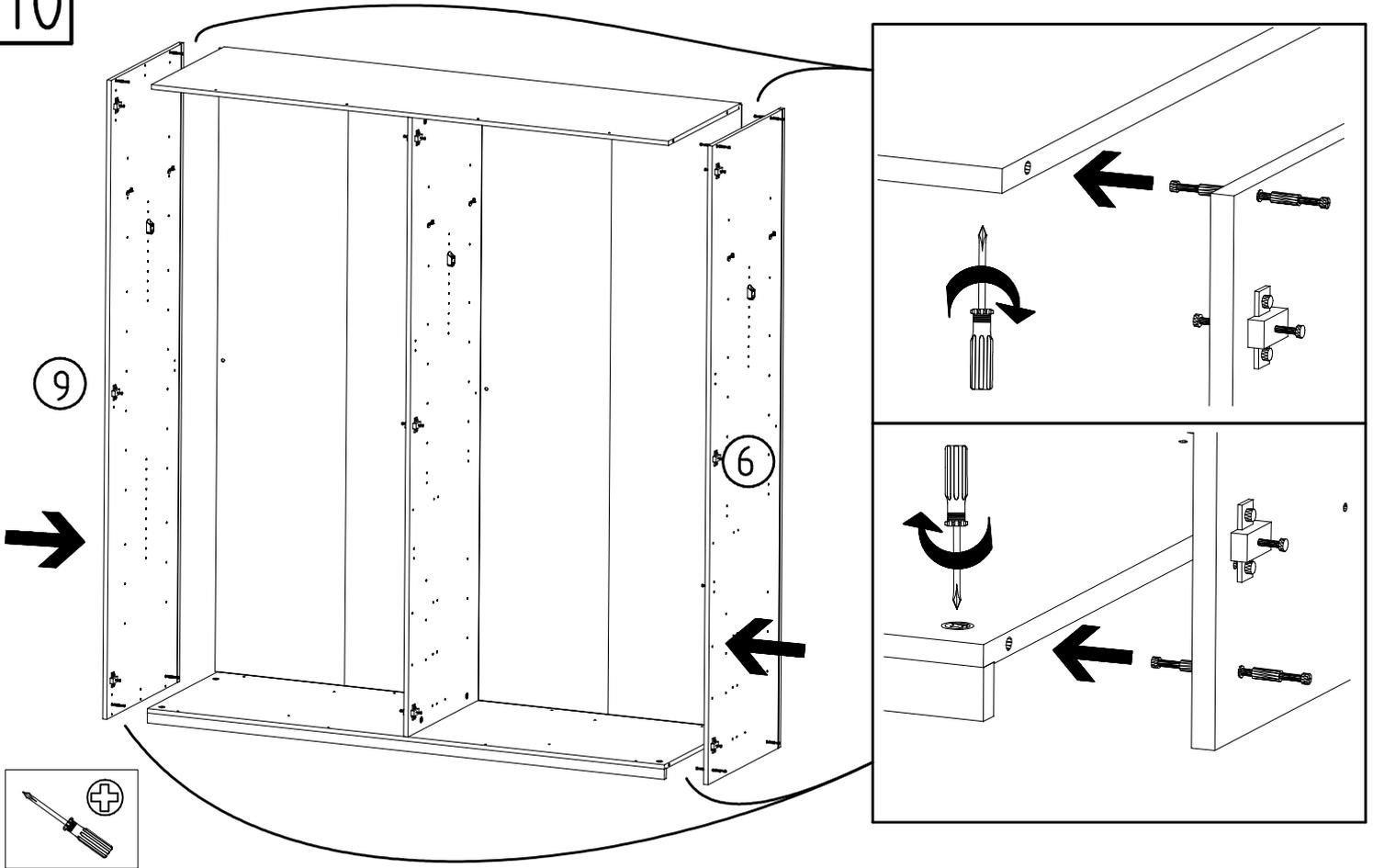
8



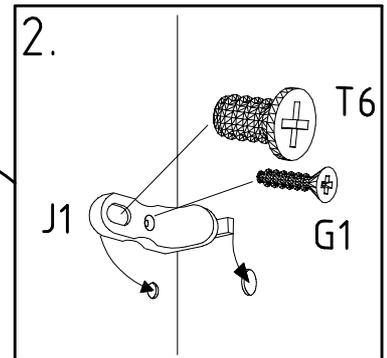
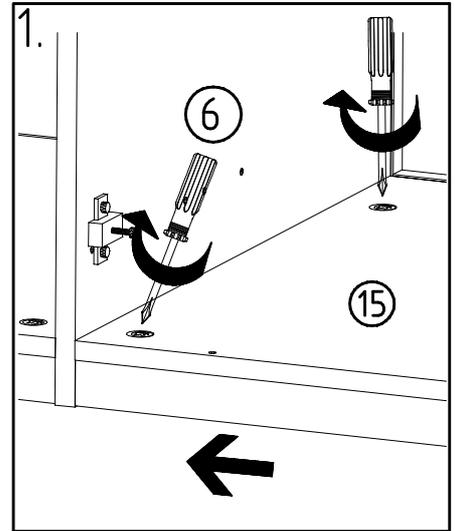
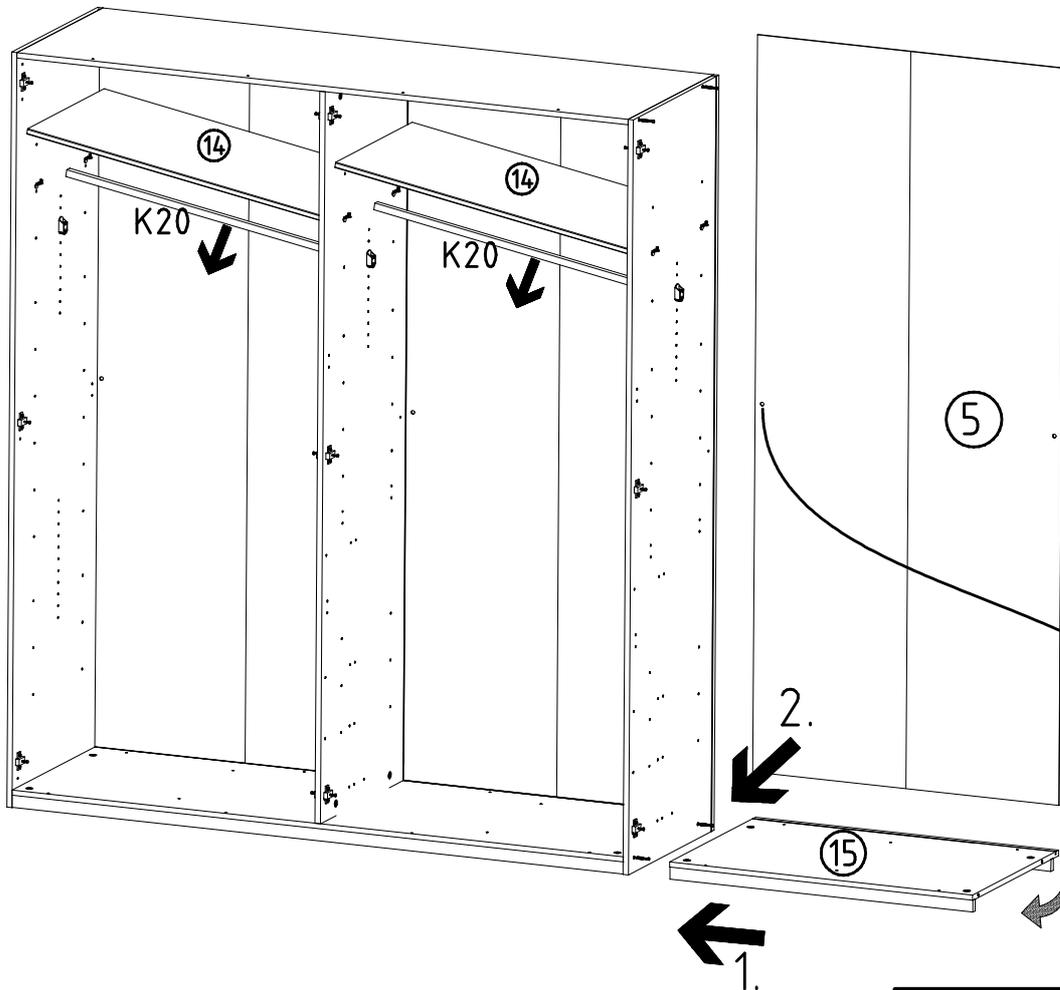
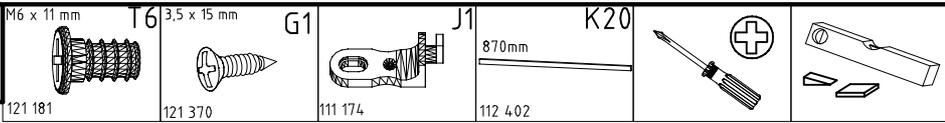
9



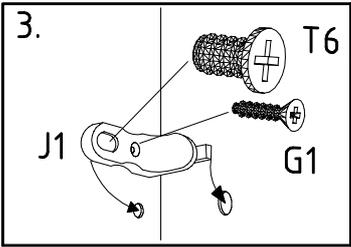
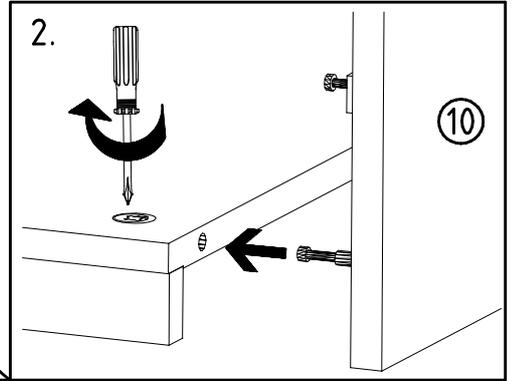
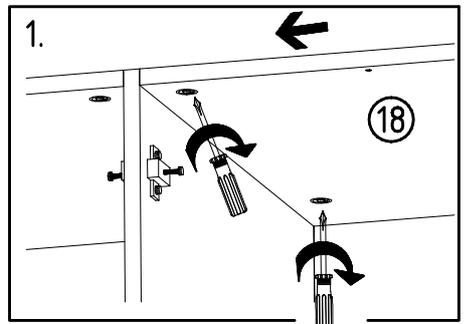
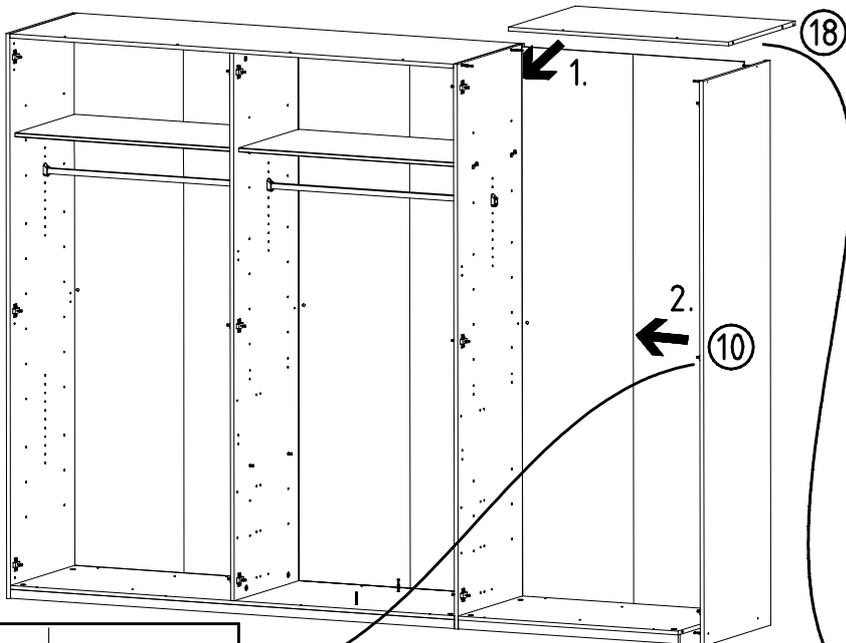
10



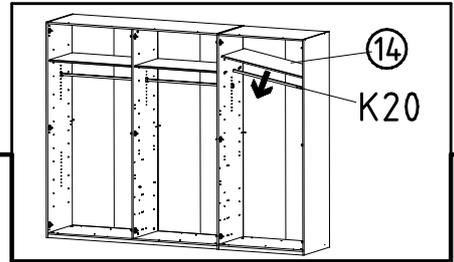
11



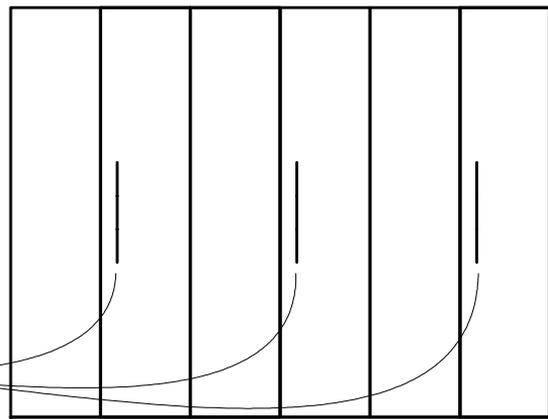
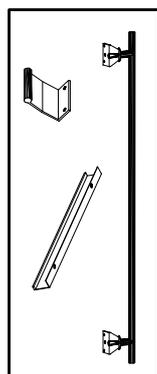
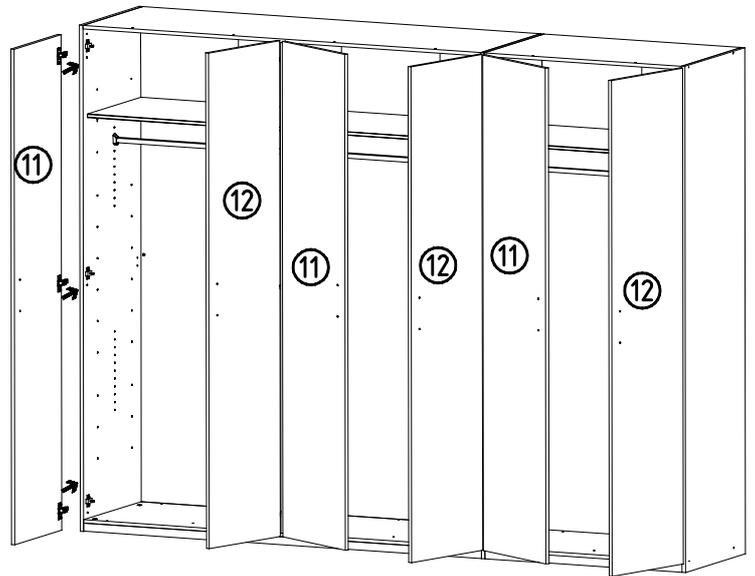
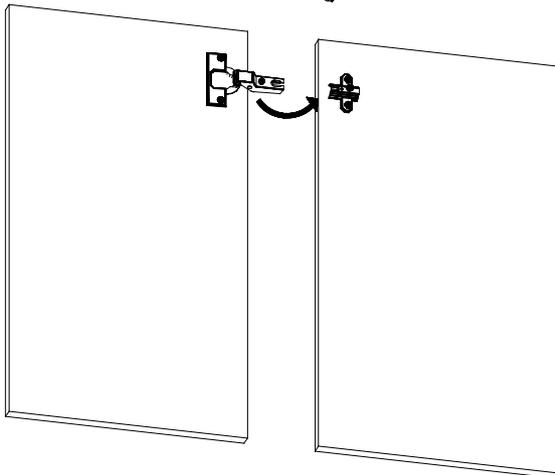
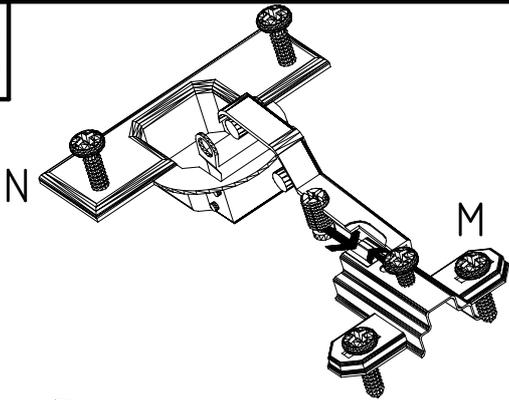
12

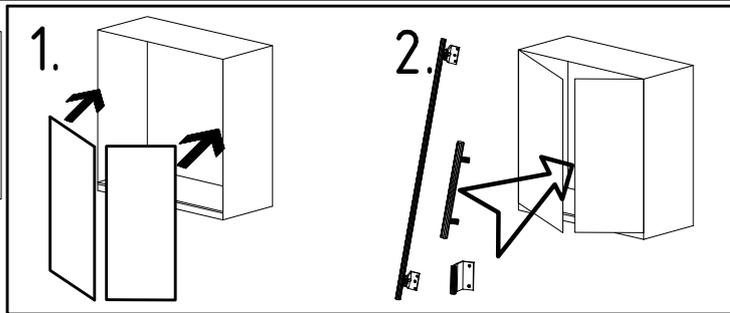


K20 3,5 x 15 mm	G1	J1 M6 x 11 mm	T6	
870mm				
112 402	121 370	111 174	121 181	

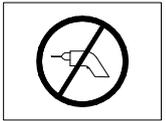
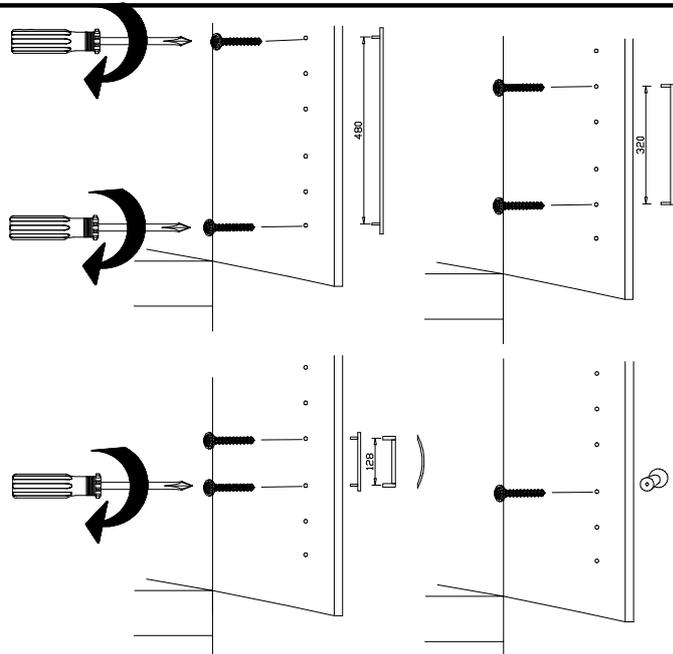
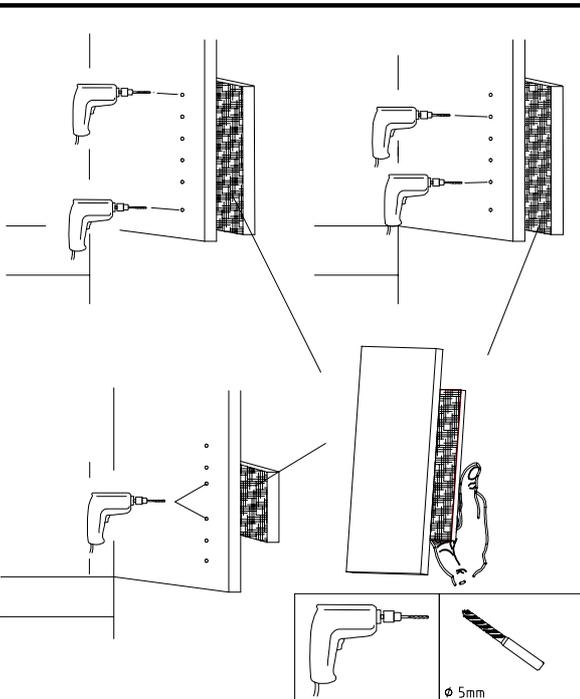
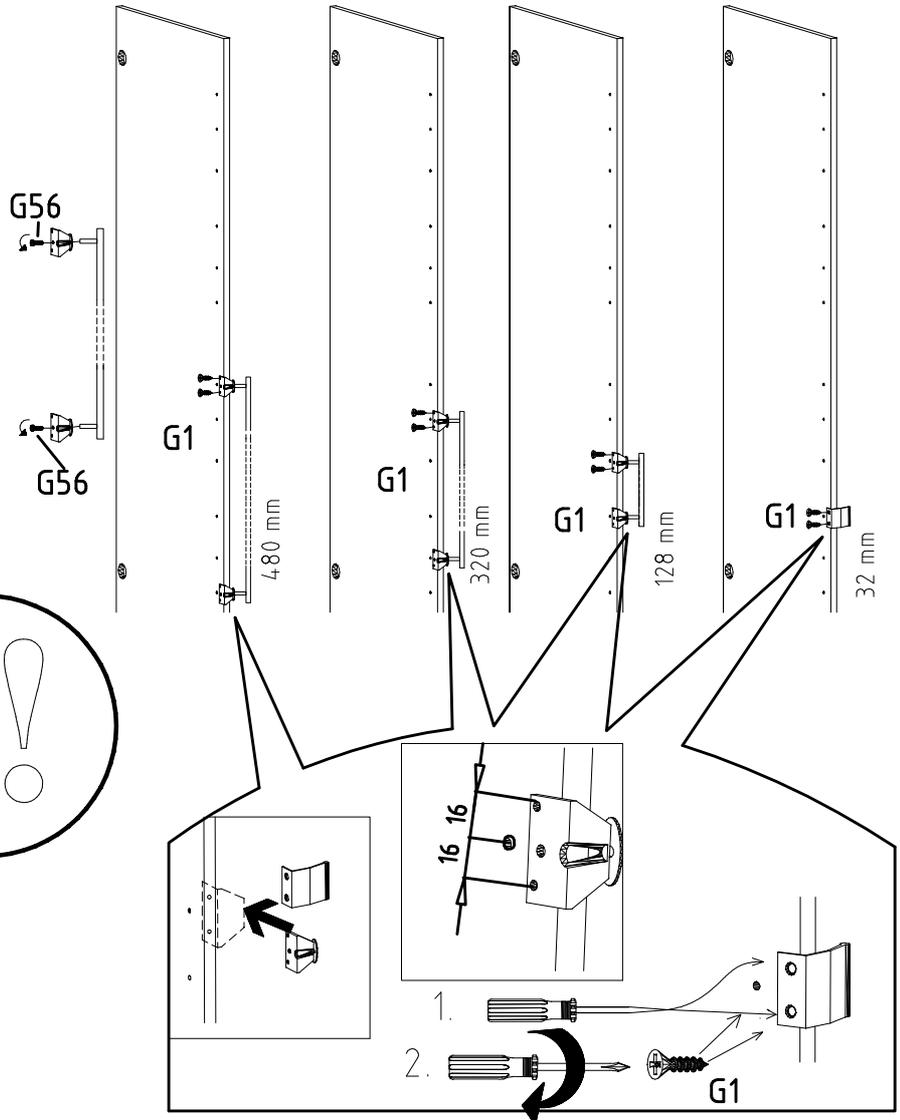
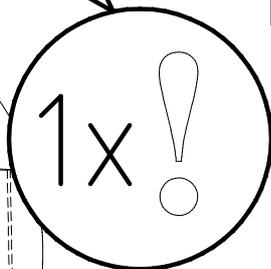
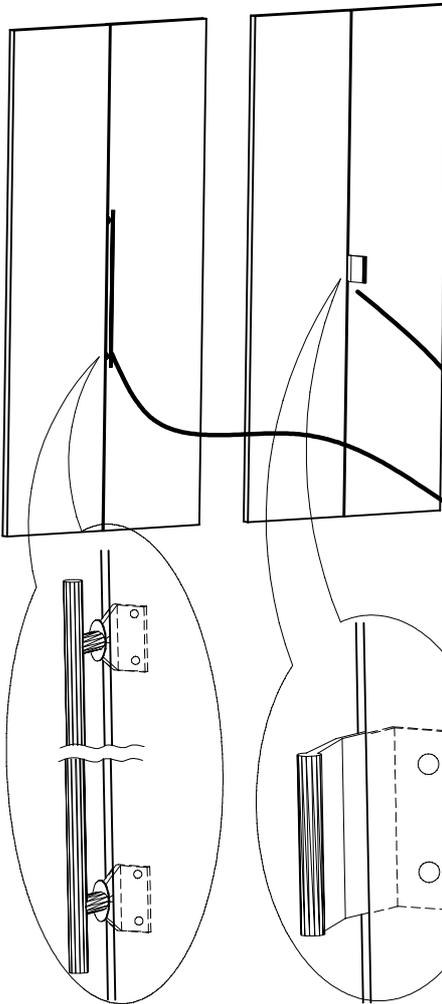


13





3,5 x 15 mm 121 370	G1	4,0 x 12 mm 122 625	G56
------------------------	----	------------------------	-----



	SP27
4 X 27mm	
122620	
4,0x22	G49
122 609	

