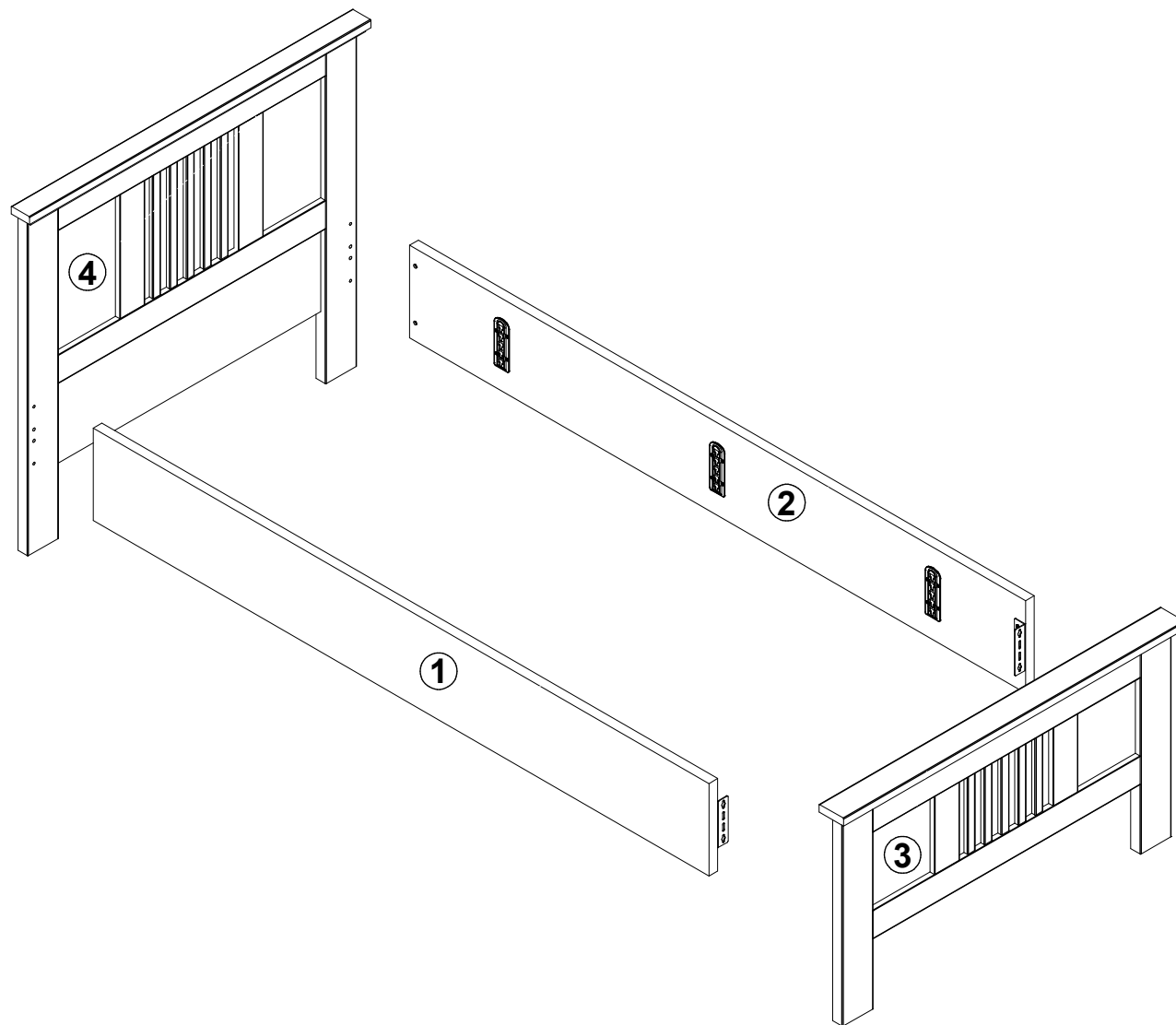











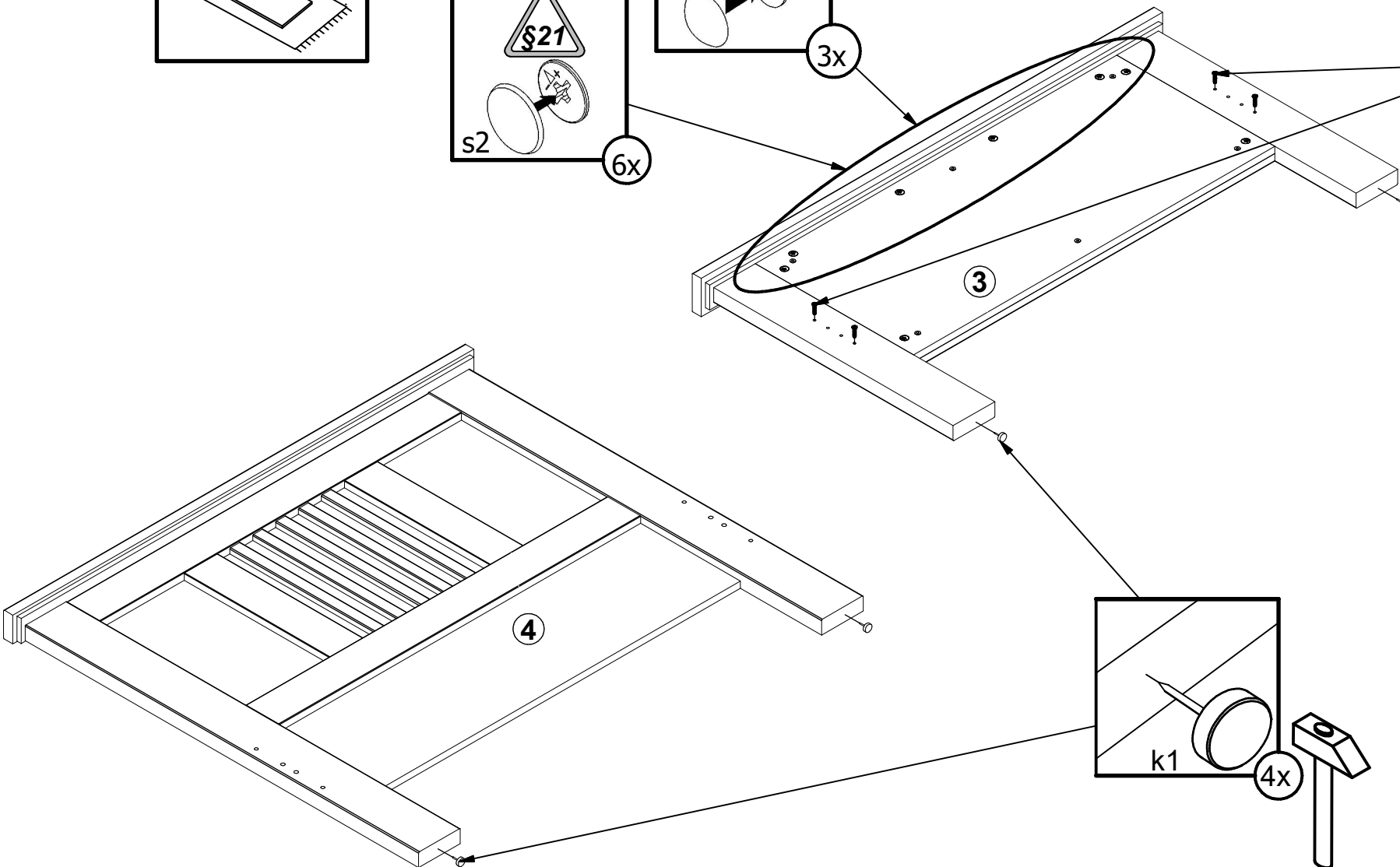
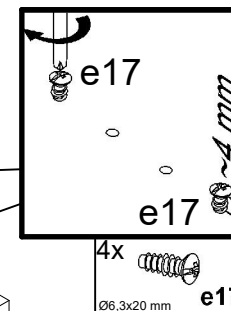
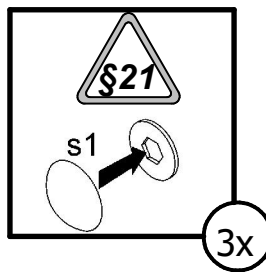
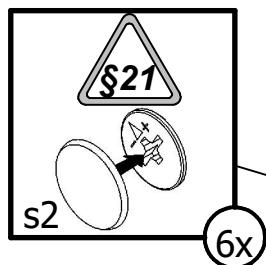
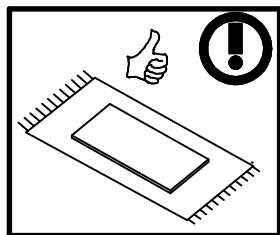
A	B	C1	C2	C3	D
1	L109-Z006	2000	260	62	1/2
2	L109-Z007	2000	260	62	1/2
3	L109-Z010	607	1108	80	2/2
4	L109-Z011	977	1108	60	2/2

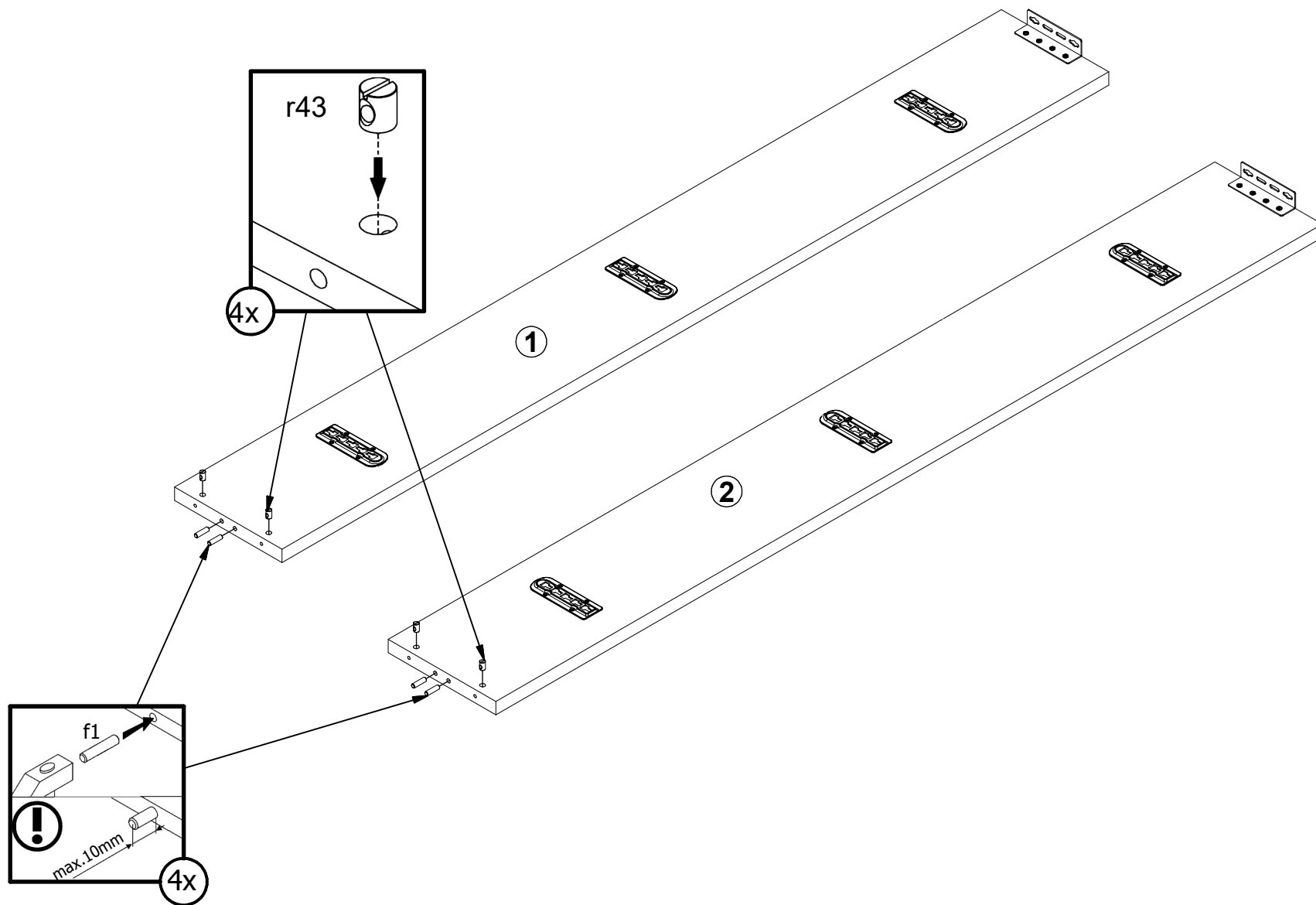


- 8x  e17
Ø6.3x20 mm
- 4x  f1
Ø8x30 mm
- 4x  j132
M6x65 mm
- 4x  k1
- 6x  n60\2
- 4x  r43
Ø10x16 mm
- 3x  s1
- 6x  s2
Ø16
- 1x  z1

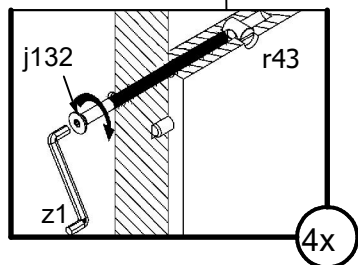
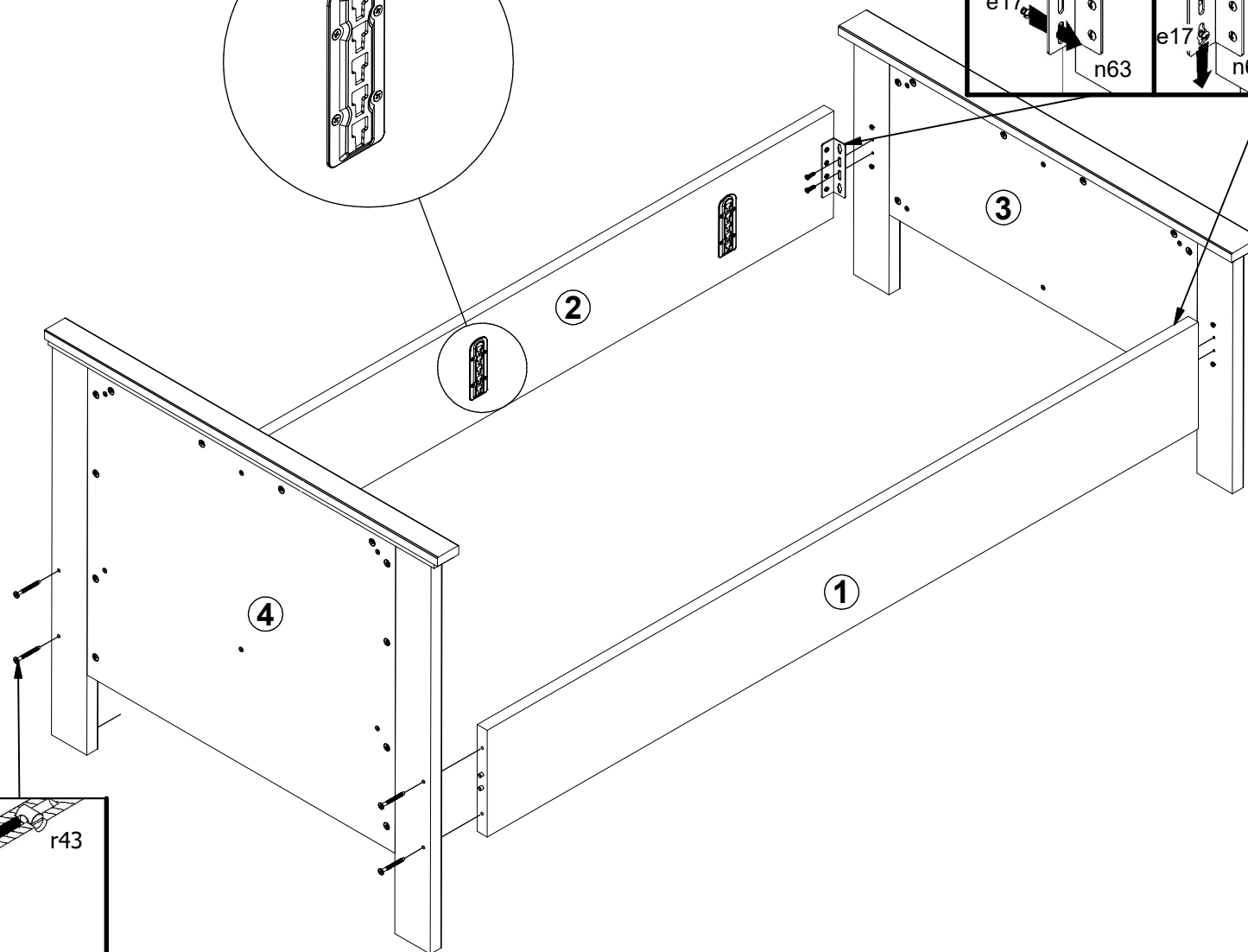
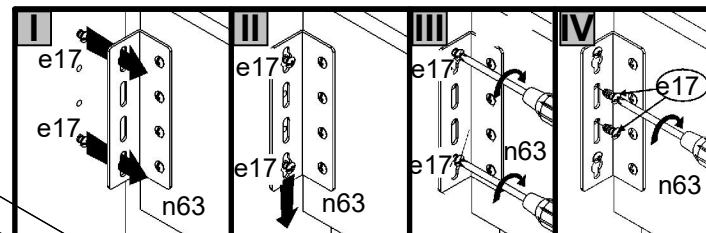
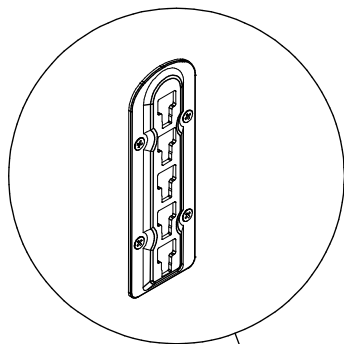


1





2



3

