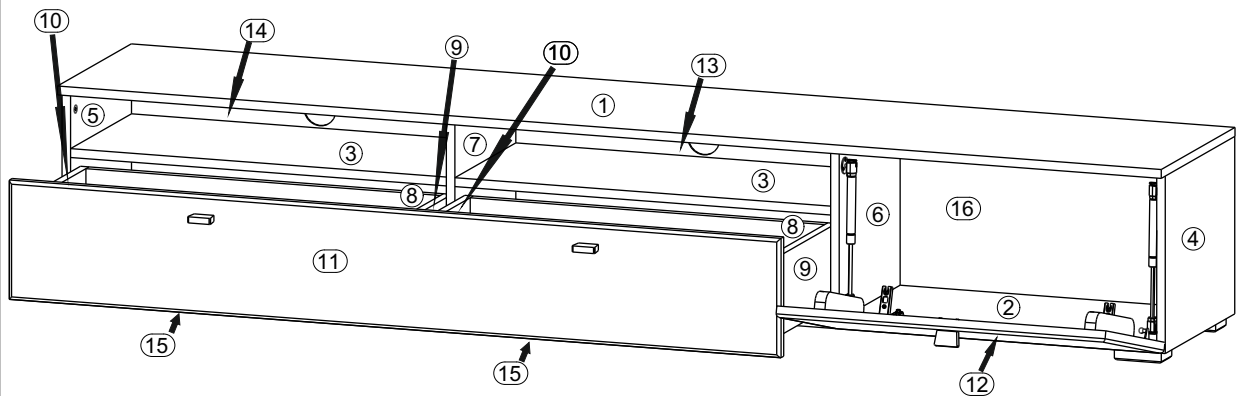
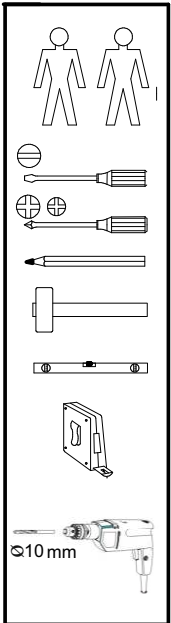
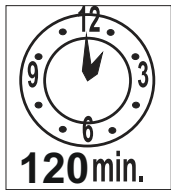
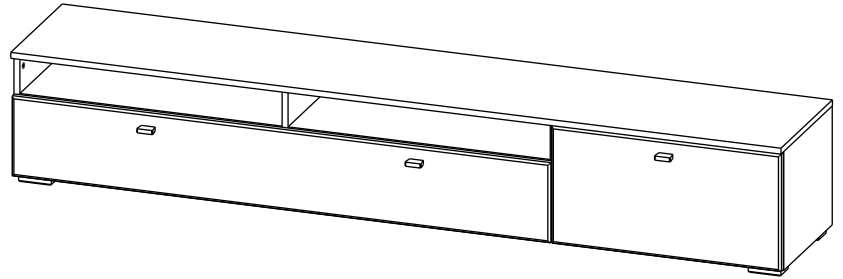


A TREND

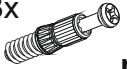
89-275-W8-31


| A | B | C1 | C2 | C3 | D |
|----|--------|------|-----|----|-----|
| 1 | 31.001 | 2070 | 380 | 16 | 1/3 |
| 2 | 31.002 | 2037 | 358 | 16 | 1/3 |
| 3 | 31.003 | 705 | 294 | 16 | 1/3 |
| 4 | 31.004 | 320 | 358 | 16 | 1/3 |
| 5 | 31.005 | 320 | 358 | 16 | 1/3 |
| 6 | 31.006 | 304 | 294 | 16 | 1/3 |
| 7 | 31.007 | 304 | 294 | 16 | 1/3 |
| 8 | 31.008 | 665 | 130 | 16 | 1/3 |
| 9 | 31.009 | 250 | 144 | 16 | 1/3 |
| 10 | 31.010 | 250 | 144 | 16 | 1/3 |
| 11 | 31.011 | 1447 | 215 | 19 | 1/3 |
| 12 | 31.012 | 617 | 315 | 55 | 1/3 |
| 13 | 31.013 | 719 | 314 | 3 | 1/3 |
| 14 | 31.014 | 717 | 314 | 3 | 1/3 |
| 15 | 31.015 | 675 | 305 | 3 | 1/3 |
| 16 | 31.016 | 607 | 314 | 3 | 1/3 |




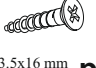
| | | | | | | |
|------------------------------------|----------------------|---------------------------|---------------------|---------------------------|------------------------|----------------------|
| 2x a2 | 2x b2 | 12x e1 φ7x50 mm | 8x s59 Ø 15mm | 22x f1 Ø8x30 mm | 2x r43 | 2x f2 Ø8x60 mm |
| 2x m27 m27/1 m27/2 m27/3 | 22x p55 φ3x20 mm | 24x l2 | 6x k16 | 2x n14 86x21x15/1,5mm | 2x p17 φ5x60 mm | 28x p19 φ4x16 mm |
| 16x n109 | 2x f35 φ10x50 mm | 6x j8 M4x25 mm | 28x r1 φ15x12mm | 24x r42 20/11 | 28x s2 Ø 16 | 4x o21 φ8x1,8mm |
| 3x c19 | 1x z1 | 6x n108 20x13x3,5/1mm | 2x w165L 250mm | 2x w165P 250mm | 18x p18 φ3,5x16 mm | 4x p20 φ3x16 mm |


1  **§2**


8x  **r42**
20/11

6x  **r1**
φ15x12mm

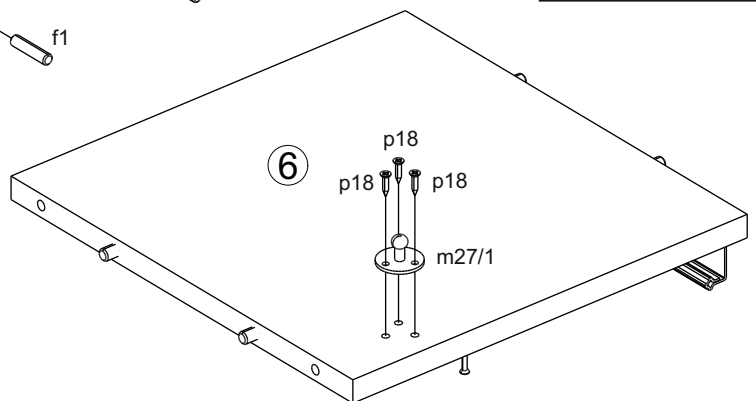
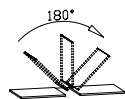
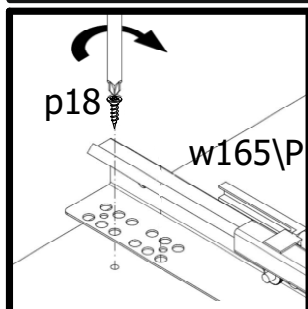
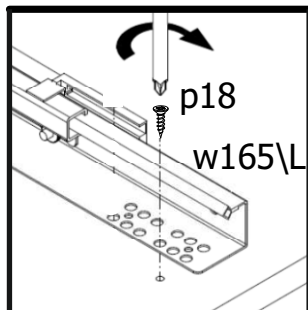
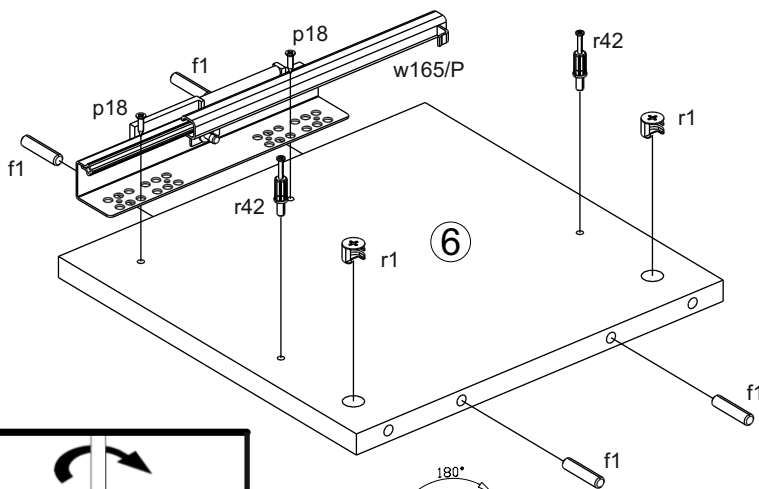
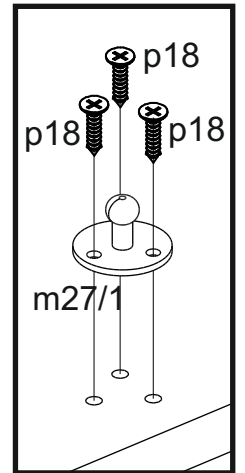
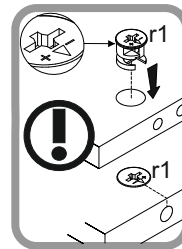
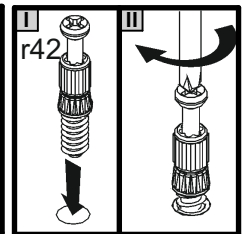
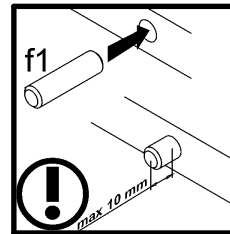
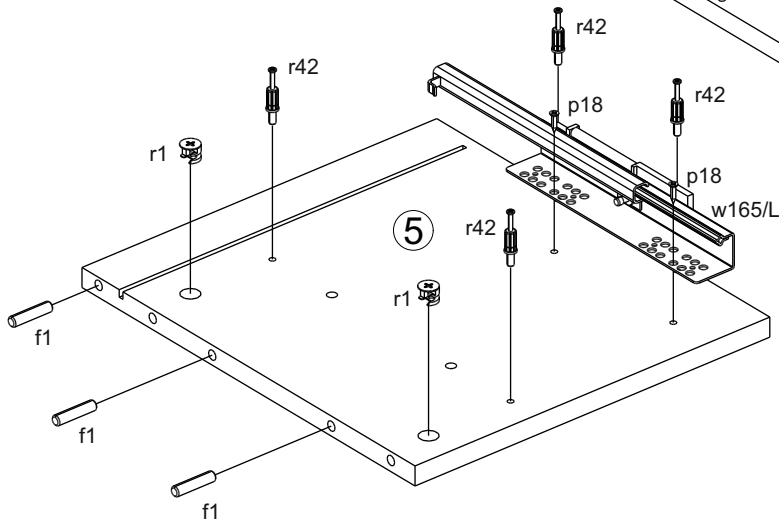
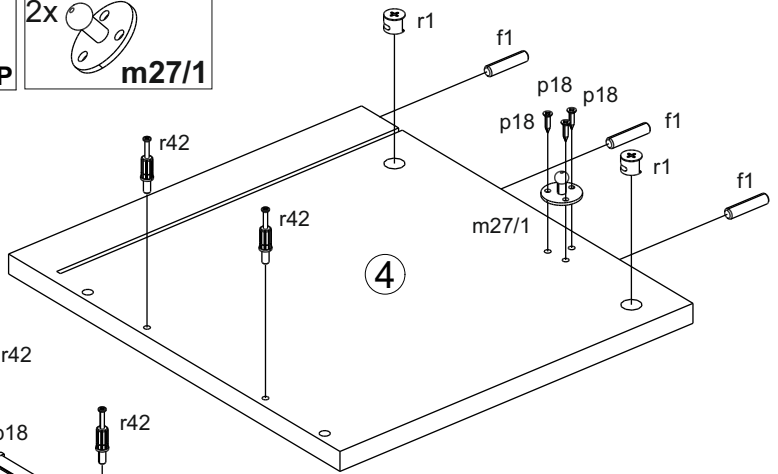
10x  **f1**
Ø8x30 mm

10x  **p18**
φ3.5x16 mm

1x  **w165L**
250mm

1x  **w165P**
250mm

2x  **m27/1**



2

4x $\phi 3.5 \times 16$ mm **p18**

10x $\phi 15 \times 12$ mm **r1**

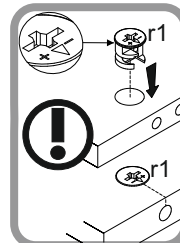
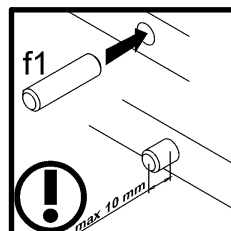
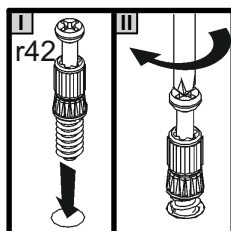
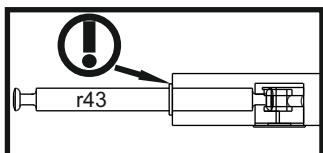
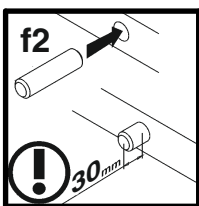
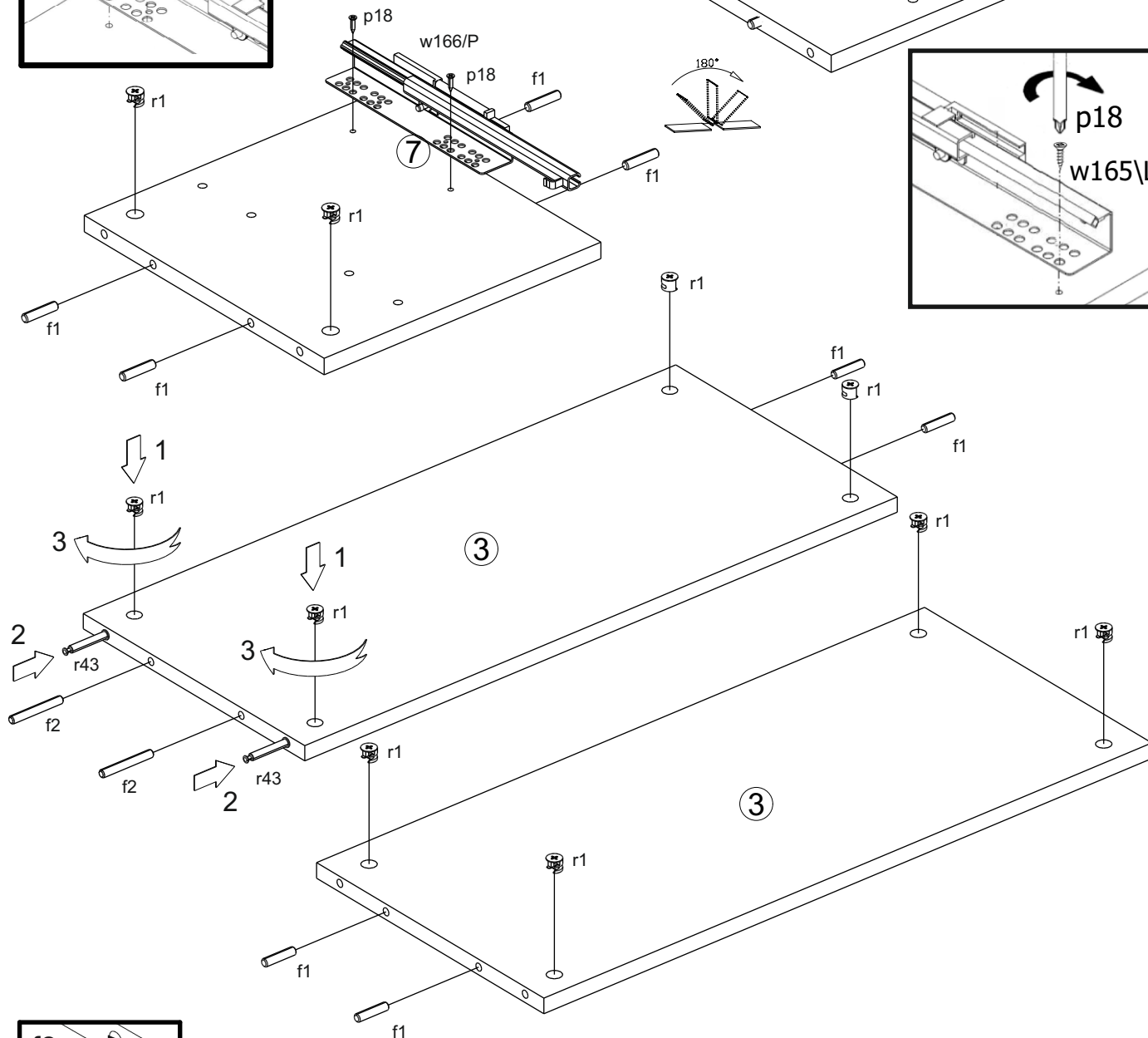
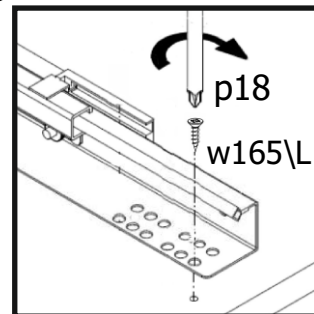
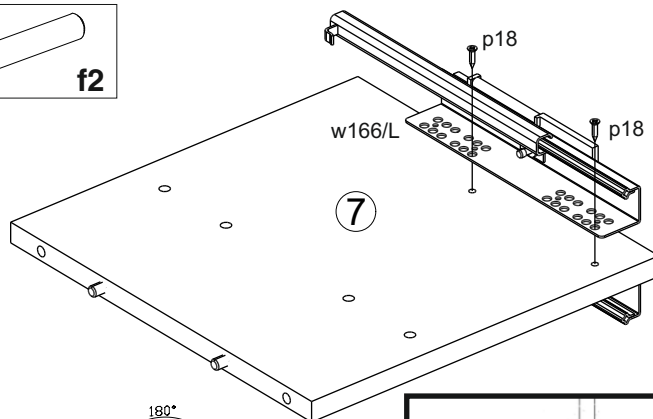
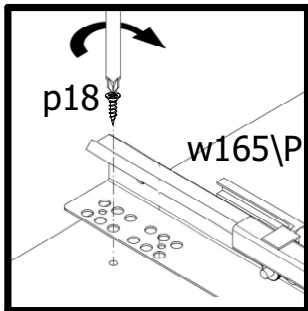
2x **r43**

8x $\phi 8 \times 30$ mm **f1**

1x 250mm **w165L**

1x 250mm **w165P**

2x $\phi 8 \times 60$ mm **f2**



3



4x



φ15x12mm

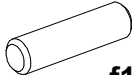
r1

2x



b1

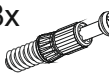
4x



Ø8x30 mm

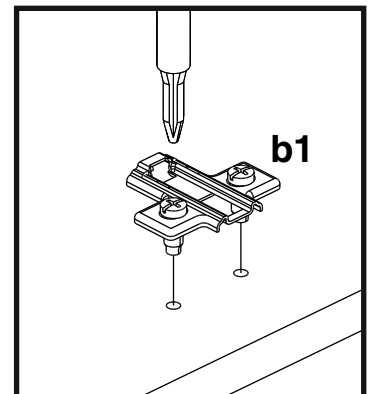
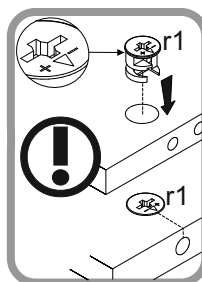
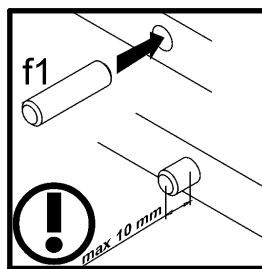
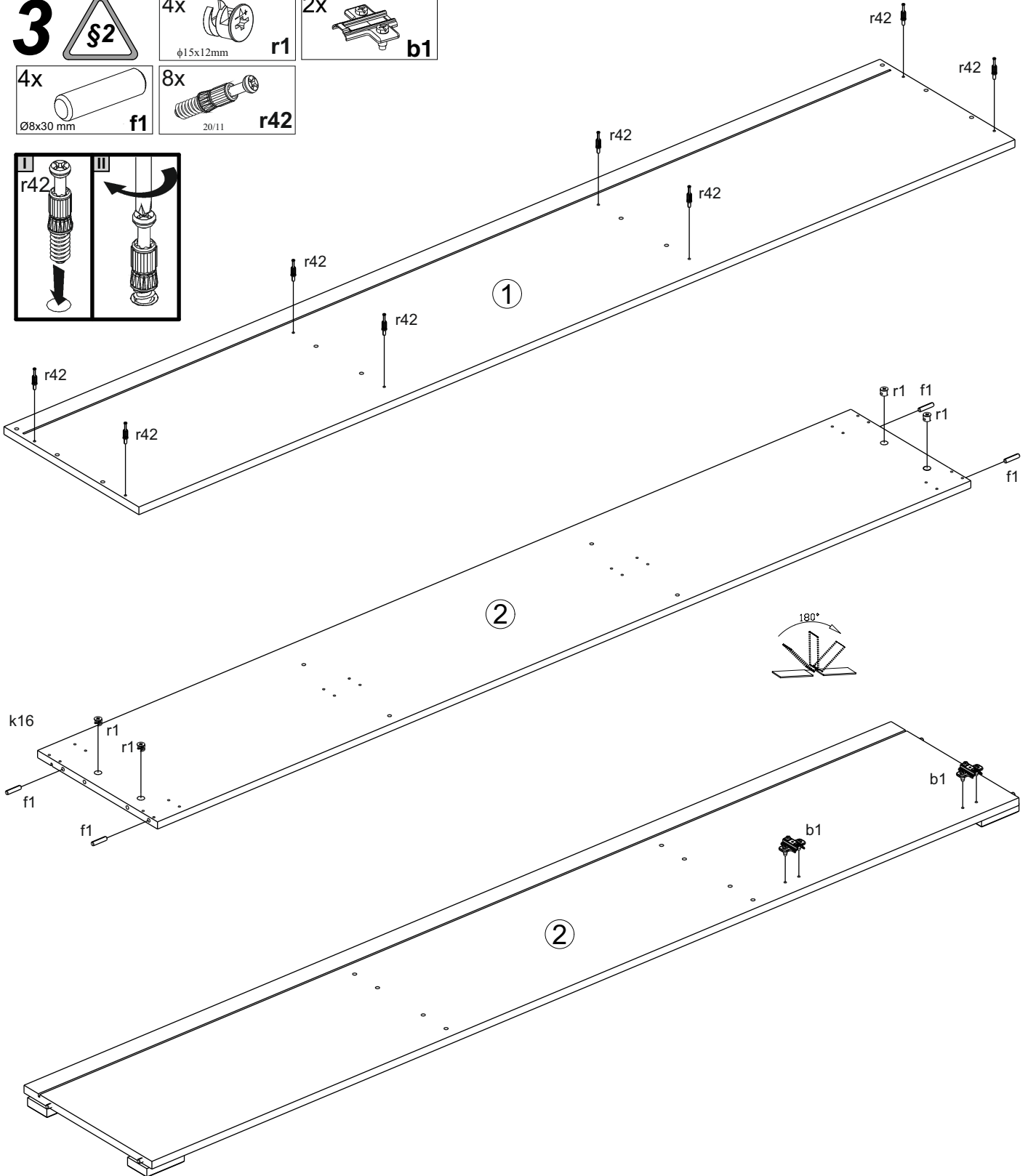
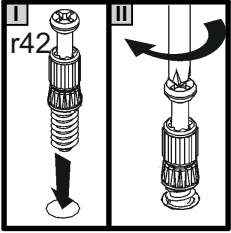
f1

8x

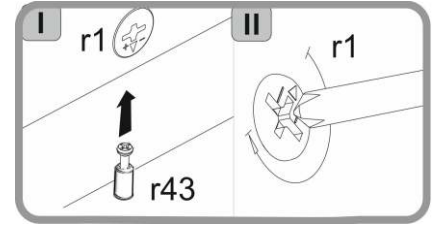
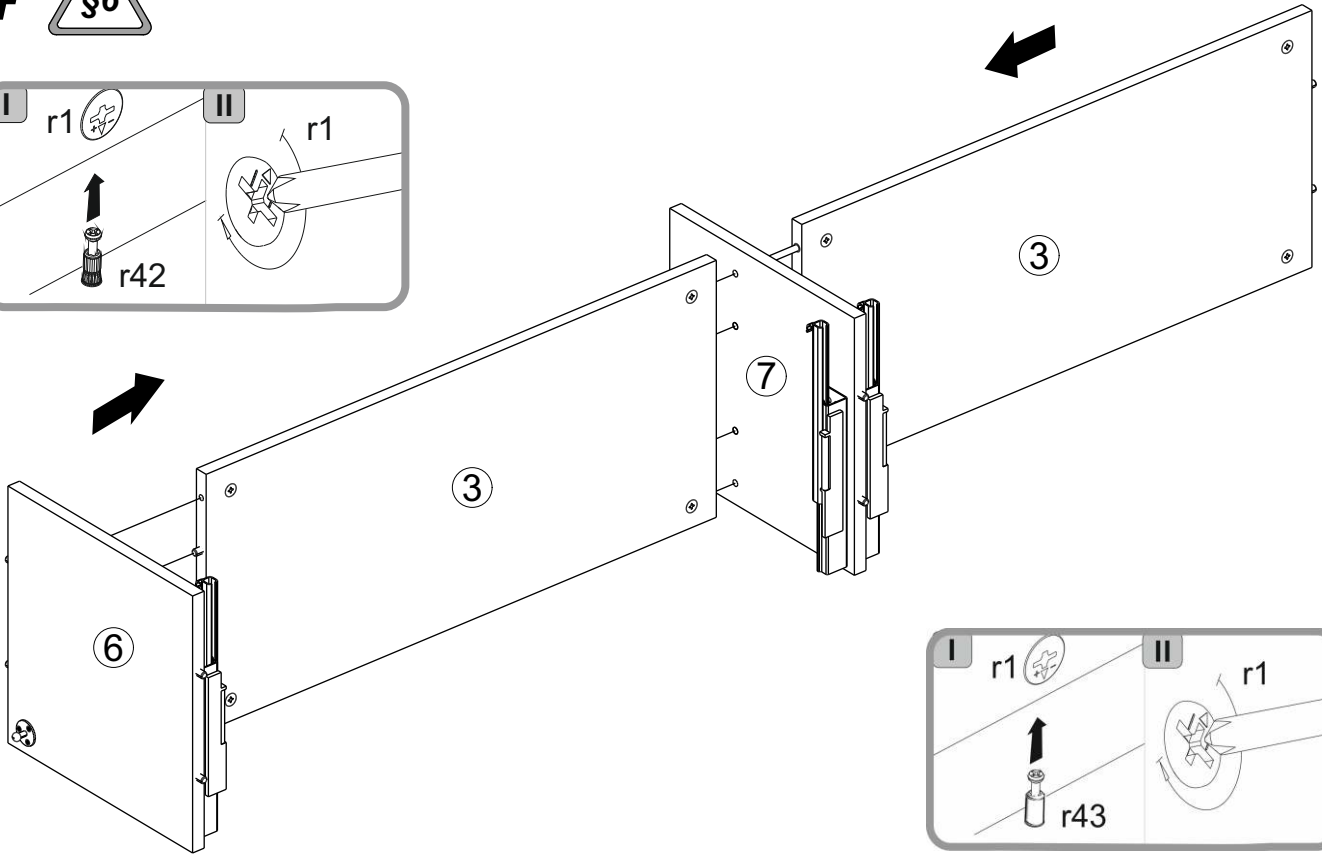
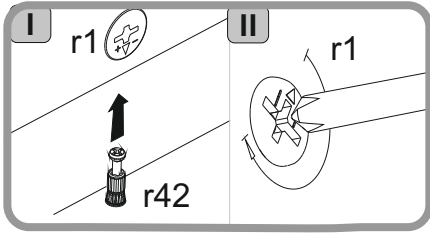


20/11

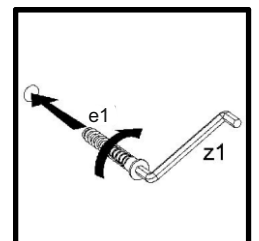
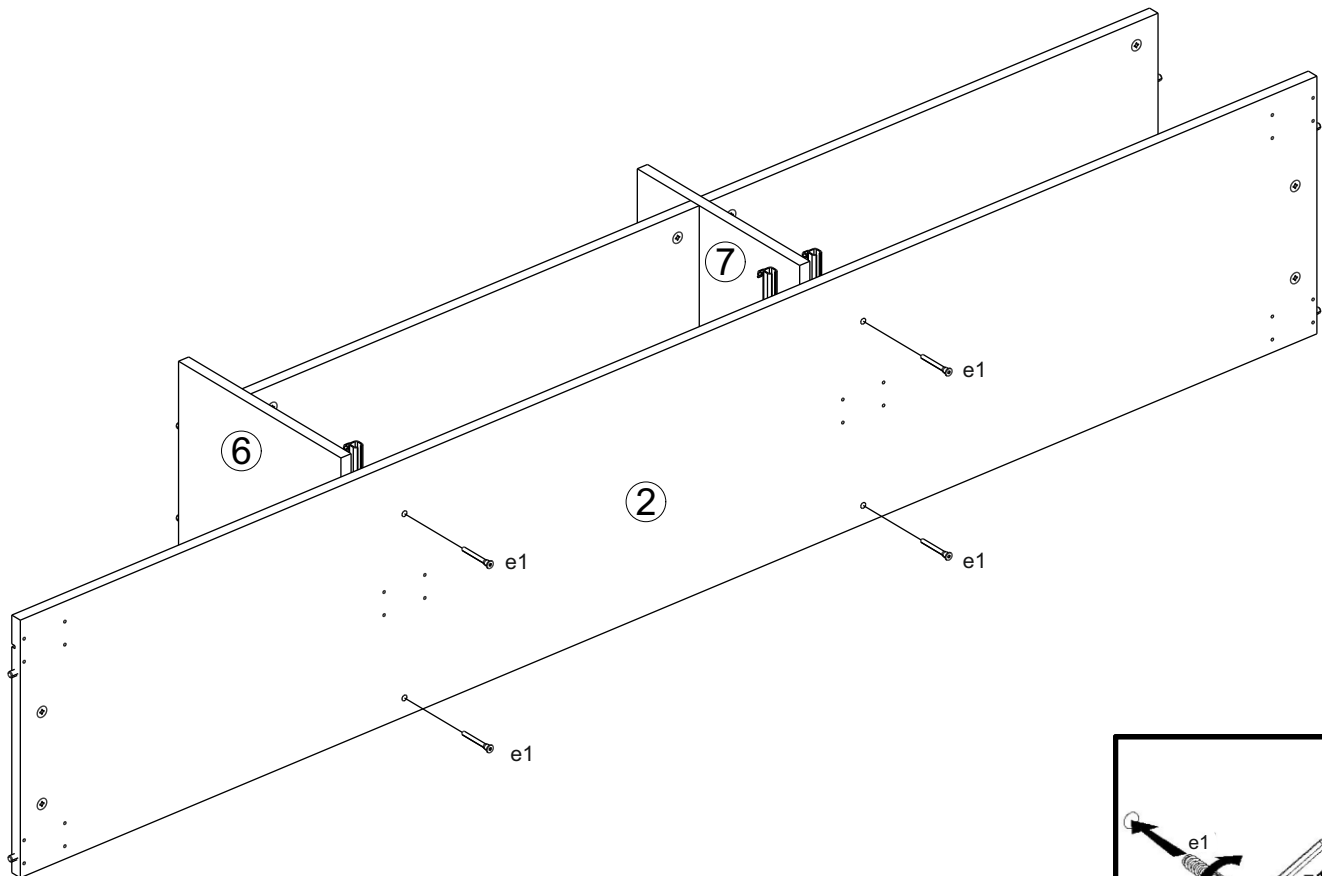
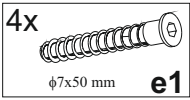
r42



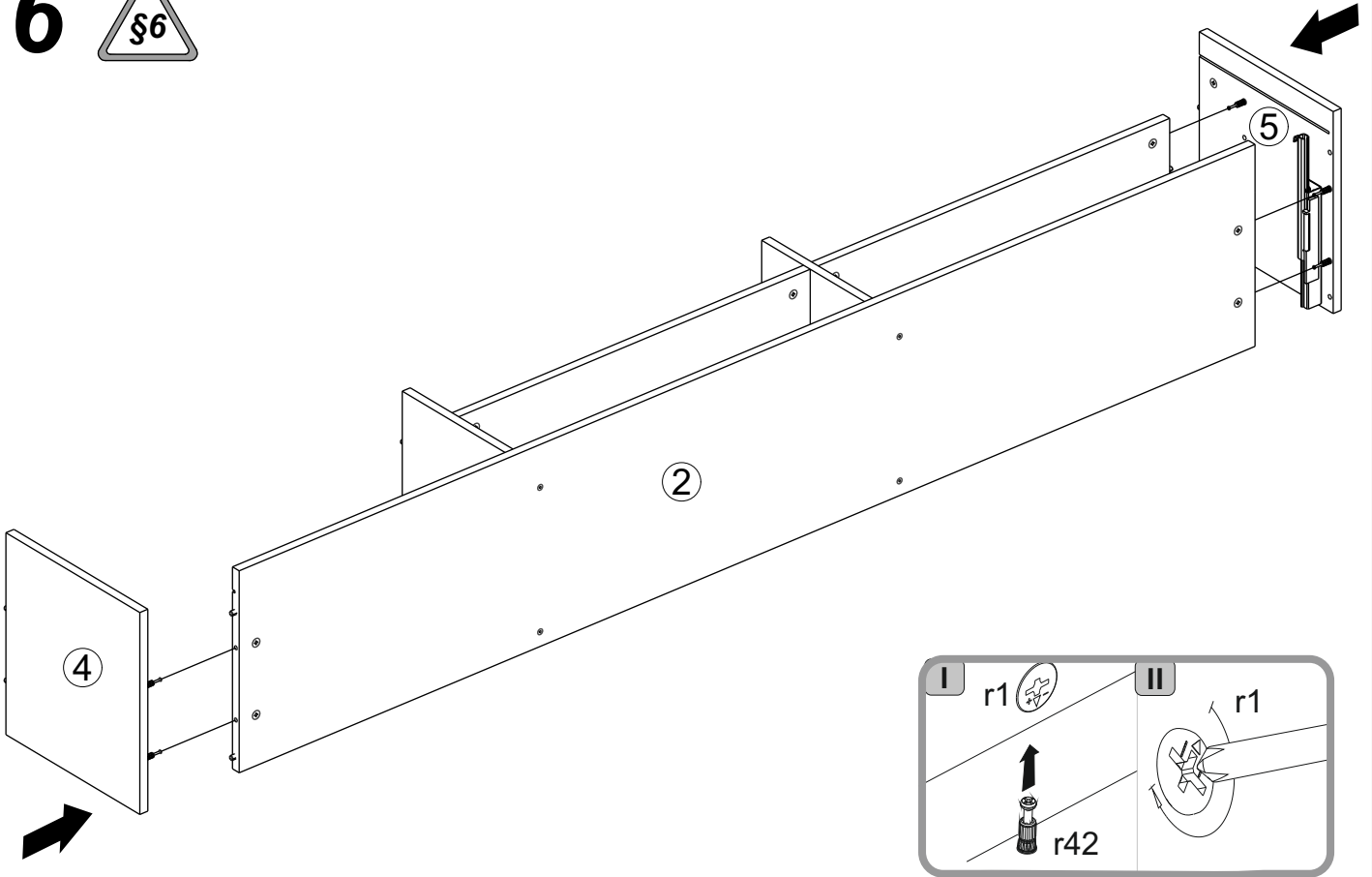
4



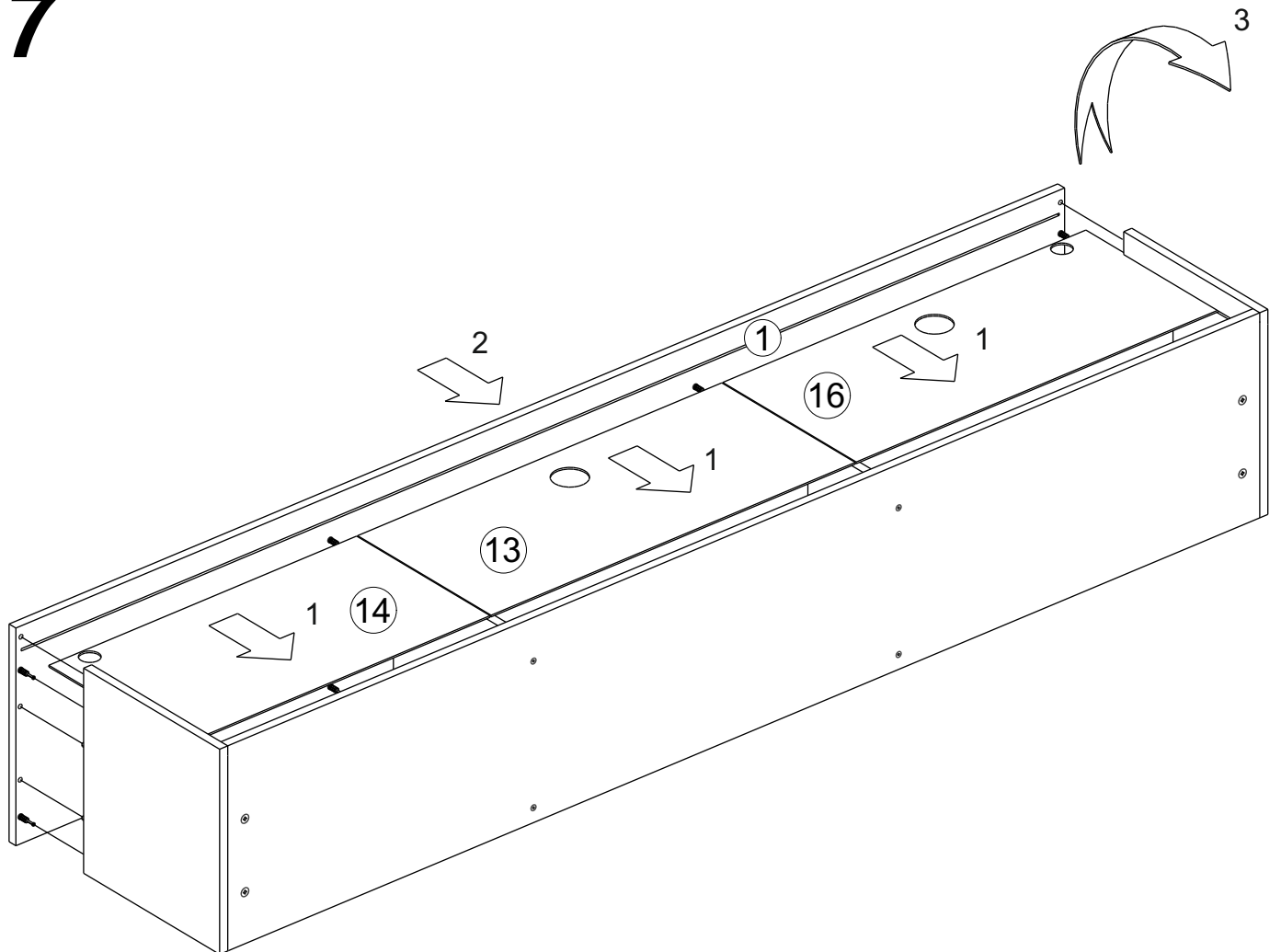
5



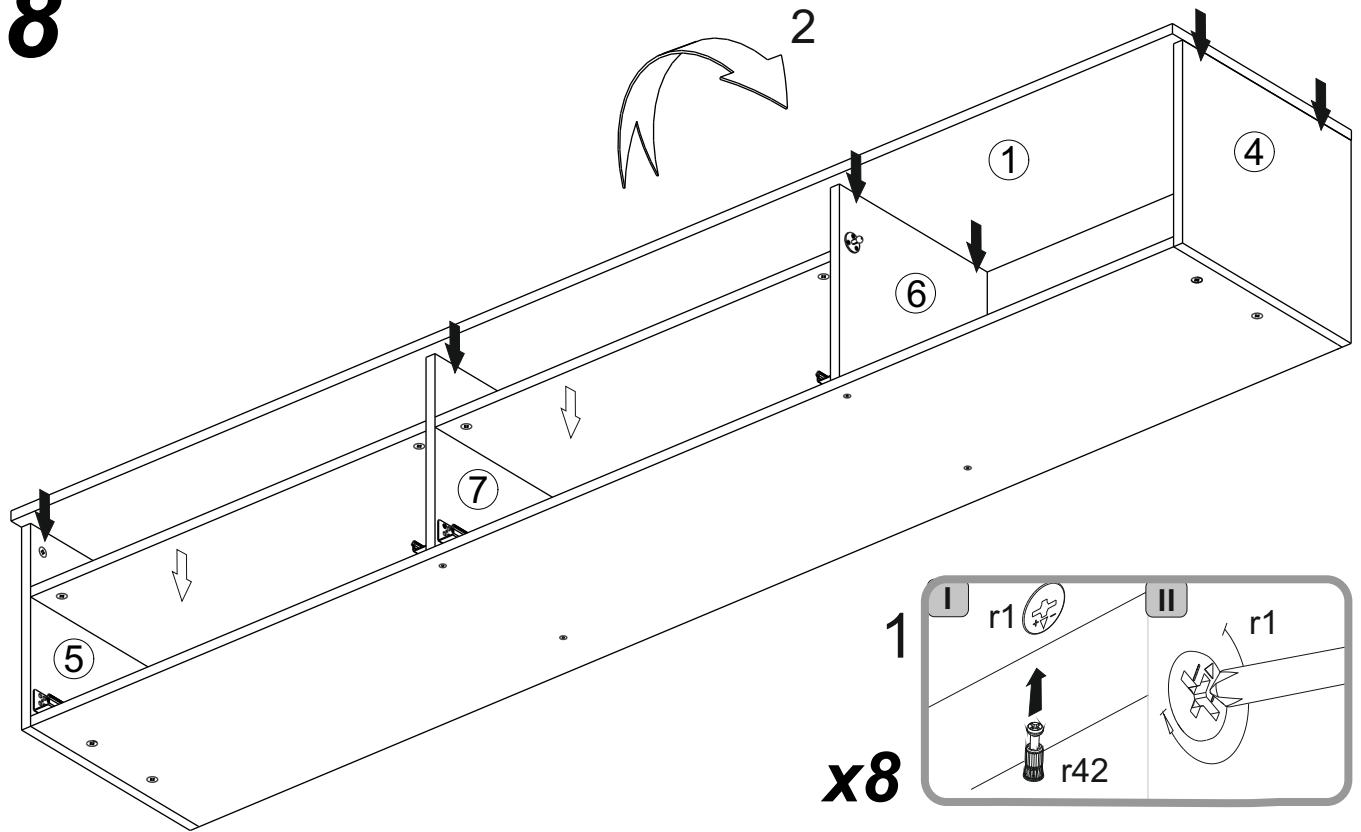
6



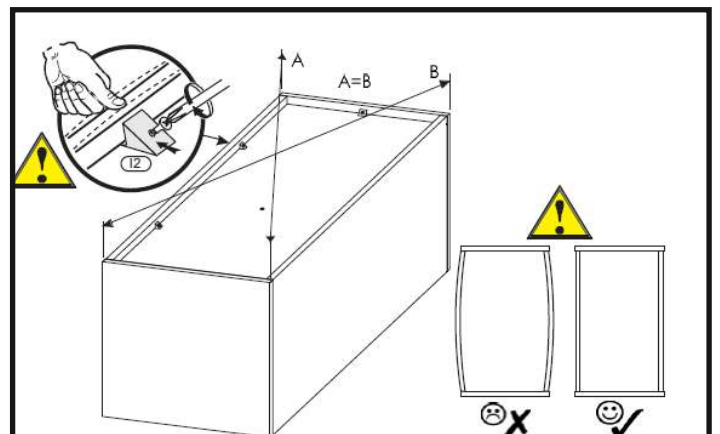
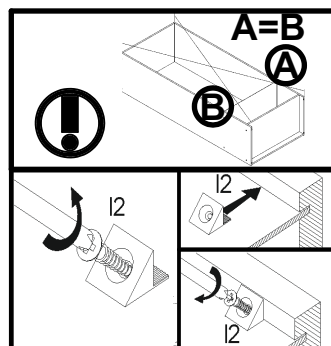
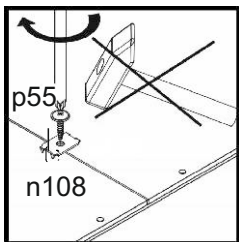
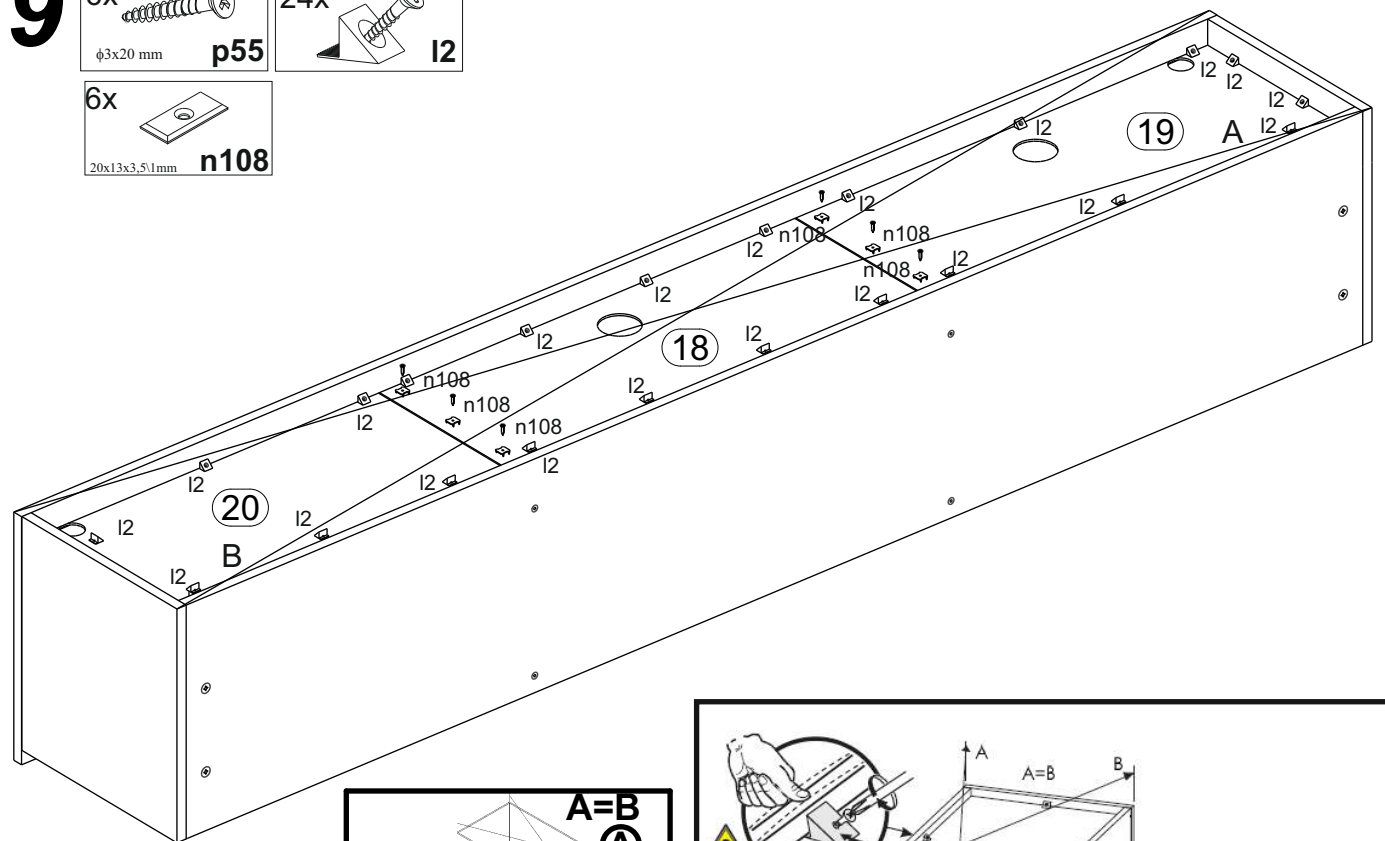
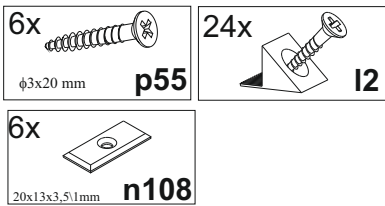
7



8

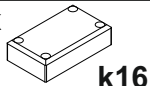


9



10

6x

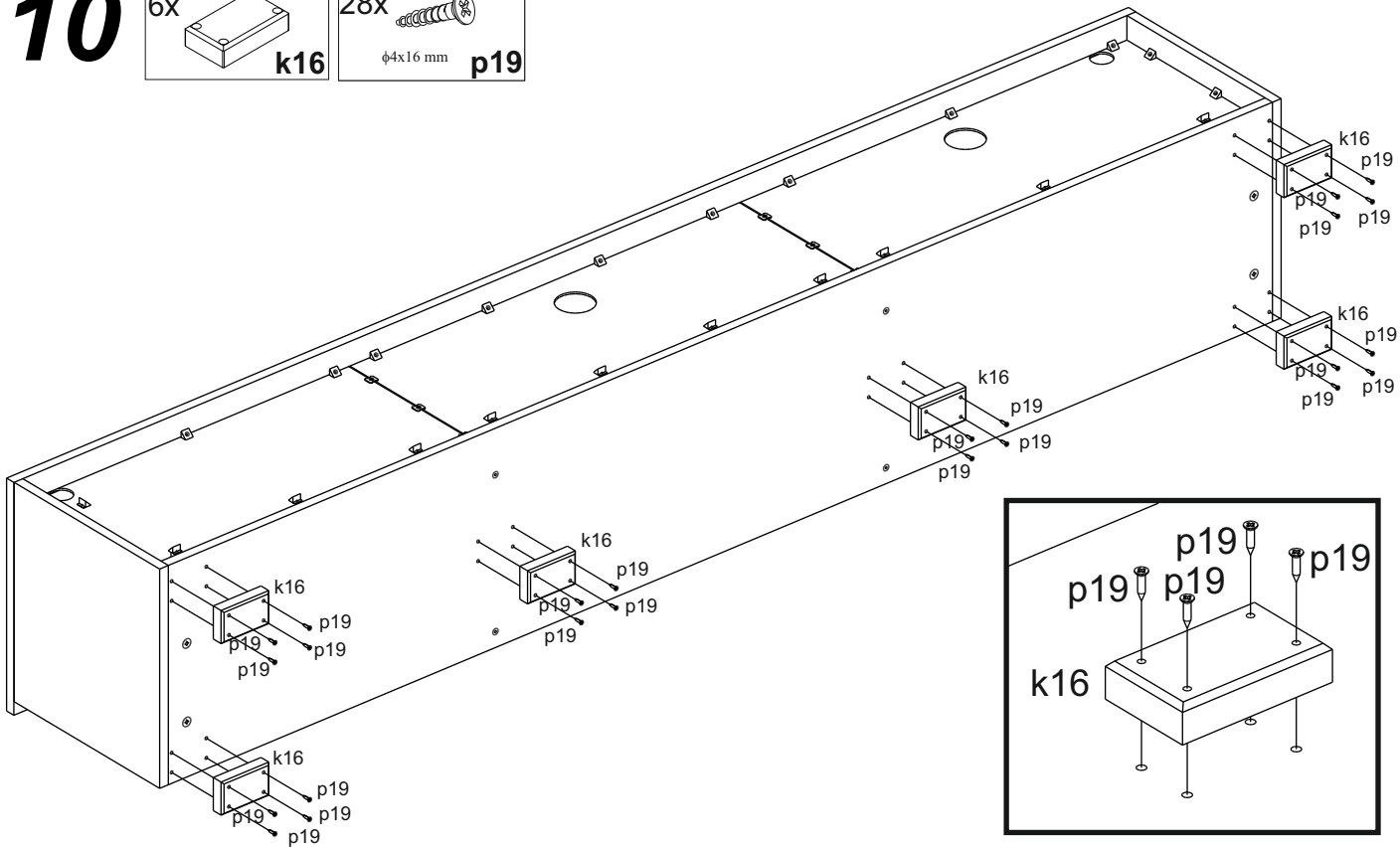


k16

28x



φ4x16 mm p19



11

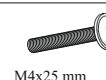


2x



c19

4x



M4x25 mm j8

8x



20/11 r42

2x

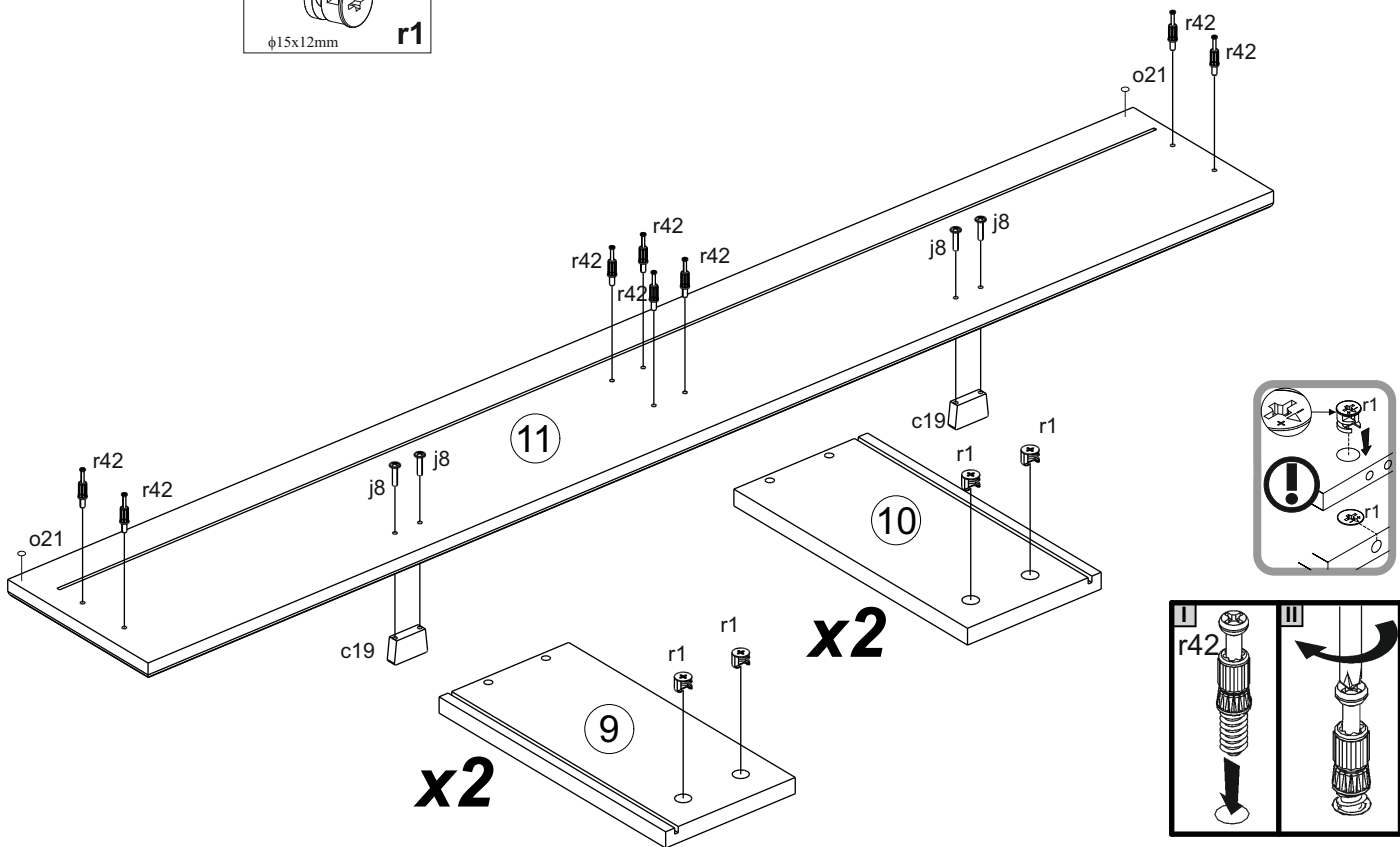


φ8x1,8mm o21

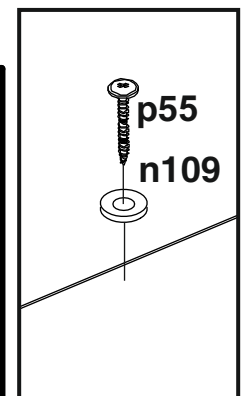
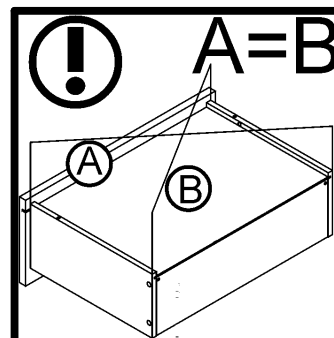
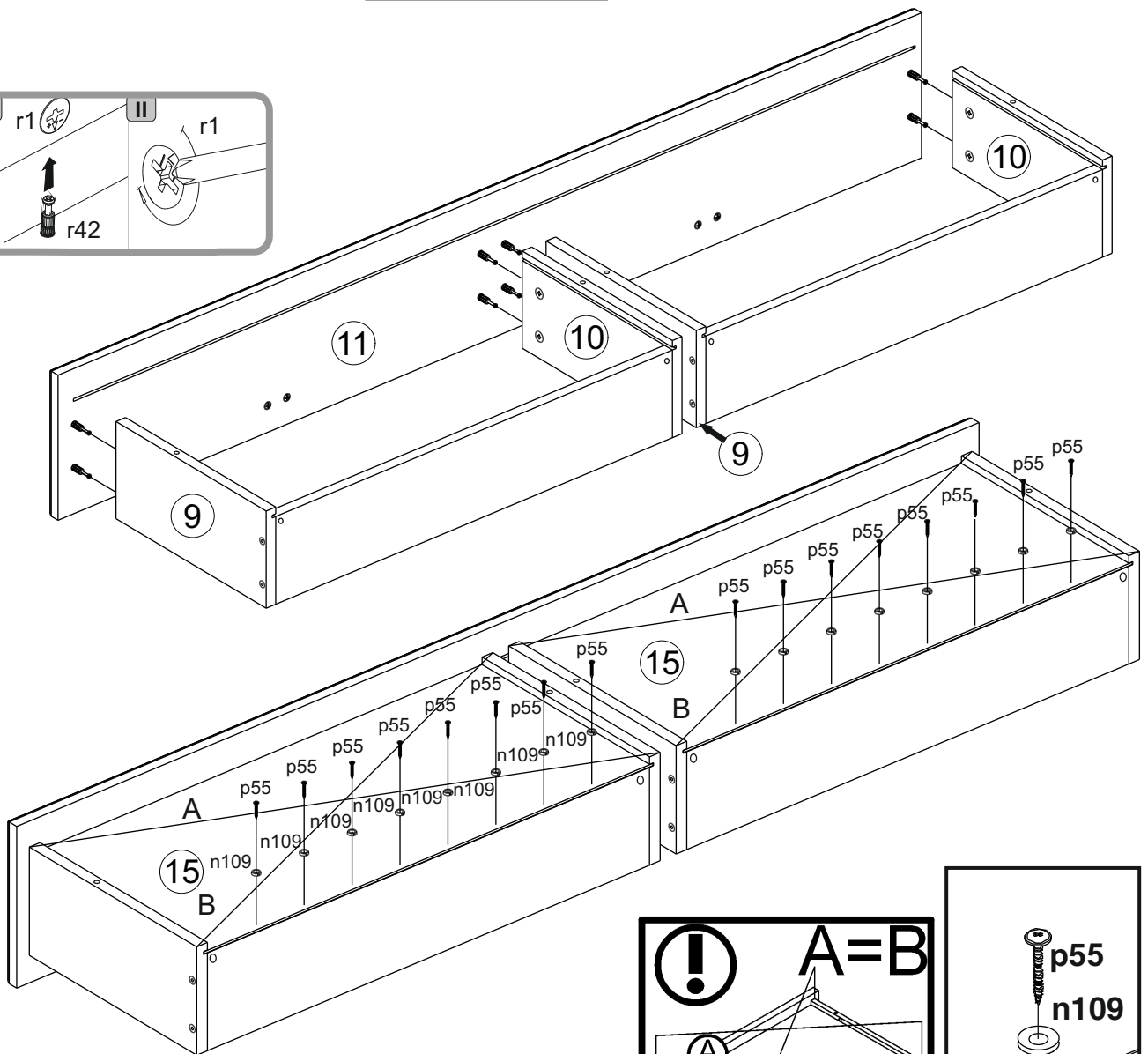
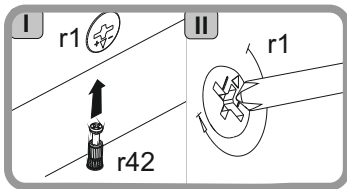
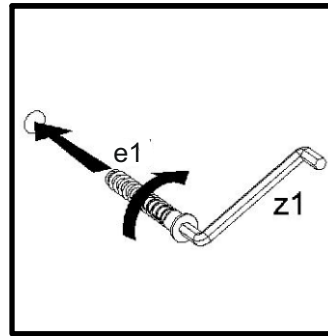
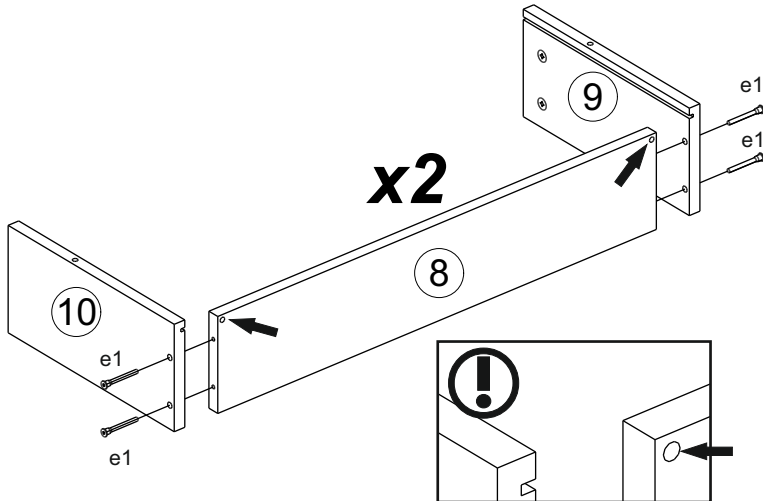
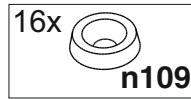
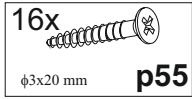
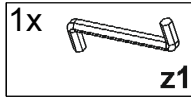
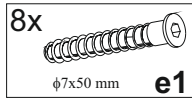
8x



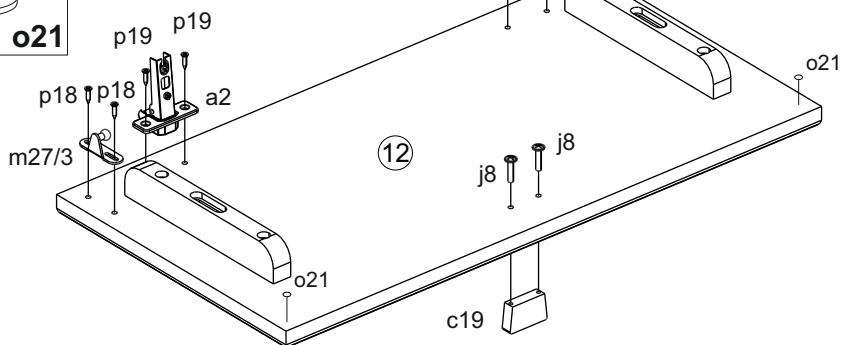
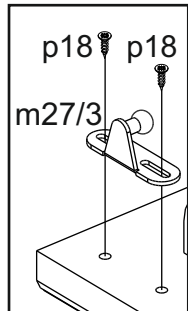
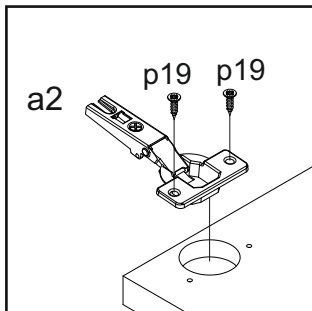
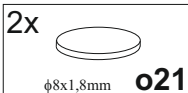
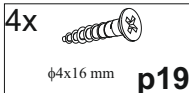
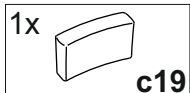
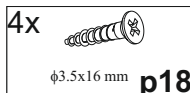
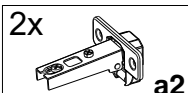
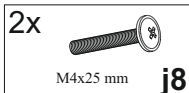
φ15x12mm r1



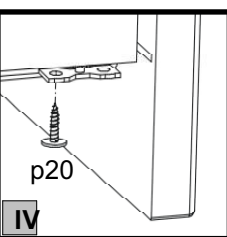
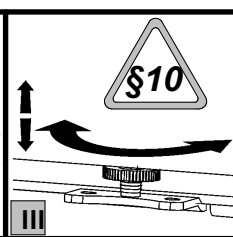
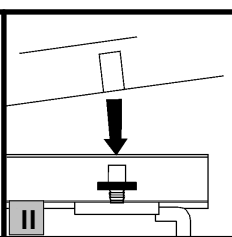
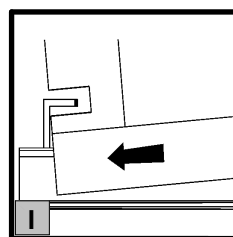
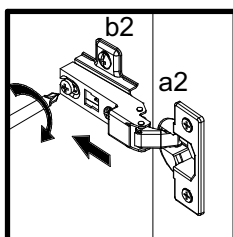
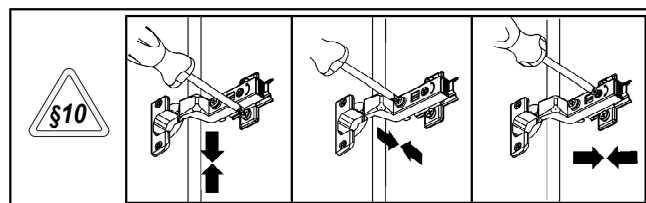
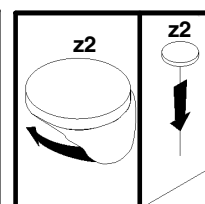
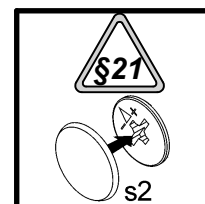
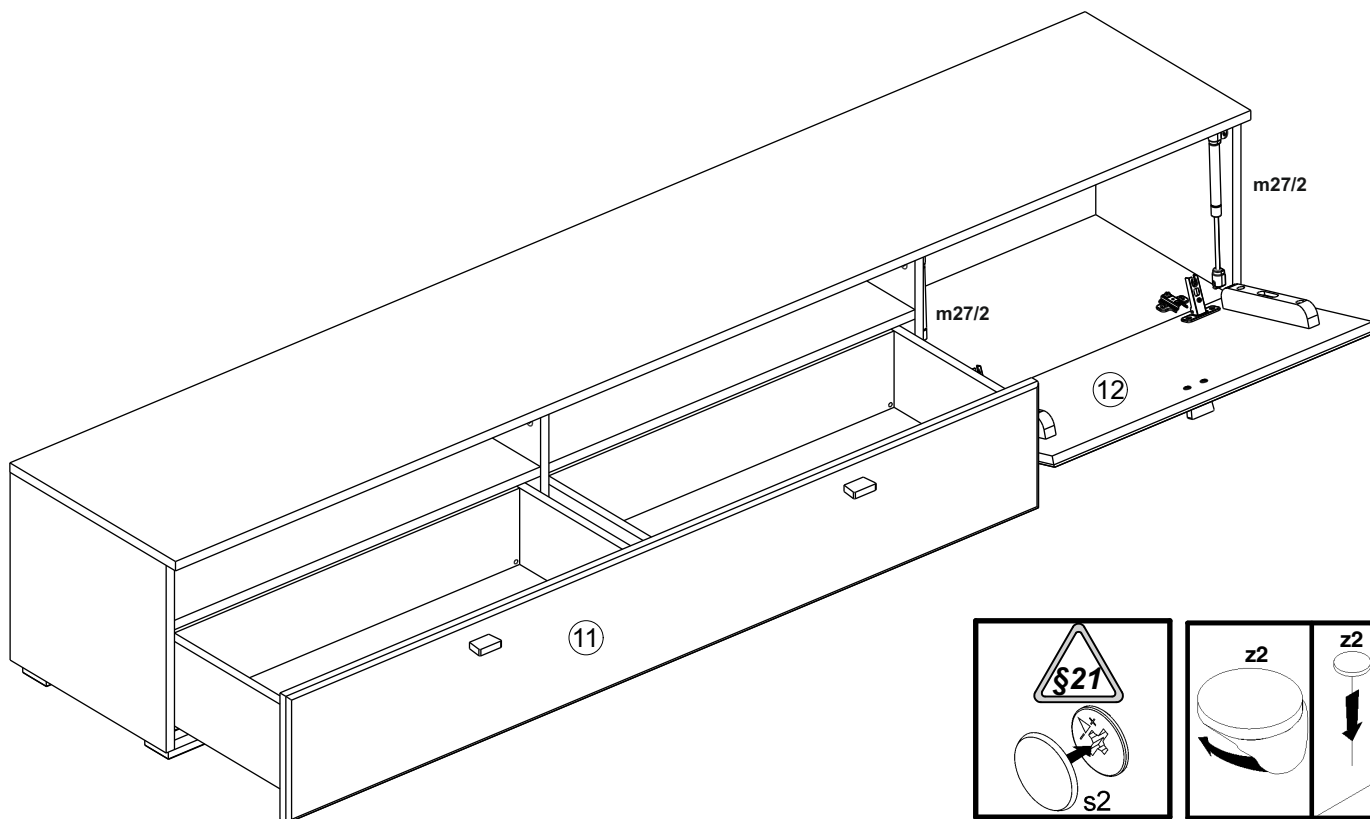
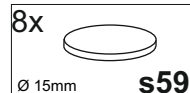
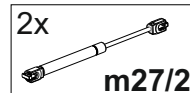
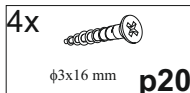
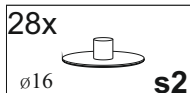
12



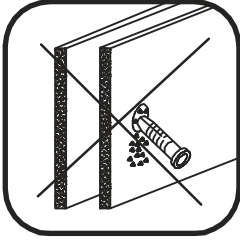
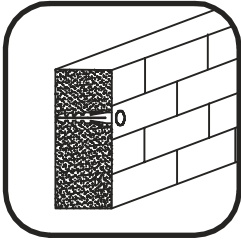
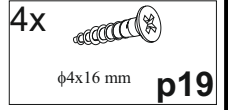
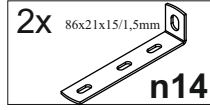
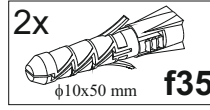
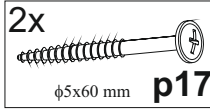
12



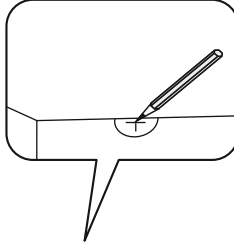
13



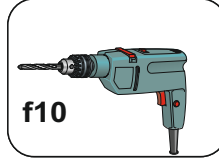
14



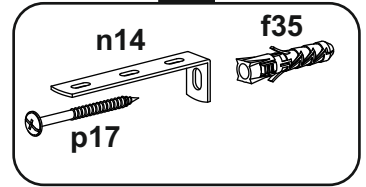
A



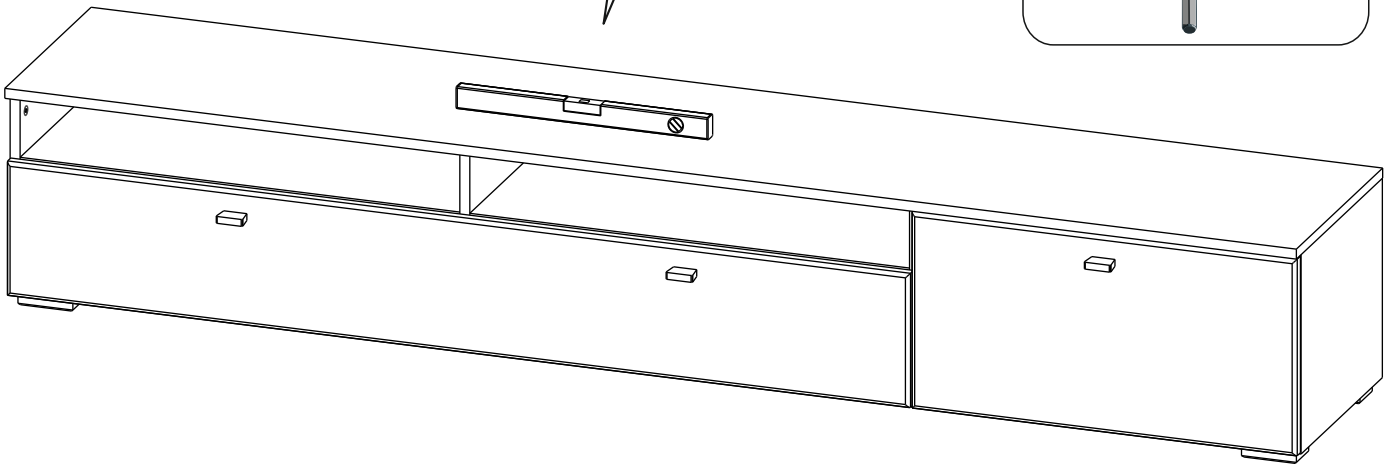
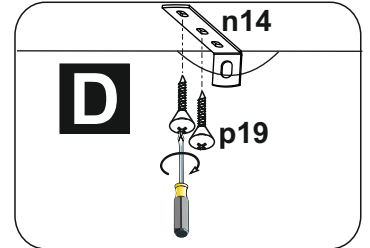
B



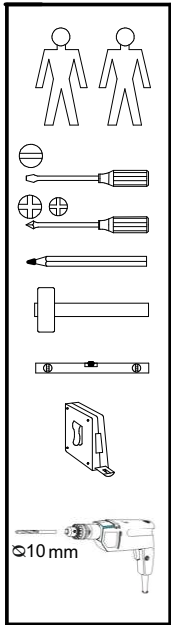
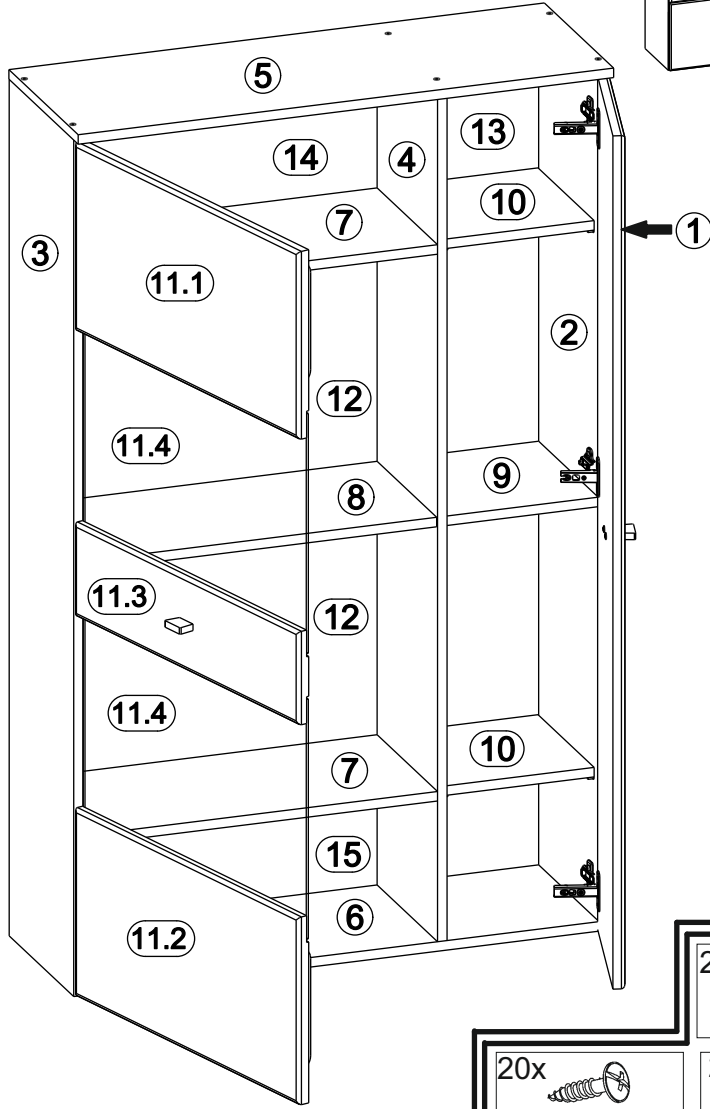
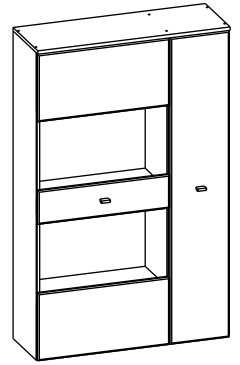
C



D



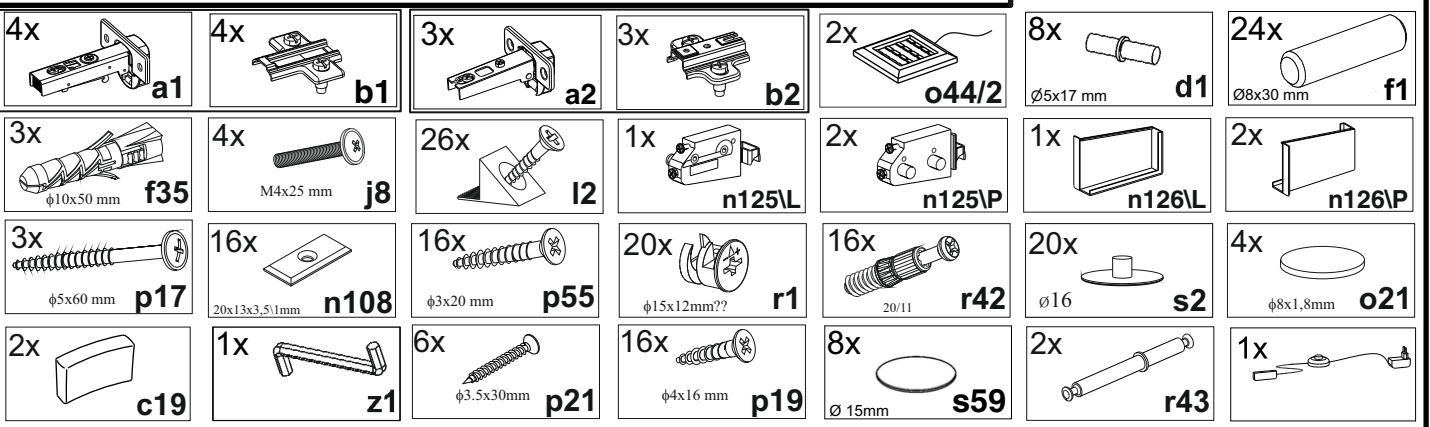
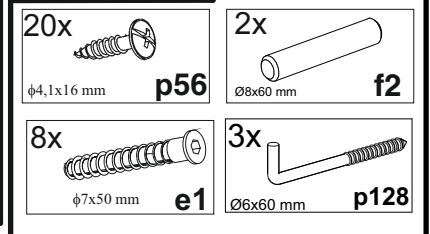
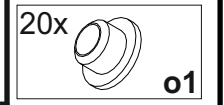
| A | B | C1 | C2 | C3 | D |
|------|----------|------|-----|----|-----|
| 1 | 11.001 | 1434 | 277 | 19 | 1/2 |
| 2 | 11.002 | 1440 | 298 | 16 | 1/2 |
| 3 | 11.003 | 1440 | 298 | 16 | 1/2 |
| 4 | 11.004 | 1424 | 279 | 16 | 1/2 |
| 5 | 11.005 | 900 | 320 | 16 | 1/2 |
| 6 | 11.006 | 867 | 298 | 16 | 1/2 |
| 7 | 11.007 | 596 | 279 | 16 | 1/2 |
| 8 | 11.008 | 596 | 275 | 16 | 1/2 |
| 9 | 11.009 | 256 | 275 | 16 | 1/2 |
| 10 | 11.010 | 254 | 269 | 16 | 1/2 |
| 11.1 | 11.011.1 | 617 | 315 | 55 | 1/2 |
| 11.2 | 11.011.2 | 617 | 315 | 55 | 1/2 |
| 11.3 | 11.011.3 | 617 | 158 | 20 | 1/2 |
| 11.4 | 11.011.4 | 403 | 615 | 16 | 1/2 |
| 12 | 11.012 | 458 | 608 | 3 | 1/2 |
| 13 | 11.013 | 1434 | 268 | 3 | 1/2 |
| 14 | 11.014 | 266 | 608 | 3 | 1/2 |
| 15 | 11.015 | 250 | 608 | 3 | 1/2 |



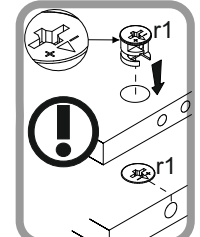
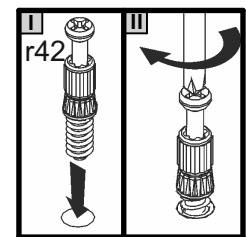
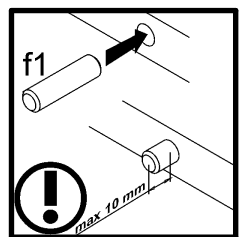
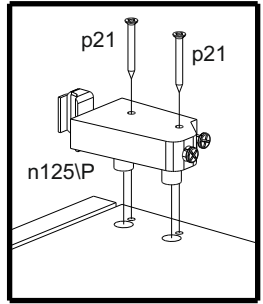
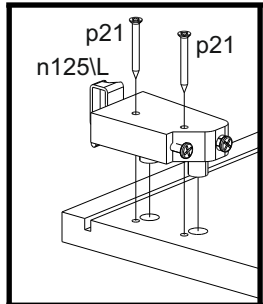
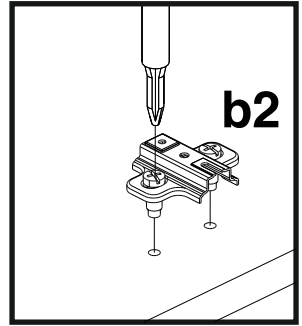
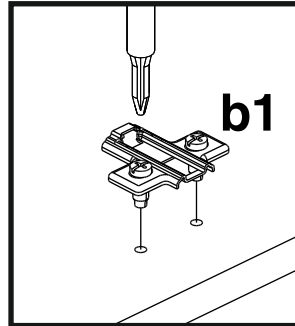
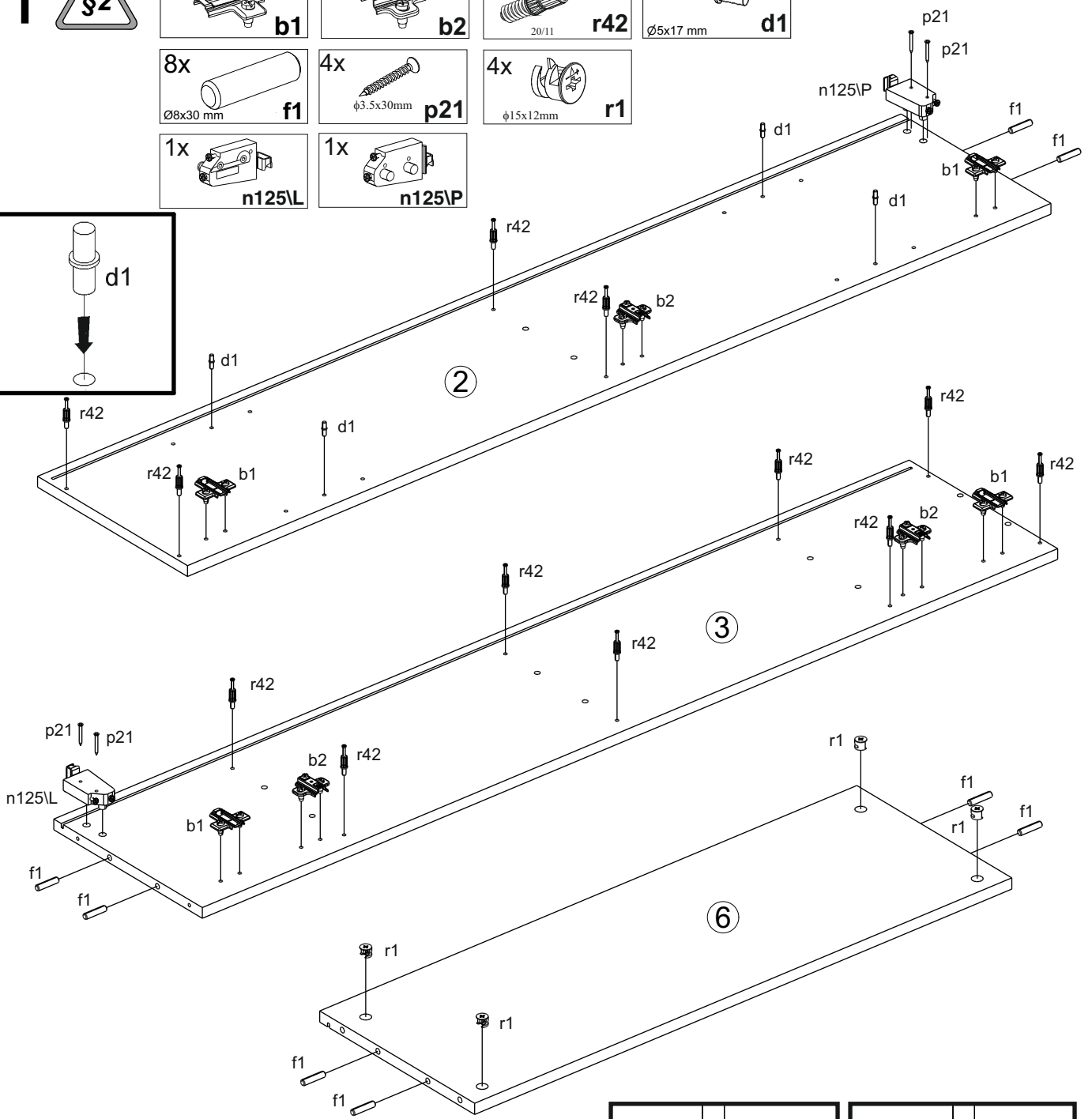
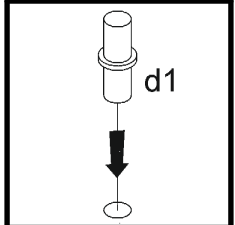
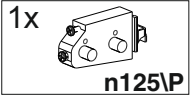
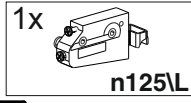
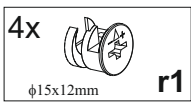
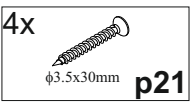
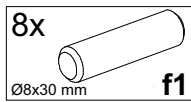
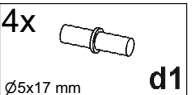
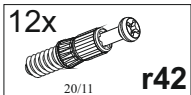
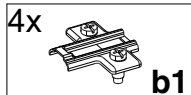
max.



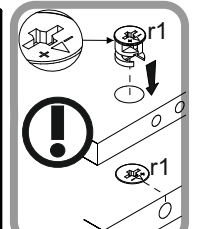
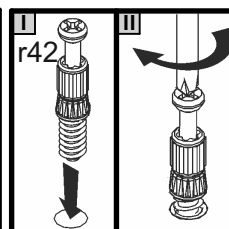
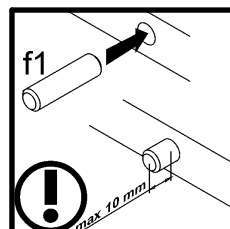
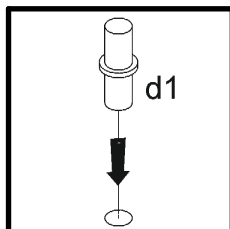
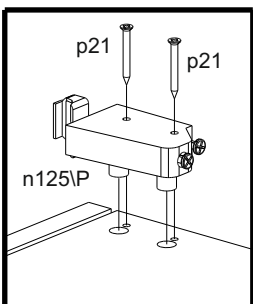
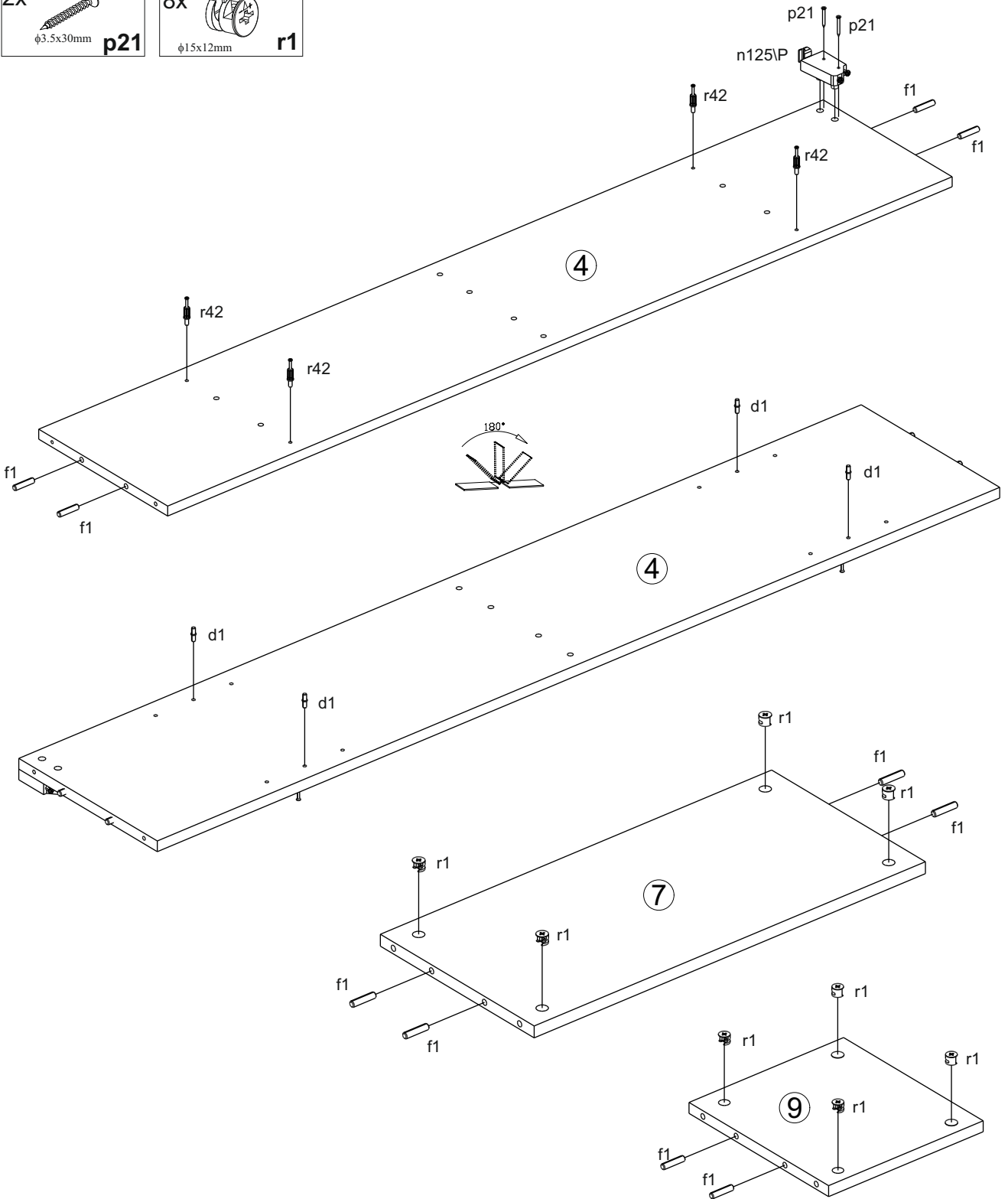
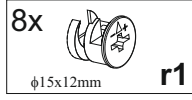
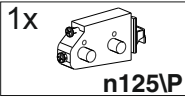
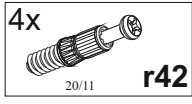
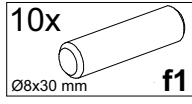
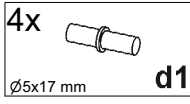
max.



1



2



3



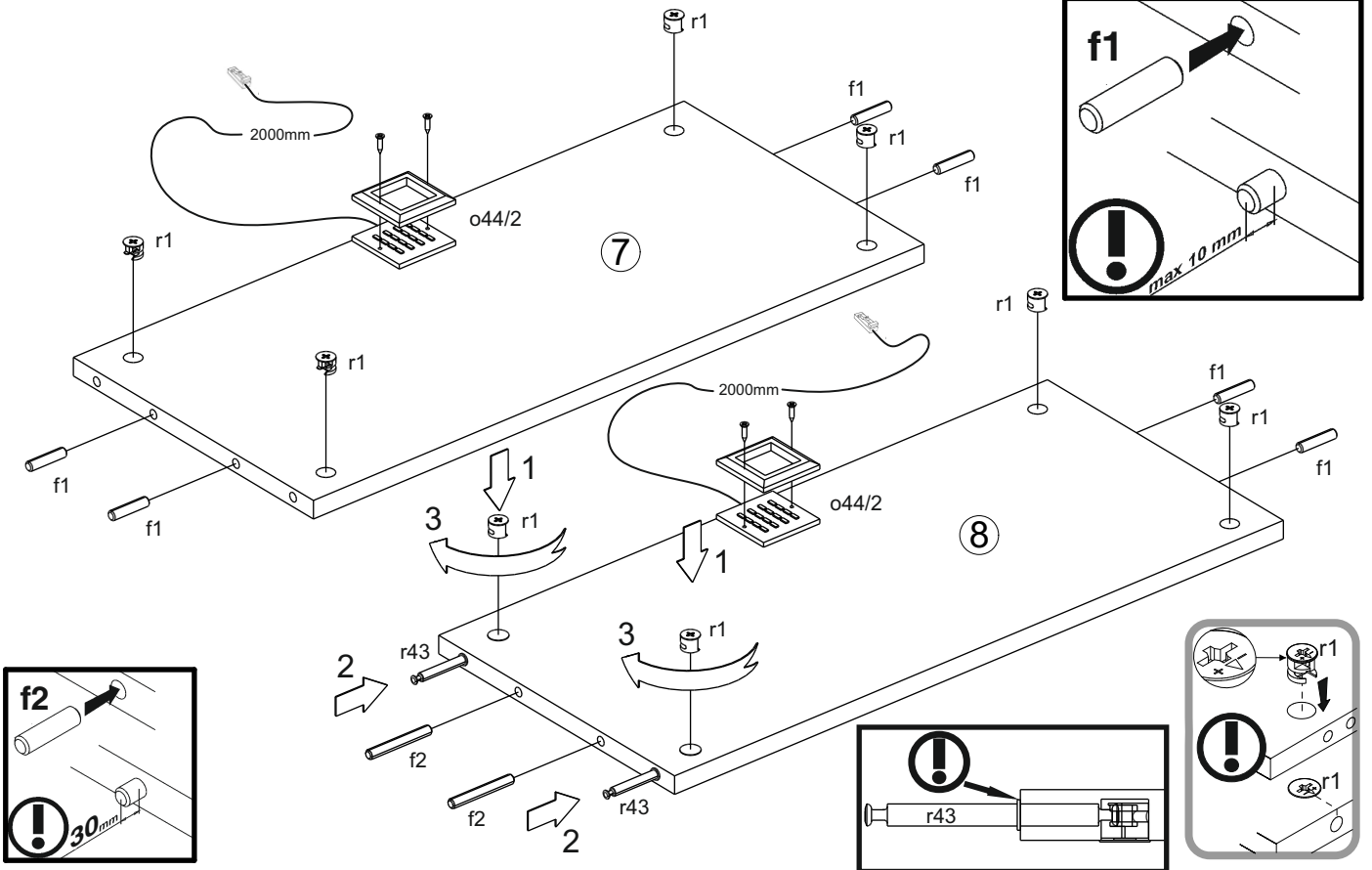
2x
Ø8x60 mm
f2

6x
Ø8x30 mm
f1

8x
φ15x12mm
r1

2x
o44/2

2x
r43

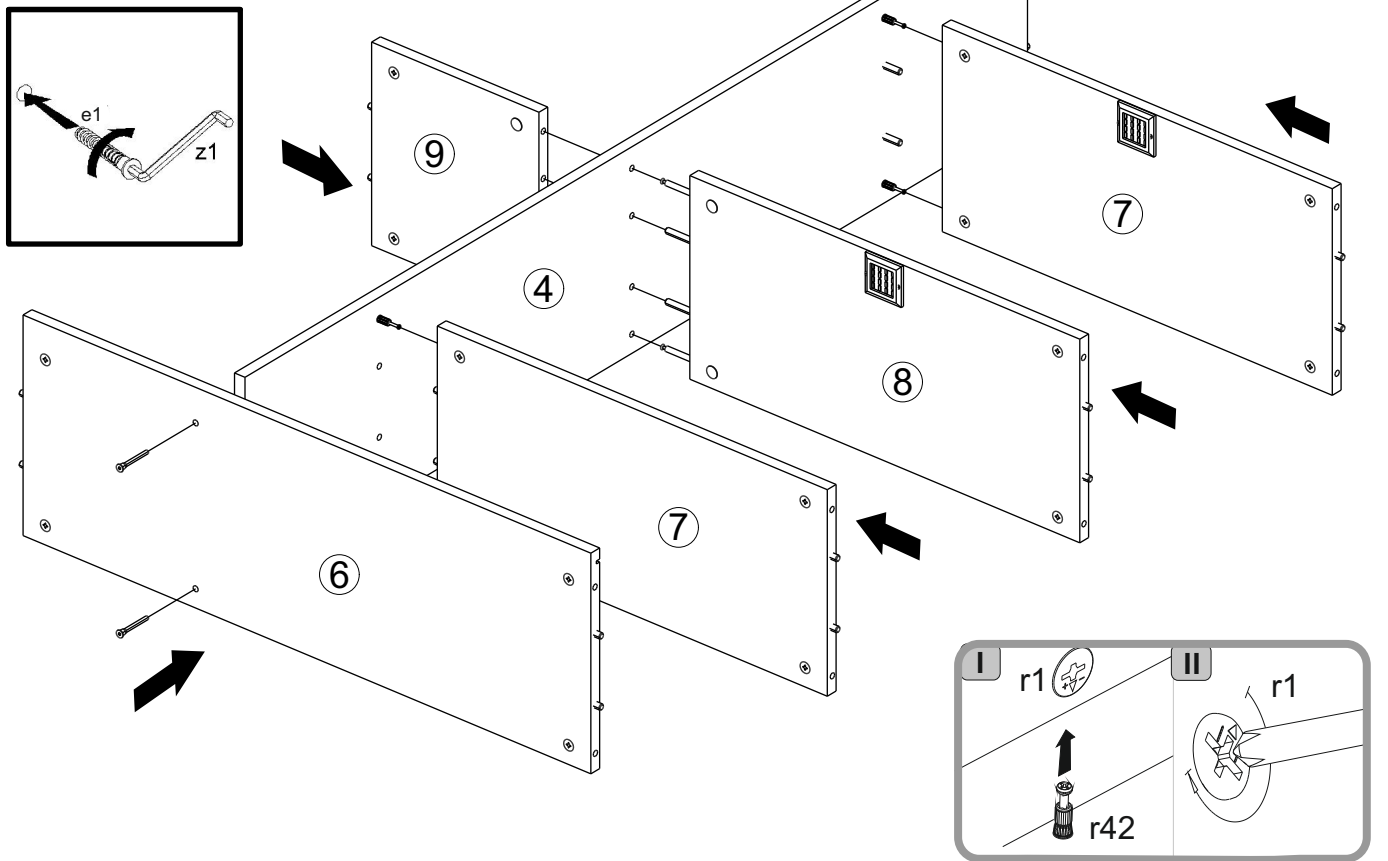


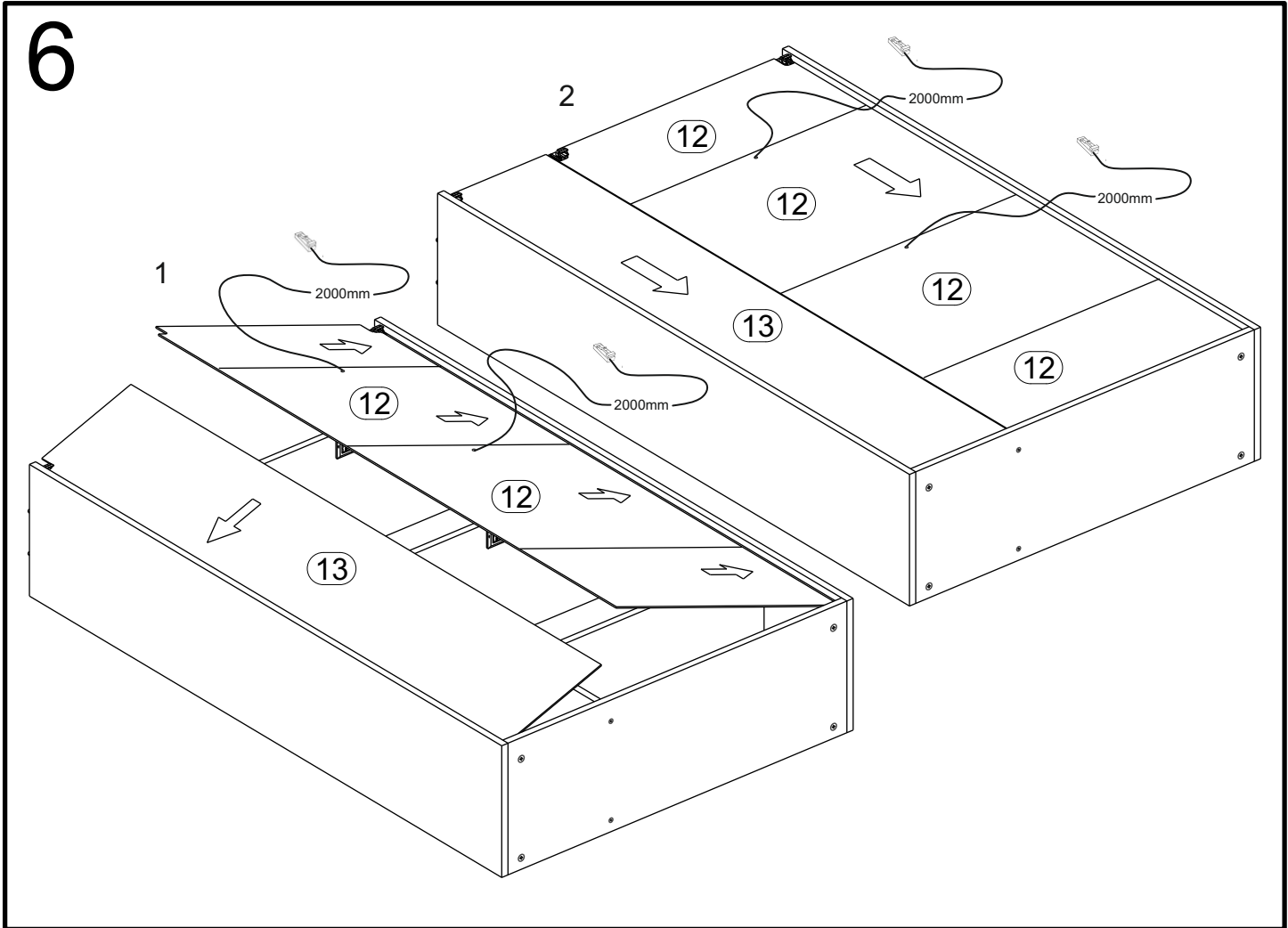
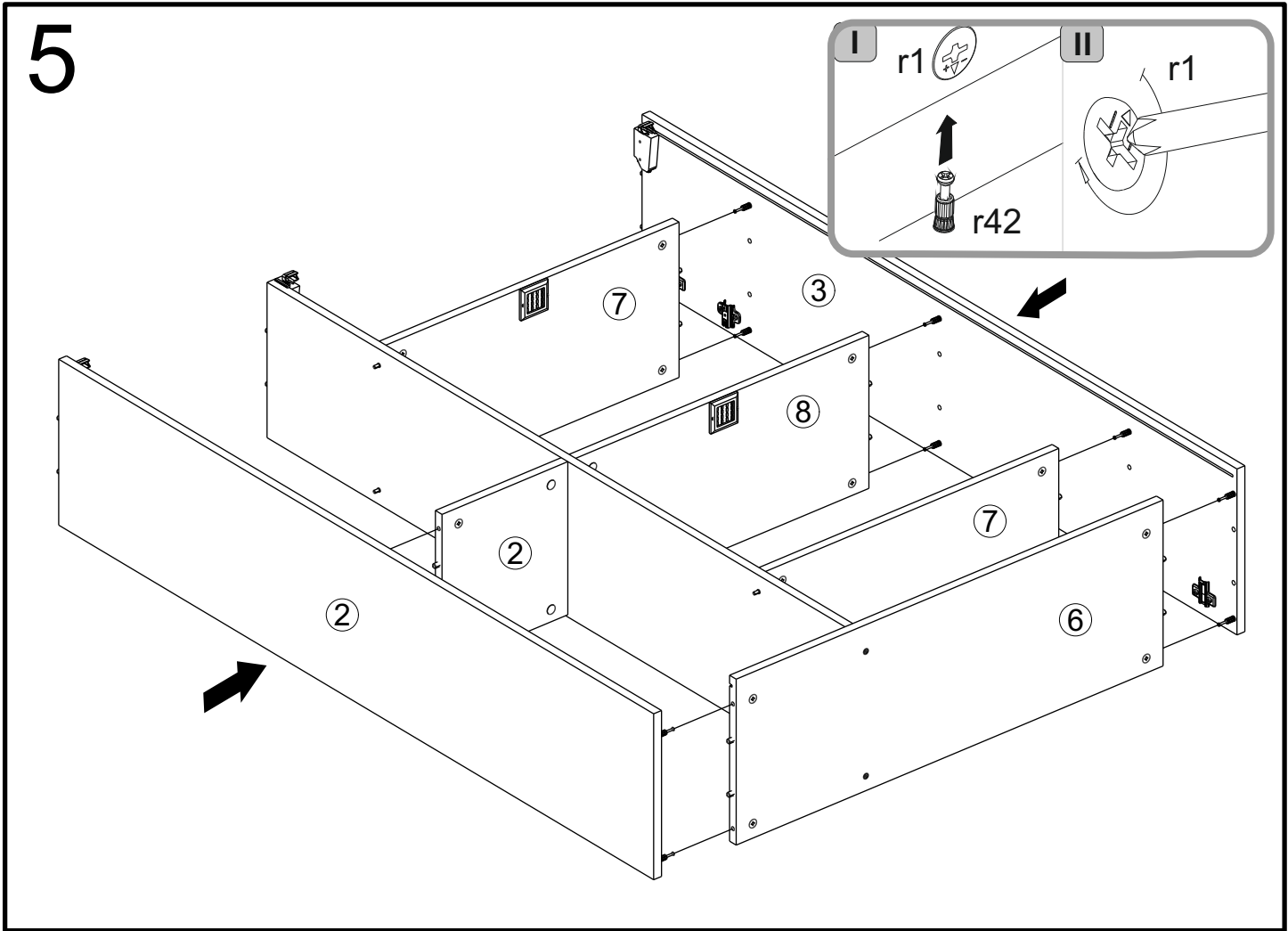
4



2x
φ7x50 mm
e1

1x
z1

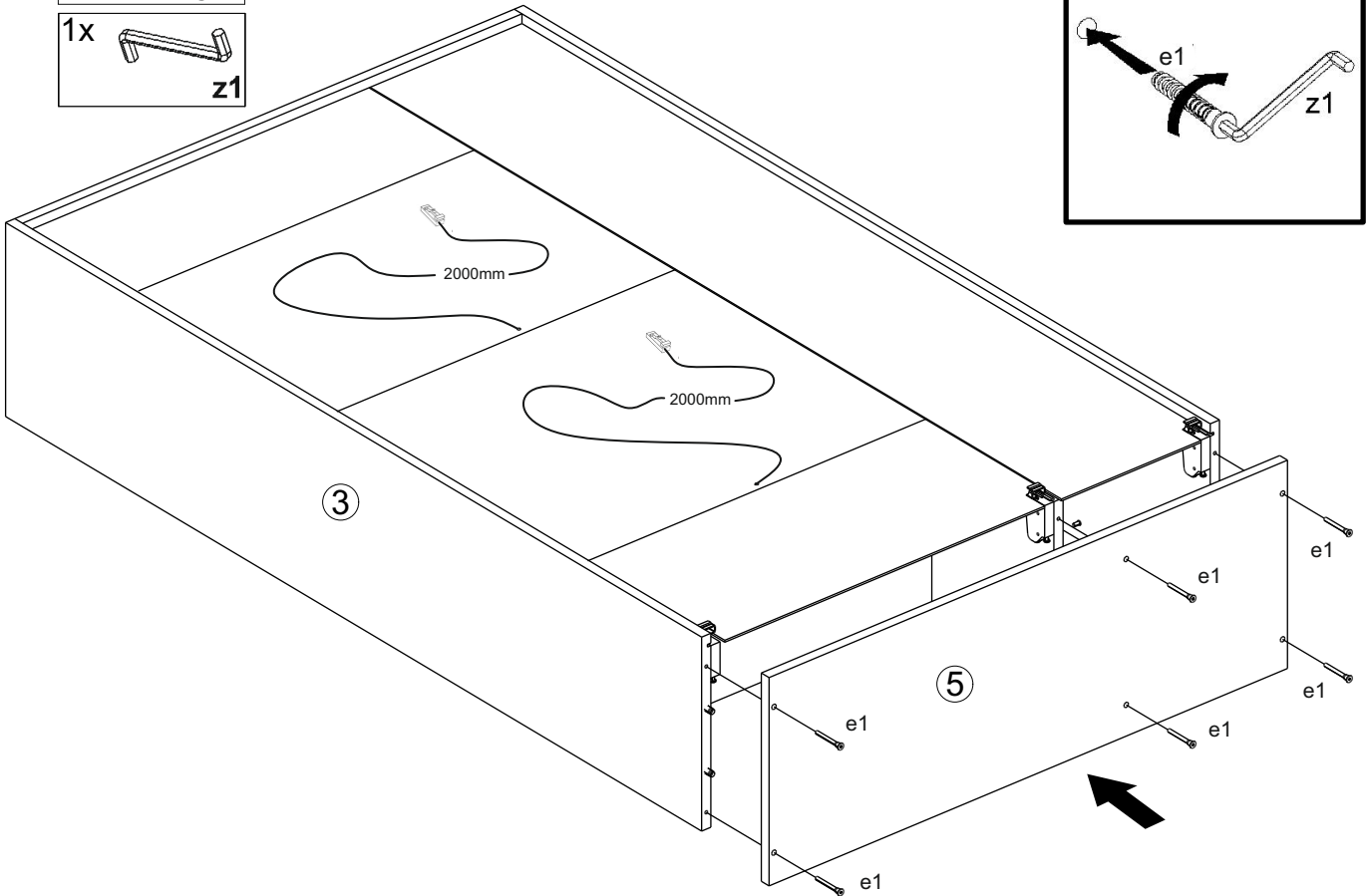
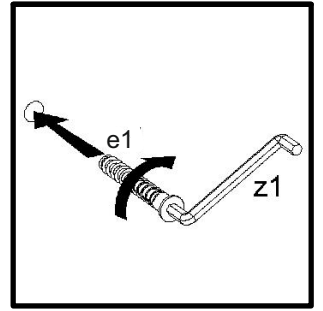




7

2x
φ7x50 mm e1

1x
z1

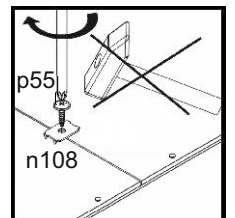
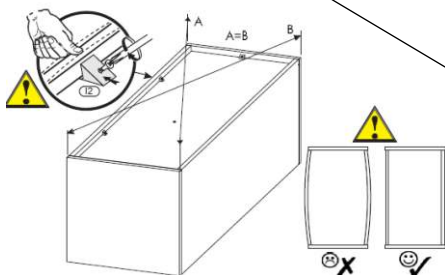
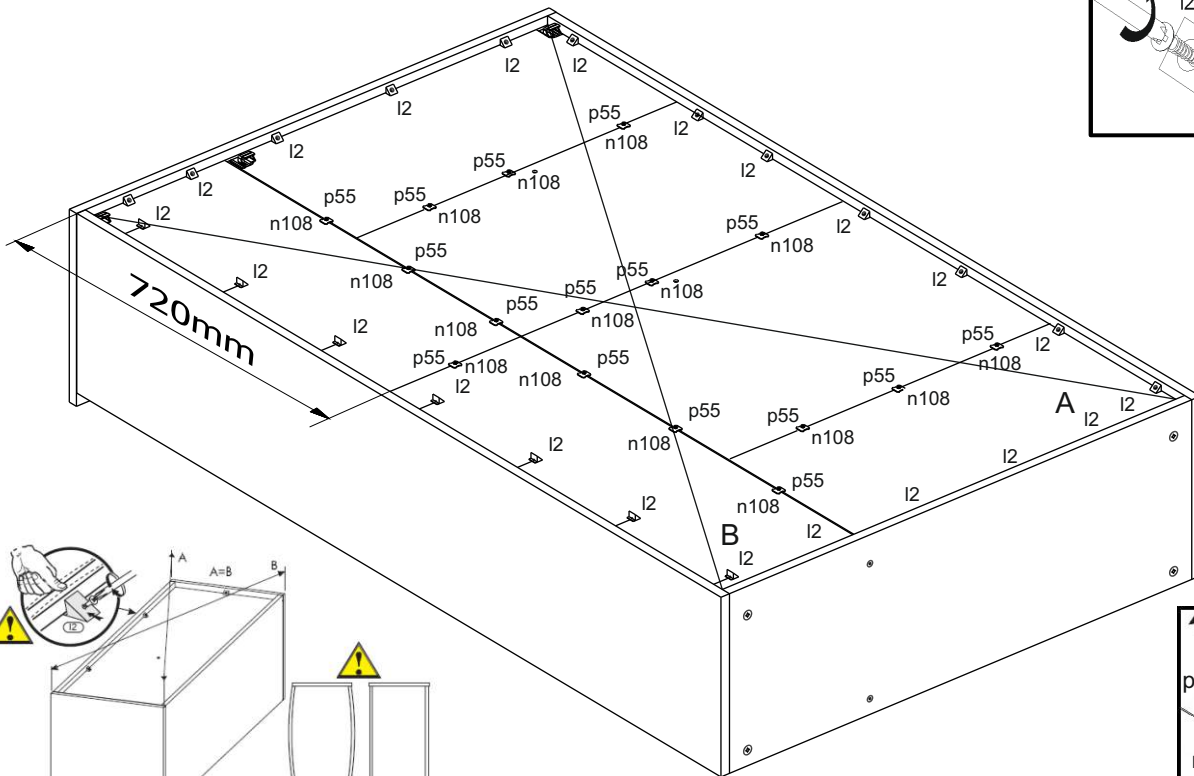
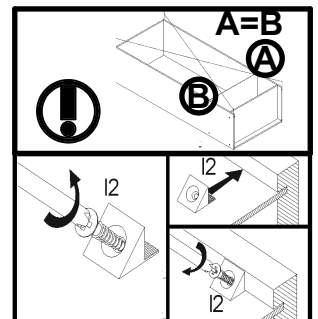


8

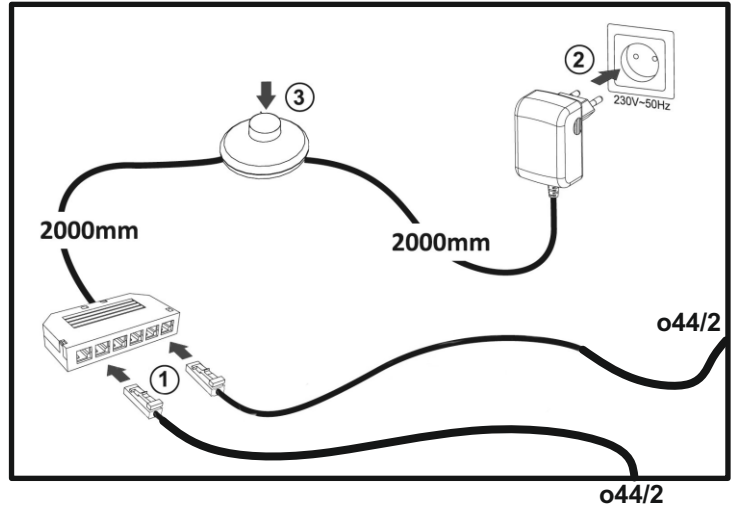
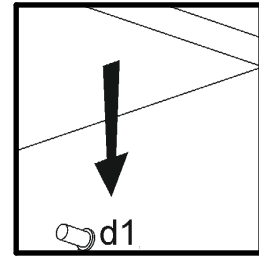
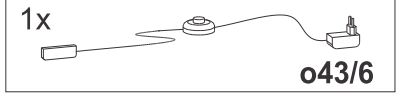
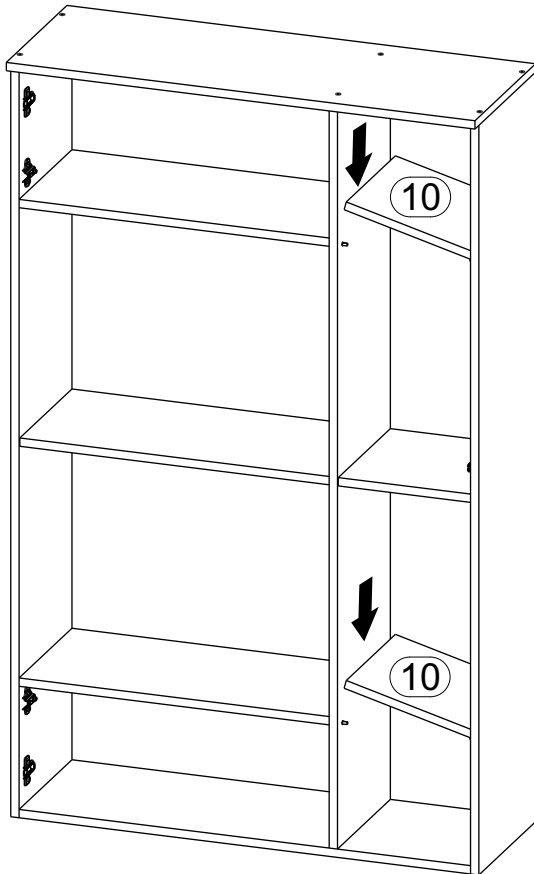
16x
φ3x20 mm p55

16x
20x13x3.5/1mm n108

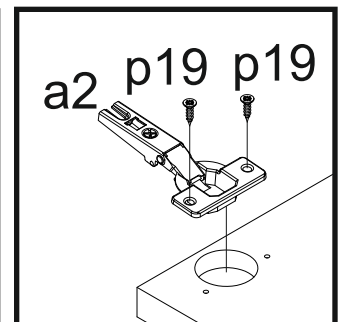
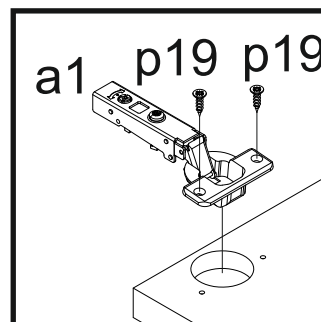
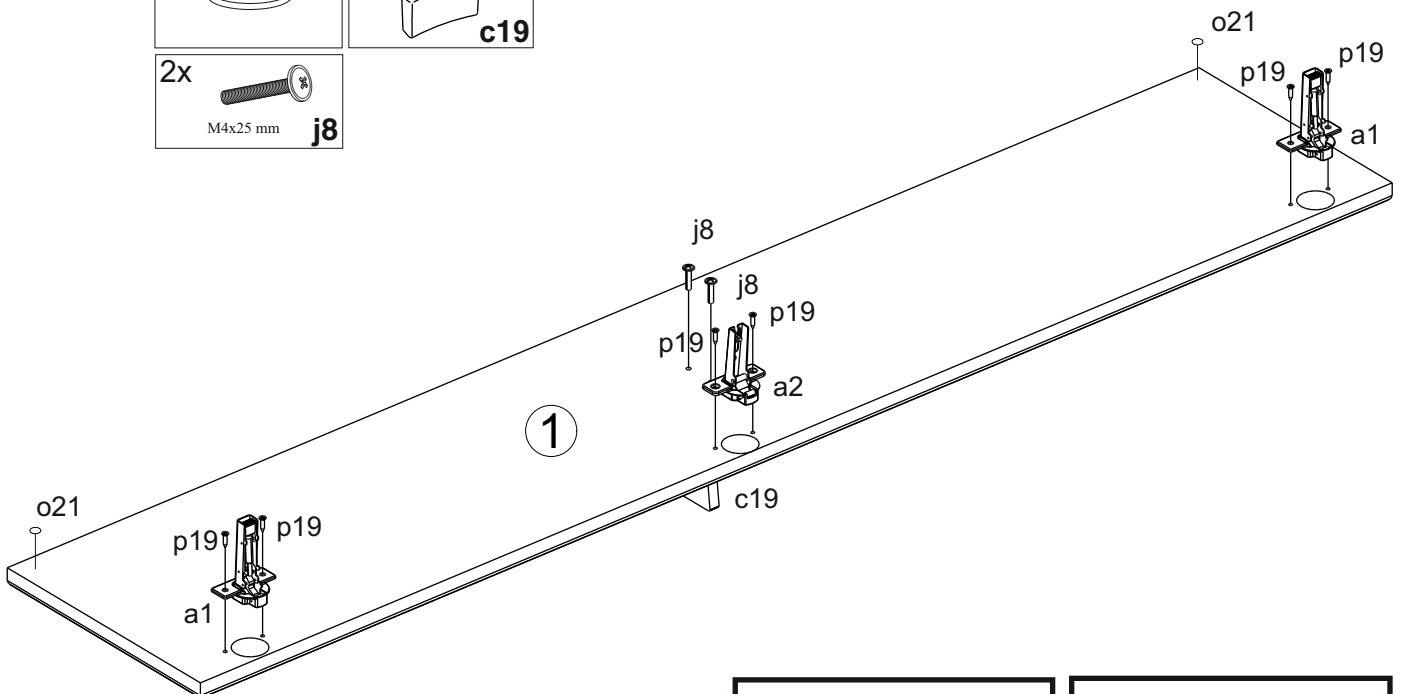
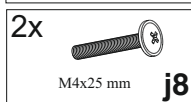
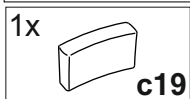
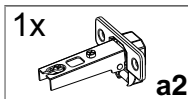
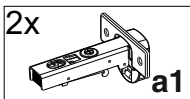
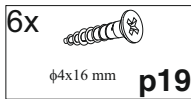
26x
l2




9

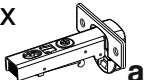


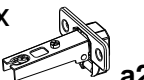
10





11

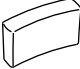
8x  $\phi 4 \times 16$ mm **p19**

2x  **a1**


2x  **a2**

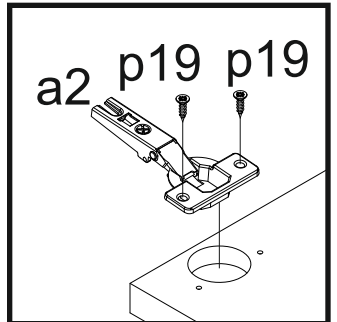
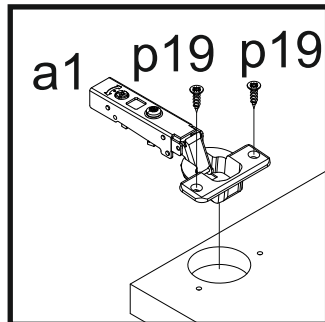
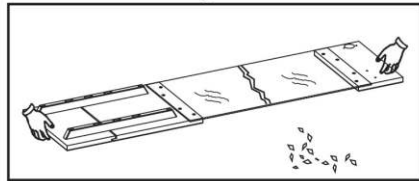
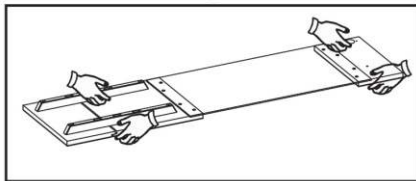
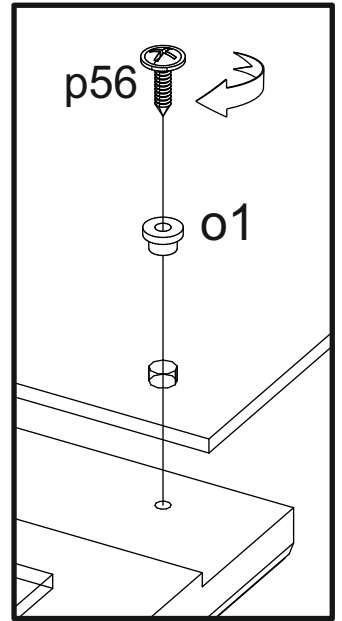
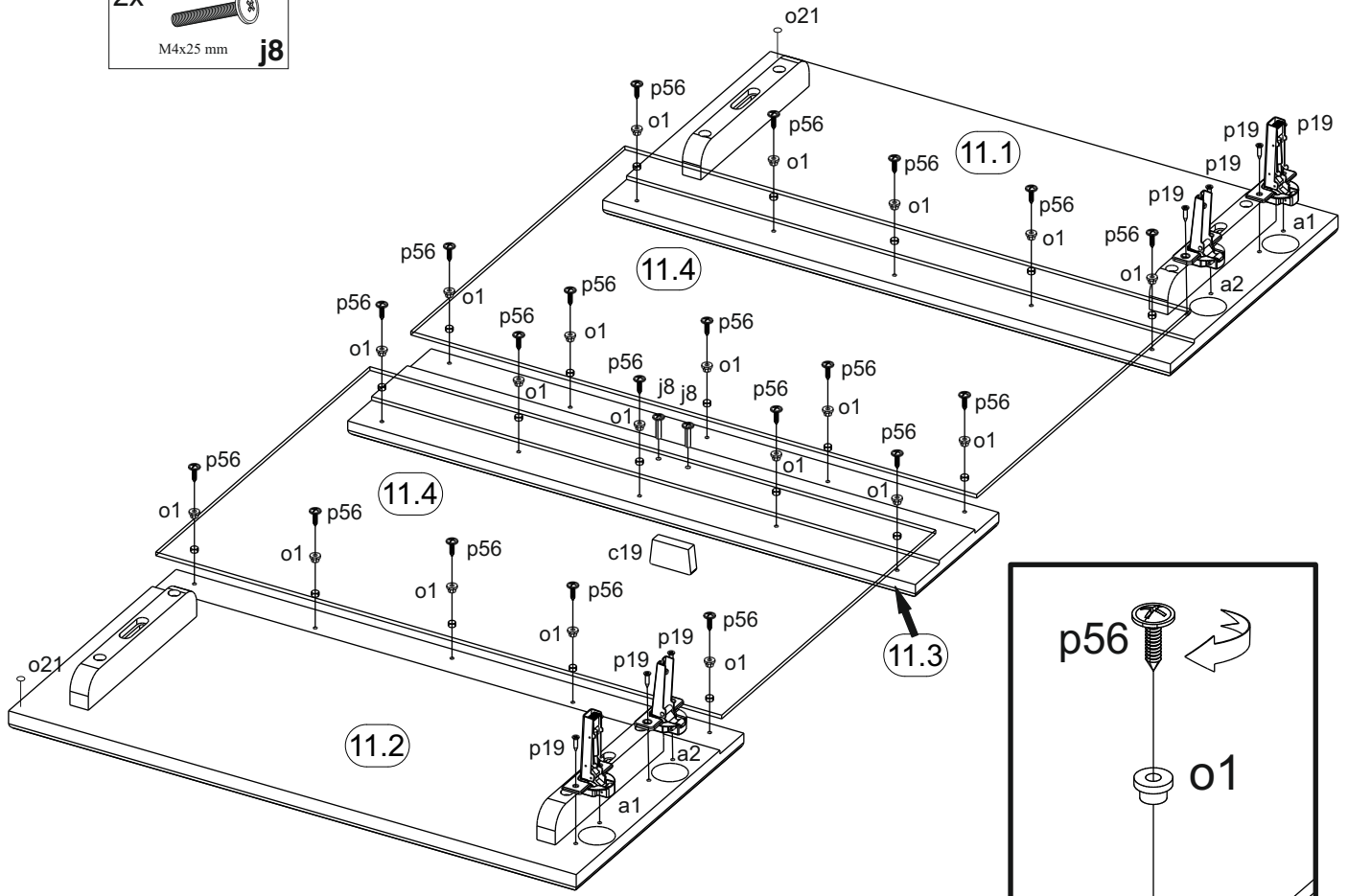
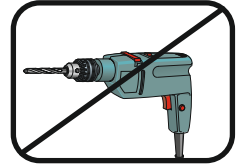
20x  $\phi 4,1 \times 16$ mm **p56**

2x  **o1**

1x  **c19**

20x  **o1**

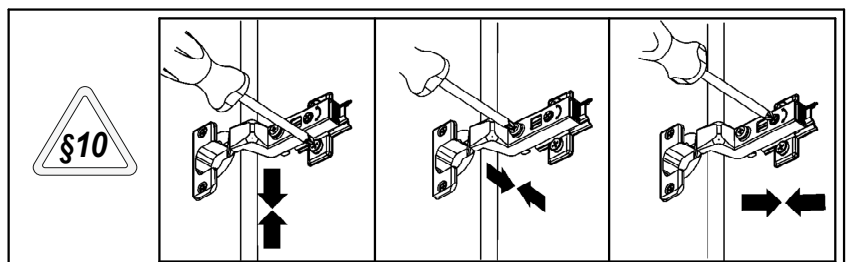
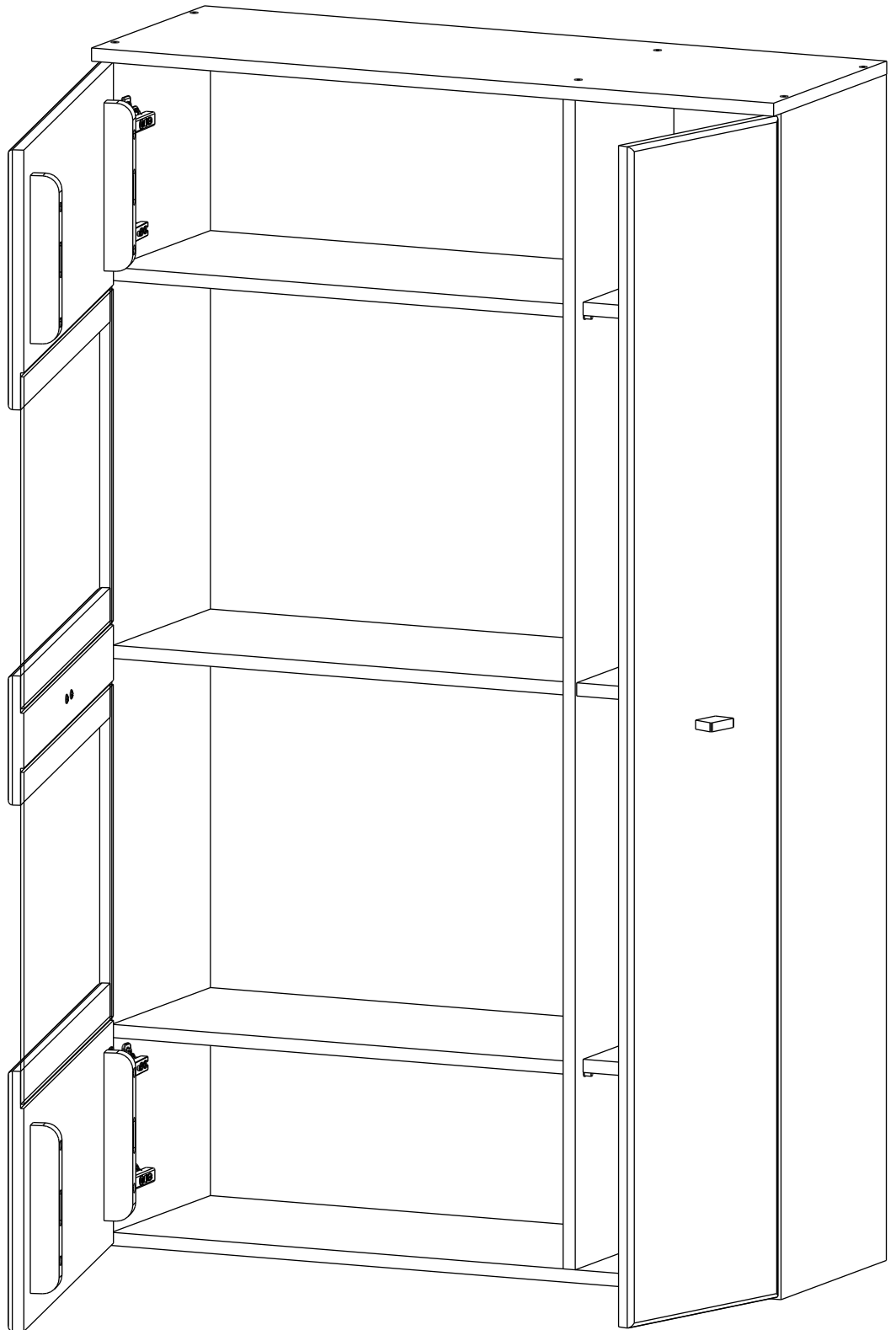
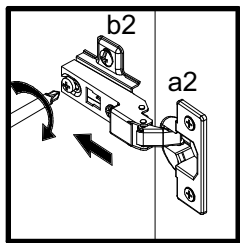
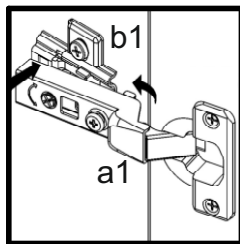
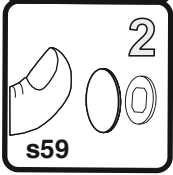
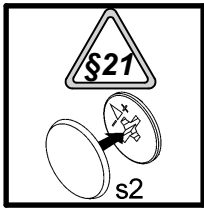
2x  **M4x25** mm **j8**



12

8x
Ø 15mm
s59

20x
Ø 16
s2



13

