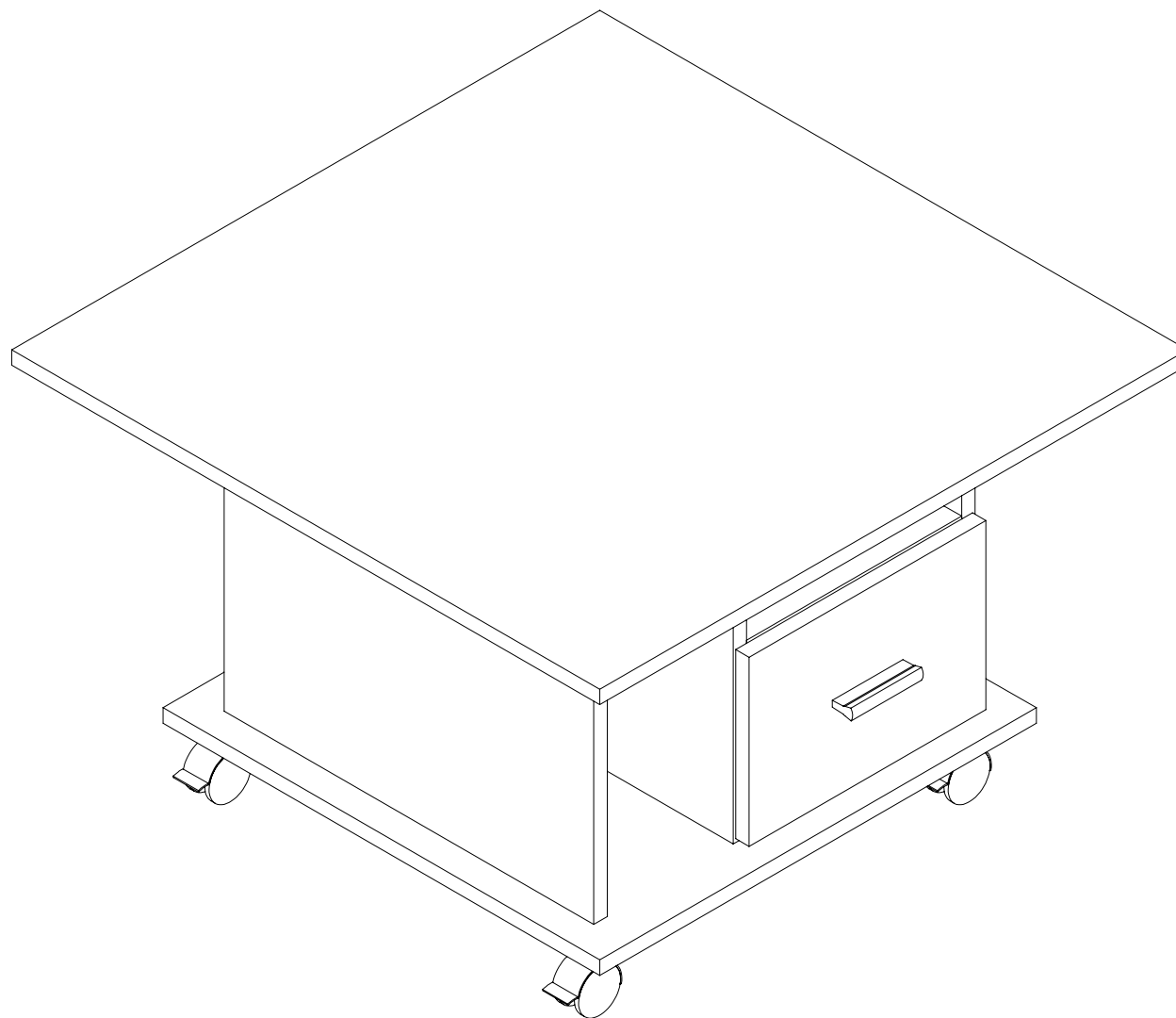
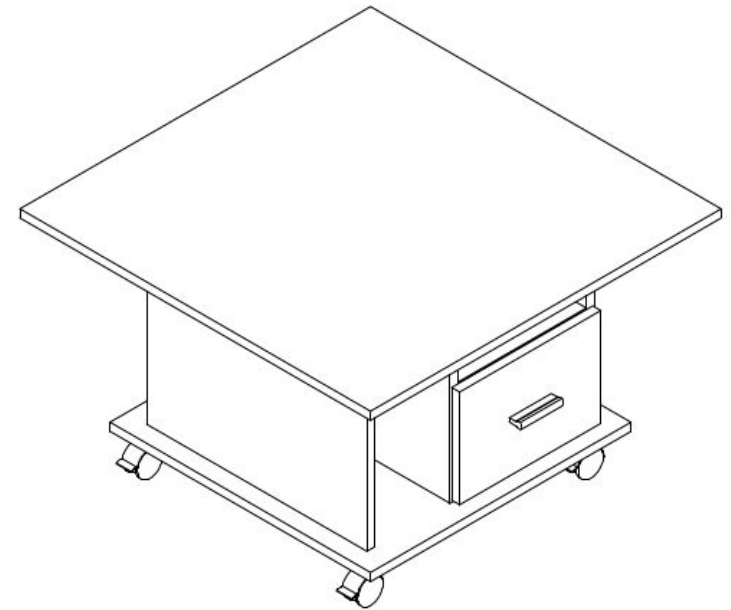
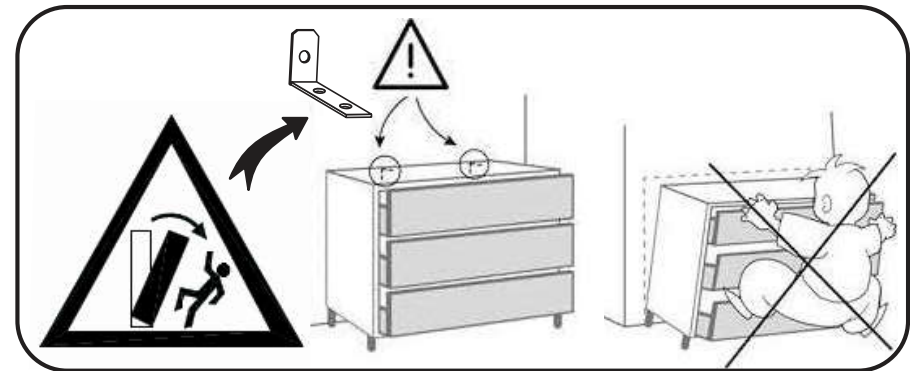
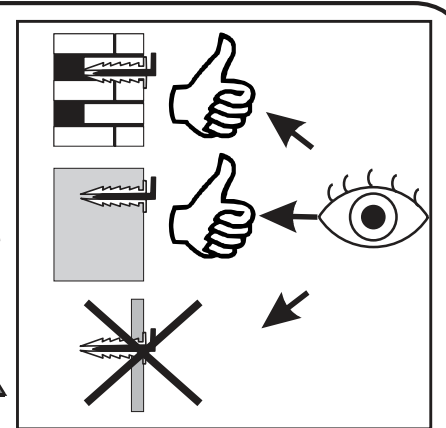
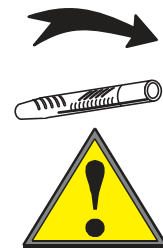
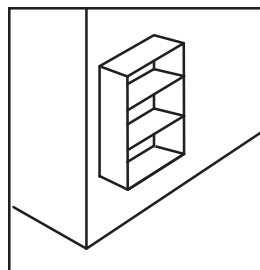
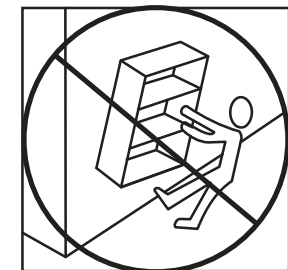
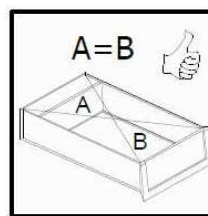
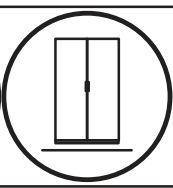
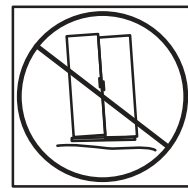
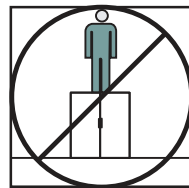
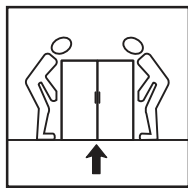
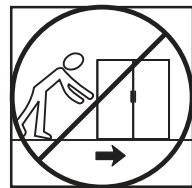
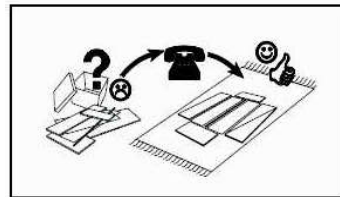
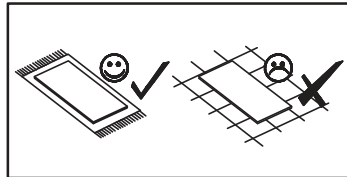
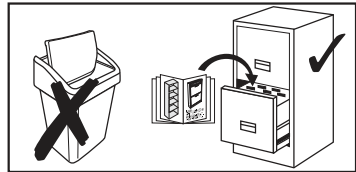
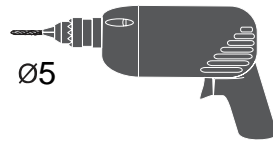
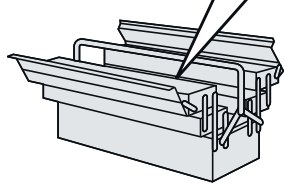
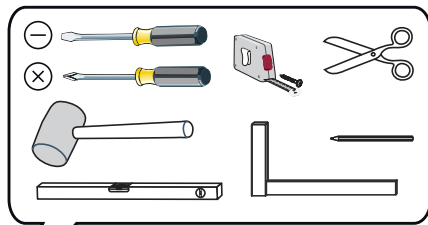
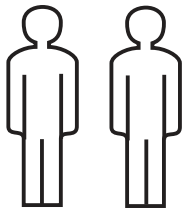


ACTIVO 1

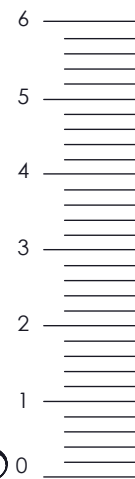
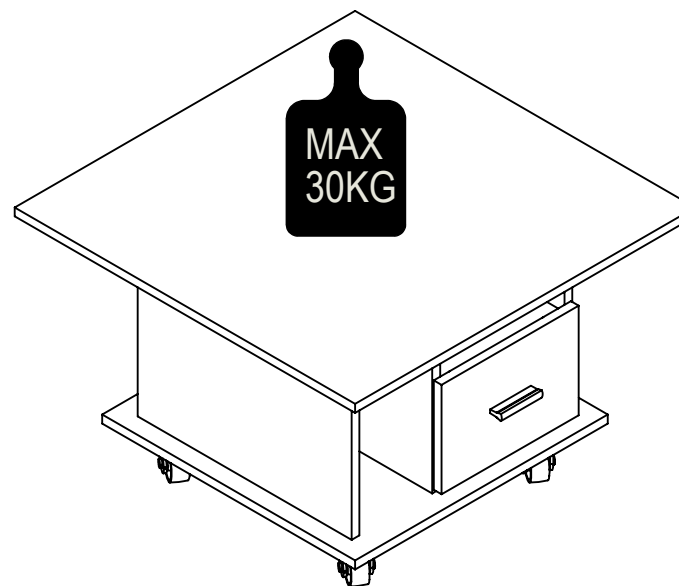
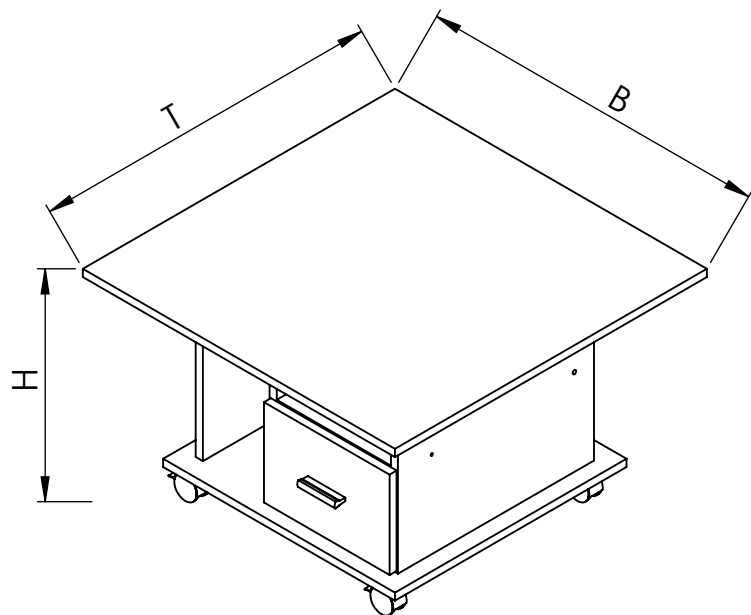




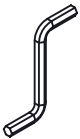

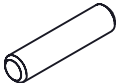
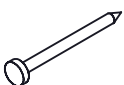
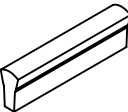

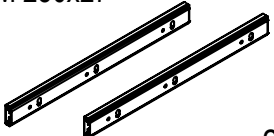

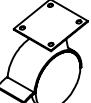



ACTIVO 1

1 / 8

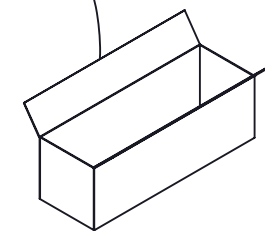


B - 700mm
H - 450mm
T - 700mm

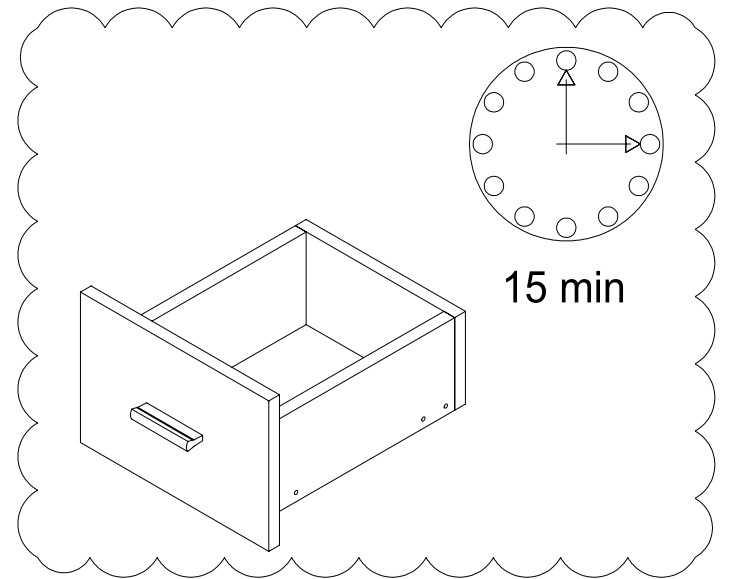
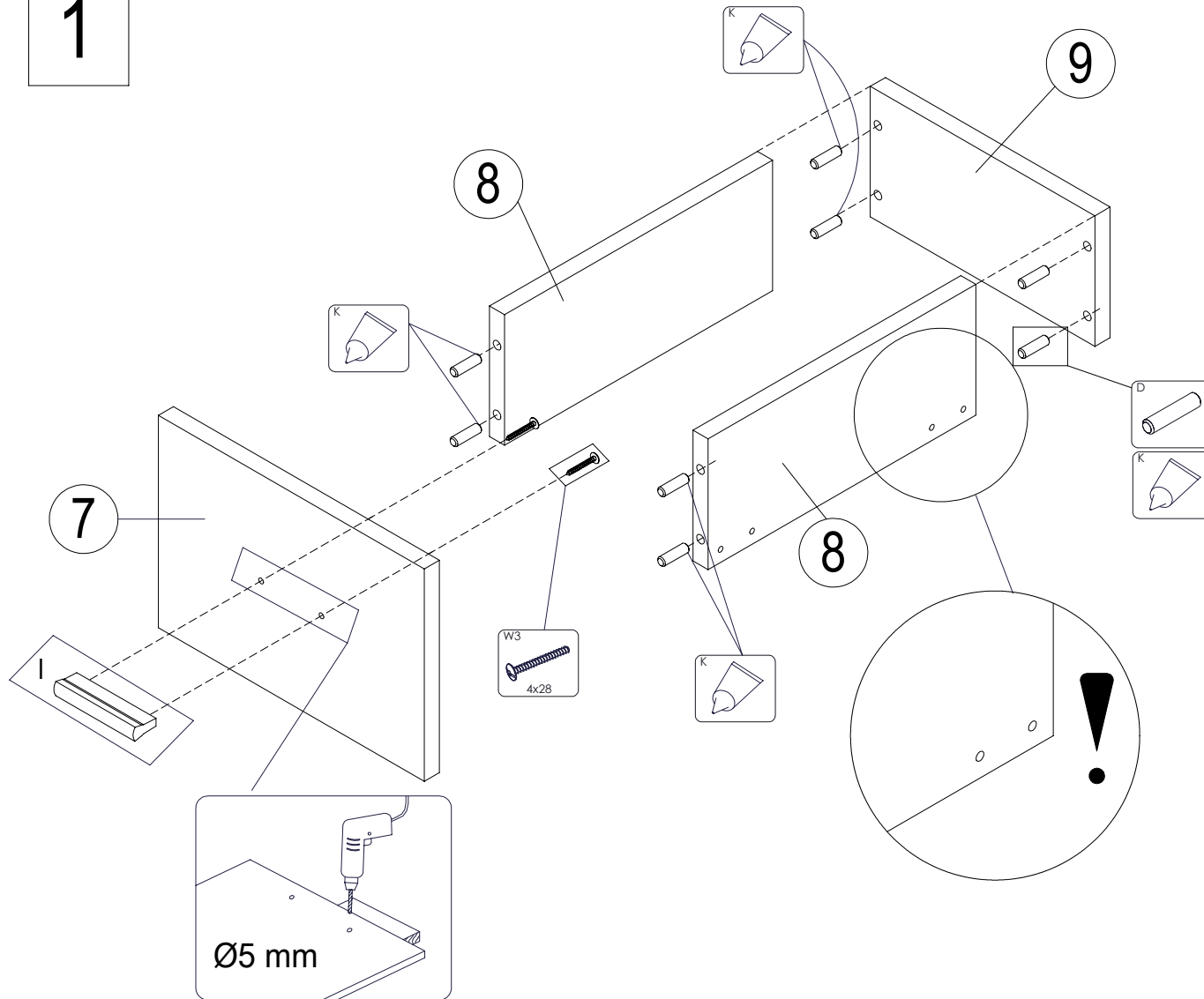


A  x6	B  x6	C  x1	B-2  x12	D  x34
H  x12	I  x1	K  x1	M 250x27  x2	
MS  x12	P-4  x4	TR  x12	W1 3,5x16  x26	W3 4x28  x2

1	520	520	1	1/1
2	440	353	1	1/1
3	440	353	1	1/1
4	440	353	1	1/1
5	256	440	1	1/1
6	700	700	1	1/1
7	282	195	1	1/1
8	284	120	2	1/1
9	238	120	1	1/1
10	234	304	1	1/1
11	256	186	1	1/1



1



15 min

D	
x8	

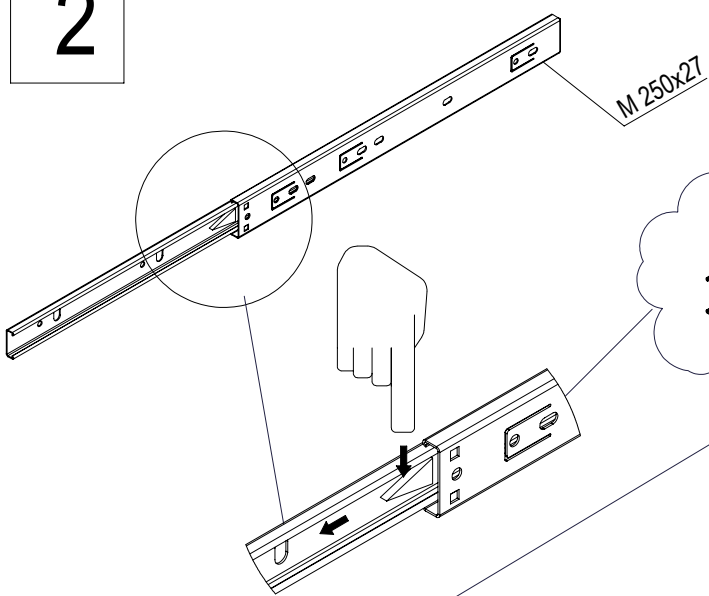
K	
x1	

W3	
x2	4x28

I	
x1	

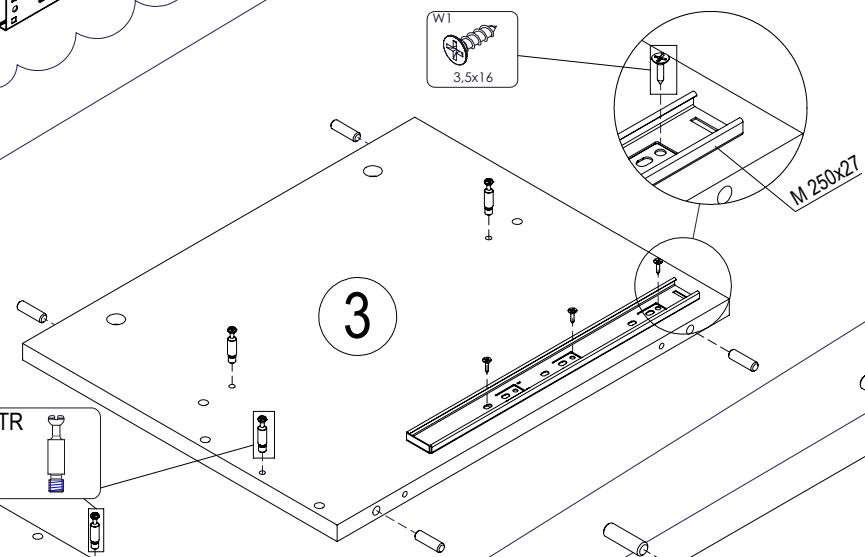
ACTIVO 1

2



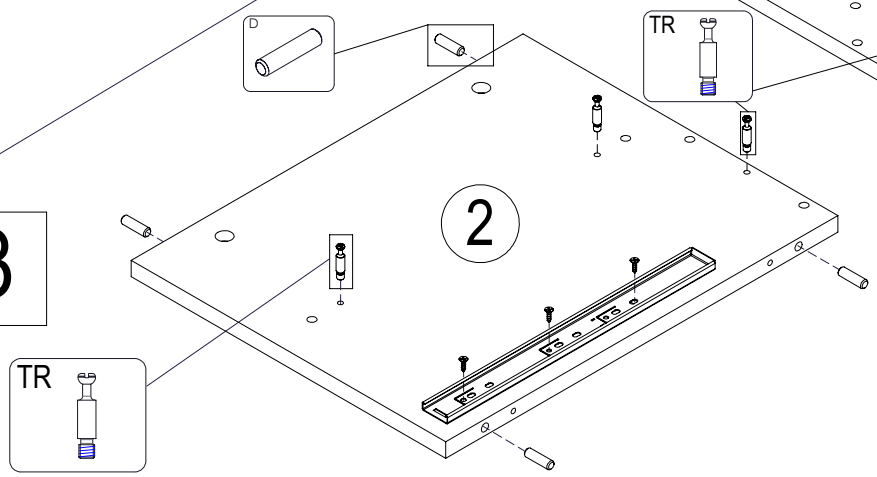
TR	
x6	
W1	
x6	3,5x16
D	
x16	

3

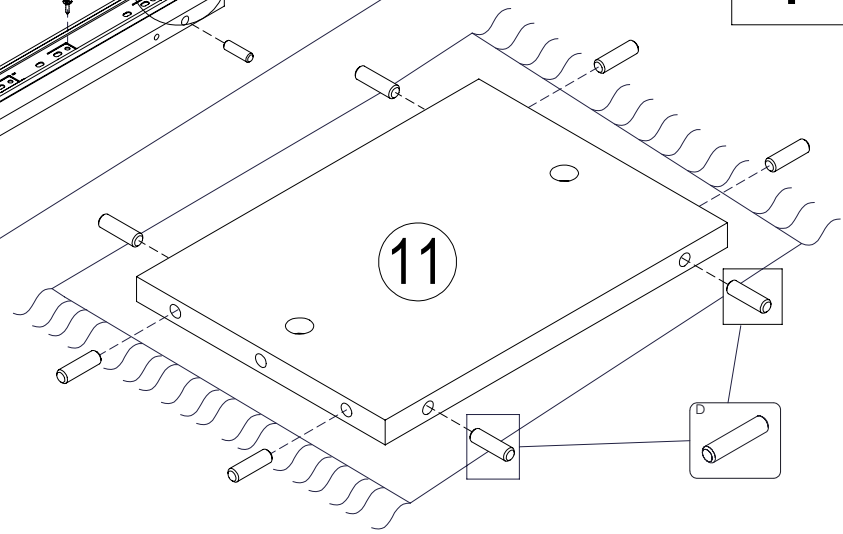


4

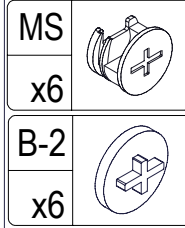
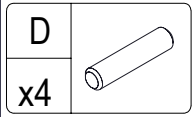
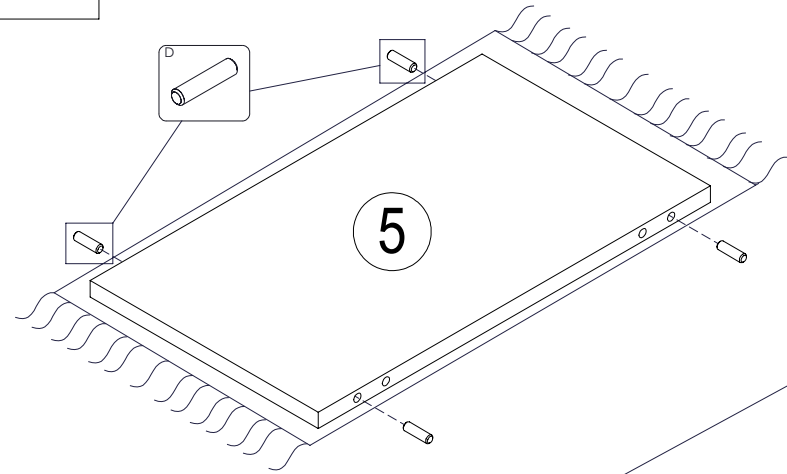
3



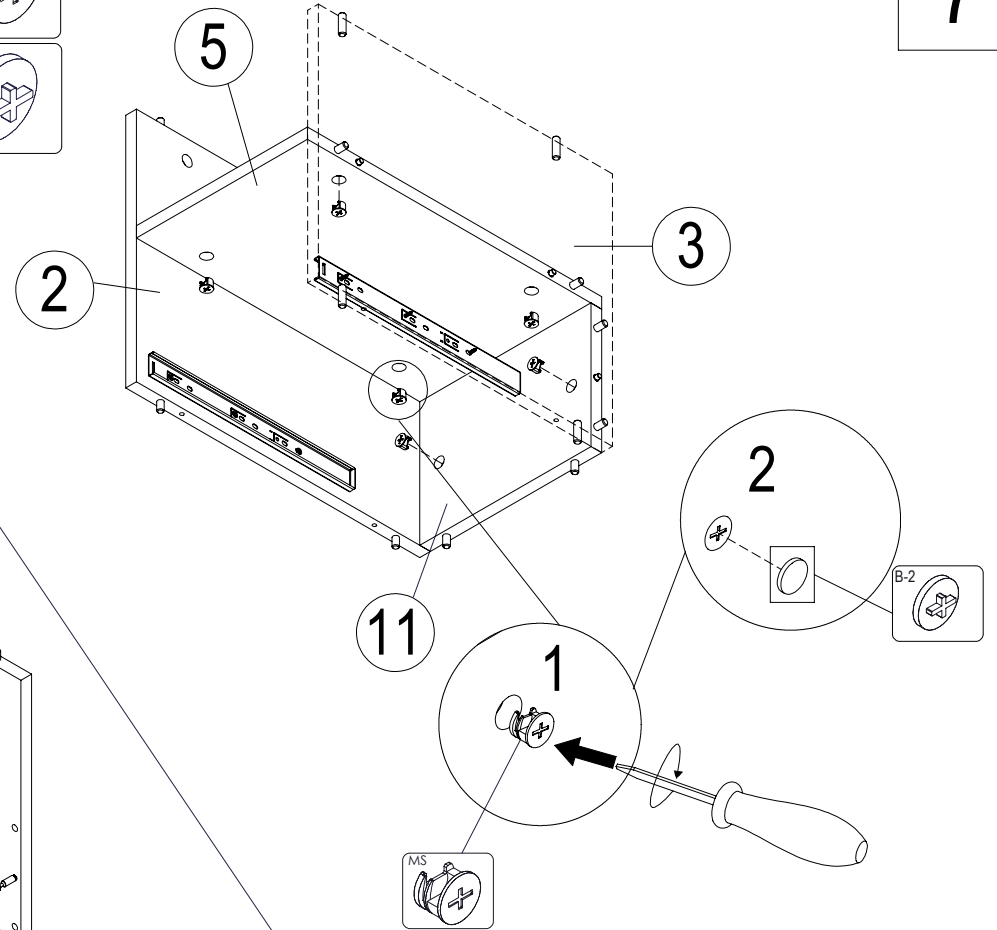
11



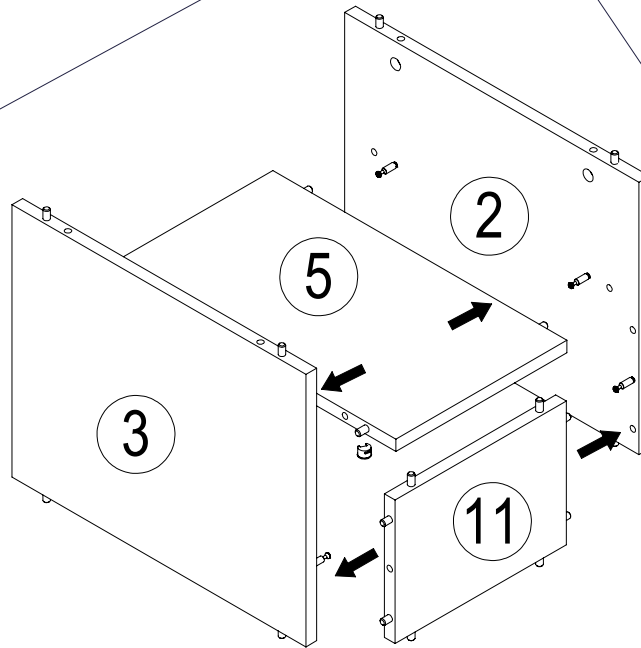
5



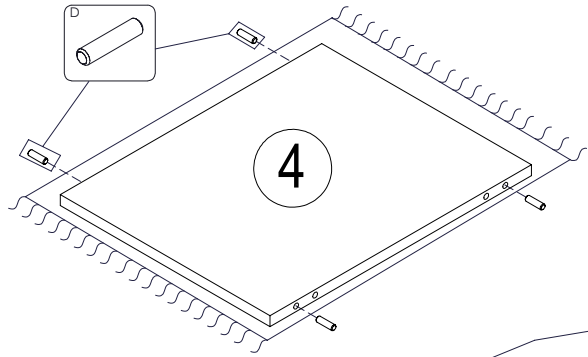
7



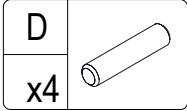
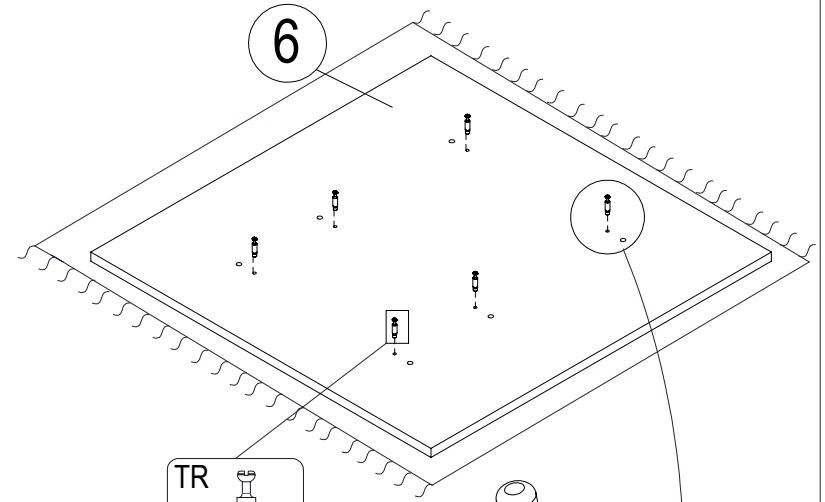
6



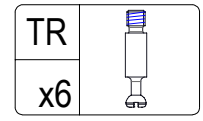
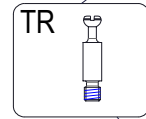
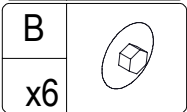
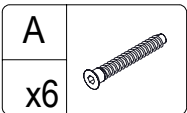
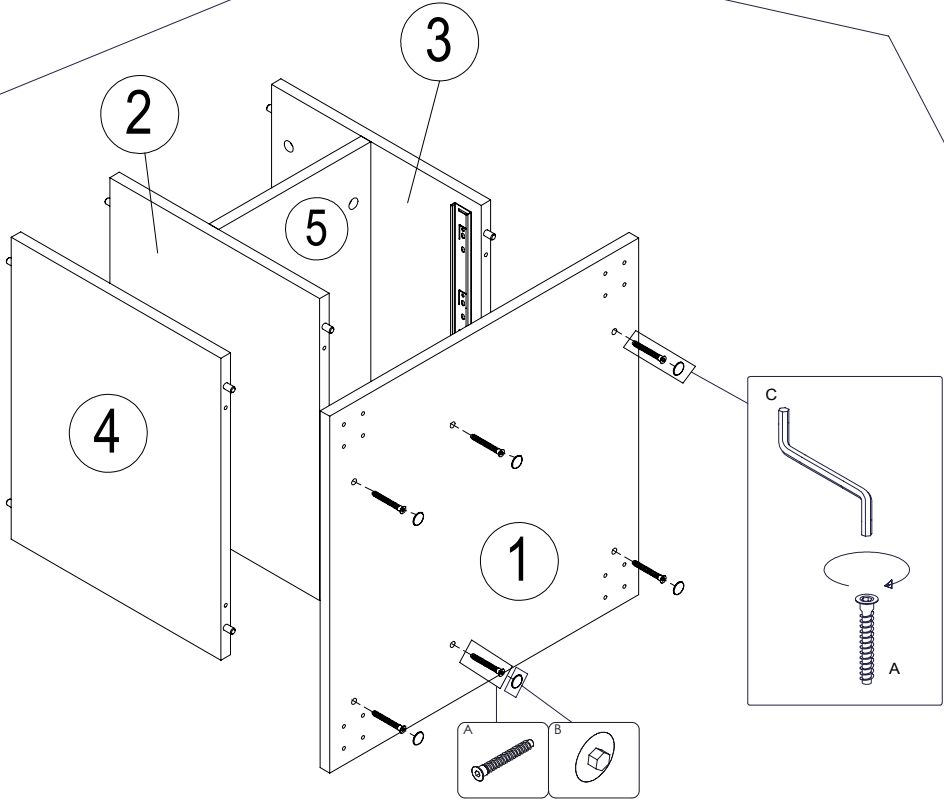
8



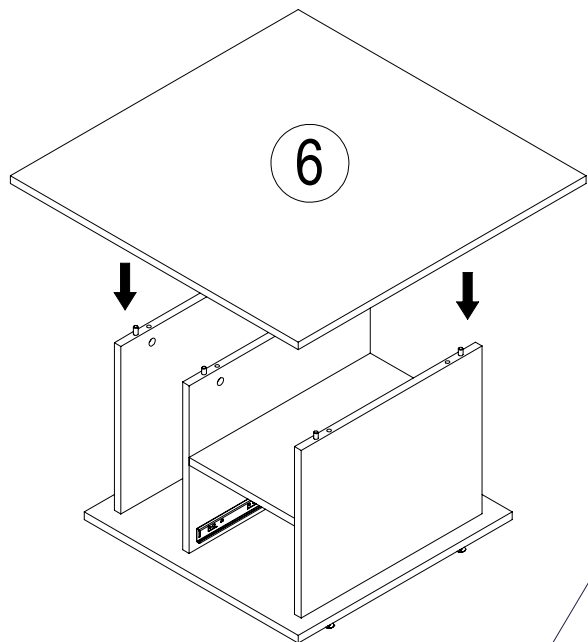
10



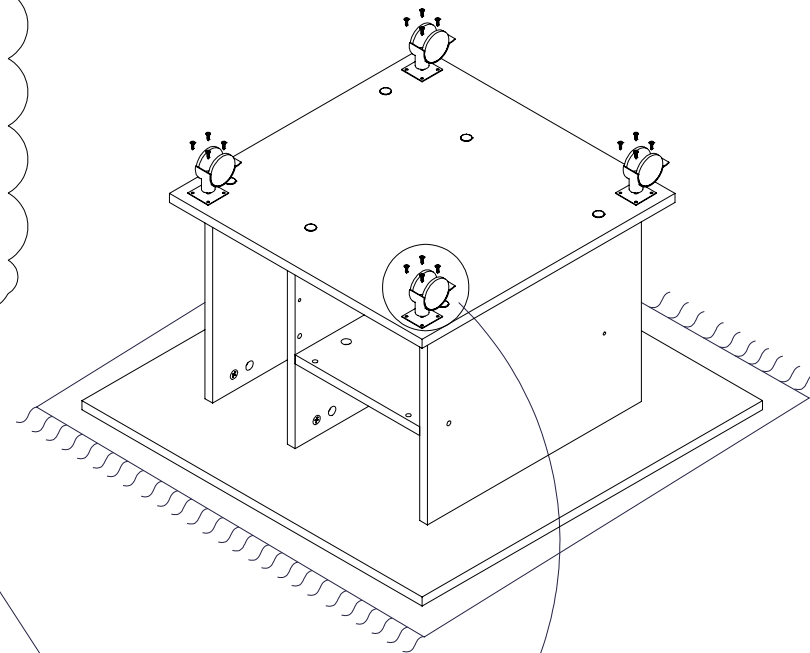
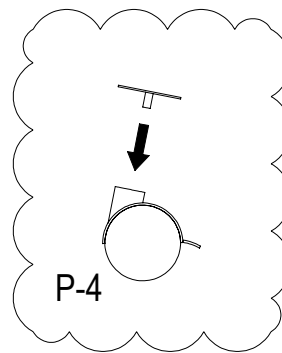
9



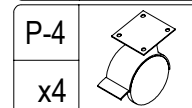
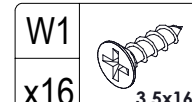
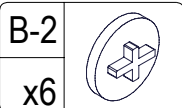
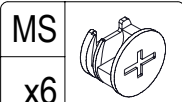
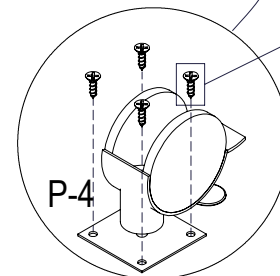
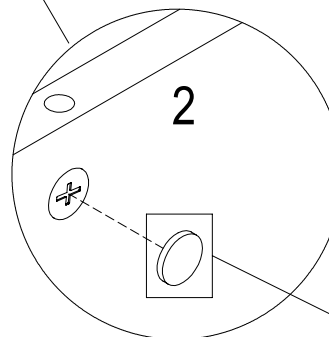
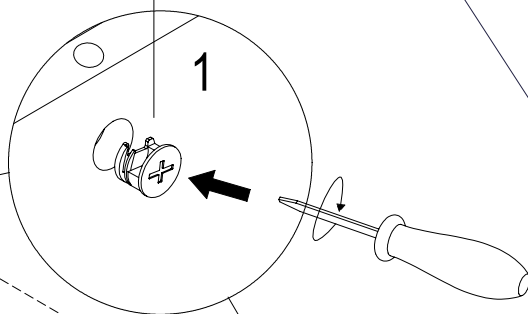
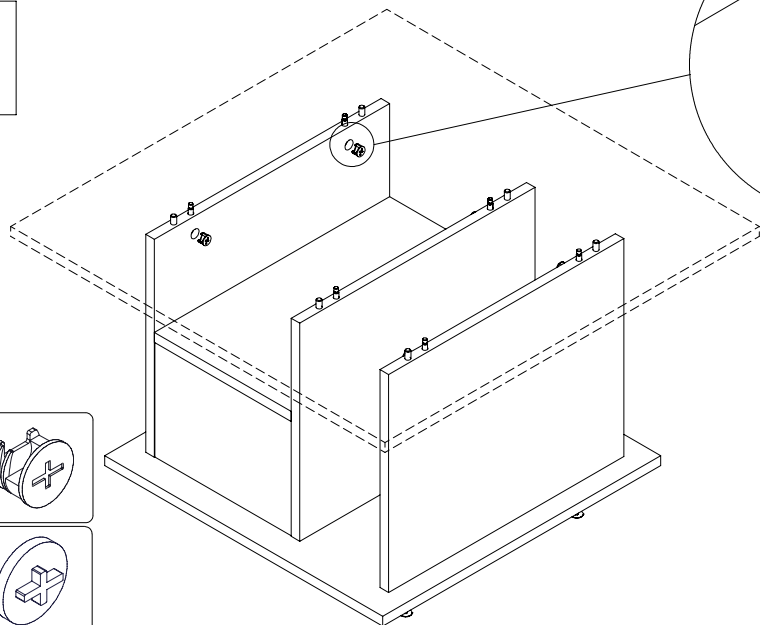
11



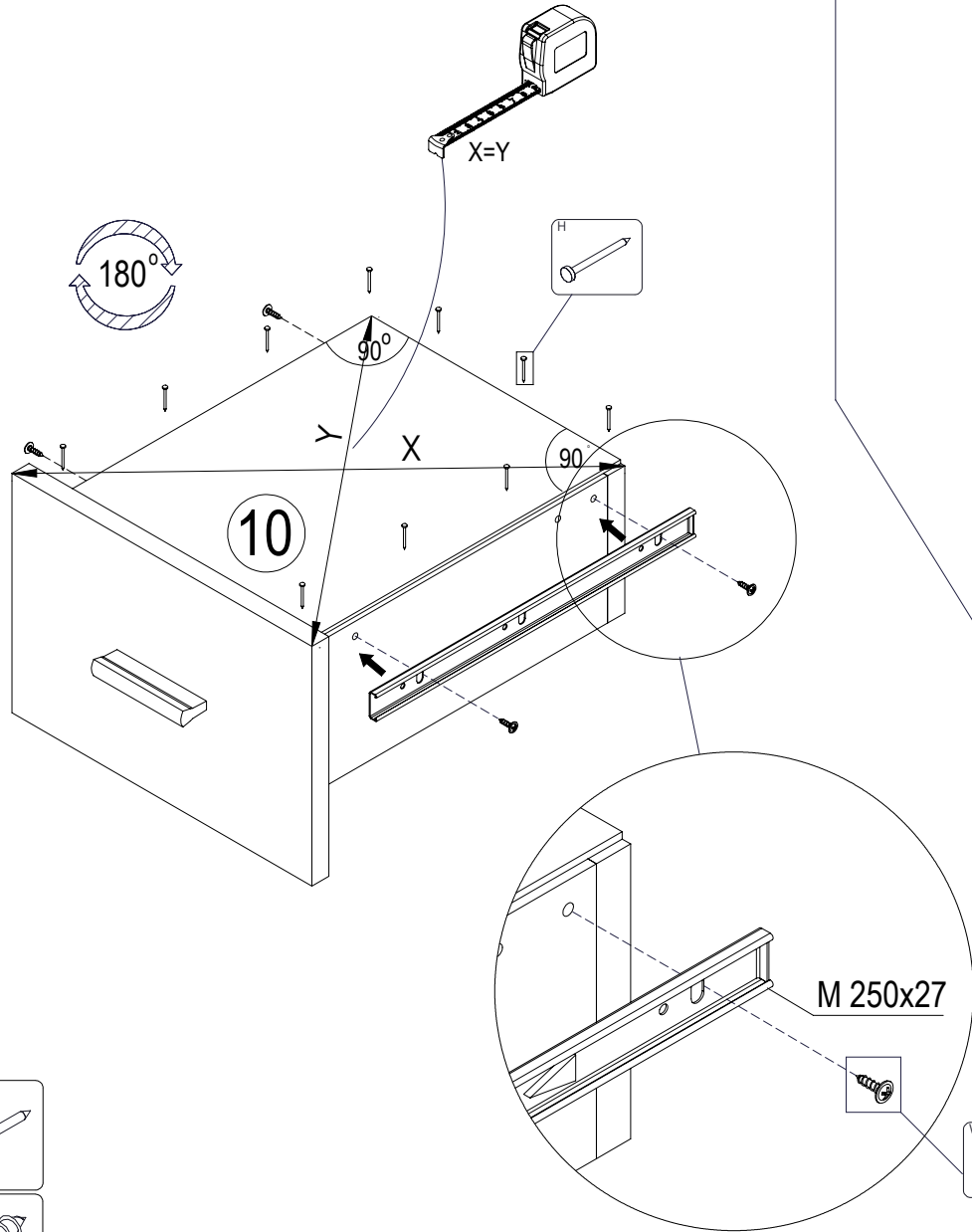
13



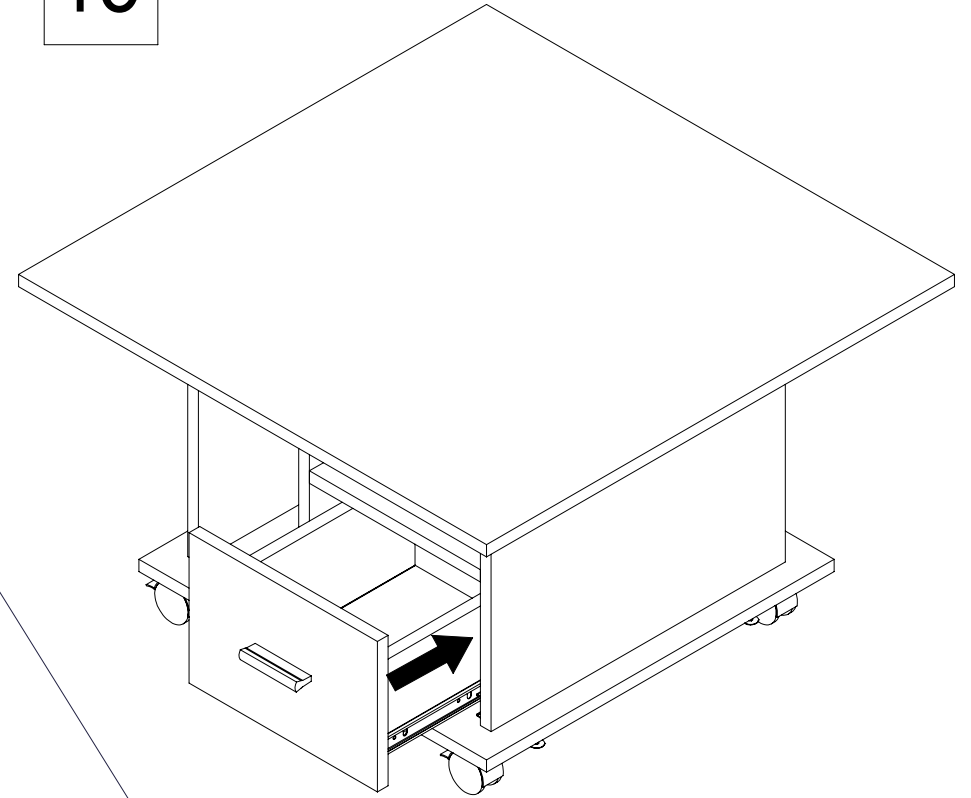
12



14



15



H	
x12	
W1	
x4	3.5x16