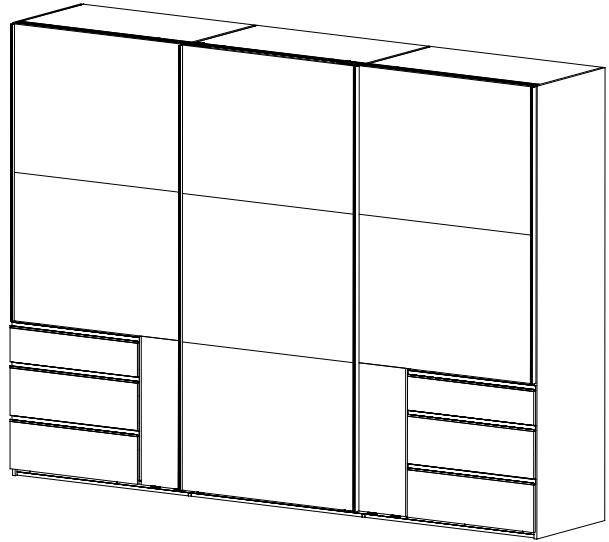
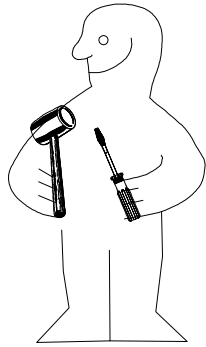
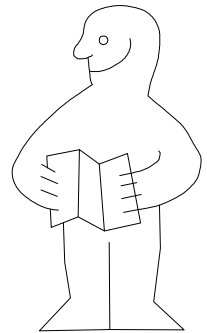
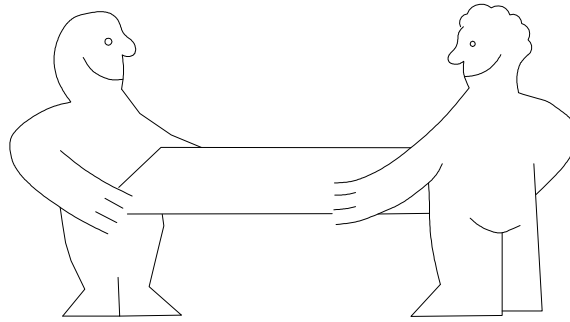
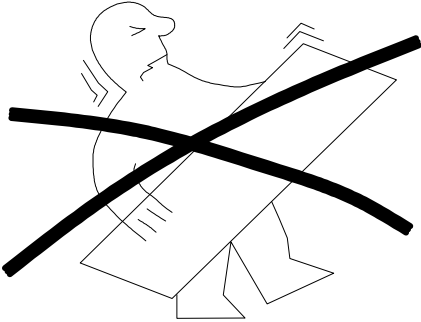




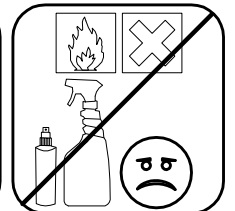
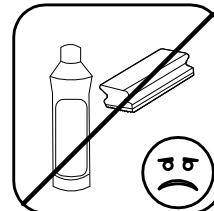
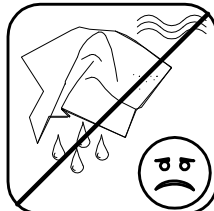
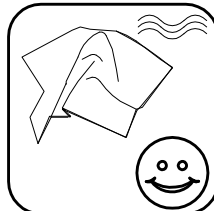
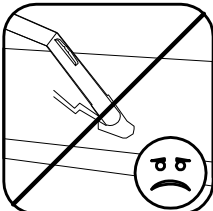
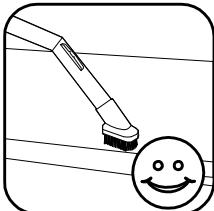
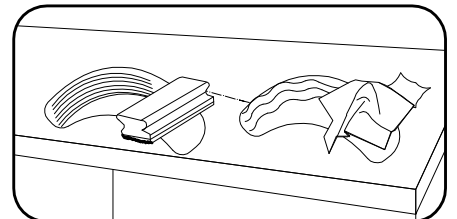
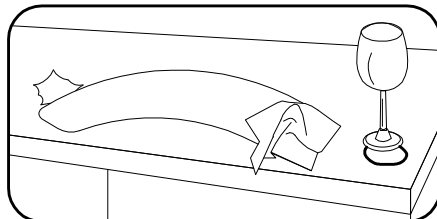
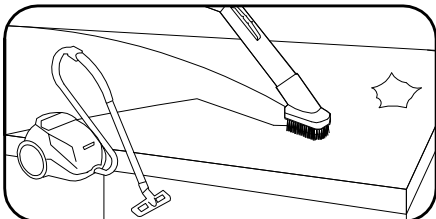
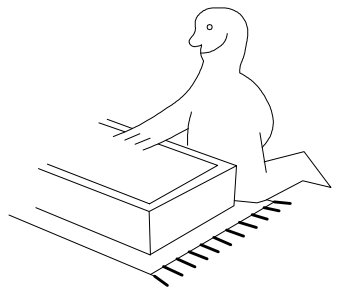
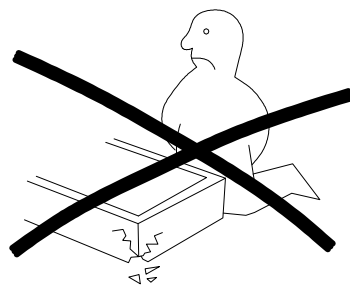
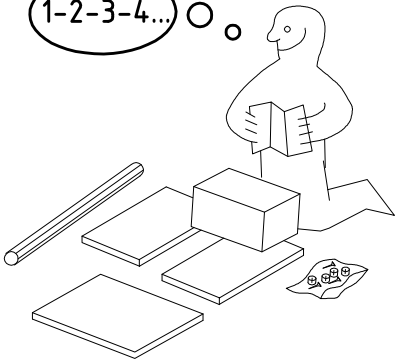
980712




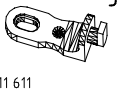
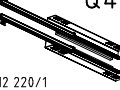
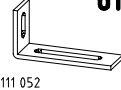
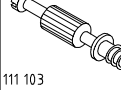





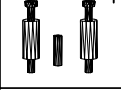
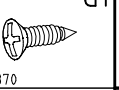
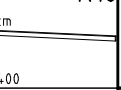

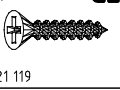
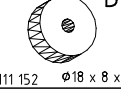
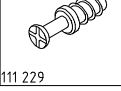

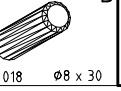

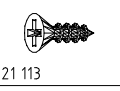
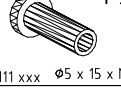


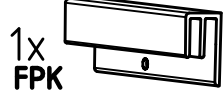
HSP 300 3trg ASK



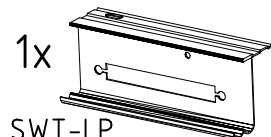
1-2-3-4... ○



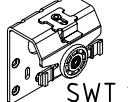

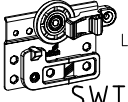
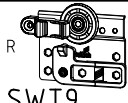
 A1 111 149	24x	 S0 111 300	15x	 K2 117 002	6x	 J2 111 611	9x	 Q45 112 220/1	6x	 o10 111 052	1x
 C 111 103	8x	 V12 111 xxx φ12	15x	 SBV 117 002	36x	 T1 112 055	30x	 T3 M6 x 10	12x	 SP13 121 122	4x
 F3 111 229	8x	 G1 121 370	42x	 K10 100cm	3x	 L8 111 607	20x	 G25 3,5 x 40 mm	14x	 D8 111 152	12x
 F 111 229	8x	 VB23 111 252	8x	 D 353 018	4x	 Z 163 007	4x	 G21 3 x 13 mm	24x	 F5 111 xxx	12x

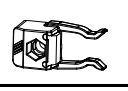
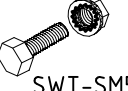
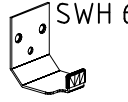
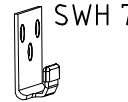
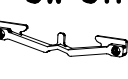





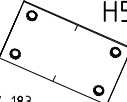
1x FPK
1453/1940/2430/2920/3408

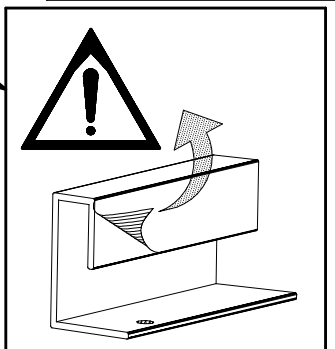
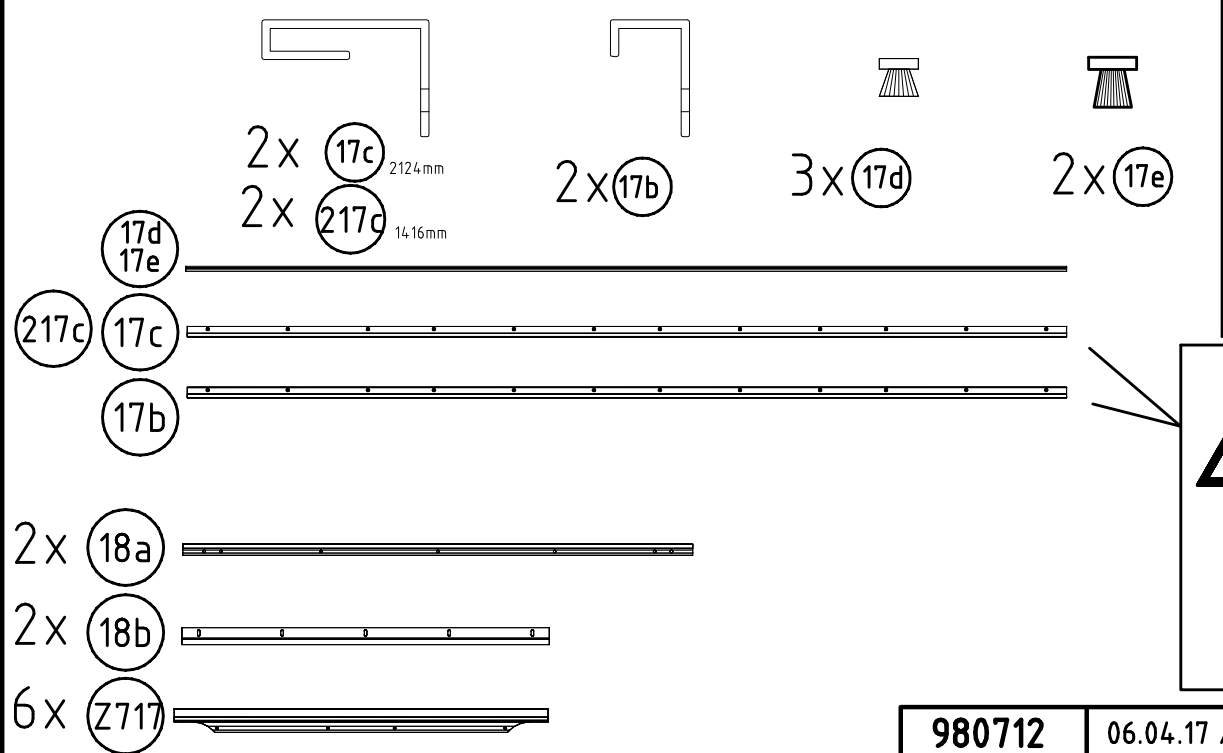
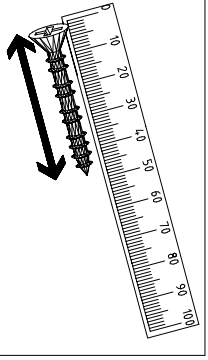
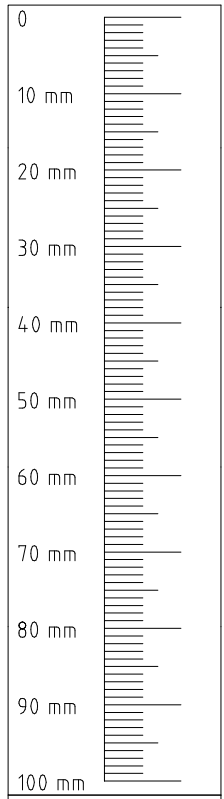
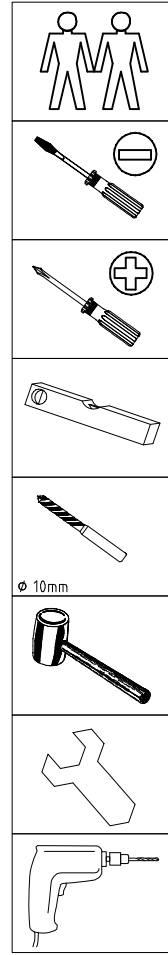


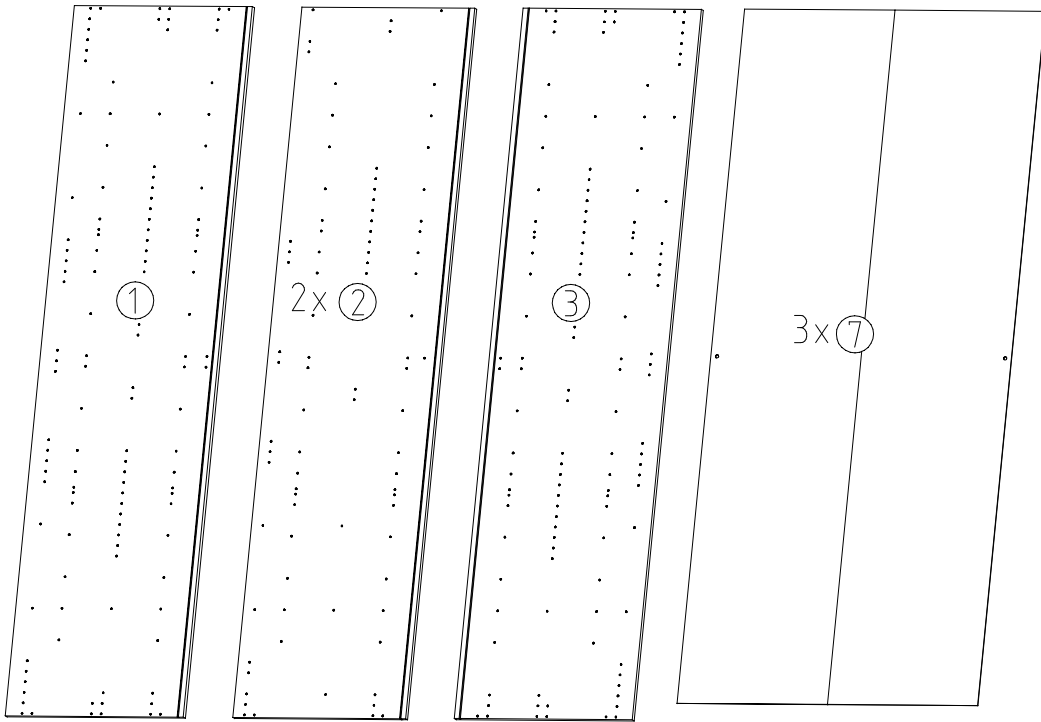
1x SWT-LP
1453/1940/2430/29203trg
/3410 SY

 SWT 1	2x
 SWT 2	2x
 SWT 8	1x
 SWT 9	1x

 SWT-ST	2x
 SWT-SM5	2x
M4 x 13 mm GH13	6x
121 xxx	6x
M4 x 10 mm G43	6x
121 xxx	6x
 SWH 6	2x
 SWH 7	4x
3,5 x 15 mm G1	2x
121 370	2x
 SW-STM	1x

 SWH-SKL	1x
 SWH-SKR	1x
3,5 x 22 mm G24	10x
121 004	10x
3,5 x 35 mm G14	4x
121 375	4x
 SP13	112x
4 X 13mm	112x
121 122	112x
6,3 x 10,5 mm T2	34x
111 030	34x
 H5	8x
114 183	8x



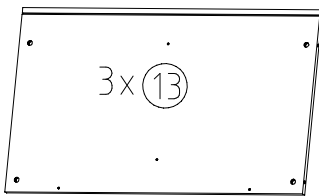


2160x577x15

2160x560x15

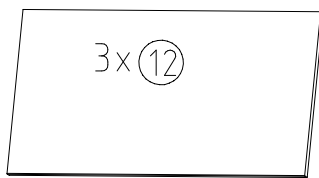
2160x577x15

2111x973x2,5



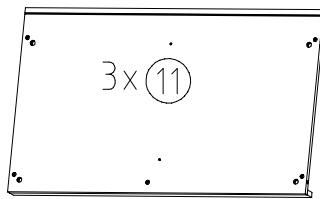
3x 13

964x560x15



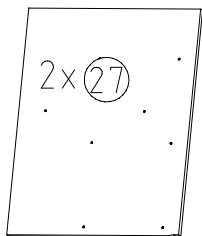
3x 12

964x500x18



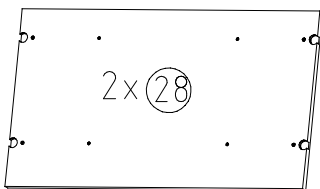
3x 11

964x560x47



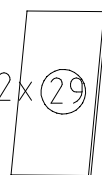
2x 27

689x557x15



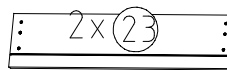
2x 28

964x540x22



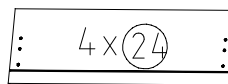
2x 29

250x500x18



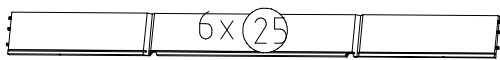
2x 23

717x163x15



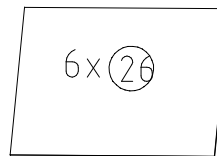
4x 24

717x227x15



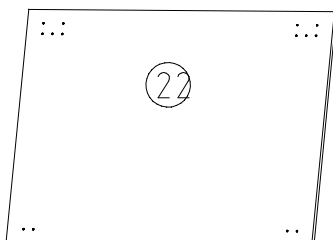
6x 25

450/675/450x126x12



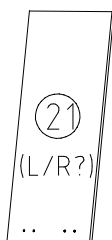
6x 26

661x449x2,5



22

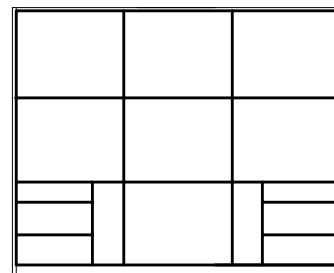
7x 990x708x15



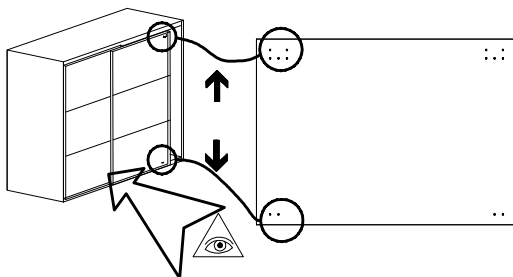
21

(L/R?)

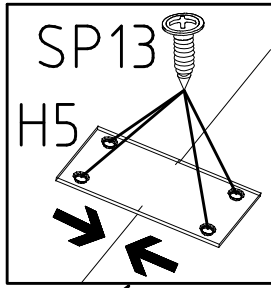
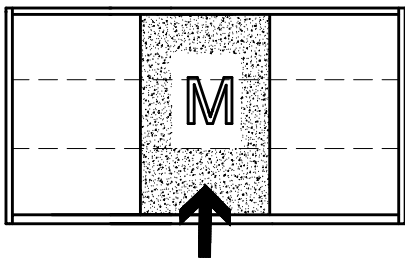
2x 268x708x15



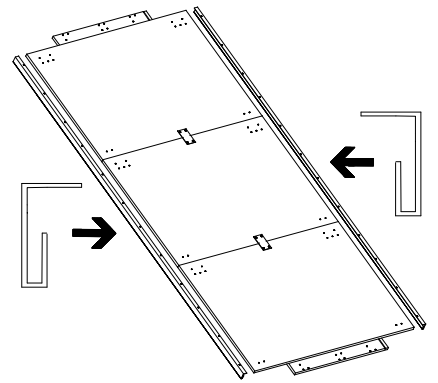
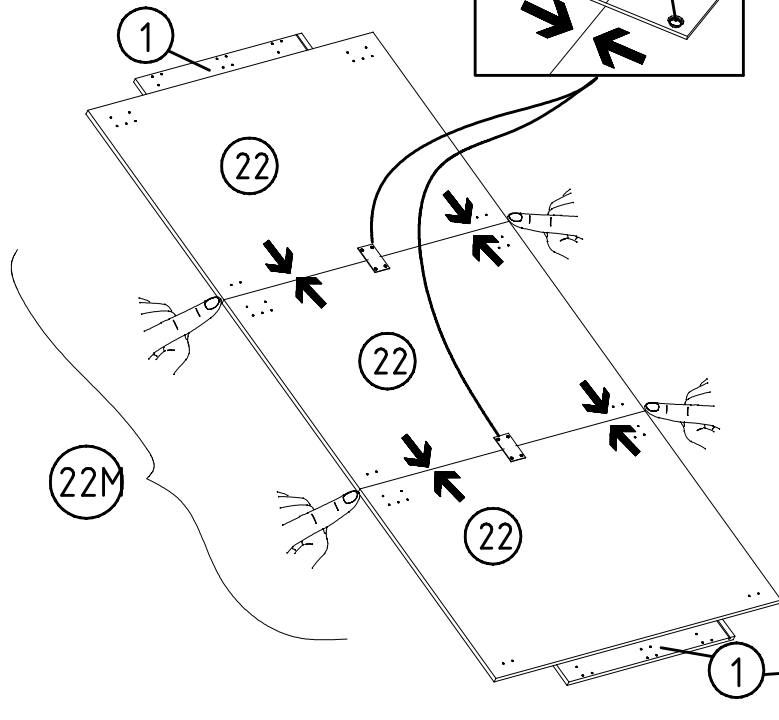
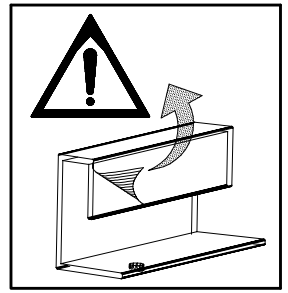
L M R



1



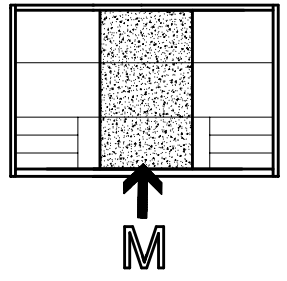
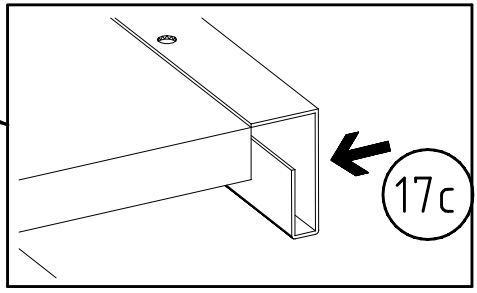
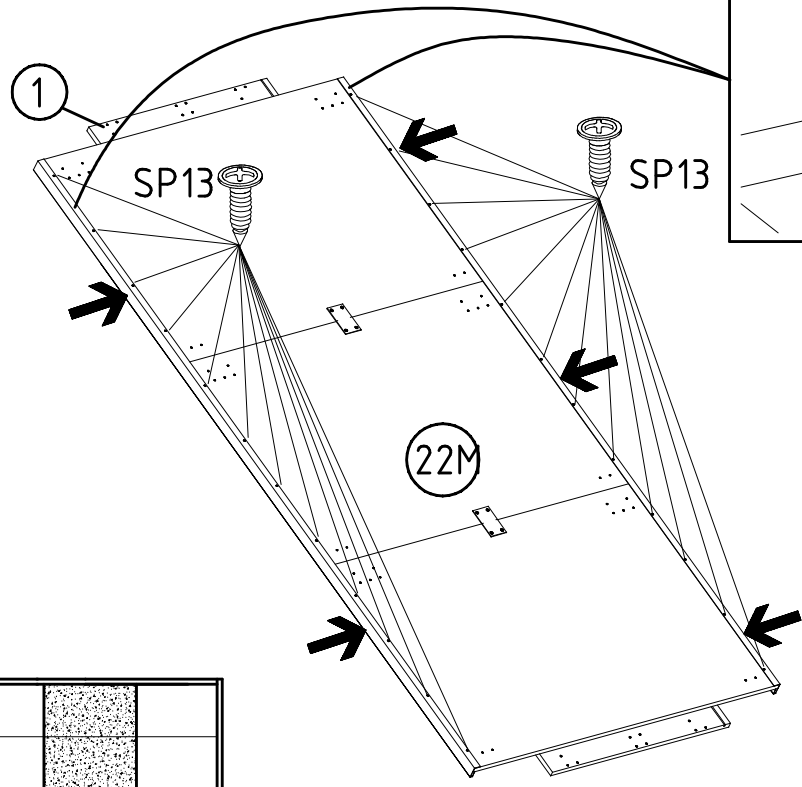
H5
4 X 13mm
SP13
114 183
121 122



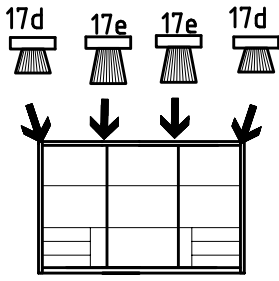
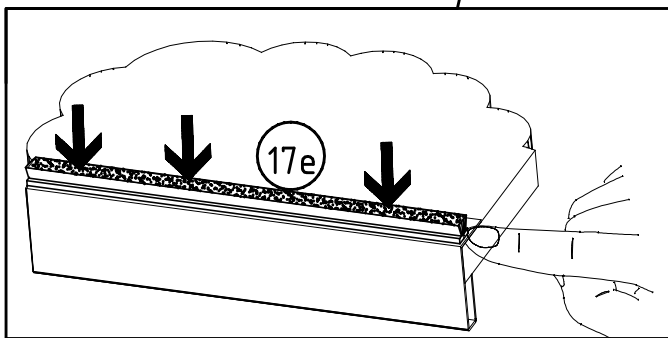
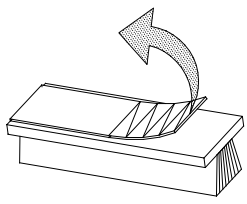
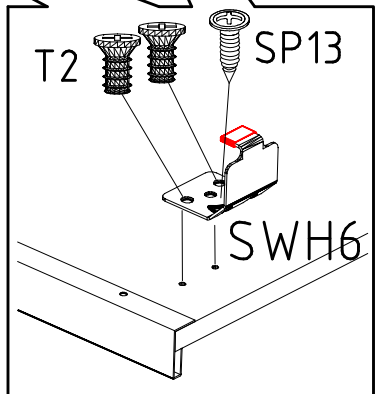
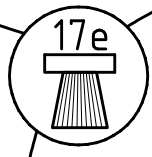
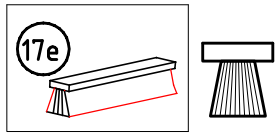
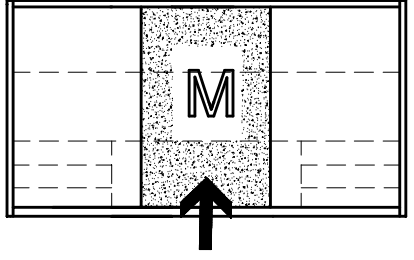
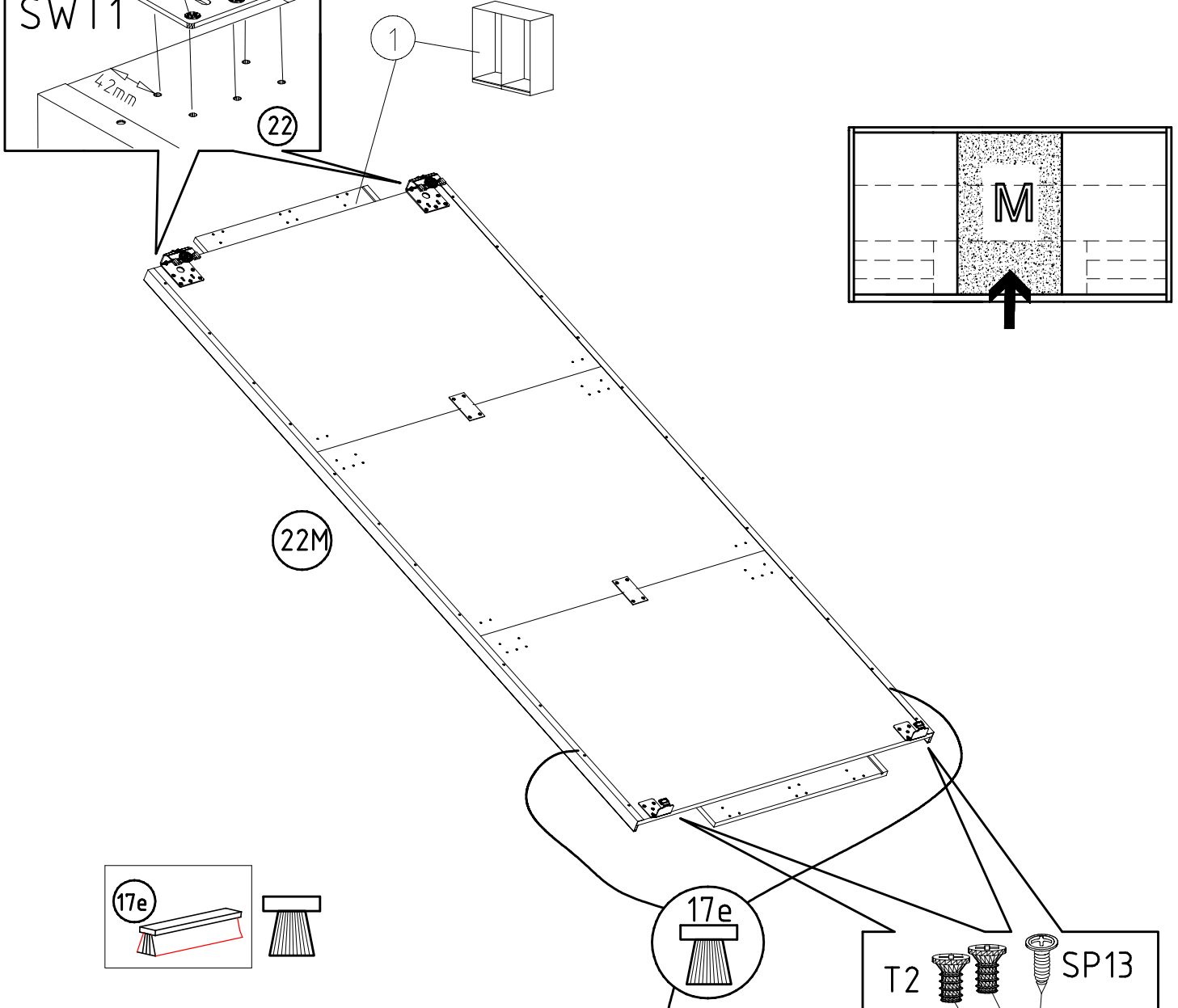
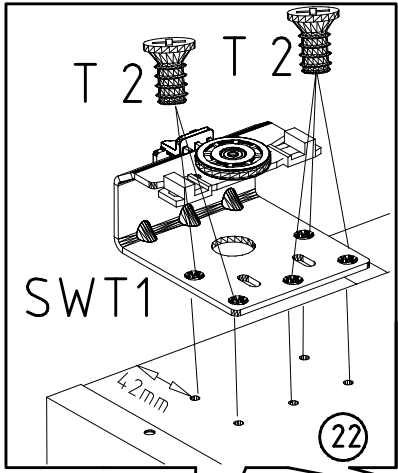
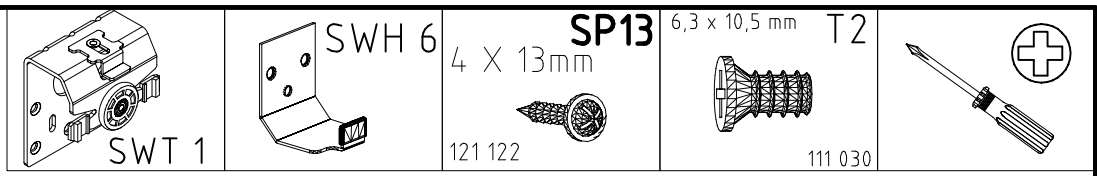
2x 17c

2

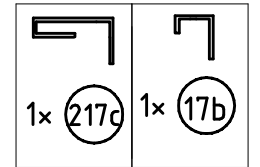
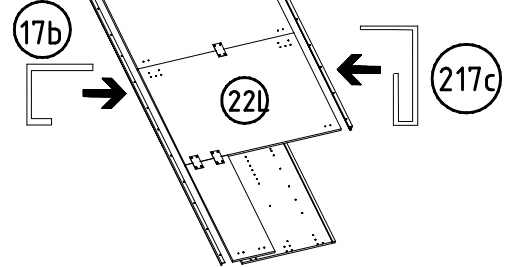
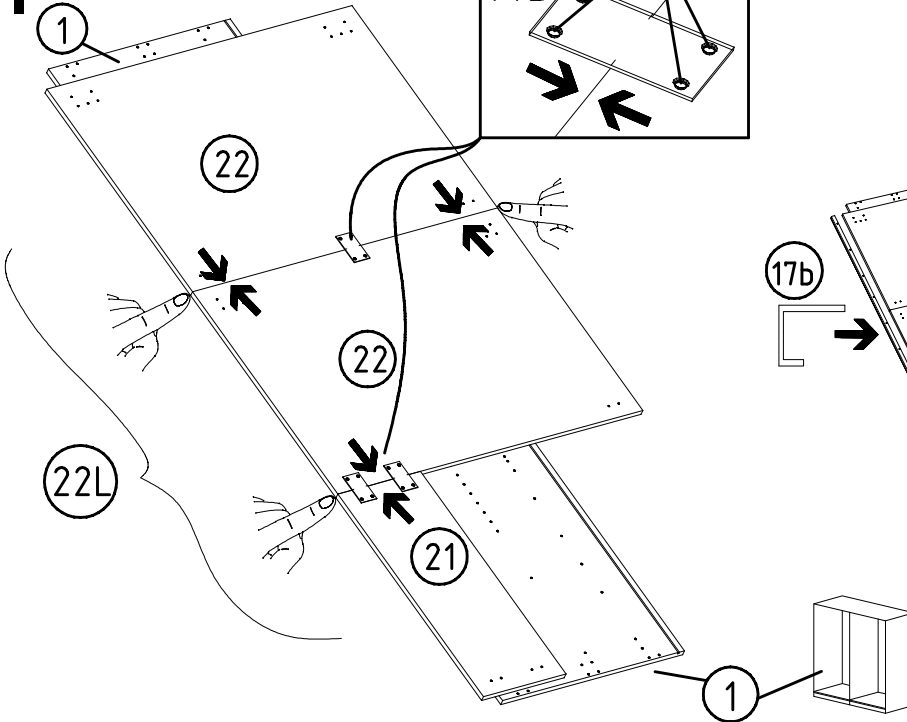
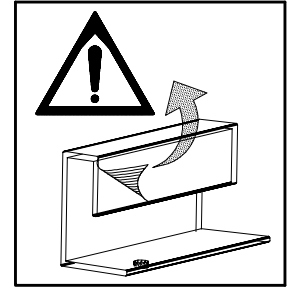
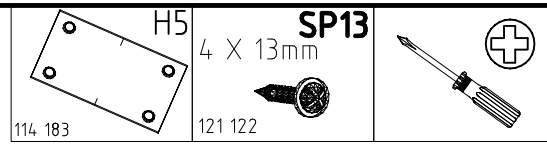
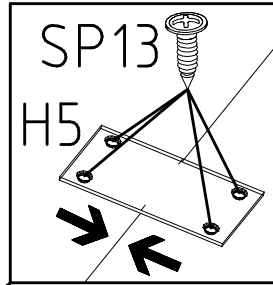
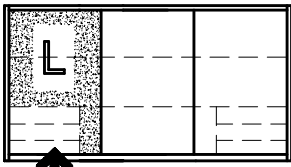
SP13
4 X 13mm
121 122



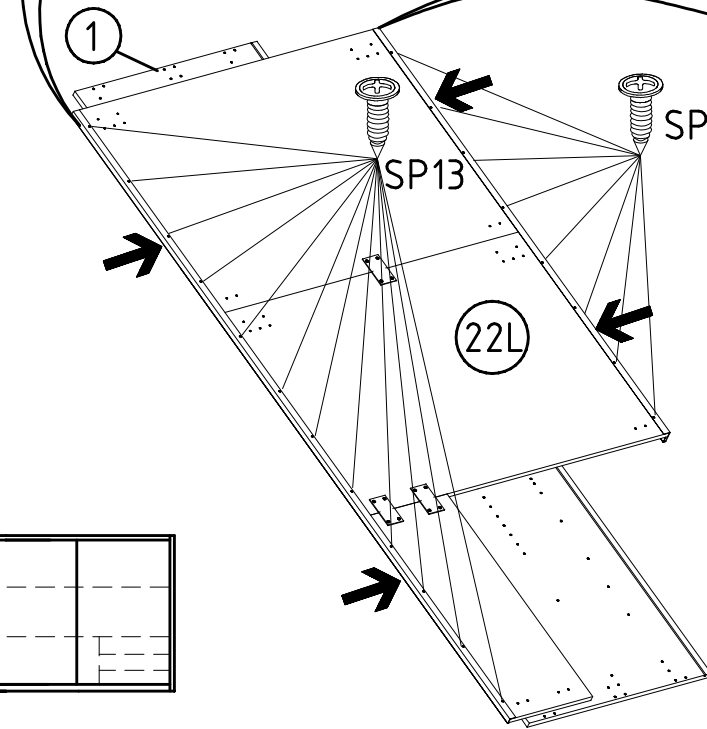
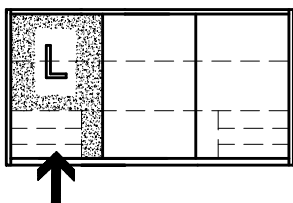
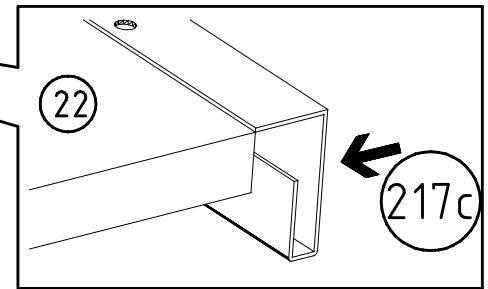
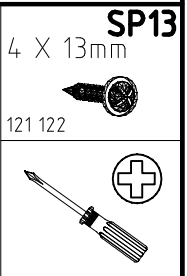
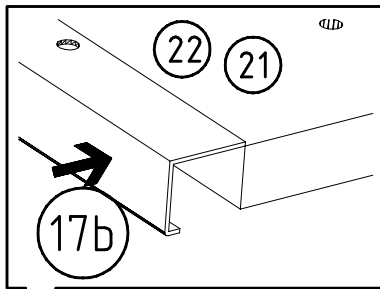
3



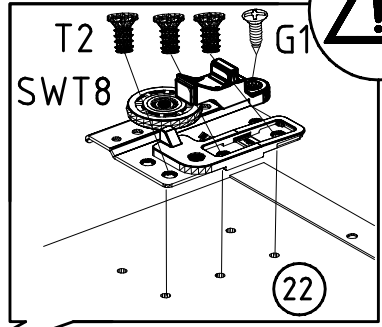
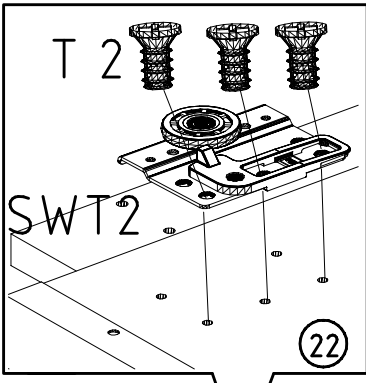
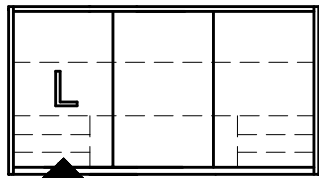
4



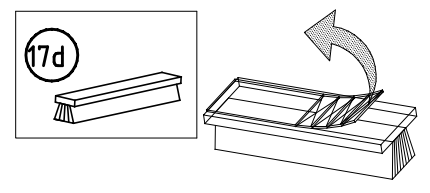
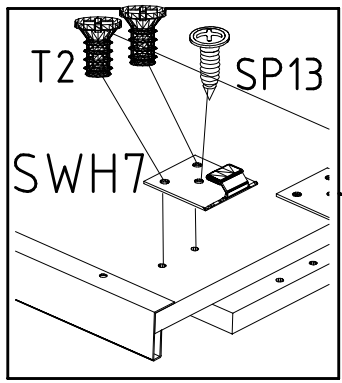
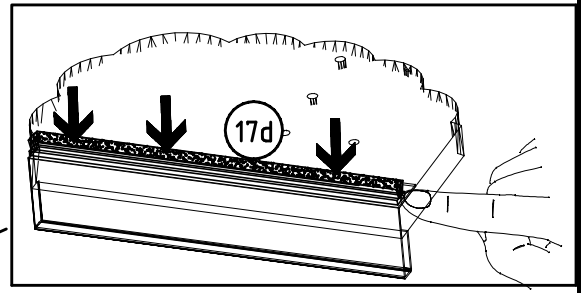
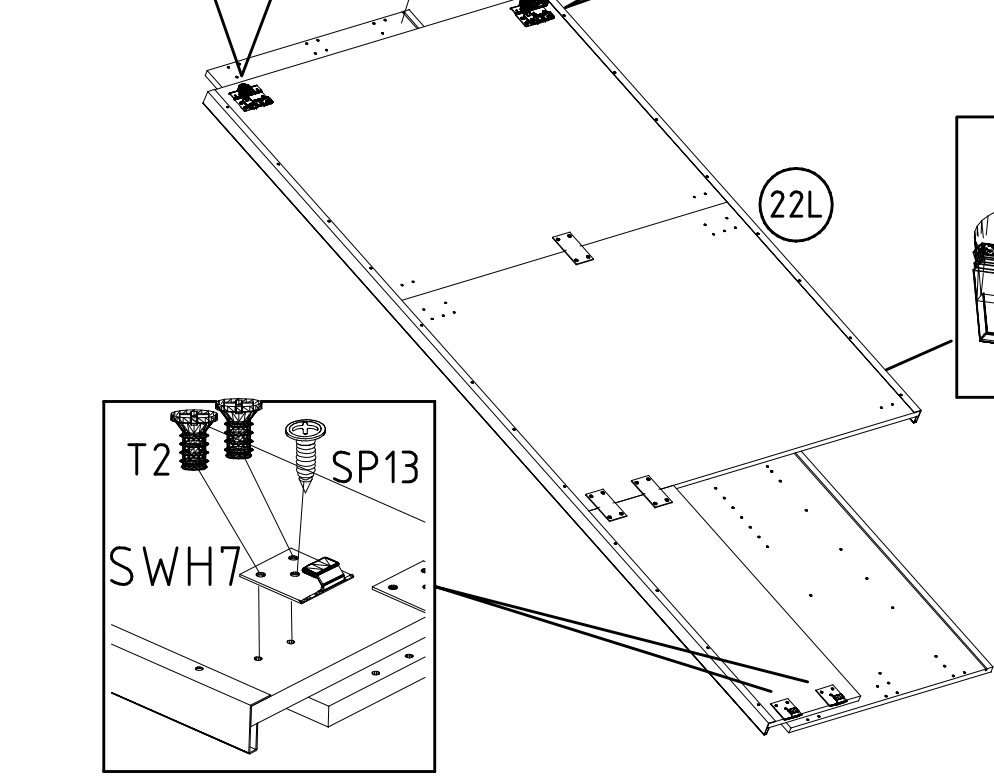
5



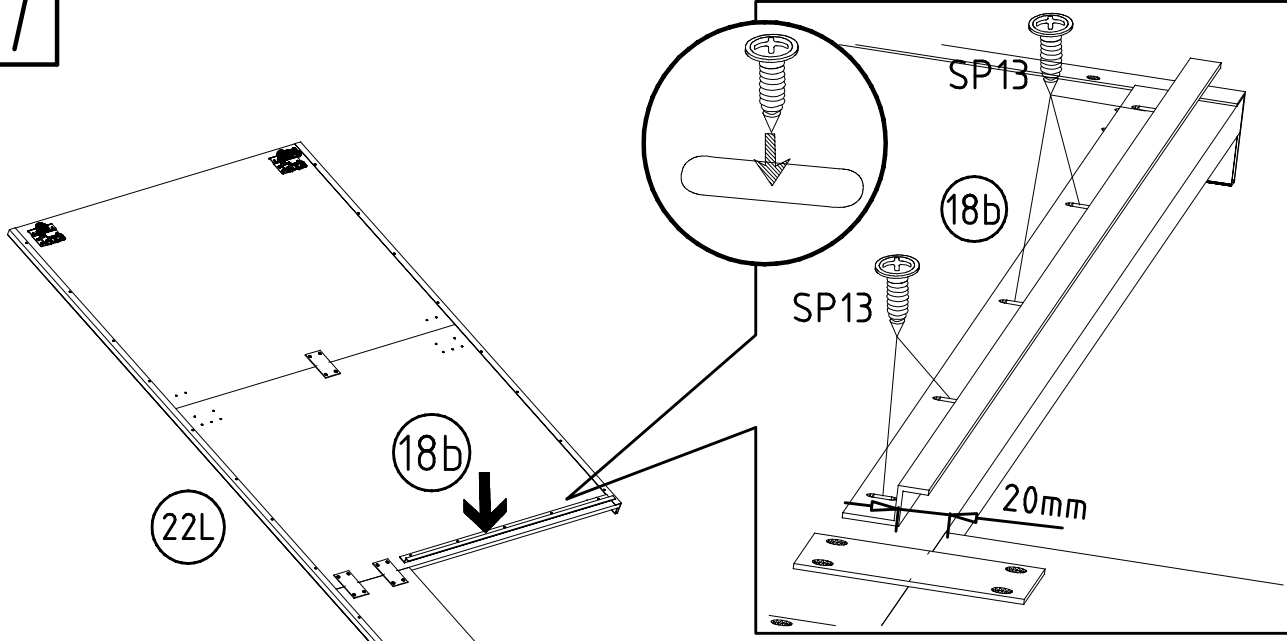
6



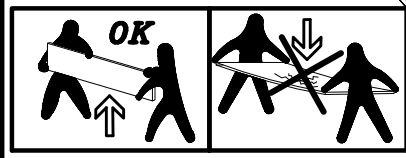
<p>SWT2</p>	<p>SWT8</p>
<p>6,3 x 10,5 mm T2</p> <p>111 030</p>	<p>SWH7</p>
<p>3,5 x 15 mm G1</p> <p>121 370</p>	<p>4 X 13mm SP13</p> <p>121 122</p>



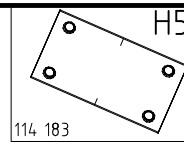
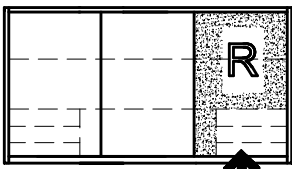
7



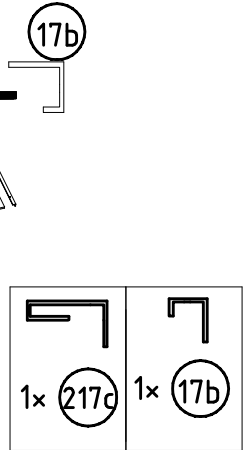
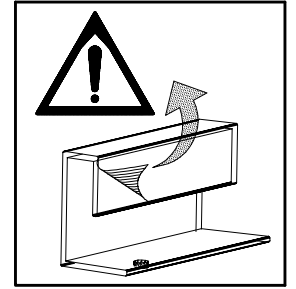
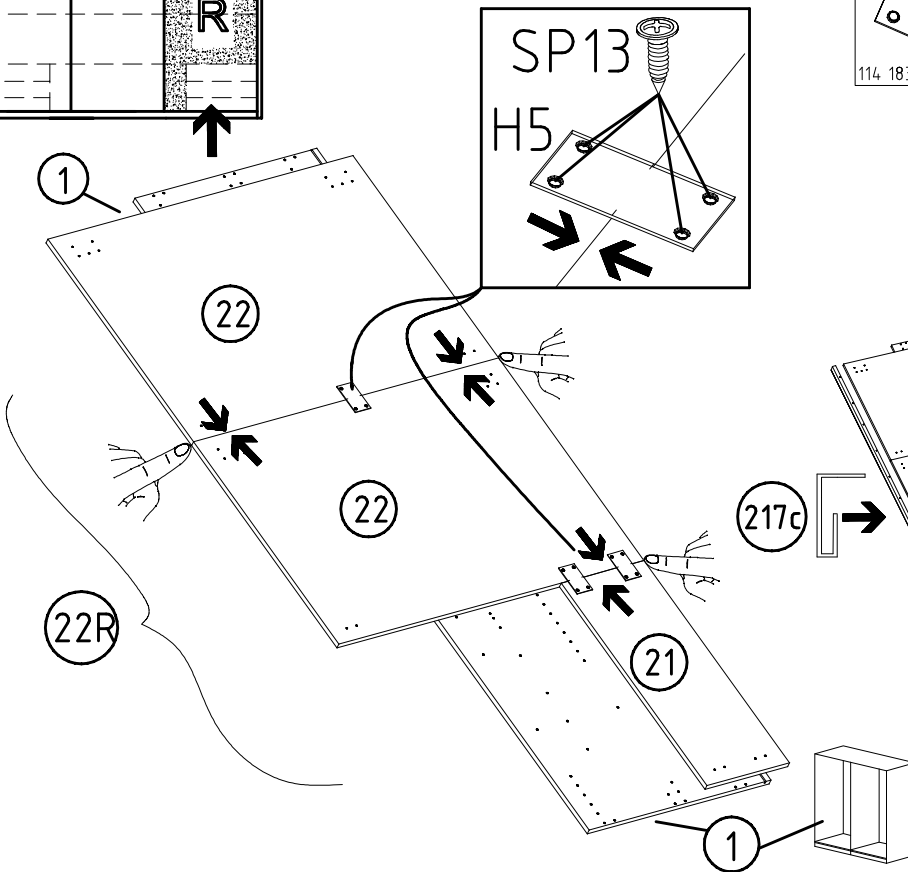
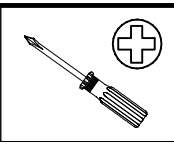
<p>4 X 13mm SP13</p> <p>121 122</p>



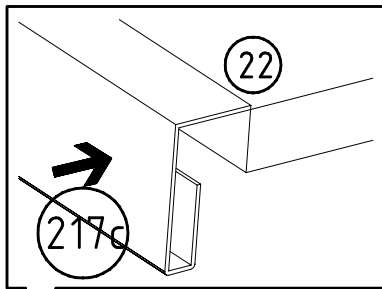
8



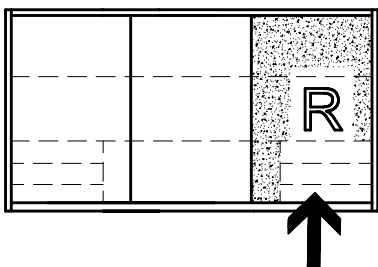
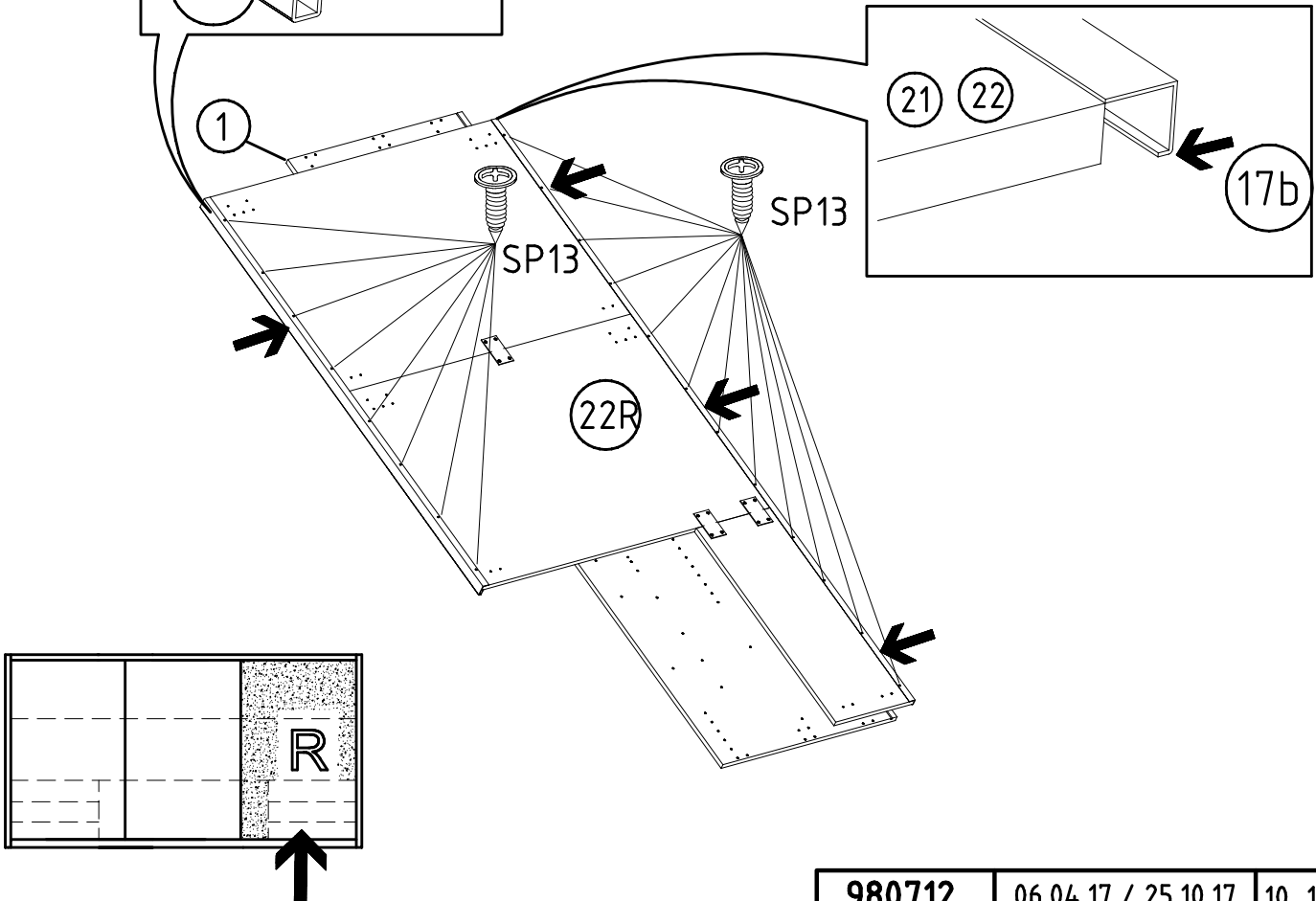
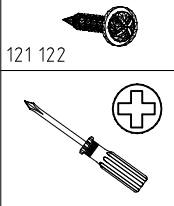
4 X 13mm
SP13
121 122



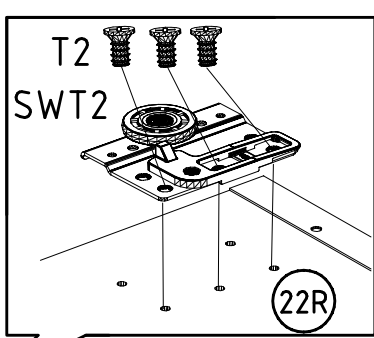
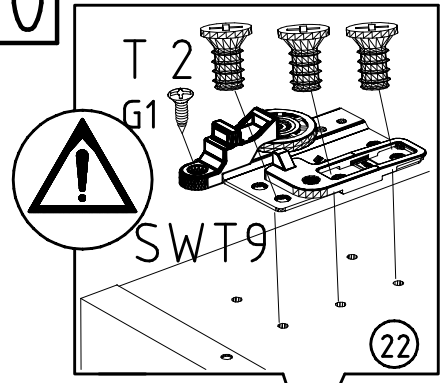
9



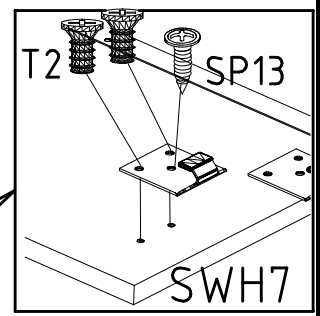
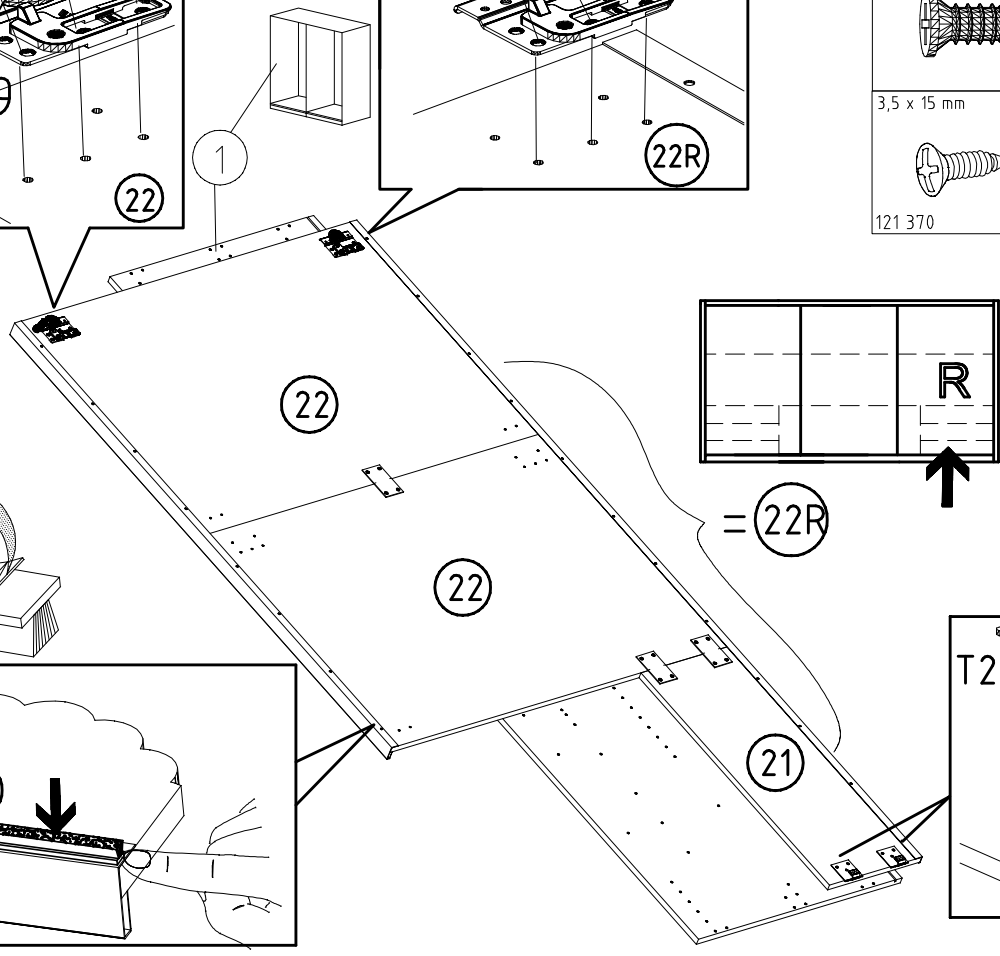
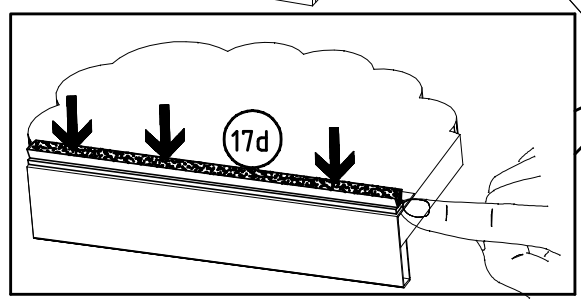
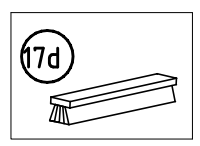
4 X 13mm
SP13
121 122



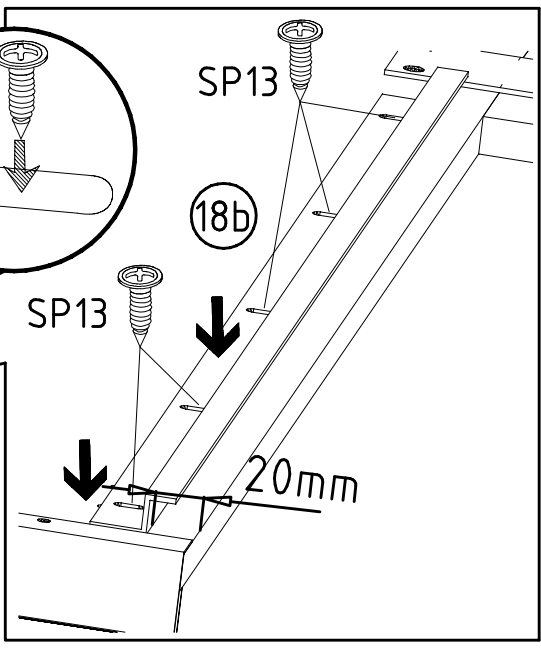
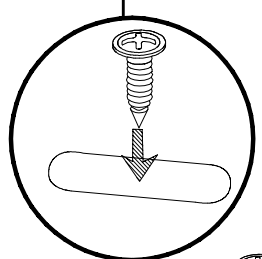
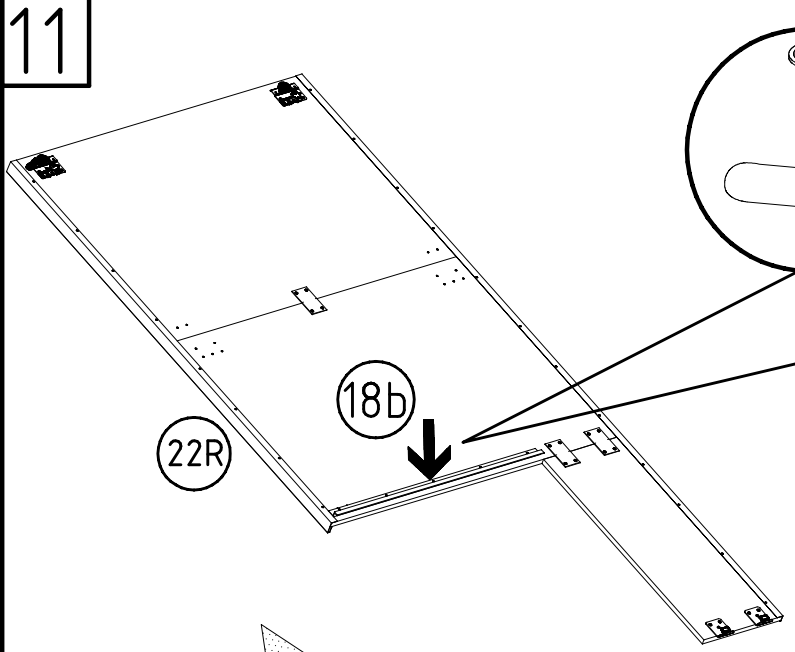
10



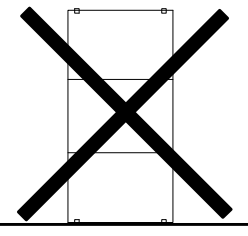
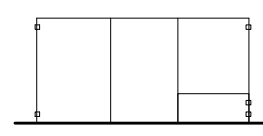
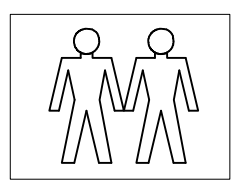
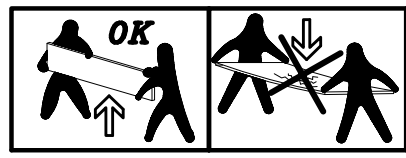
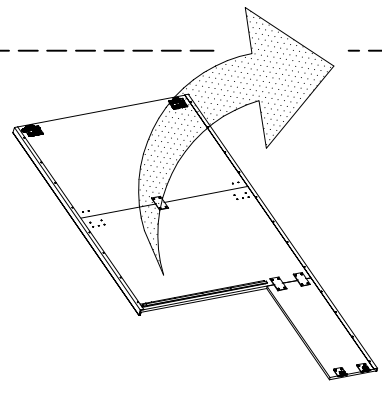
SWT2	SWT9
6,3 x 10,5 mm	T 2
111 030	SWH 7
3,5 x 15 mm	G1
	4 X 13mm
121 370	
	121 122



11



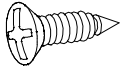
4 X 13mm
121 122



12

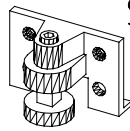
3,5 x 15 mm

G1



121 370

S0



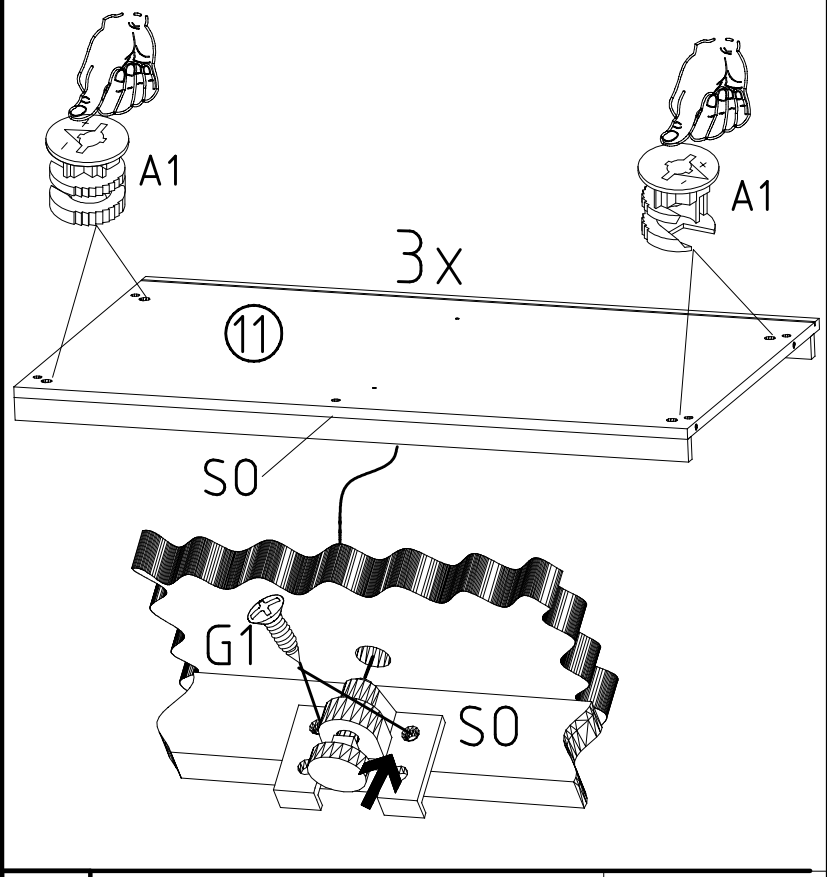
111 300

A1



111 149

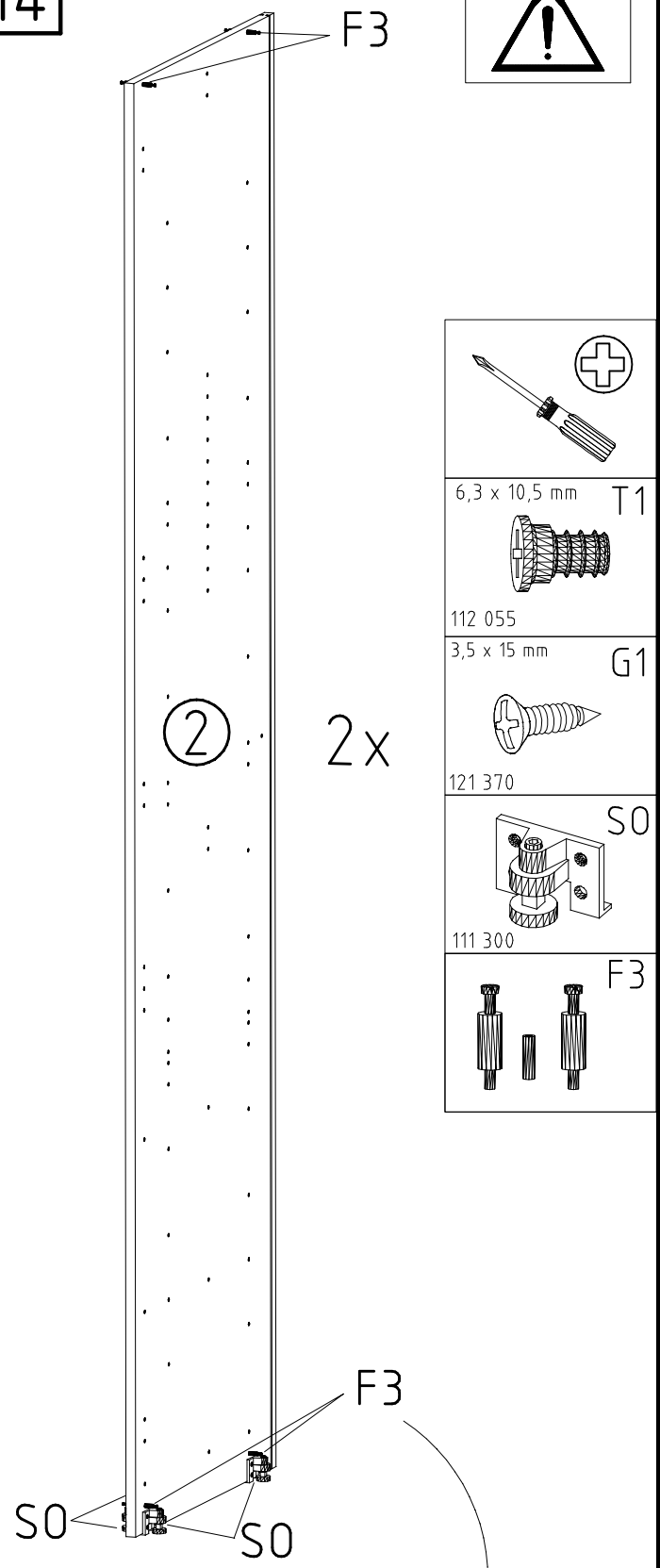
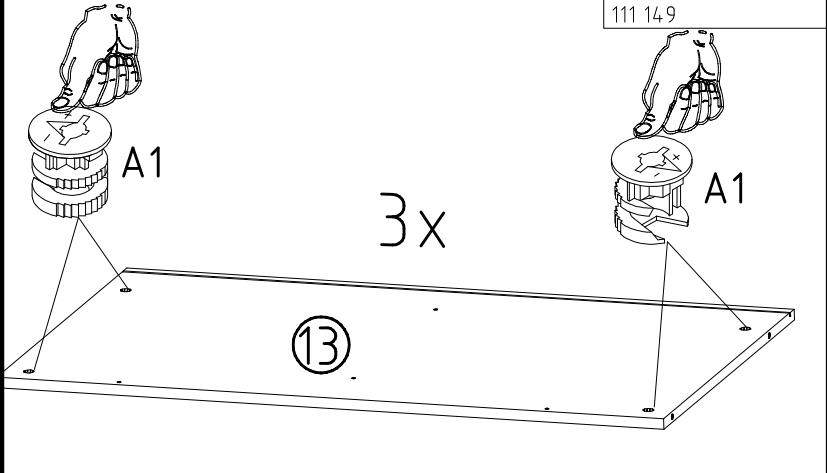
14



13

A1

111 149



6,3 x 10,5 mm T1

112 055

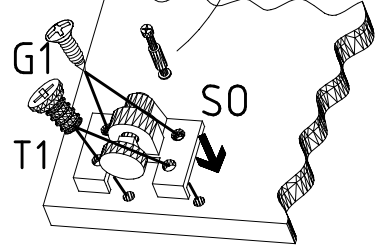
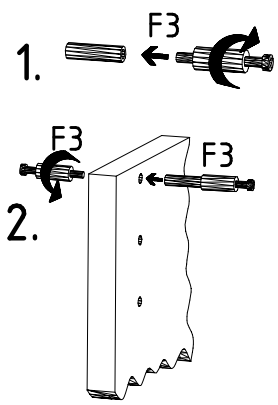
3,5 x 15 mm G1

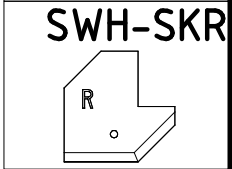
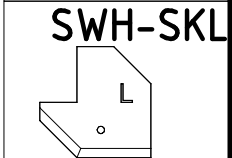
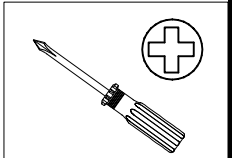
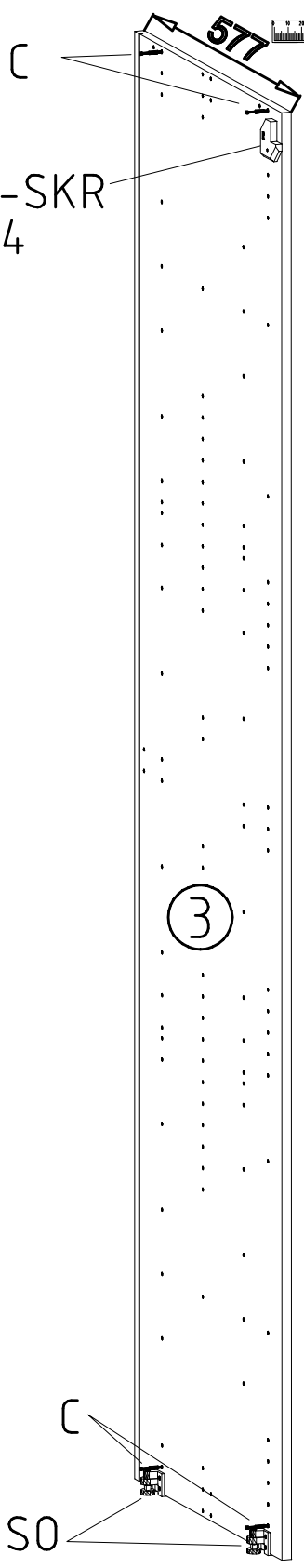
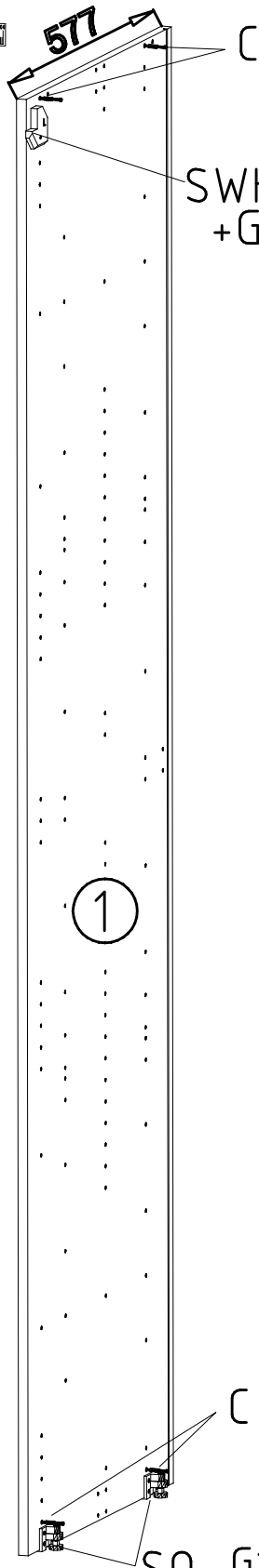
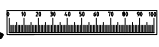
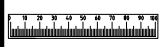
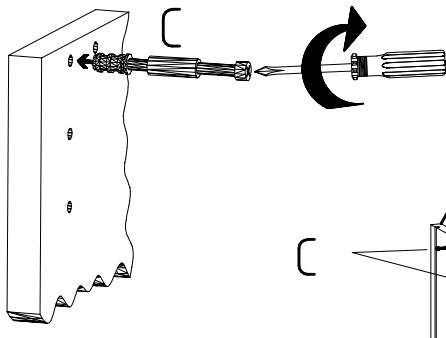
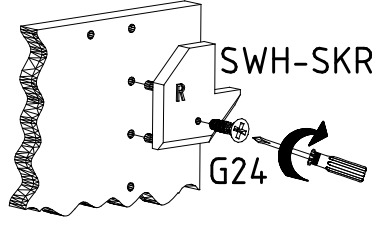
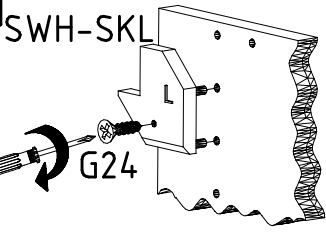
121 370

S0

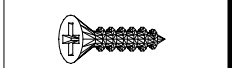
111 300

F3



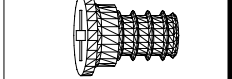


3,5 x 22 mm G24



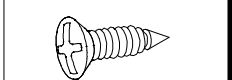
121 004

6,3 x 10,5 mm T1

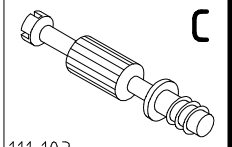


112 055

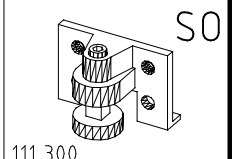
3,5 x 15 mm G1



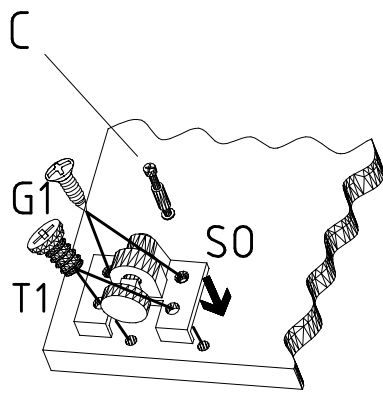
121 370



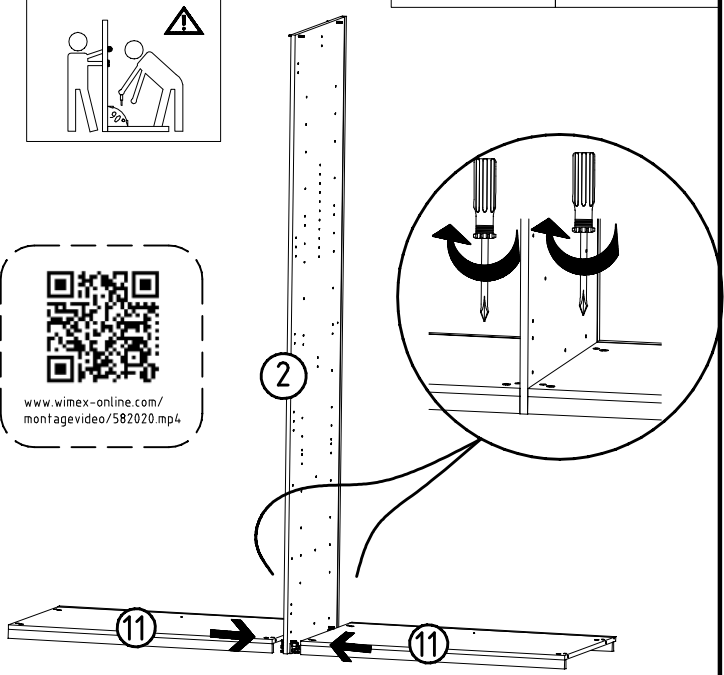
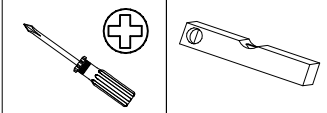
111 103



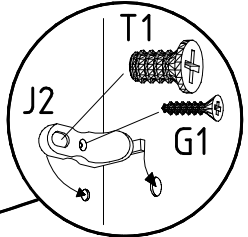
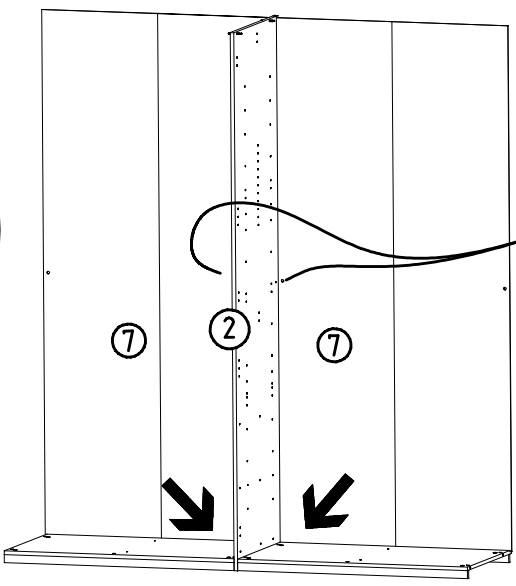
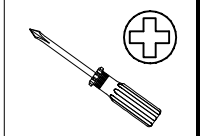
111 300



16



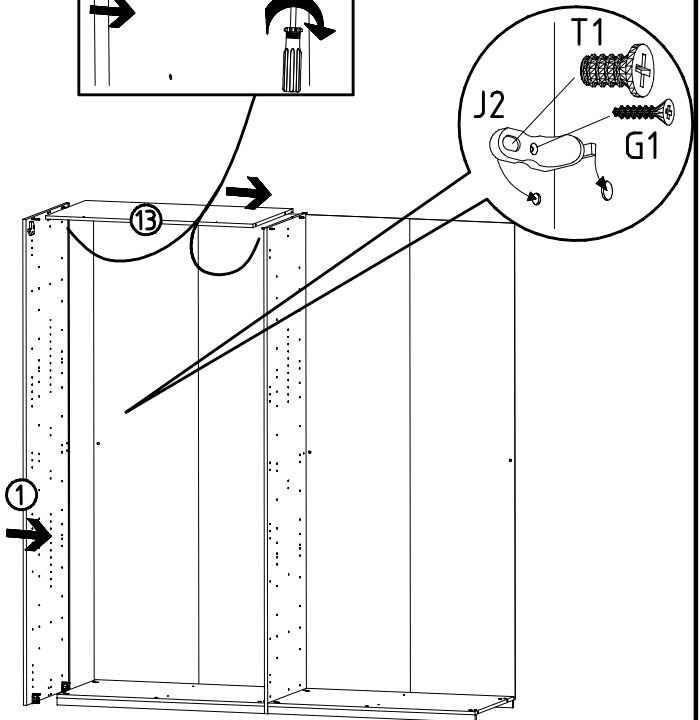
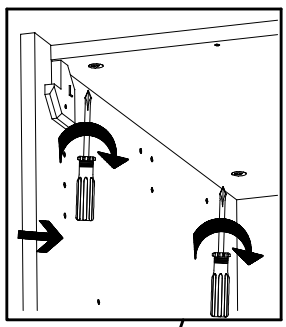
17



- 3,5 x 15 mm G1
- 121 370
- 111 611
- 6,3 x 10,5 mm T1
- 112 055

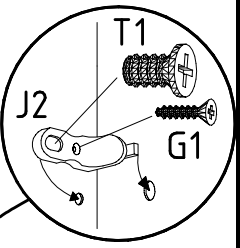
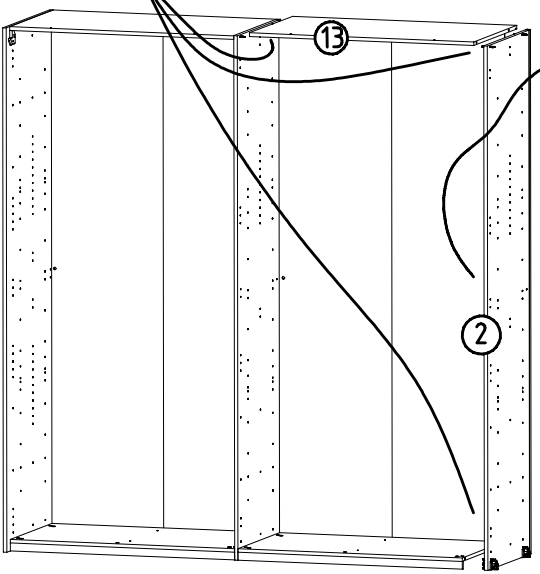
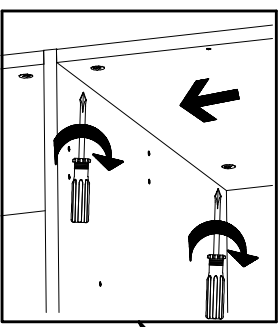
18

- 3,5 x 15 mm G1
- 121 370
- 6,3 x 10,5 mm T1
- 112 055
- 111 611

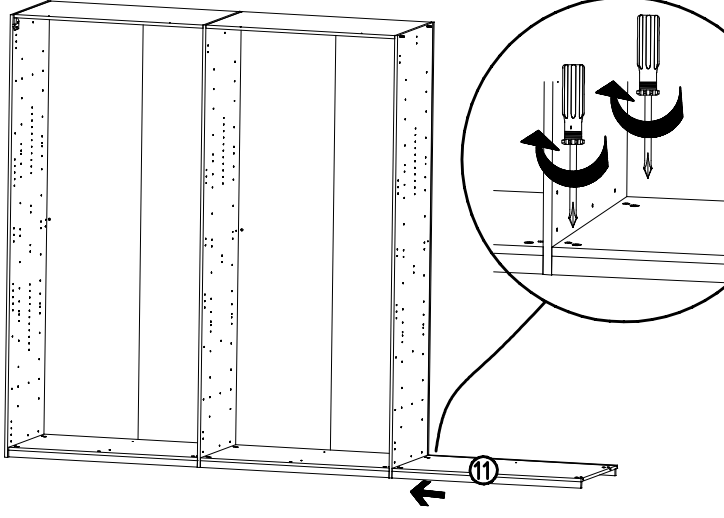
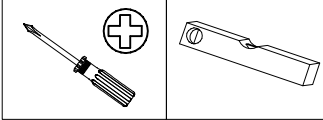


19

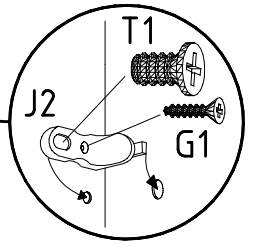
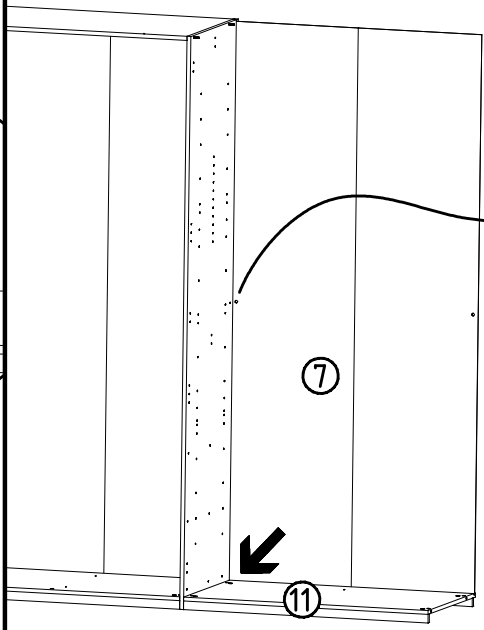
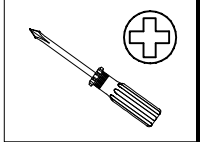
- 3,5 x 15 mm G1
- 121 370
- 6,3 x 10,5 mm T1
- 112 055
- 111 611



20

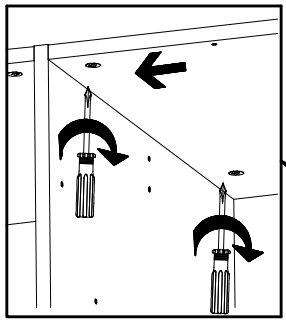


21

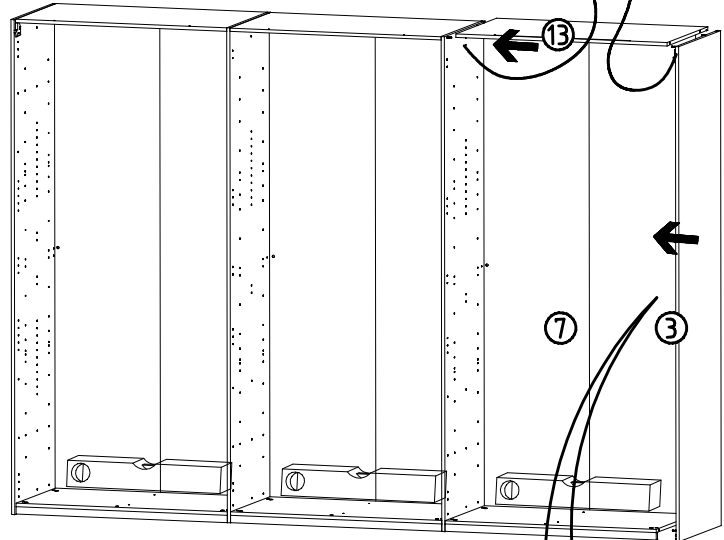


- 3,5 x 15 mm G1
- 121 370 J2
- 111 611 6,3 x 10,5 mm T1
- 112 055

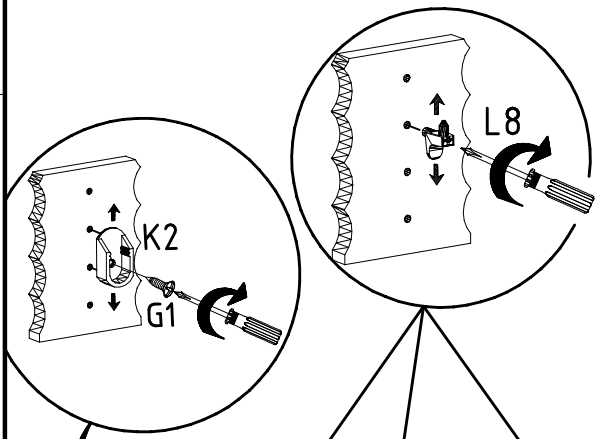
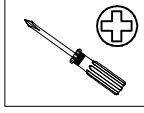
22



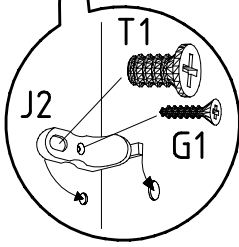
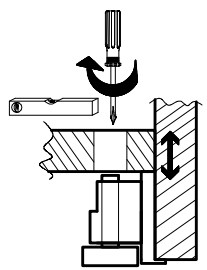
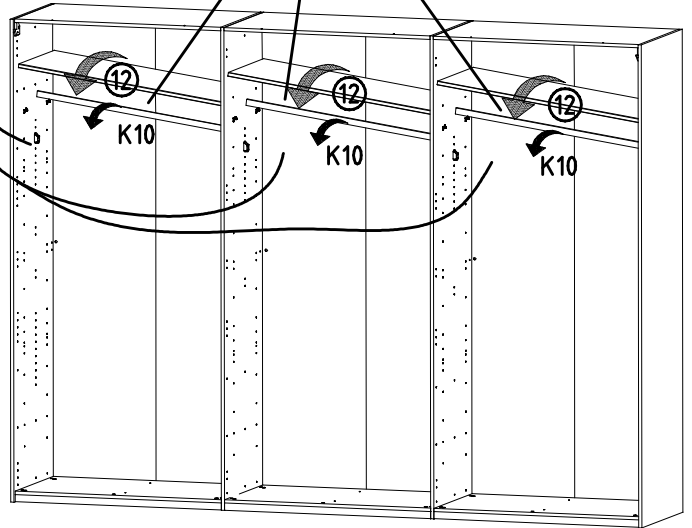
- 3,5 x 15 mm G1
- 121 370 J2
- 111 611 6,3 x 10,5 mm T1
- 112 055



23



- L8
- 111 607
- K2
- 117 002 3,5 x 15 mm G1
- 121 370
- 100cm K10
- 112 400



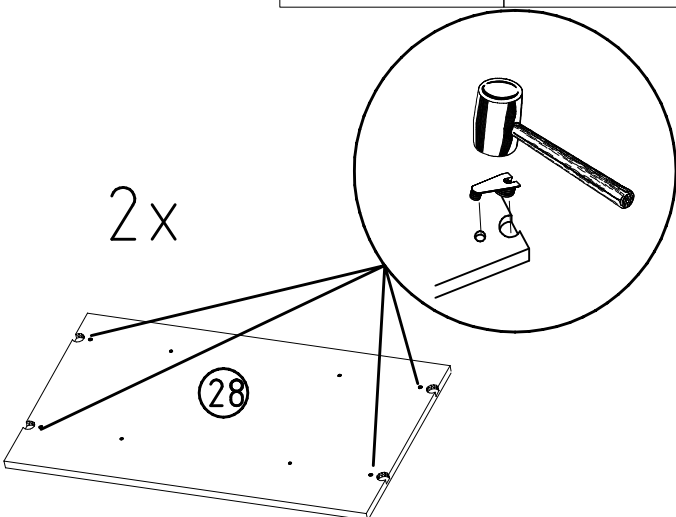
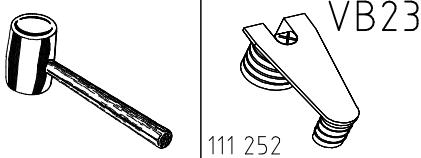
980712

06.04.17 / 25.10.17

10 17

13/24

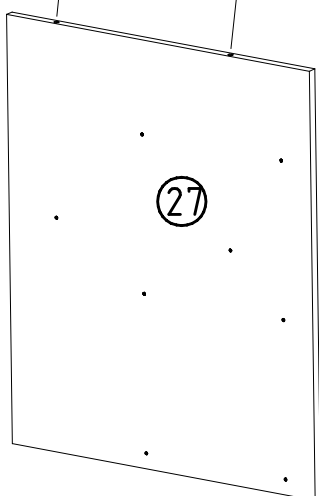
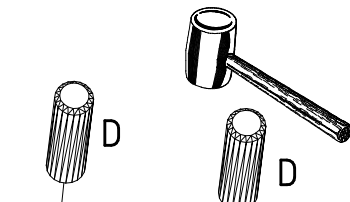
24



2x

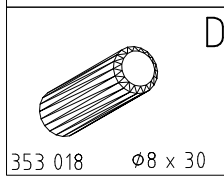
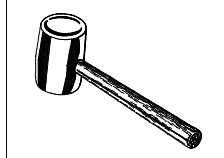
28

25



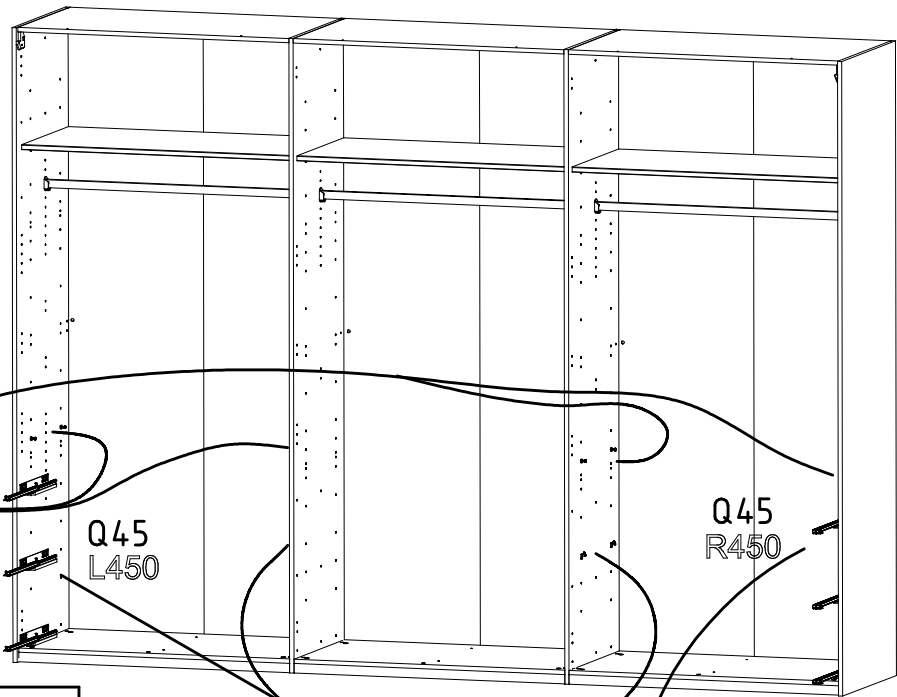
2x

27



353 018 Ø8 x 30

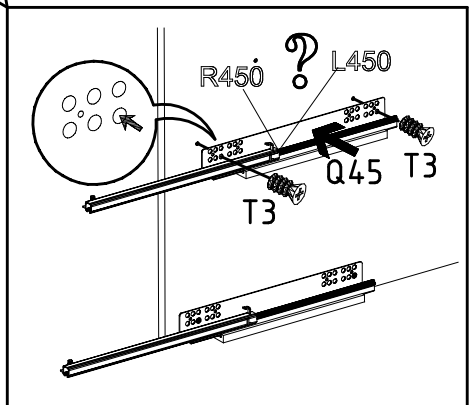
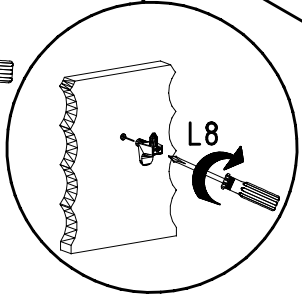
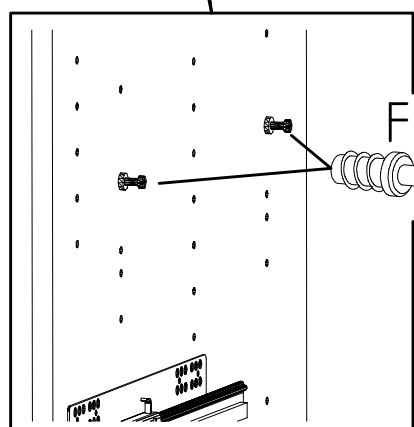
26



Q45
L450

Q45
R450

- +
- Q45
- 112 220/1
- M6 x 10 T3
- 112 616
- F
- 111 229
- L8
- 111 607



980712

06.04.17 / 25.10.17

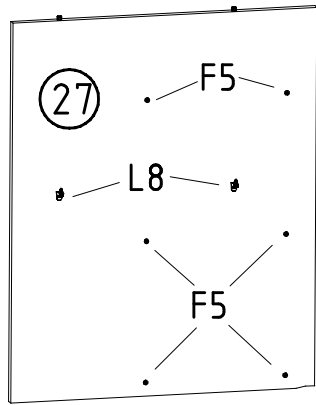
10 17

14/24

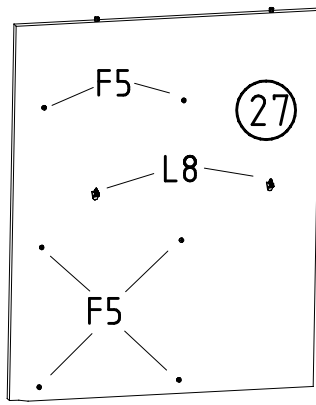
27

1x

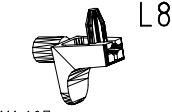
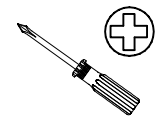
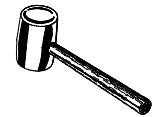
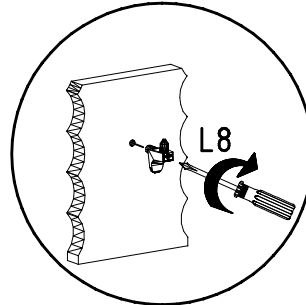
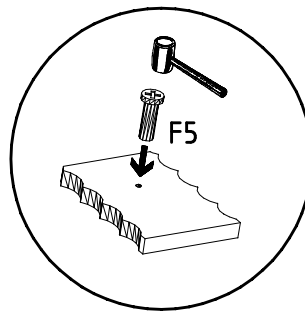
1x



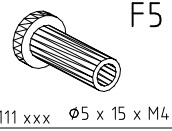
=27L



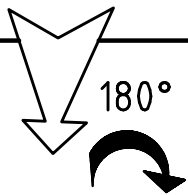
=27R



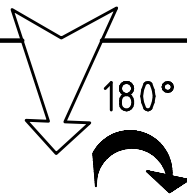
111 607



111 xxx ø5 x 15 x M4

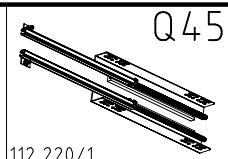
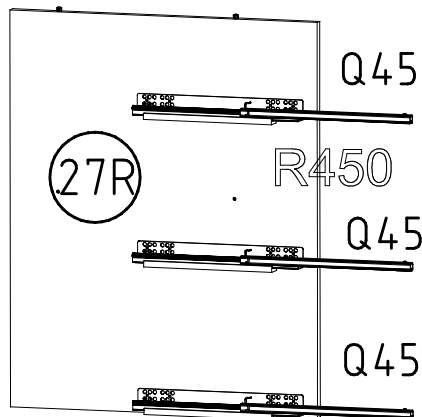
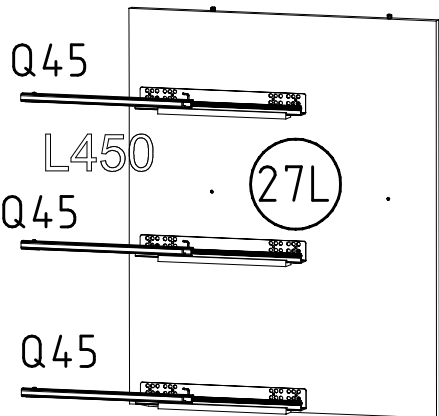


180°

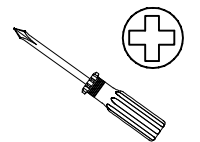


180°

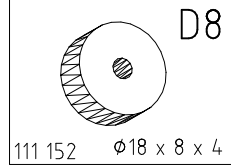
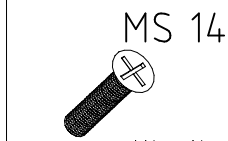
28



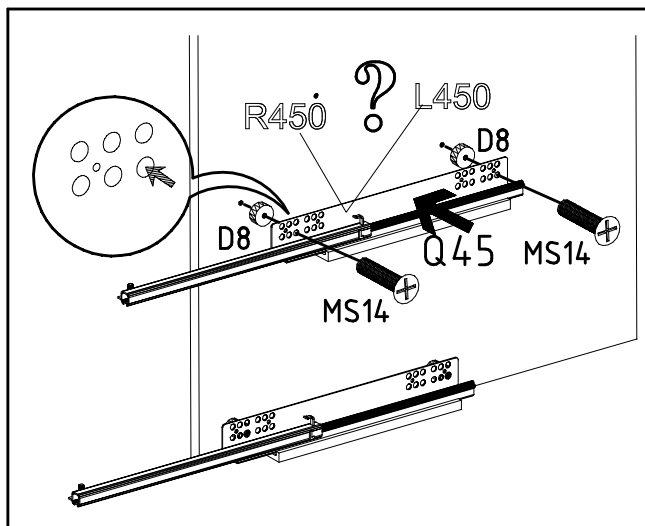
112 220/1



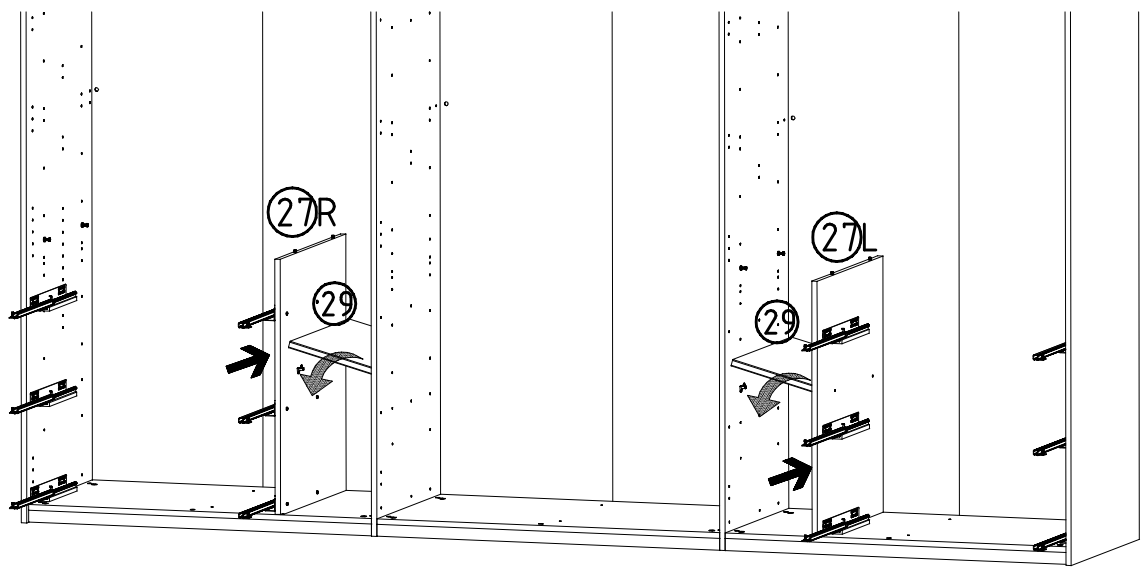
121 010 M4 x 14



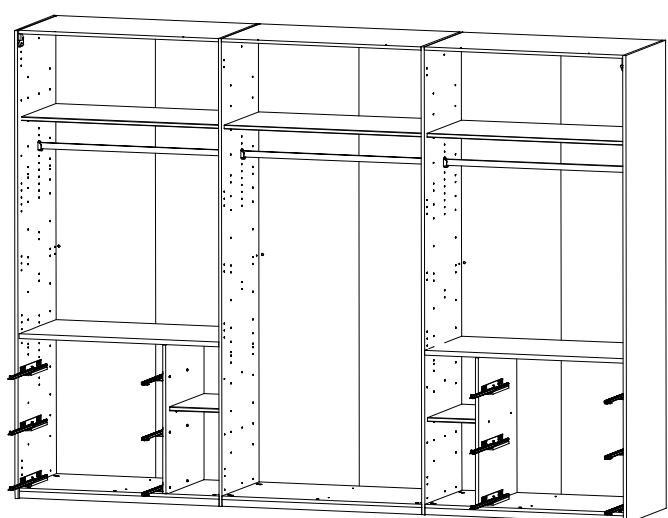
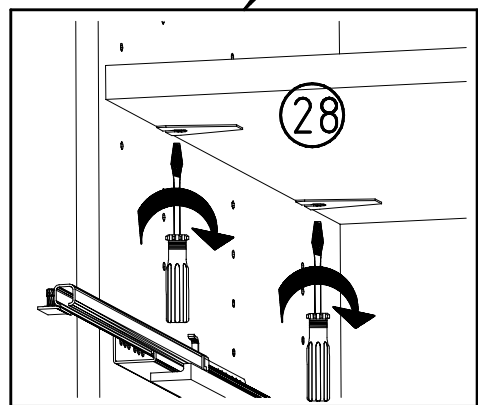
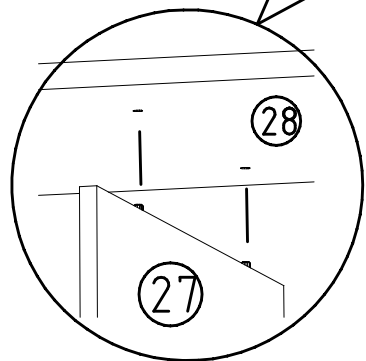
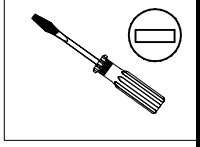
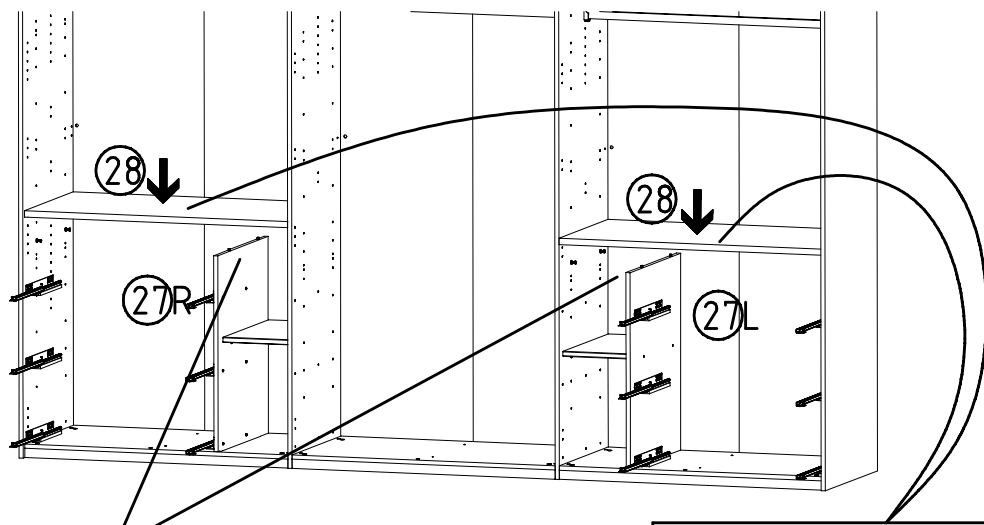
111 152 ø18 x 8 x 4



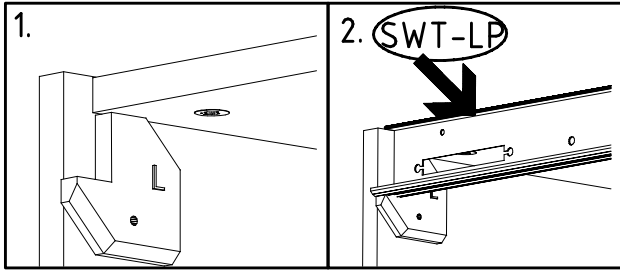
29



30

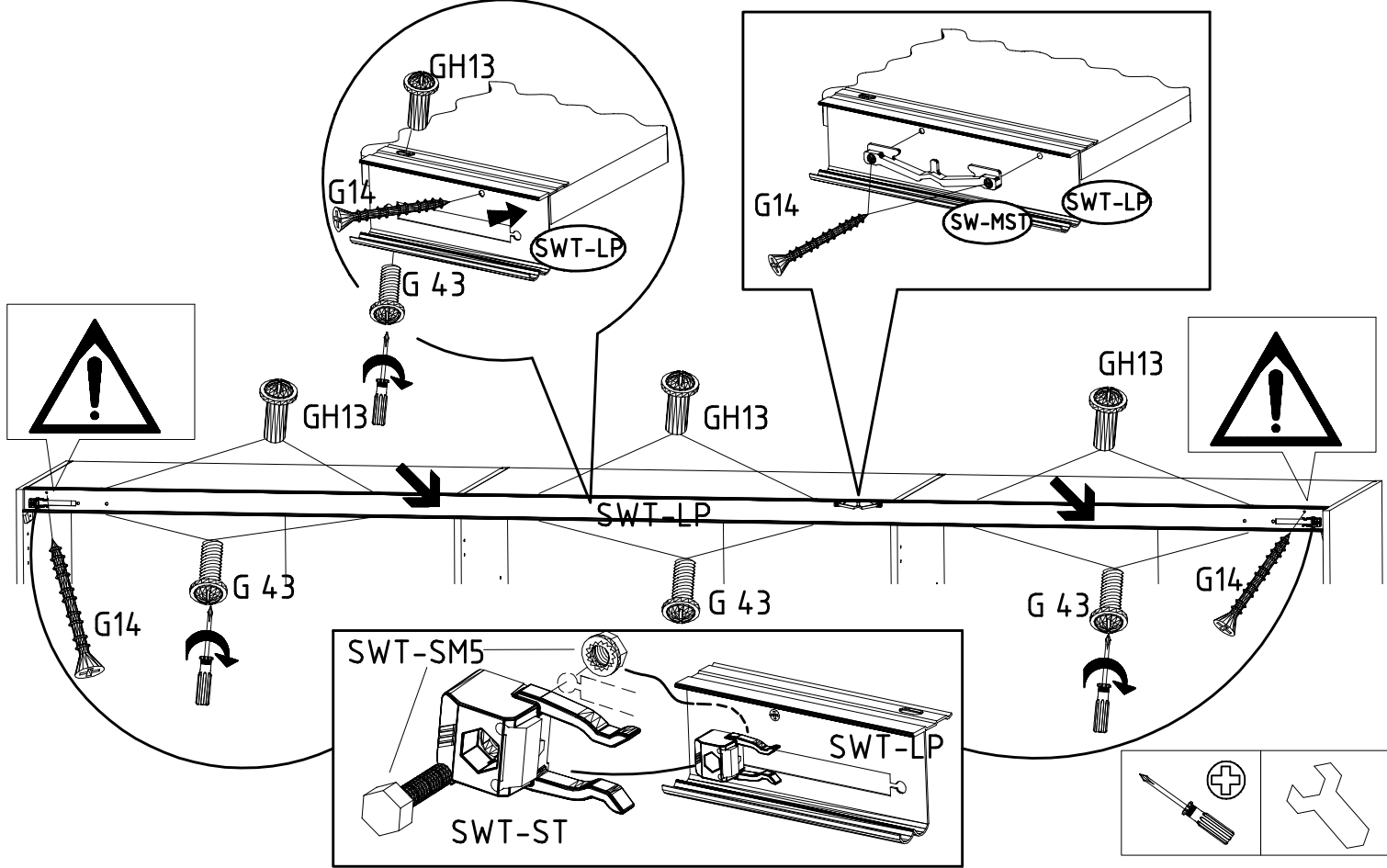


31

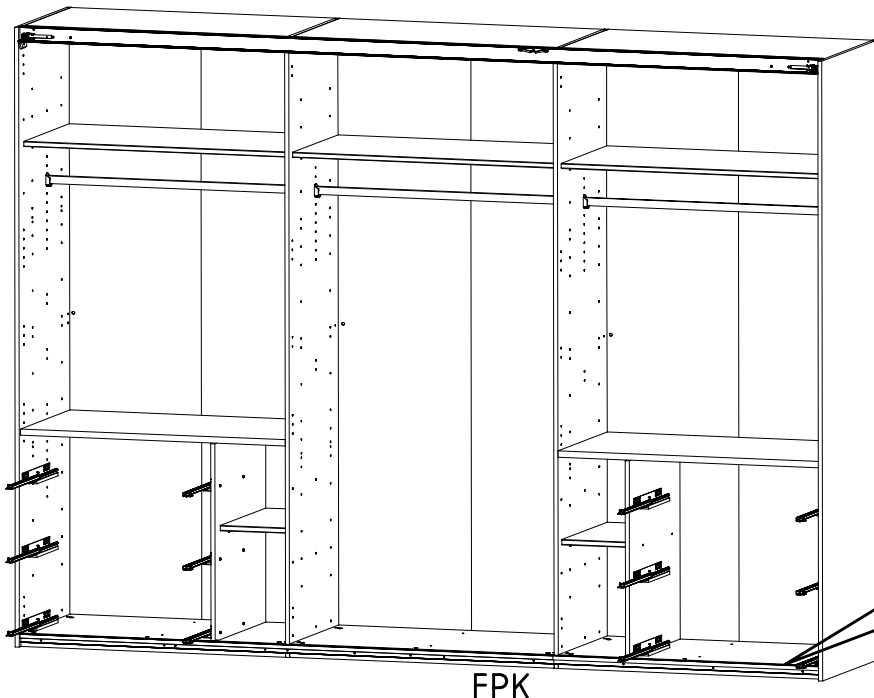


M4 x 10 mm G43 121 xxx	M4 x 13 mm GH13 121 xxx	3,5 x 35 mm G14 121 375	SWT-ST	SWT-SM5 SW-STM
------------------------------	-------------------------------	-------------------------------	--------	-------------------

SWT-LP
1453/1940/2430/2920 3trg
/3410 SY

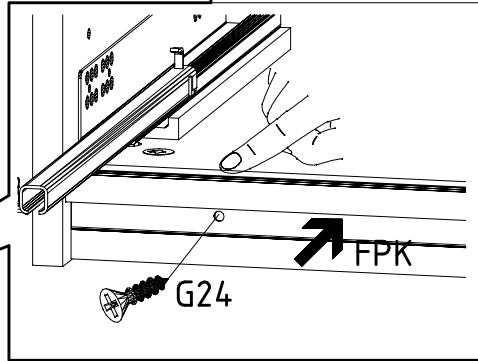


32

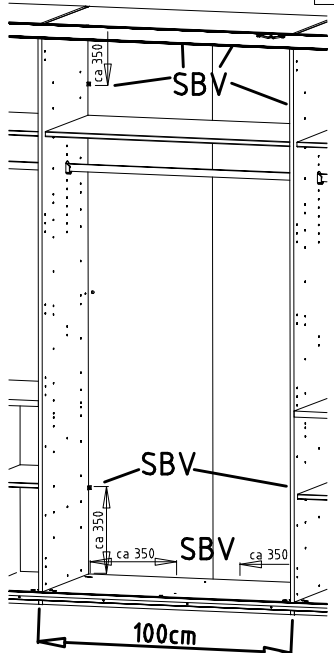
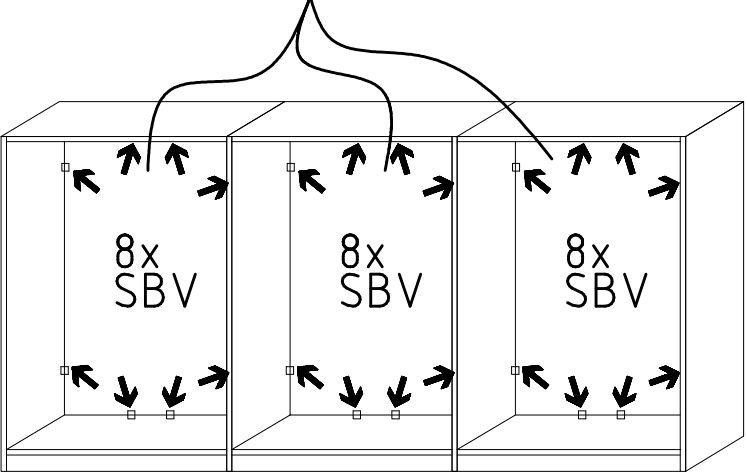
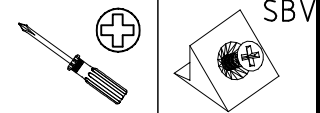
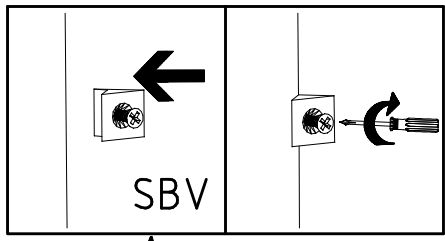


FPK
1453/1940/2430/2920/3408

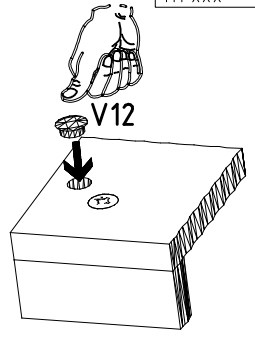
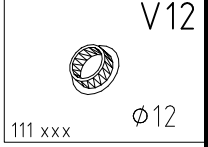
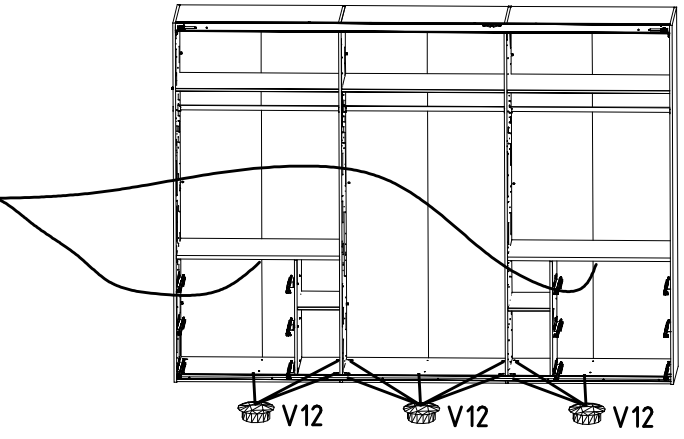
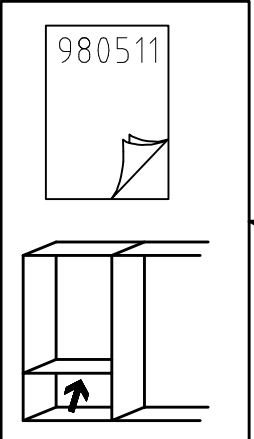
3,5 x 22 mm
G24
121 004



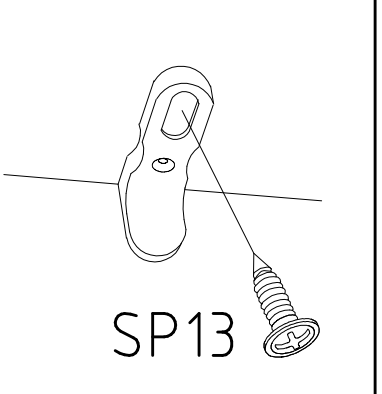
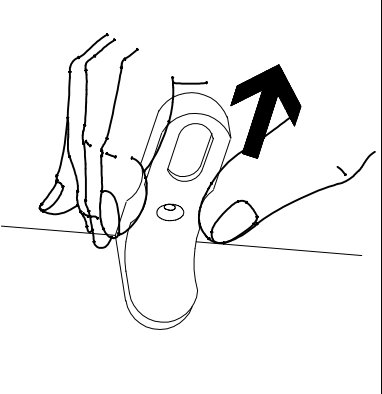
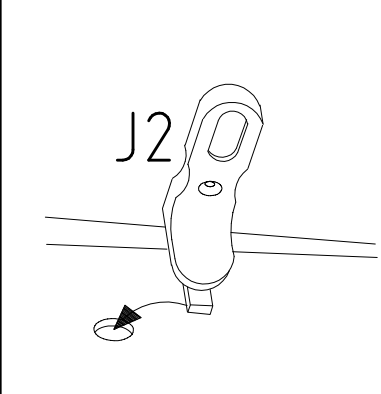
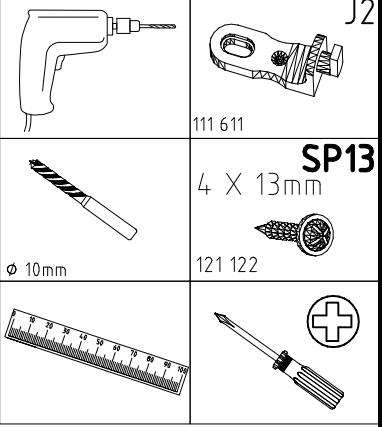
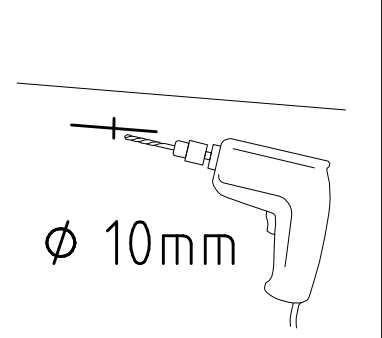
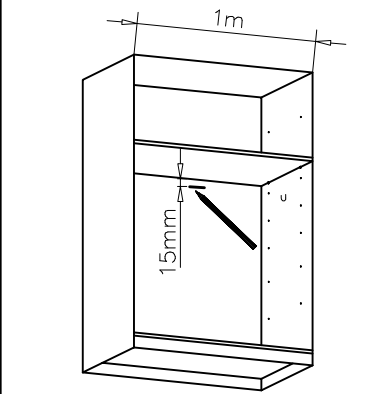
33



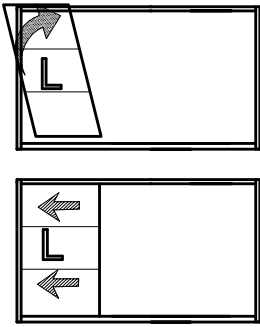
34



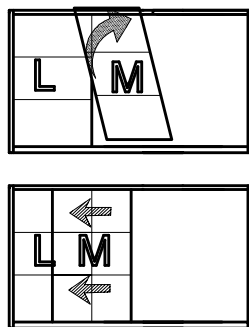
35



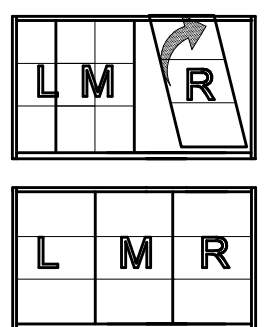
36



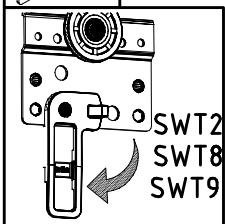
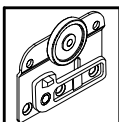
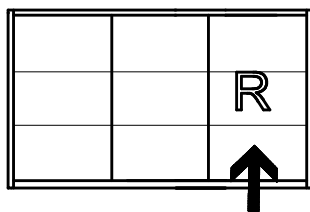
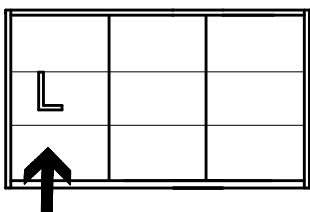
37



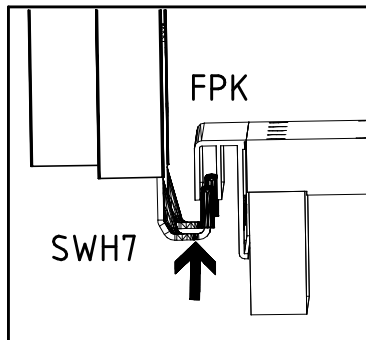
38



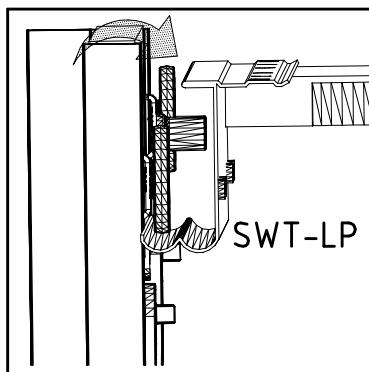
36 + 38



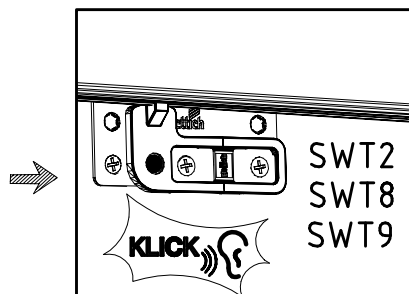
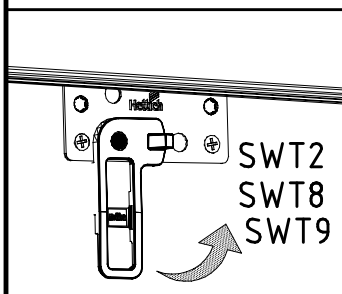
I.



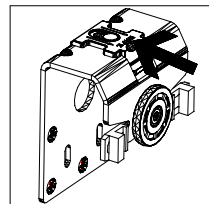
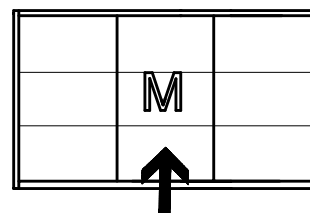
II.



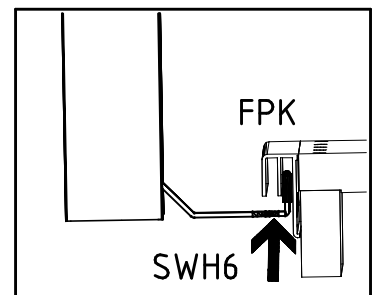
III.



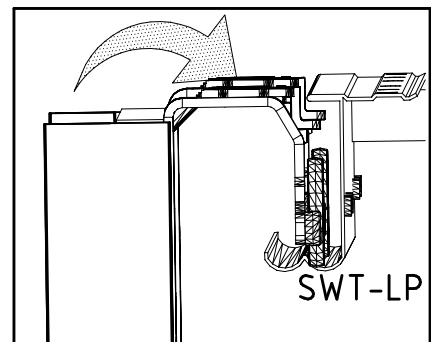
37



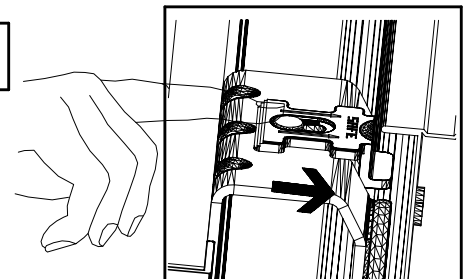
I.



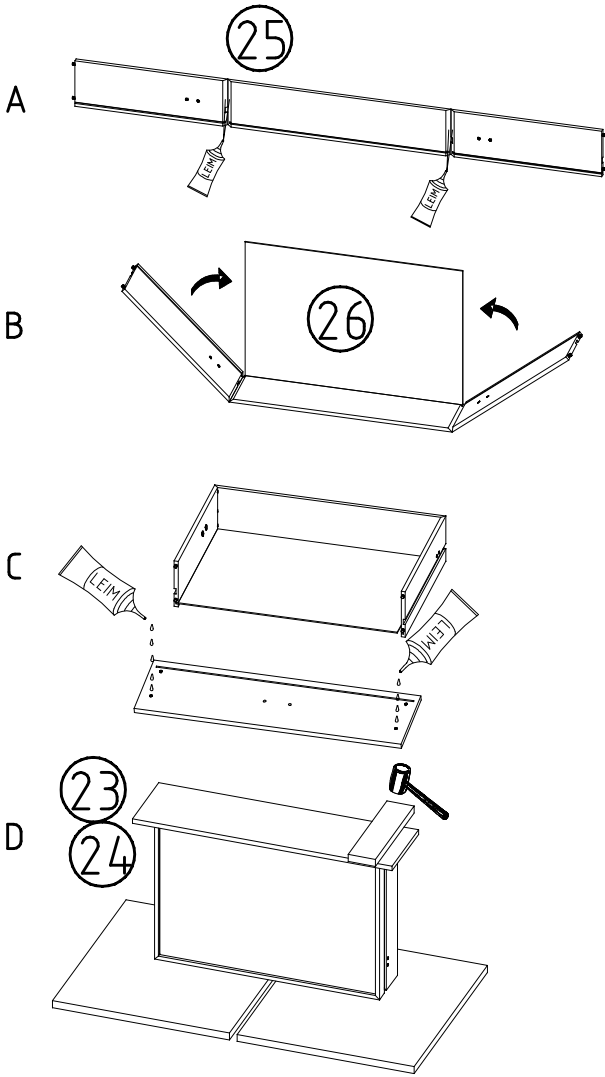
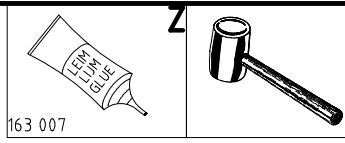
II.



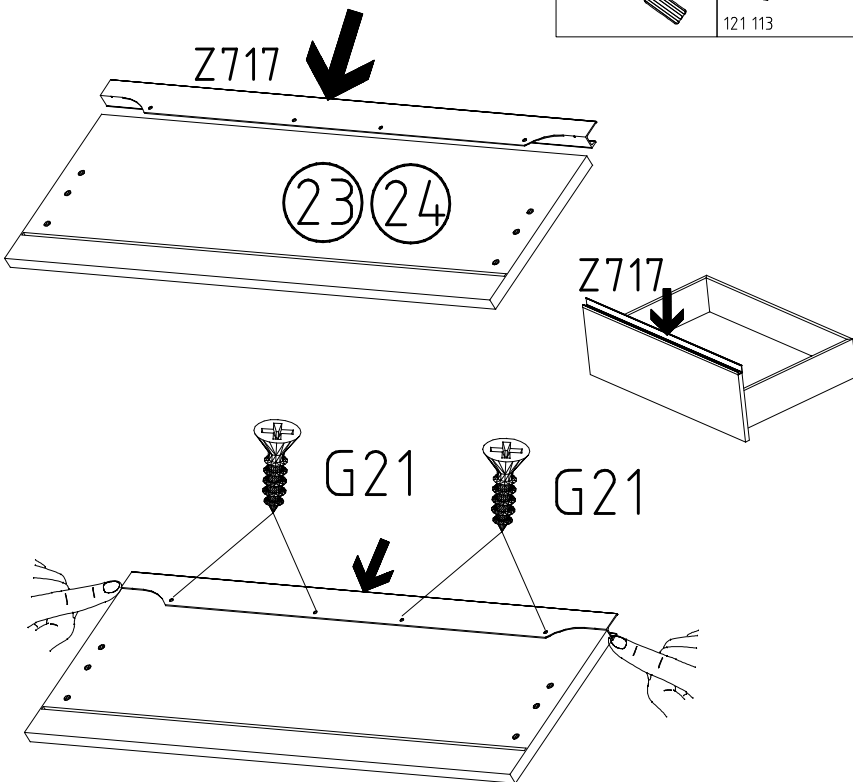
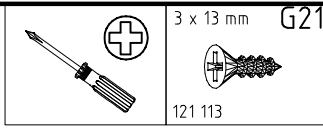
III.



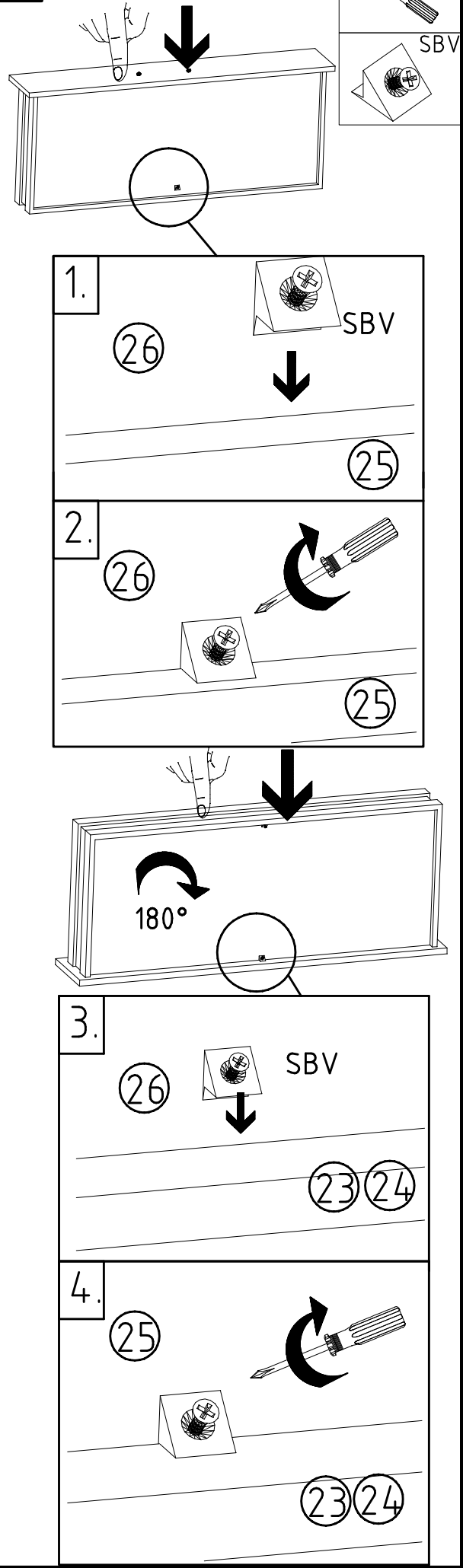
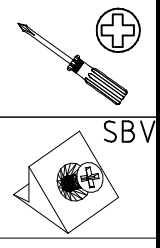
39



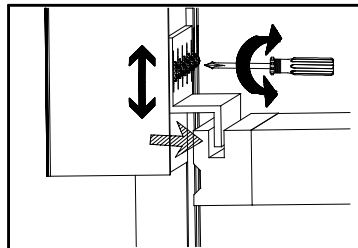
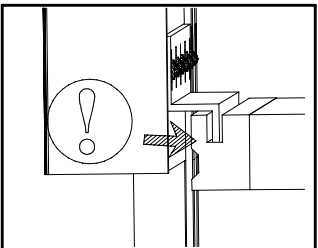
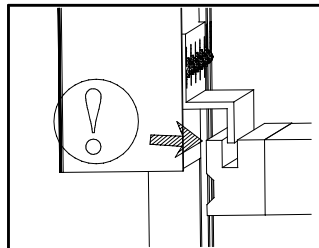
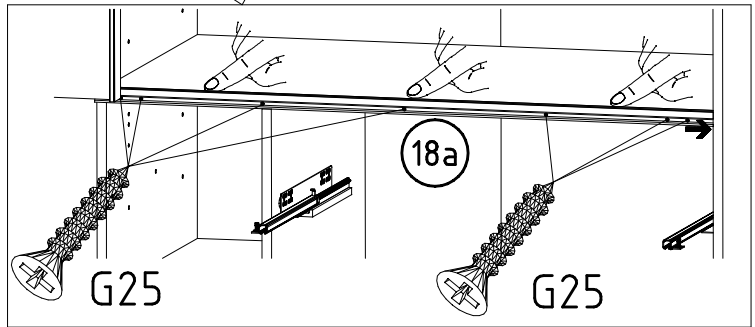
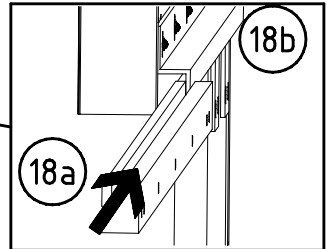
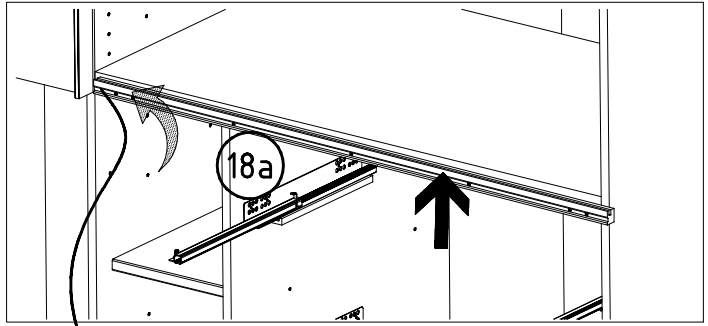
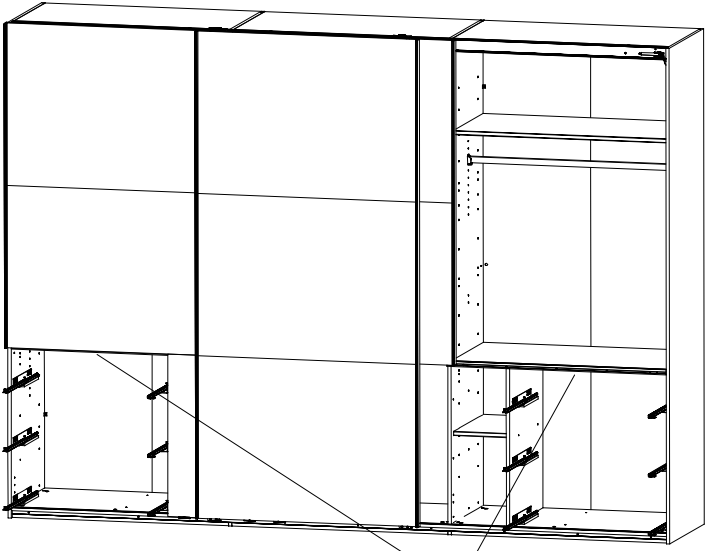
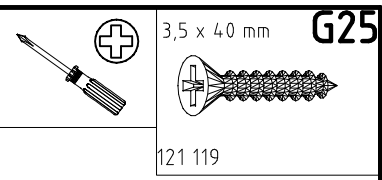
40



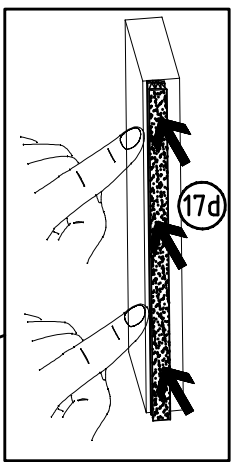
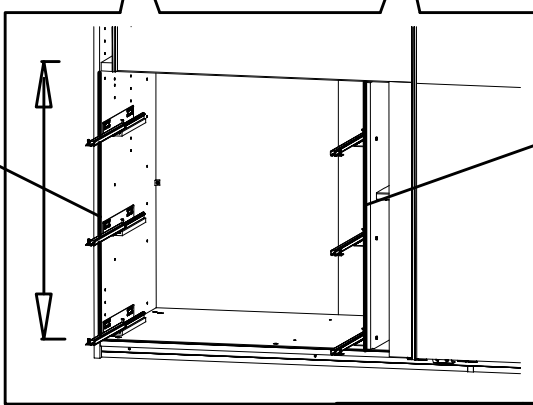
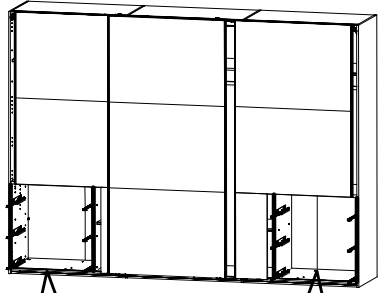
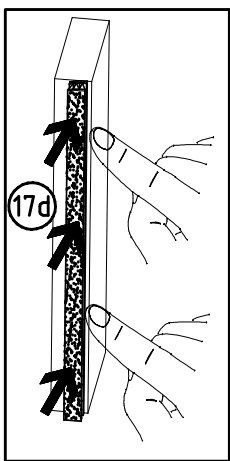
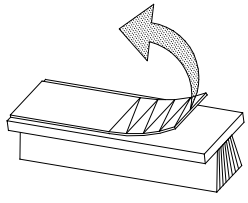
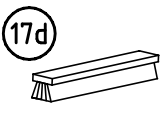
41



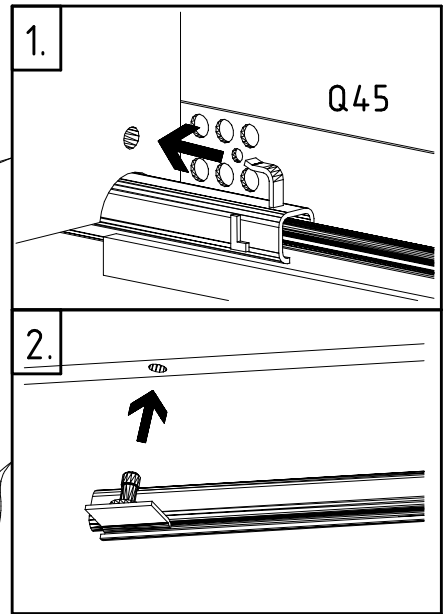
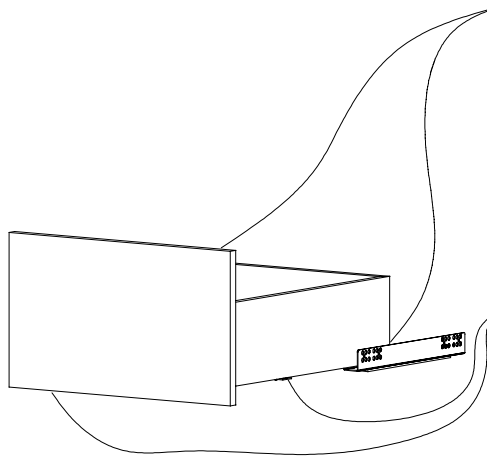
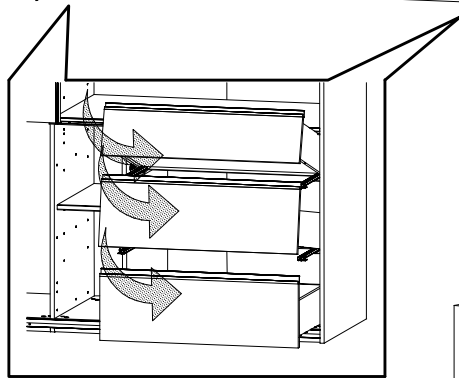
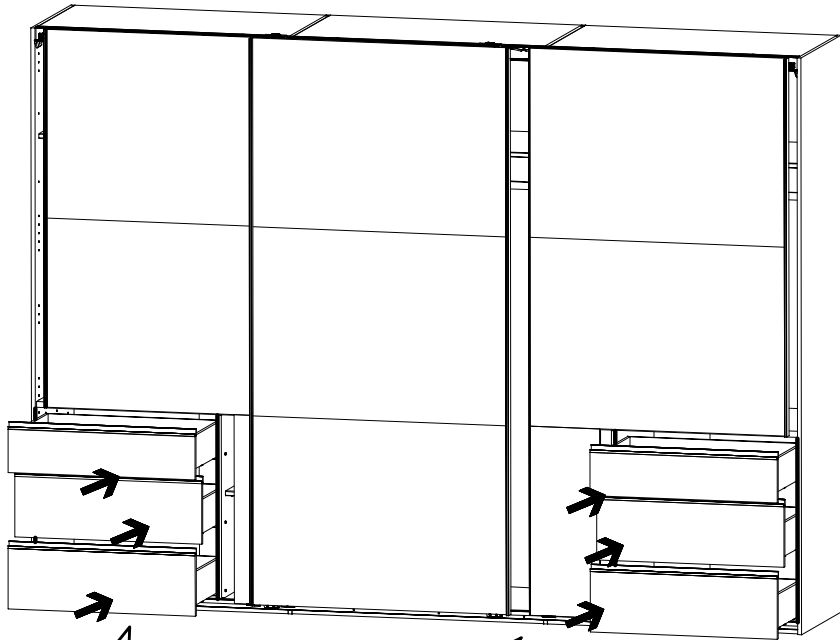
42



43



44



45

