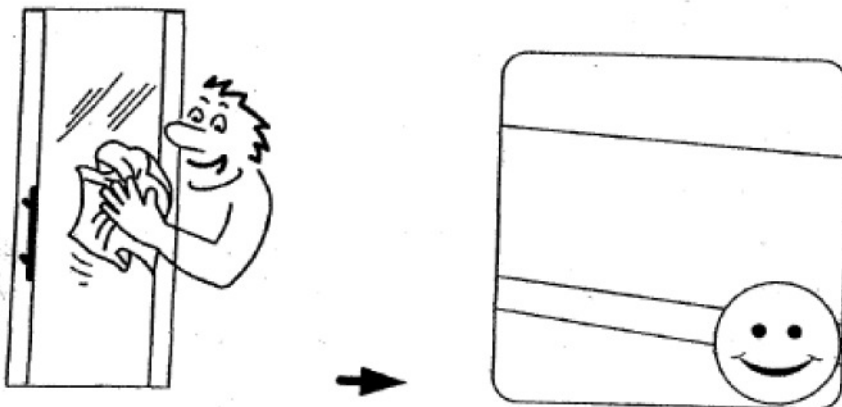
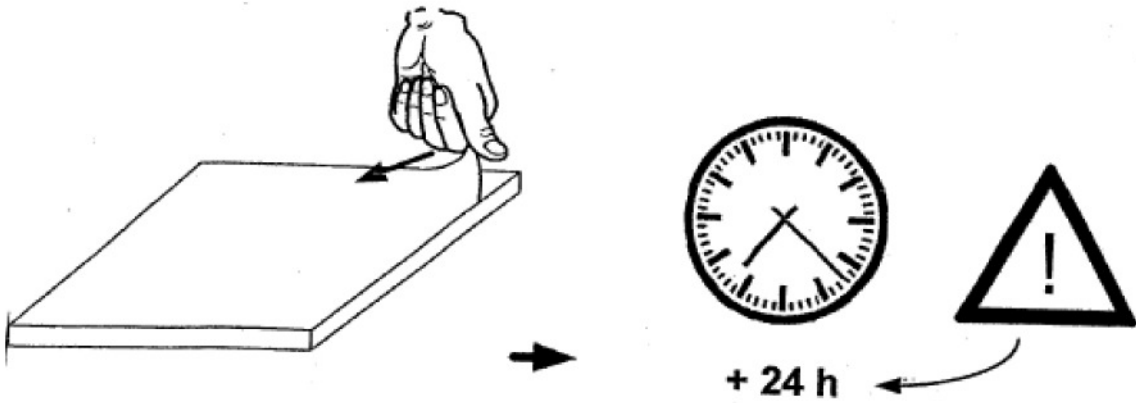
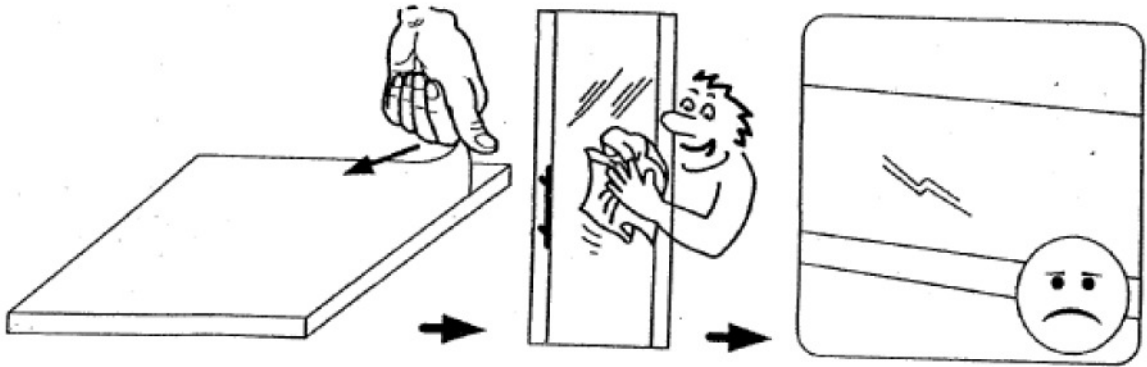
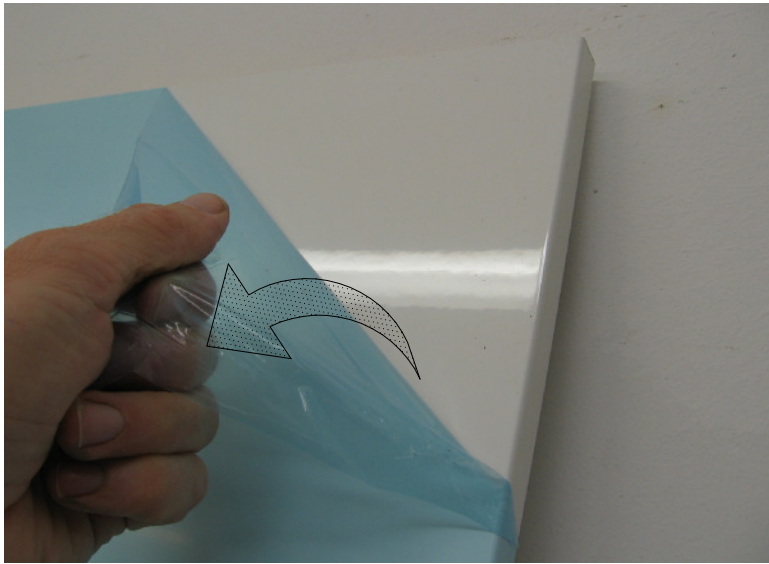
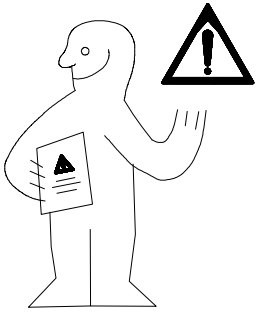
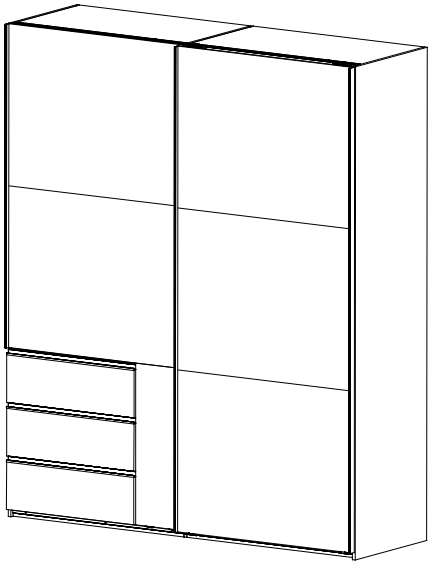
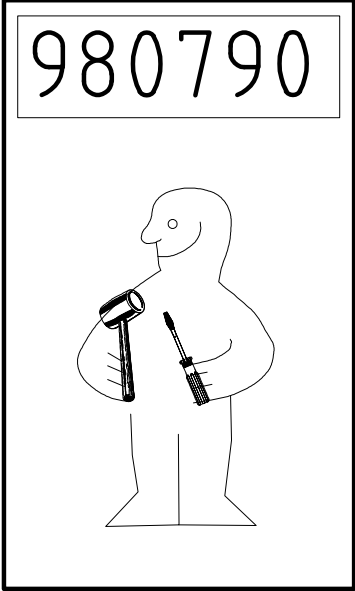
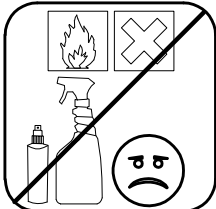
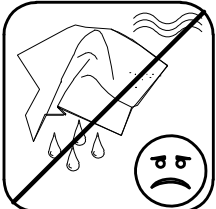
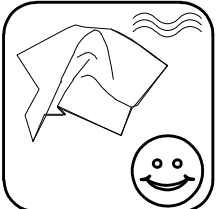
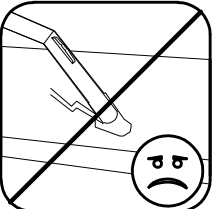
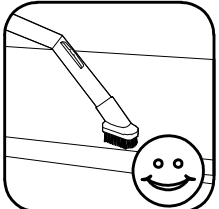
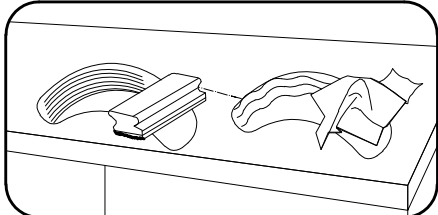
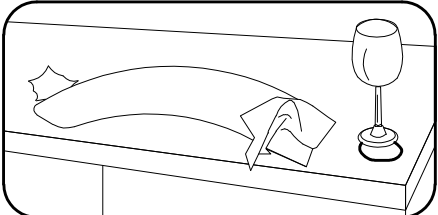
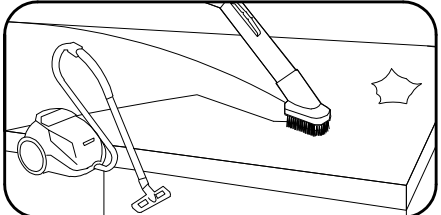
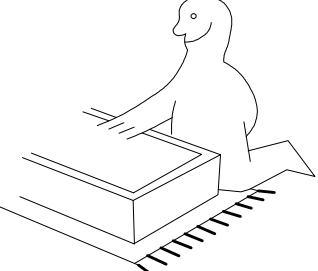
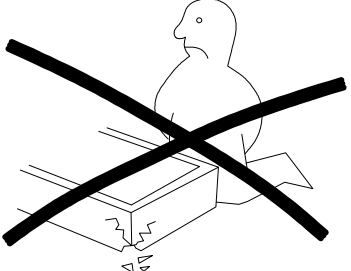
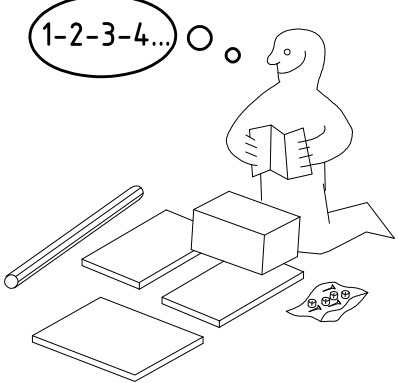
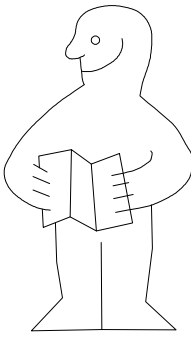
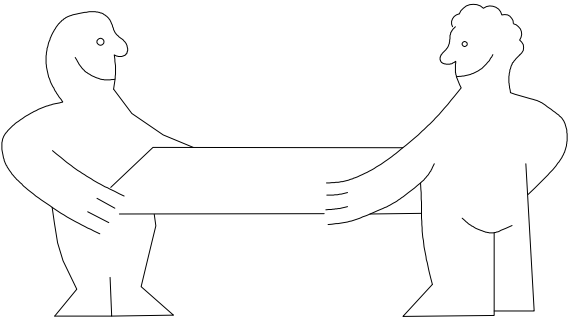
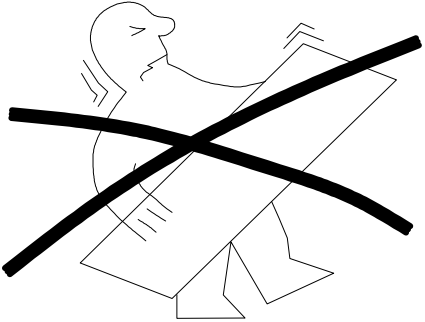





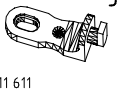
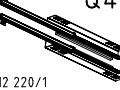
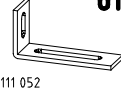
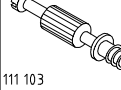





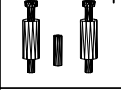
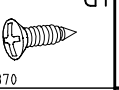
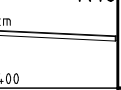
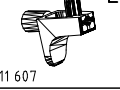
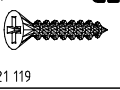
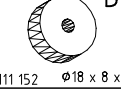
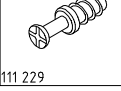

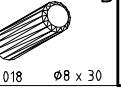

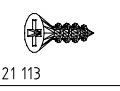
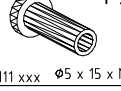
980005

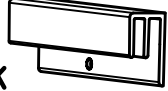


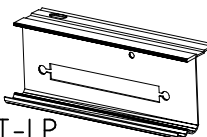


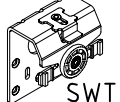

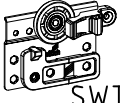
SHSP 200 ASK

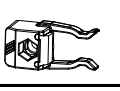

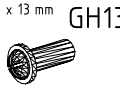
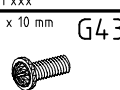

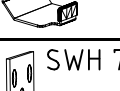
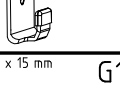




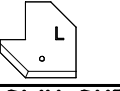




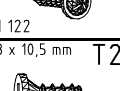
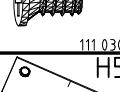
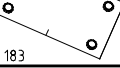

 A1 111 xxx	24x	 S0 111 300	15x	 K2 117 002	6x	 J2 111 611	10x	 Q45 112 220/1	3x	 o10 111 052	1x
 C 111 103	8x	 V12 111 xxx φ12	15x	 SBV 117 002	36x	 T1 112 055	30x	 T3 M6 x 10	6x	 SP13 121 122	3x
 F3	8x	 G1 121 370	42x	 K10 100cm	3x	 L8 111 607	16x	 G25 3,5 x 40 mm	7x	 D8 111 152	6x
 F 111 229	8x	 VB23 111 252	8x	 D 353 018	4x	 Z 163 007	2x	 G21 3 x 13 mm	12x	 F5 111 xxx	6x

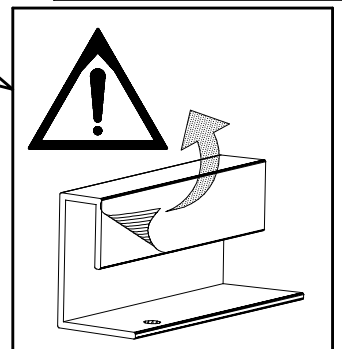
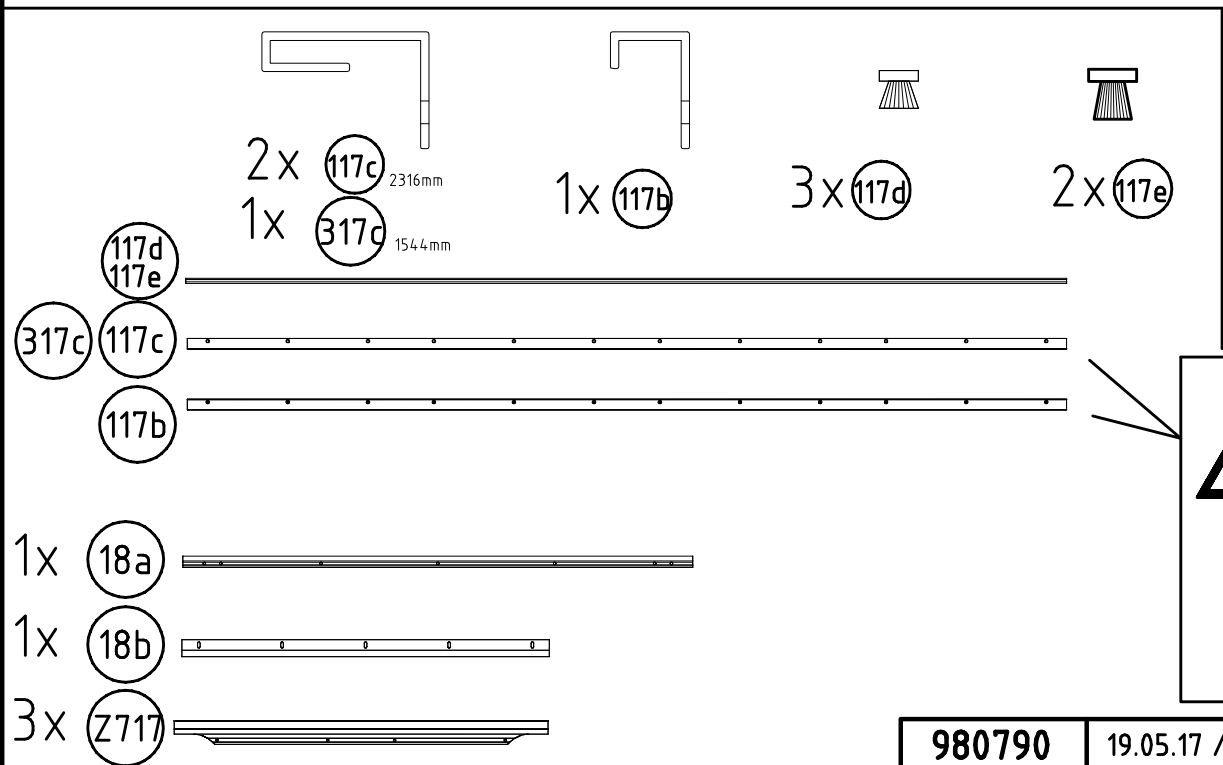
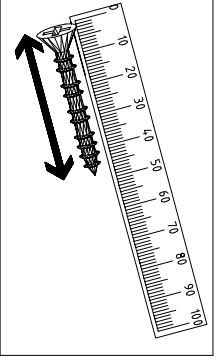
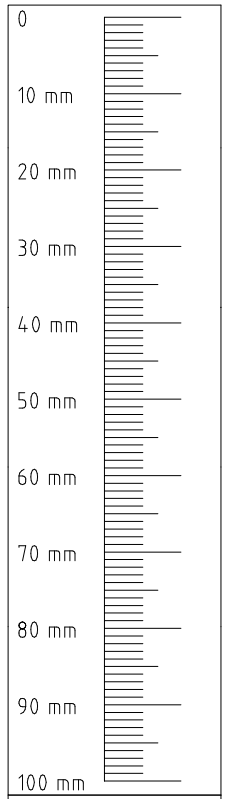
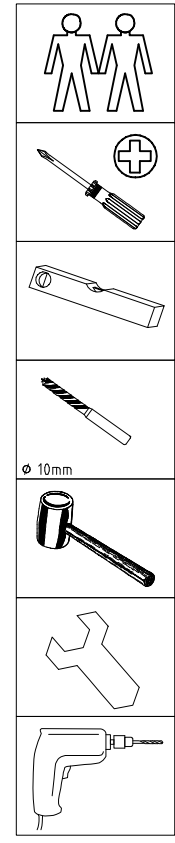
1x  **FPK**
1453/1940/2430/2920/3408

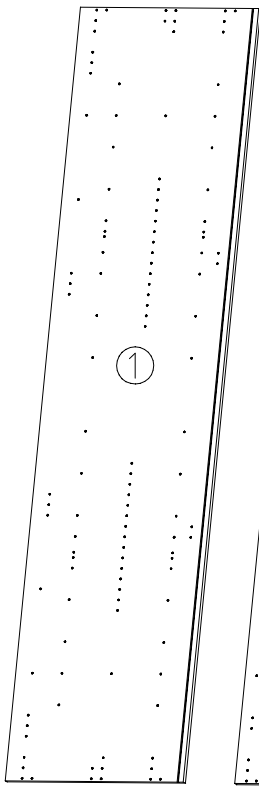
1x  **SWT-LP**
1453/1940/2430/2920/3410 SY

 SWT 1	2x
 SWT2	1x
 SWT8	1x

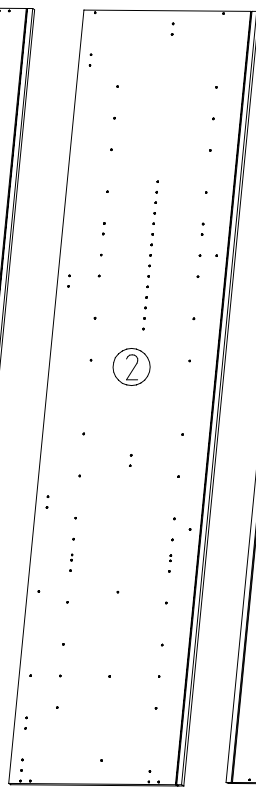
 SWT-ST	2x
 SWT-SM5 M4 x 13 mm	2x
 GH13 121 xxx	4x
 G43 M4 x 10 mm	4x
 121 xxx	4x
 SWH 6	2x
 SWH 7	2x
 G1 3,5 x 15 mm	1x
 121 370	1x

 SWH-SKL L	1x
 SWH-SKR R	1x
 G24 3,5 x 22 mm	7x
 G14 3,5 x 35 mm	2x
 121 375	2x
 SP13 4 x 13mm	73x
 T2 121 122	24x
 H5 111 030	5x
 114 183	

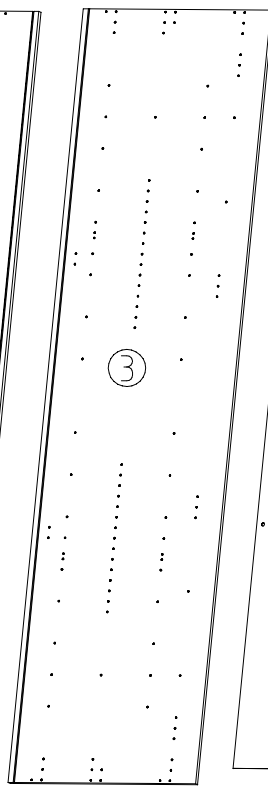




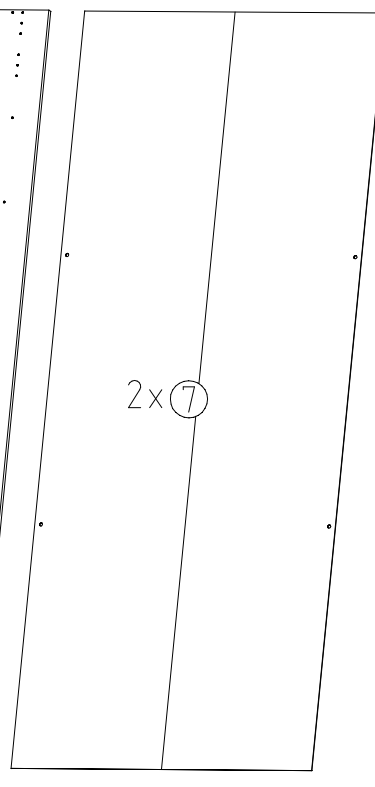
2352x577x15



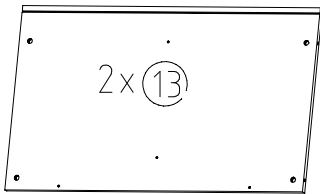
2352x560x15



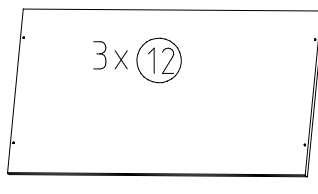
2352x607x15



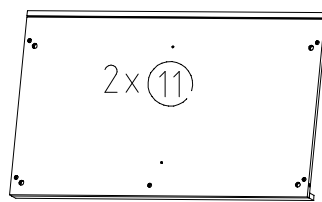
2303x973x2,5



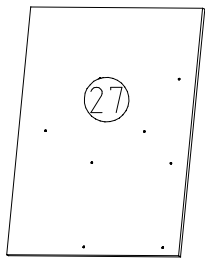
964x560x15



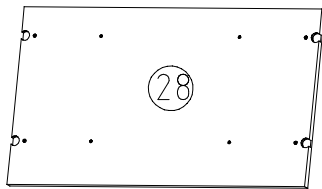
964x500x18



964x560x47



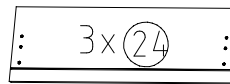
753x557x15



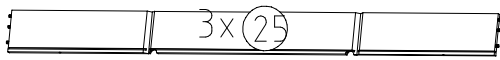
964x540x22



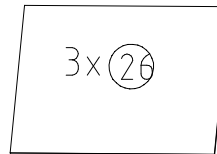
250x500x18



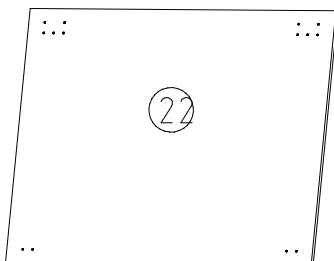
717x227x15



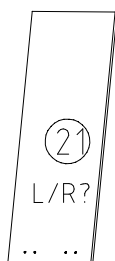
450/675/450x126x12



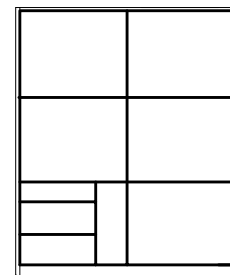
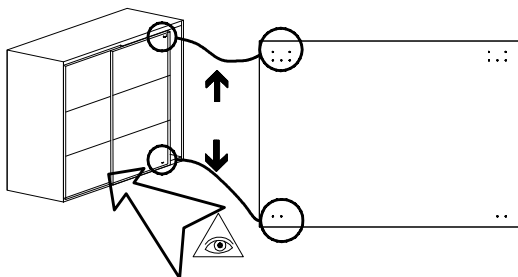
661x449x2,5



5x 990x772x15

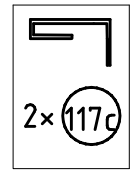
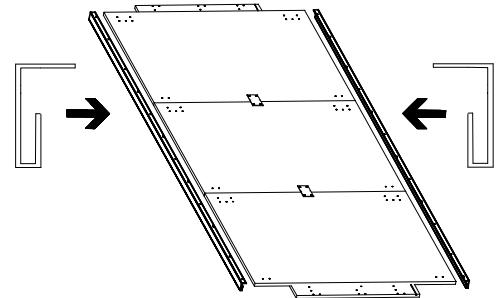
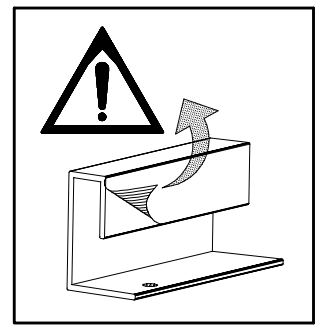
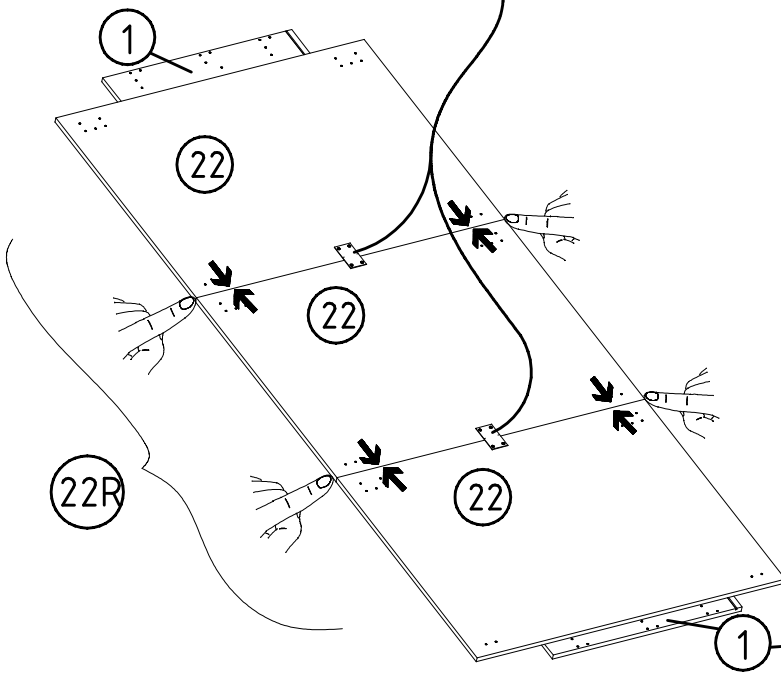
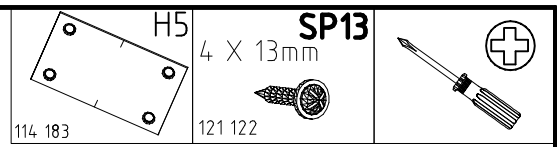
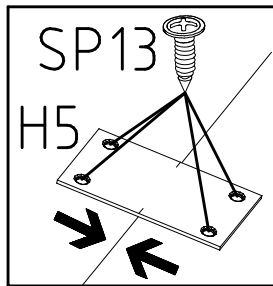
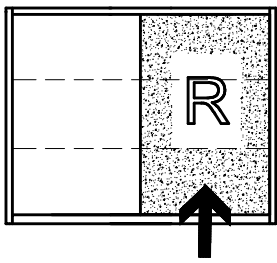


268x772x15

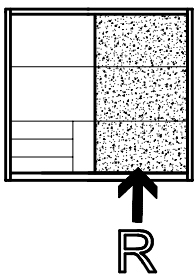
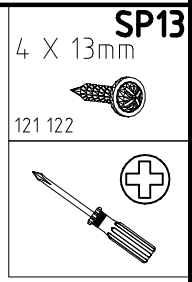
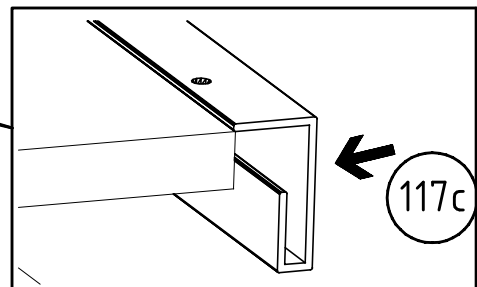
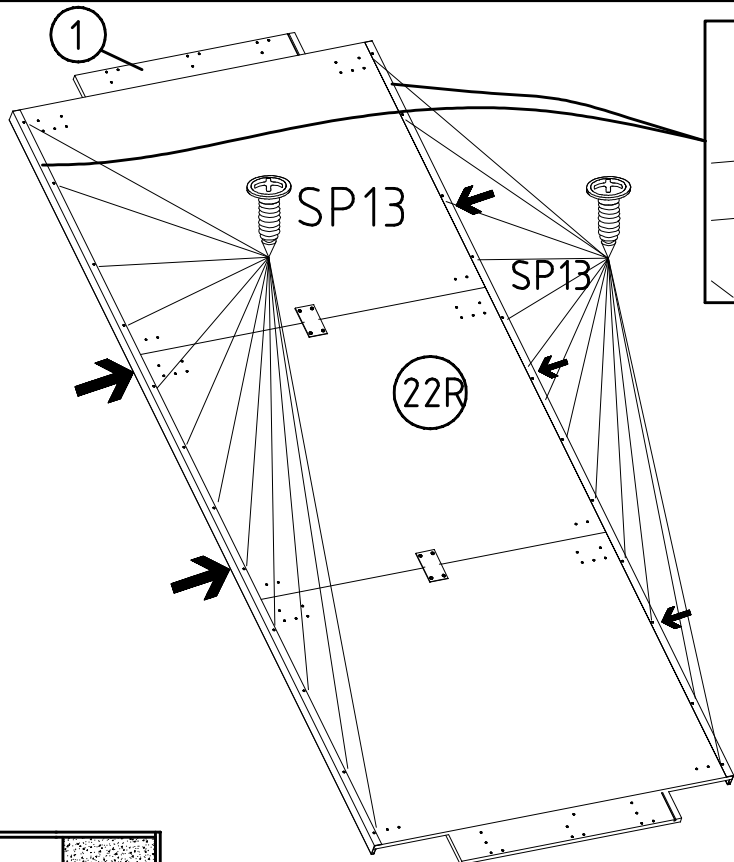


L R

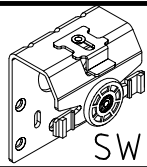
1



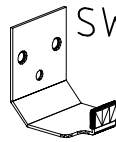
2



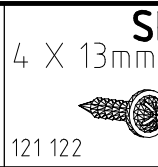
3



SWT 1

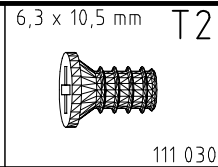


SWH 6

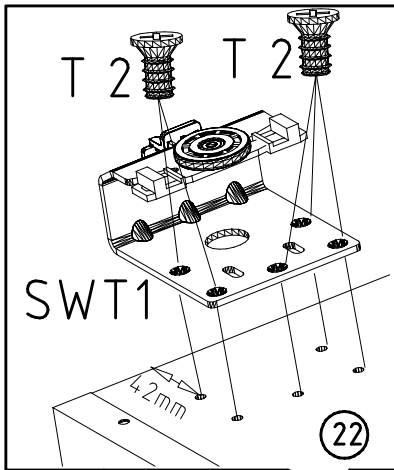
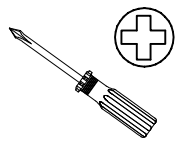


SP13

4 X 13mm
121 122



6,3 x 10,5 mm
T2
111 030

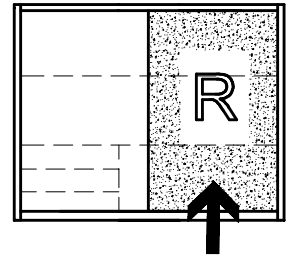


SWT1

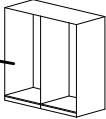
4.2mm

22

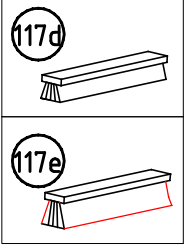
1



1

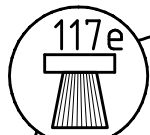
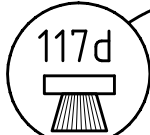


22R



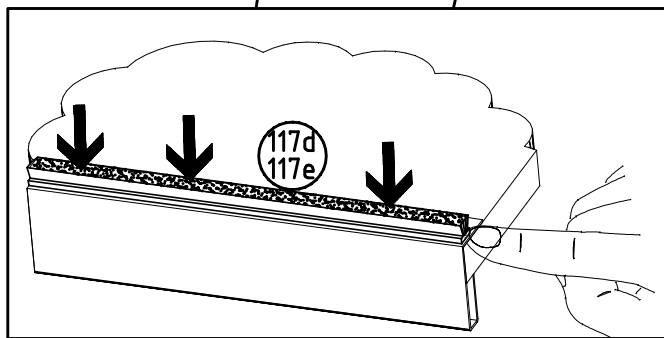
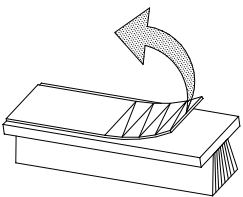
117d

117e



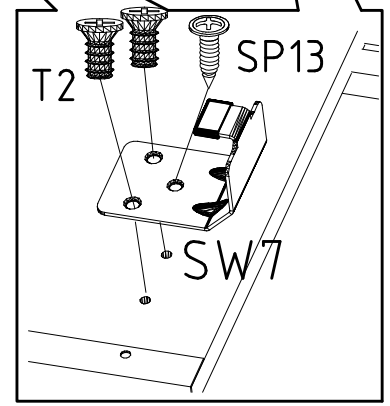
117d

117e



117d

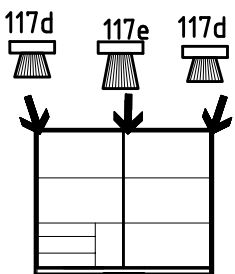
117e



T2

SP13

SW7

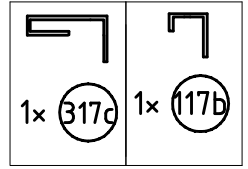
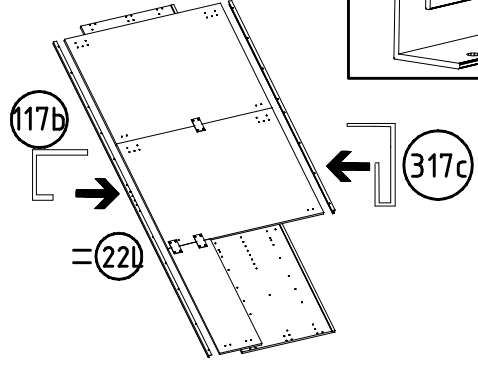
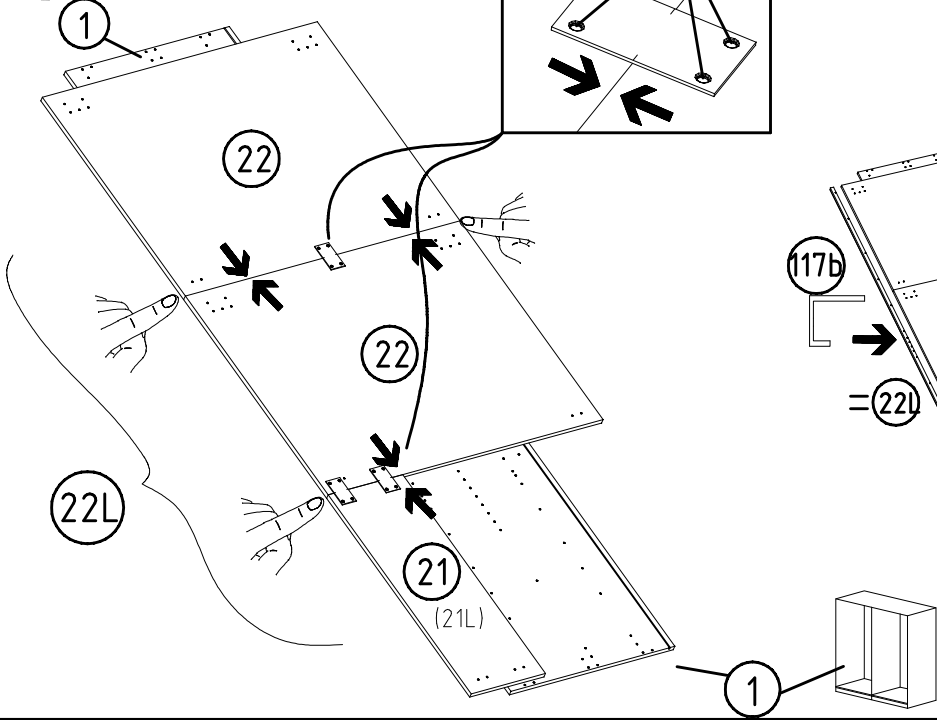
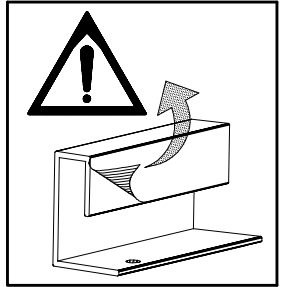
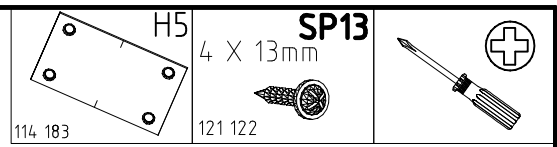
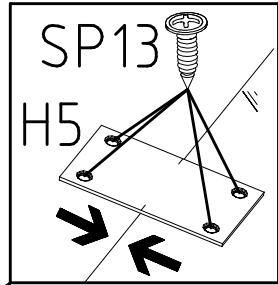
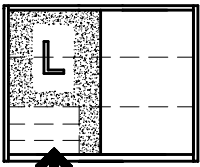


117d

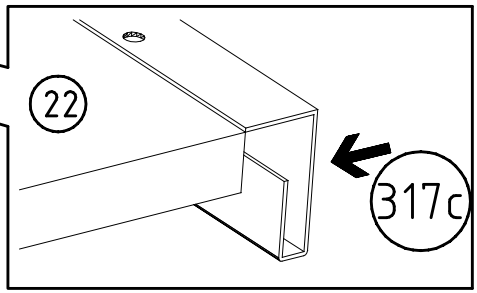
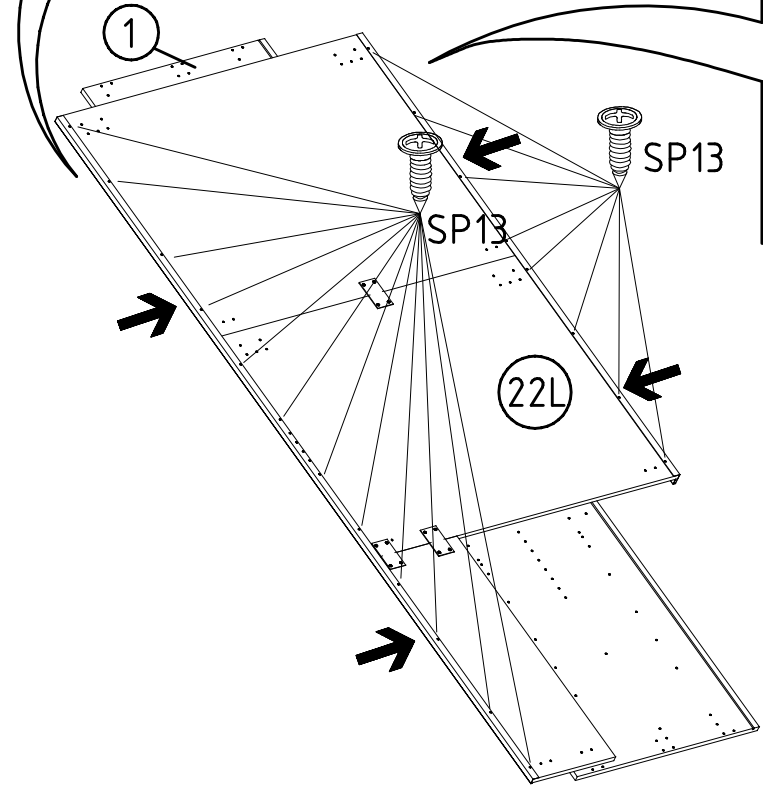
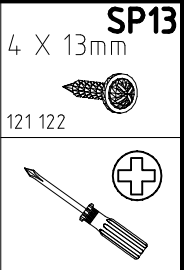
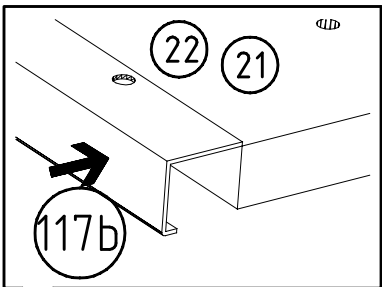
117e

117d

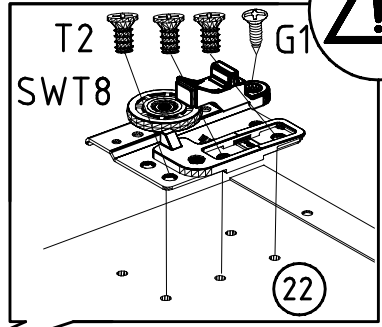
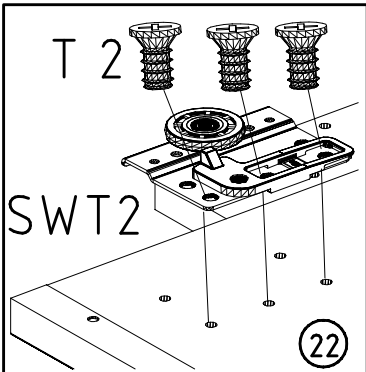
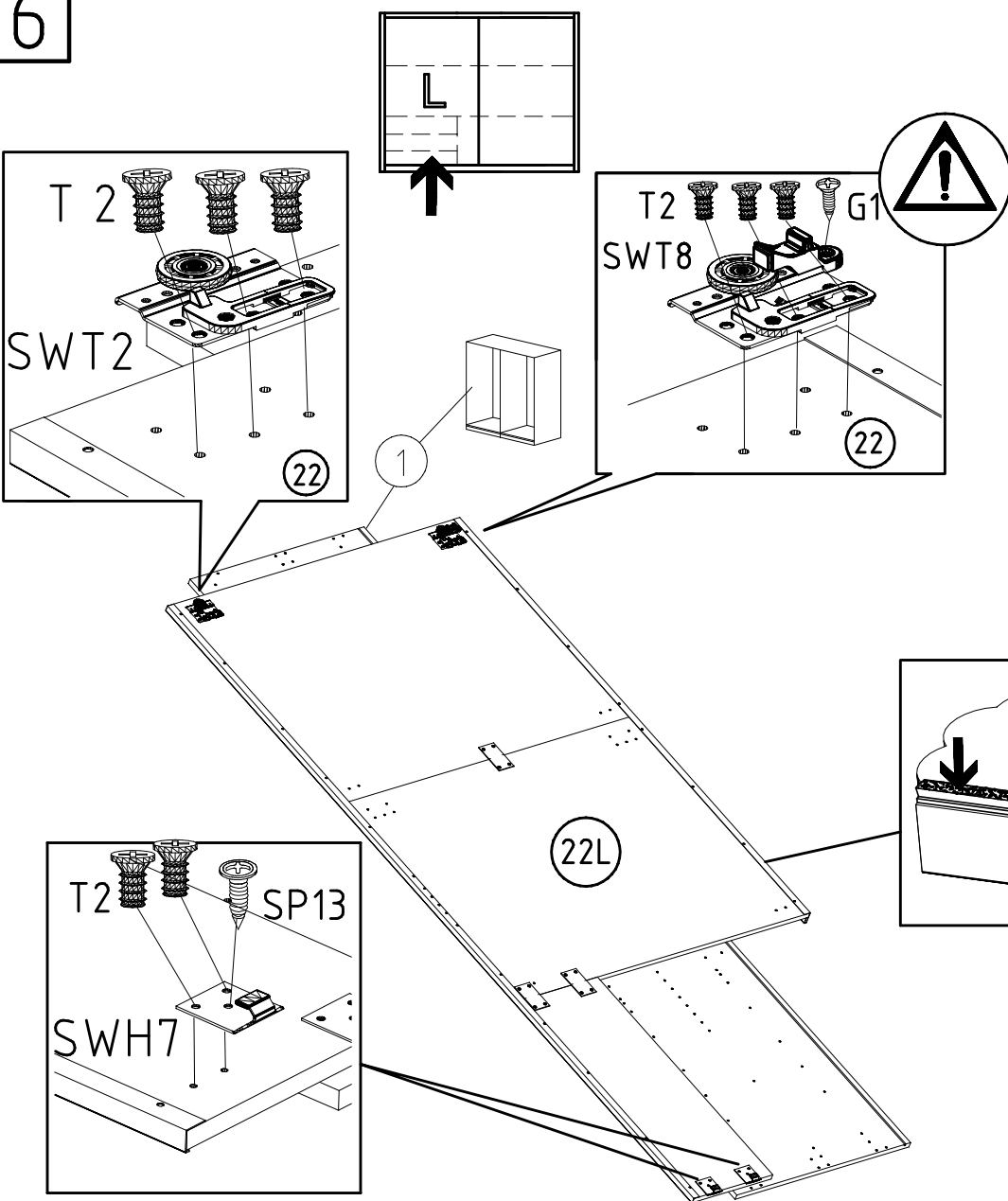
4



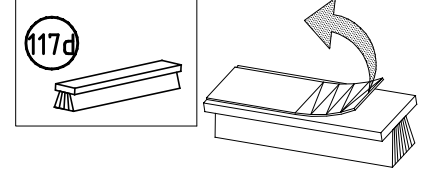
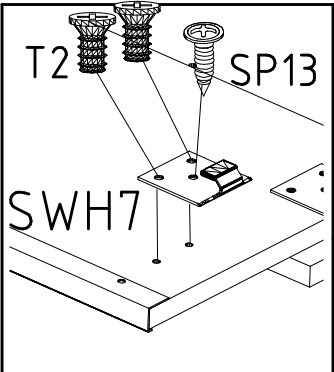
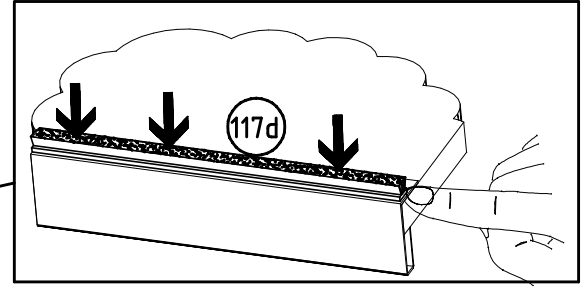
5



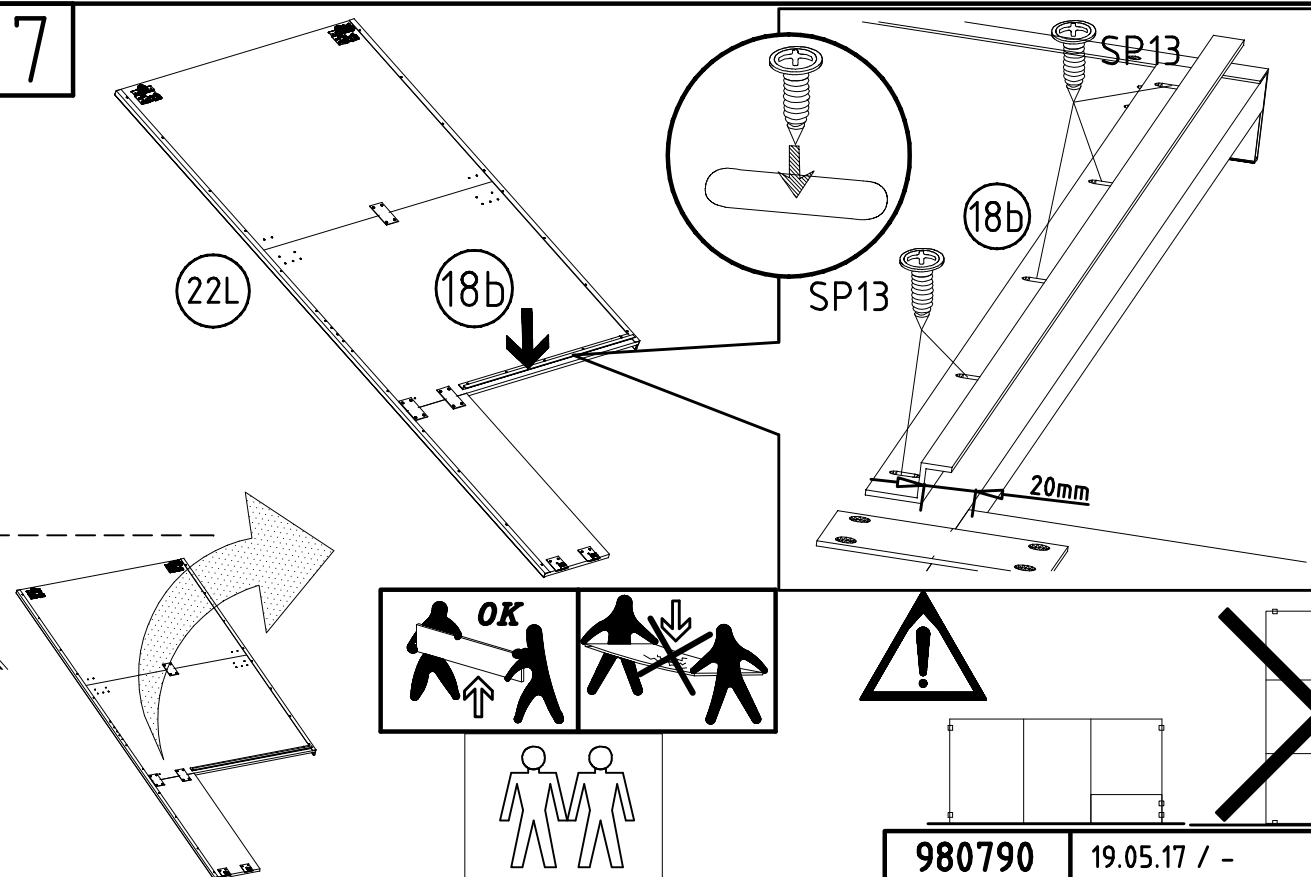
6



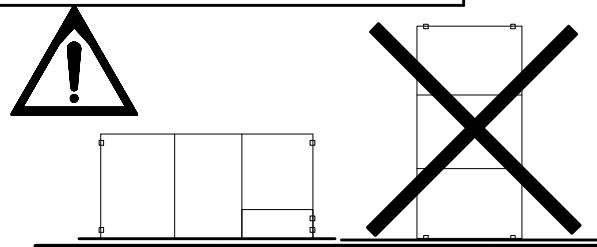
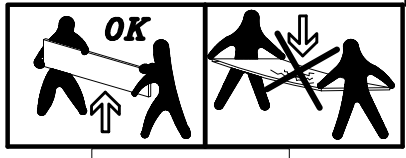
SWT2	SWT8
6,3 x 10,5 mm T2	SWH 7
111 030	
3,5 x 15 mm G1	SP13
	4 X 13mm
121 370	
	121 122



7



SP13
4 X 13mm
121 122



980790

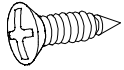
19.05.17 / -

05 17 / 7/22

8

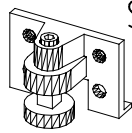
3,5 x 15 mm

G1



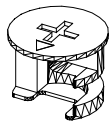
121 370

S0

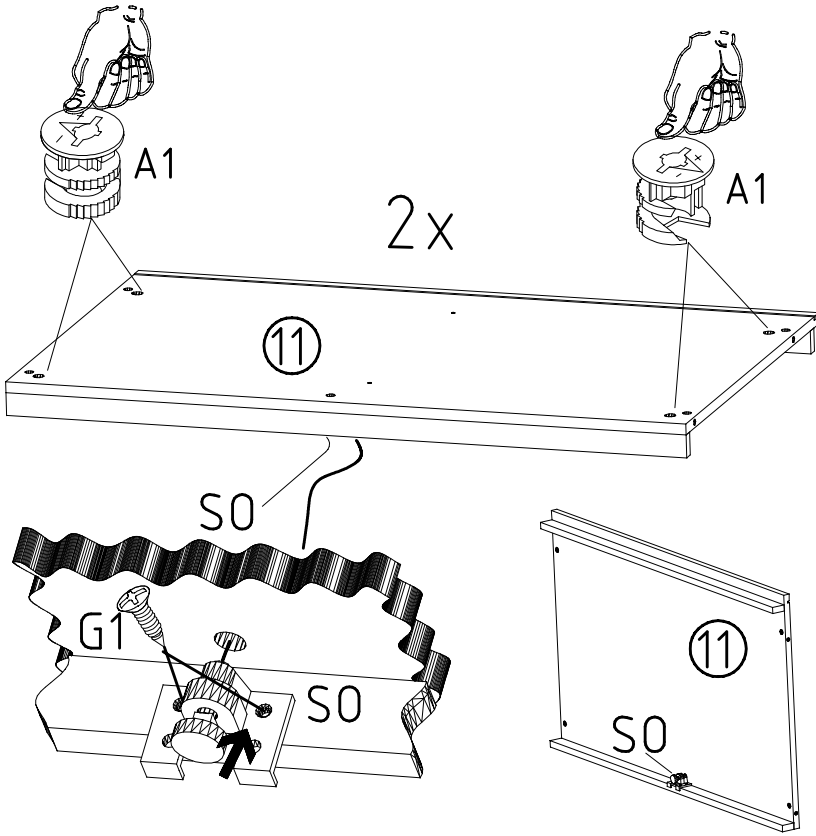


111 300

A1

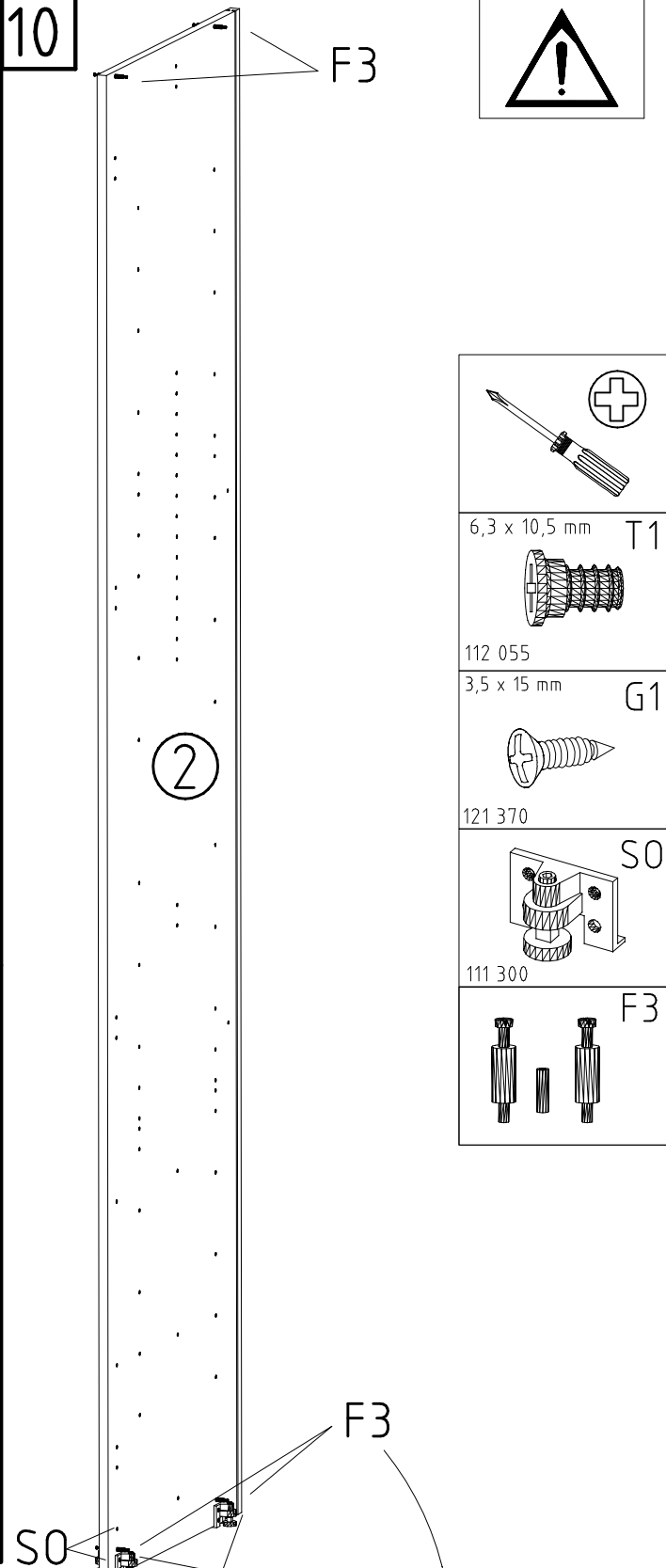
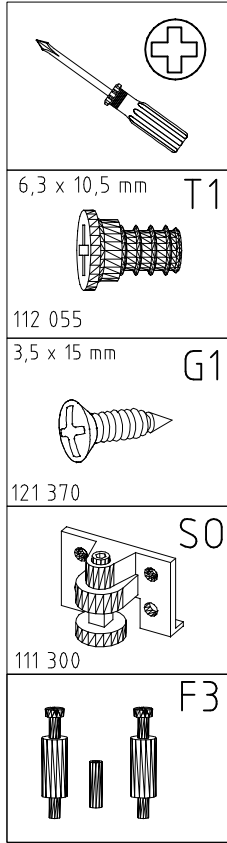


111 xxx



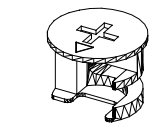
10

F3

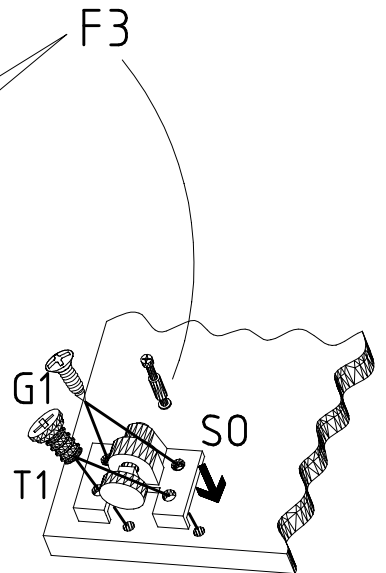
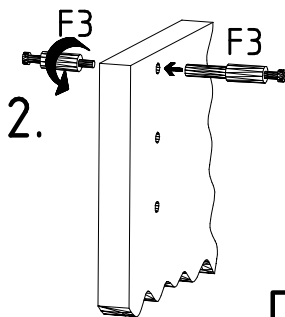
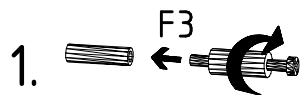
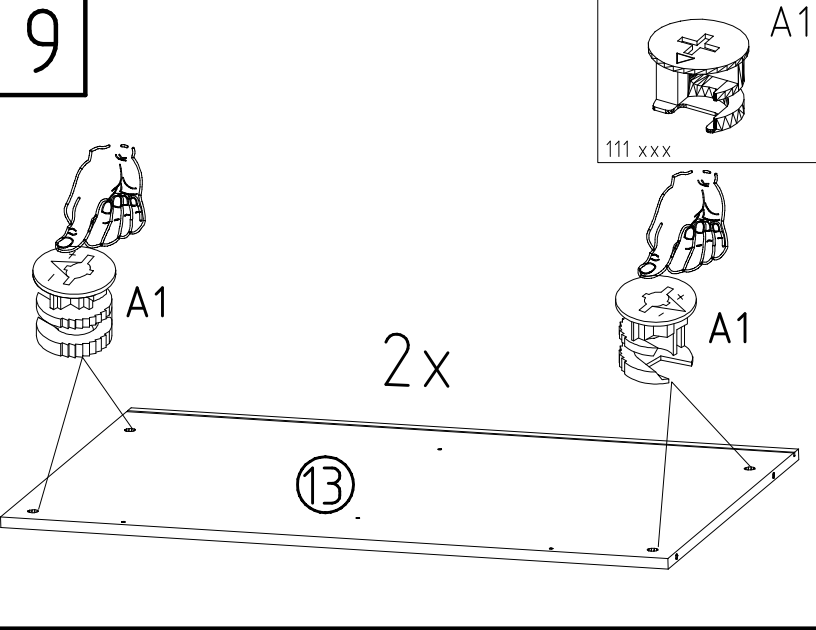


9

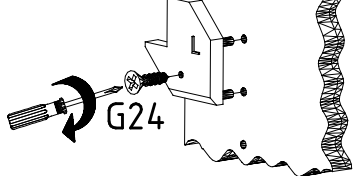
A1



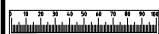
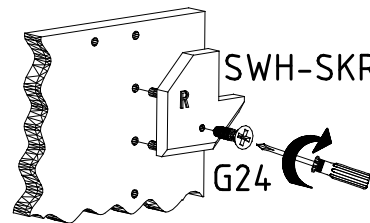
111 xxx



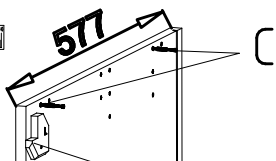
SWH-SKL



SWH-SKR



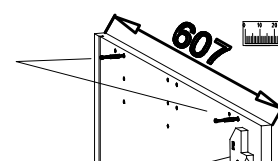
577



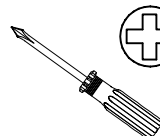
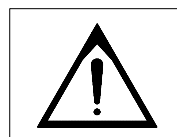
SWH-SKL +G24



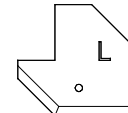
607



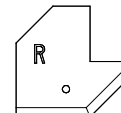
SWH-SKR +G24



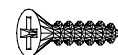
SWH-SKL



SWH-SKR

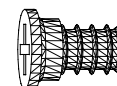


3,5 x 22 mm G24



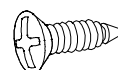
121 004

6,3 x 10,5 mm T1

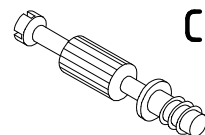


112 055

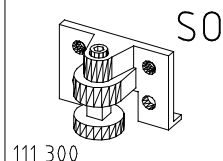
3,5 x 15 mm G1



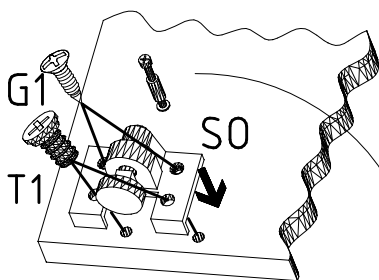
121 370



111 103



111 300



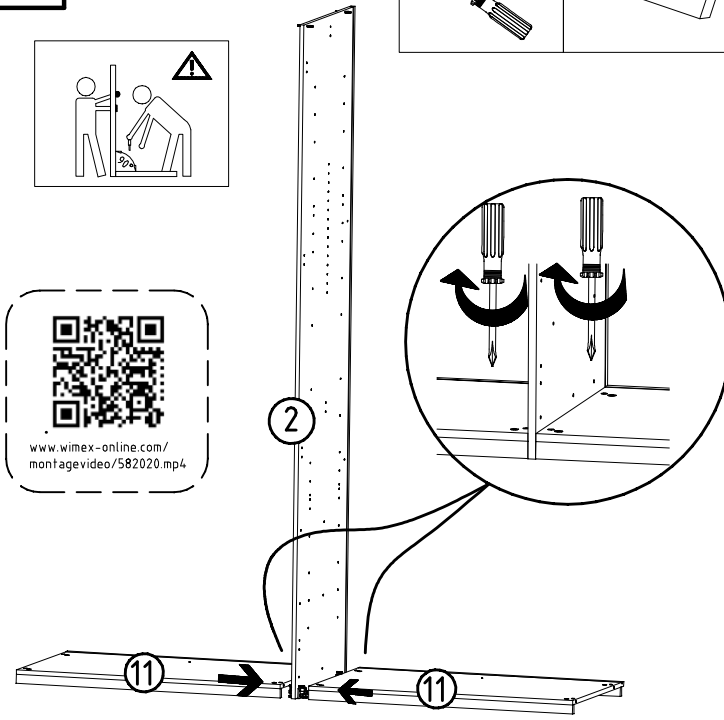
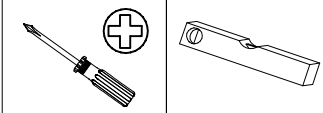
1

3

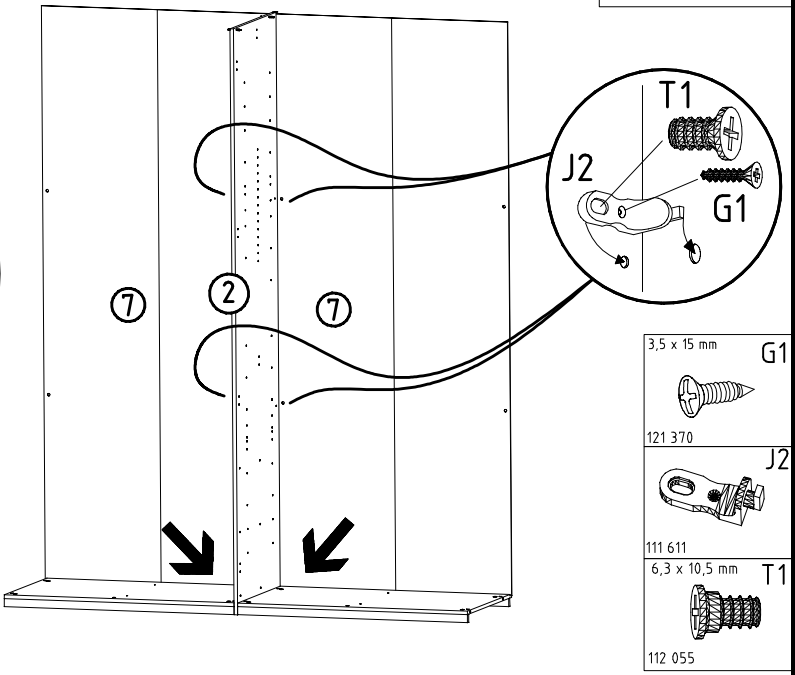
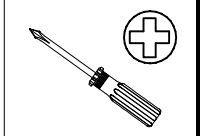
SO

SO

12



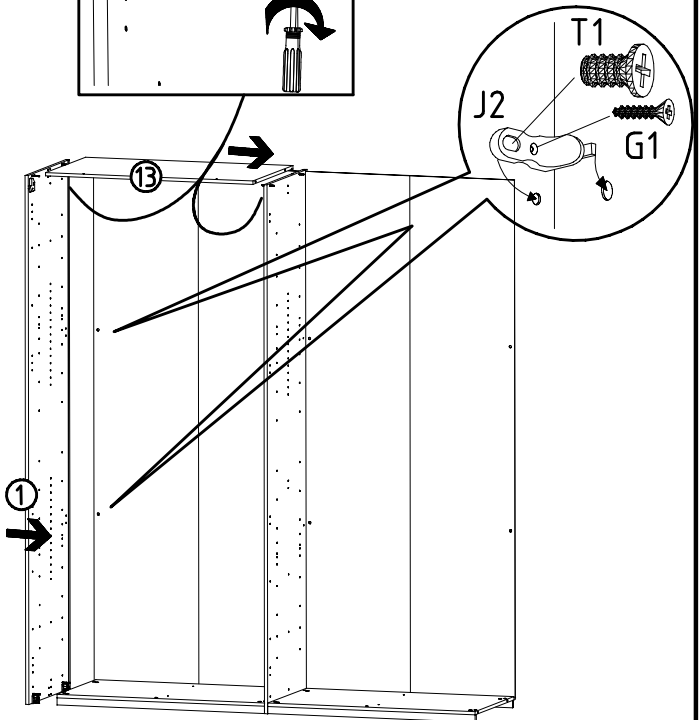
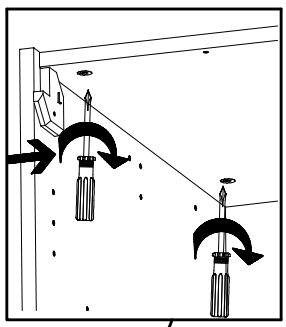
13



- 3,5 x 15 mm G1
- 121 370
- J2
- 111 611
- 6,3 x 10,5 mm T1
- 112 055

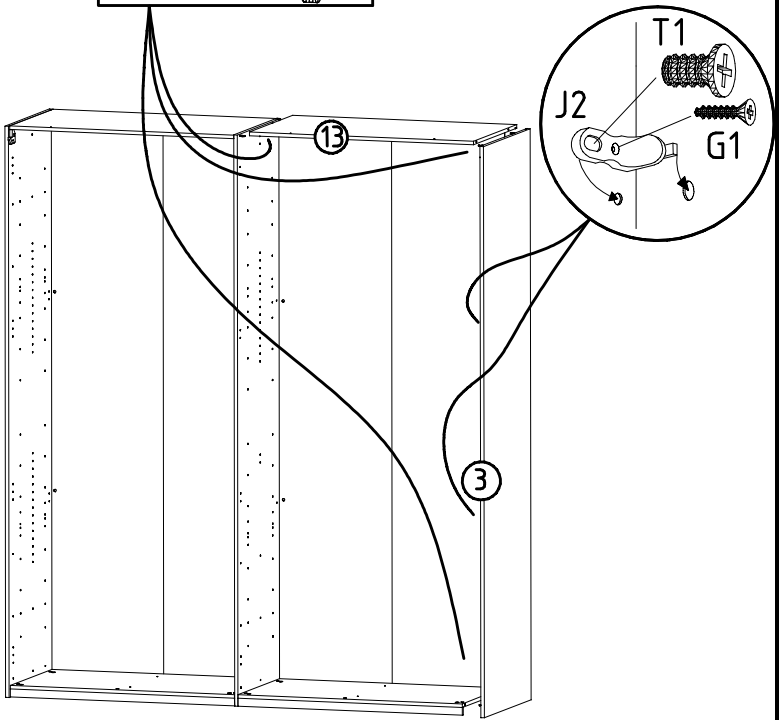
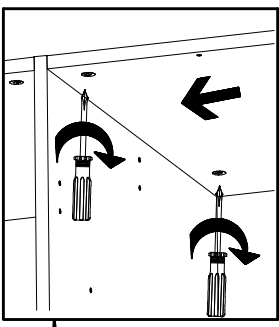
14


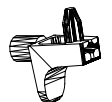
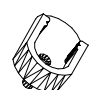
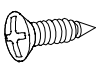
- 3,5 x 15 mm G1
- 121 370
- J2
- 6,3 x 10,5 mm T1
- 112 055
- 111 611

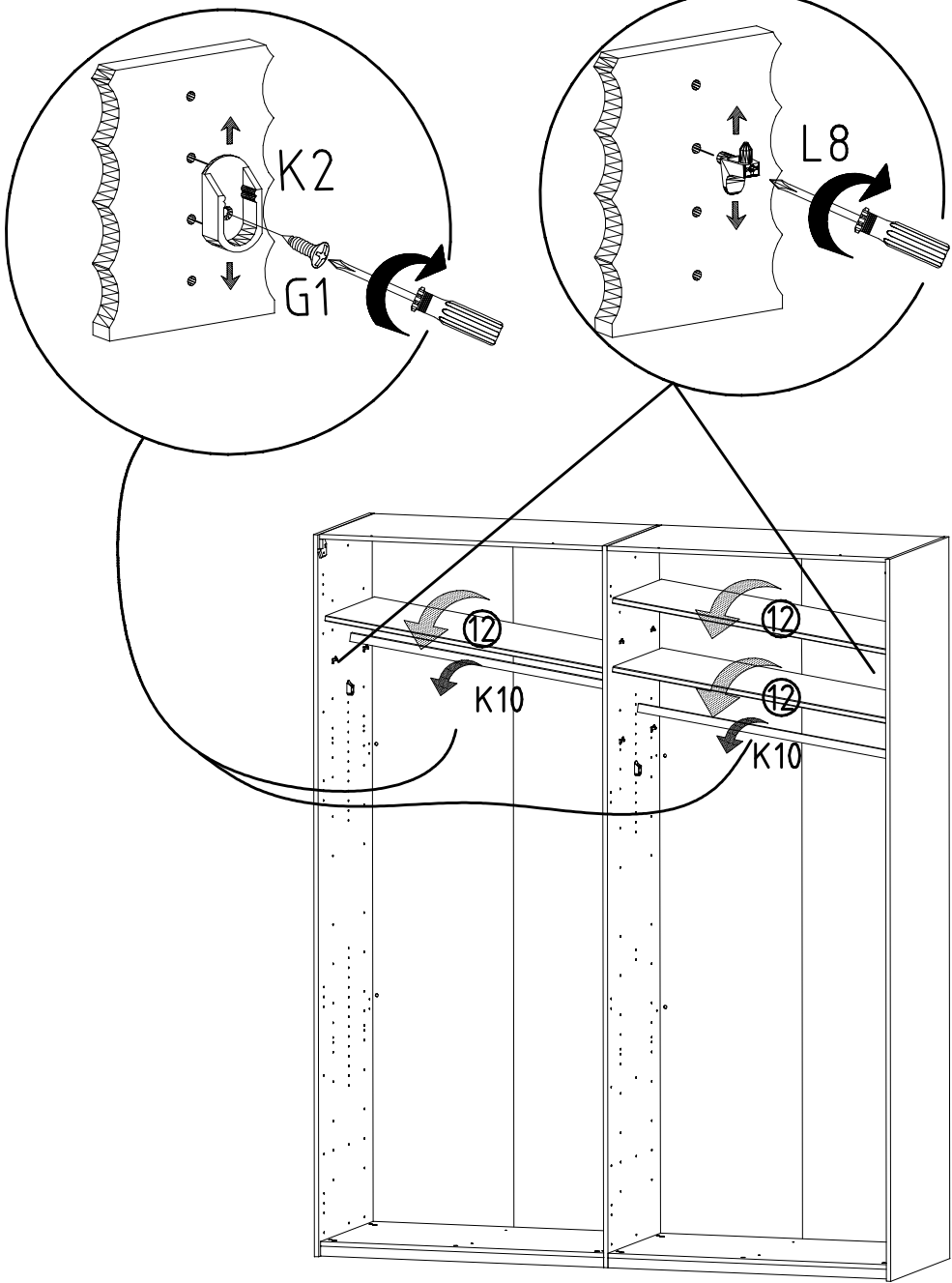


15

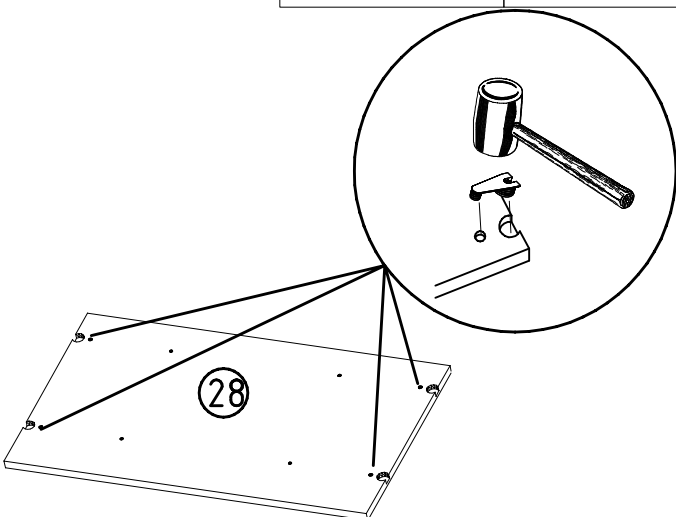
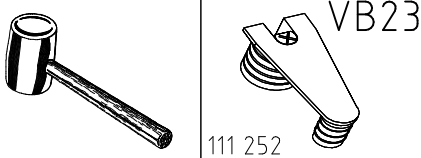
- 3,5 x 15 mm G1
- 121 370
- J2
- 6,3 x 10,5 mm T1
- 112 055
- 111 611



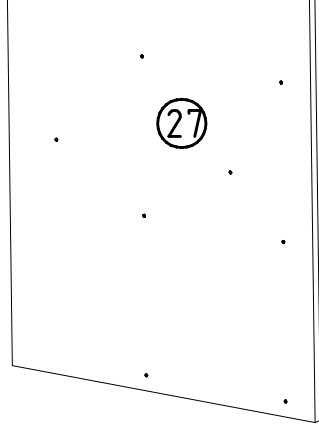
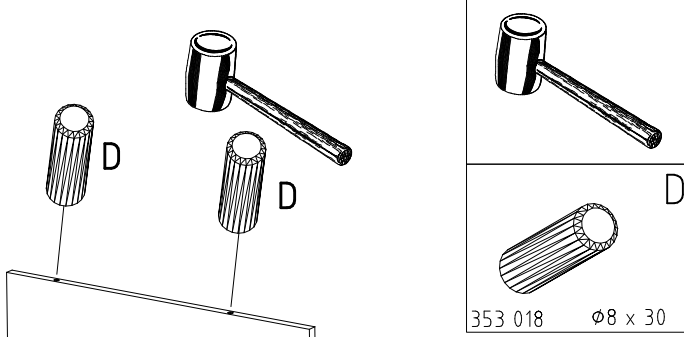
		L8
	111 607	
		K2
	117 002	
	3,5 x 15 mm	G1
		
	121 370	K10
	100cm	
	112 400	



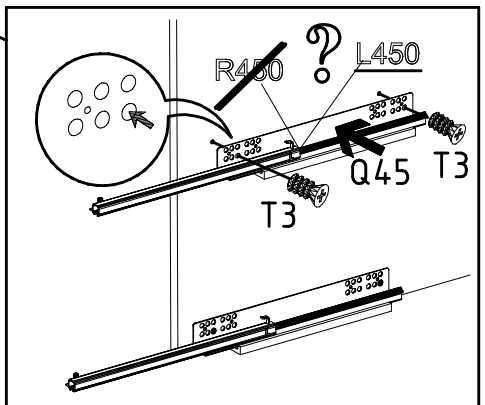
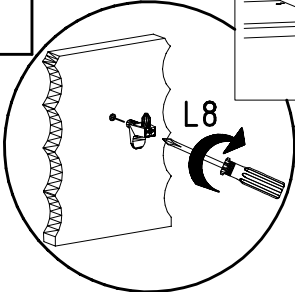
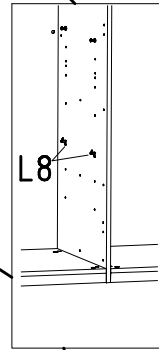
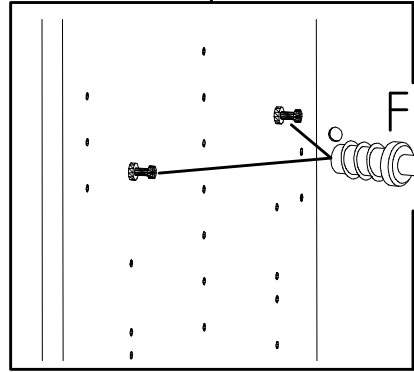
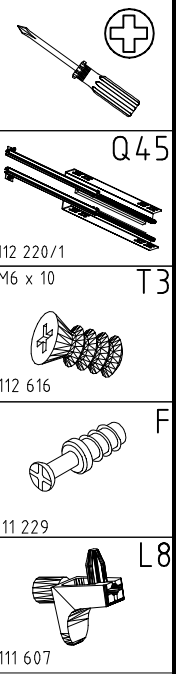
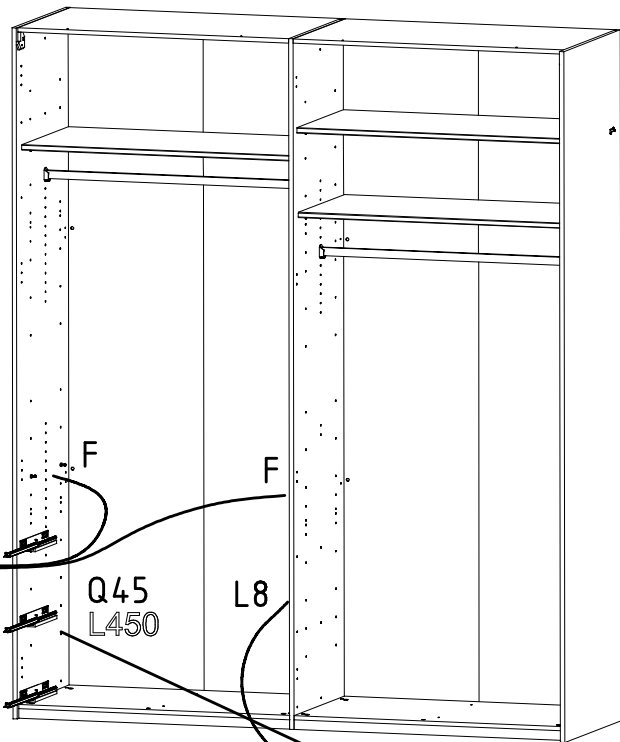
17



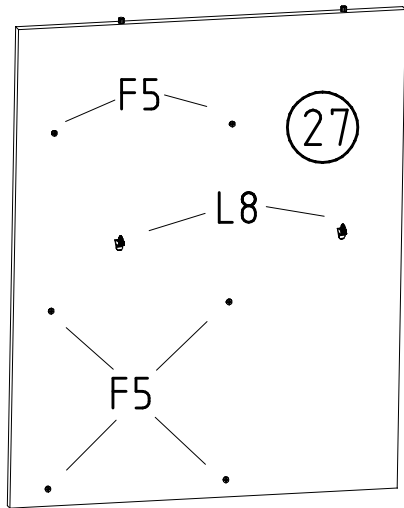
18



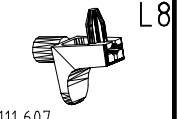
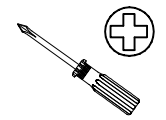
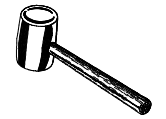
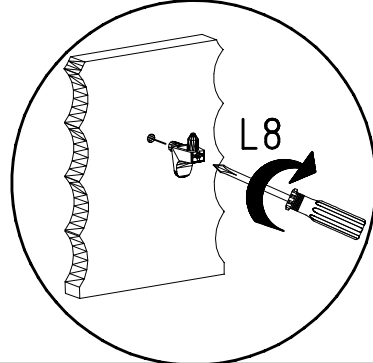
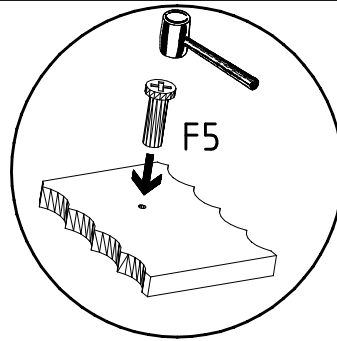
19



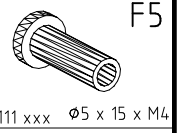
20



=27R



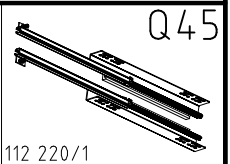
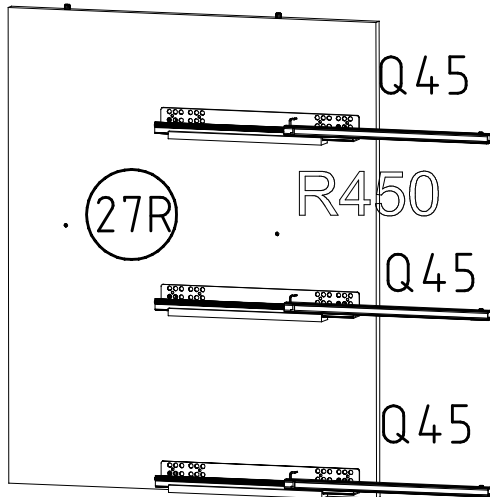
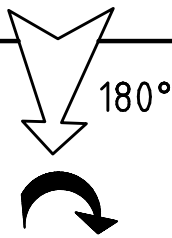
111 607



F5

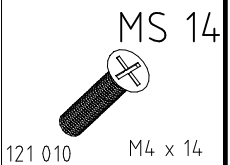
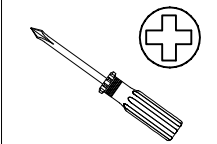
111 xxx $\phi 5 \times 15 \times M4$

21



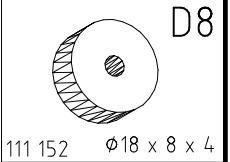
Q45

112 220/1



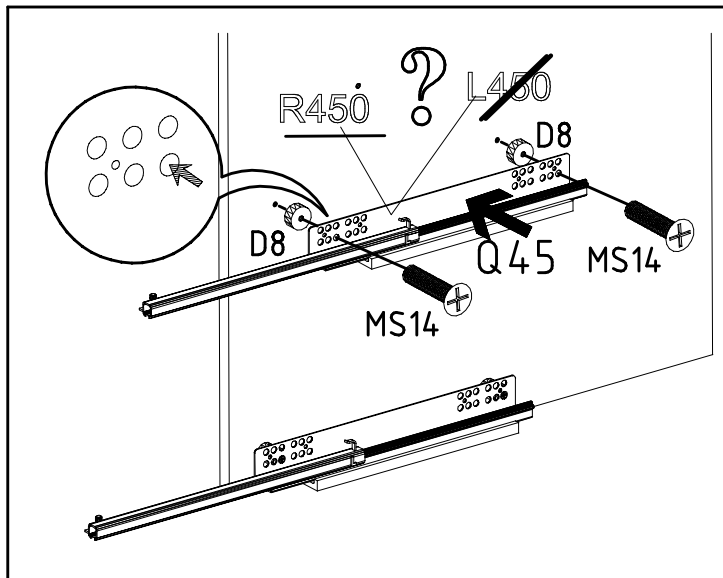
MS 14

121 010 M4 x 14

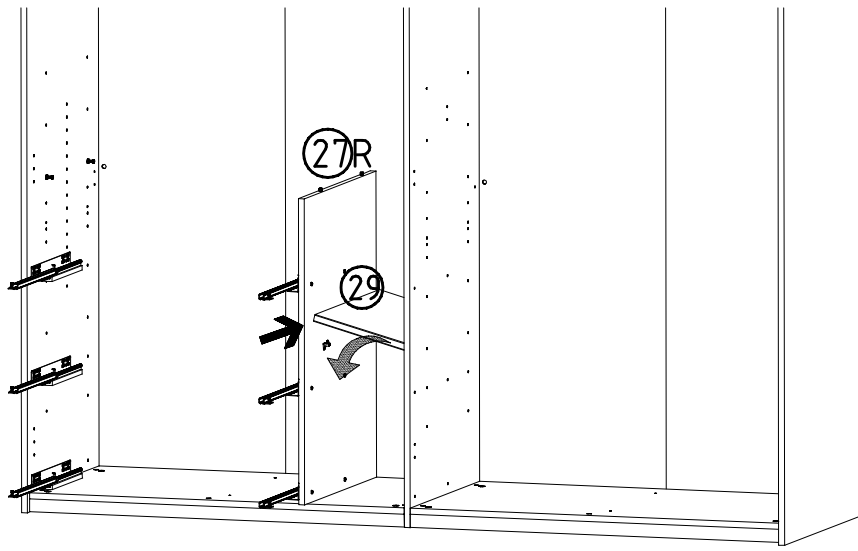


D8

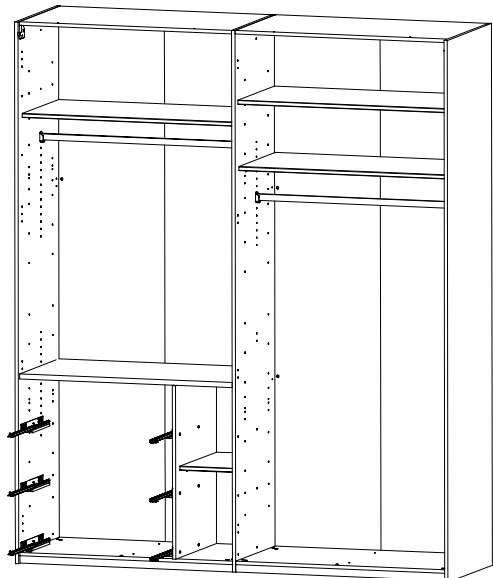
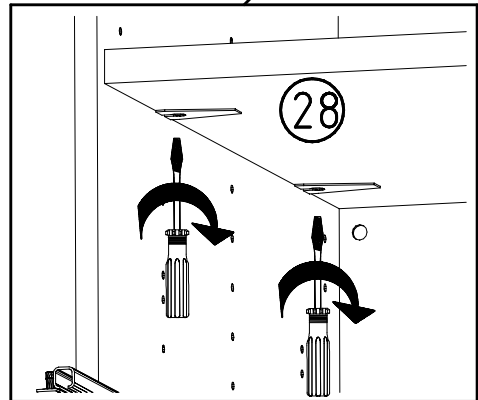
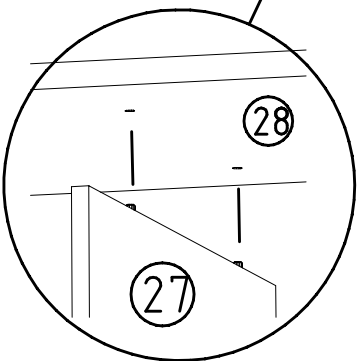
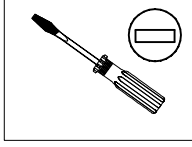
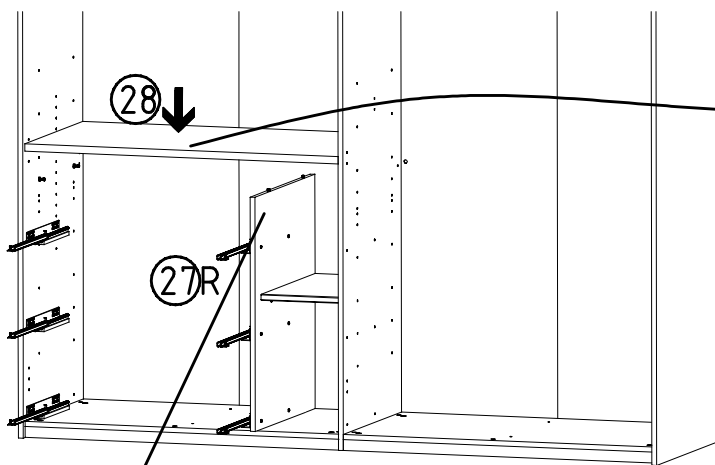
111 152 $\phi 18 \times 8 \times 4$



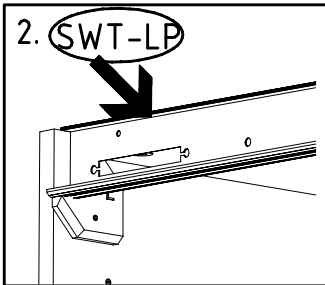
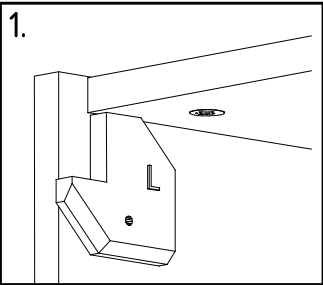
22



23

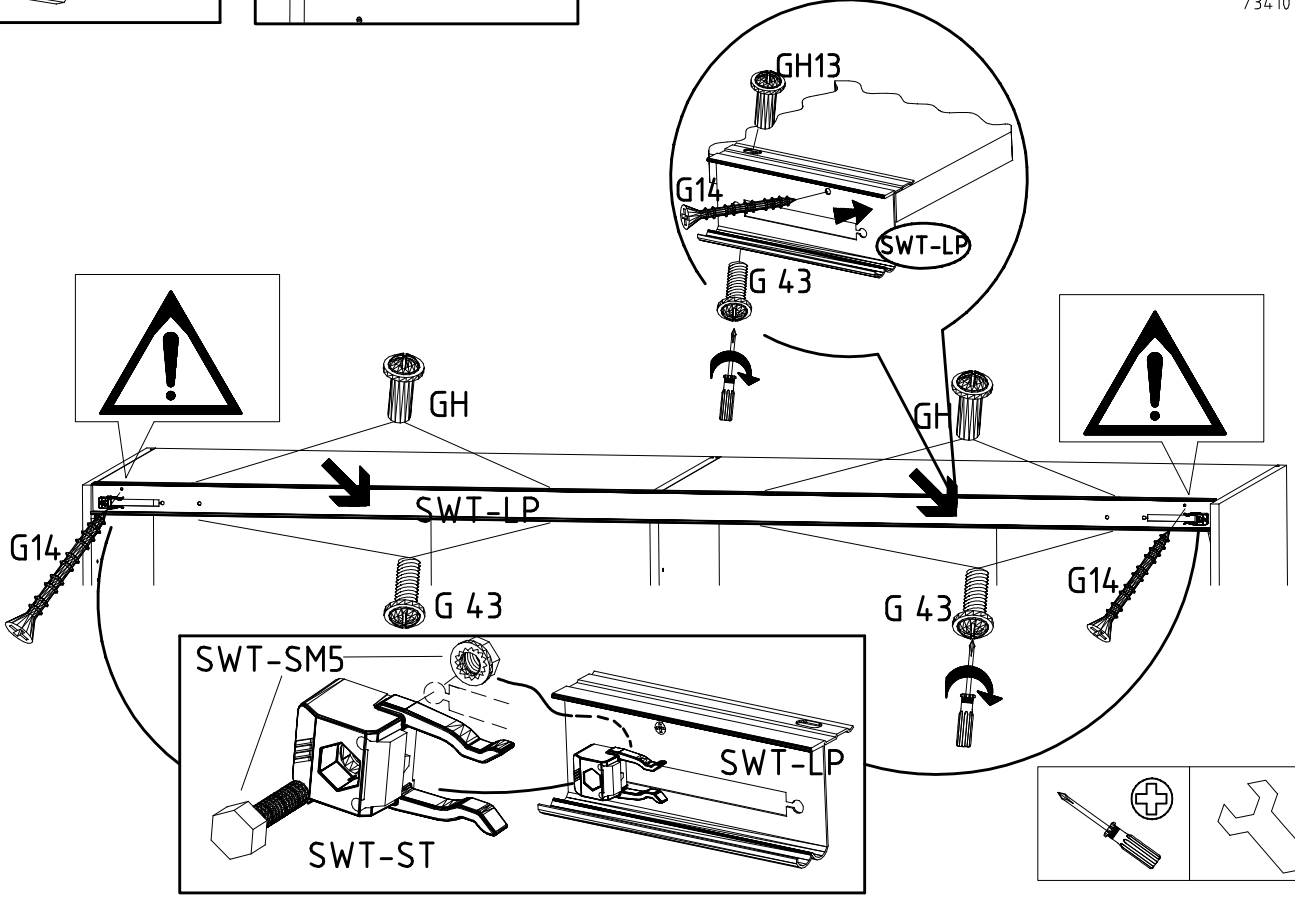


24

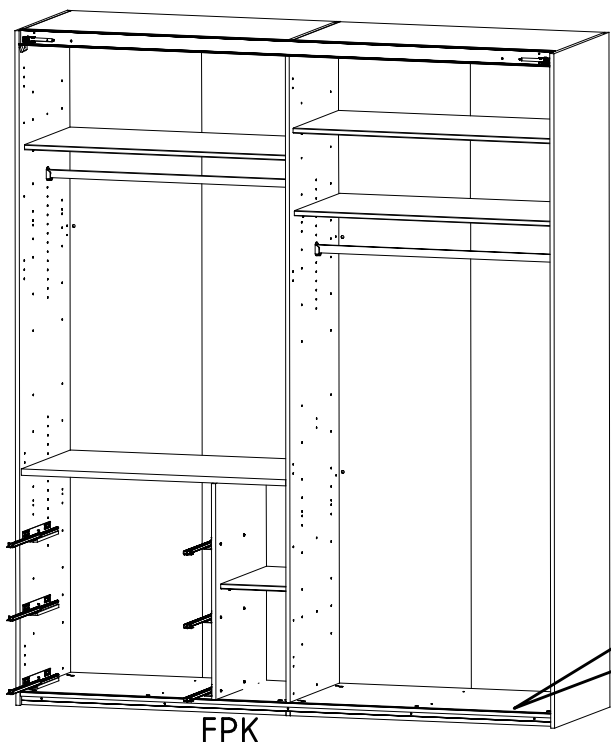


M4 x 10 mm G43 121 xxx	M4 x 13 mm GH13 121 xxx	3,5 x 35 mm G14 121 375	SWT-ST 	SWT-SM5
------------------------------	-------------------------------	-------------------------------	------------	-------------

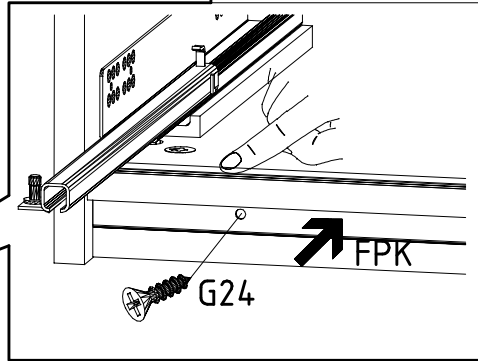
SWT-LP
1453/1940/2430/2920
/3410 SY



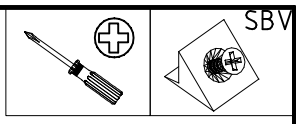
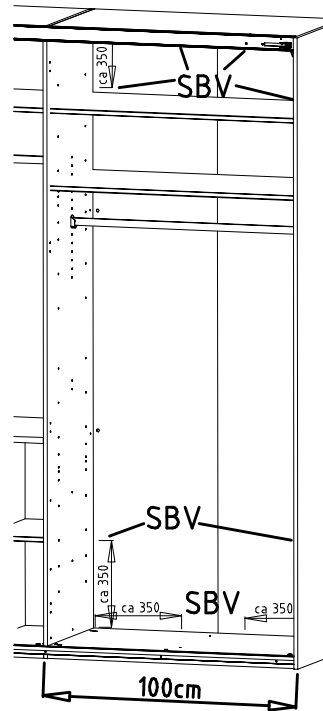
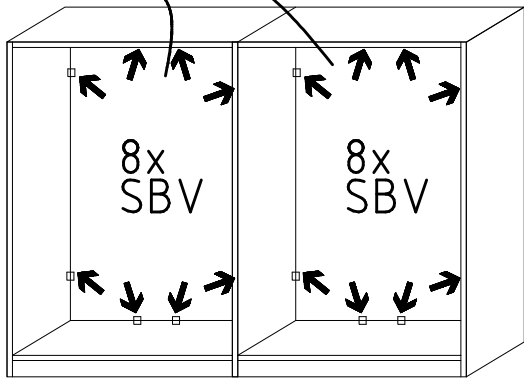
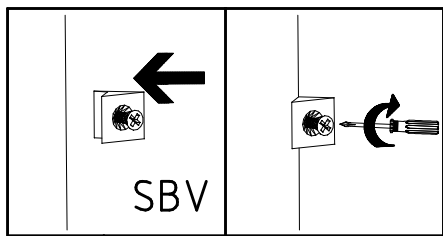
25



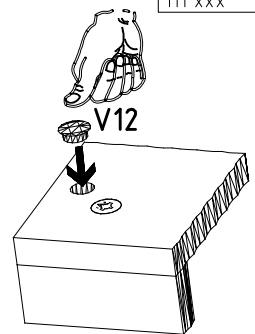
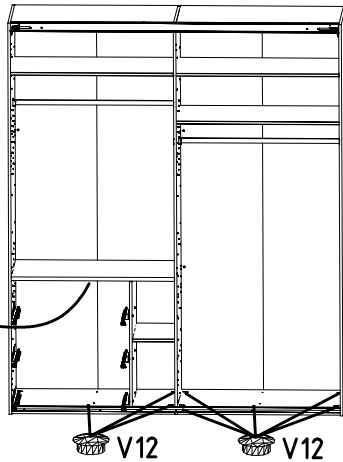
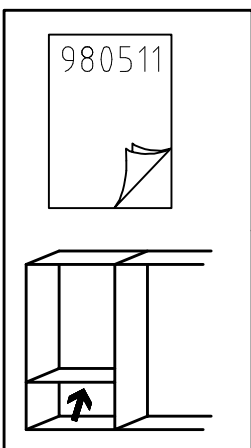
FPK 1453/1940/2430/2920/3408
3,5 x 22 mm G24 121 004



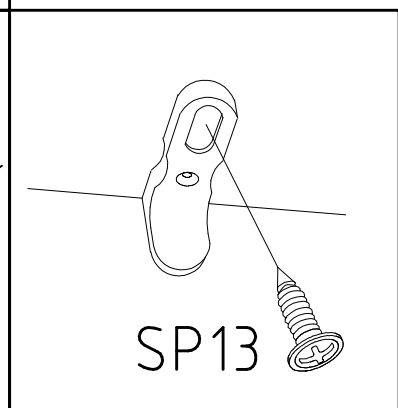
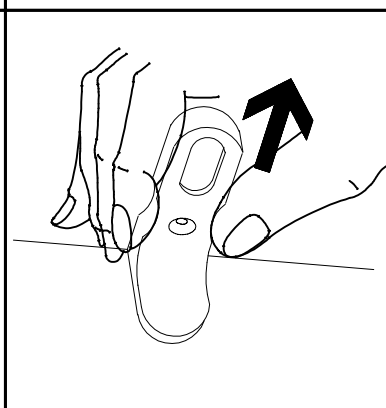
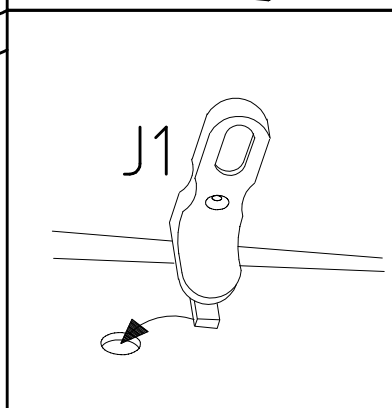
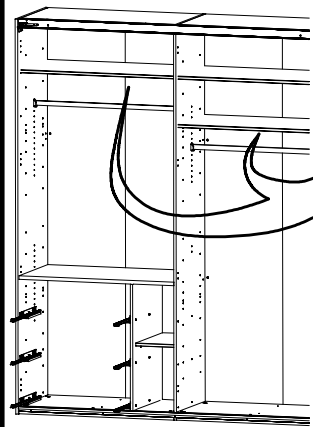
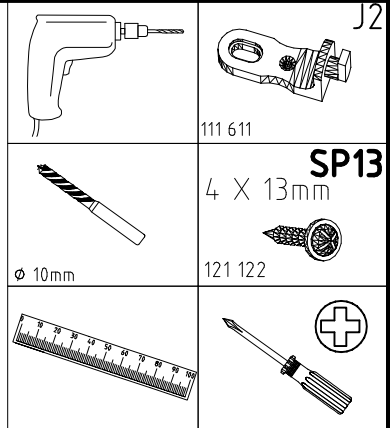
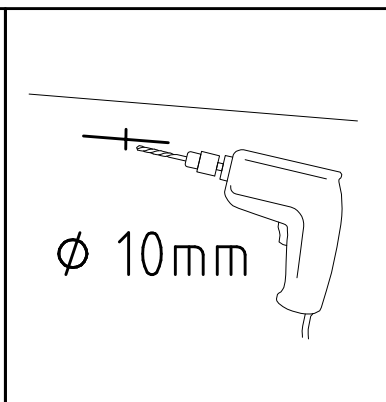
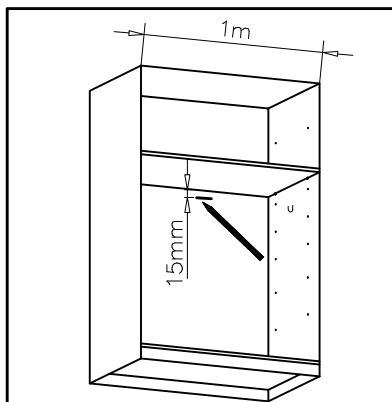
26



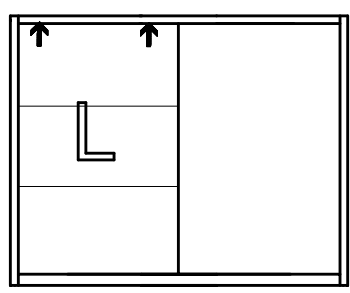
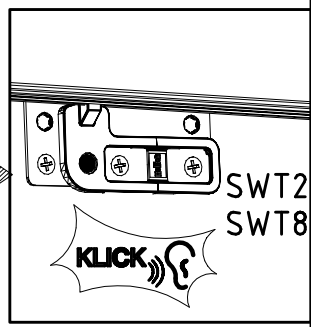
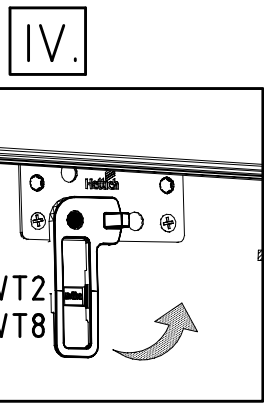
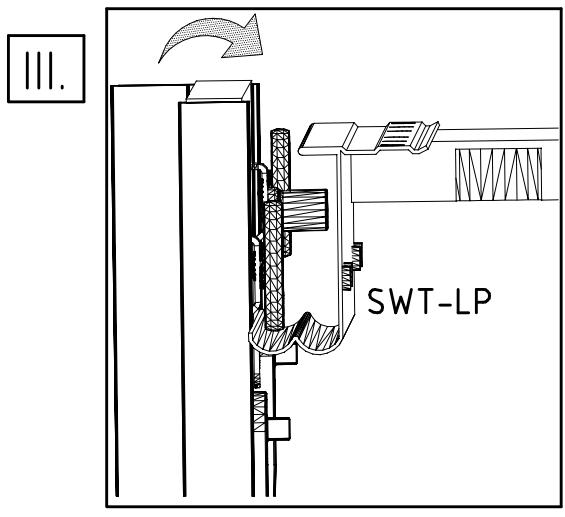
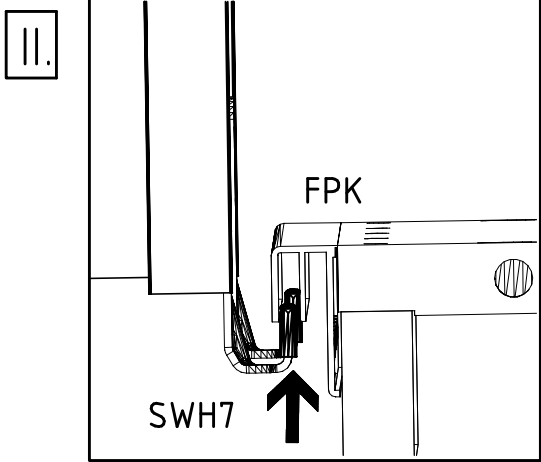
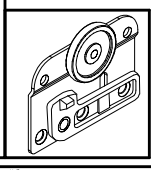
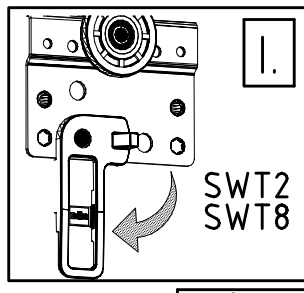
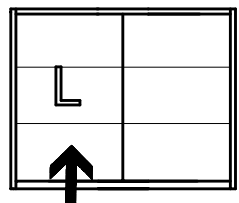
27



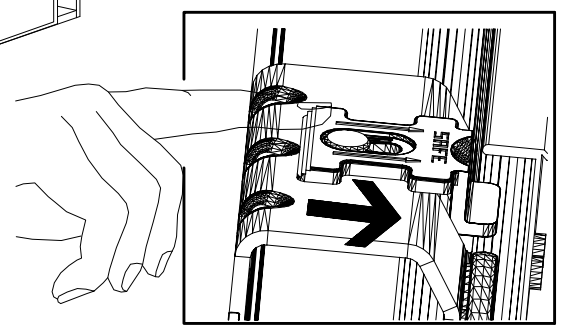
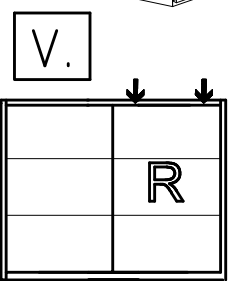
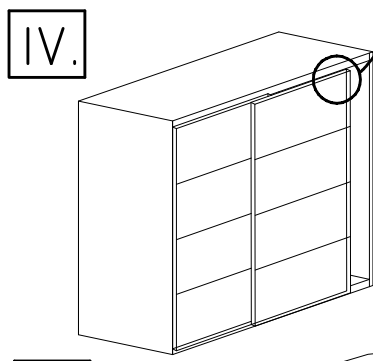
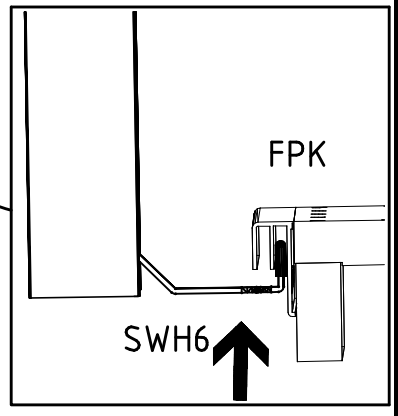
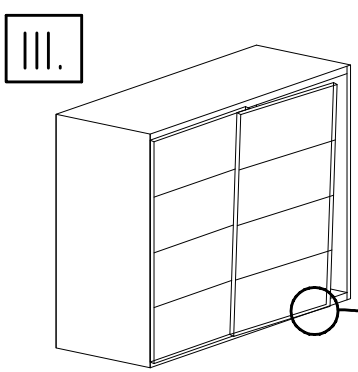
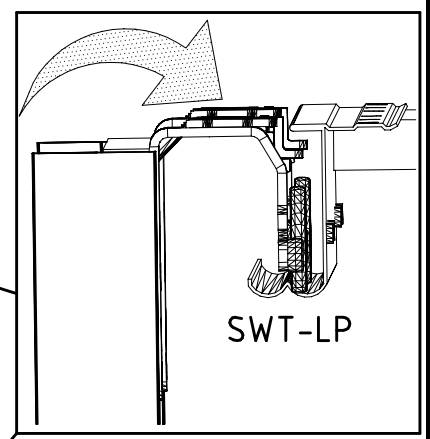
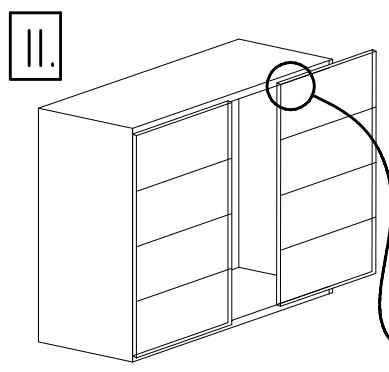
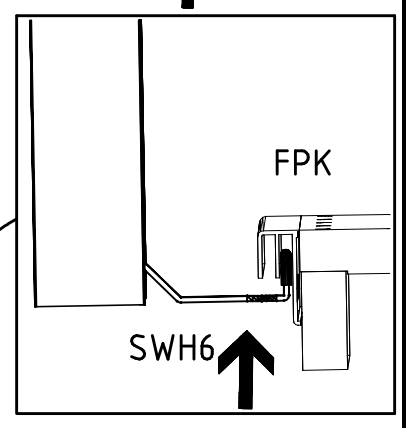
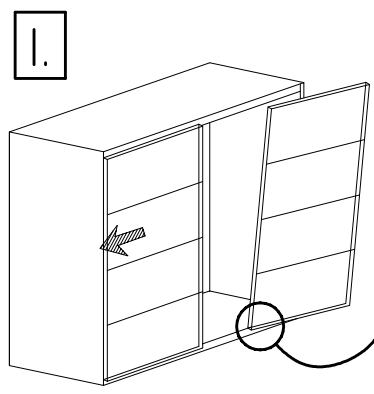
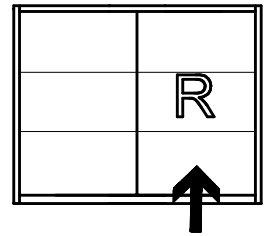
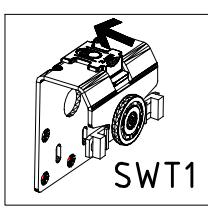
28



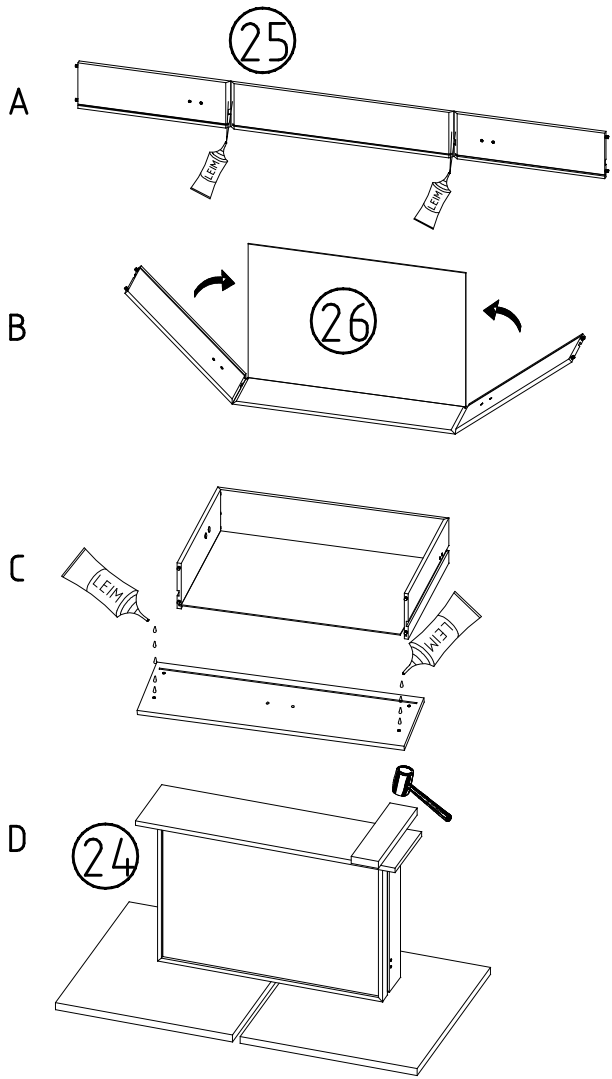
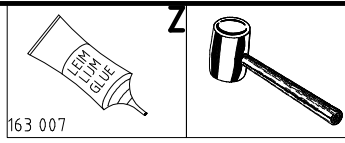
29



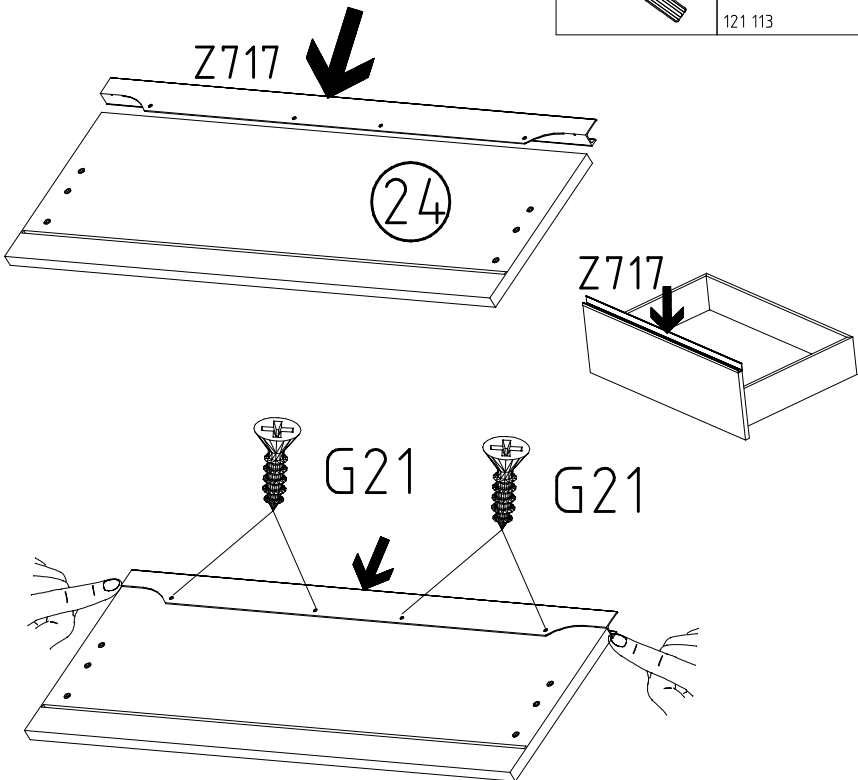
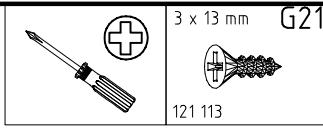
30



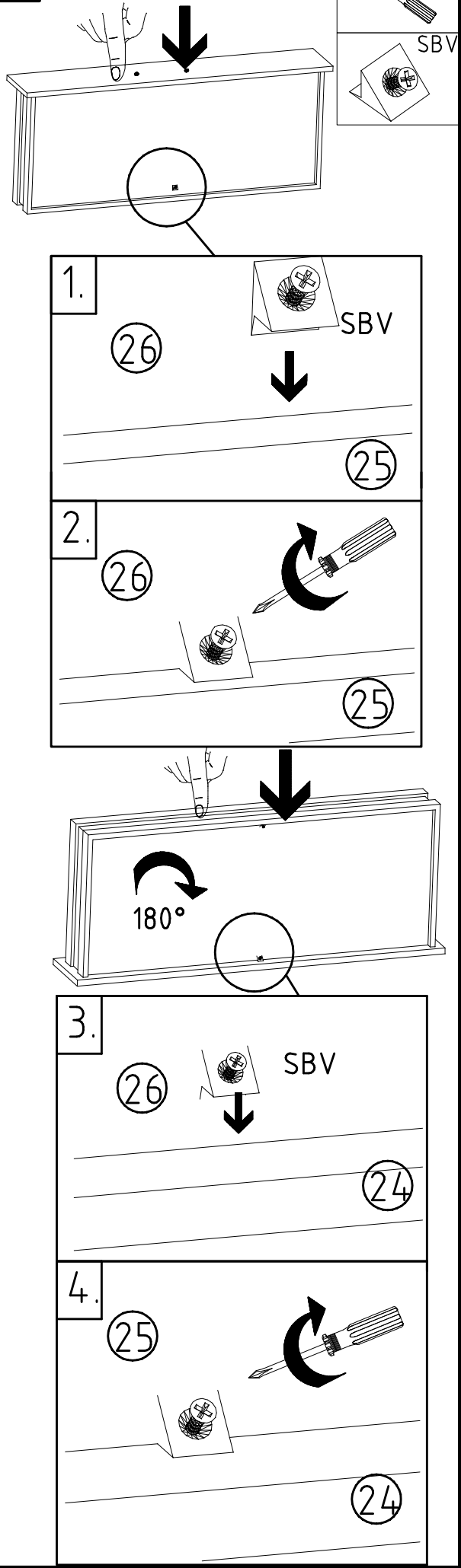
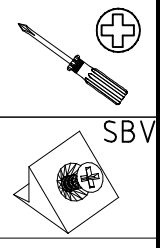
31



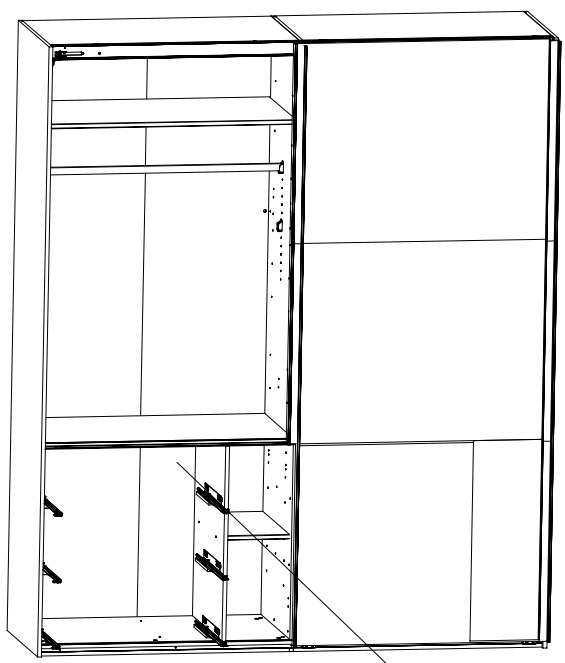
32




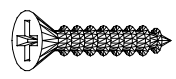
33



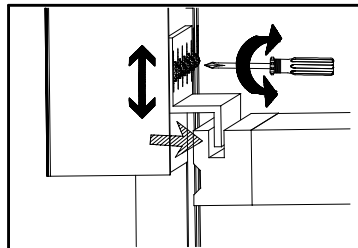
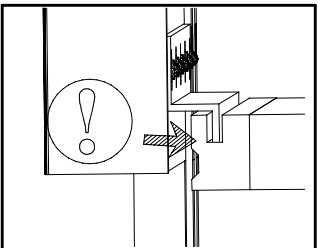
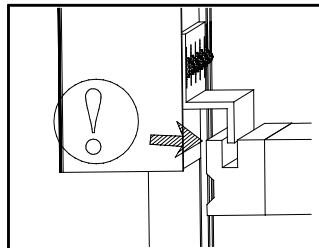
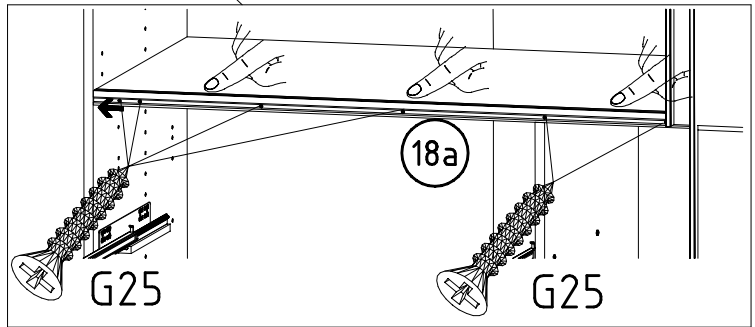
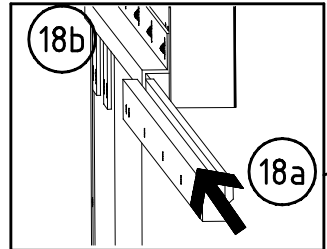
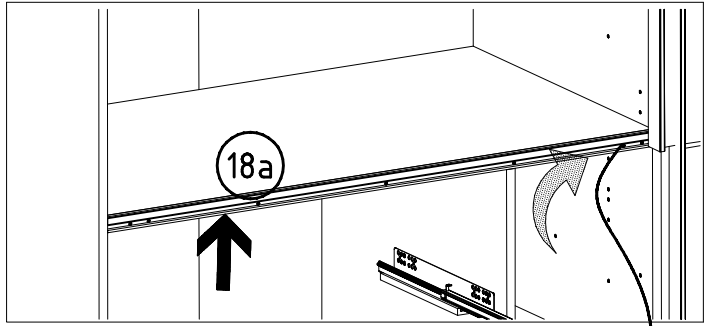
34



3,5 x 40 mm **G25**


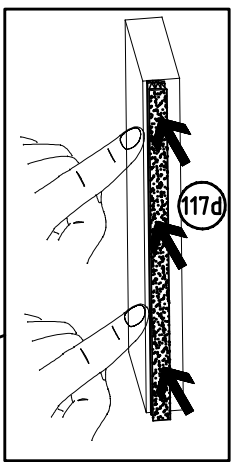
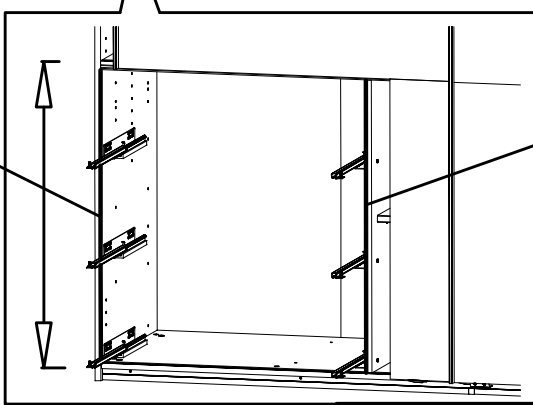
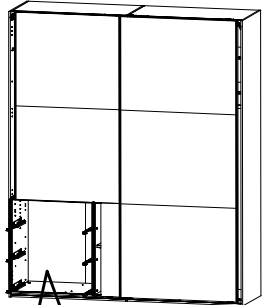
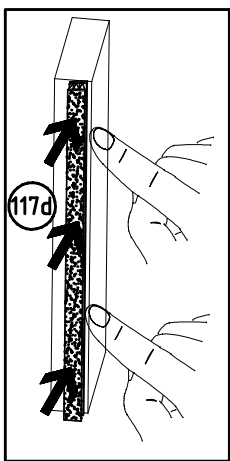
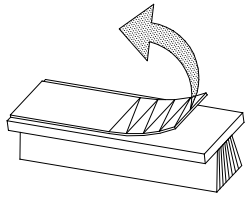



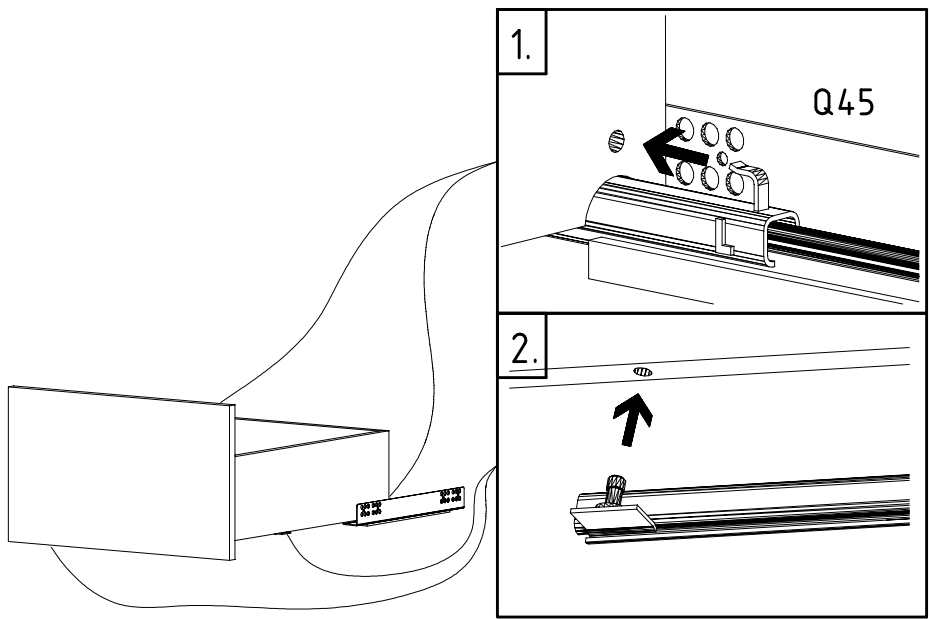
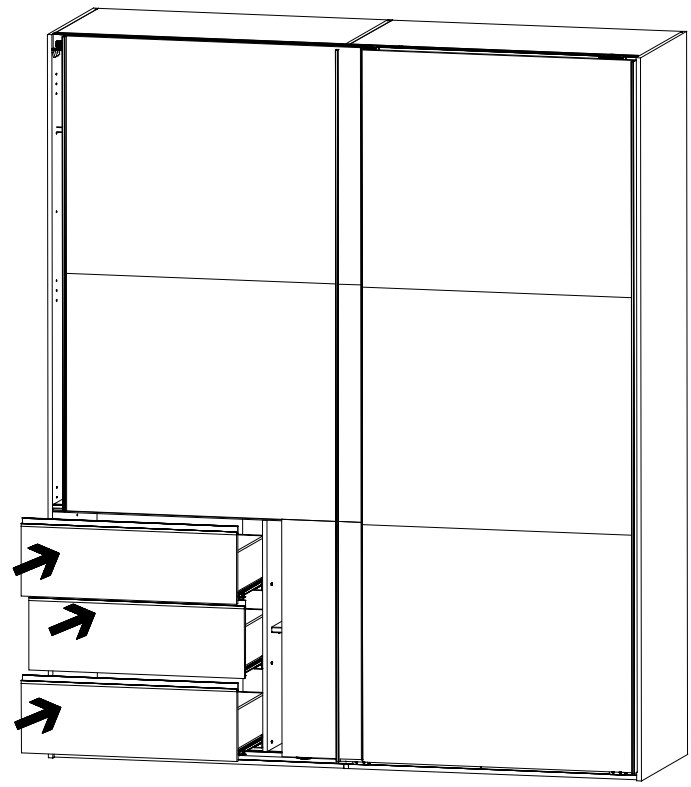
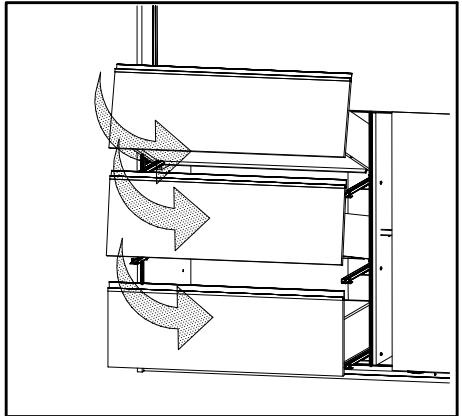
121 119

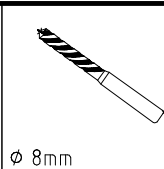
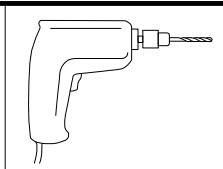


35

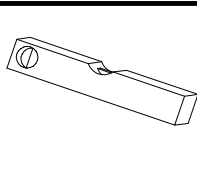
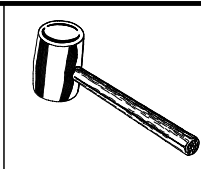
117d





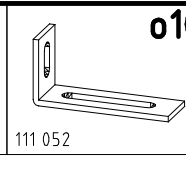
ø 8mm



SP15
4 X 15mm



121 120



111 052

