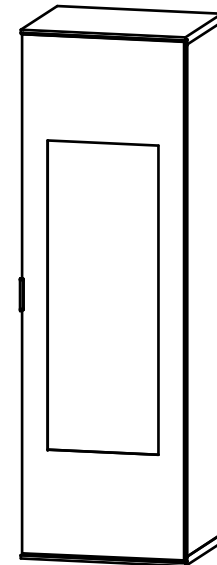
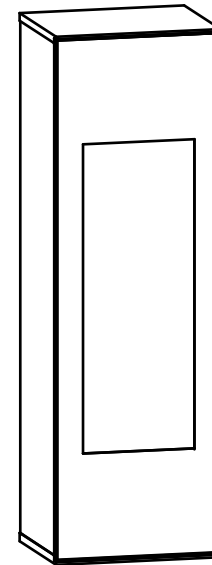
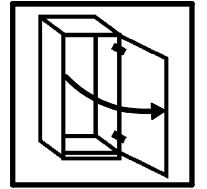
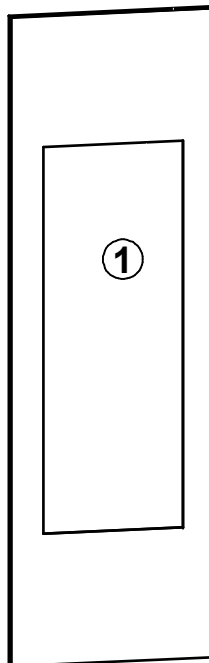
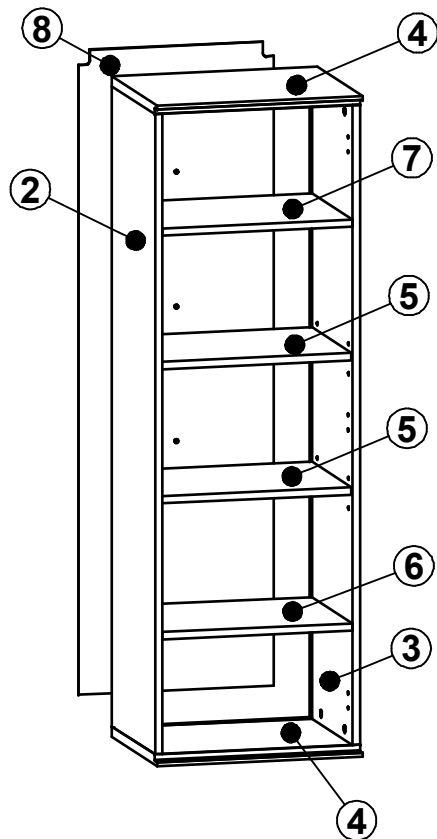


**L**



**R**

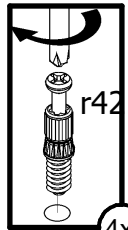




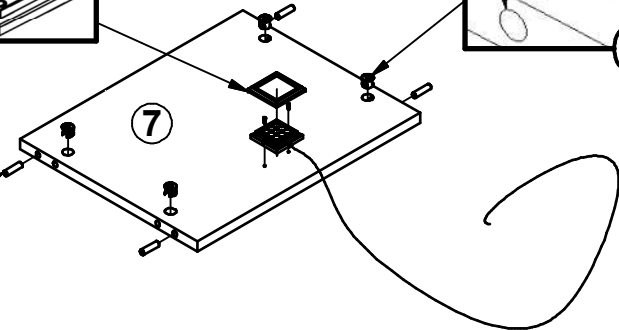
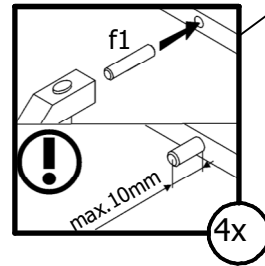
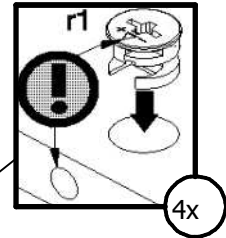
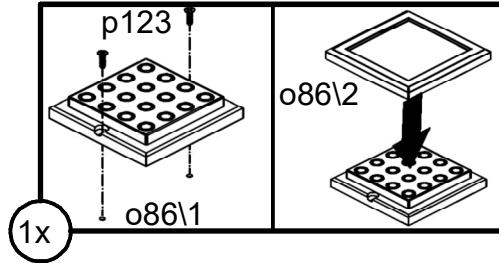
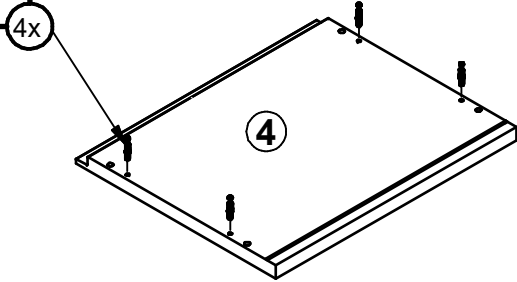
A	B	C1	C2	C3	D
1	S533-0018	1396	446	20	2/2
2	S533-1023	1376	352	16	1/2
3	S533-1024	1376	352	16	1/2
4	S533-2014	450	374	22	1/2
5	S533-3016	416	322	16	1/2
6	S533-3017	417	332	16	1/2
7	S533-3018	417	332	16	1/2
8	S533-9018	427	1386	2,5	2/2



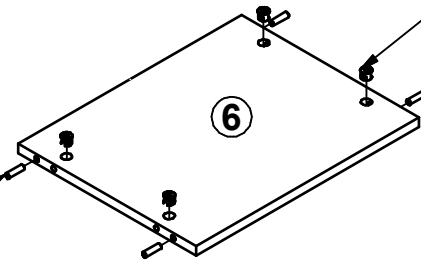
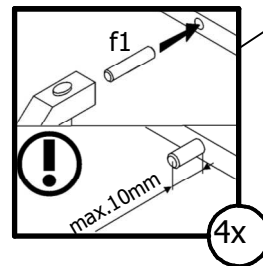
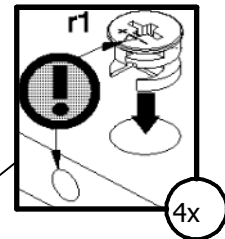
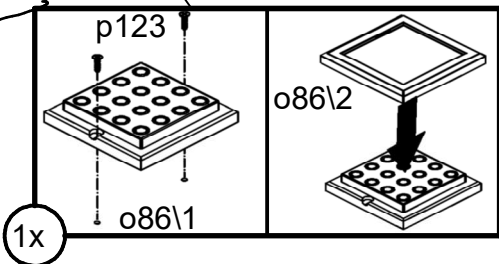
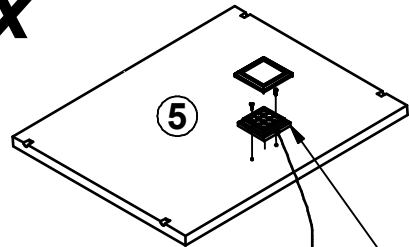


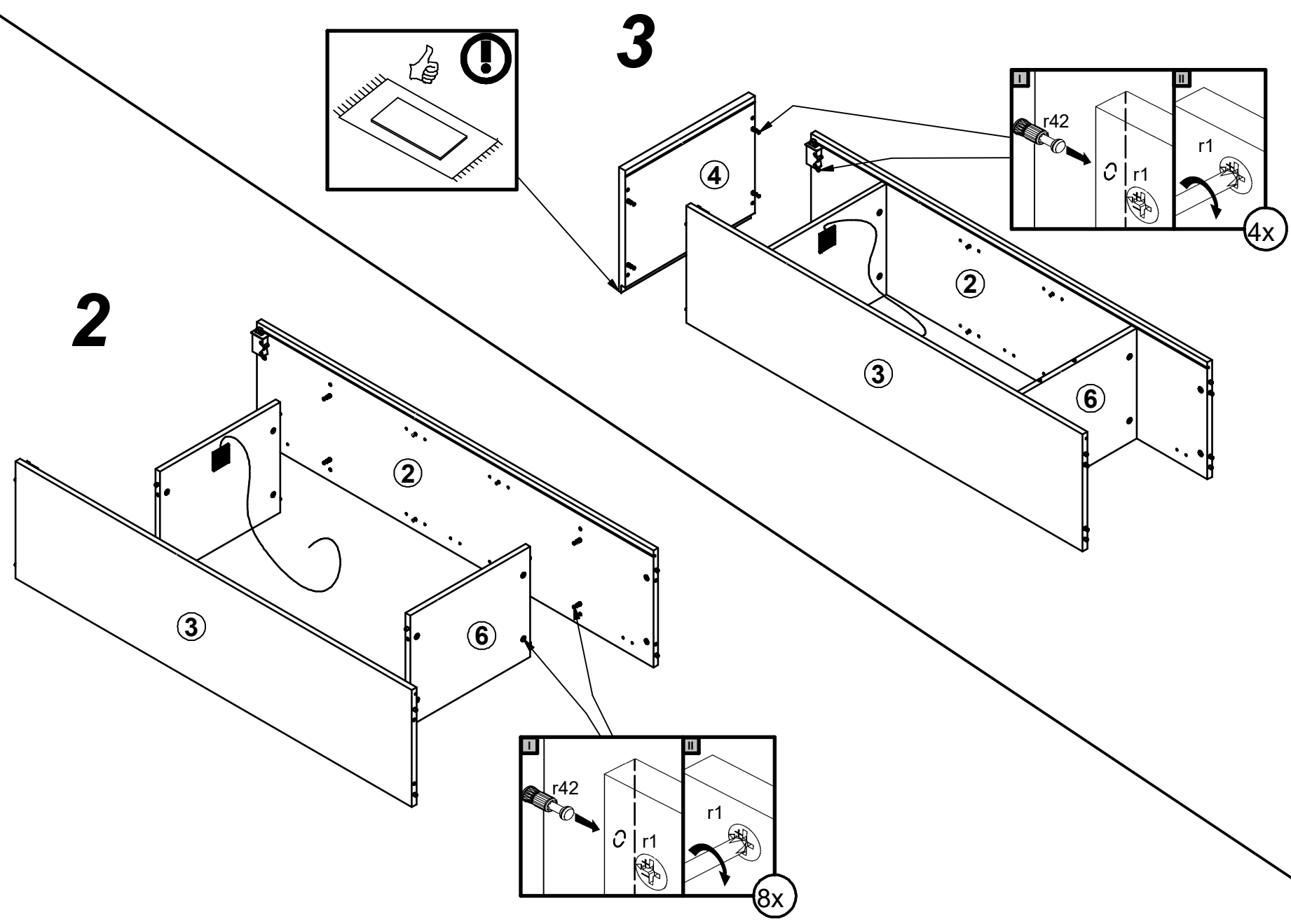


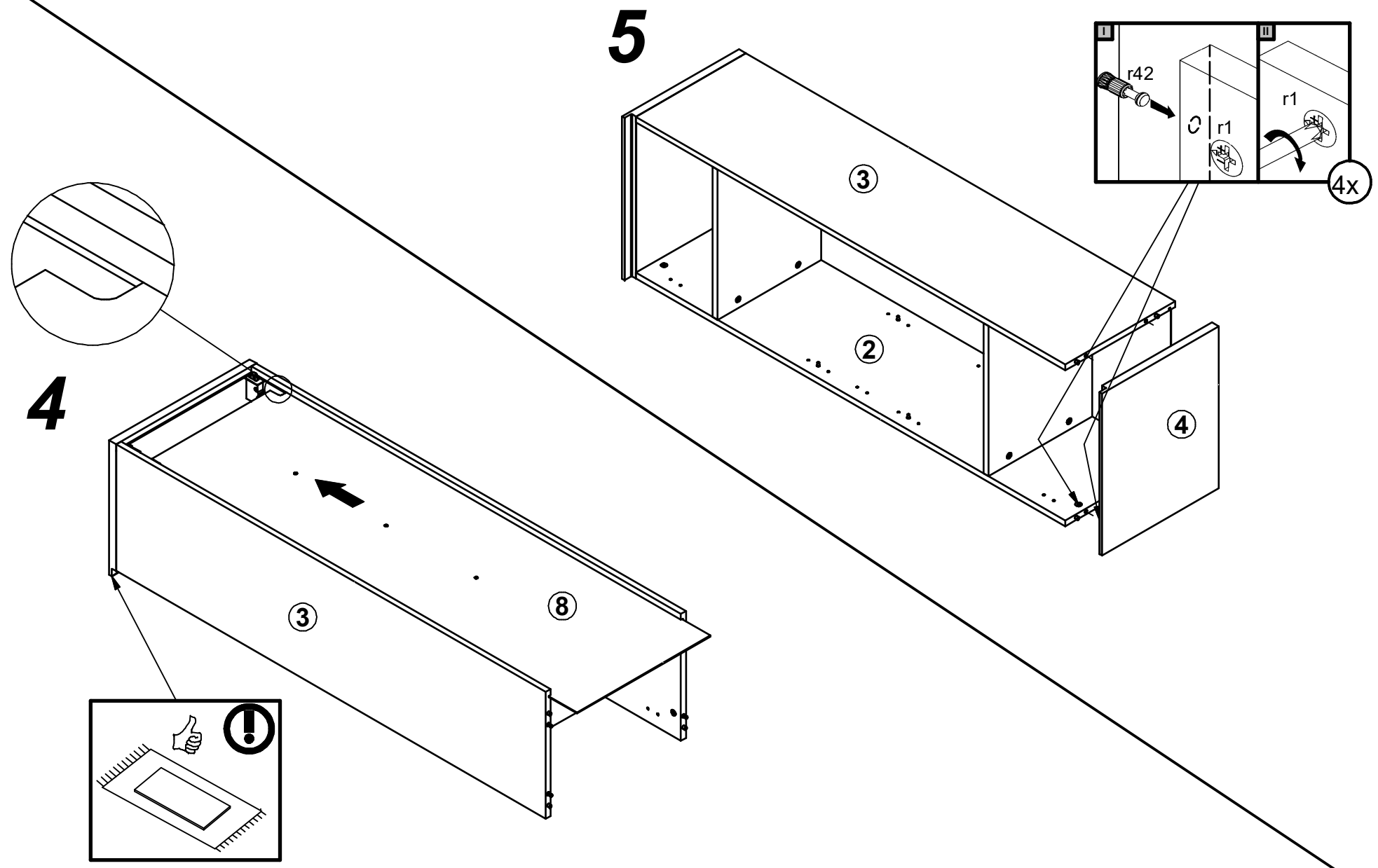
2x



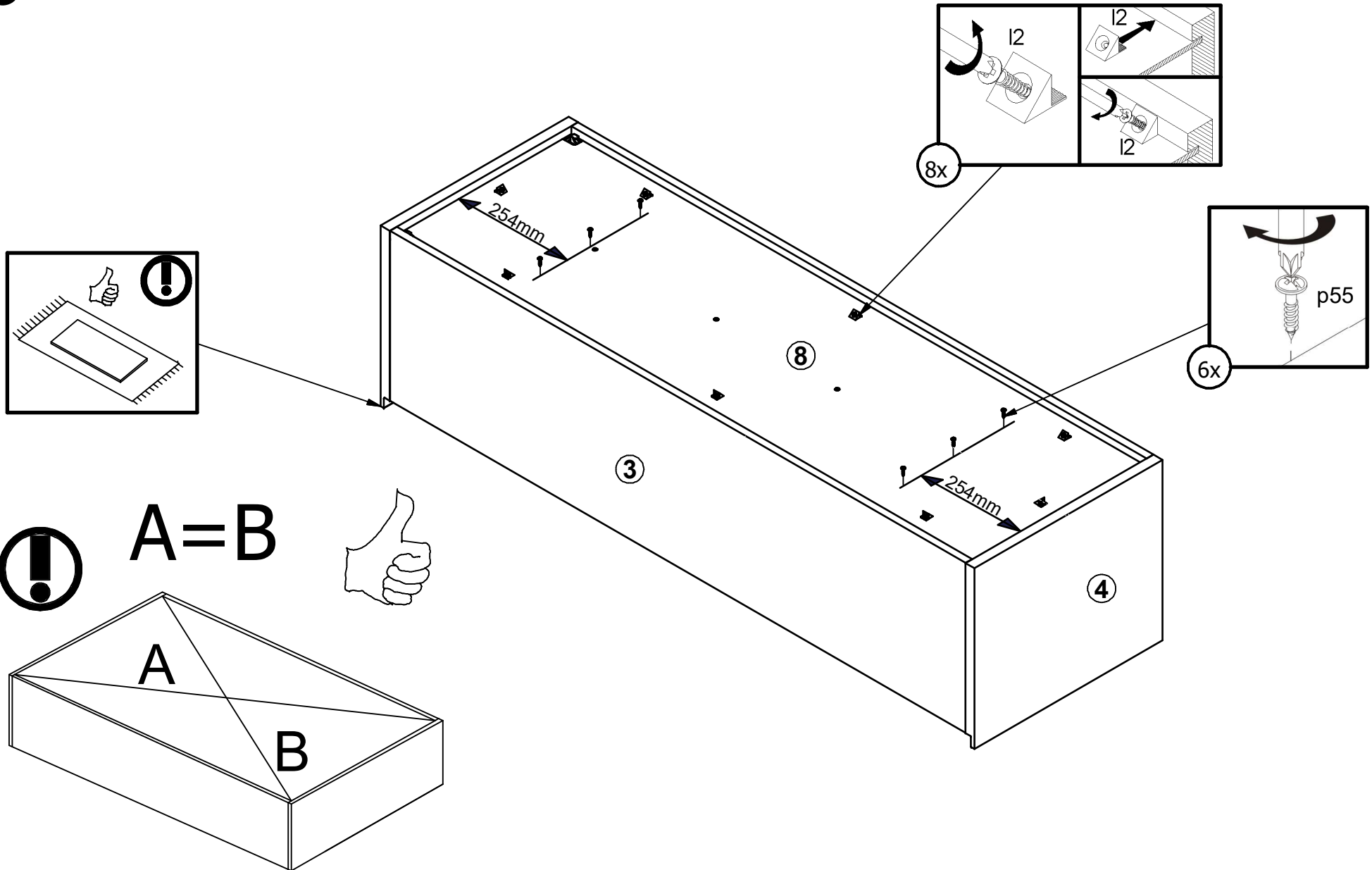
2x



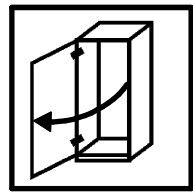




# 6



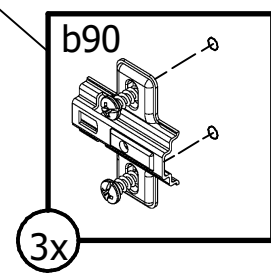
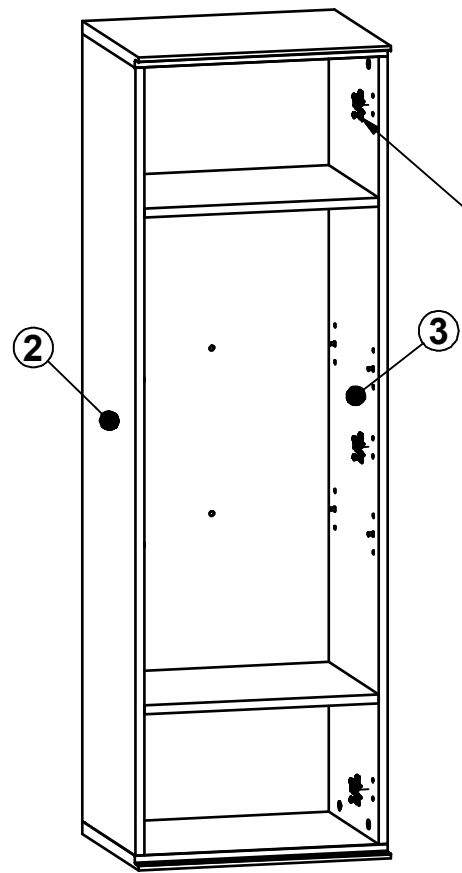
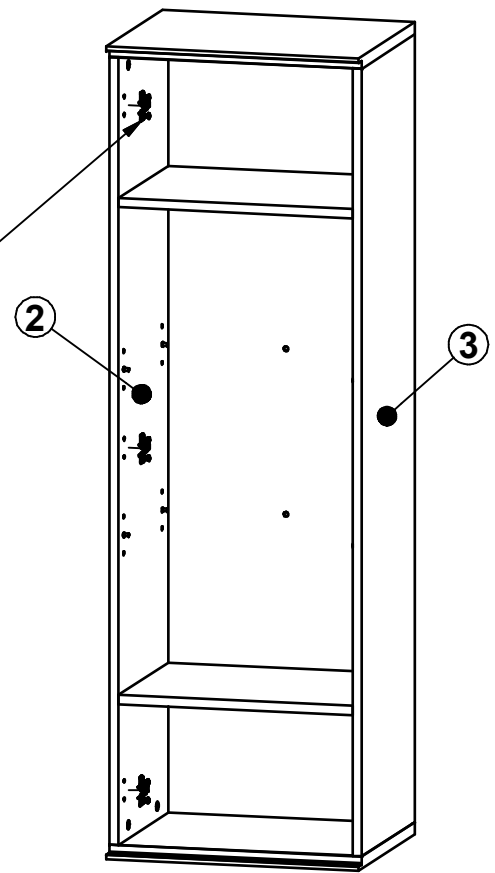
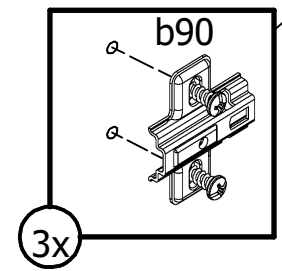
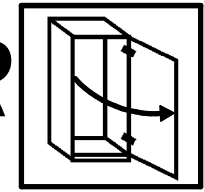
7



L

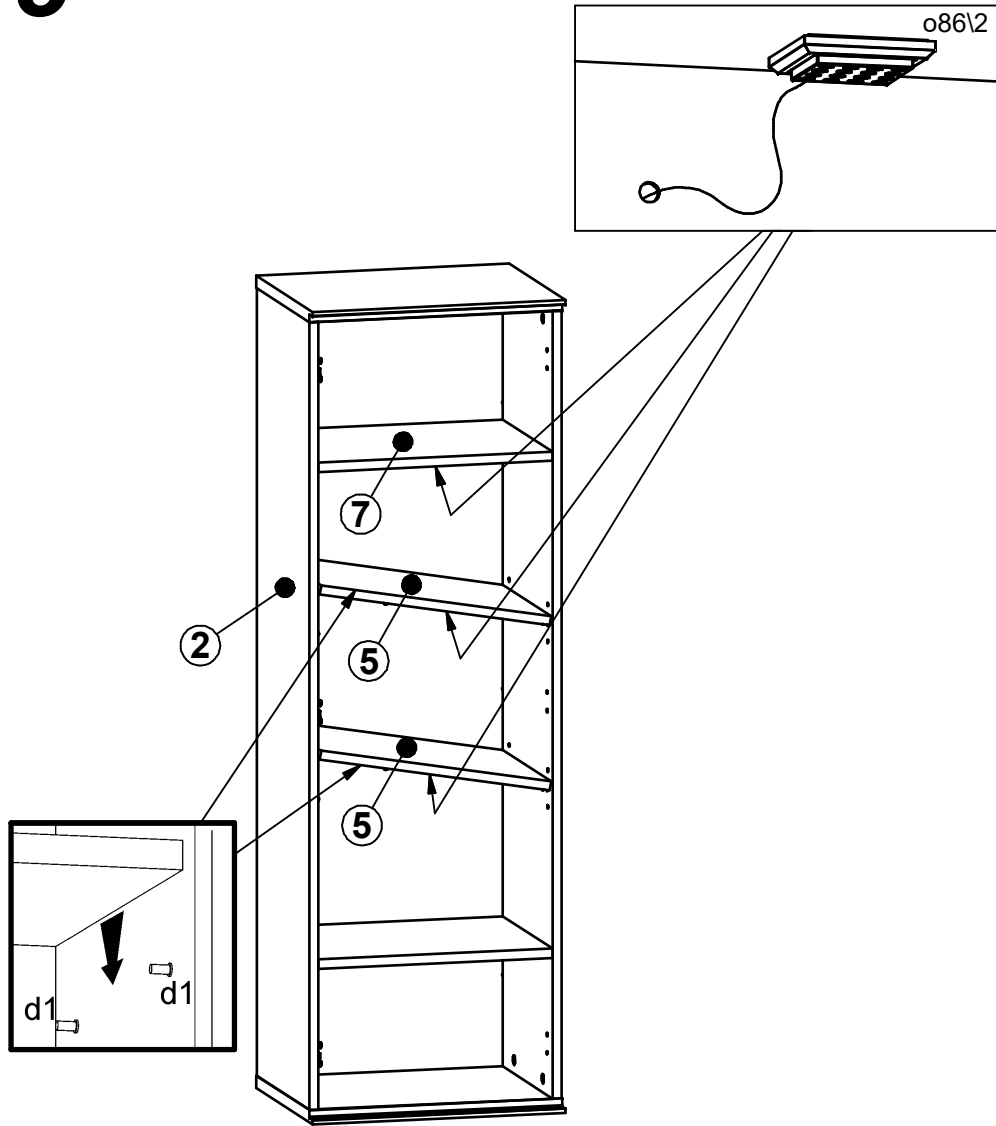


R

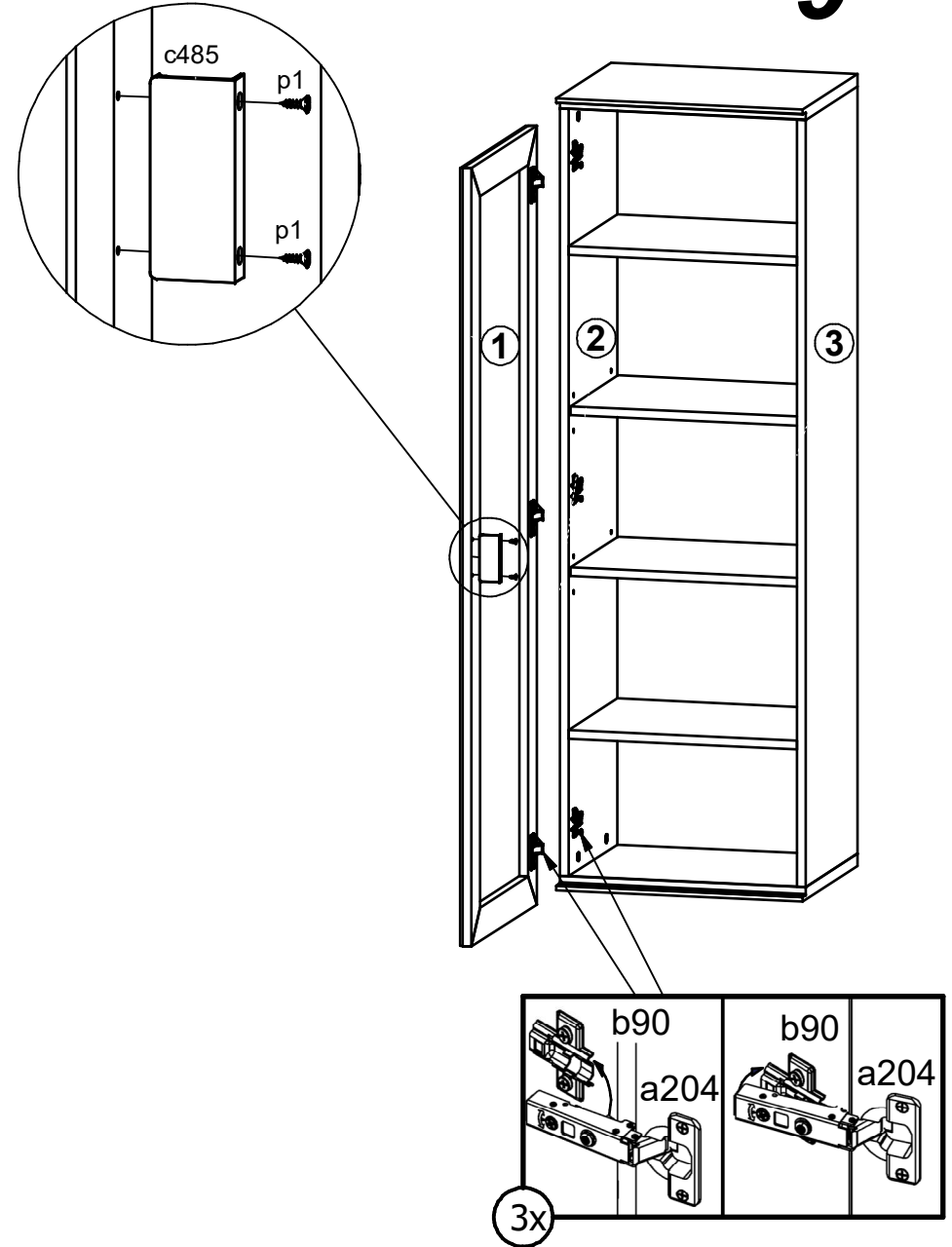


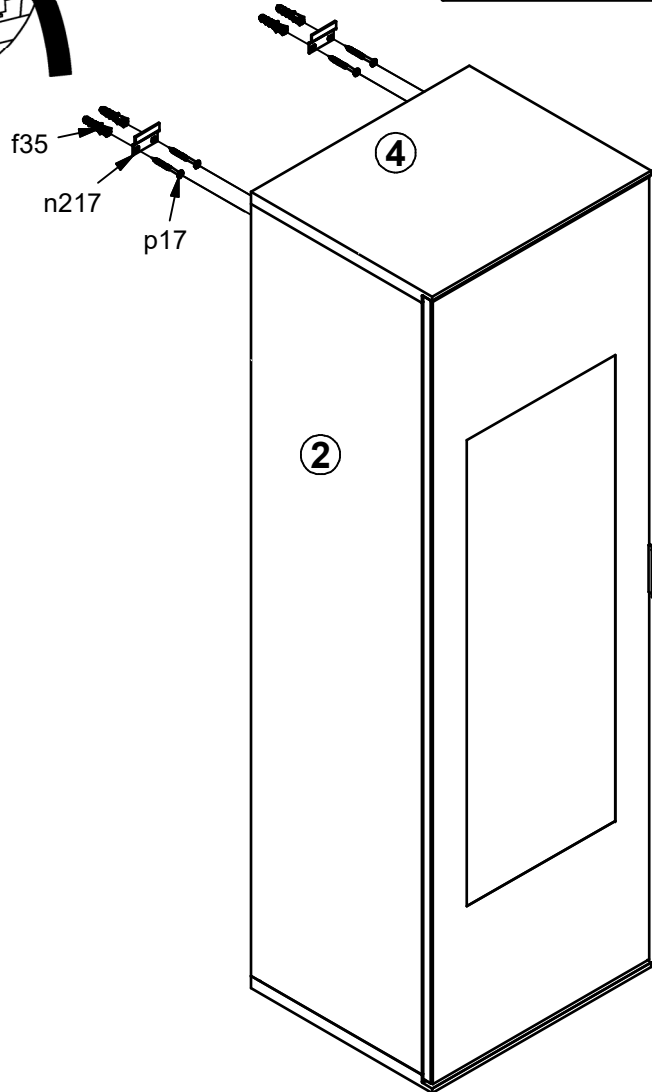
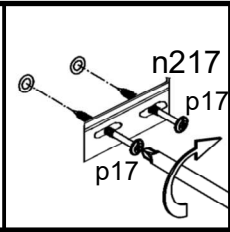
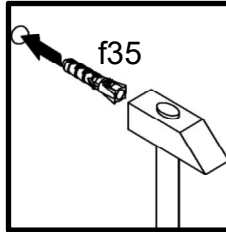
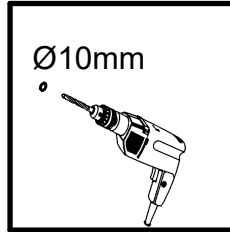
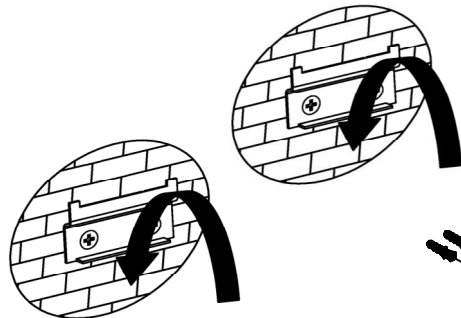


8

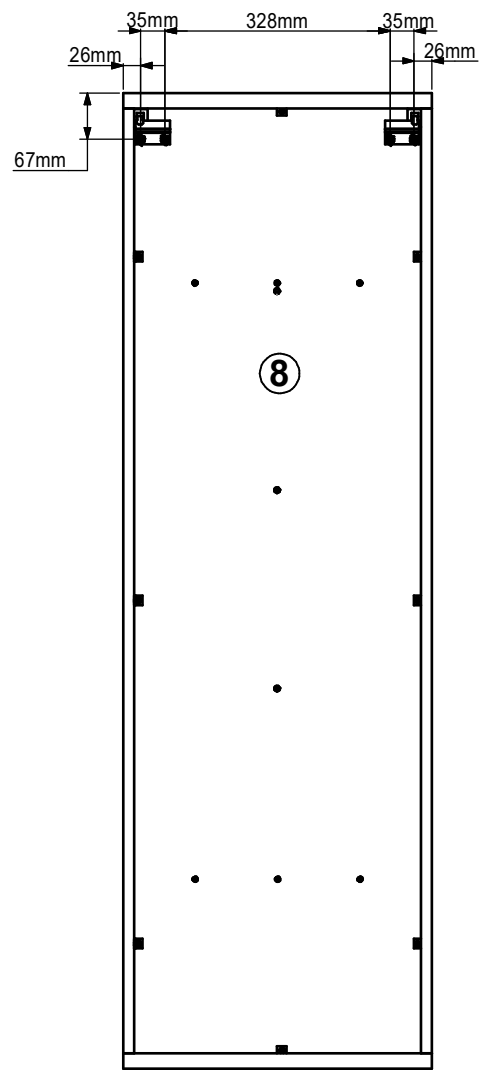
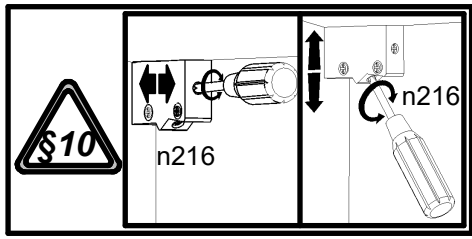


9

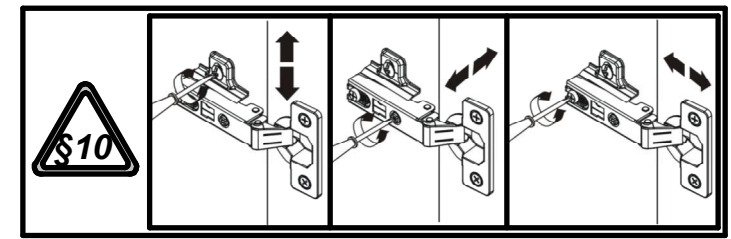
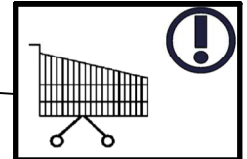
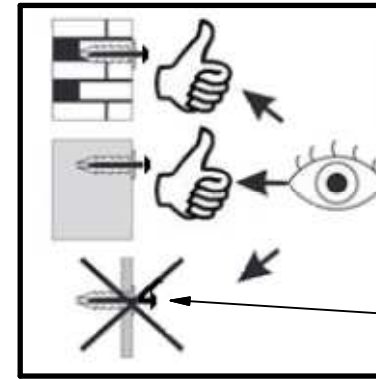
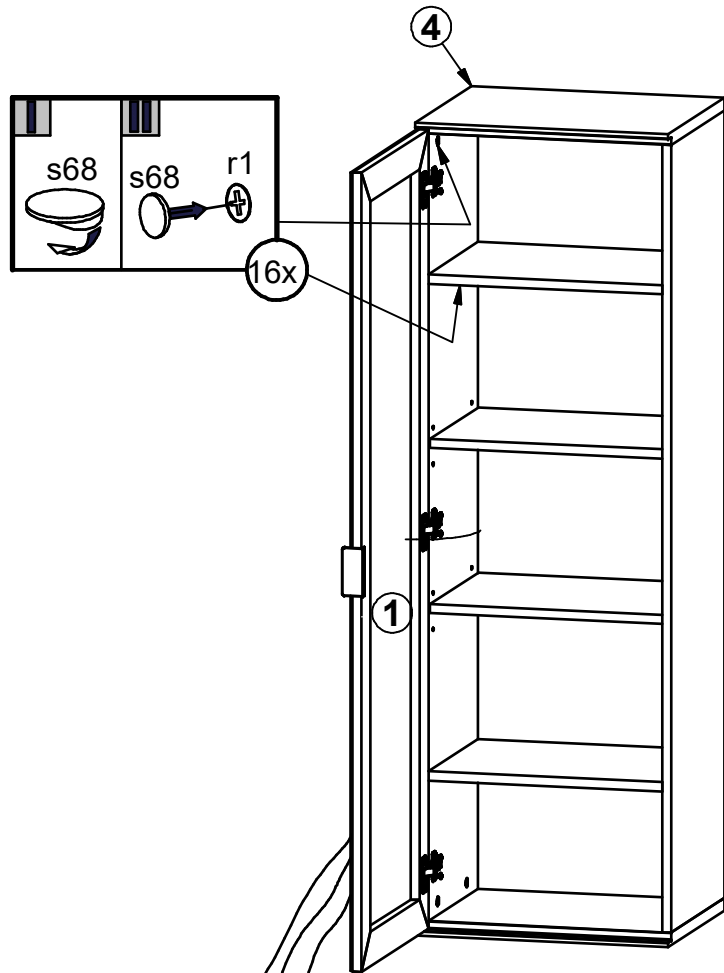


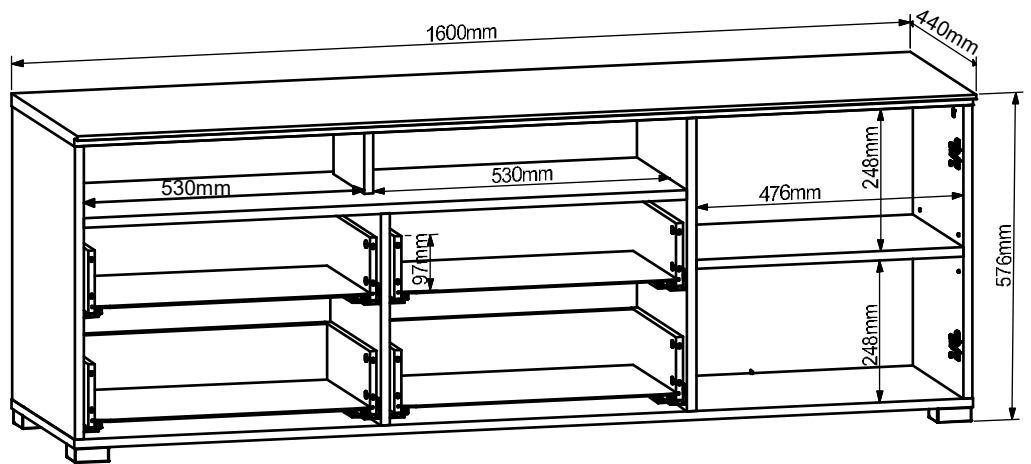
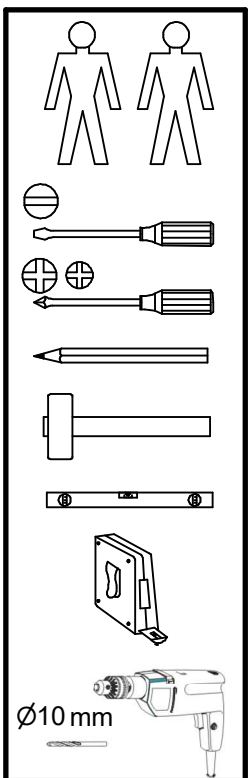
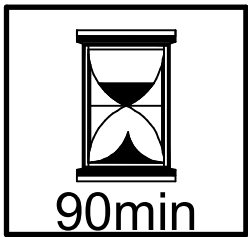
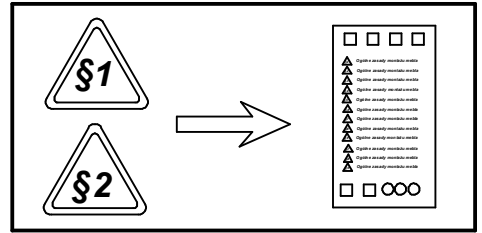
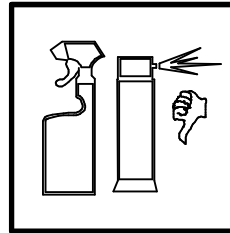
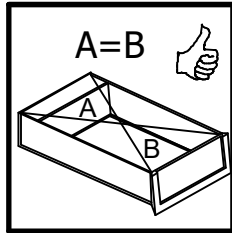
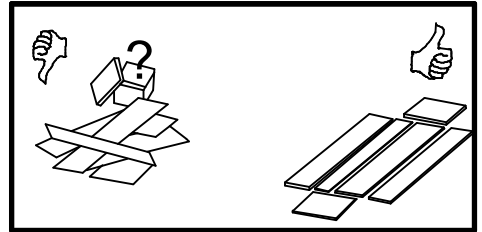
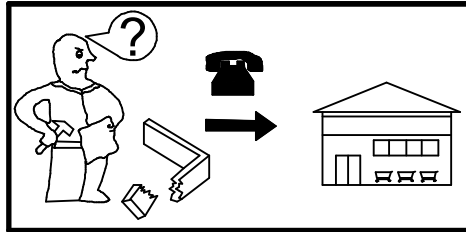
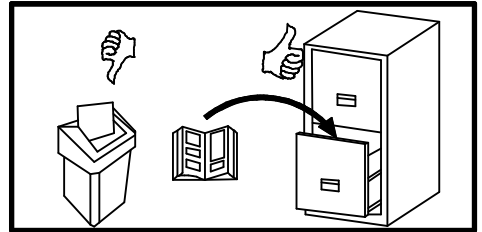
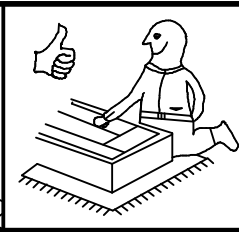
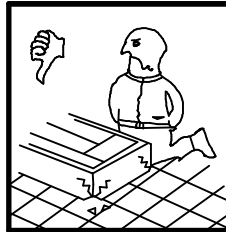


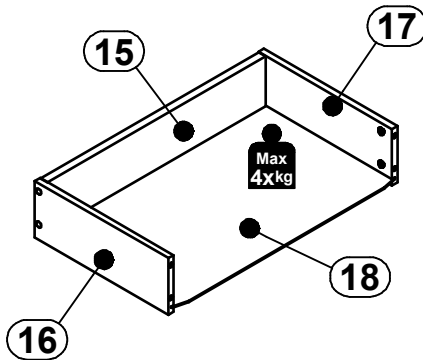
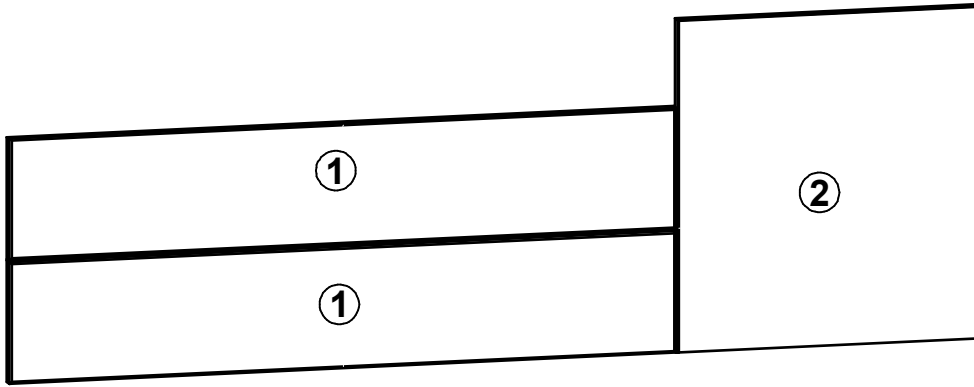
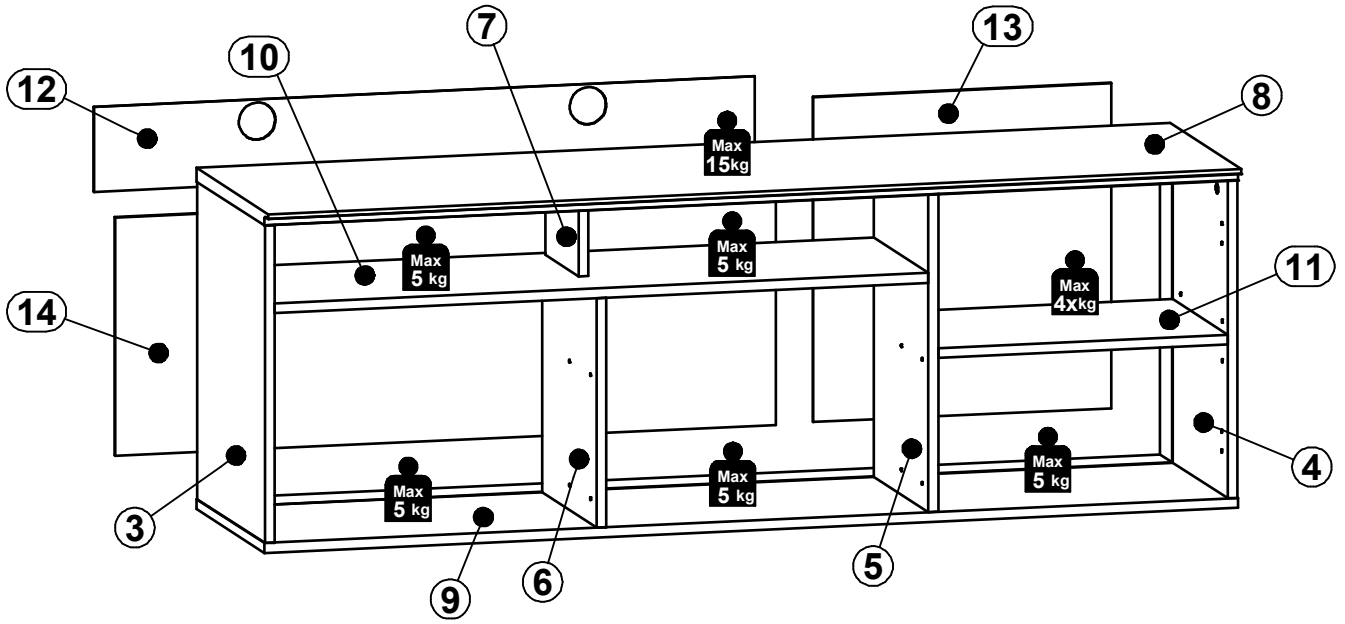
- 4x  
Ø5x60 mm p17
- 4x  
Ø10x50 mm f35
- 2x  
n217

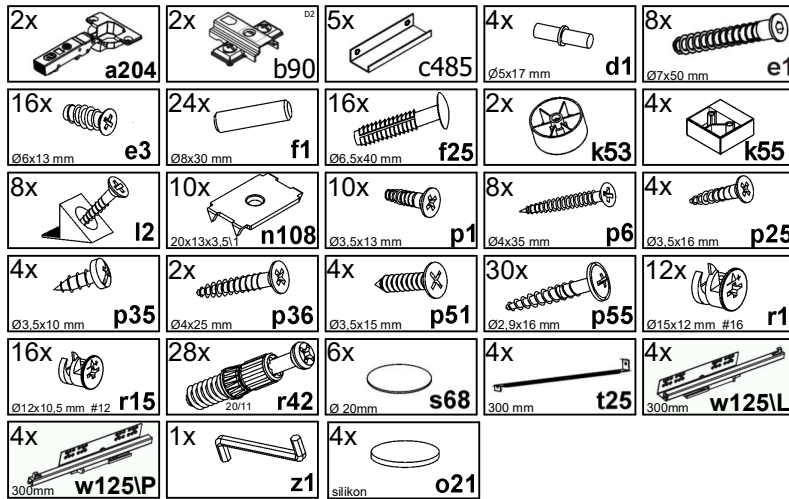


# 11

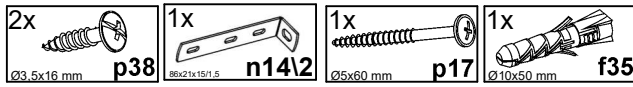


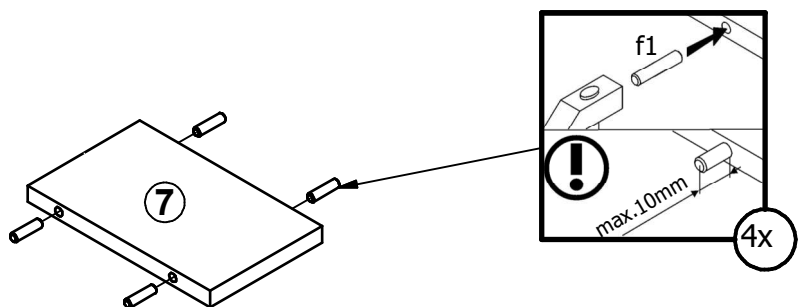
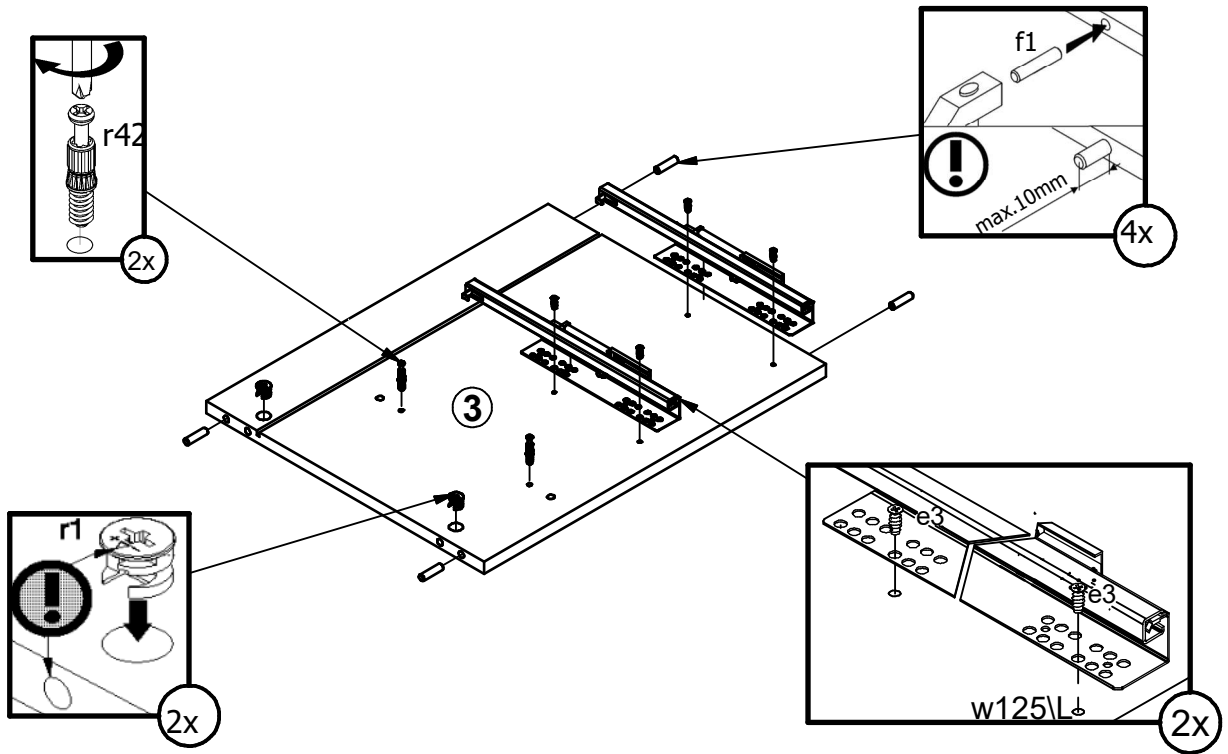
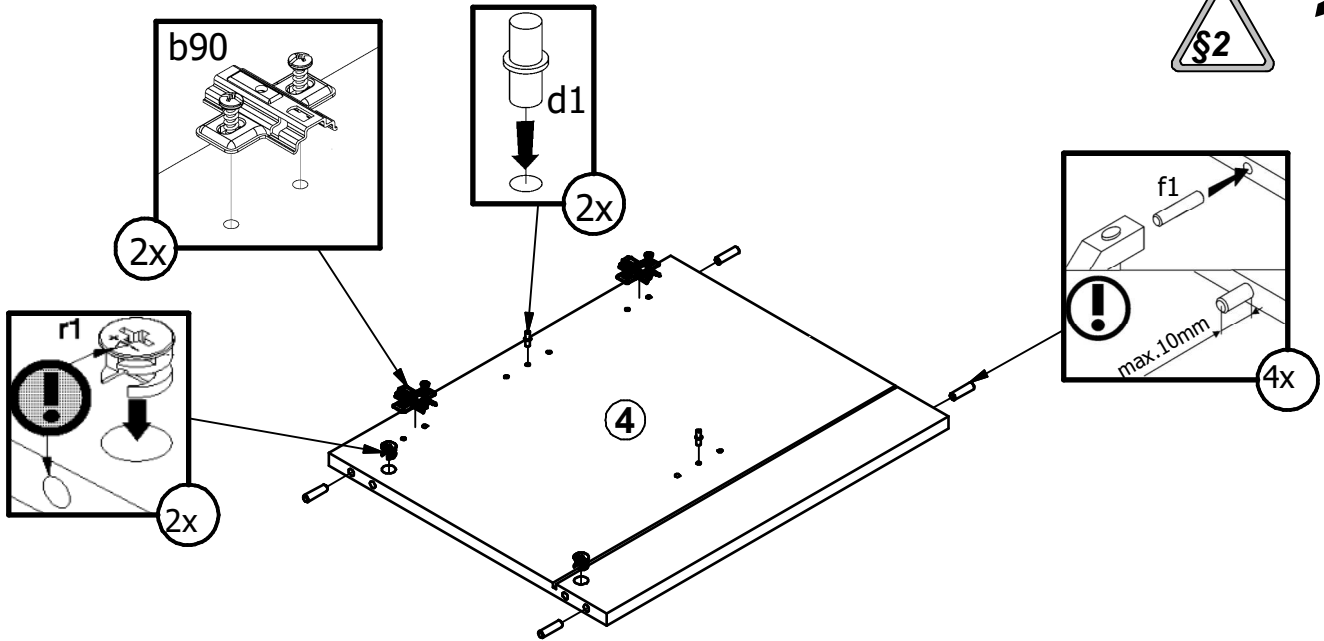




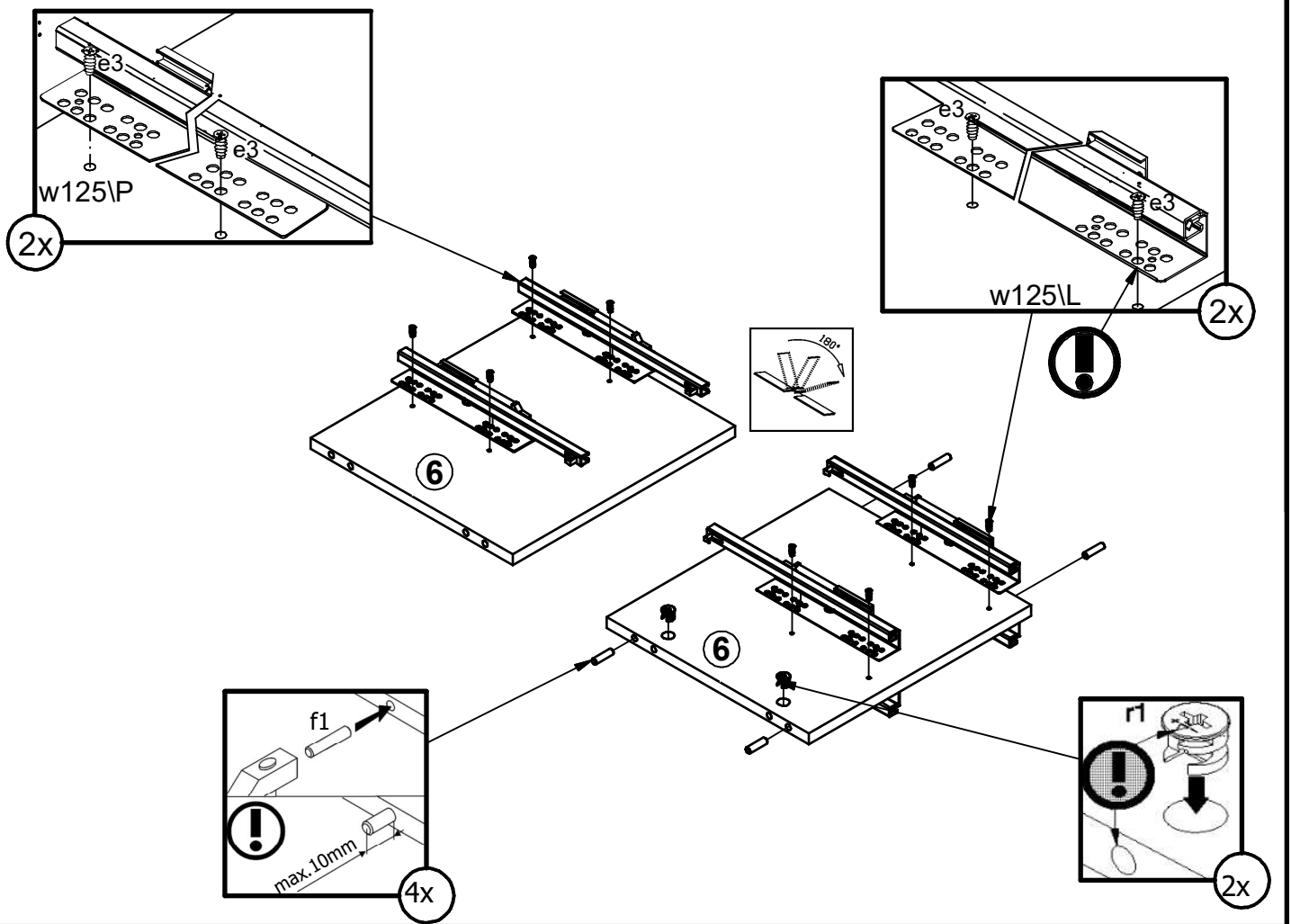
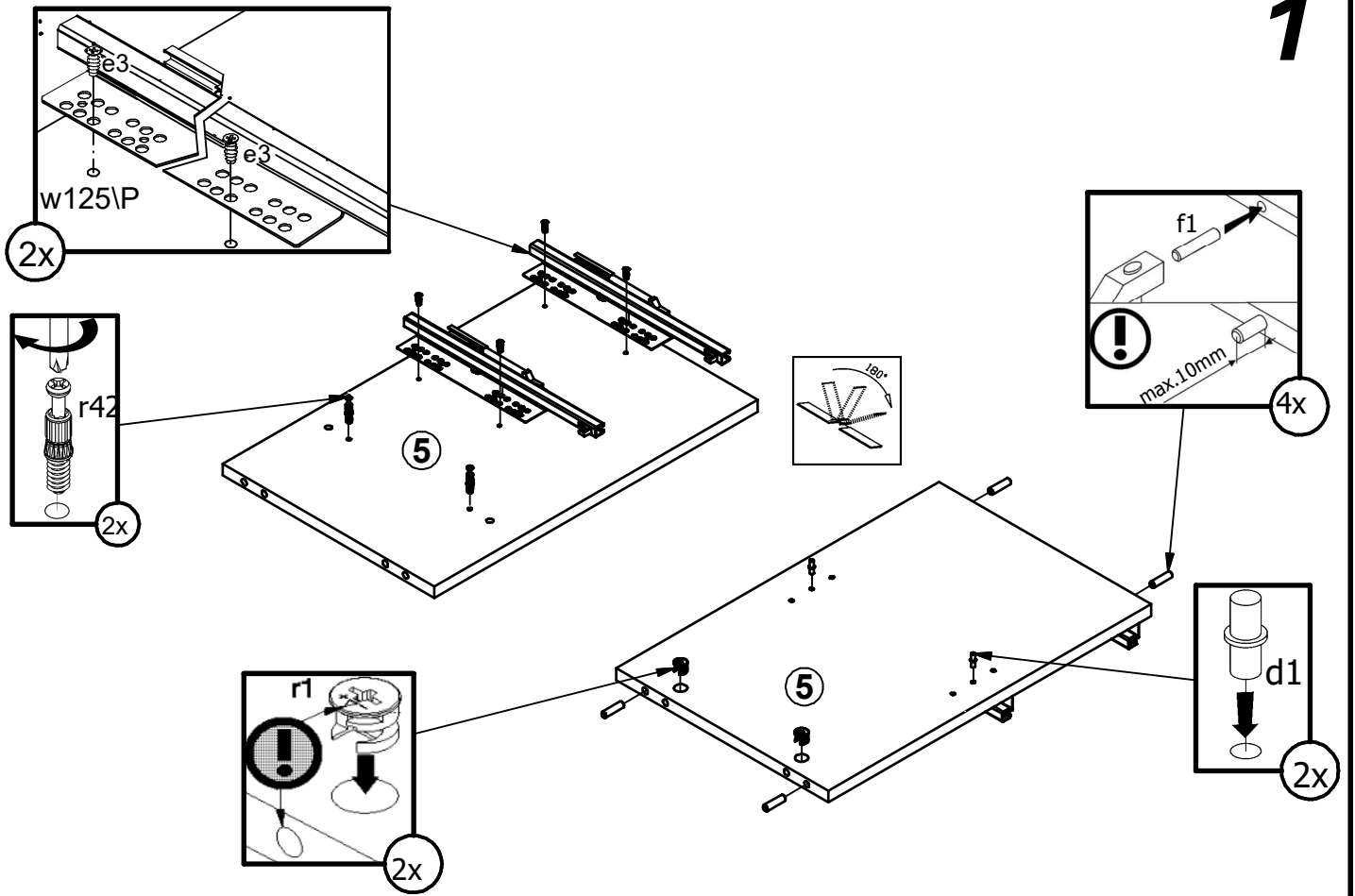


A	B	C1	C2	C3	D
1	S533-0016	1096	196	18	2/3
2	S533-0017	536	496	19	3/3
3	S533-1018	512	416	16	1/3
4	S533-1019	512	416	16	1/3
5	S533-1020	512	336	16	1/3
6	S533-1021	370	336	16	1/3
7	S533-1022	126	205	16	1/3
8	S533-2012	1600	438	22	2/3
9	S533-2013	1600	416	16	2/3
10	S533-3014	1075	336	16	1/3
11	S533-3015	476	336	16	2/3
12	S533-9015	1086	137	2,5	1/3
13	S533-9016	524	490	2,5	3/3
14	S533-9017	1086	384	2,5	2/3
15	ZQ6-5096	490	97	15	3/3
16	ZQ6-517	300	110	12	1/3
17	ZQ6-518	300	110	12	1/3
18	WSP-9417	500	308	2,5	1/3

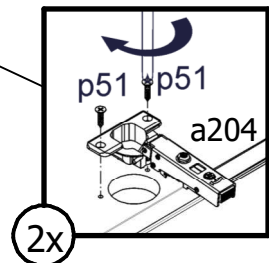
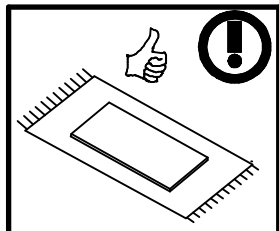
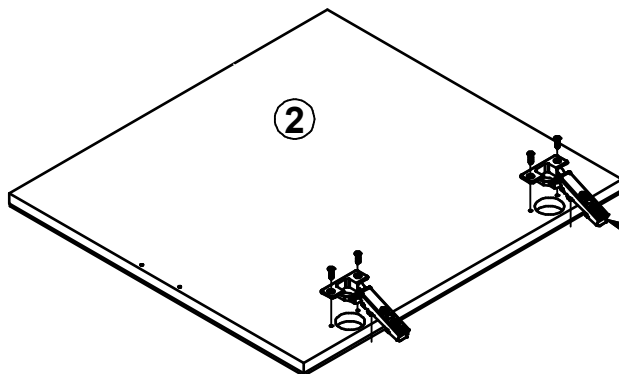
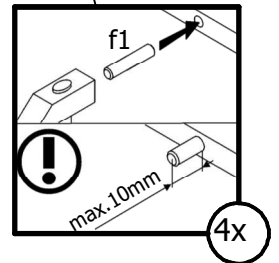
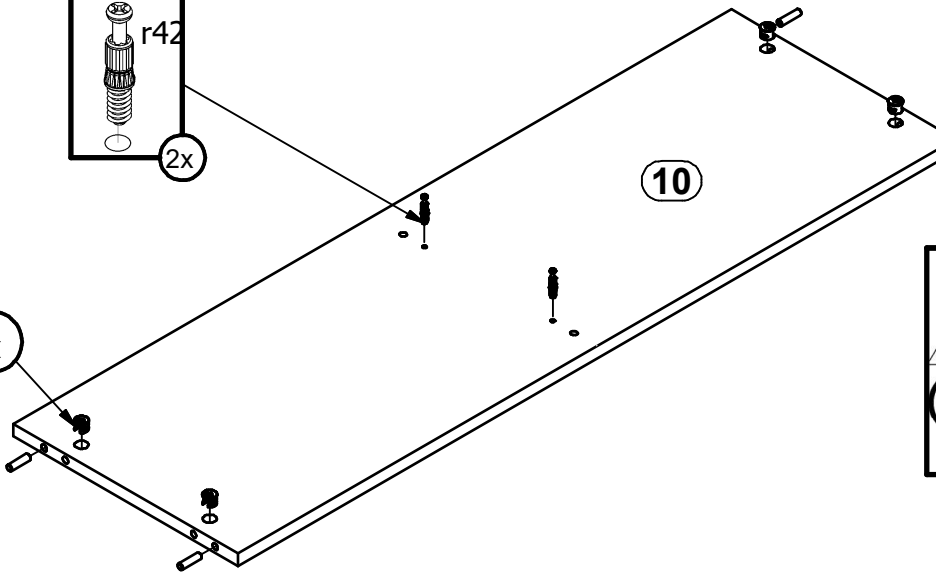
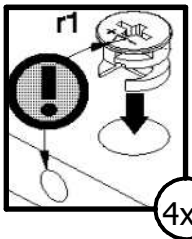
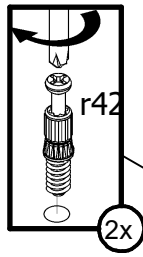
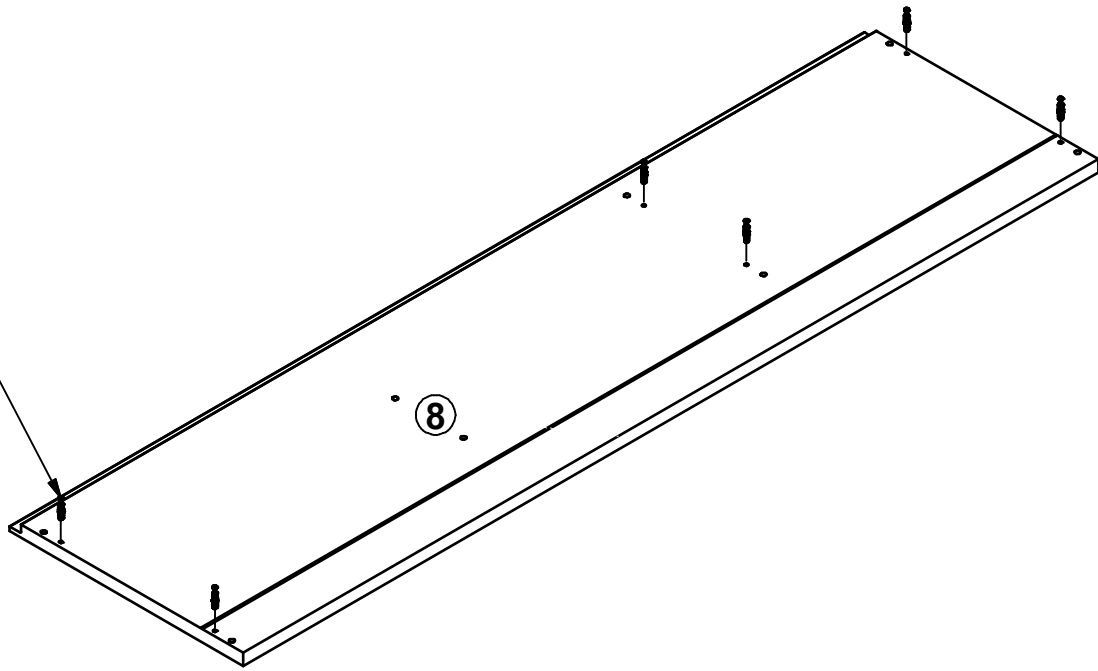
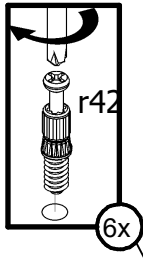




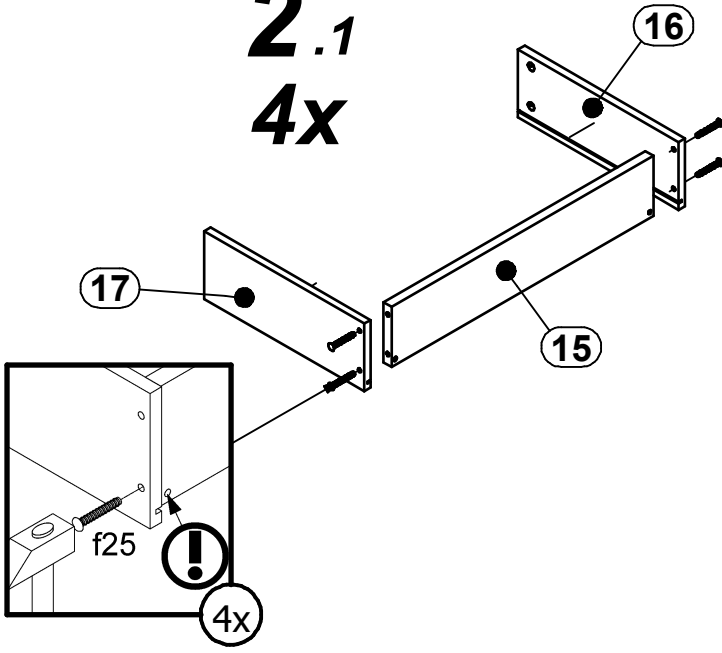
1



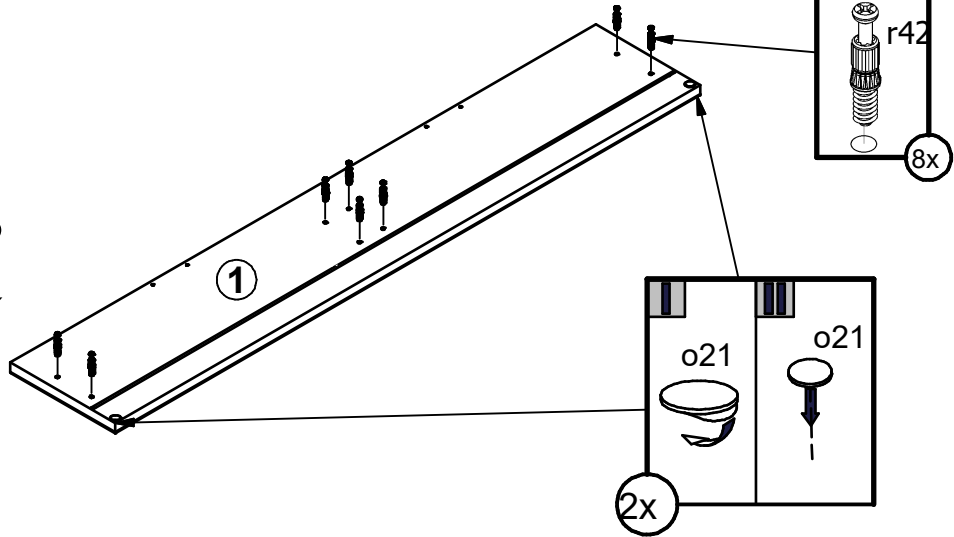




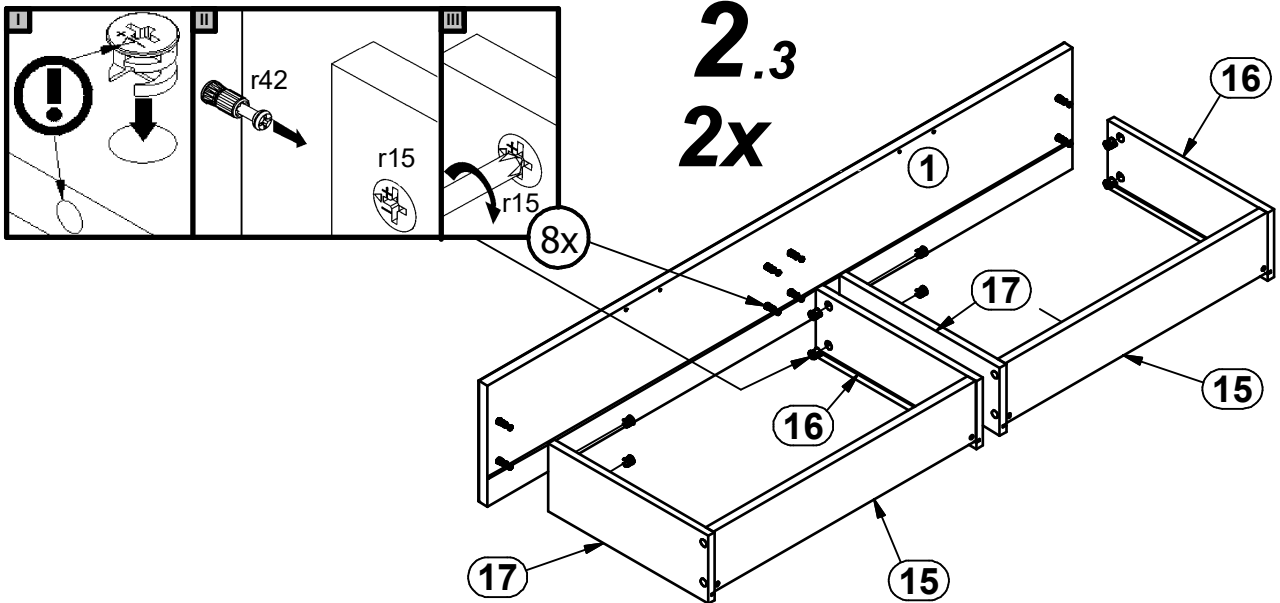
**2.1**  
**4x**

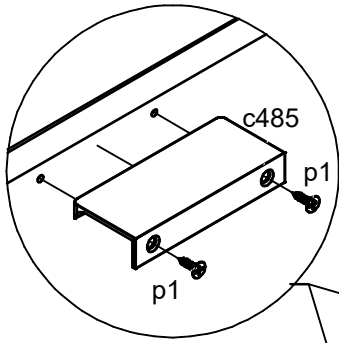


**2.2**  
**2x**

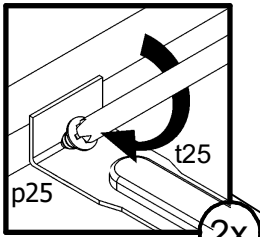
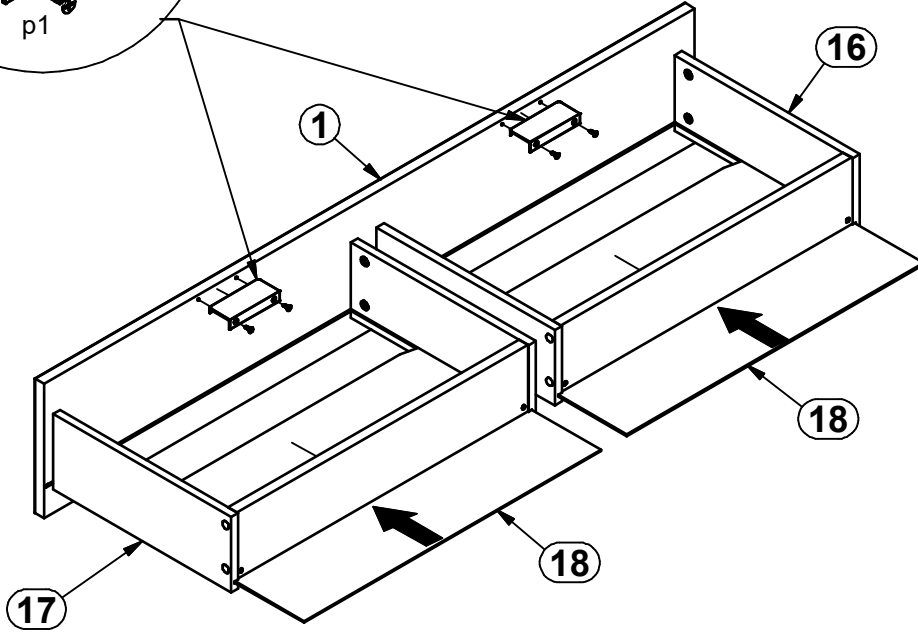


**2.3**  
**2x**

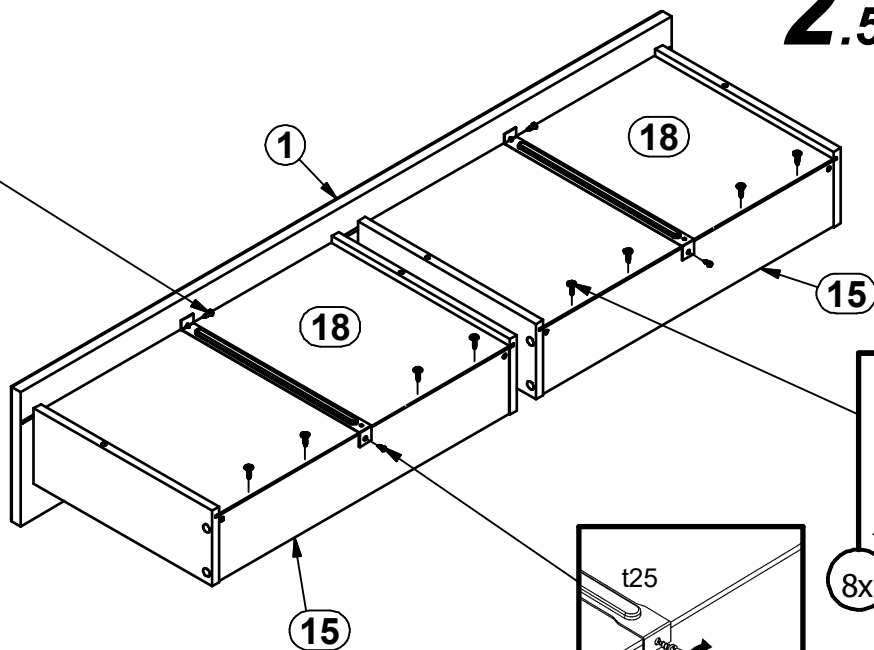




# 2.4

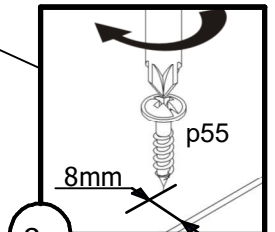
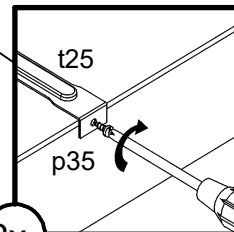
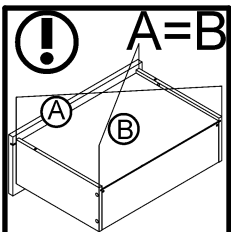


# 2.5

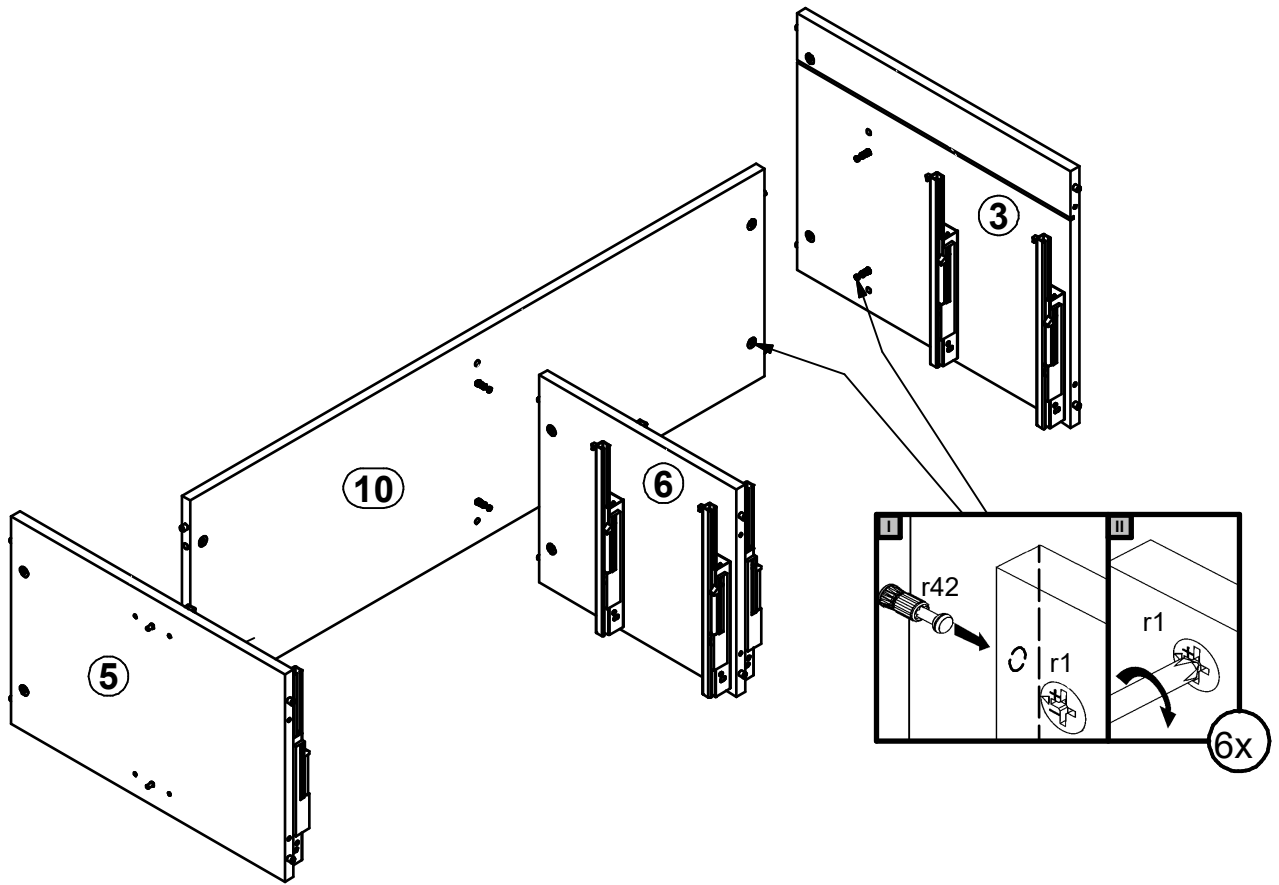


2x

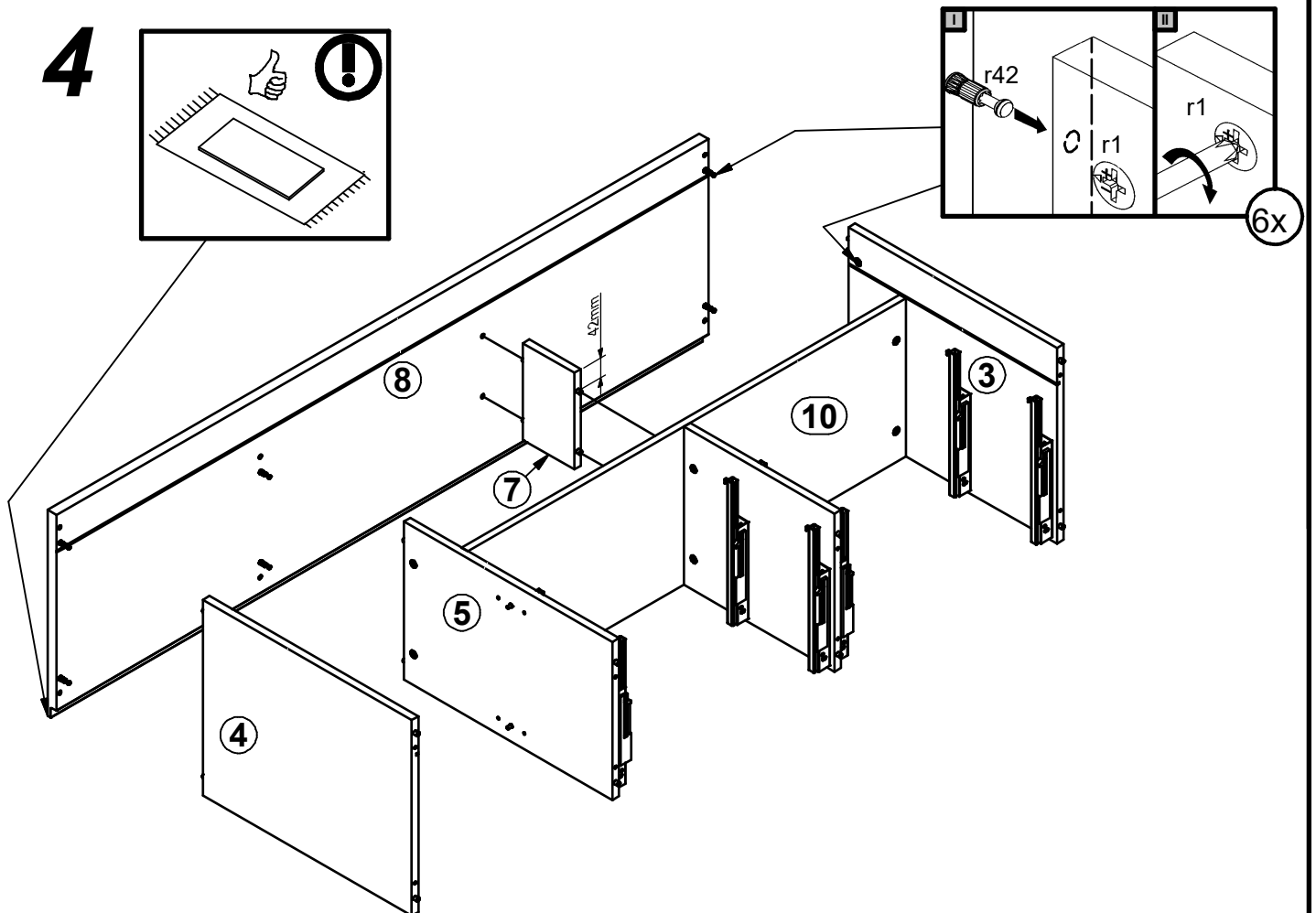
8x



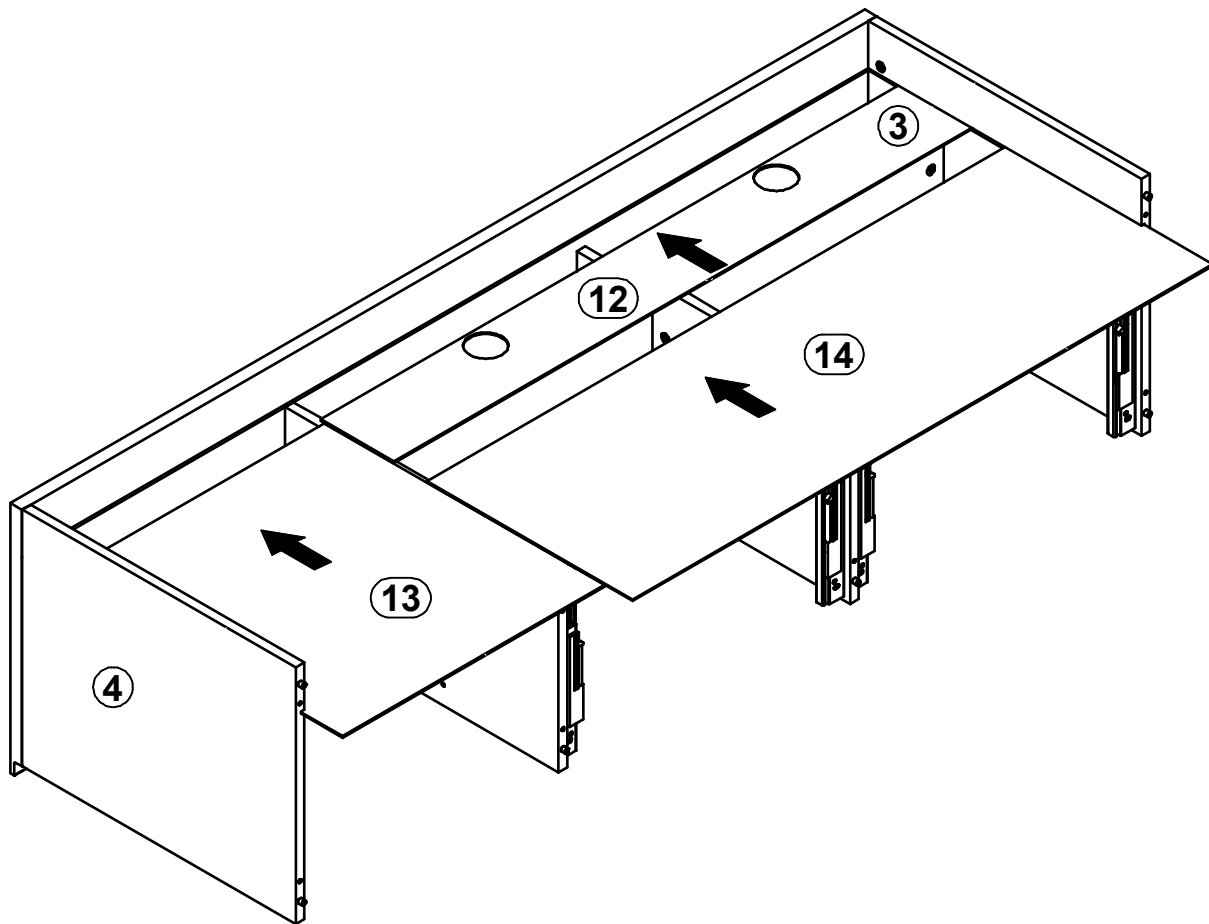
3



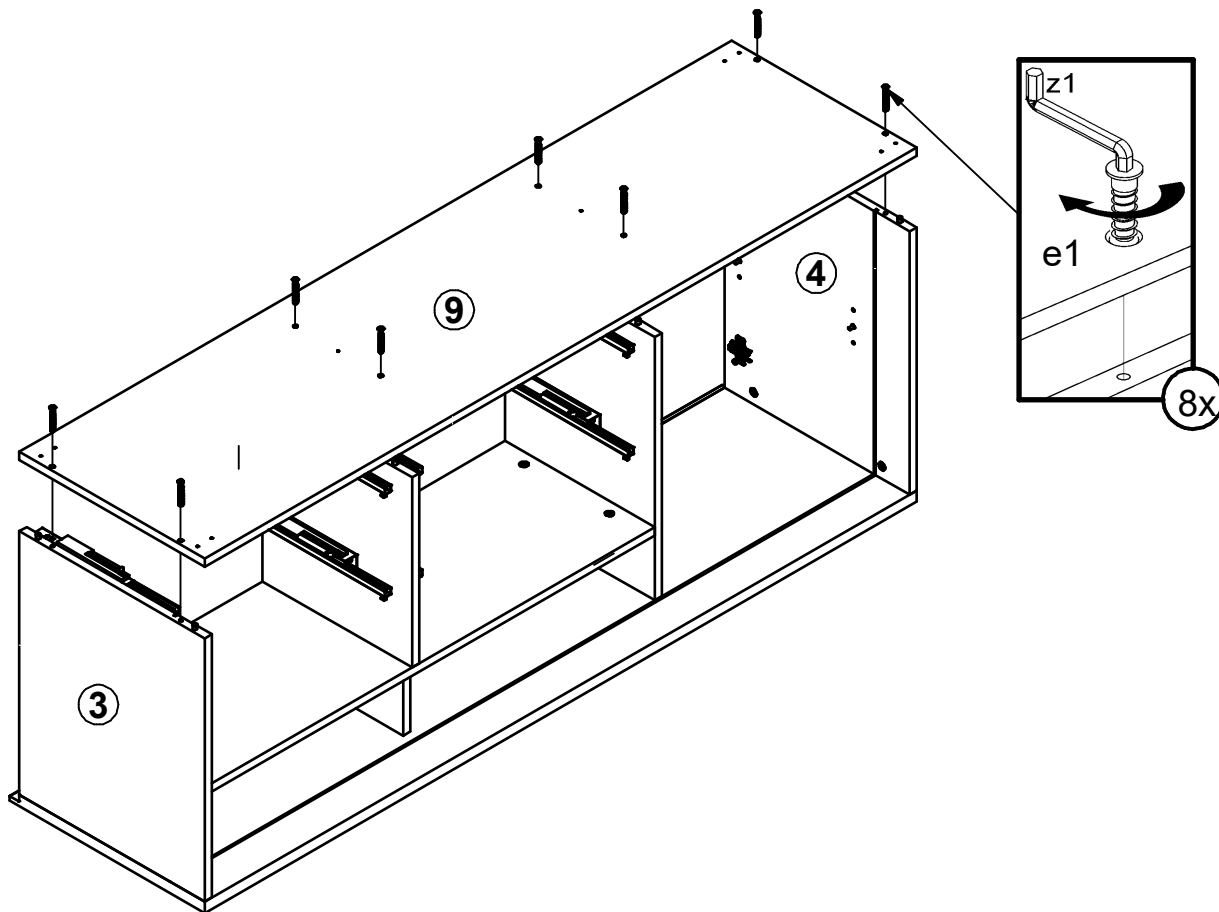
4



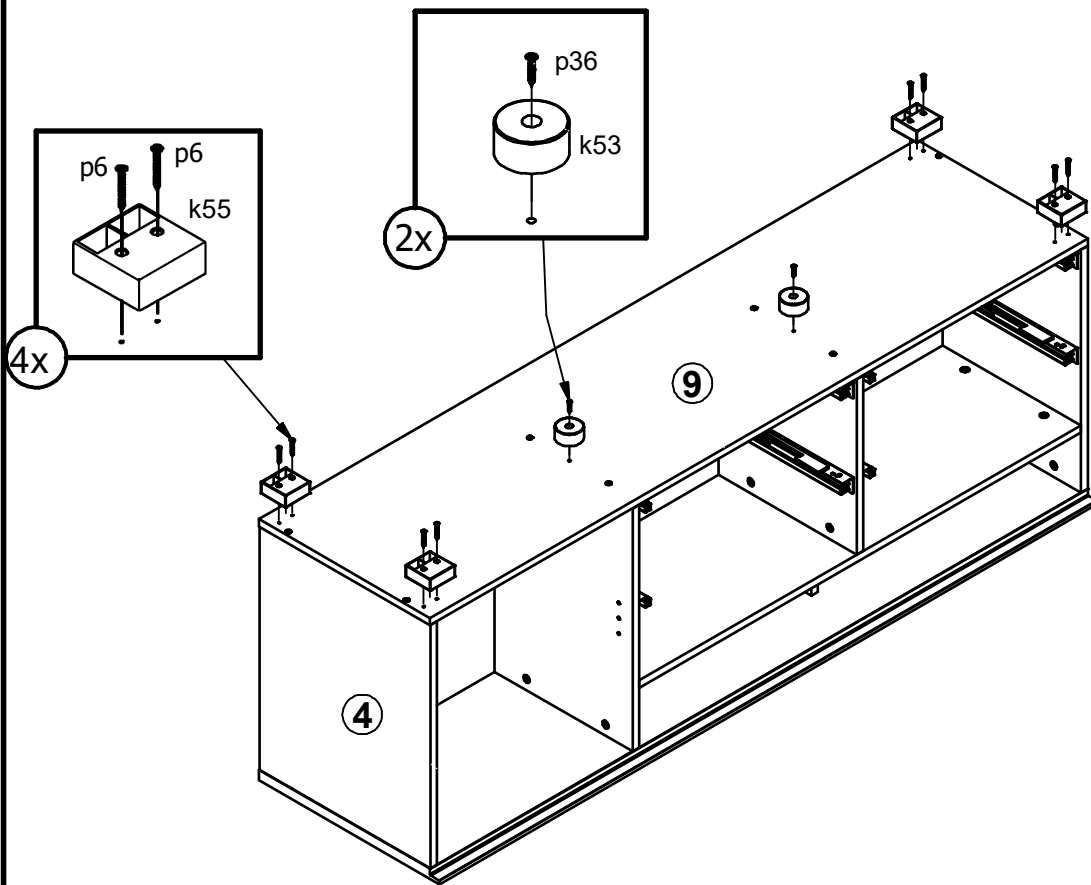
5



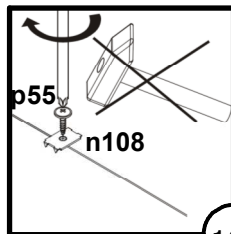
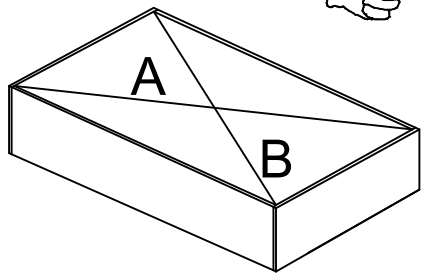
6



7

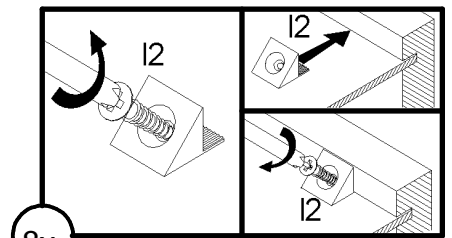


A=B

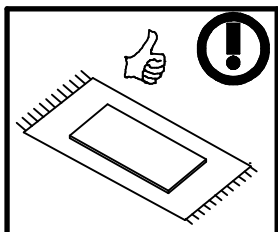
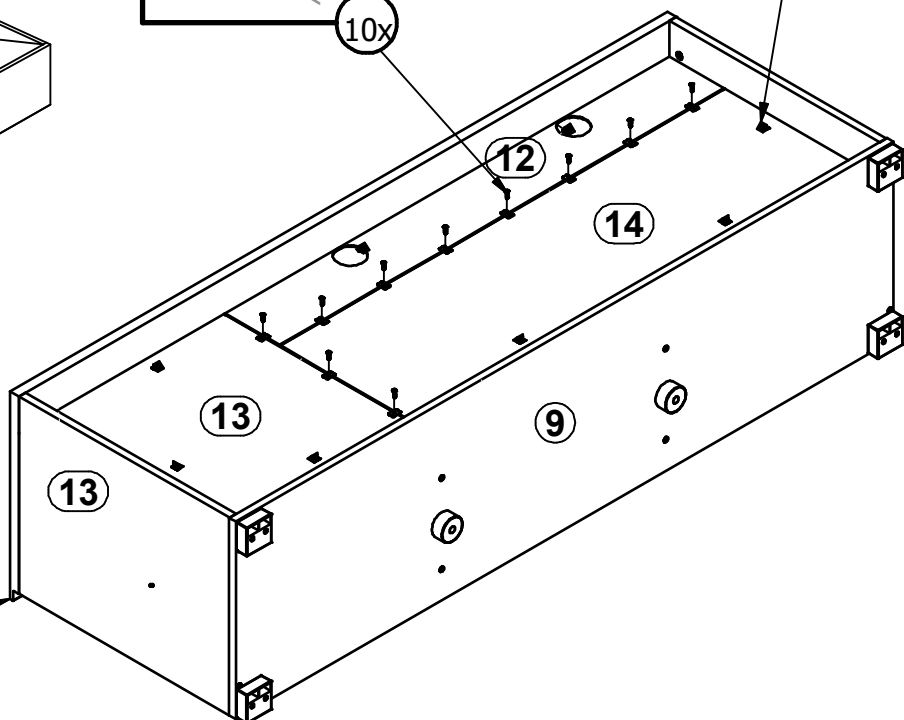


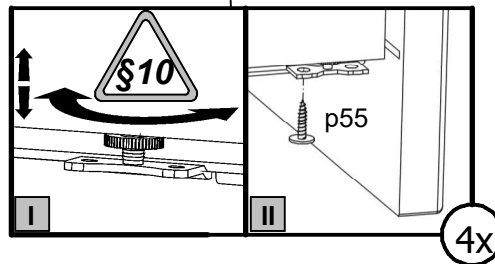
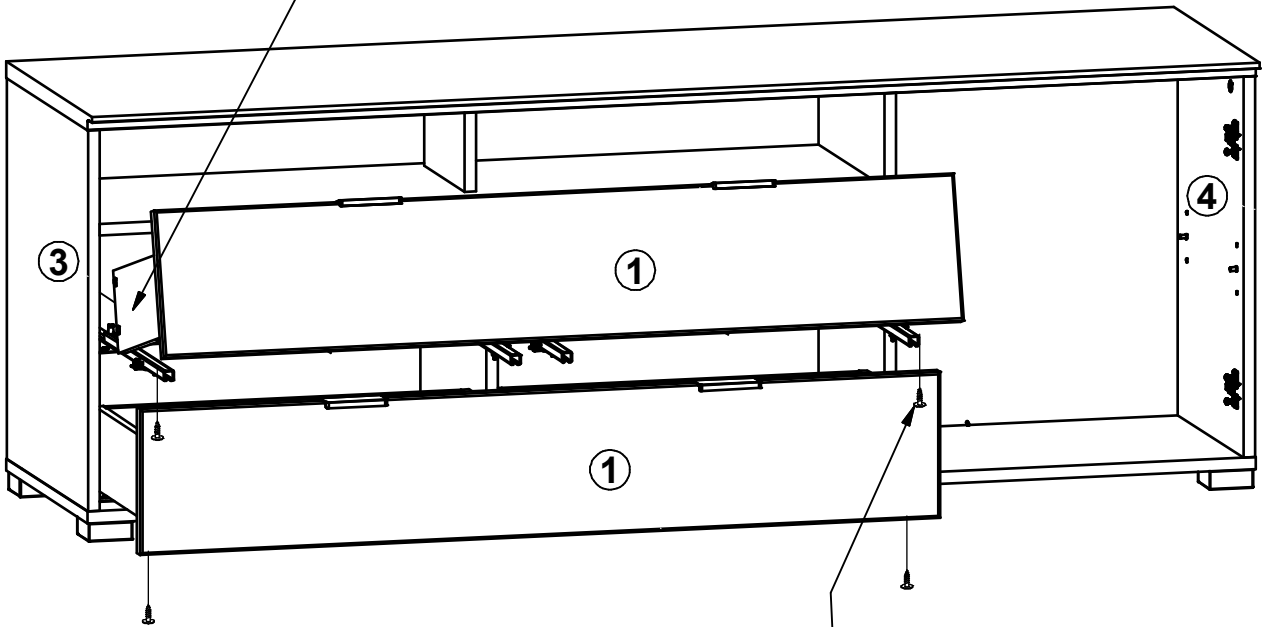
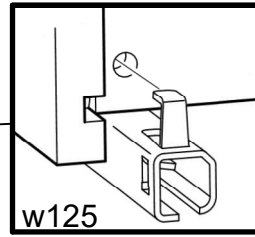
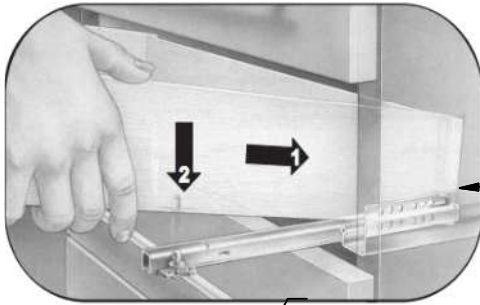
10x

8

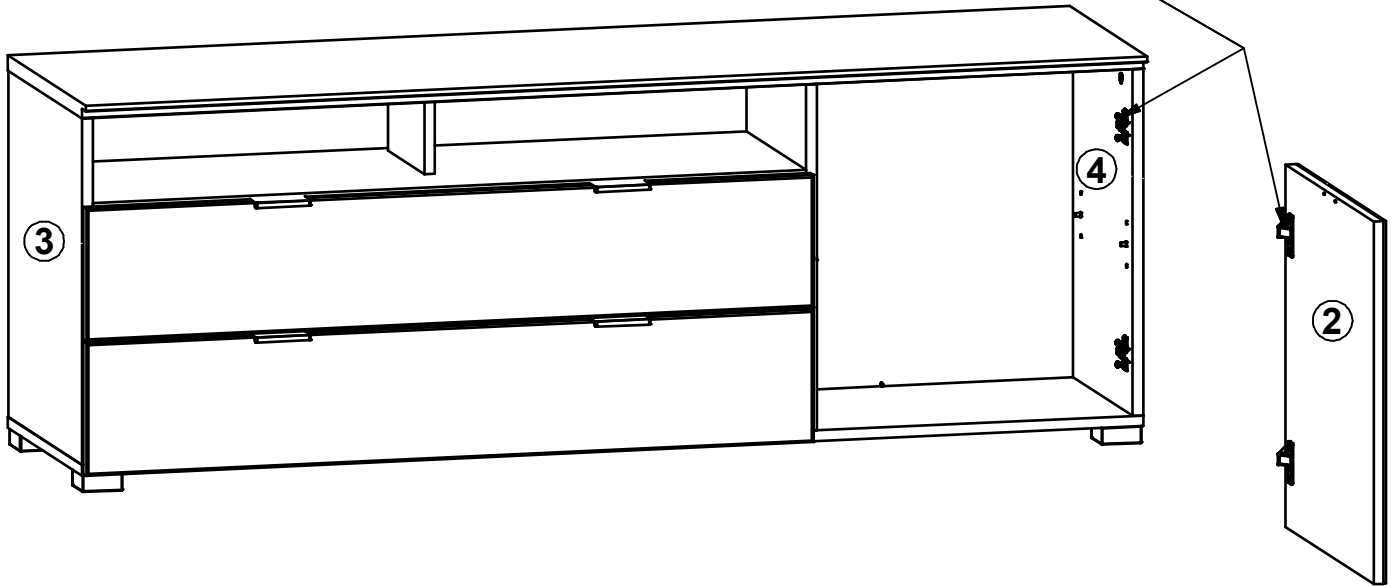
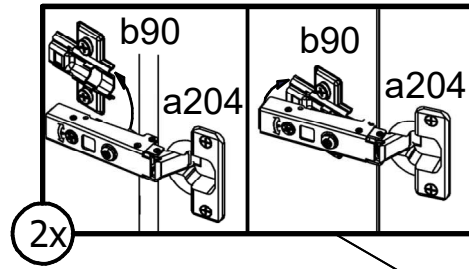


8x

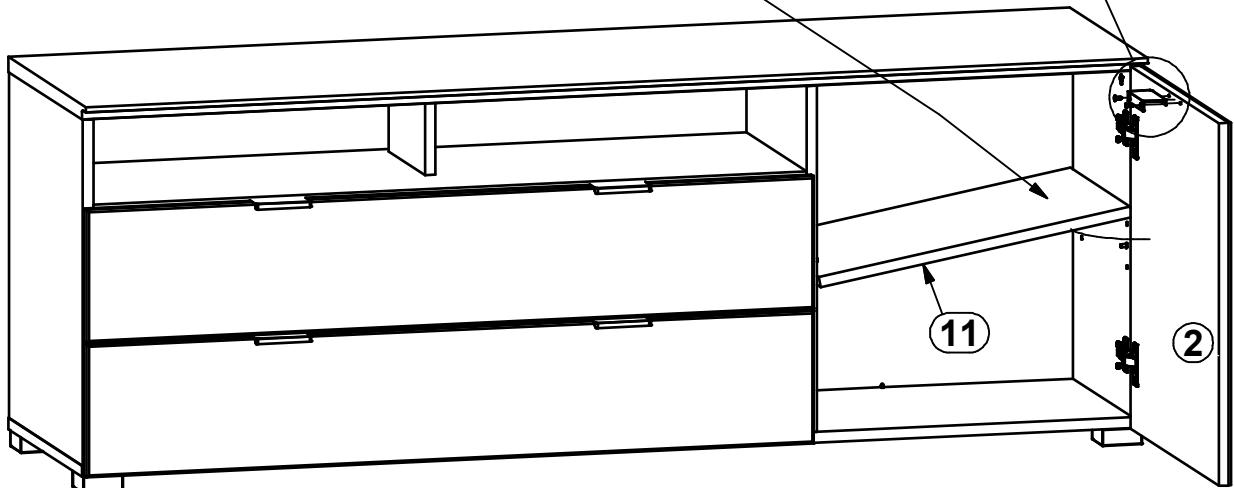
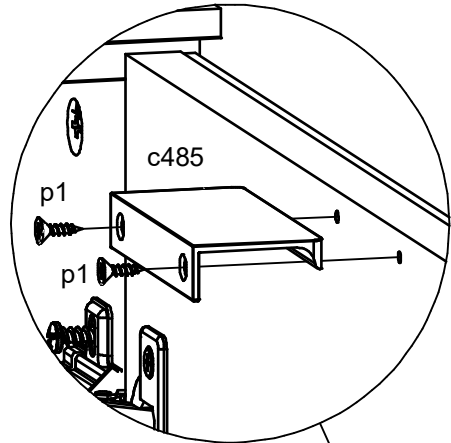
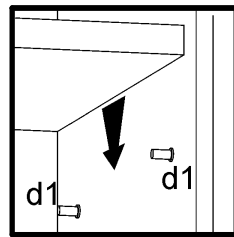




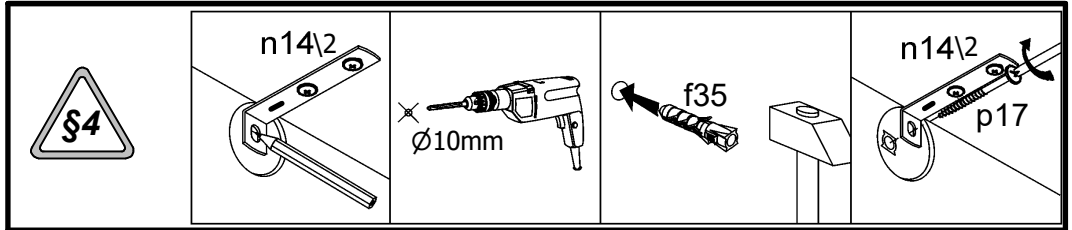
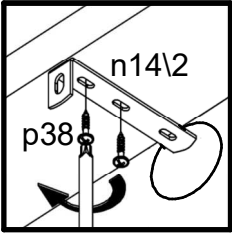
# 10



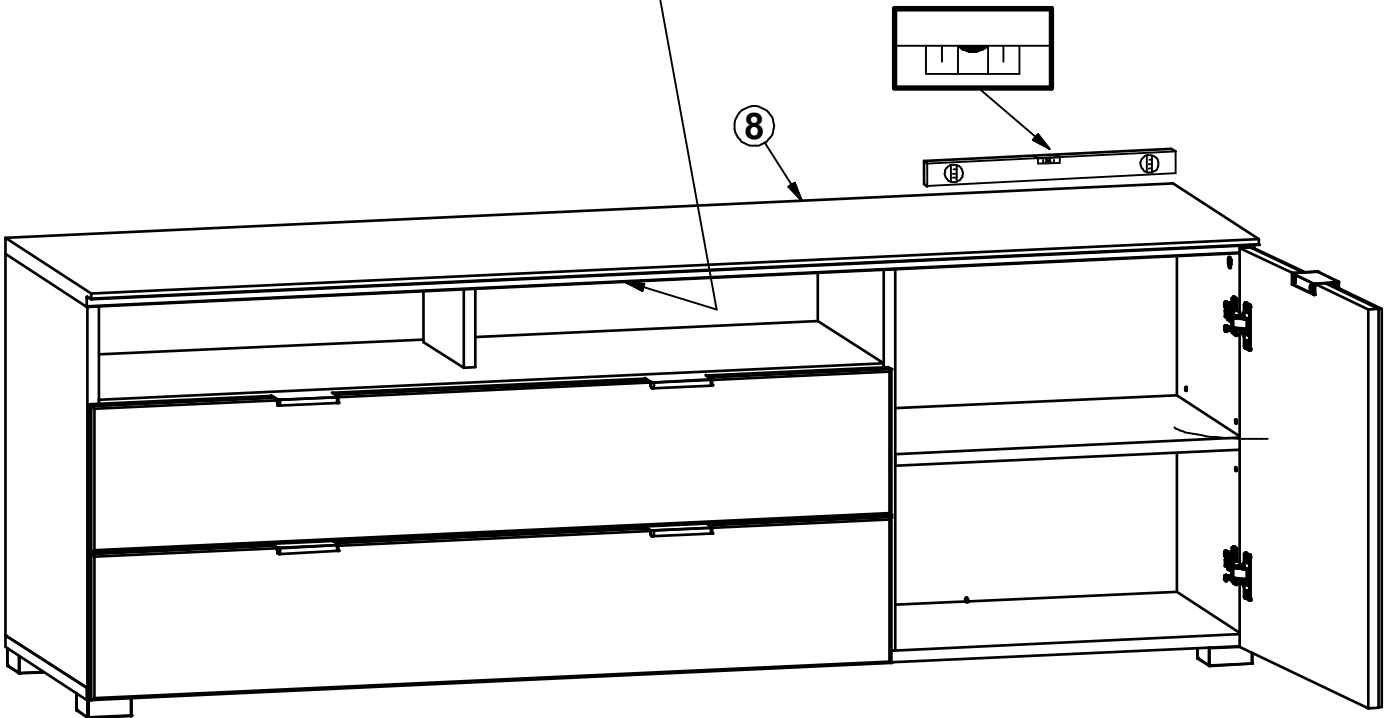
# 11



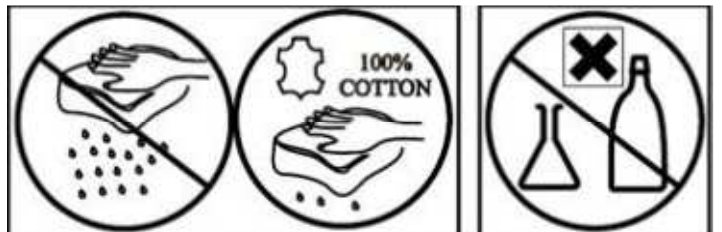
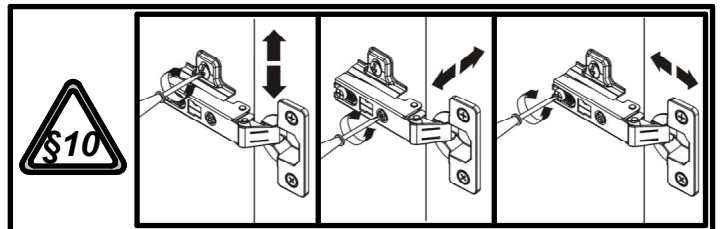
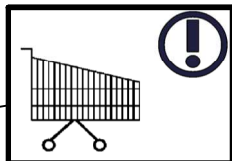
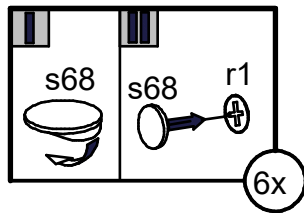
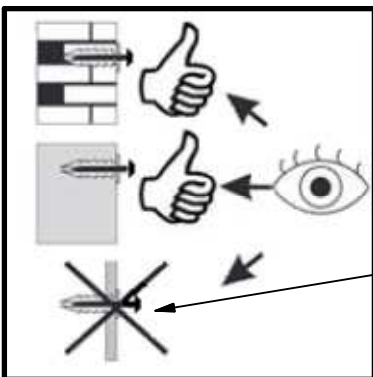


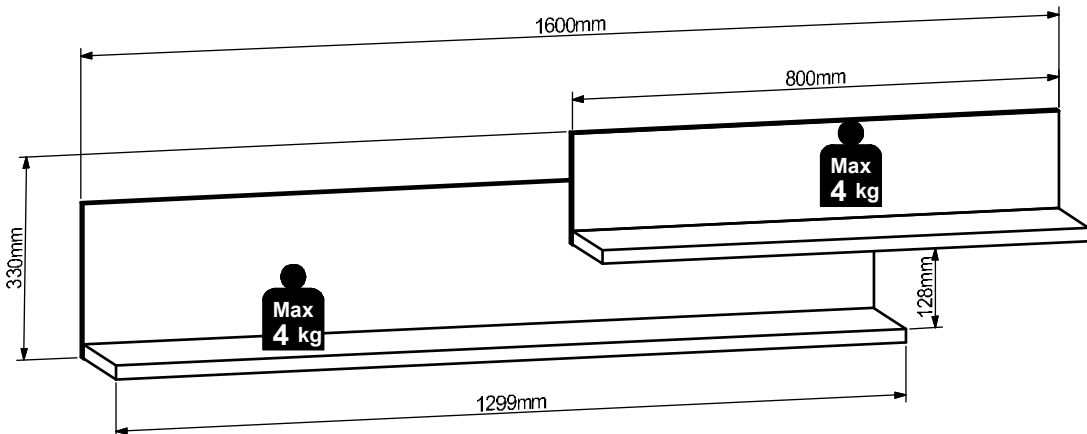
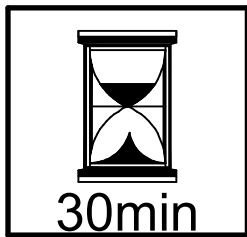
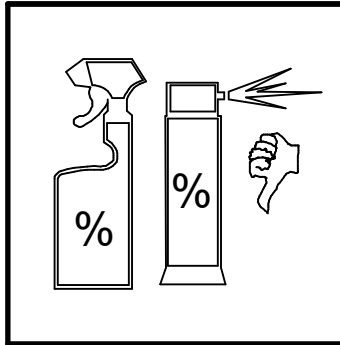
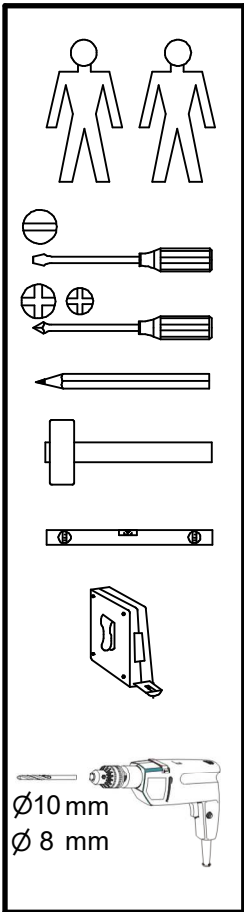
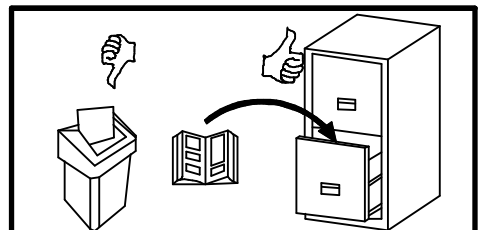
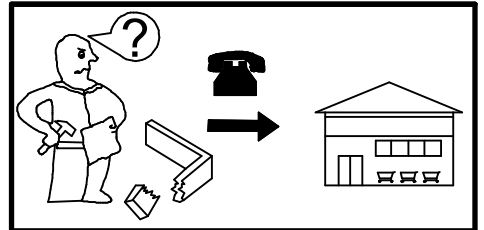
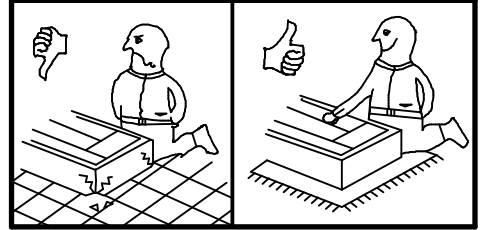
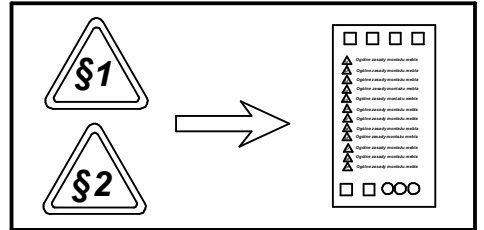
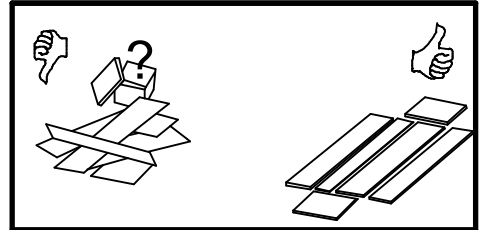
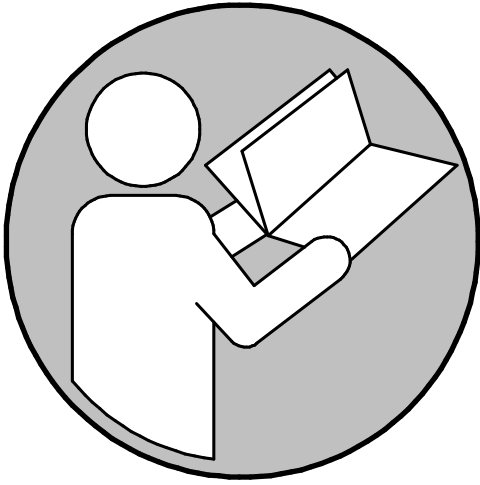


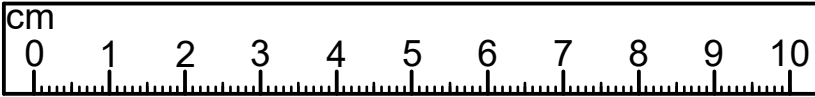
12



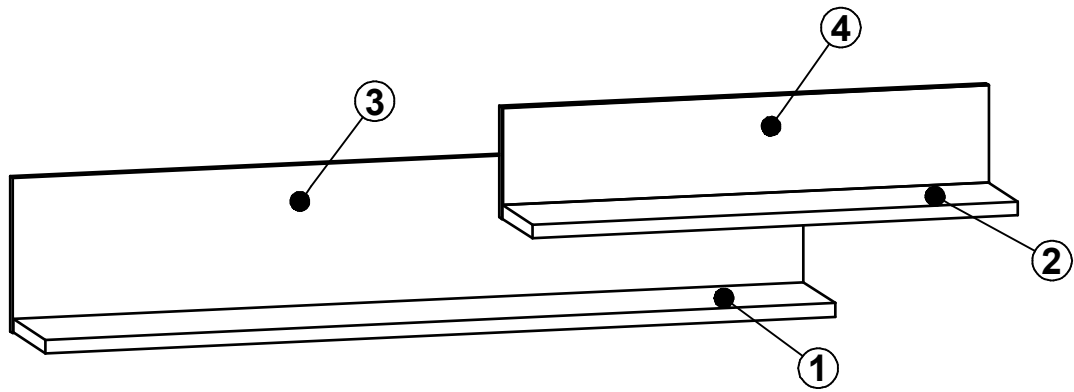
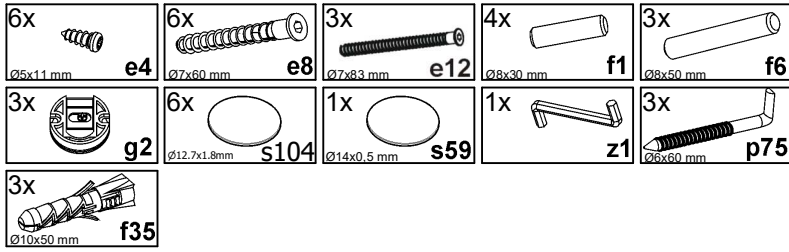
- 2x **p38**  
Ø3.5x16 mm
- 1x **n14/2**  
88x21x15/1.5
- 1x **p17**  
Ø5x60 mm
- 1x **f35**  
Ø10x50 mm



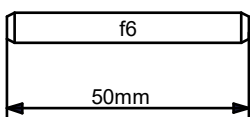
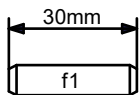
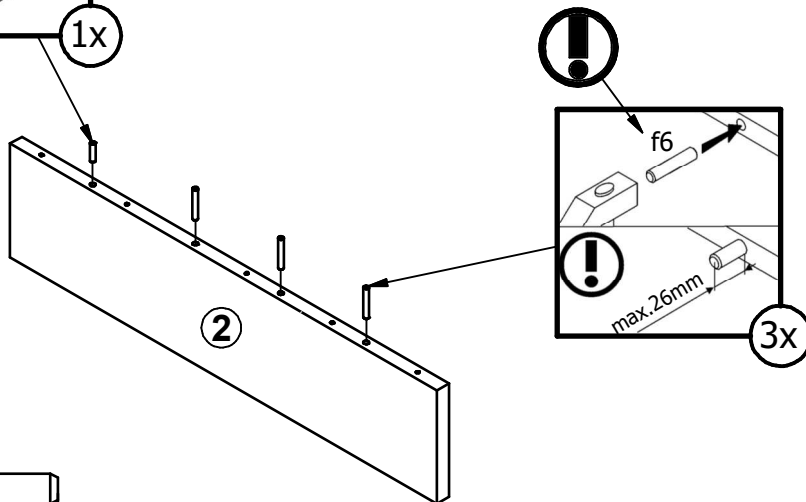
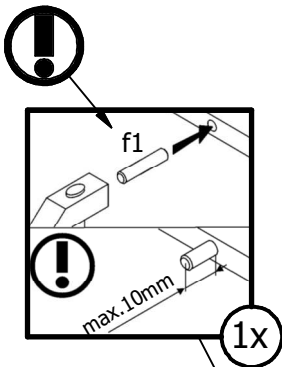
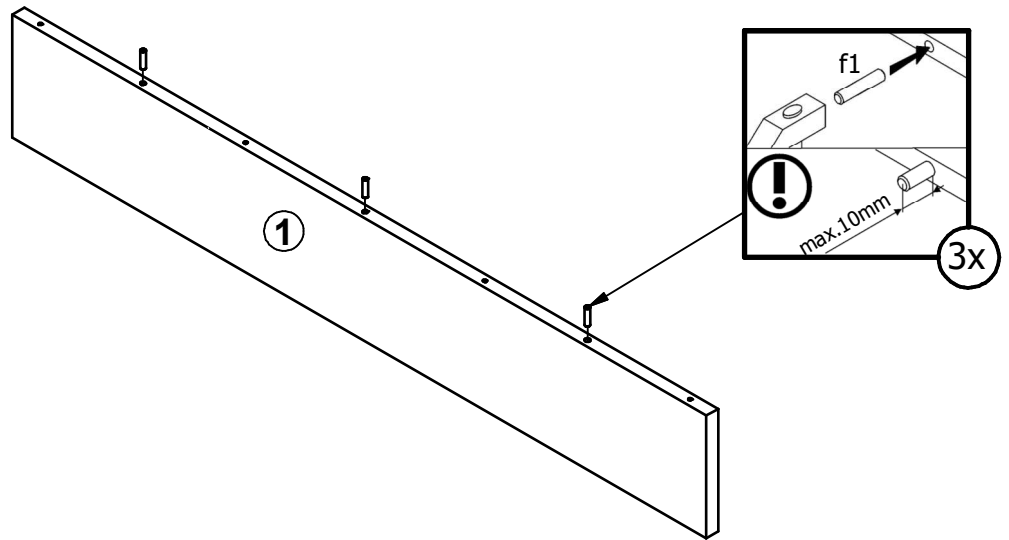
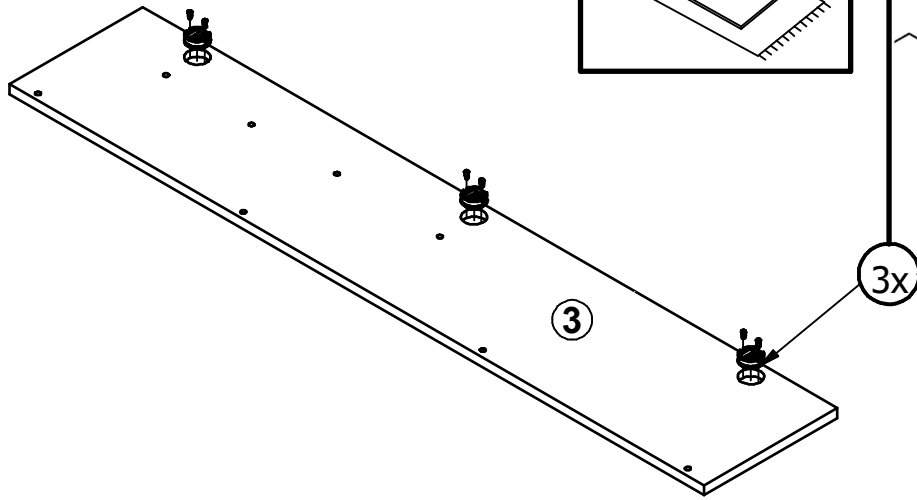
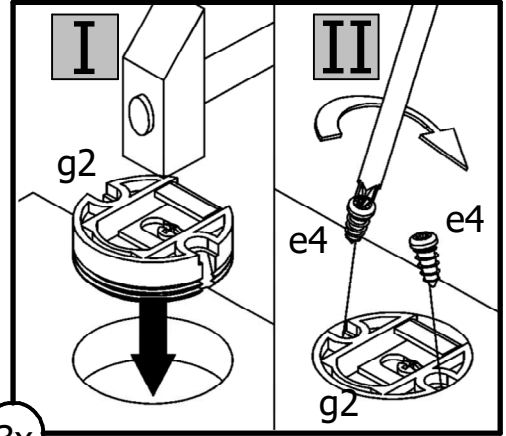
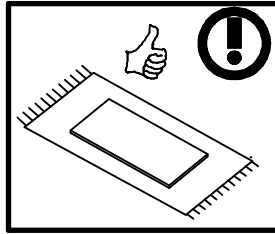


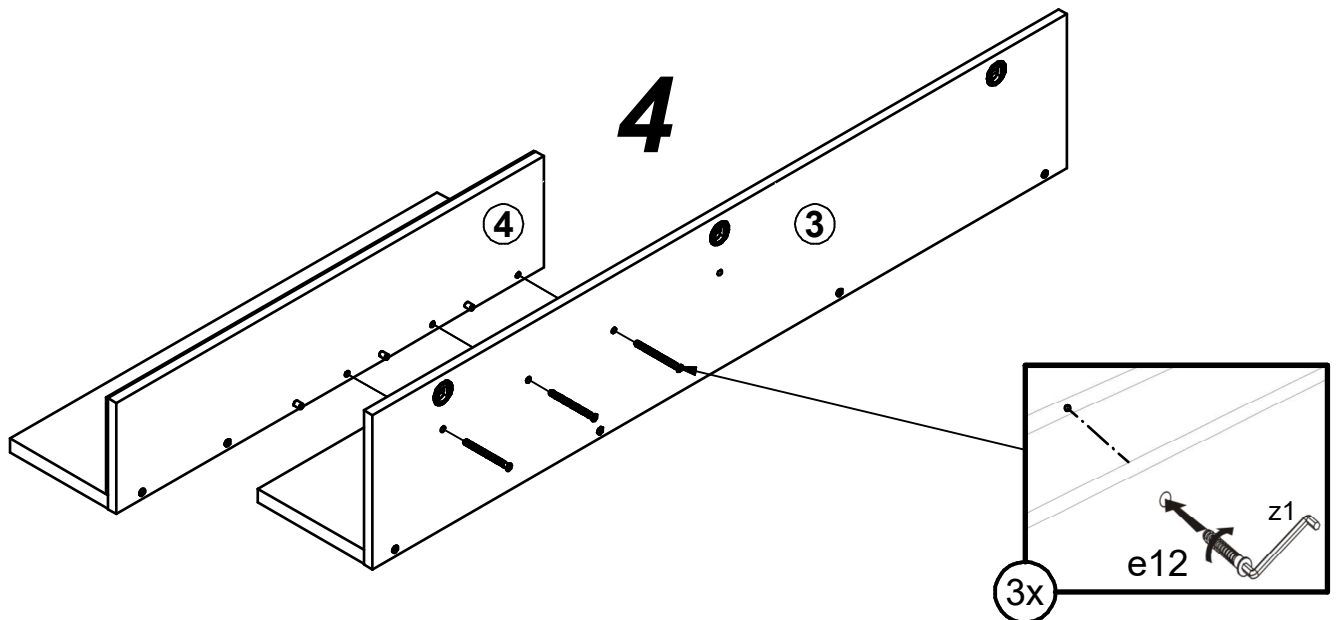
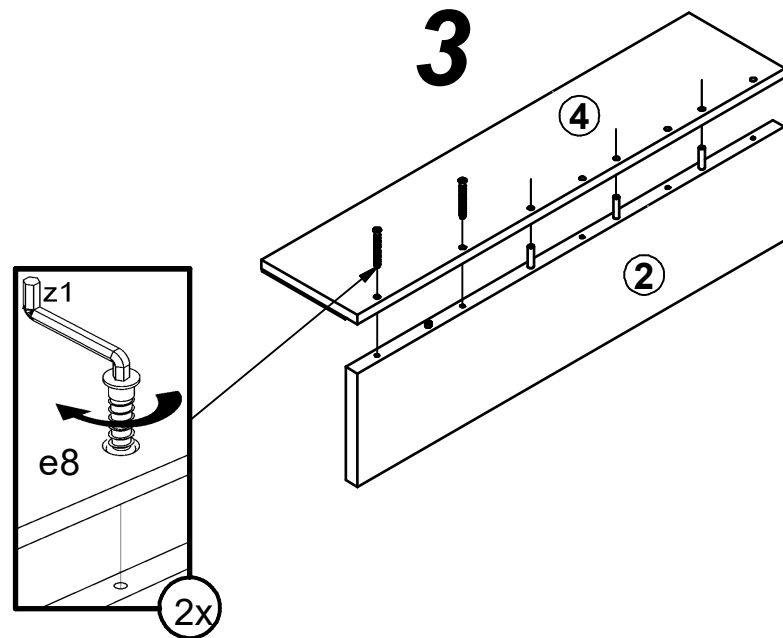
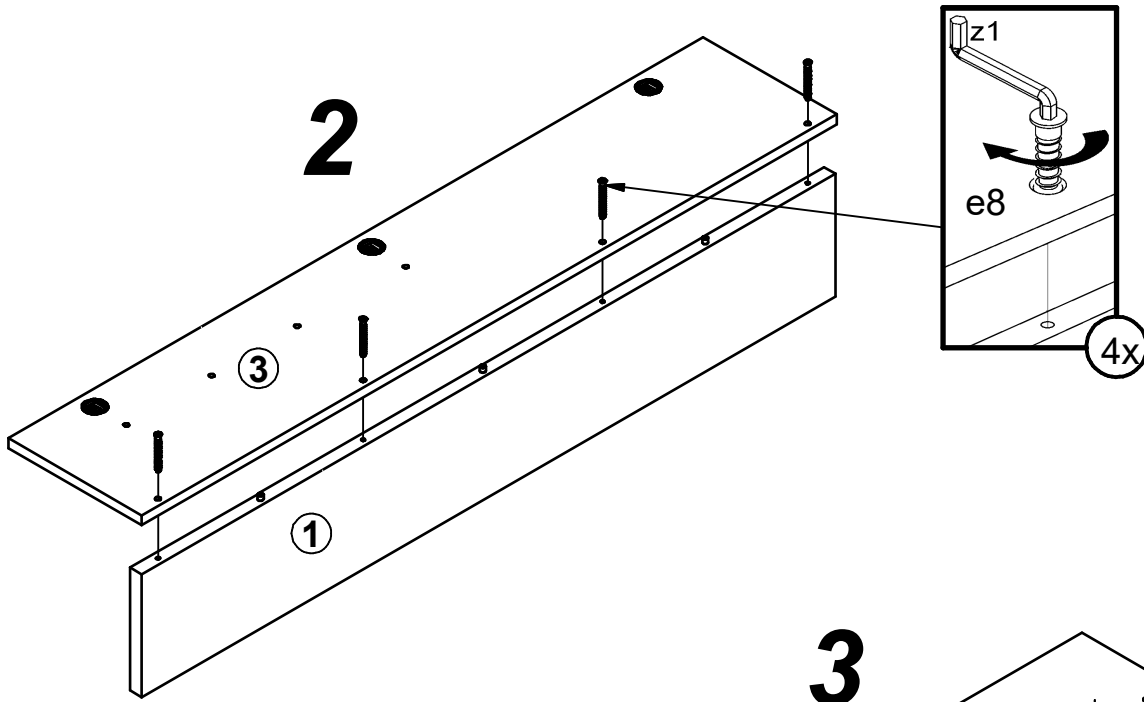


A	B	C1	C2	C3	D
1	S533-3019	1299	199	22	1/1
2	S533-3020	799	184	22	1/1
3	S533-4502	1300	250	16	1/1
4	S533-4503	800	180	19	1/1

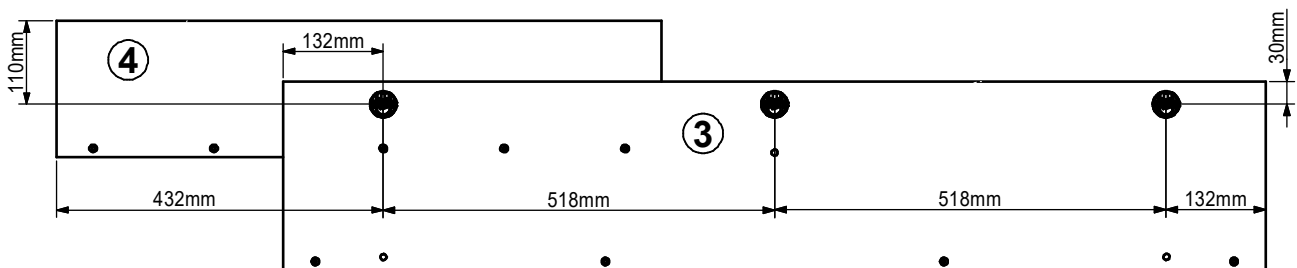
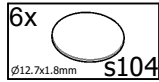
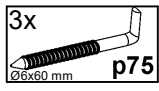
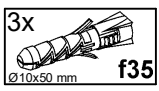
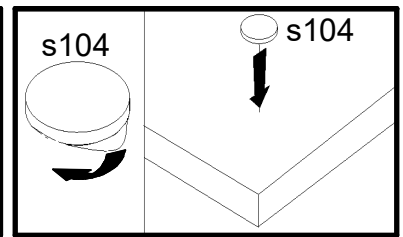
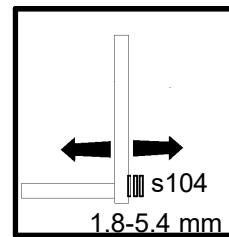
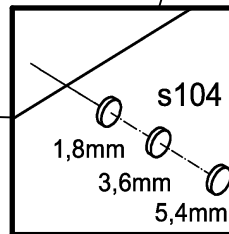
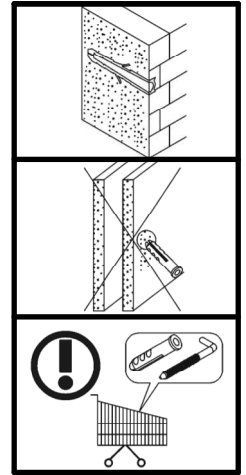
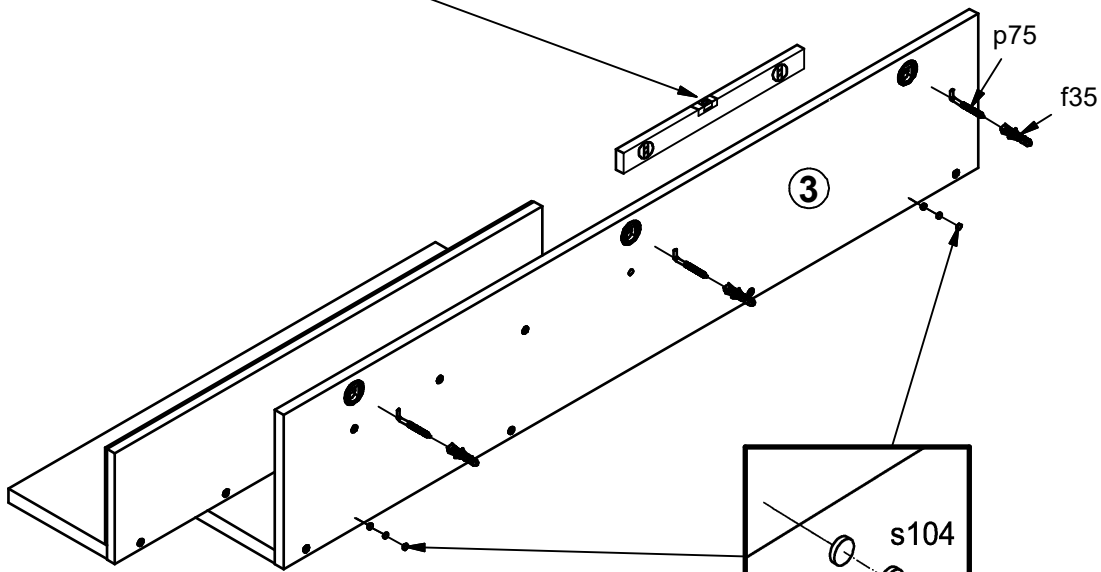
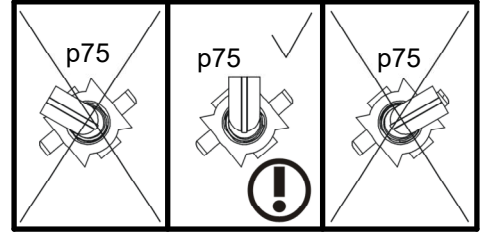
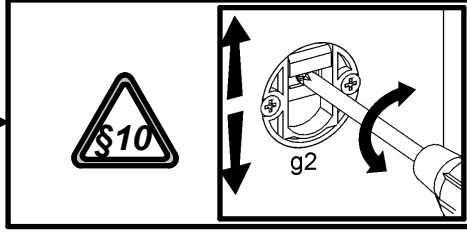
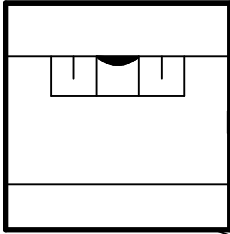
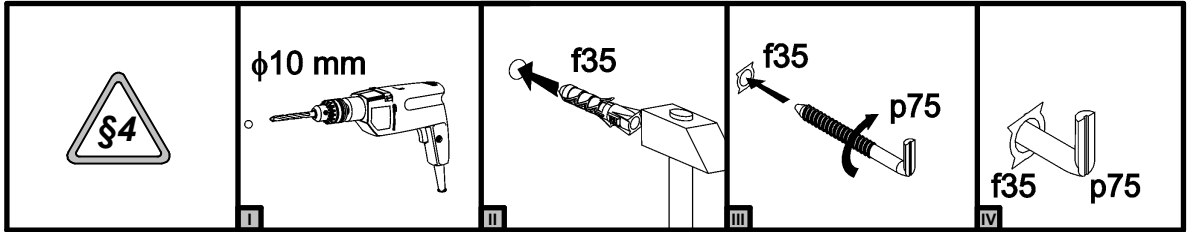


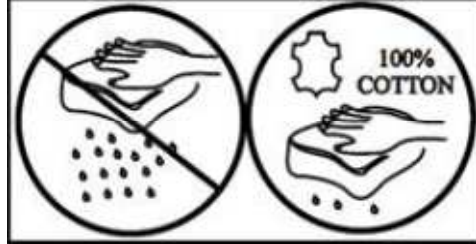
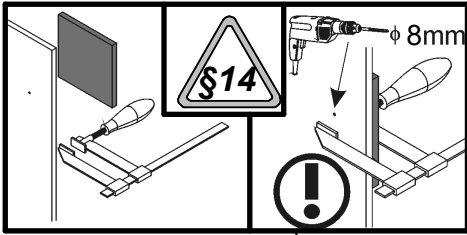
1 





5





6

