

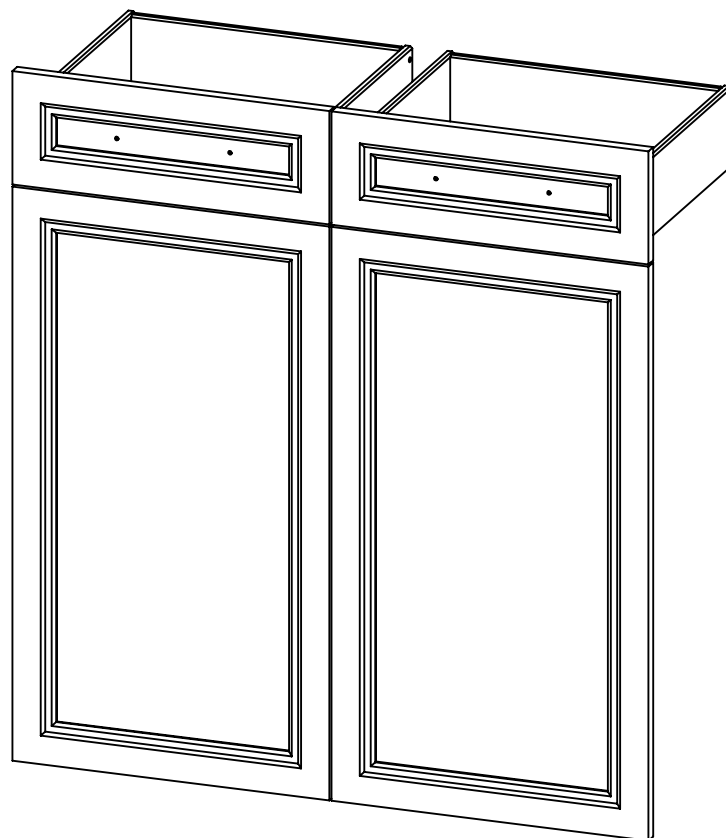
MEDIA

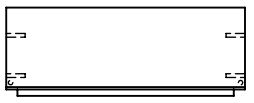
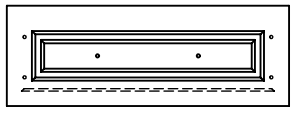
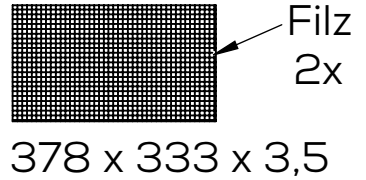
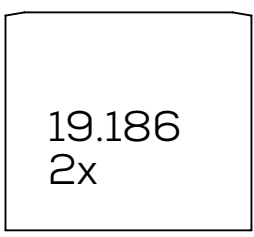
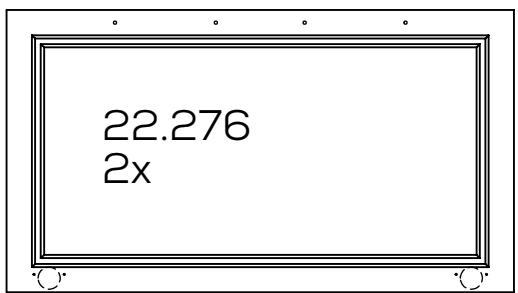
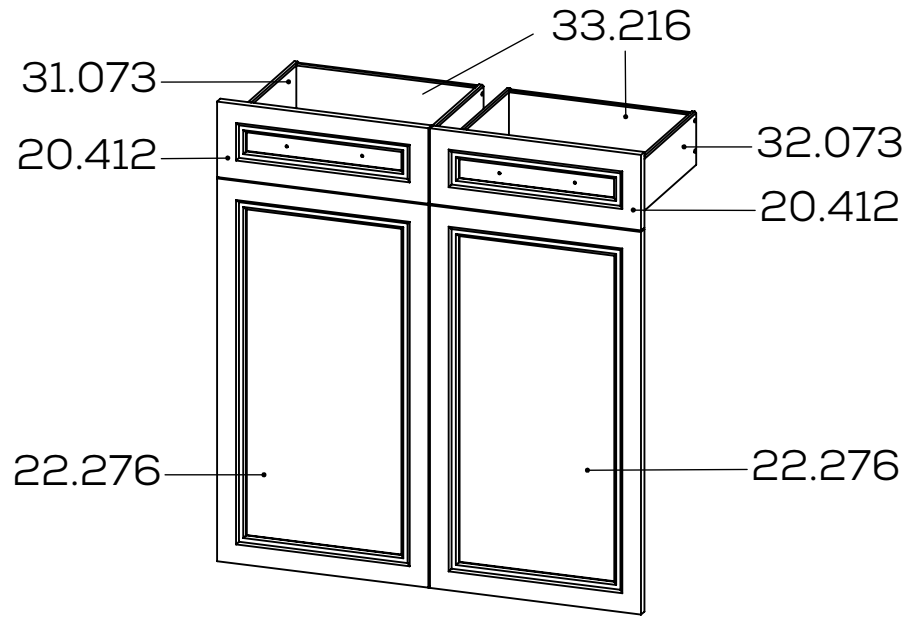
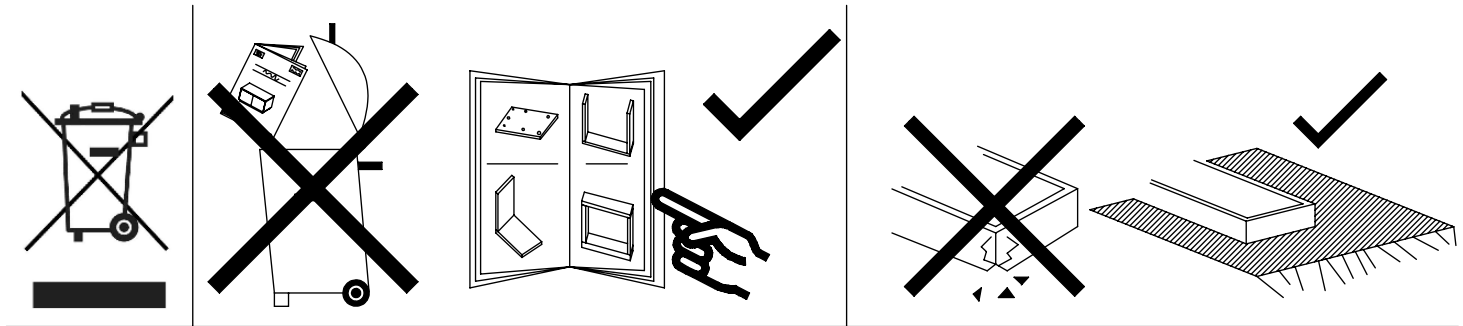
OFFICE

LIVING

MAJA
MÖBEL

K573



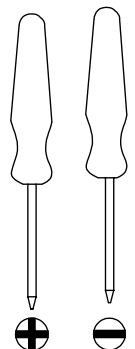
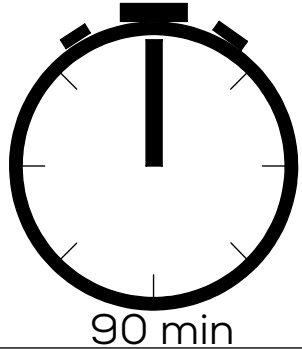
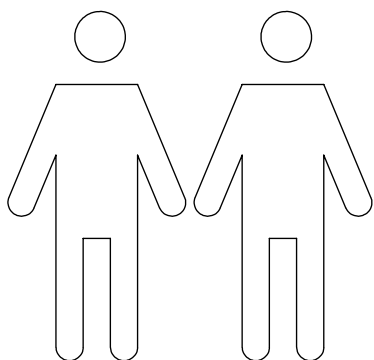
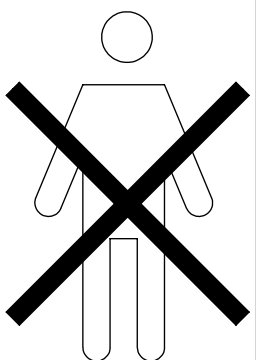


20.412
2x

31.073
2x

32.073
2x

33.216
2x



28.10.2020

1

90 min

maja-moebel.de

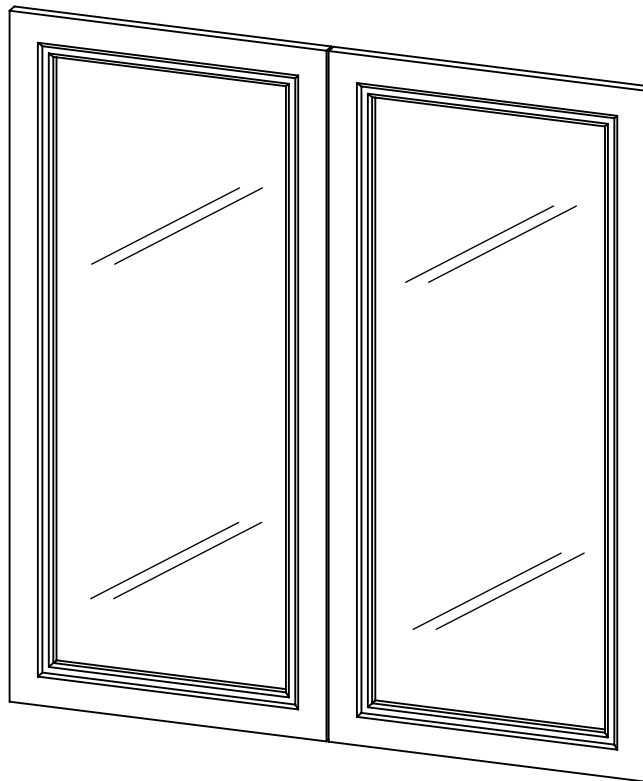
MEDIA

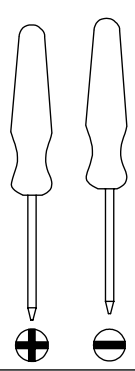
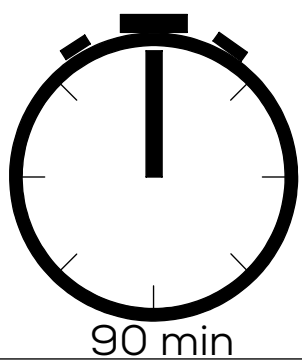
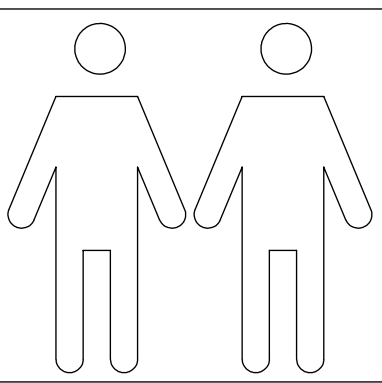
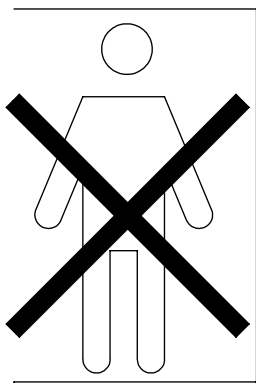
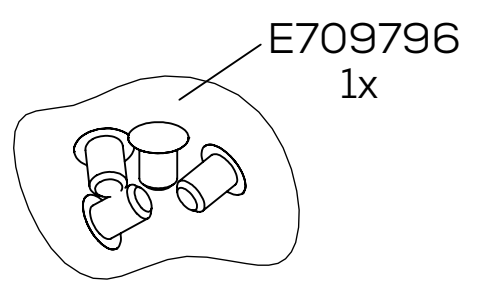
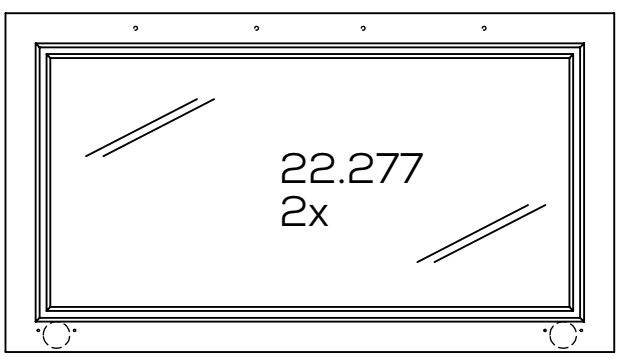
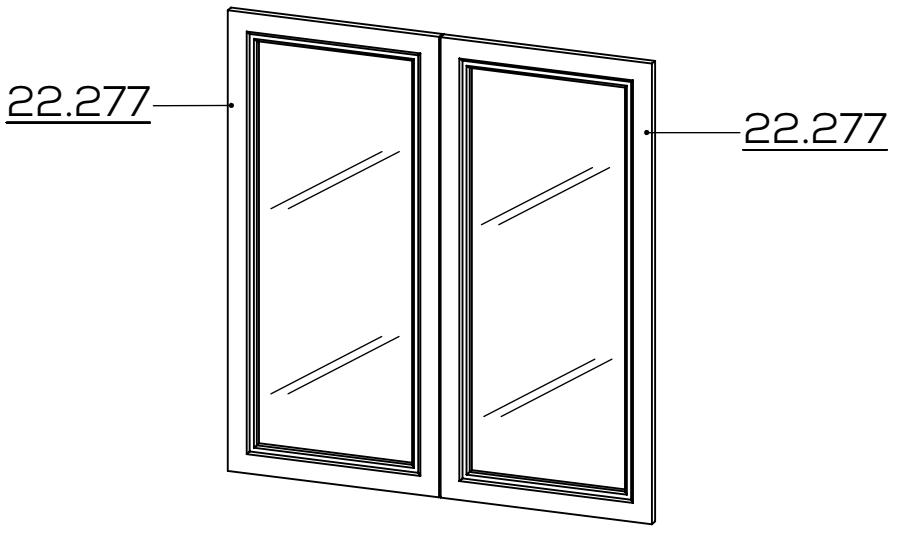
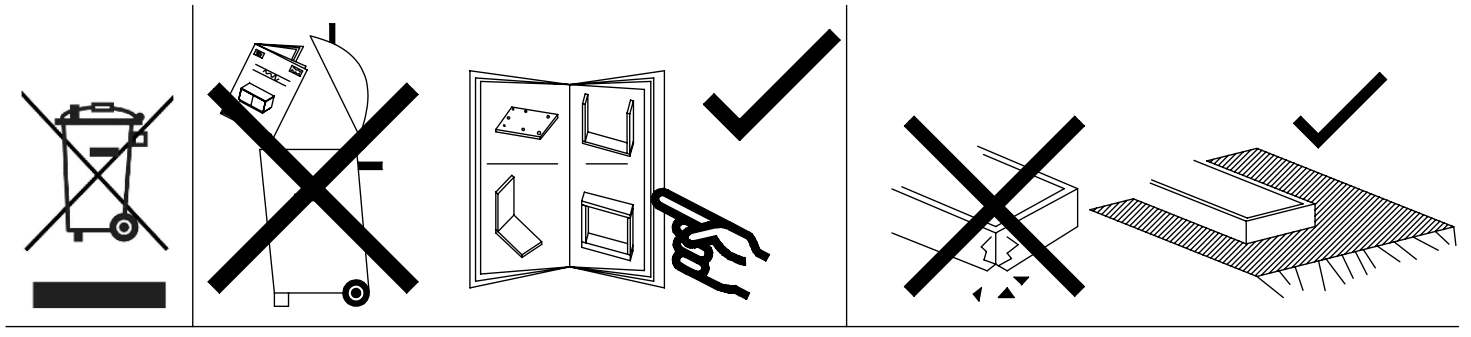
OFFICE

LIVING

MAJA
MÖBEL

K575





17.11.2020

1

maja-moebel.de

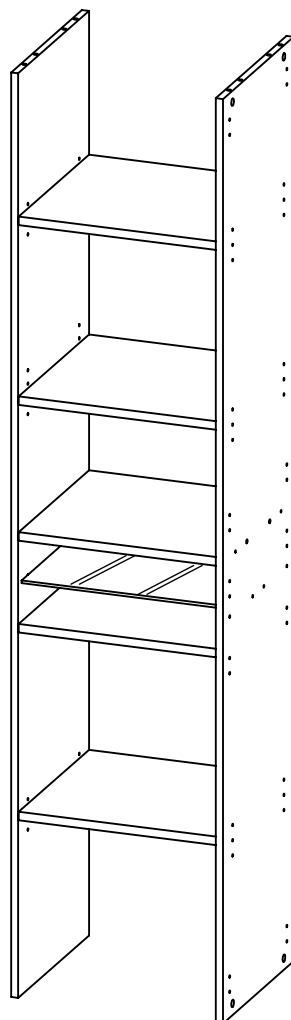
MEDIA

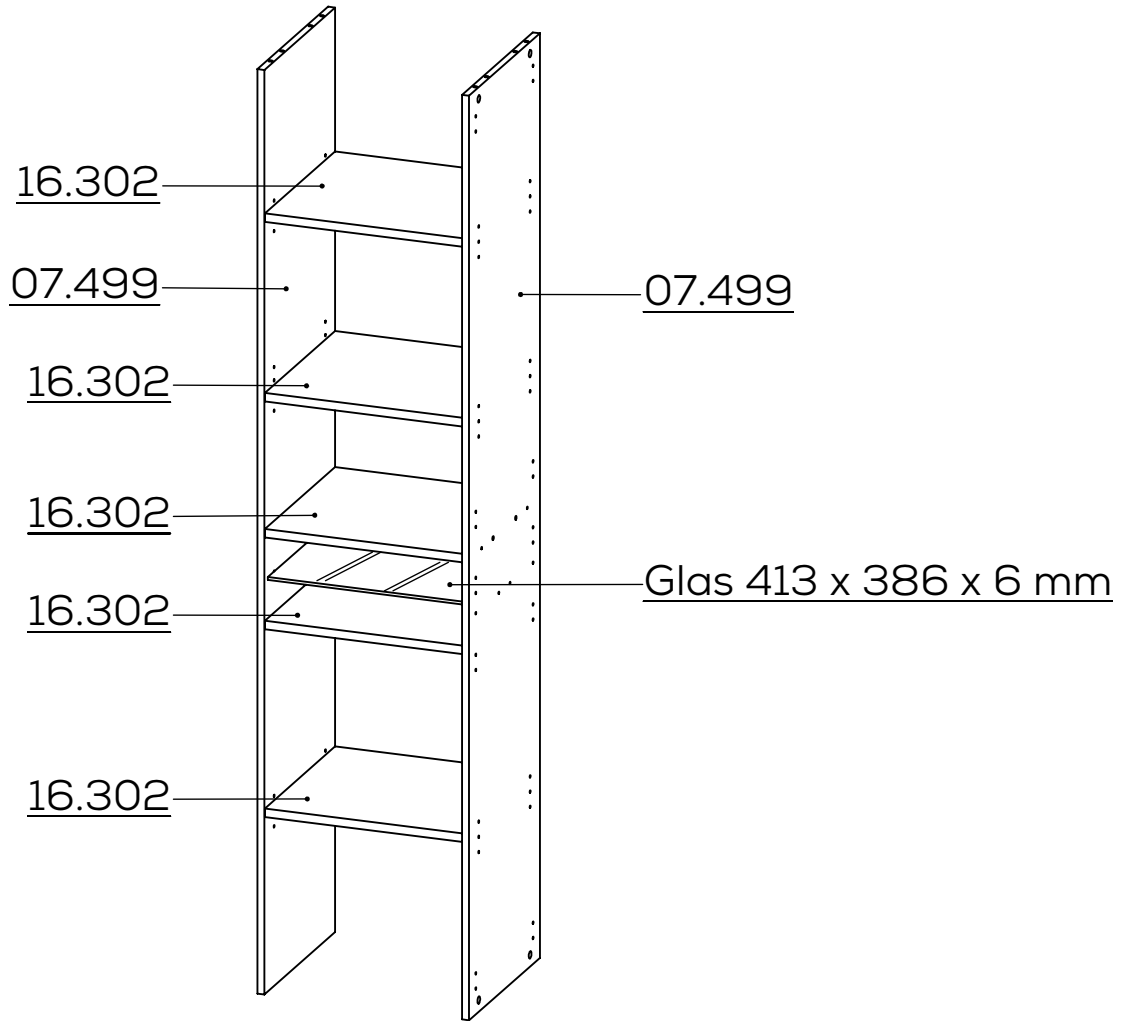
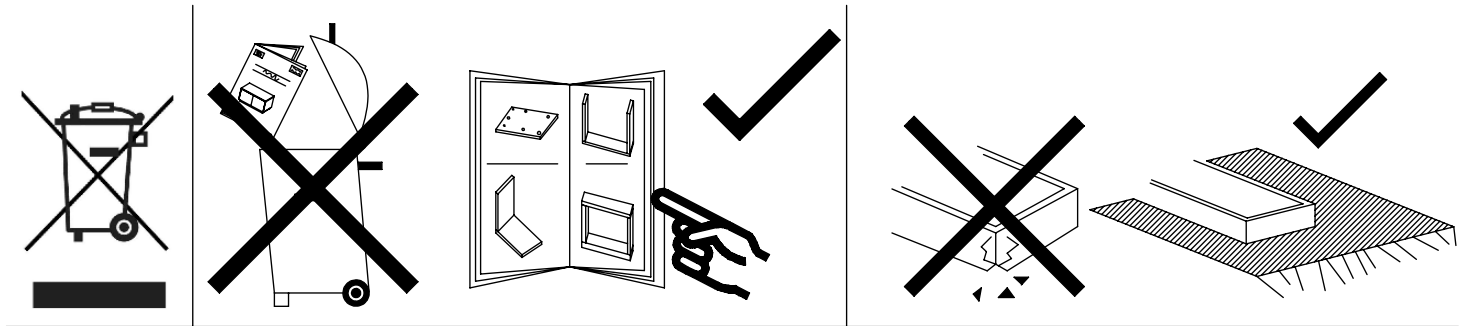
OFFICE

LIVING

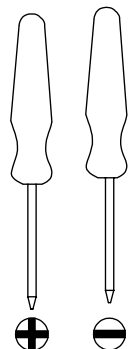
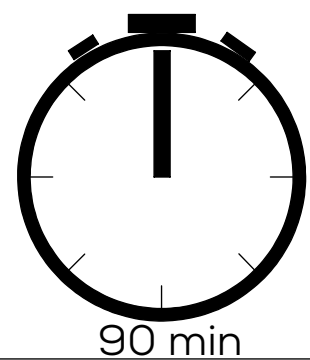
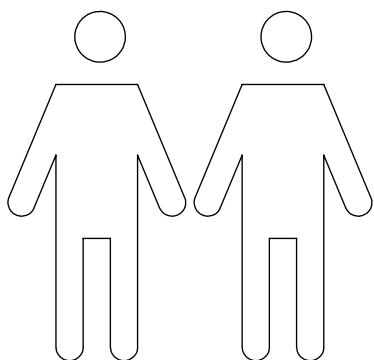
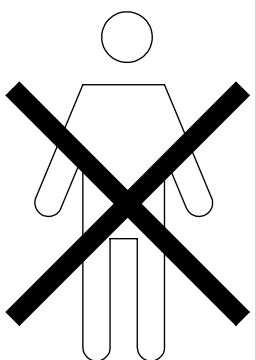
MAJA
MÖBEL

K825





<p>07.499 2x</p>	<p>16.302 5x</p>	<p>Glas 413 x 386</p>
------------------	------------------	---------------------------



26.10.2020

1

maja-moebel.de

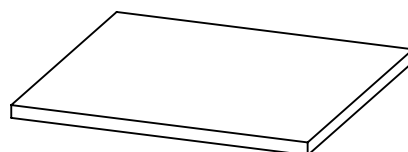
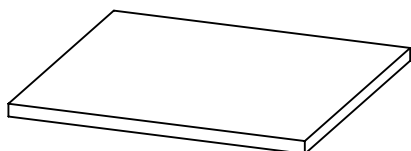
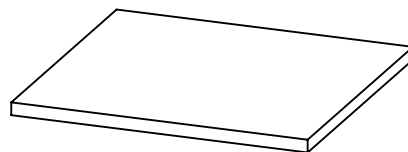
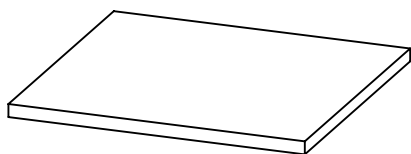
MEDIA

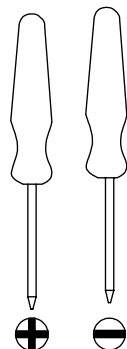
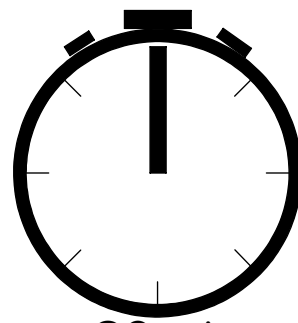
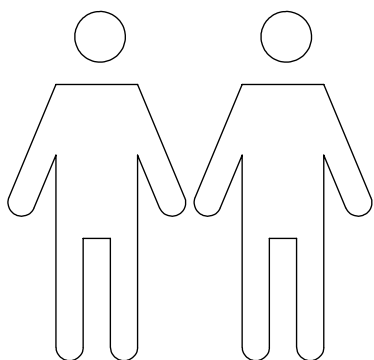
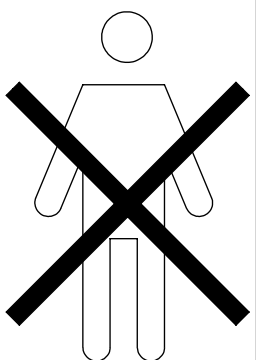
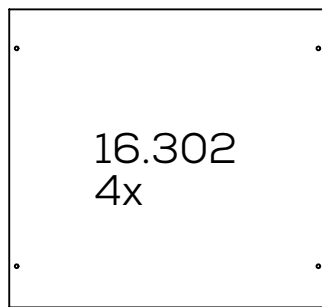
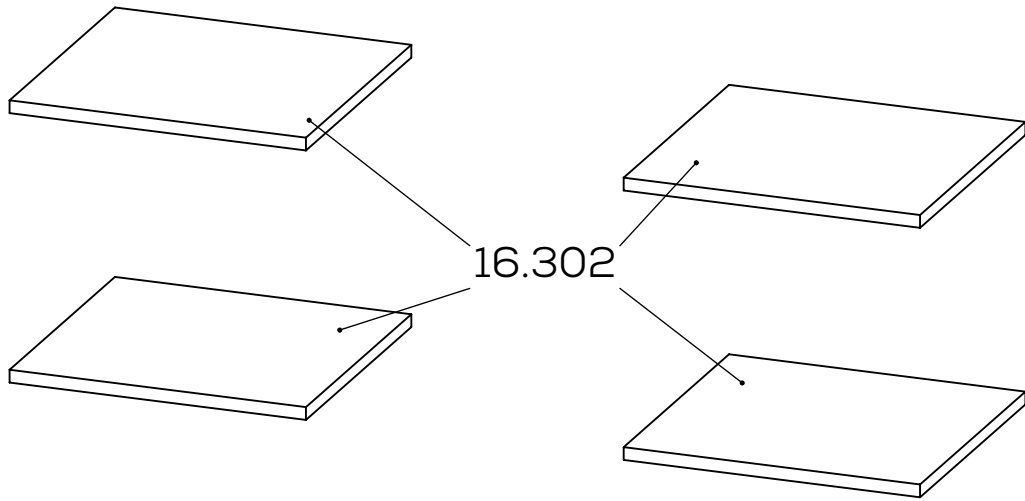
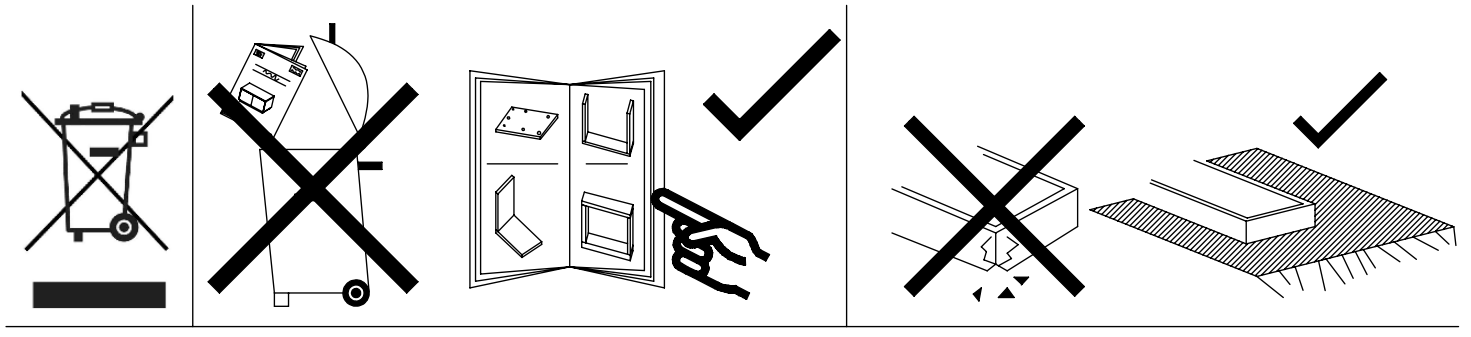
OFFICE

LIVING

MAJA
MÖBEL

K827





26.10.2020

1

90 min

maja-moebel.de

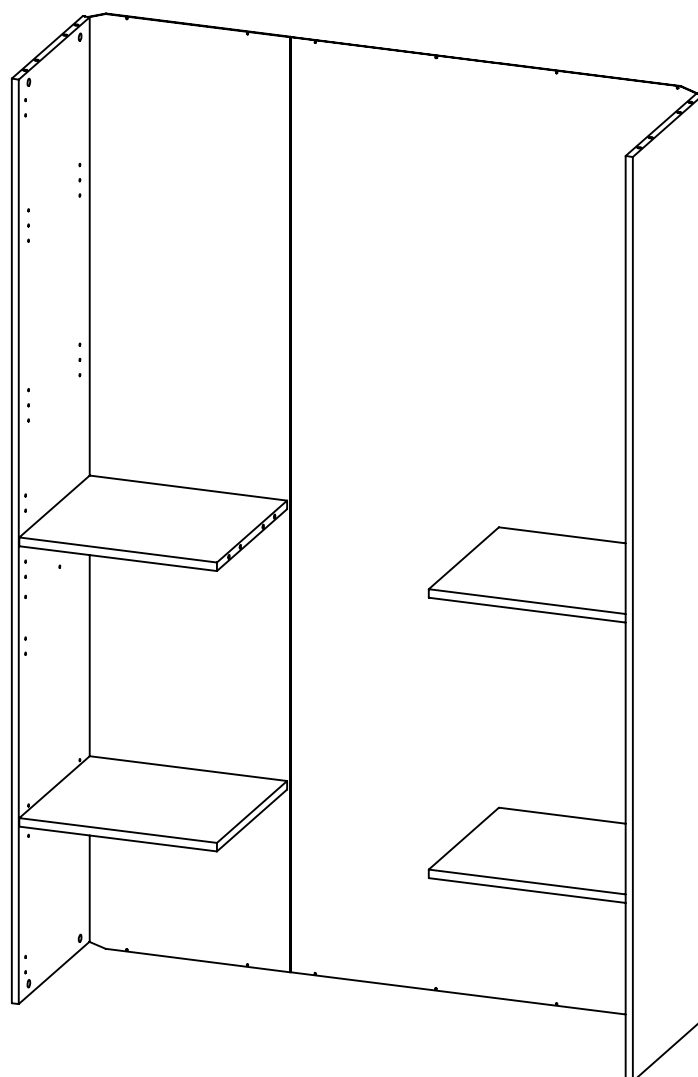
MEDIA

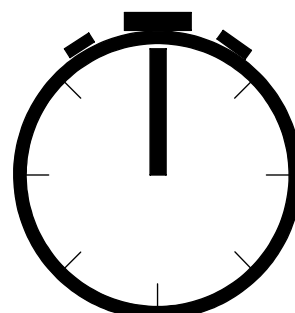
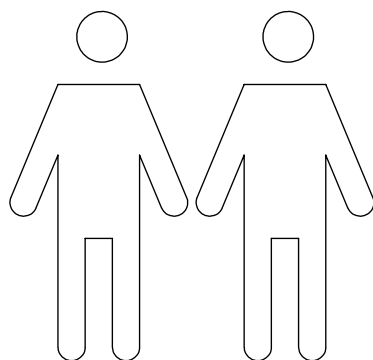
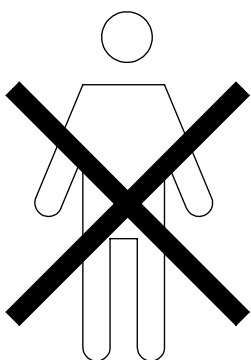
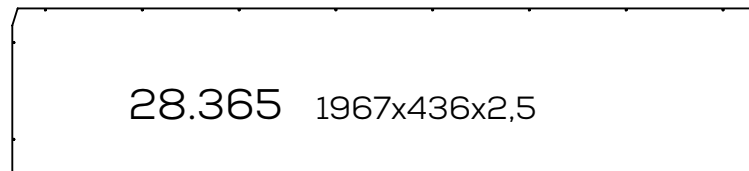
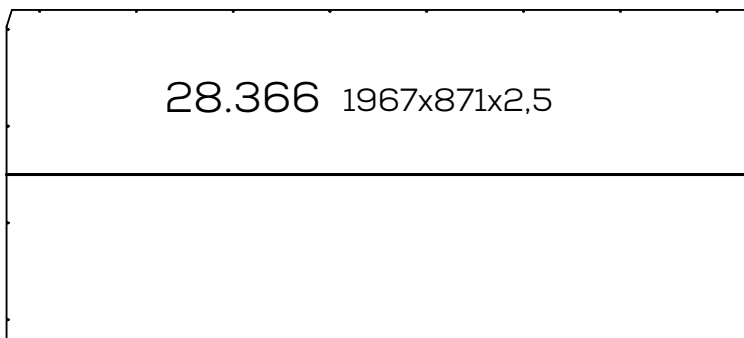
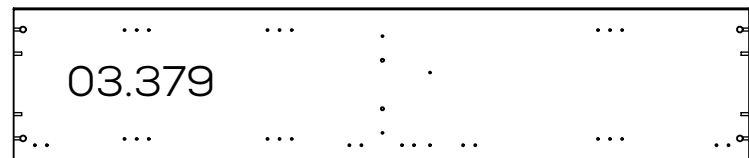
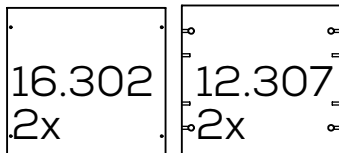
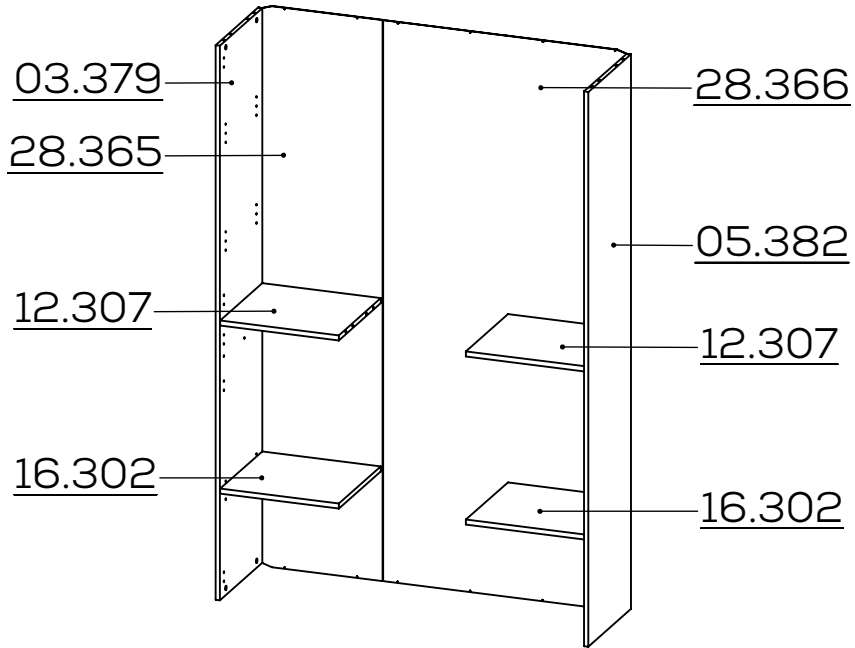
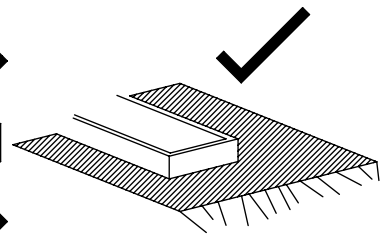
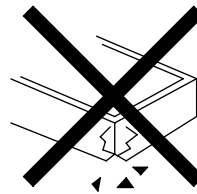
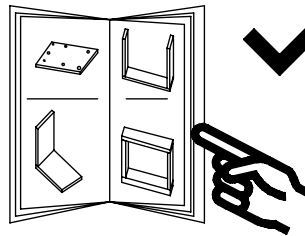
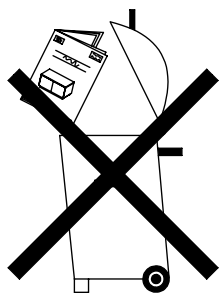
OFFICE

LIVING

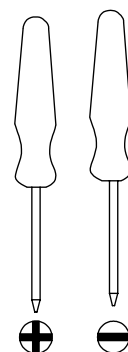
MAJA
MÖBEL

K832





90 min



26.10.2020

1

maja-moebel.de

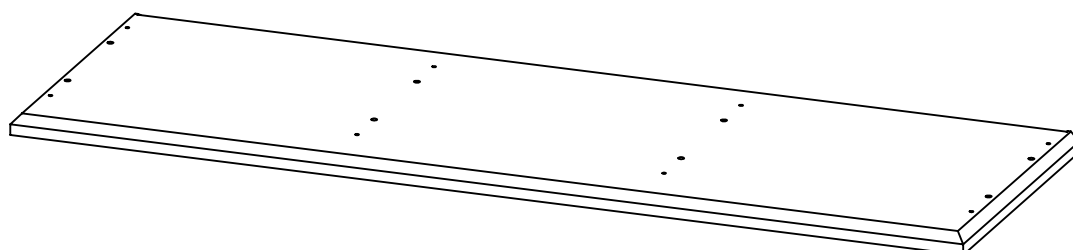
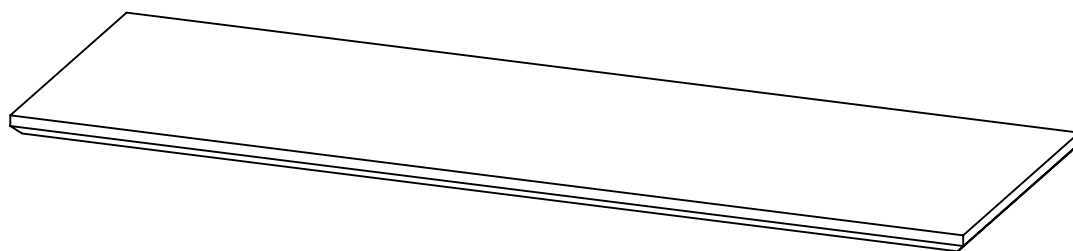
MEDIA

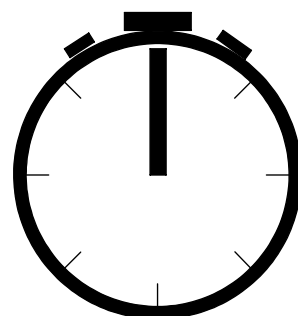
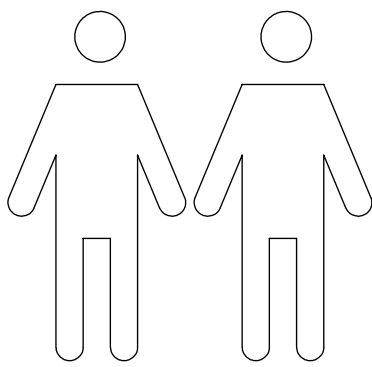
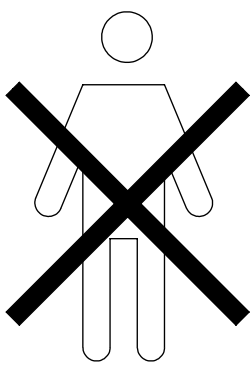
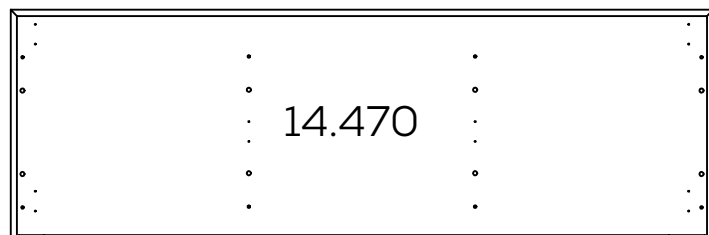
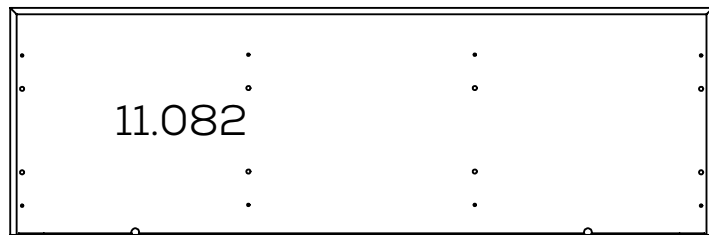
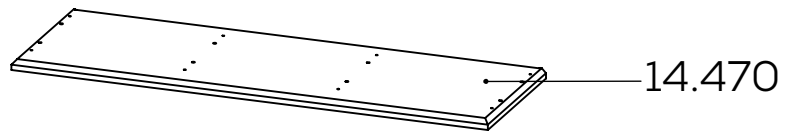
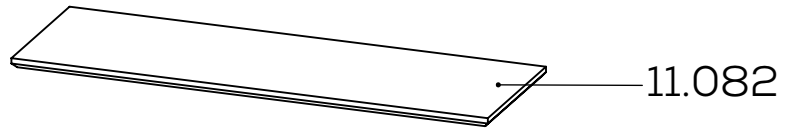
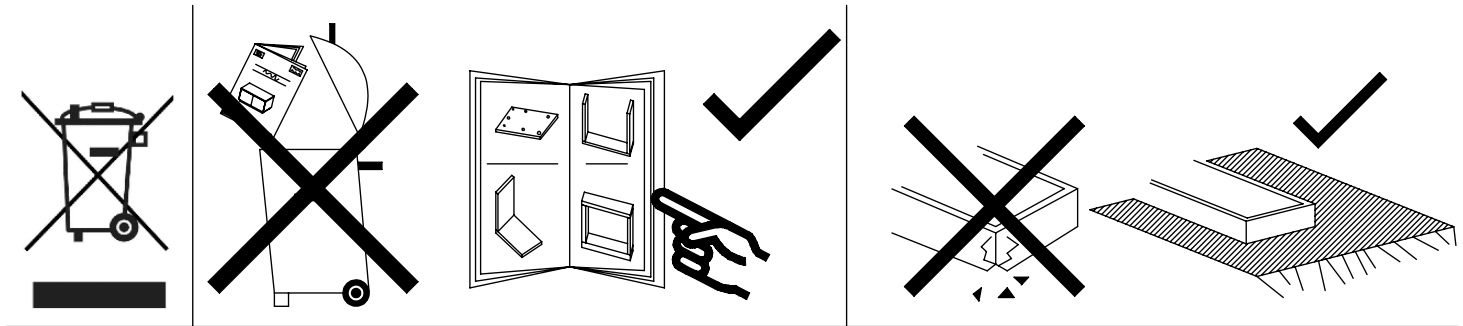
OFFICE

LIVING

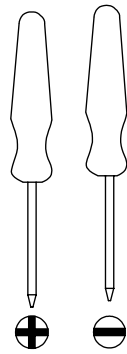
MAJA
MÖBEL

K834





90 min



21.10.2020

1

maja-moebel.de

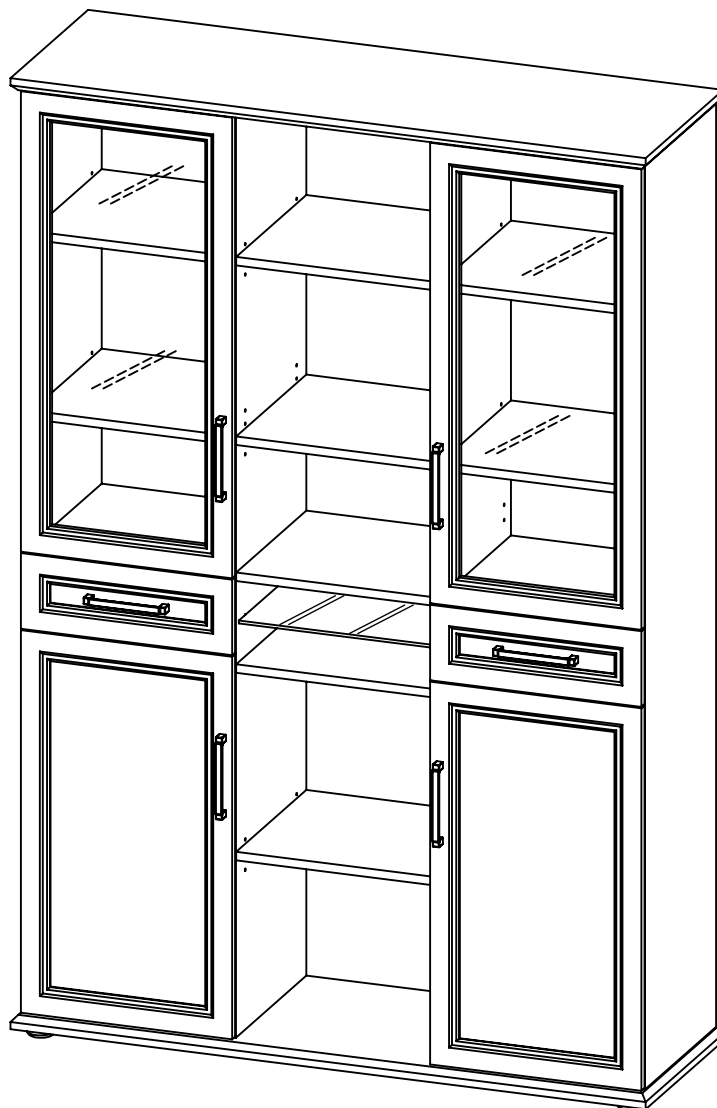
MEDIA

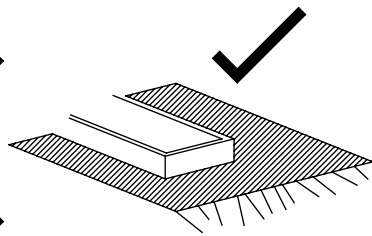
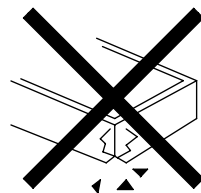
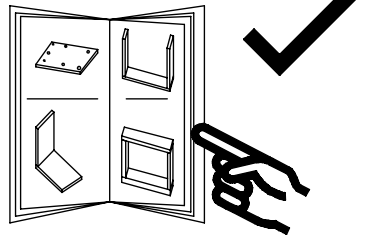
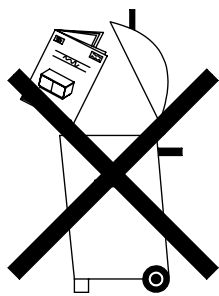
OFFICE

LIVING

MAJA
MÖBEL

K933





28.366

28.365

11.082

K574: 22.278

K575: 22.277

16.302

16.302

03.379

16.302

05.382

12.307

12.307

20.412

K574: 22.278

K575: 22.277

Glas
413x386x6mm

20.412

16.302

16.302

07.499

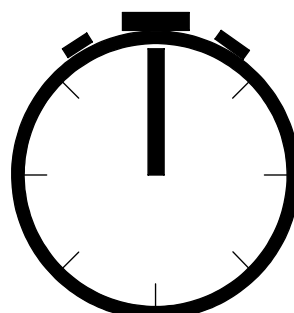
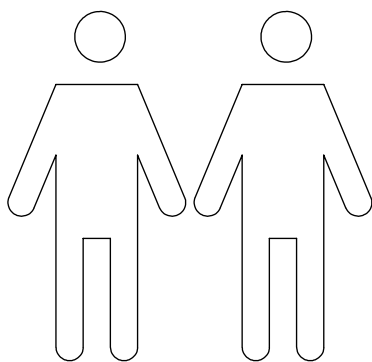
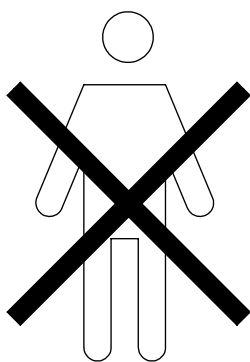
16.302

07.499

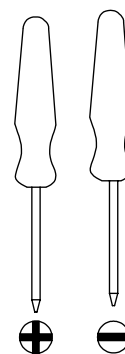
22.276

22.276

14.470



90 min

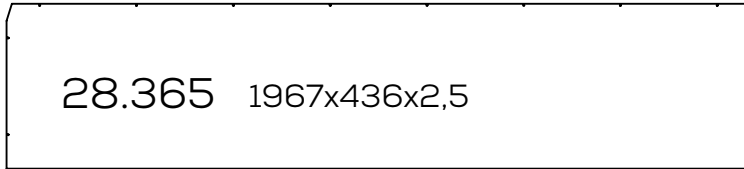
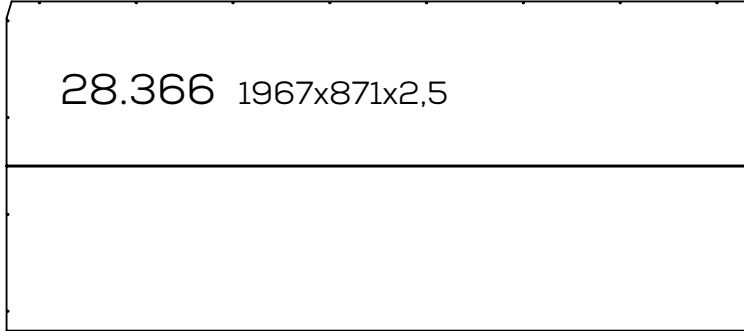
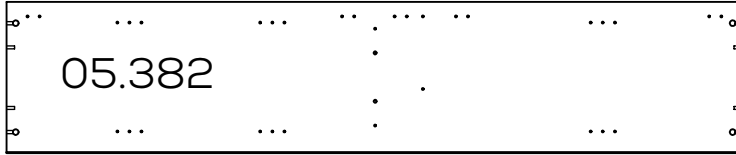
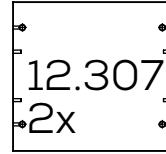
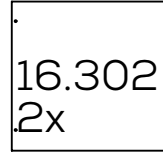


02.11.2020

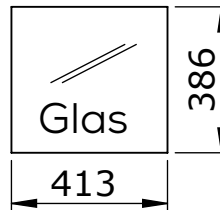
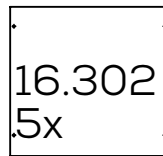
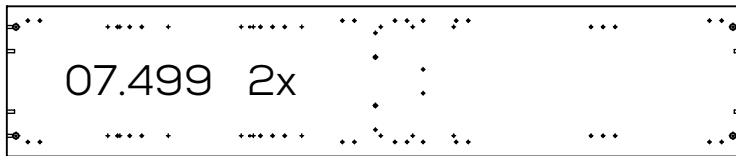
1

maja-moebel.de

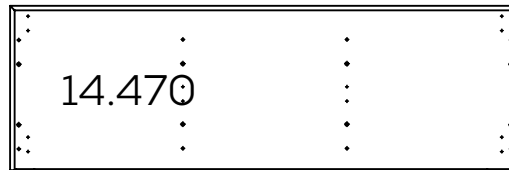
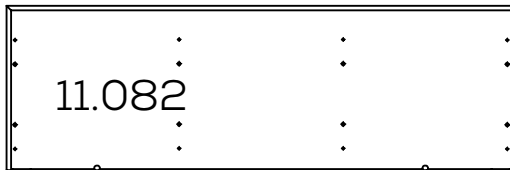
K832



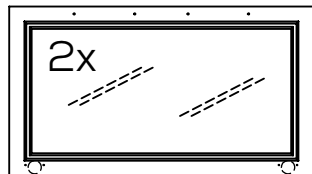
K825



K834



K574/K575

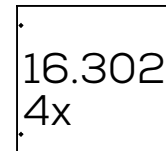


K574: 22.278

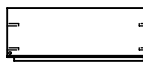
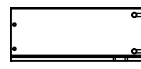
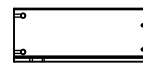
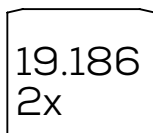
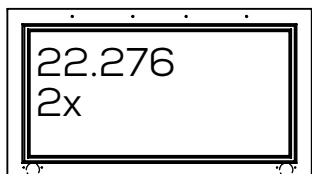
K575: 22.277 (Glas)
E709796 (1x)



K827



K573



Filz (2x)

E709407
378 x 333 x
3,5 mm

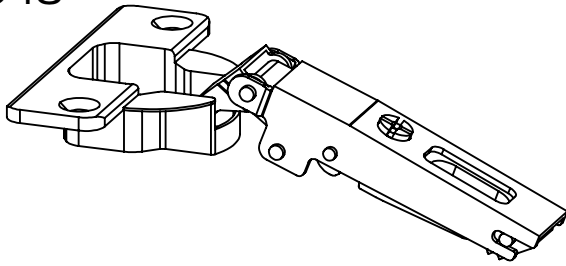
17.11.2020

2

maja-moebel.de

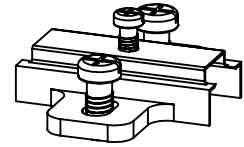
<p>E701000</p>  <p>24x</p>	<p>E701153</p>  <p>24x</p>	<p>E701231</p>  <p>32x</p>	<p>E701149</p>  <p>8x</p>
<p>E700020</p>  <p>16x Ø 3,5 x 13mm</p>	<p>E700060</p>  <p>48x Ø 3,5 x 17 mm</p>	<p>E701010</p>  <p>8x Ø 6,0 x 40mm</p>	<p>E702016</p>  <p>44x</p>
<p>E700570</p>  <p>8x M4 x 27mm</p>	<p>E700570</p>  <p>4x M4 x 12mm</p>	<p>E709318</p>  <p>1x</p>	
<p>E706300</p>  <p>6x</p>	<p>E700000</p>  <p>13x Ø 4,0 x 15mm</p>	<p>E700700</p>  <p>2x</p>	<p>E700140</p>  <p>8x Ø 6,3 x 13mm</p>
<p>E710233</p>  <p>6x</p>			<p>E703408</p>  <p>4x</p>
<p>E704475(1x) + E704476(2x)</p>  <p>6x</p>		<p>E702020</p>  <p>4x</p>	

E705048



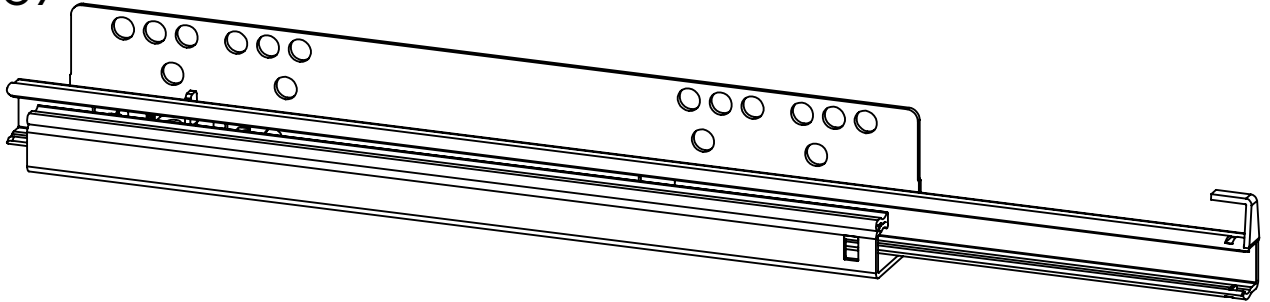
8x

E705071



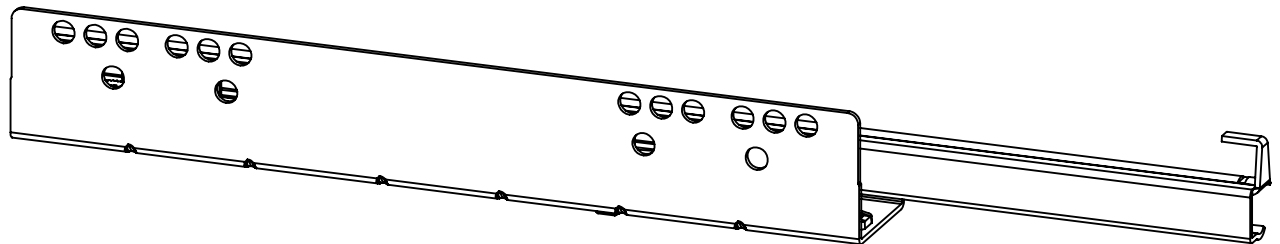
8x

E703107

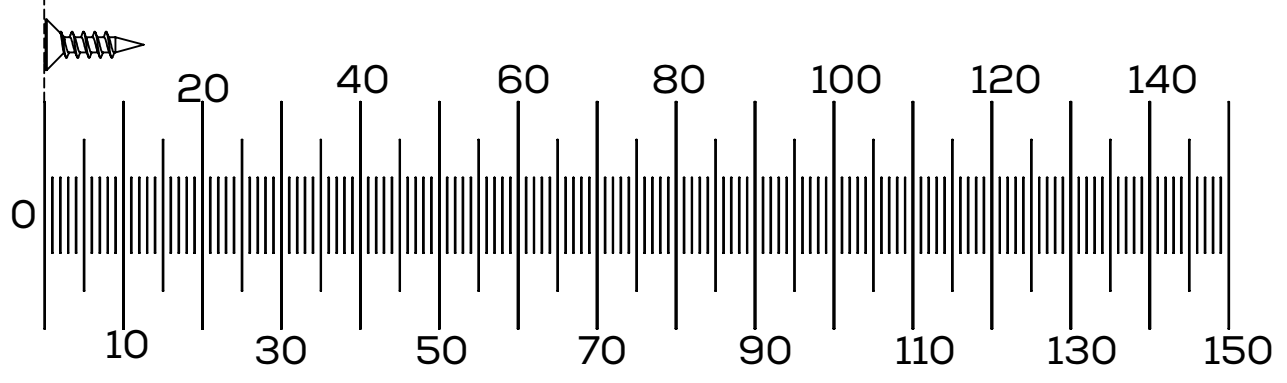
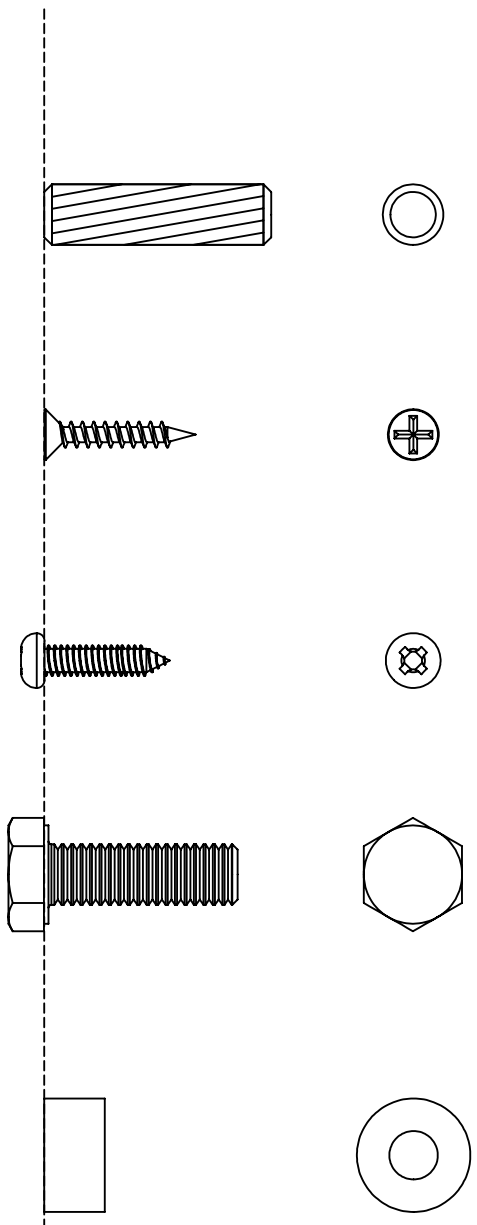


2x

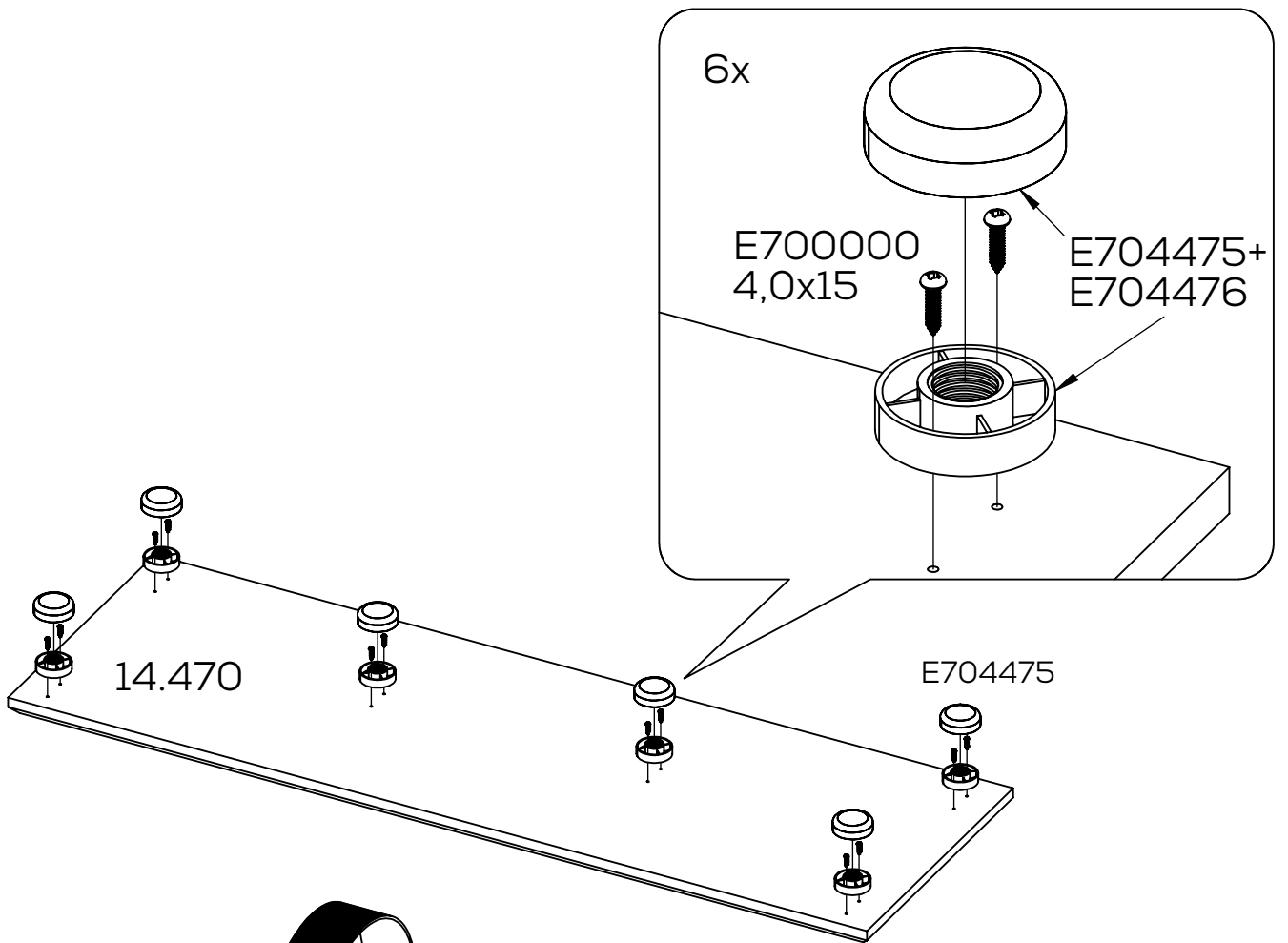
E703108



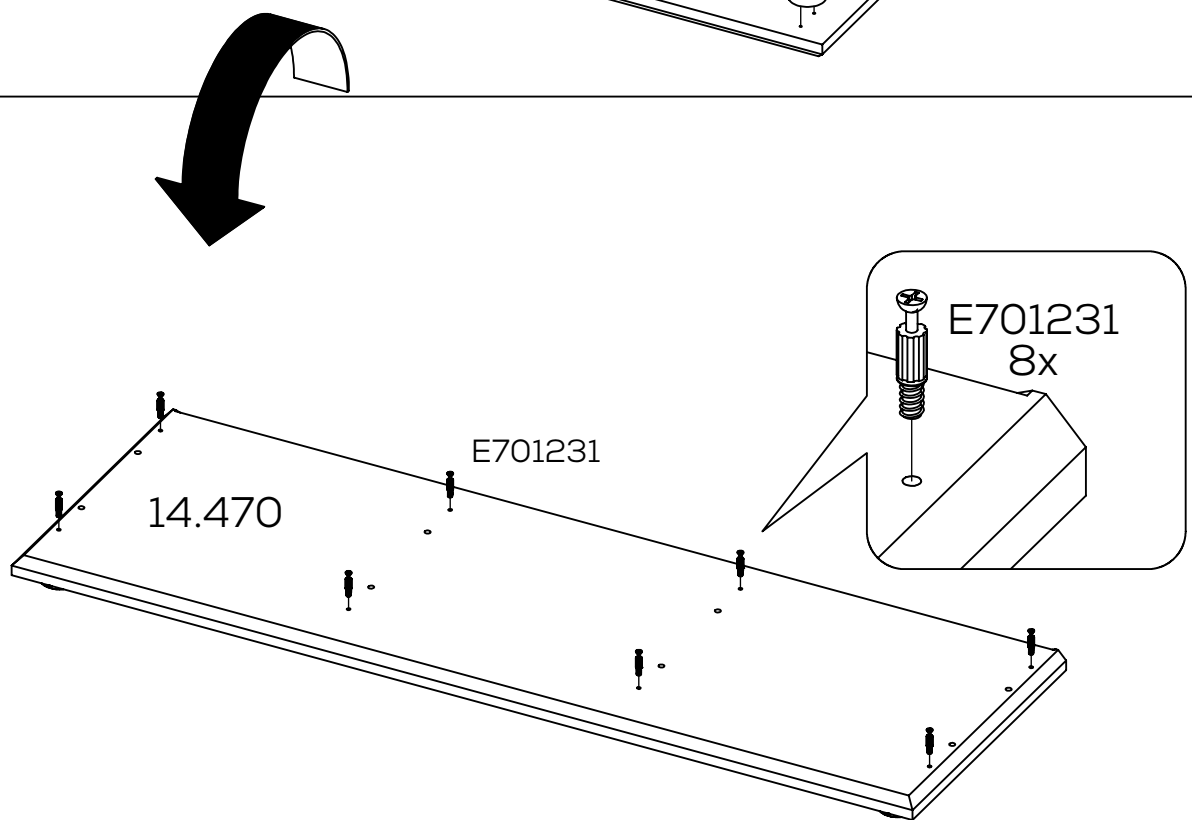
2x

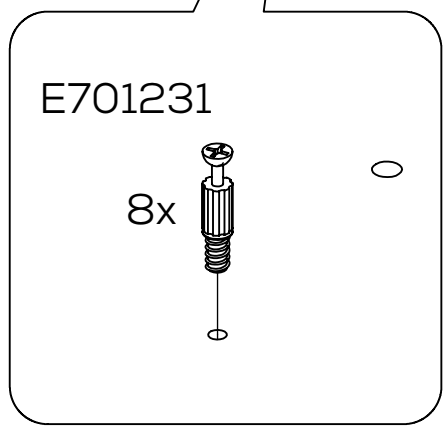
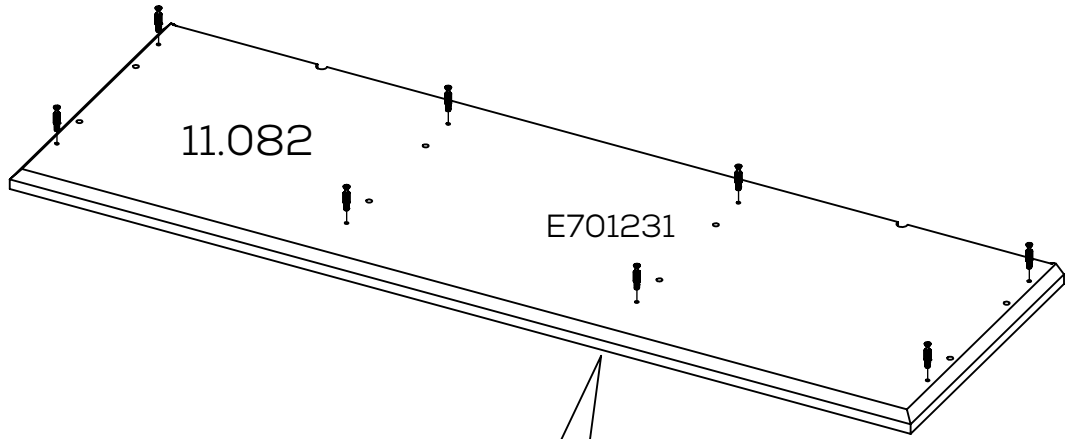


1

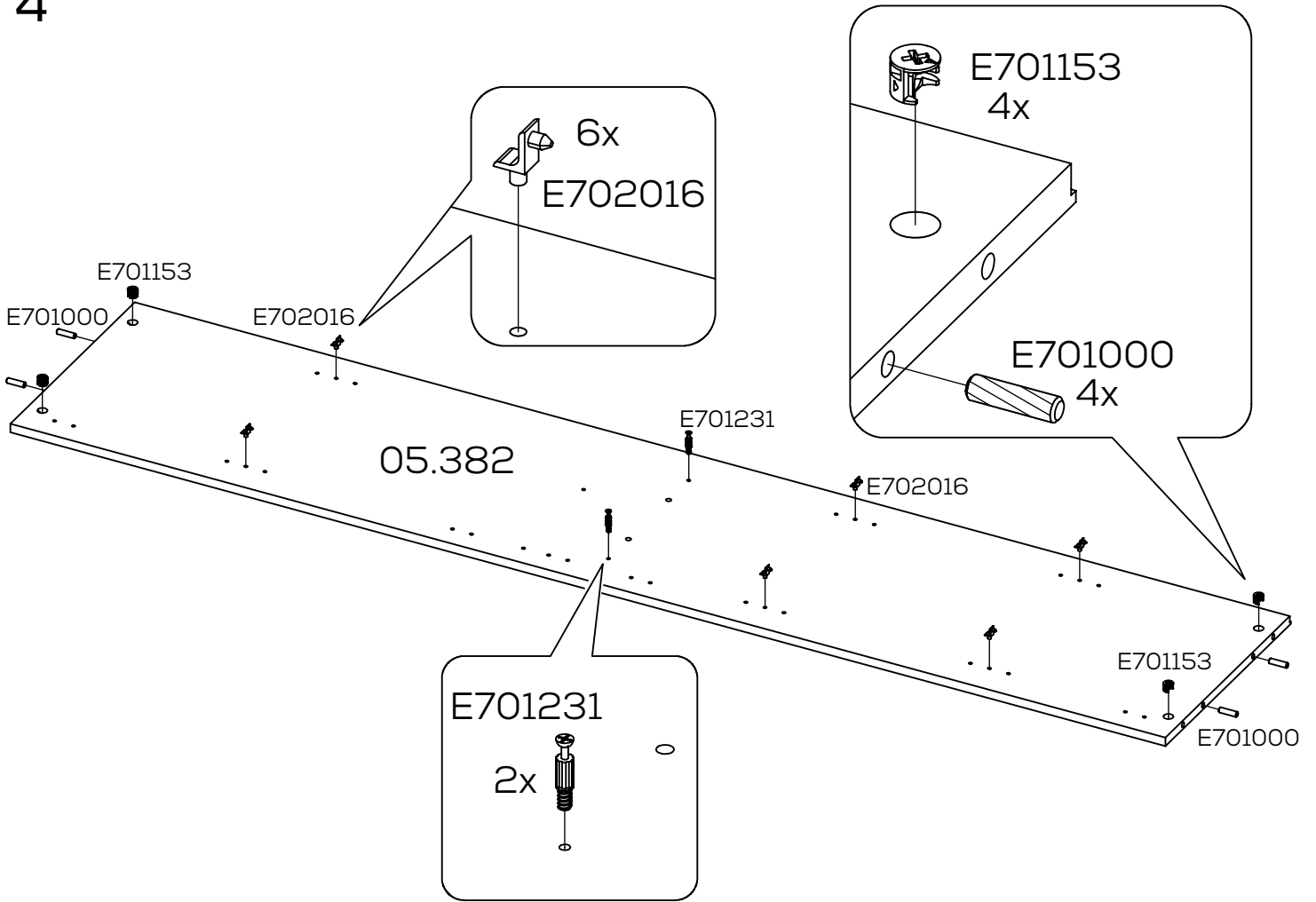


2

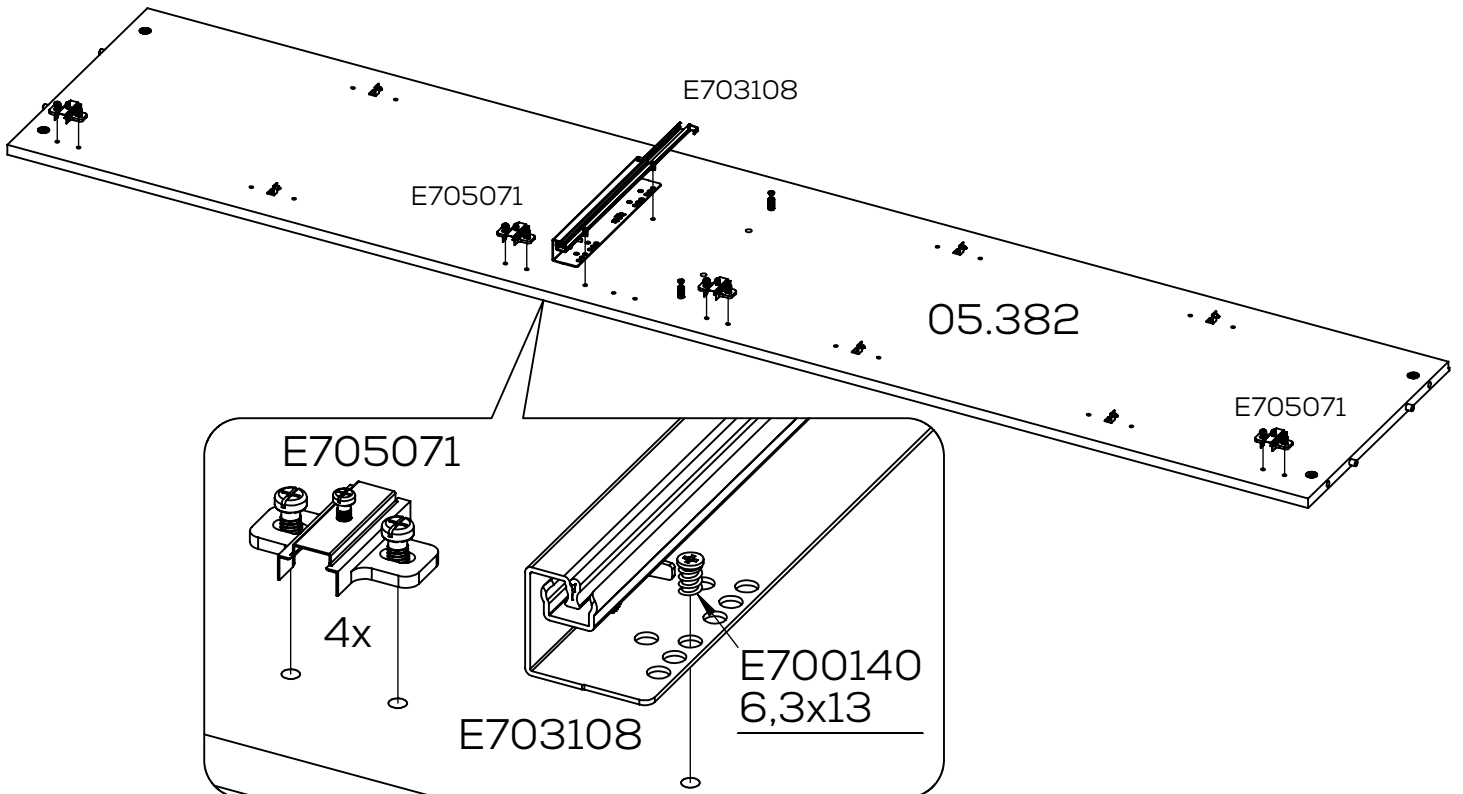




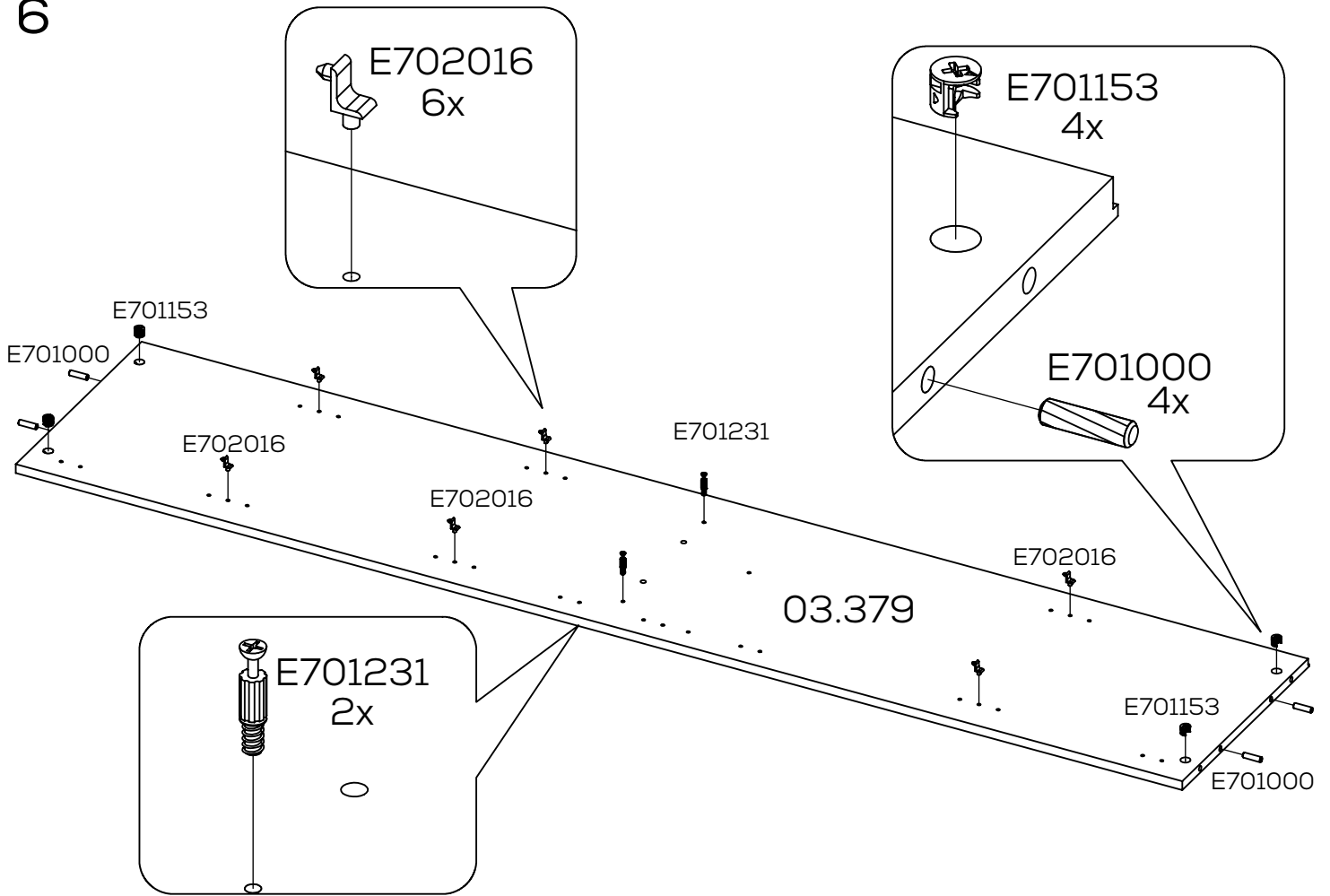
4



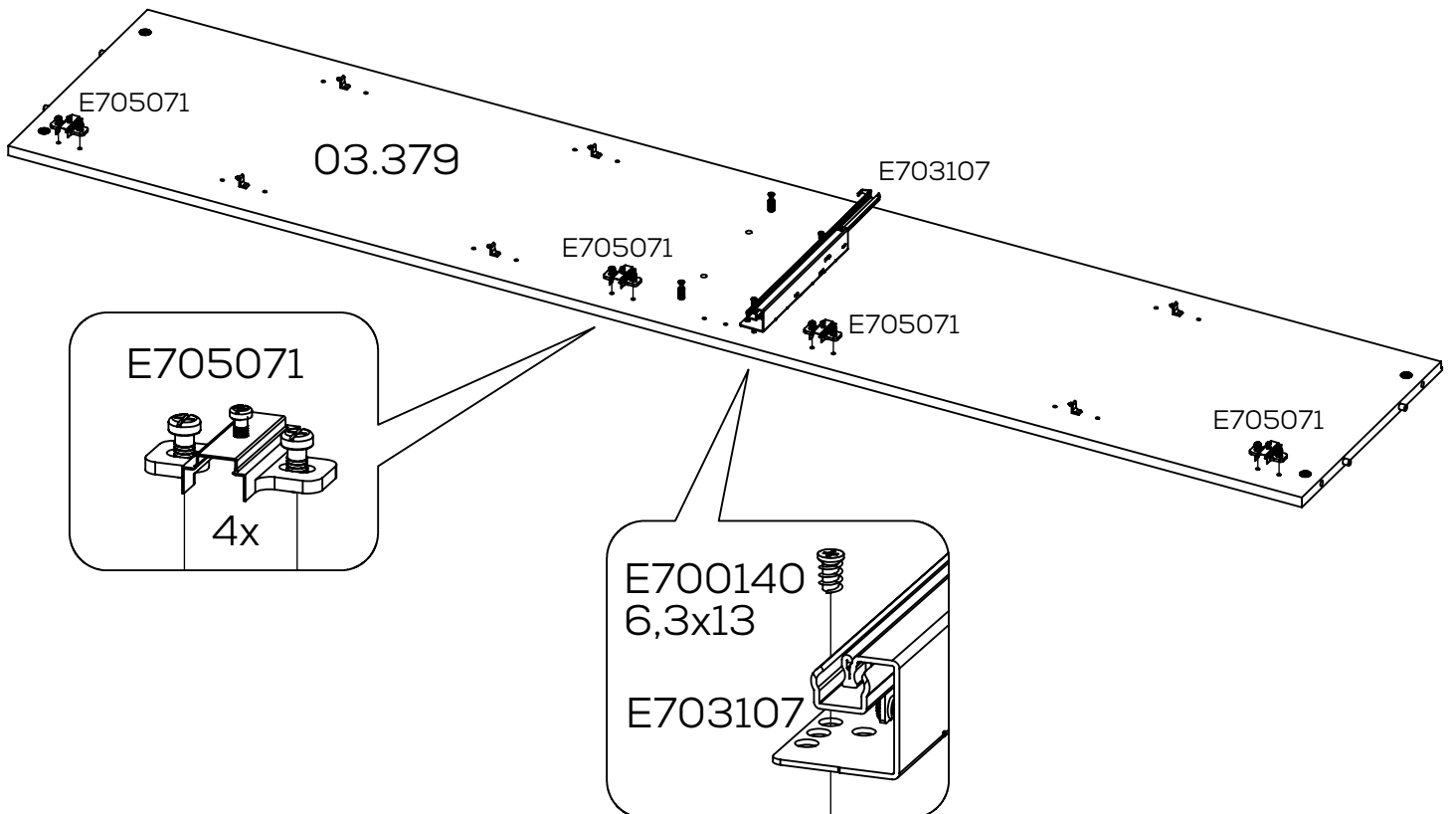
5

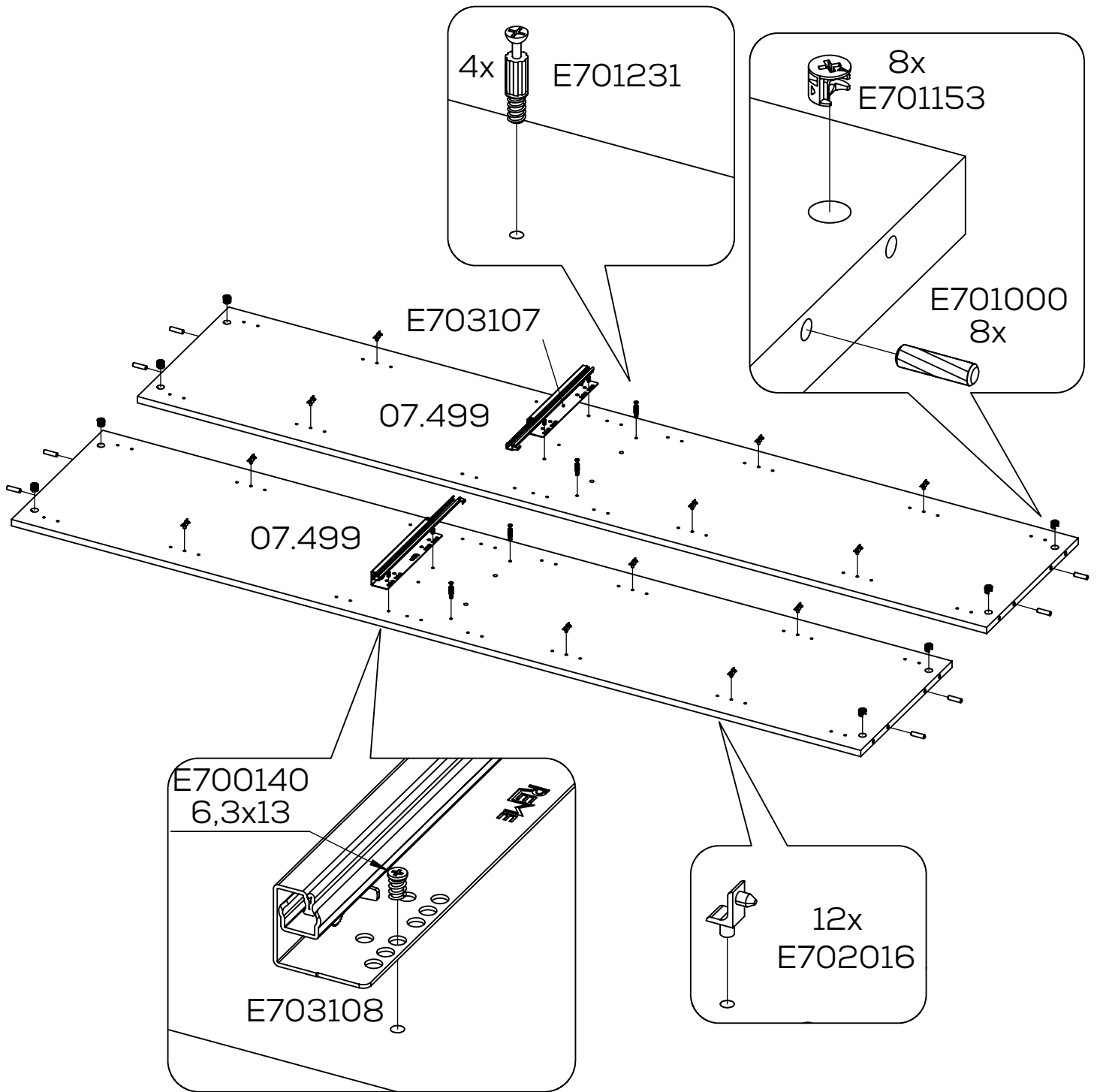


6

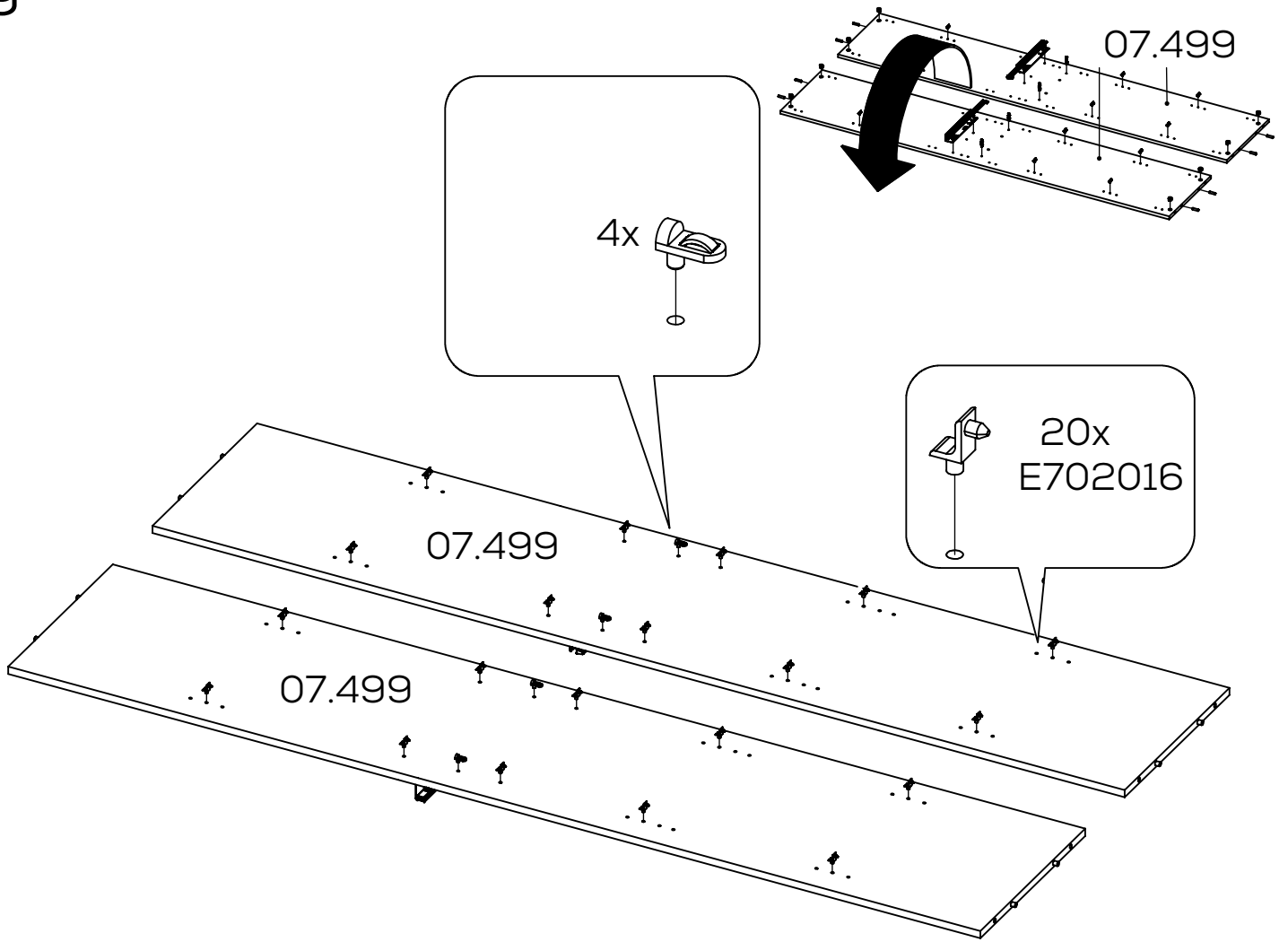


7

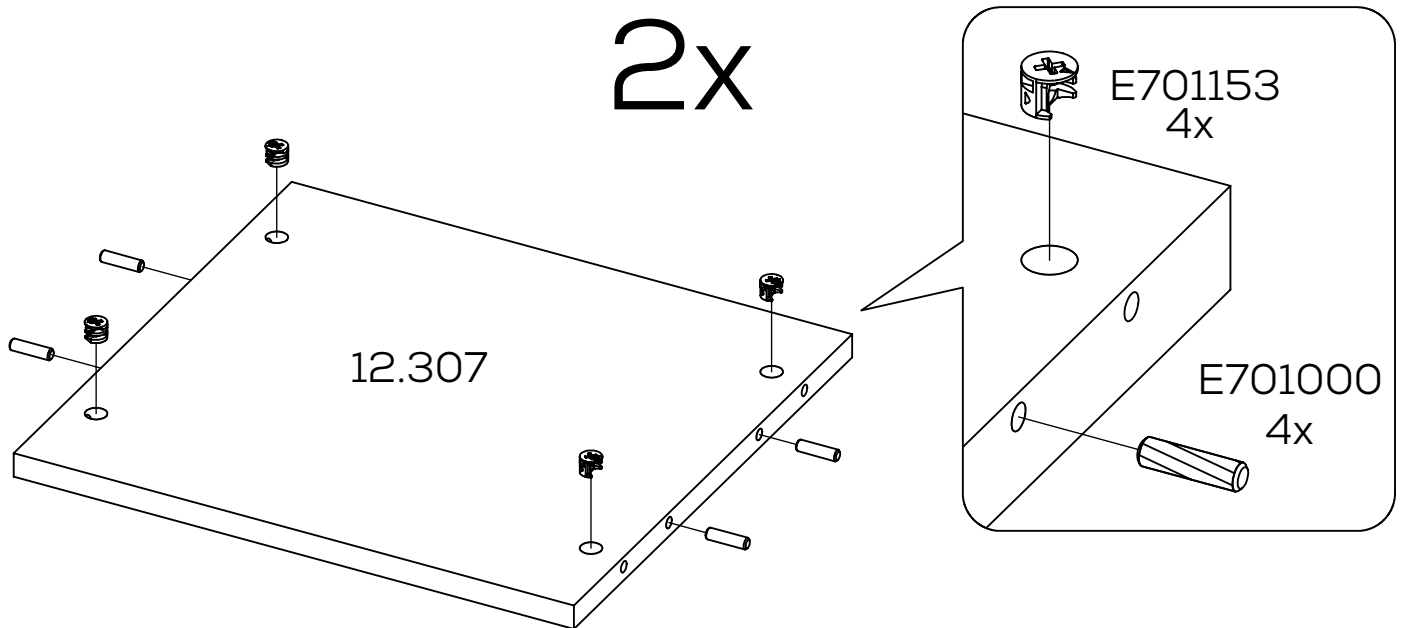




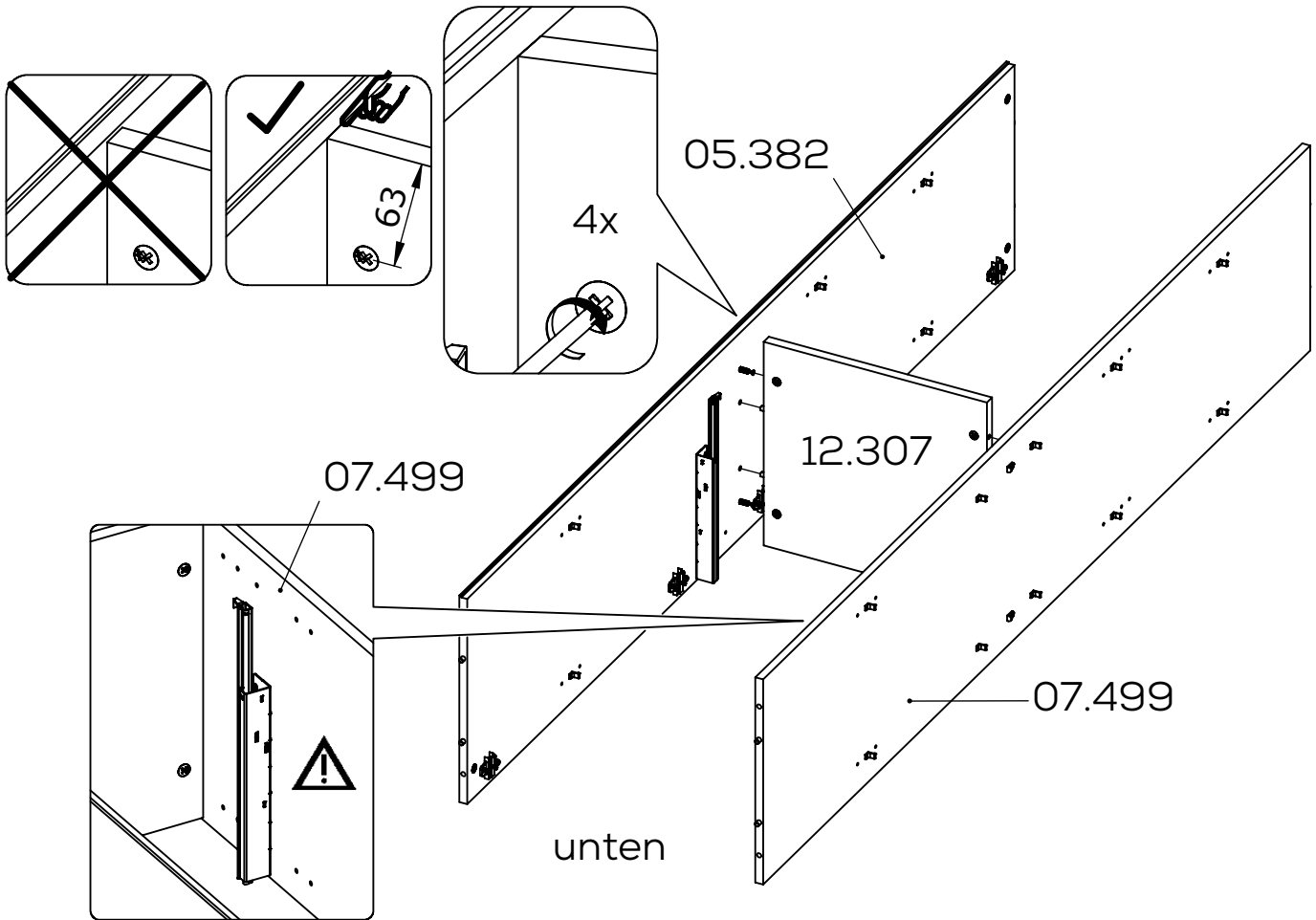
9



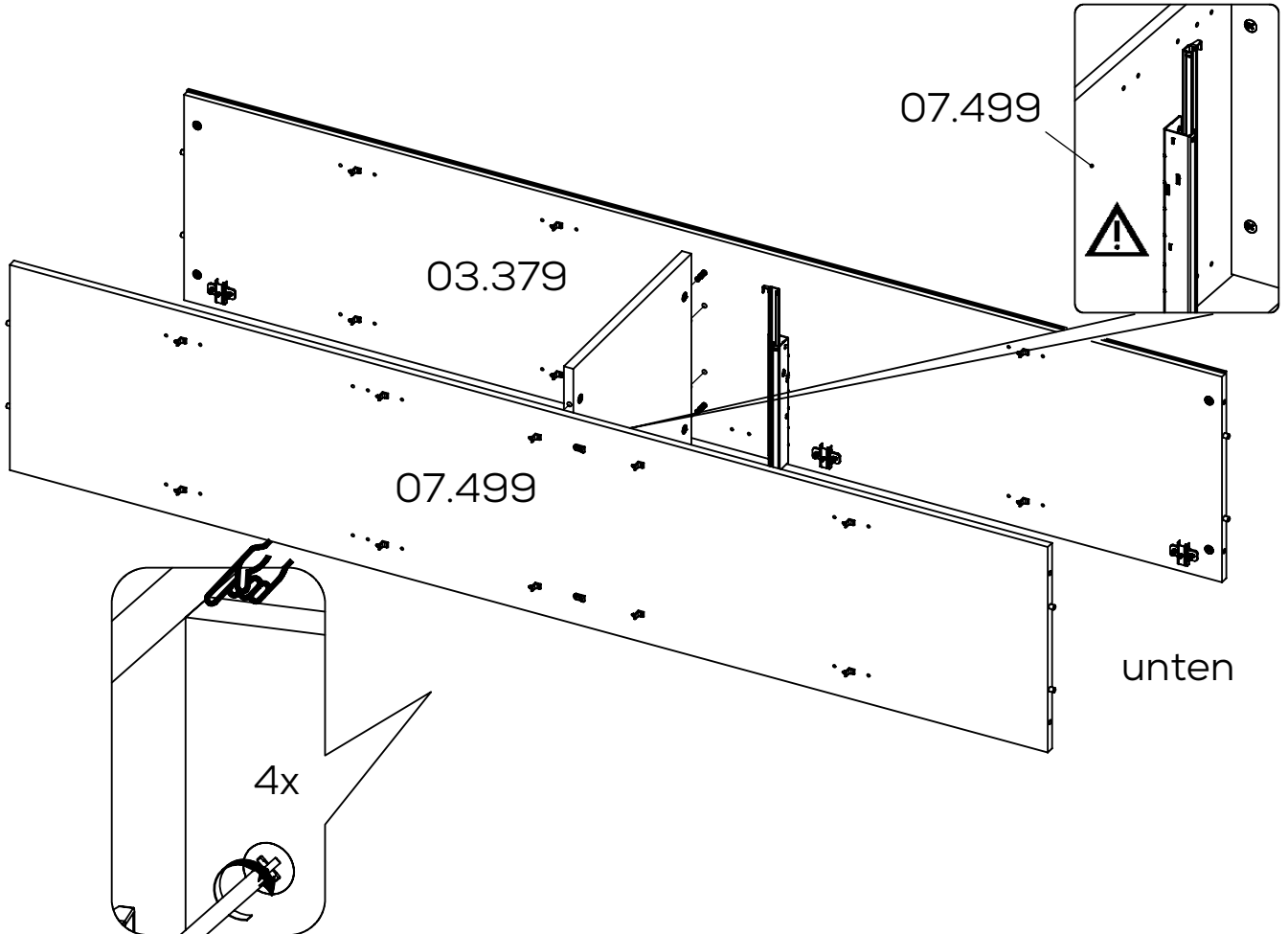
10



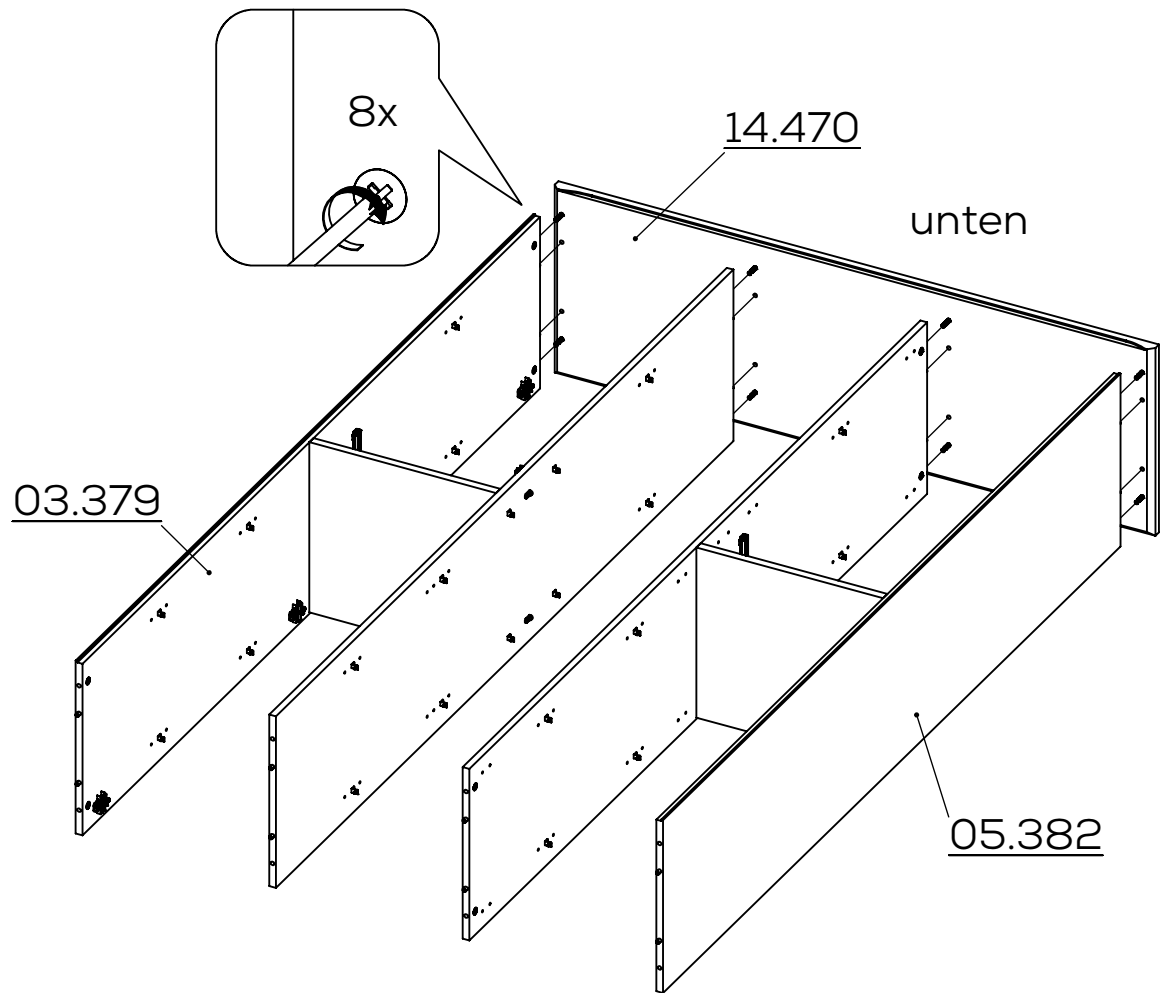
11



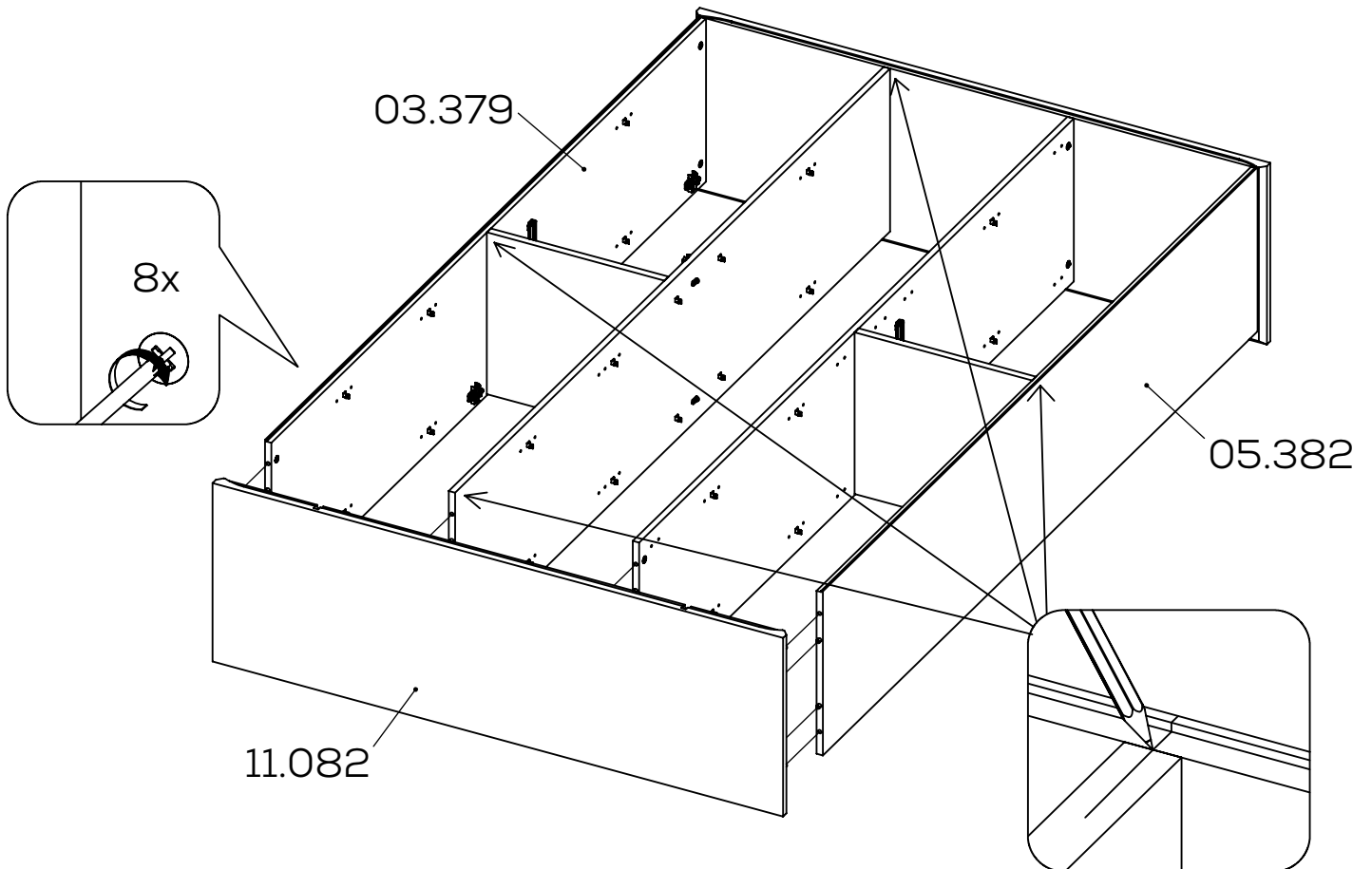
12

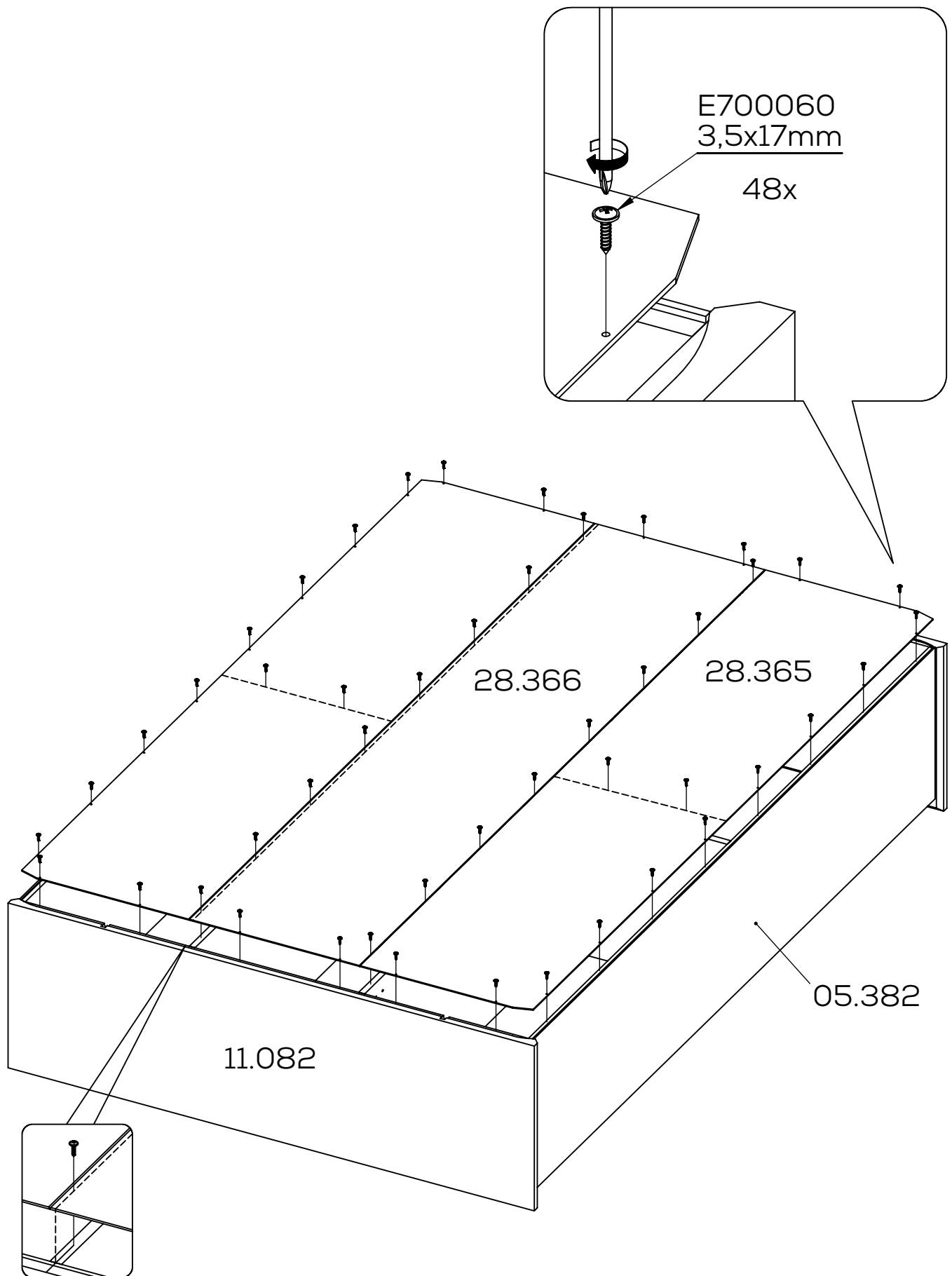


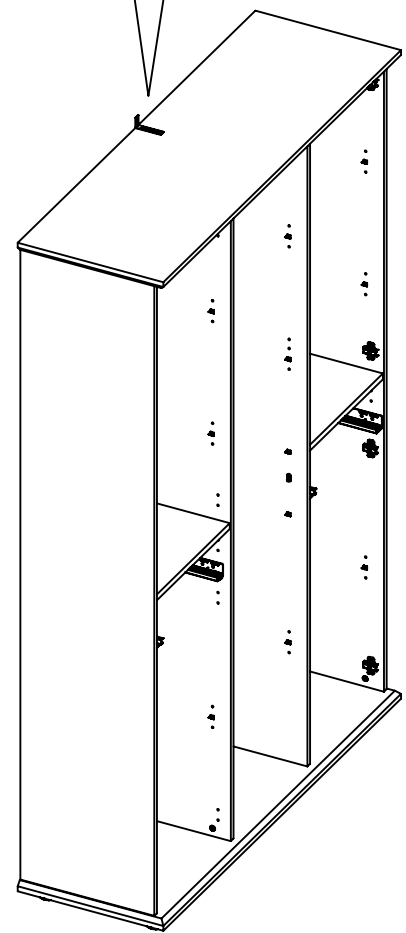
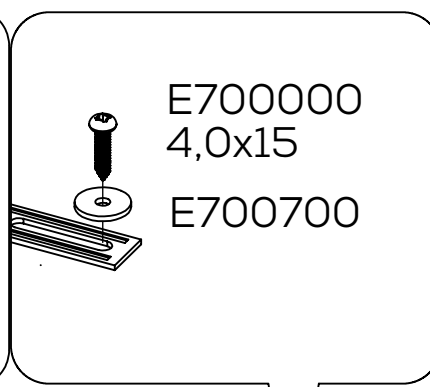
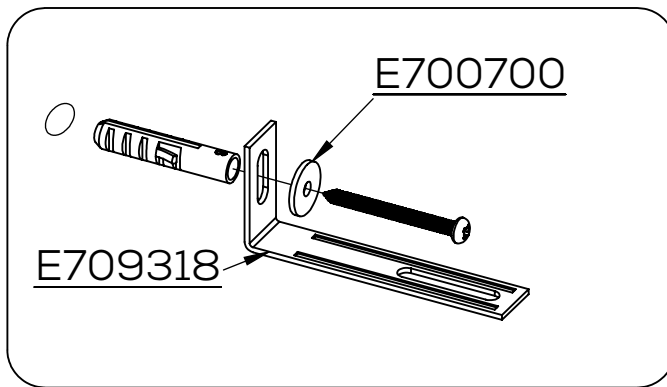
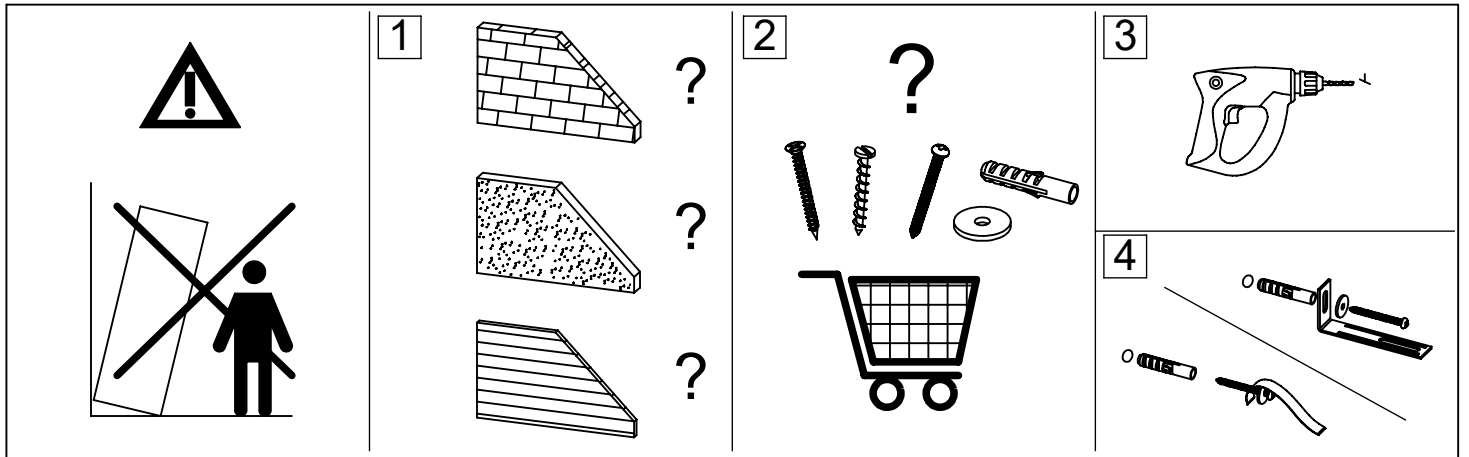
13



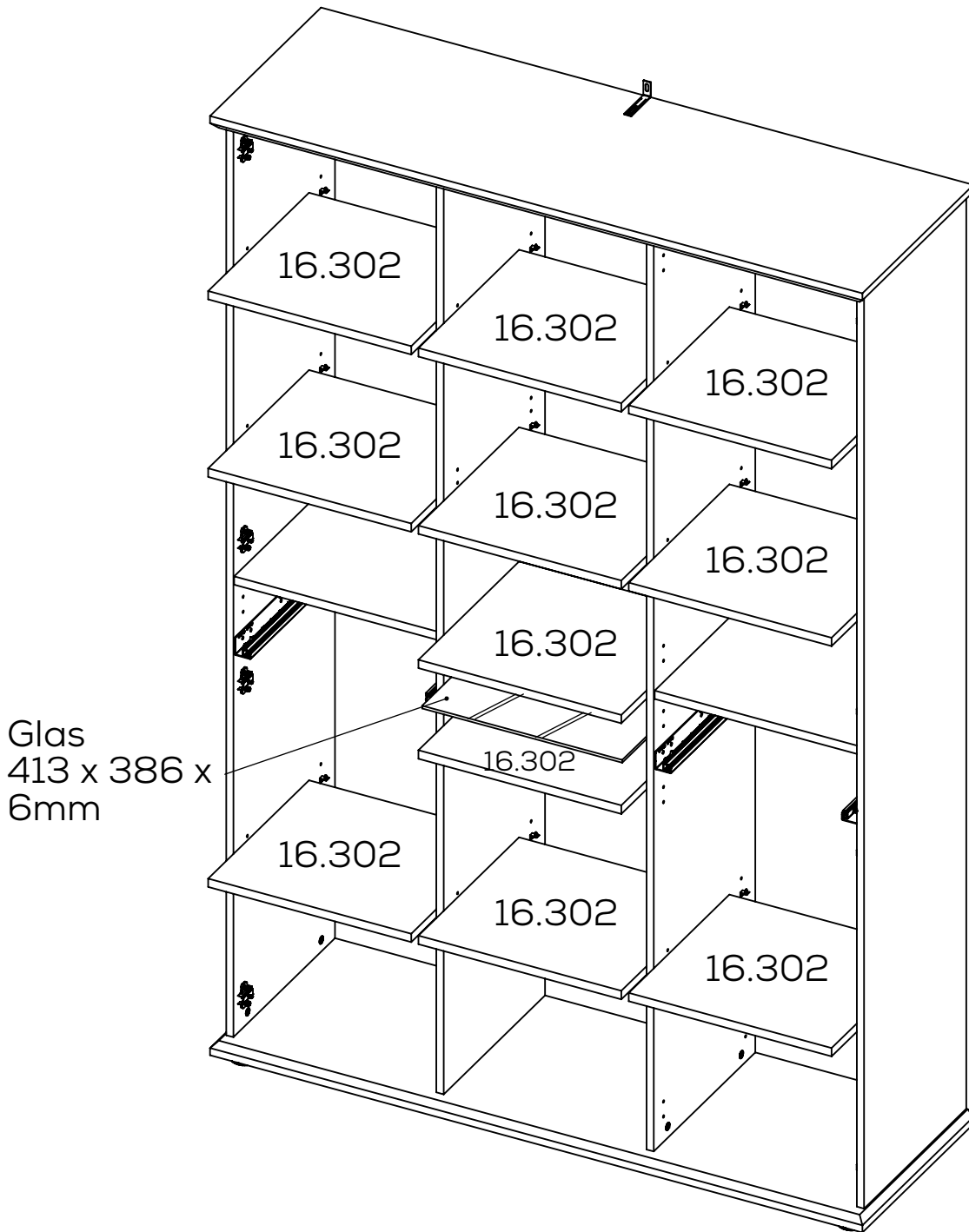
14



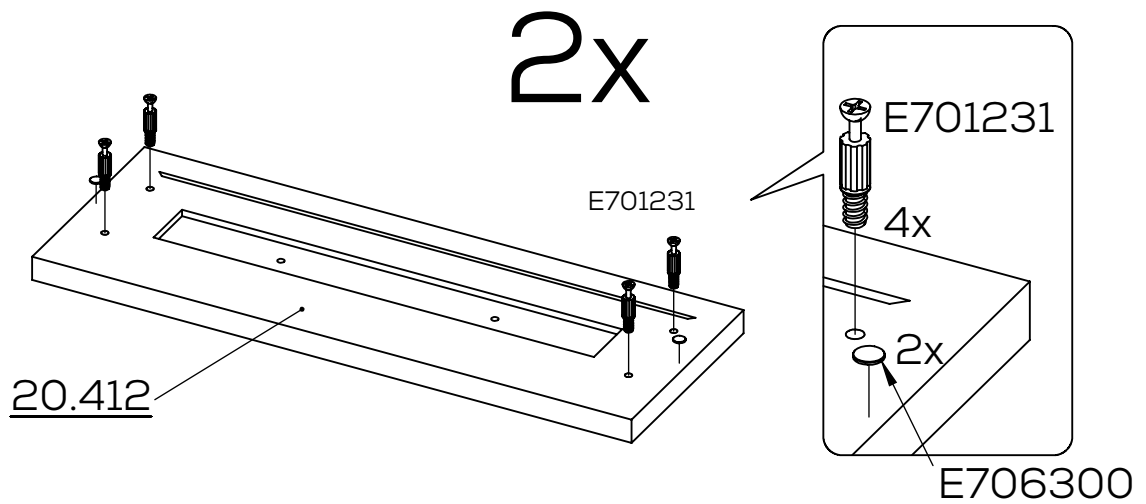




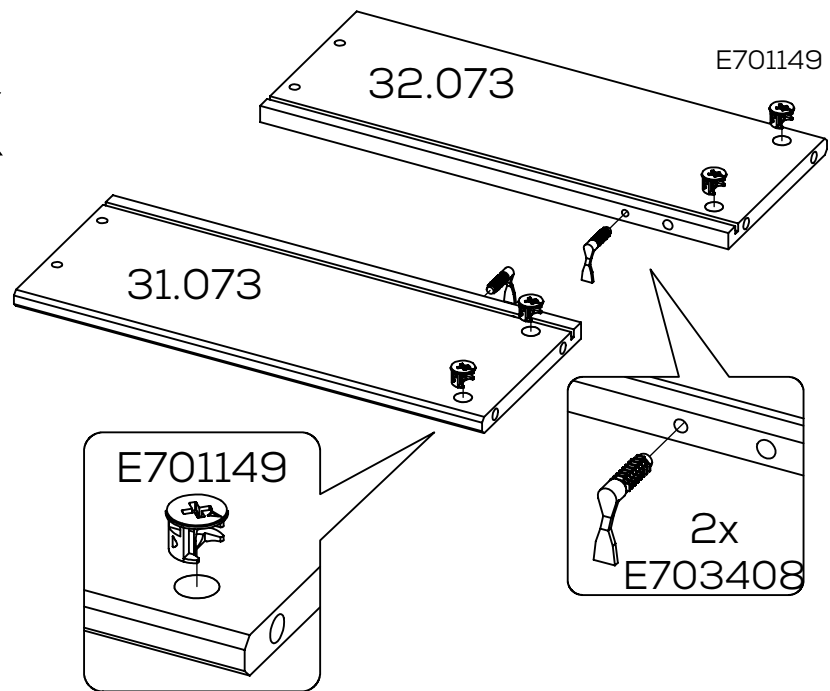
17



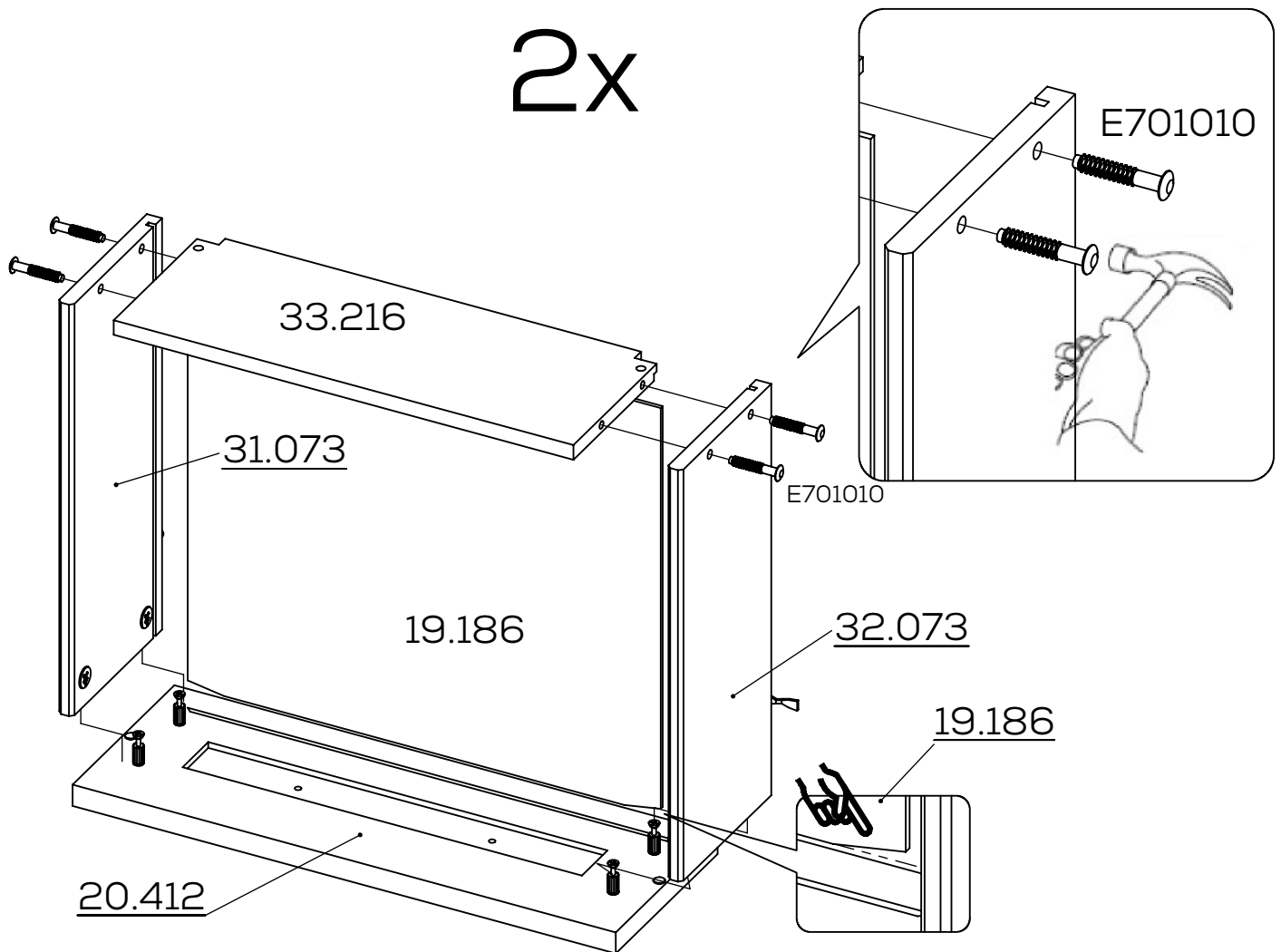
18

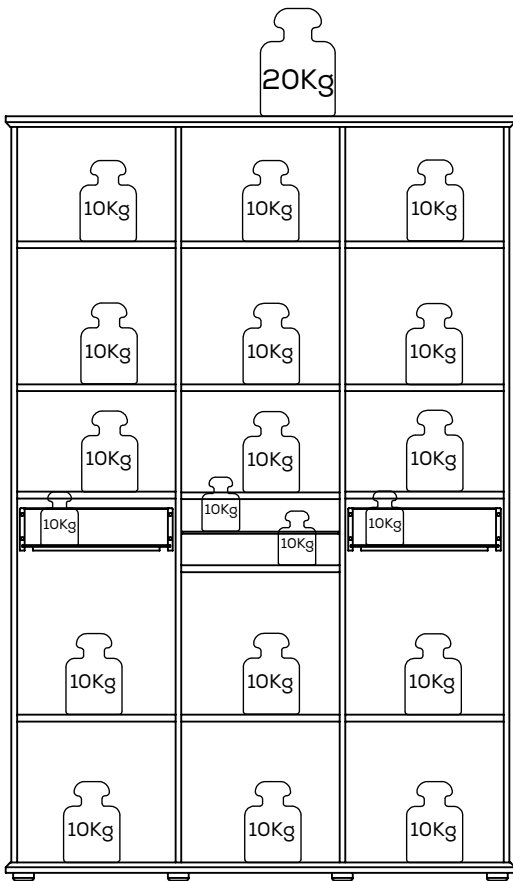
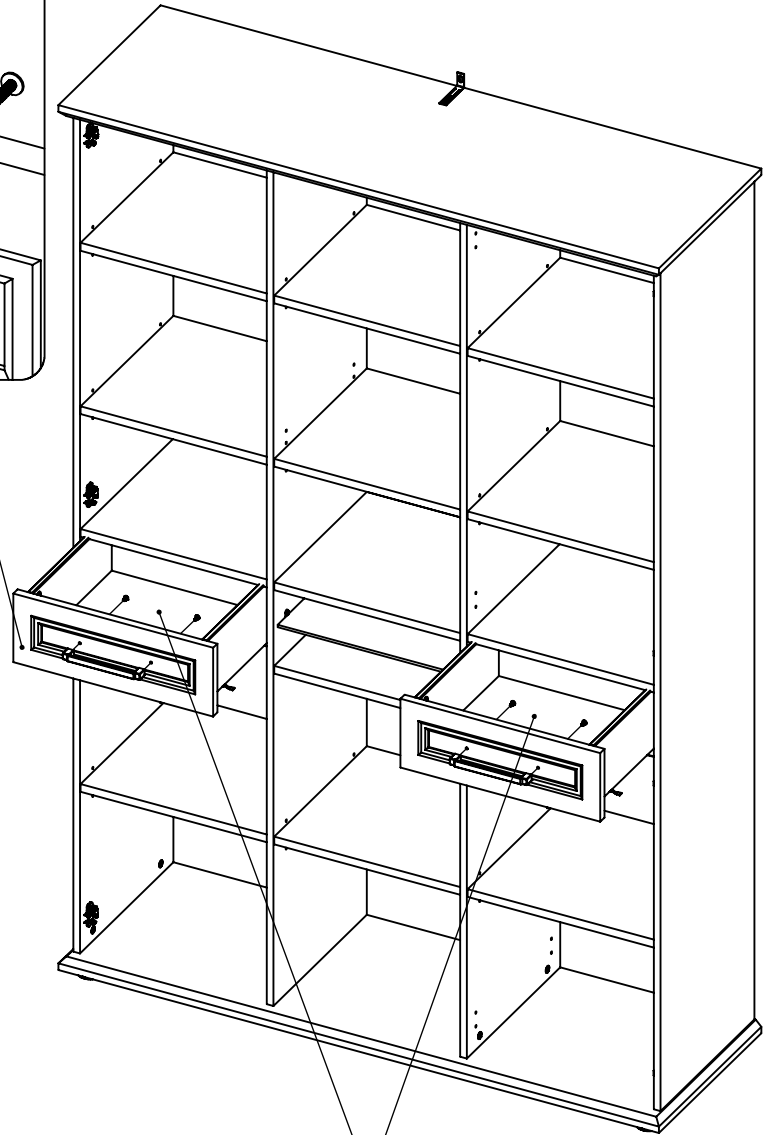
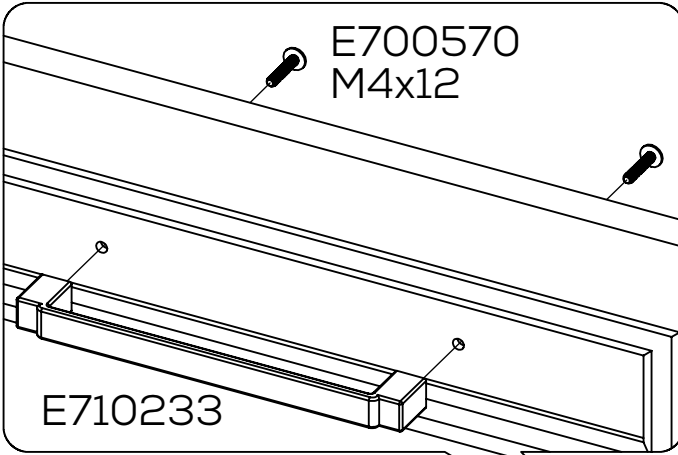
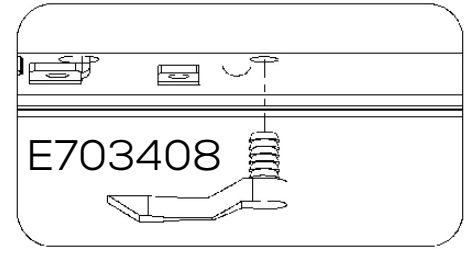
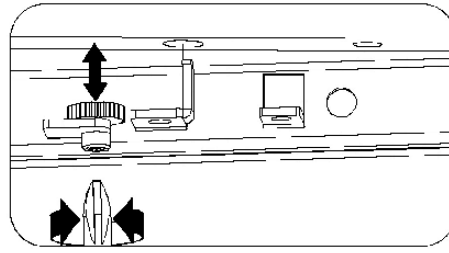
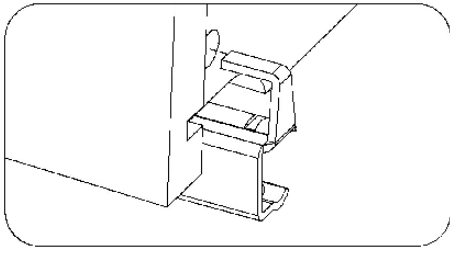


2x

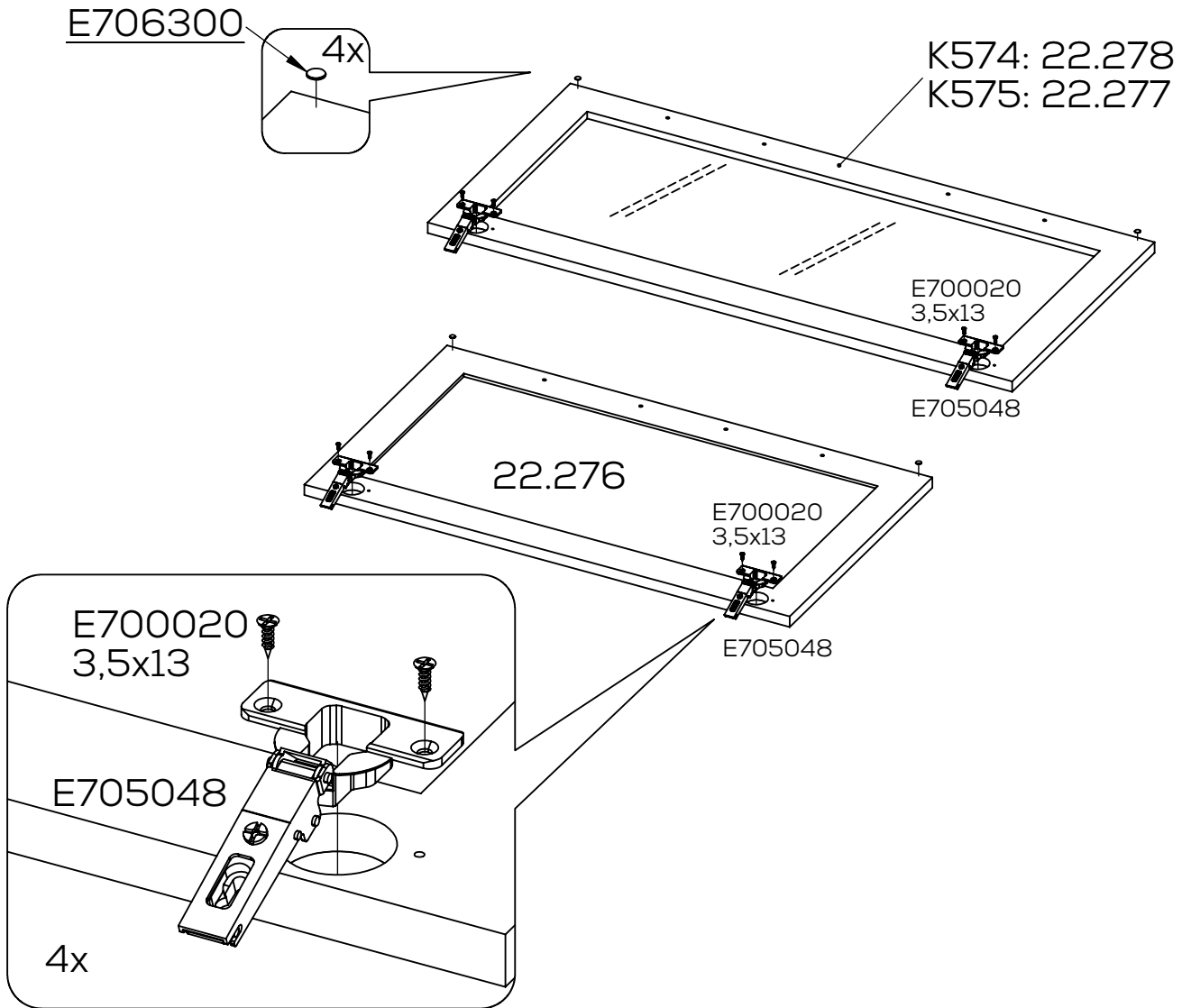


2x

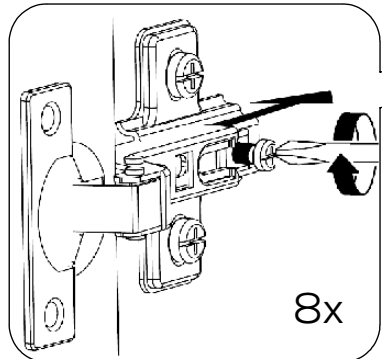
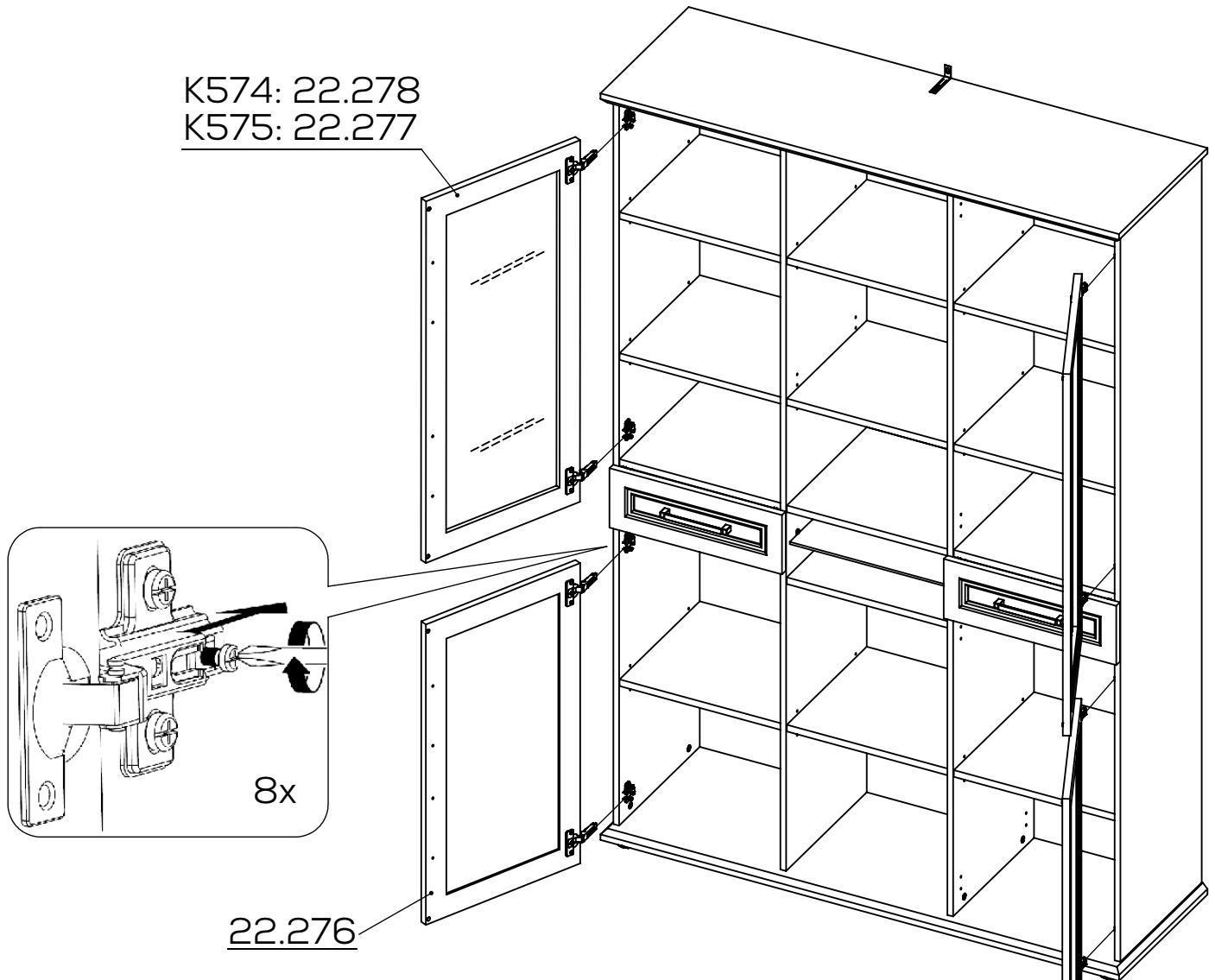




2x



K574: 22.278
K575: 22.277



8x

22.276

22.276

