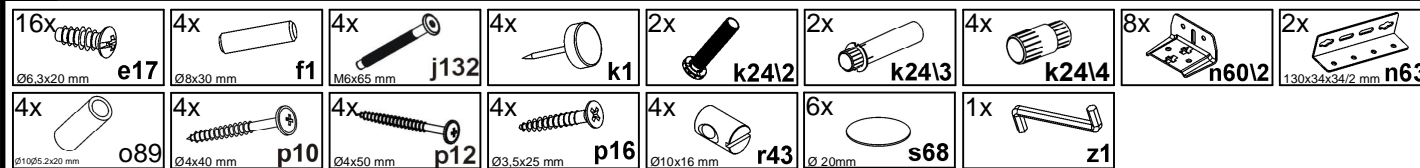
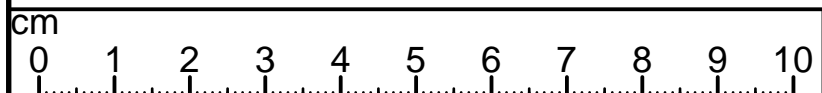
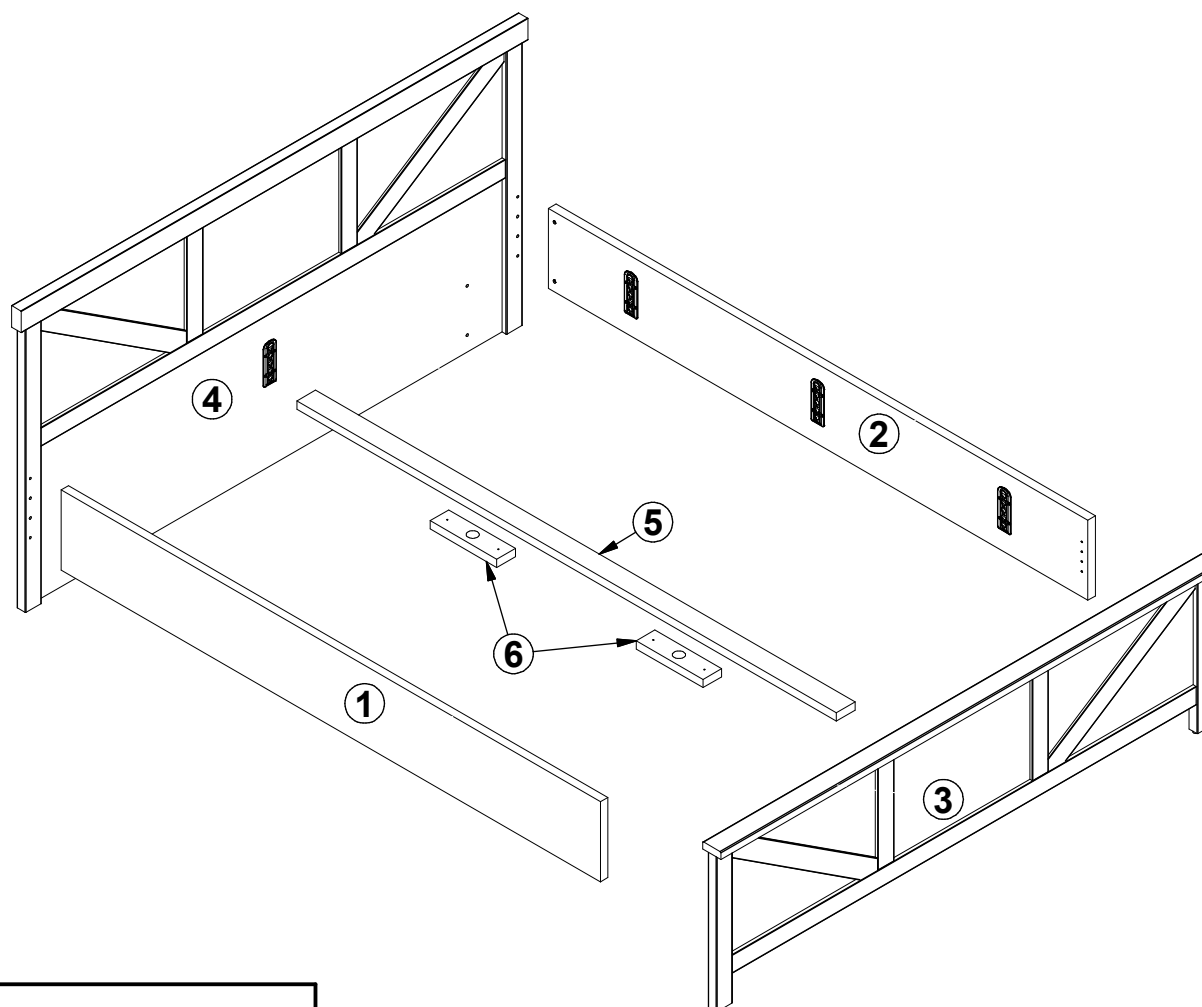


A**L116-LOZ/180****22-709**

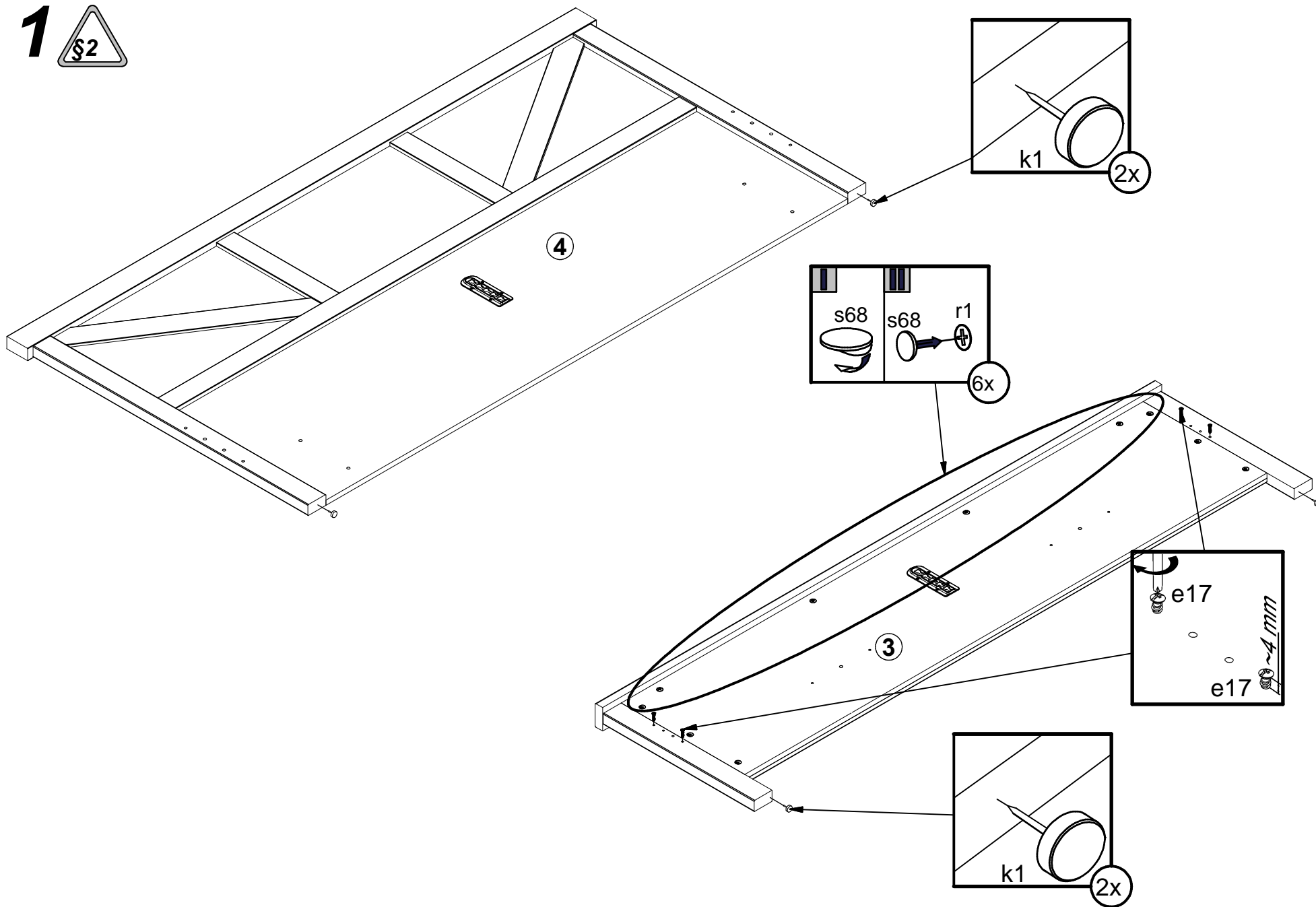
2 / 7

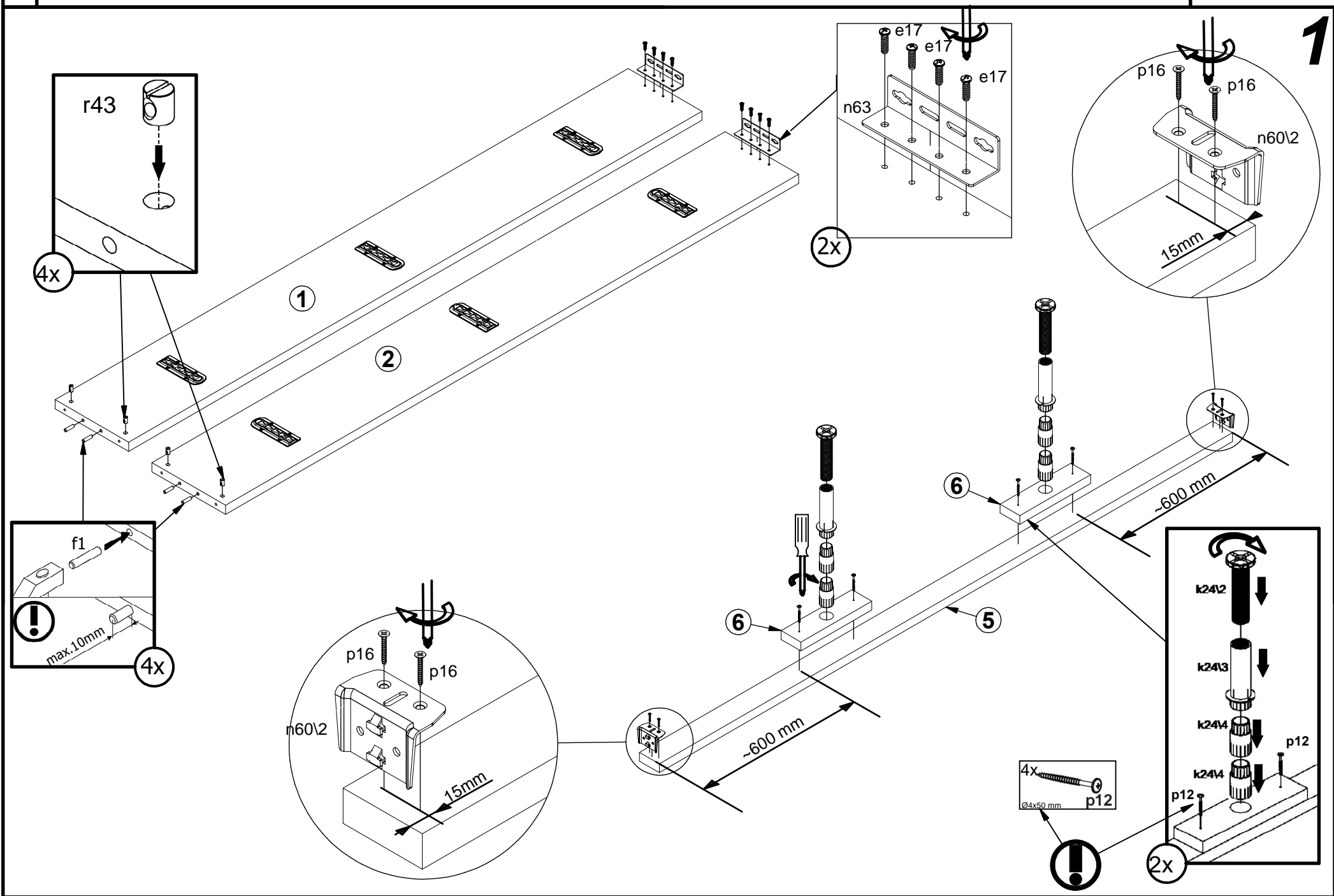


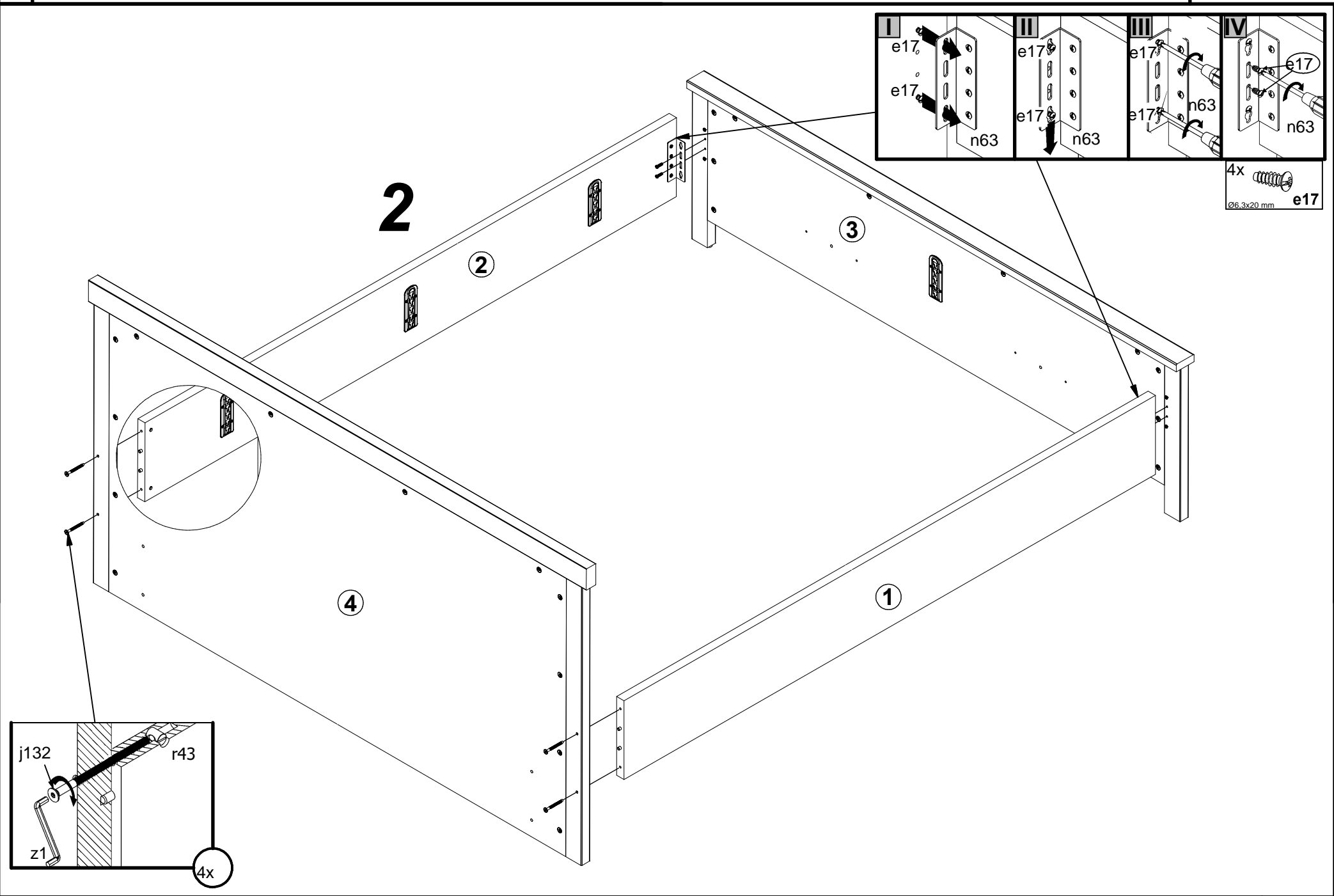
A	B	C1	C2	C3	D
1	L116-Z006_1010	2023	260	30	1/3
2	L116-Z007_1011	2023	260	30	1/3
3	L116-Z008	529	1868	68	3/3
4	L116-Z009	988	1900	36	2/3
5	ZZ1-787	2023	70	27	1/3
6	ZZ1-759-01	250	70	27	1/3

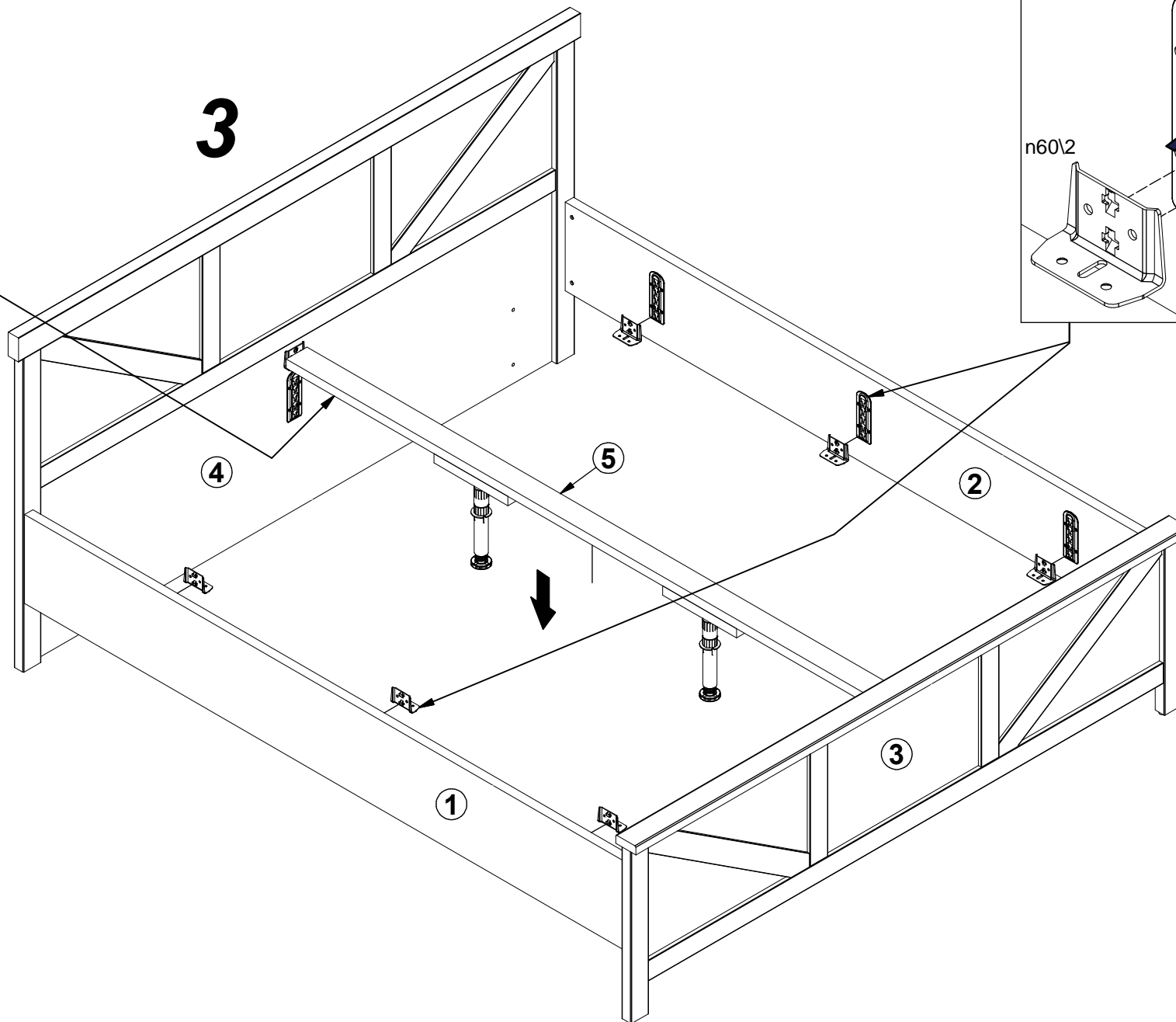
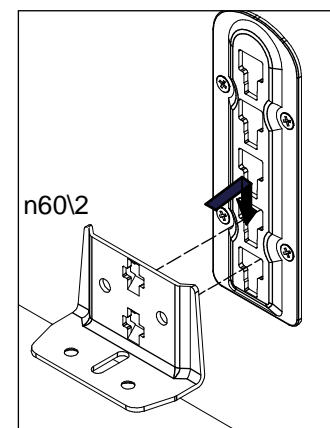
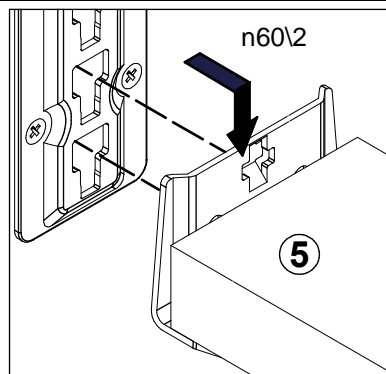


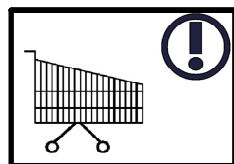
1 











4

