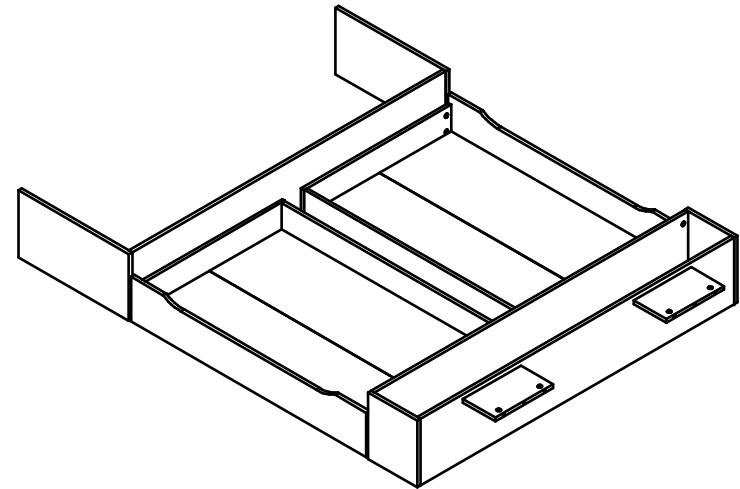
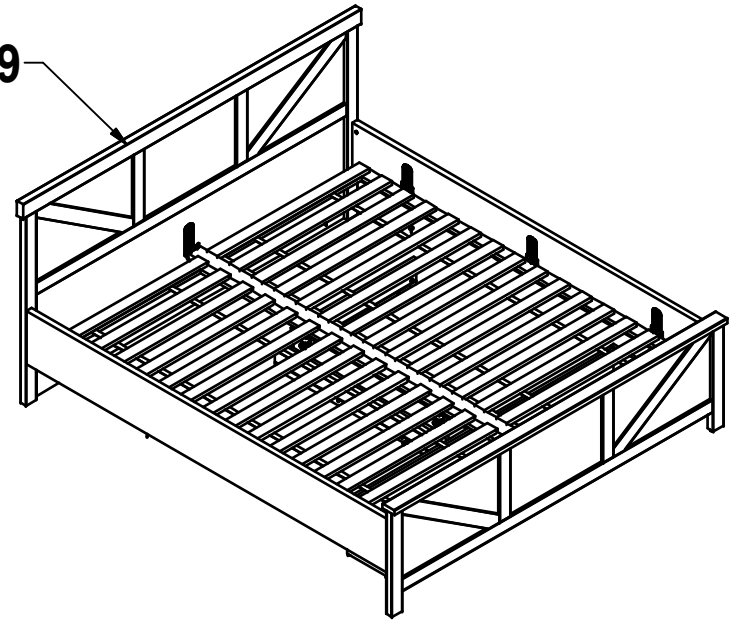
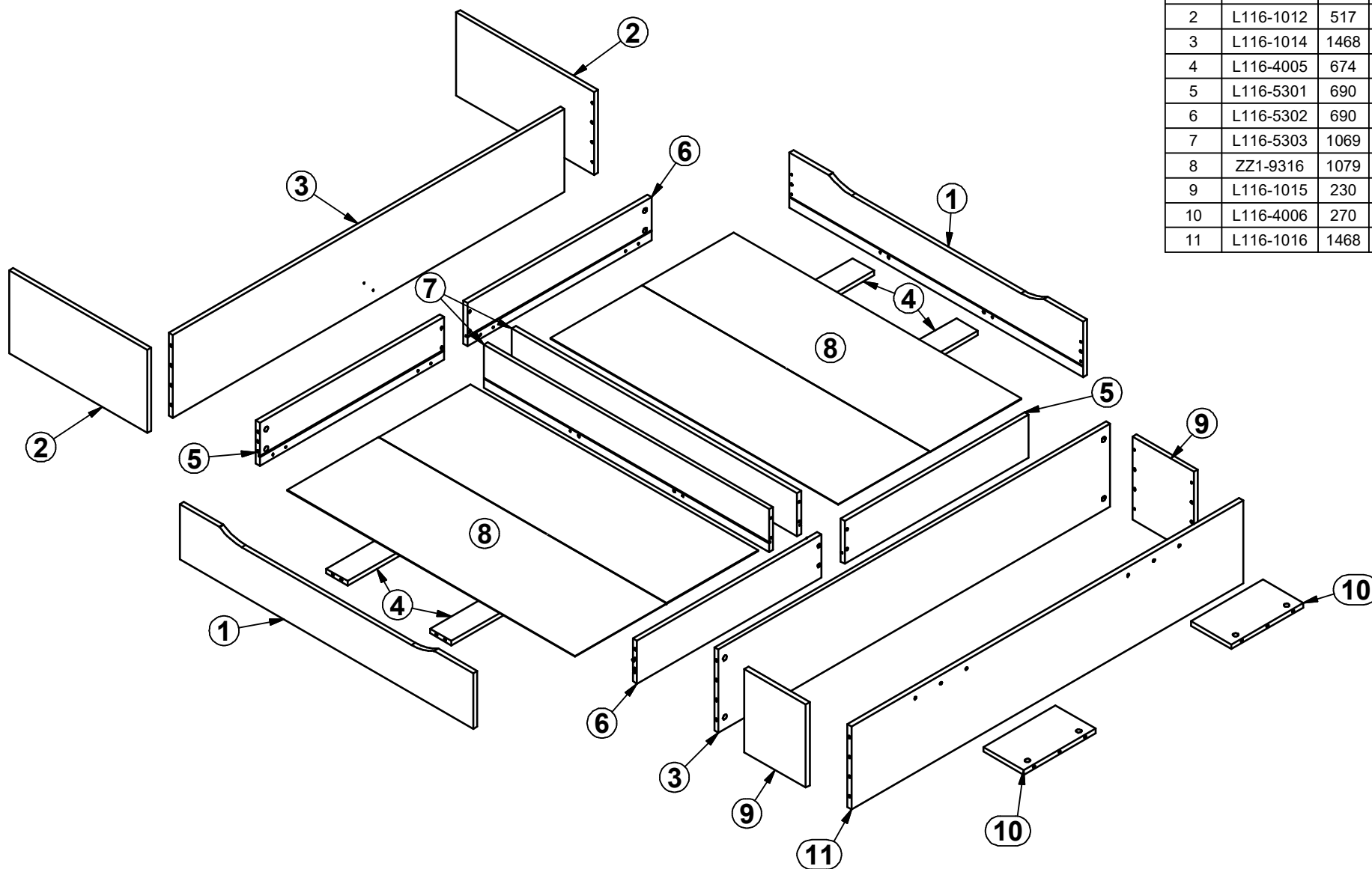


22-709

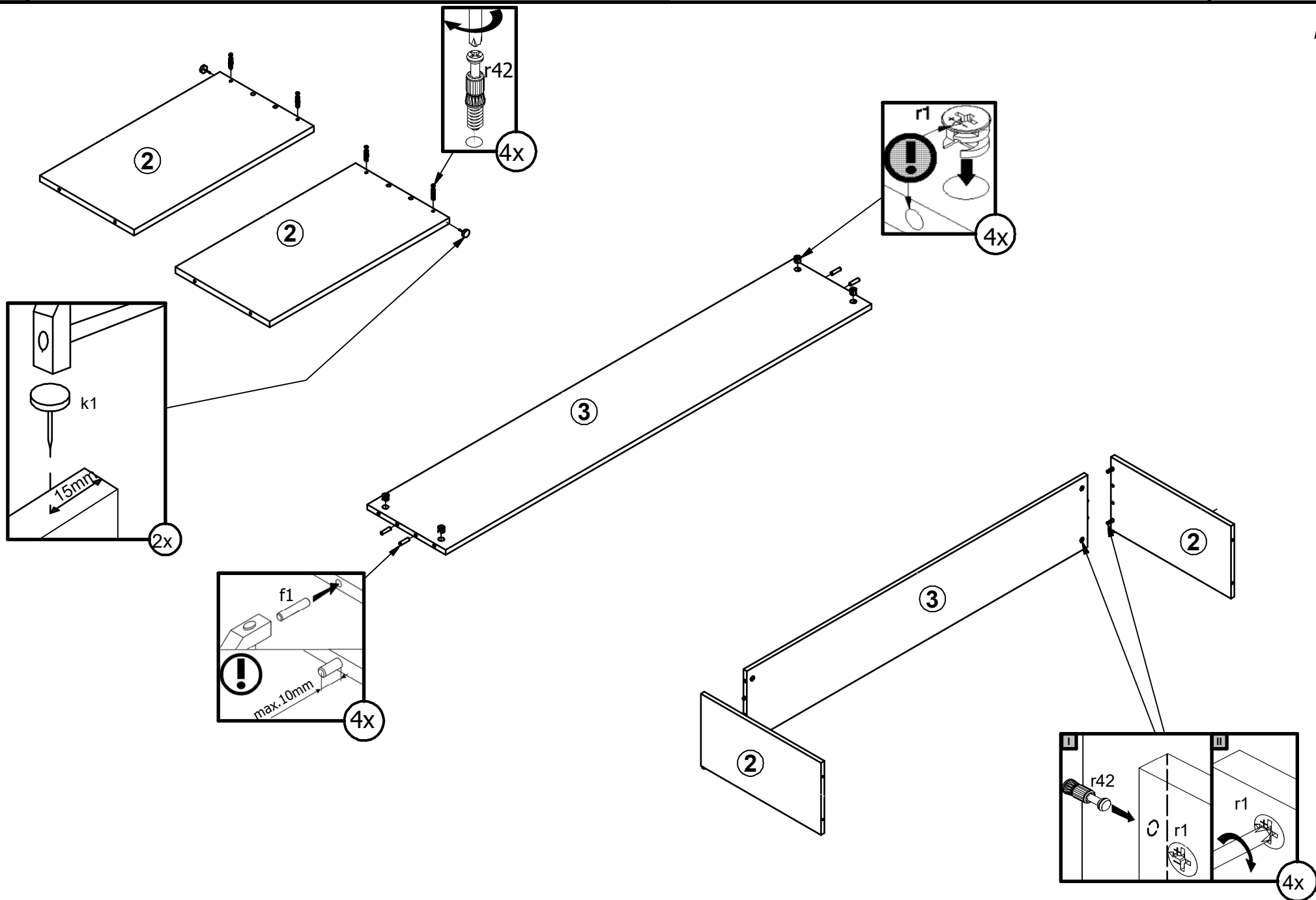


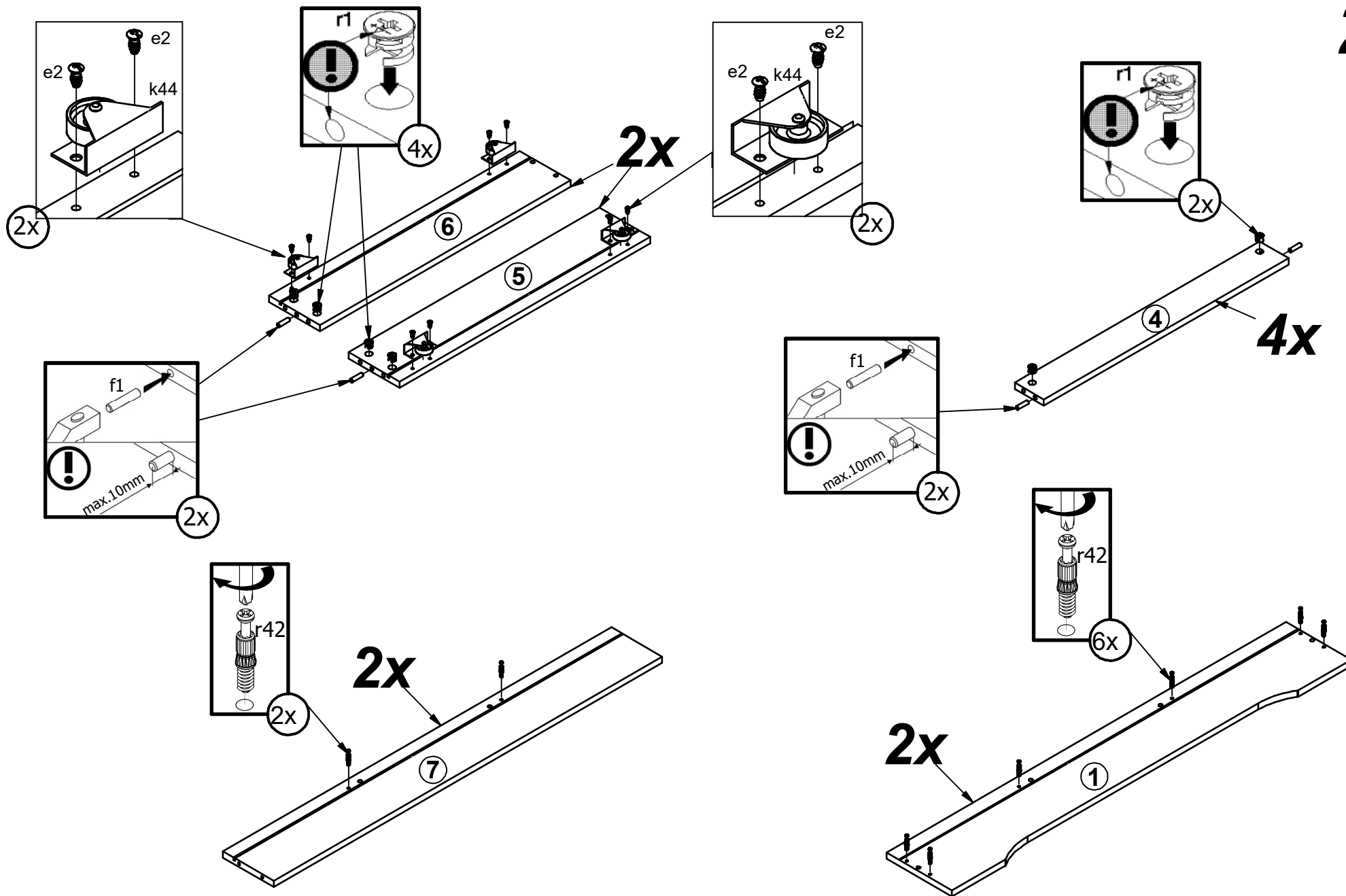


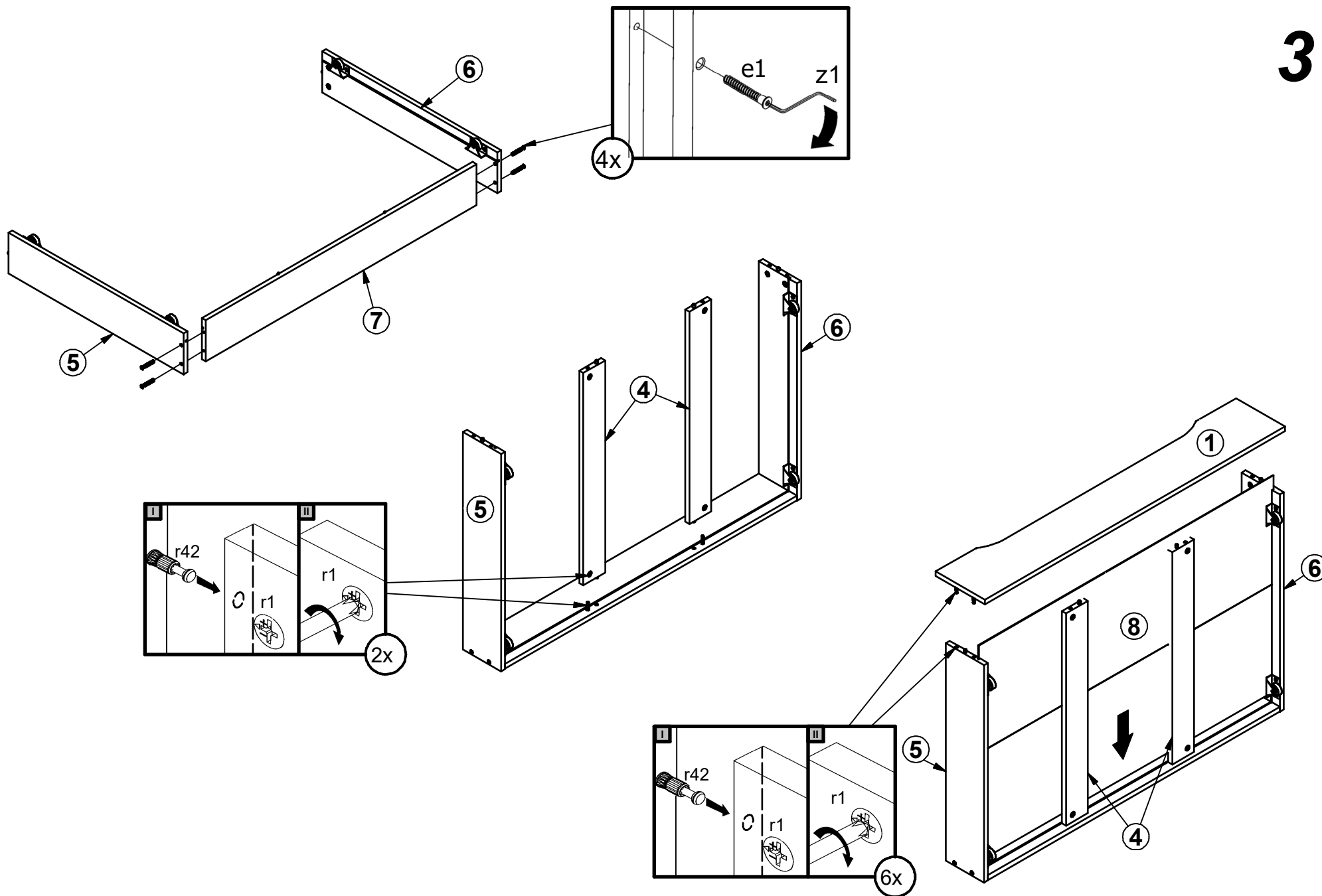
| A | B | C1 | C2 | C3 | D |
|----|-----------|------|-----|-----|-----|
| 1 | L116-0009 | 1100 | 180 | 15 | 1/2 |
| 2 | L116-1012 | 517 | 270 | 15 | 2/2 |
| 3 | L116-1014 | 1468 | 270 | 15 | 2/2 |
| 4 | L116-4005 | 674 | 80 | 15 | 1/2 |
| 5 | L116-5301 | 690 | 140 | 15 | 1/2 |
| 6 | L116-5302 | 690 | 140 | 15 | 1/2 |
| 7 | L116-5303 | 1069 | 140 | 15 | 1/2 |
| 8 | ZZ1-9316 | 1079 | 687 | 2,5 | 1/2 |
| 9 | L116-1015 | 230 | 270 | 15 | 1/2 |
| 10 | L116-4006 | 270 | 151 | 15 | 2/2 |
| 11 | L116-1016 | 1468 | 270 | 15 | 2/2 |

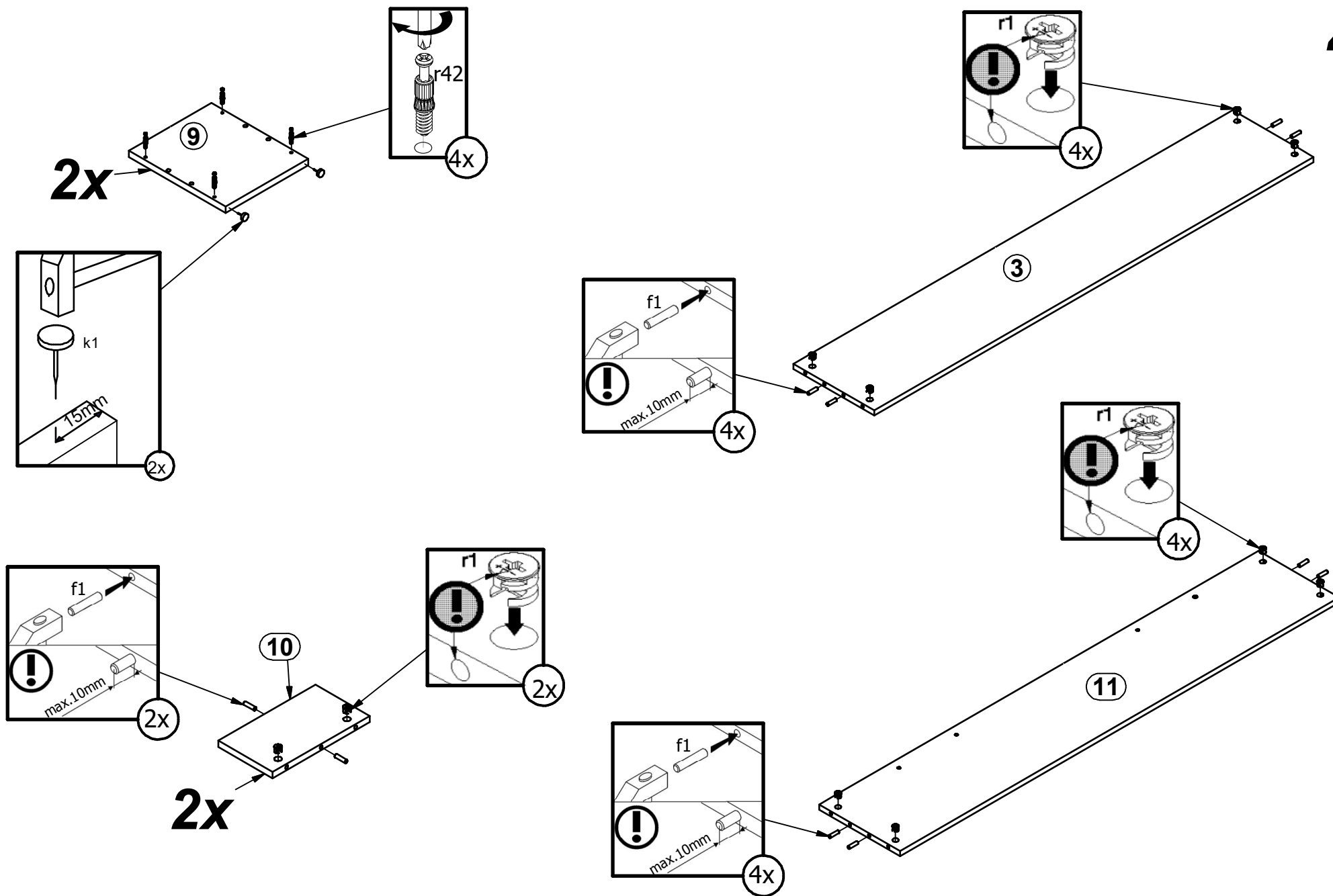
- 16x e1
Ø7x50 mm
- 16x e2
Ø6.3x13 mm
- 28x f1
Ø8x30 mm
- 8x k44
- 6x k1
- 4x k53
- 4x p36
Ø4x25 mm
- 32x r1
Ø15x12 mm #16
- 32x r42
20/11
- 1x z1

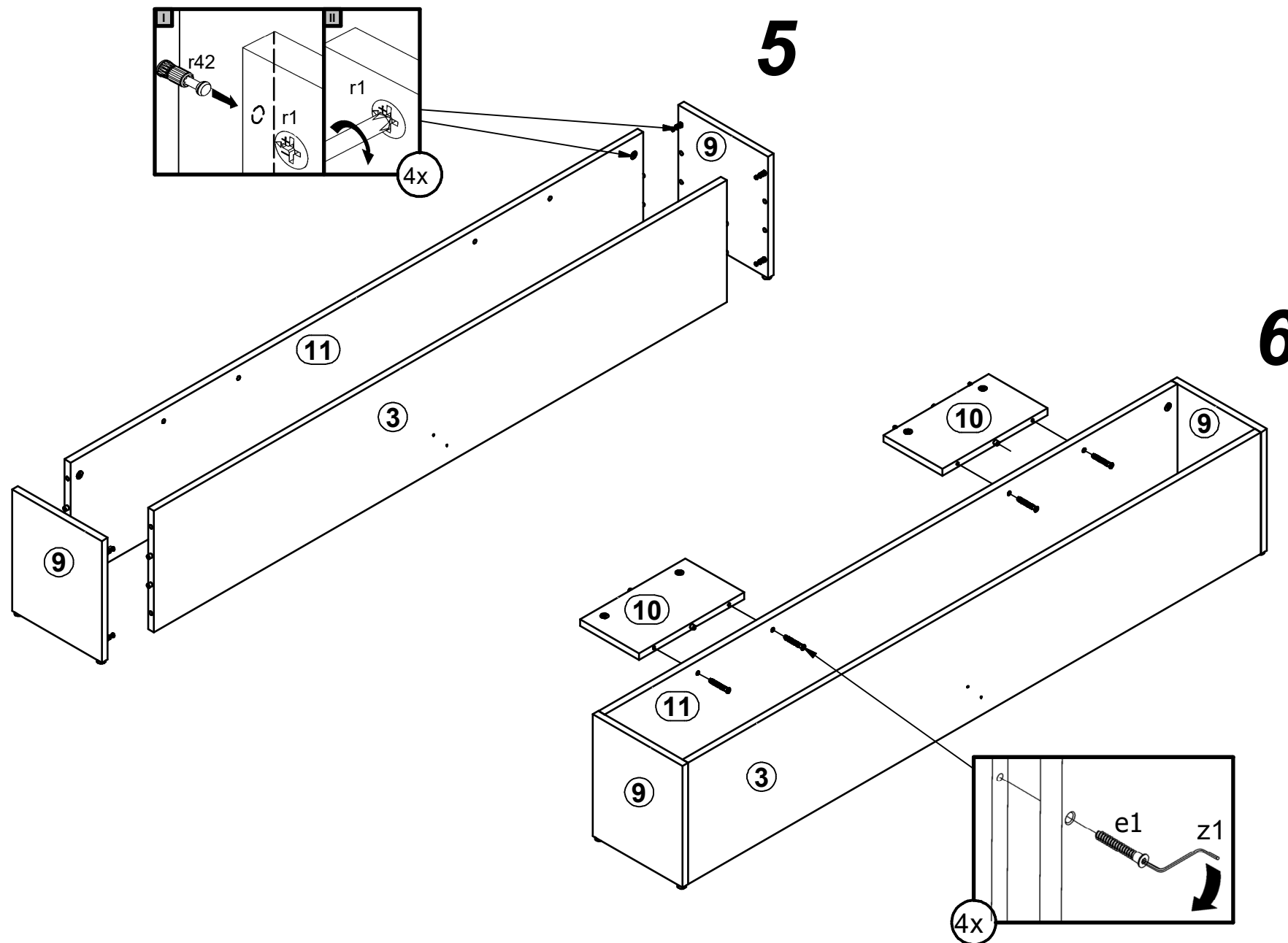






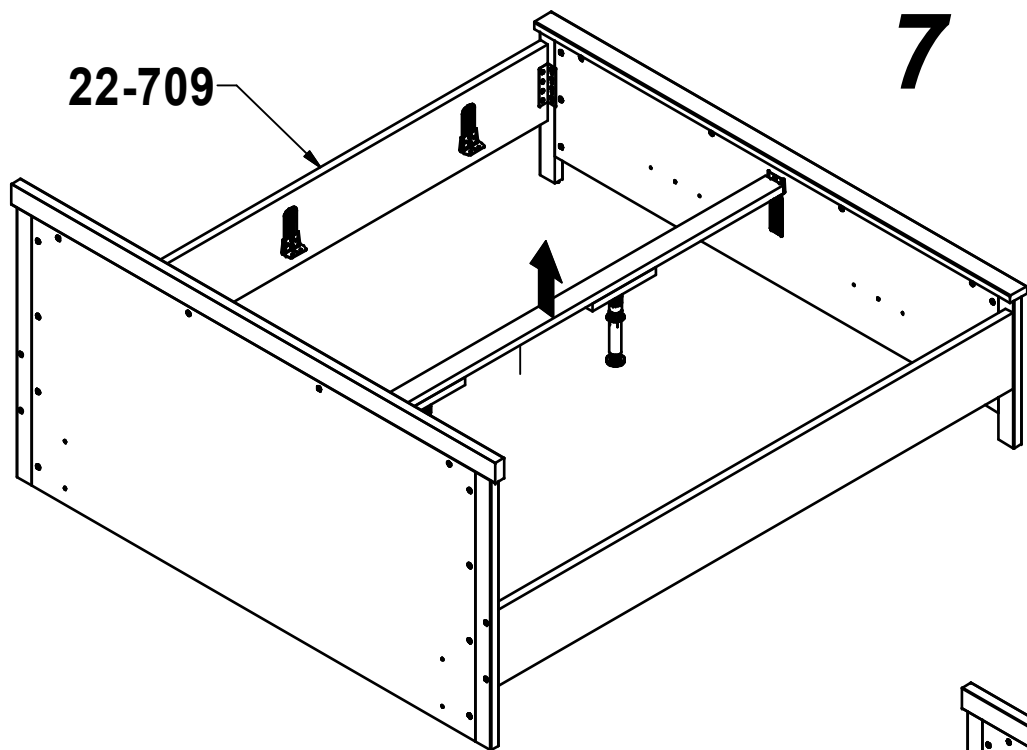




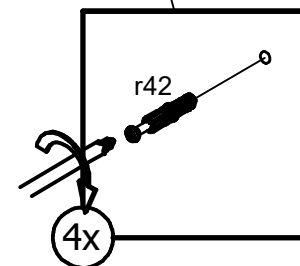
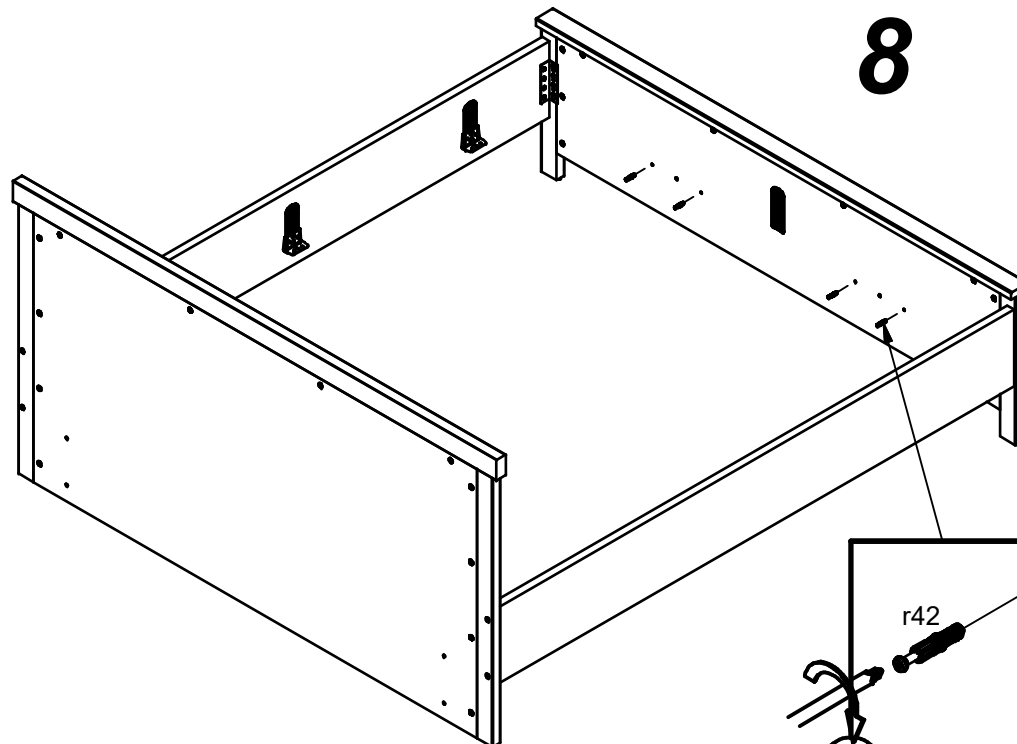


7

22-709



8



11

