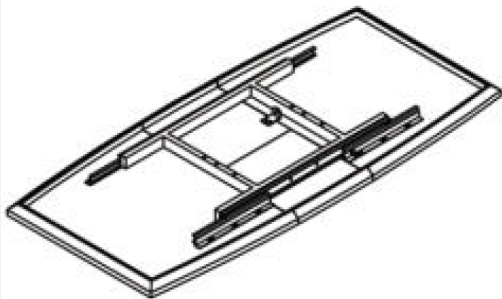
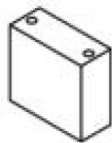


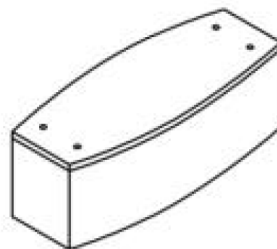
v.1



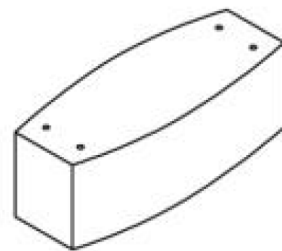
A x1



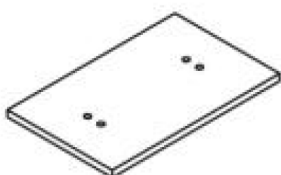
B x2



C x3



D x1



E x1

F (M8x690mm) x4



G x2



H (M6x16mm) x2



(M4) x1



I (φ22x1.5mm) x4



J (M8) x4



(M8) x1



K (M8) x4



L (φ18x1.5mm) x2



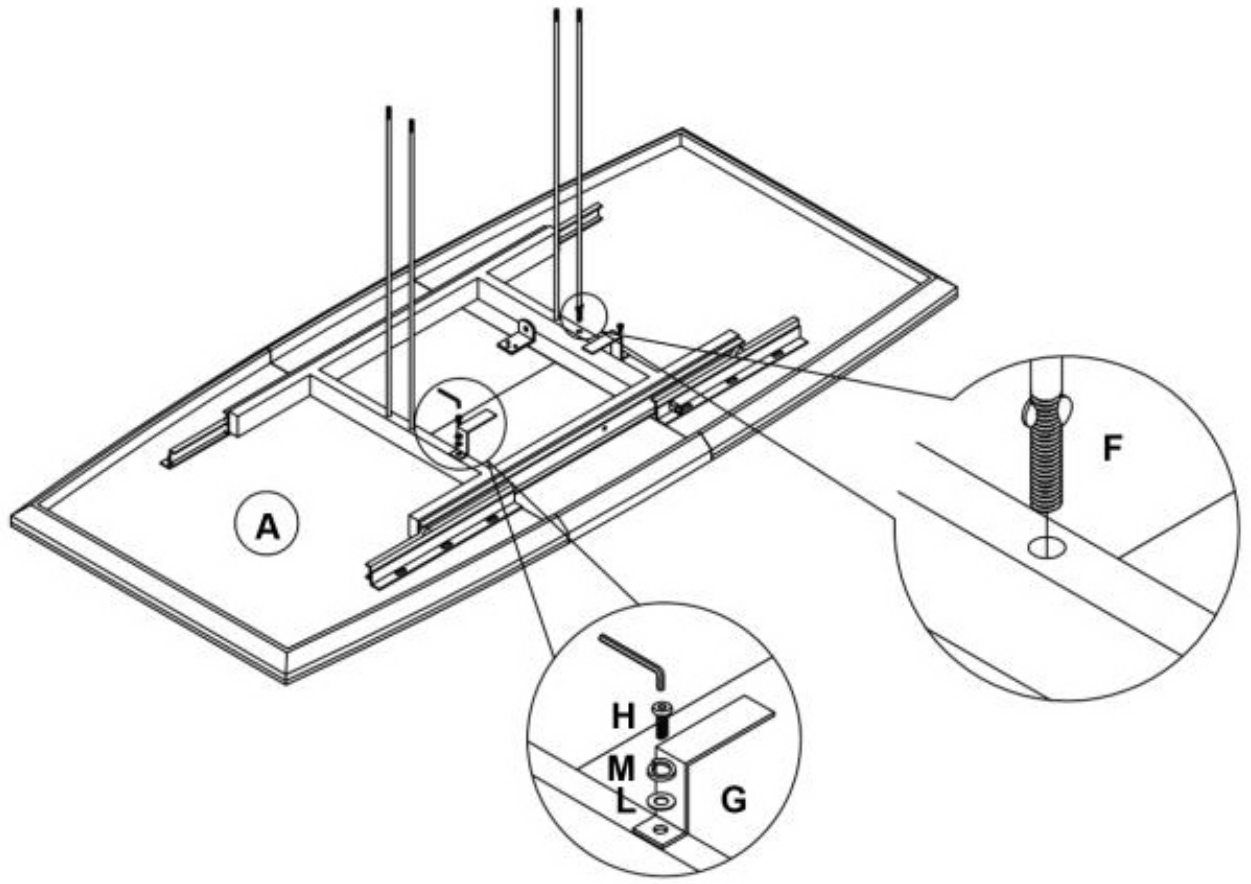
M (M6) x2



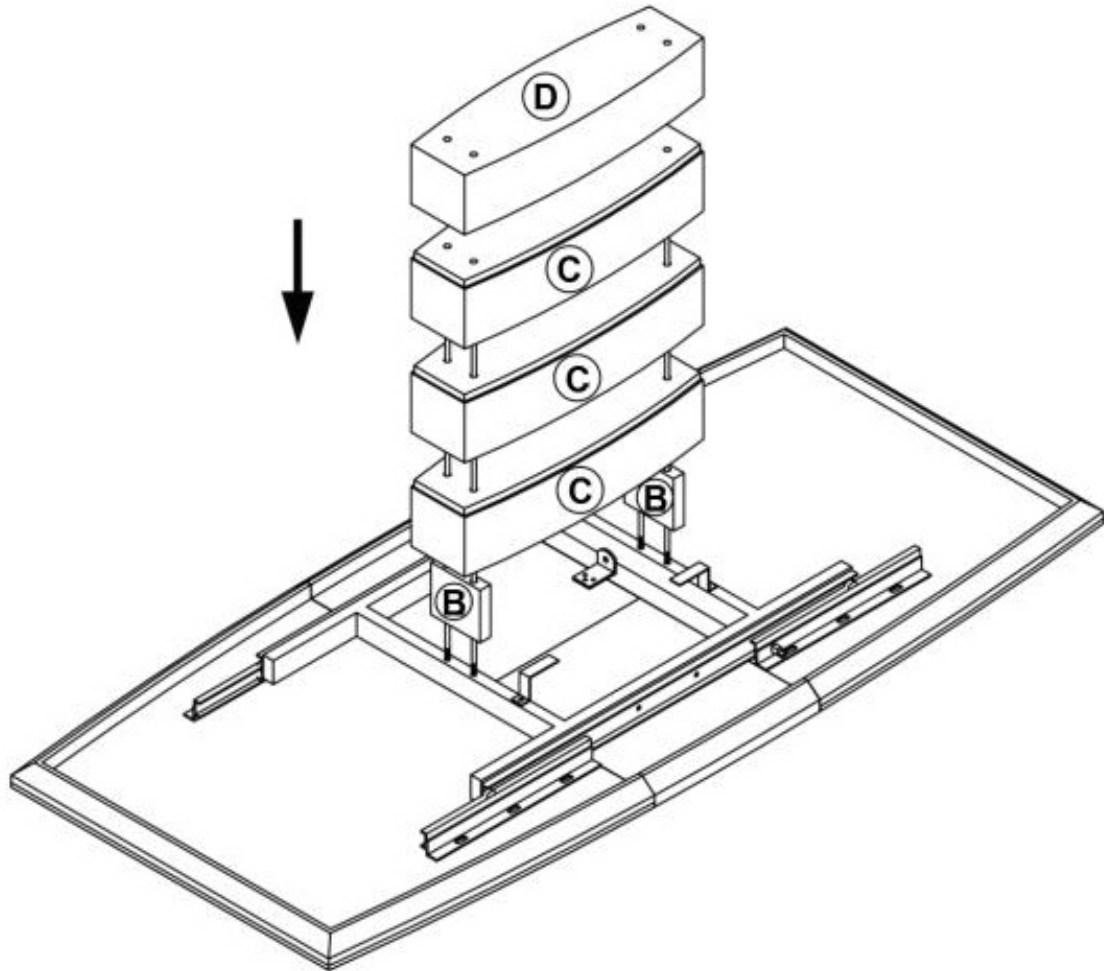
N (M6x15mm) x6



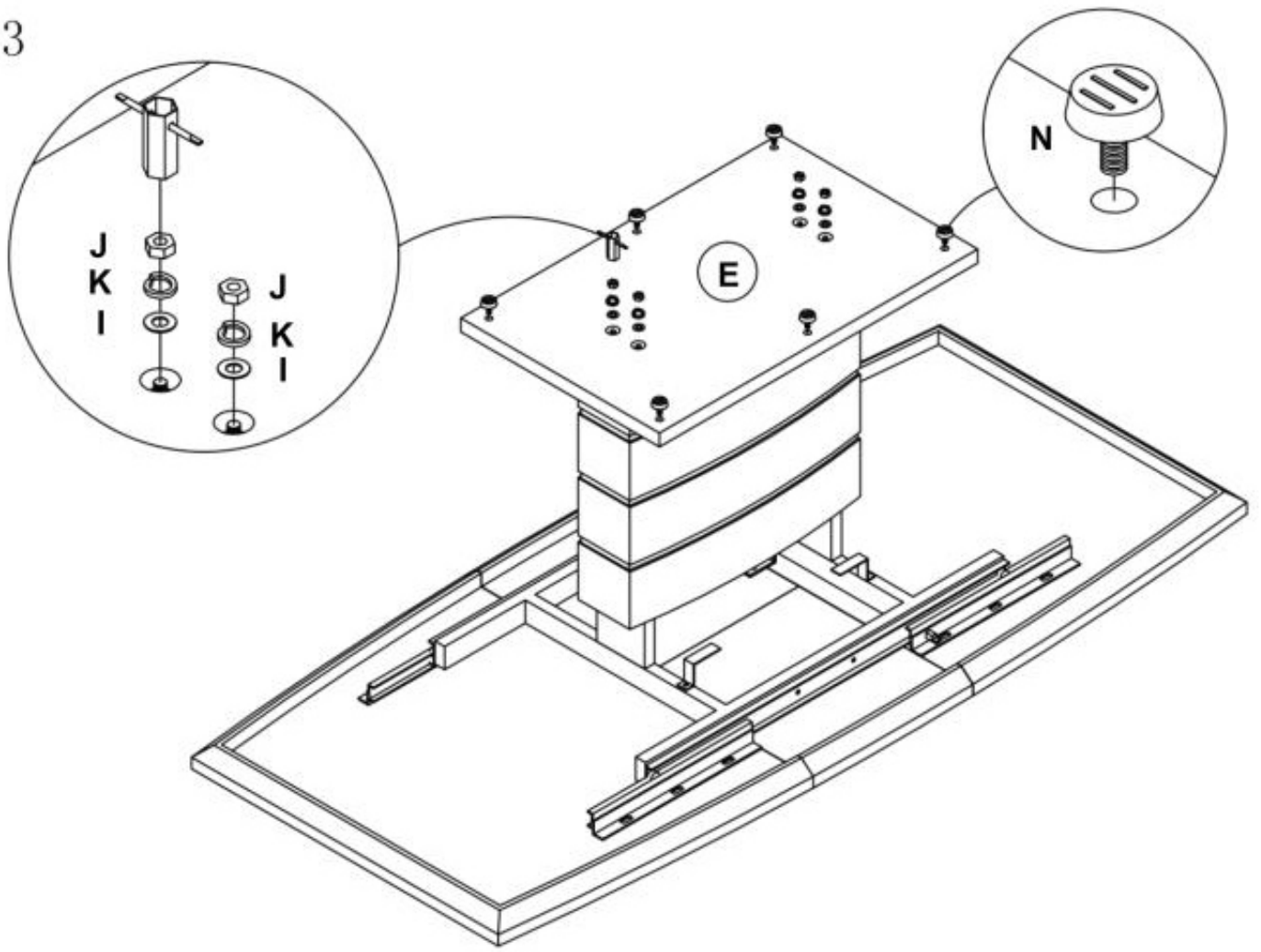
1



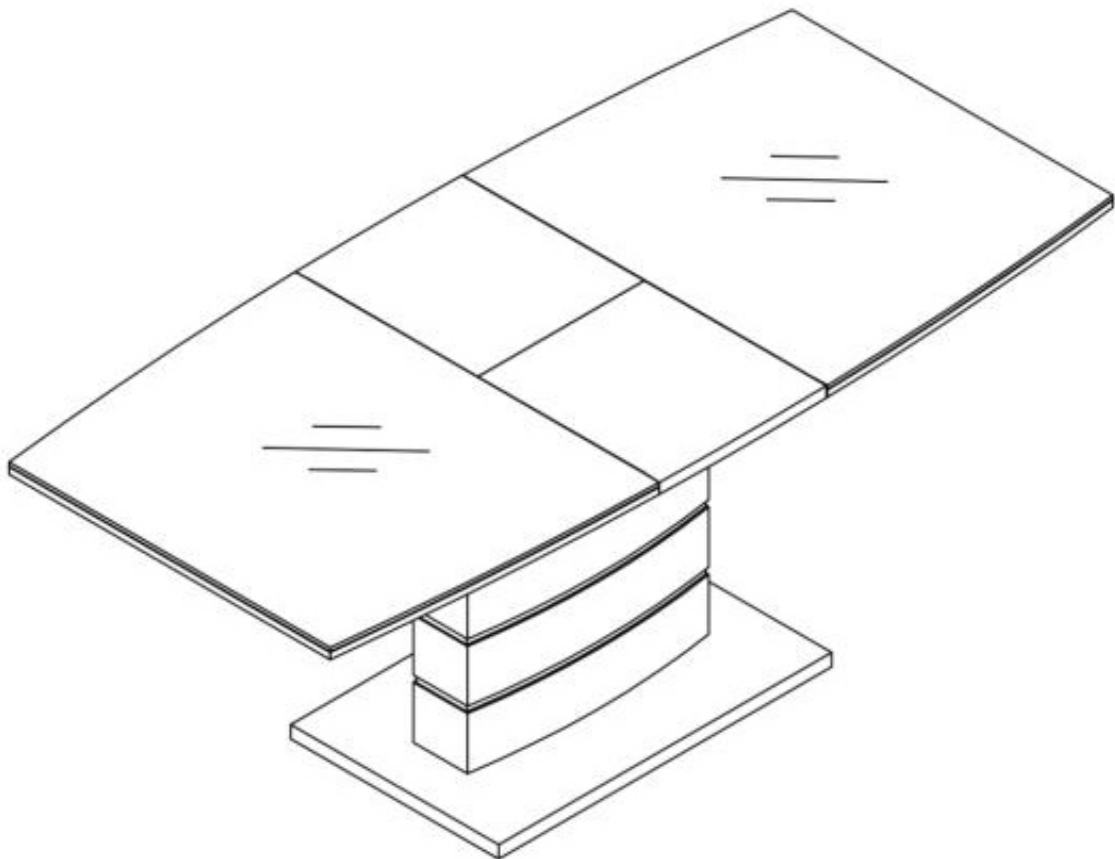
2



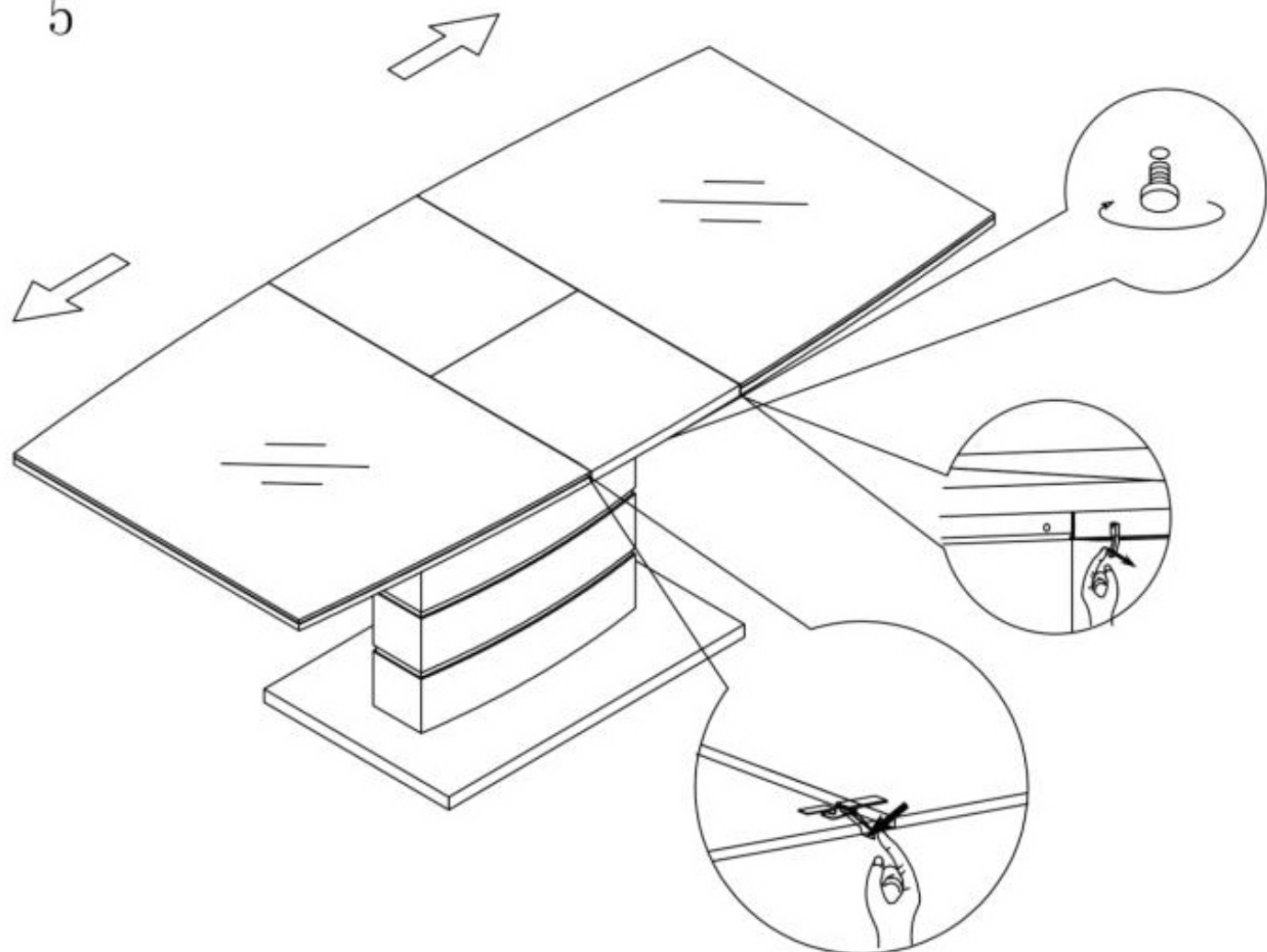
3



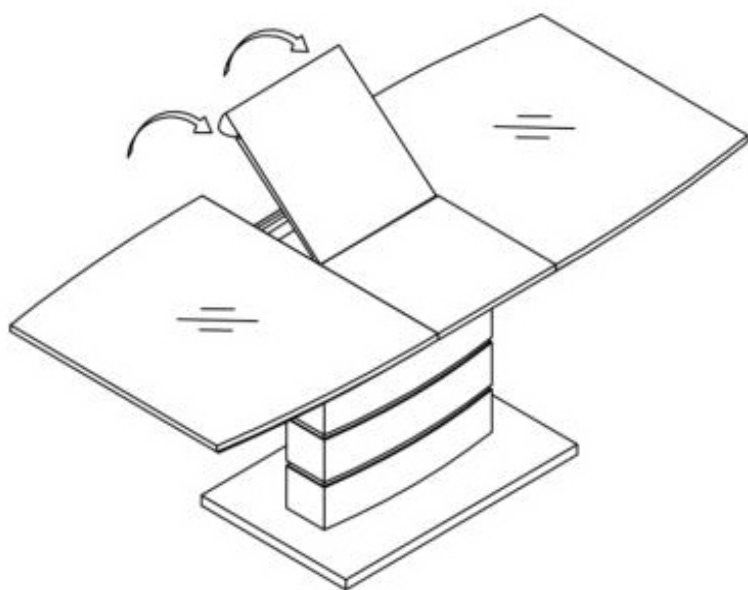
4



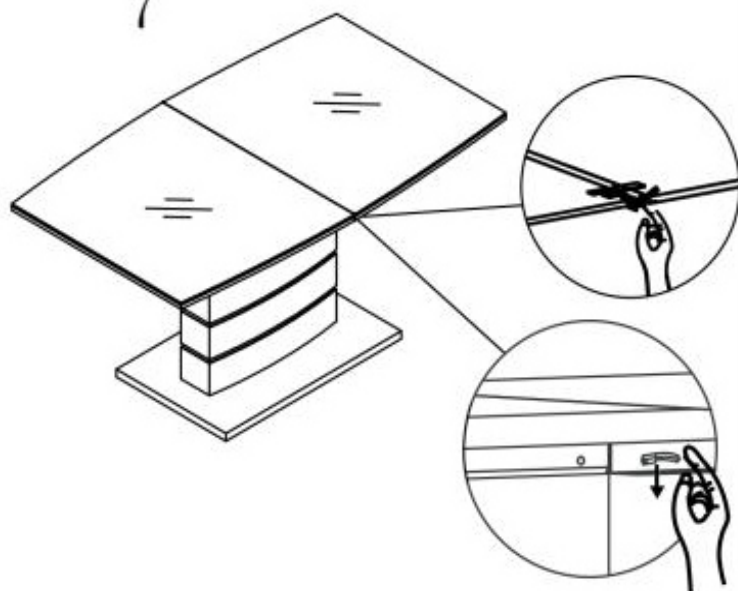
5



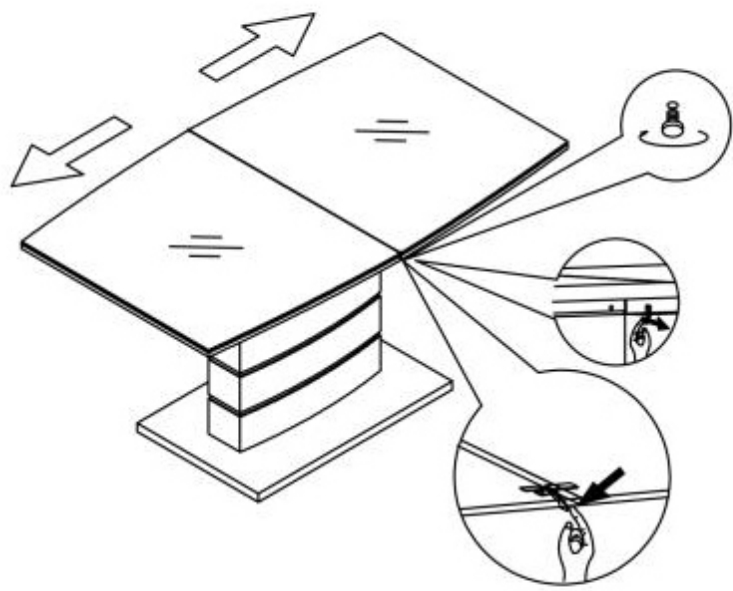
6



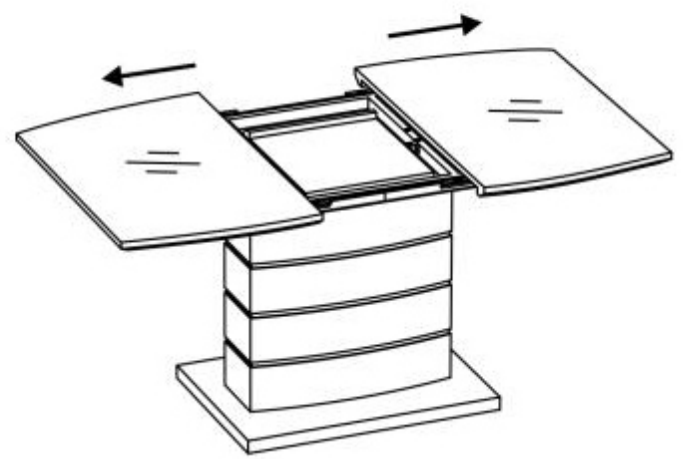
7



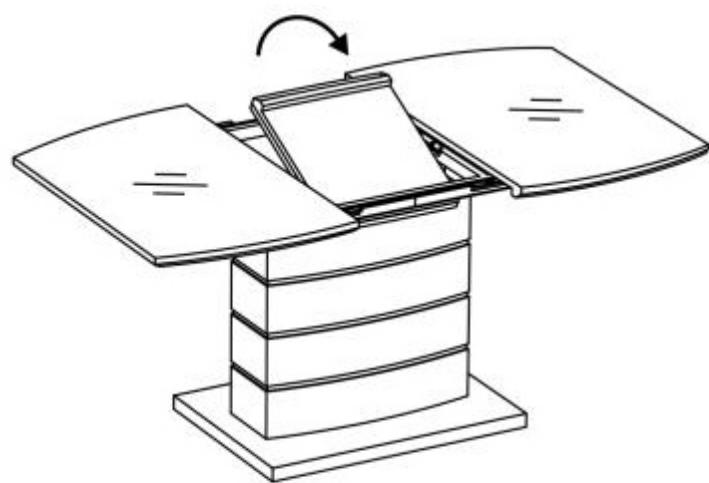
8



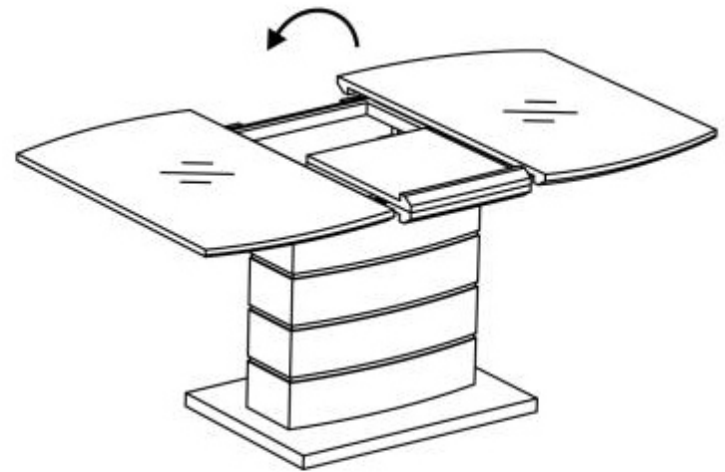
9



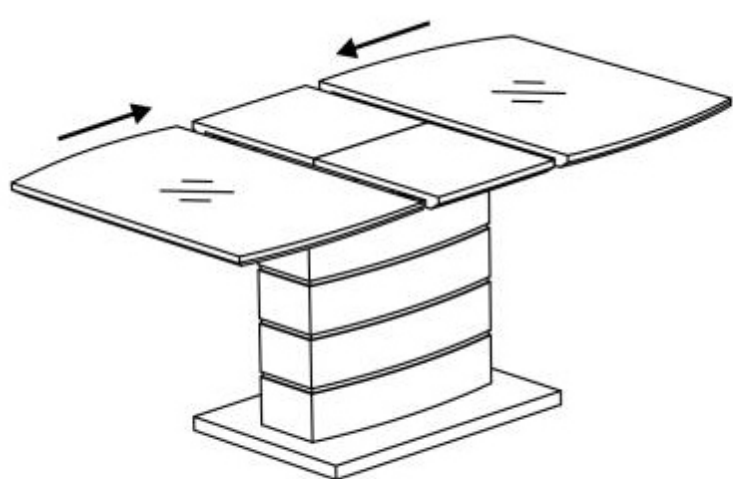
10



11



12



13

