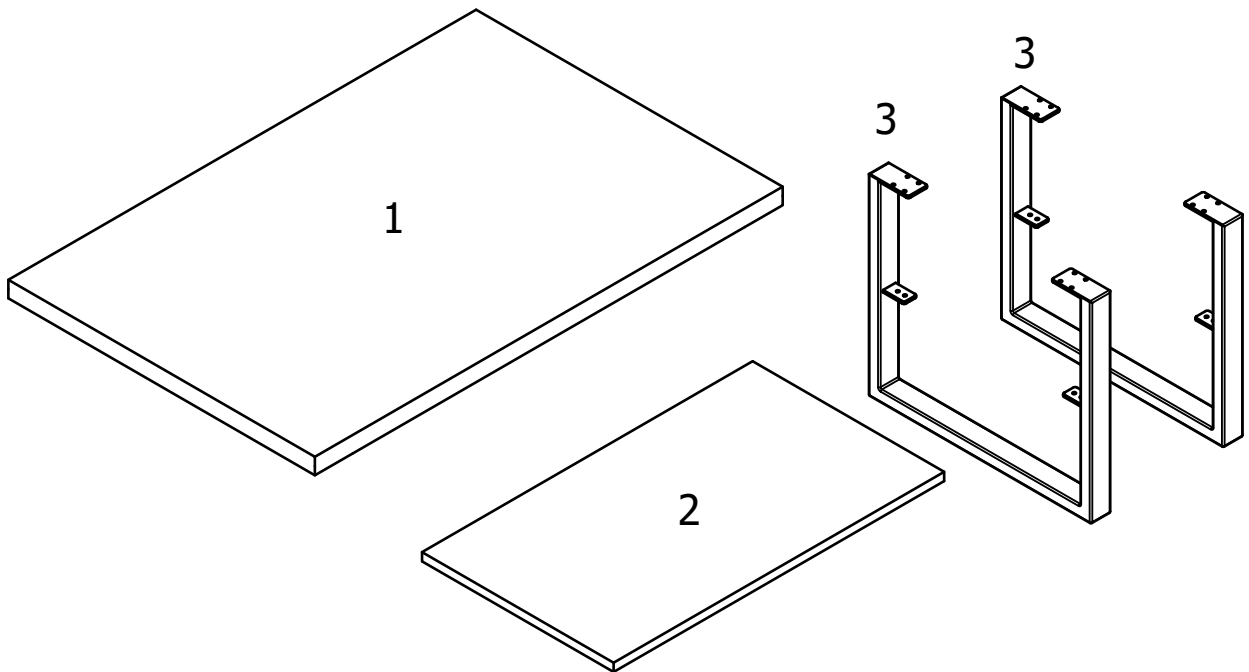
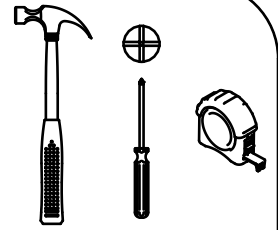
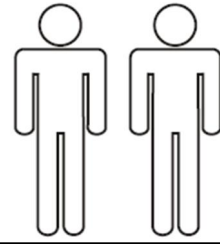
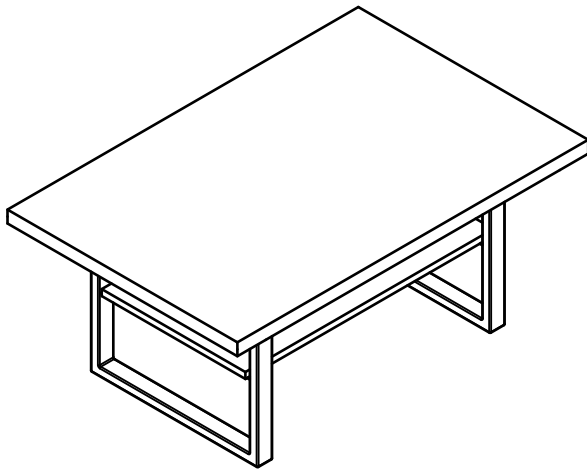
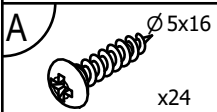


# Anton

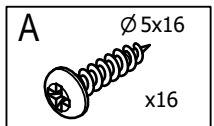
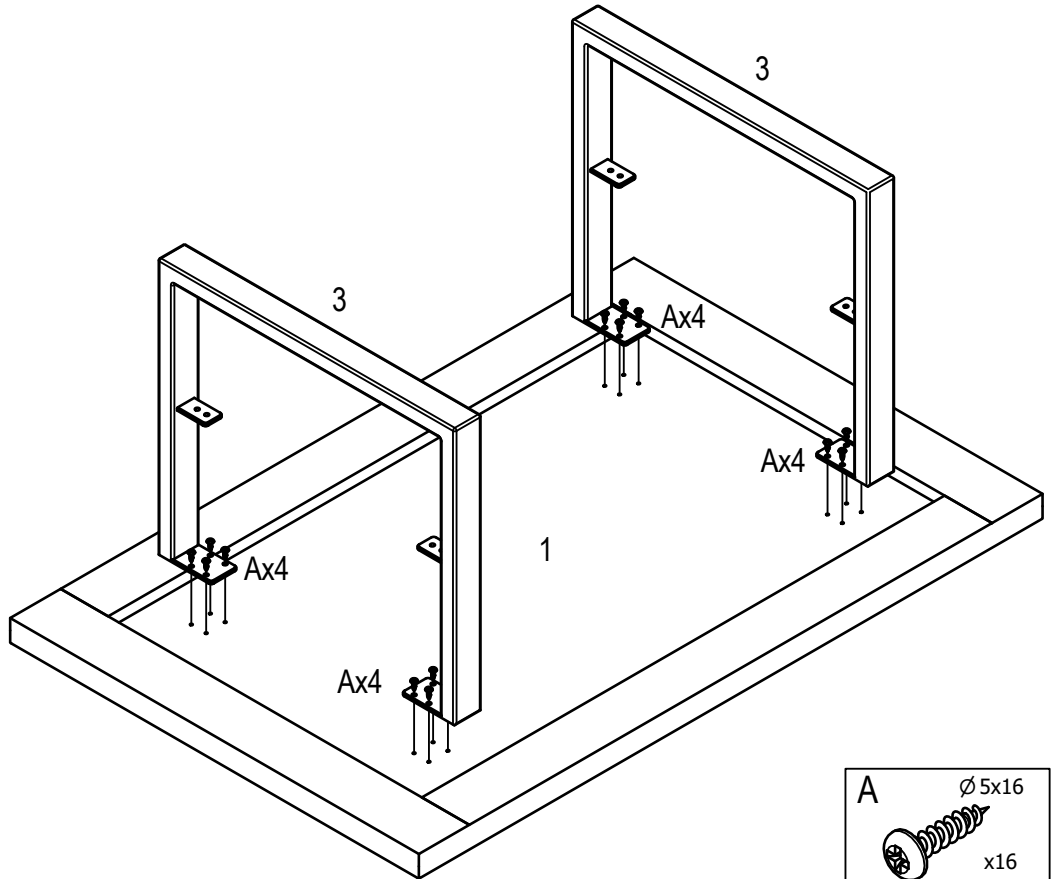
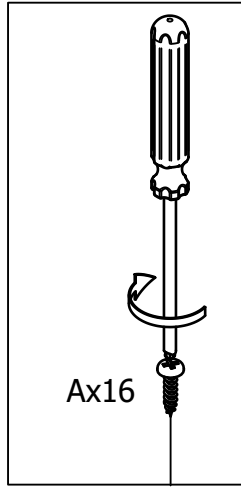


1/2

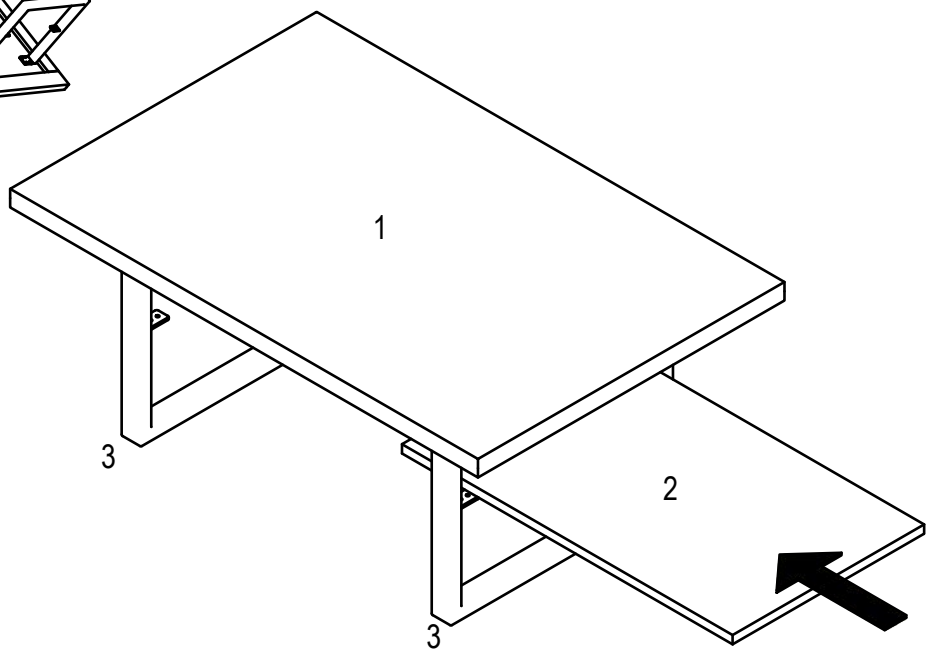
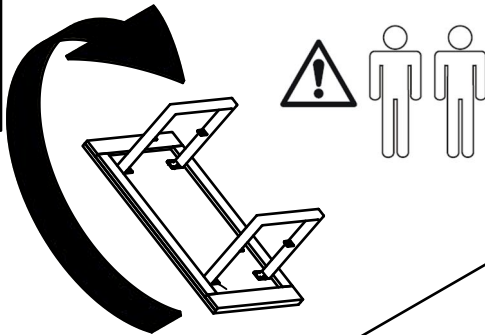
1	1	1x	1050x688x36
1	2	1x	742x430x18
2	3	2x	



I.



II.



III.

