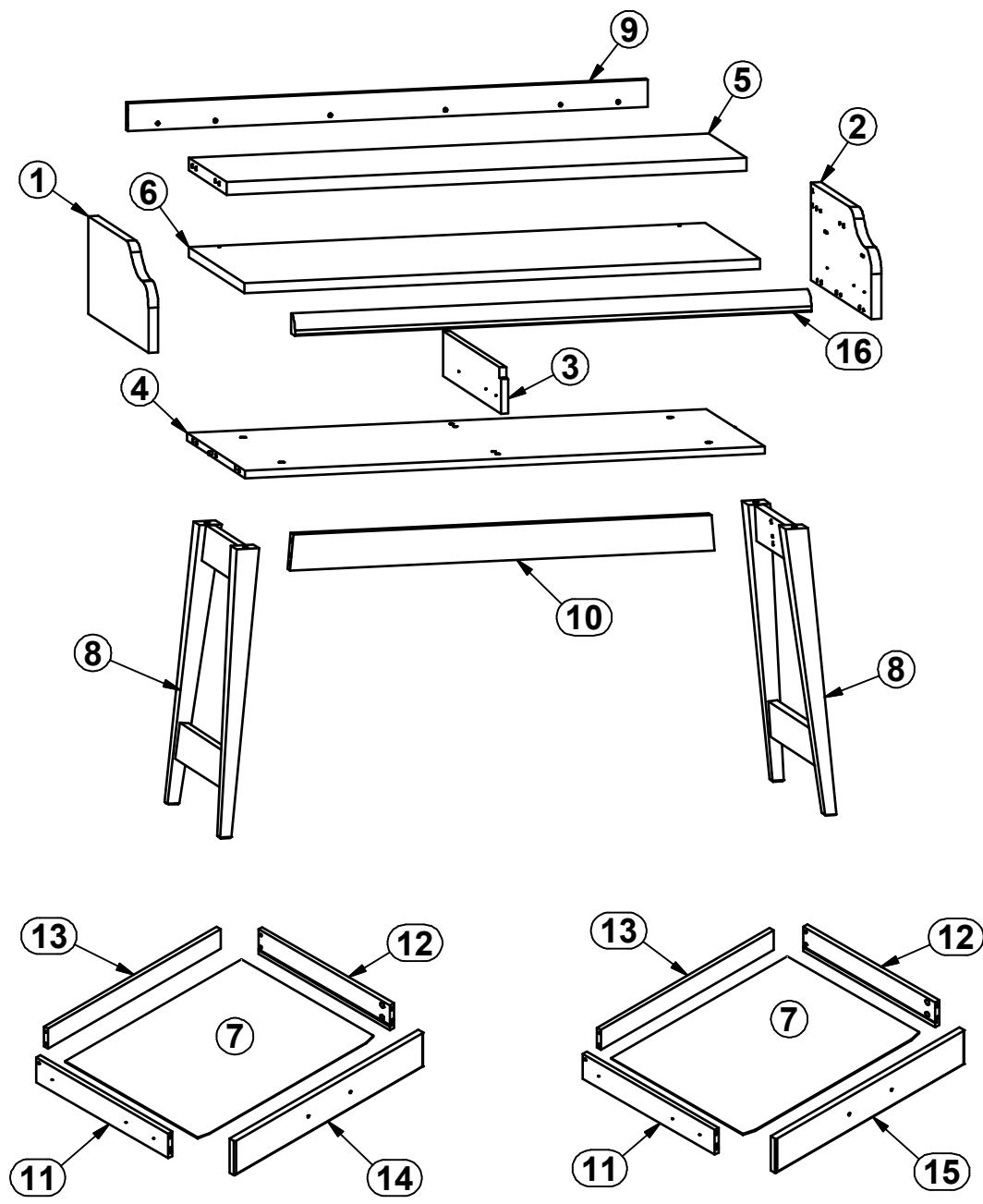
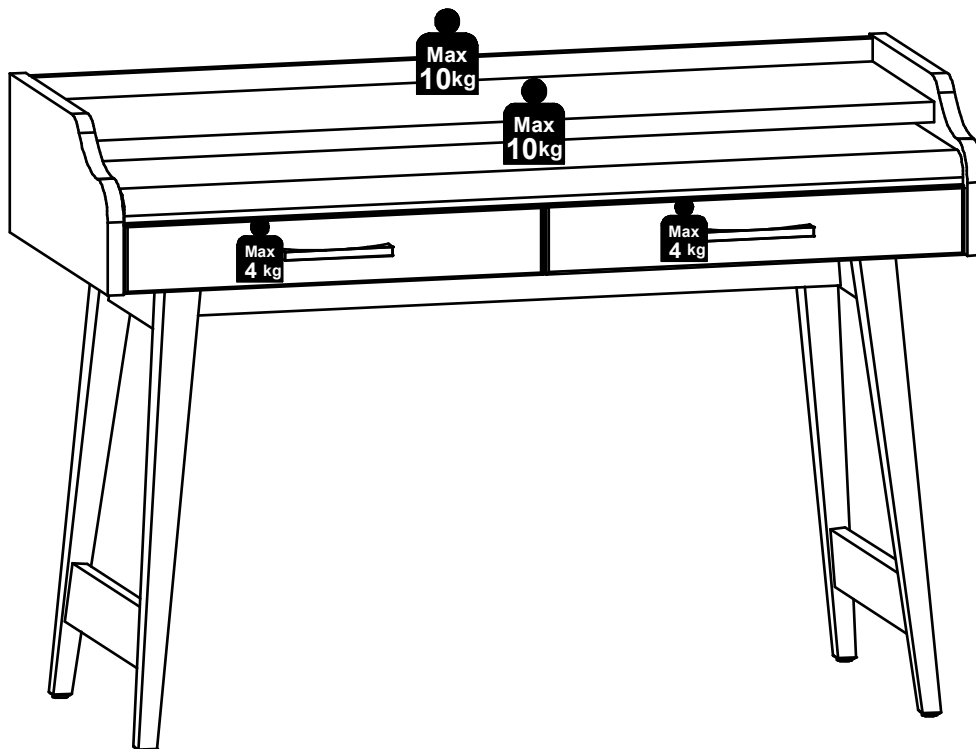
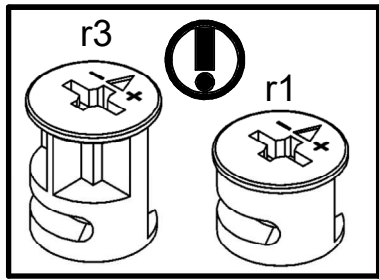
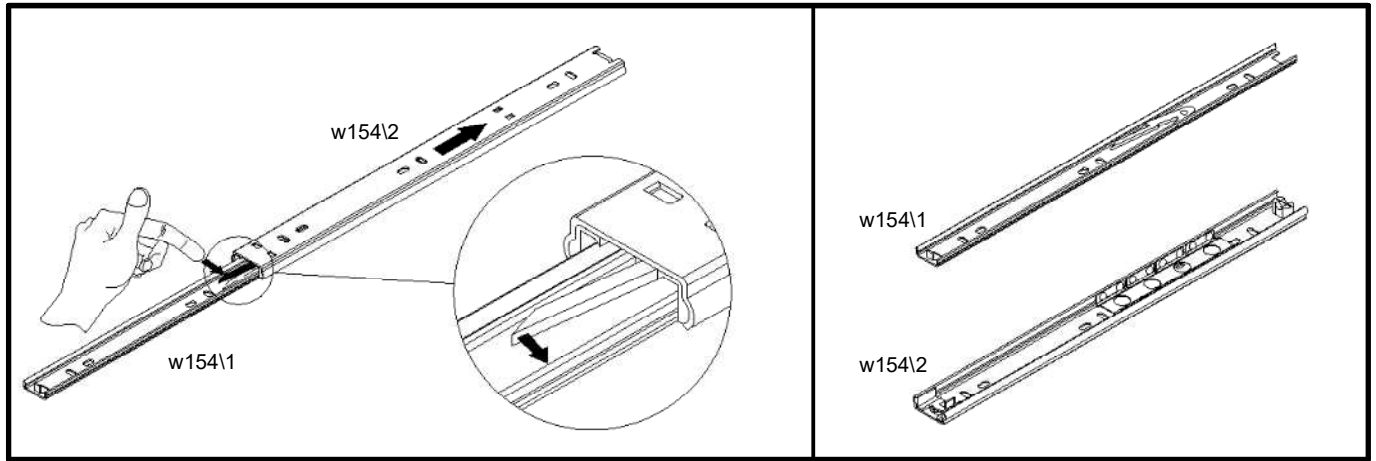




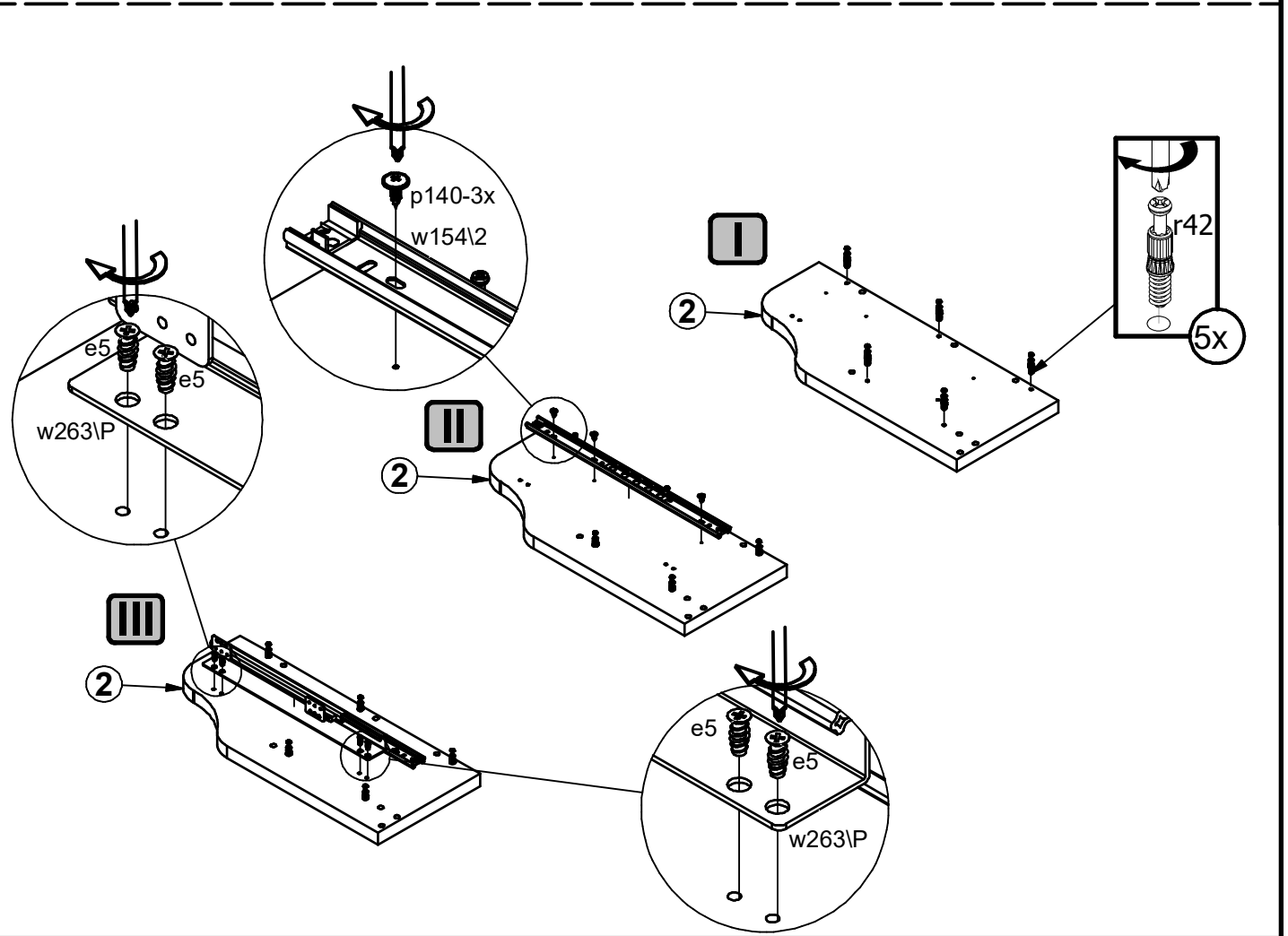
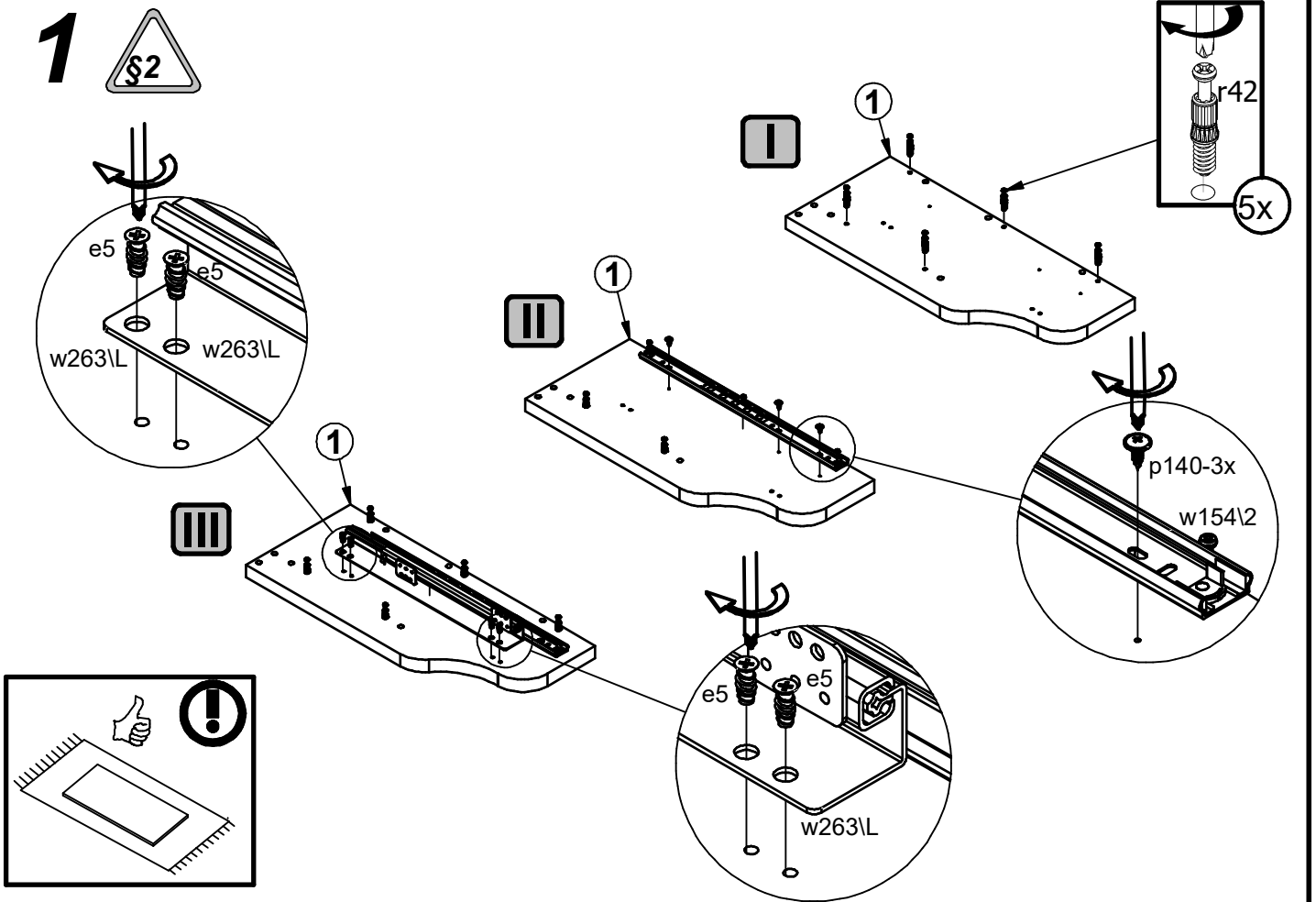
2x c535	4x d41\2	8x Ø7x50 mm e1	4x Ø5x50 mm e32	8x Ø6.3x13 mm e5
24x Ø8x30 mm f1	4x Ø6x30 mm f9	4x M4x25 mm j8	4x Ø20x3mm k103	2x Ø4x16 mm p19
2x Ø3.5x16 mm p25	2x Ø3.5x10 mm p35	18x Ø3.5x16 mm p38	32x Ø3.5x12mm p140	6x Ø15x12 mm #16 r1
6x Ø15x15 mm #22 r3	8x Ø12x10.5 mm #12 r15	20x r42	2x Ø22.3x10.1mm silikon s119	2x 400 mm t33
4x 400 w1542	4x 400 w1541	1x w263L	1x w263P	1x z1
2x Ø3.5x16 mm p38	1x 88x21x15/1.5 n14\2	1x Ø5x60 mm p17	1x Ø10x50 mm f35	

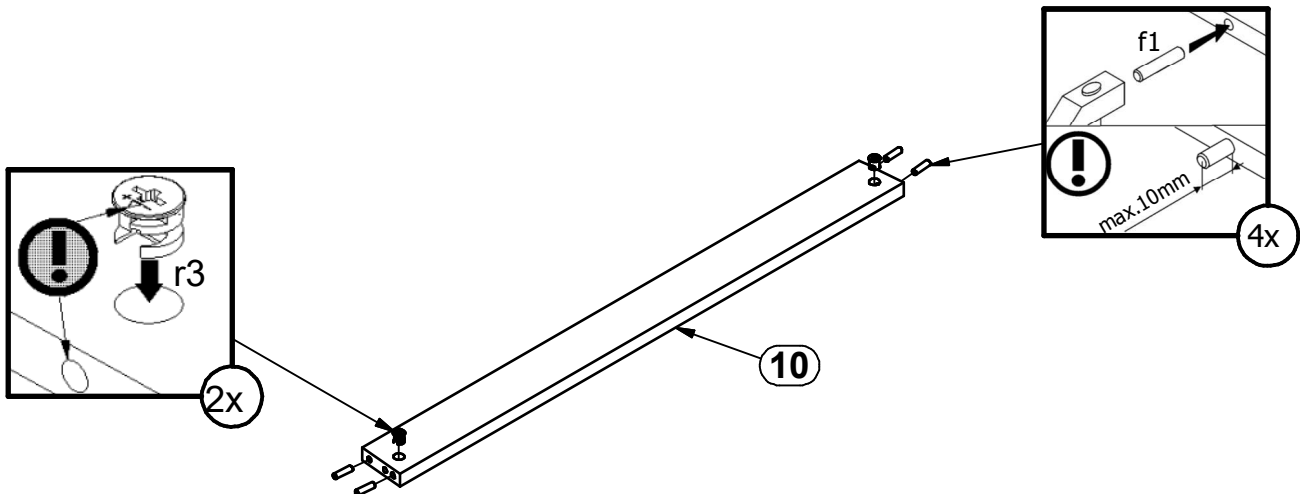
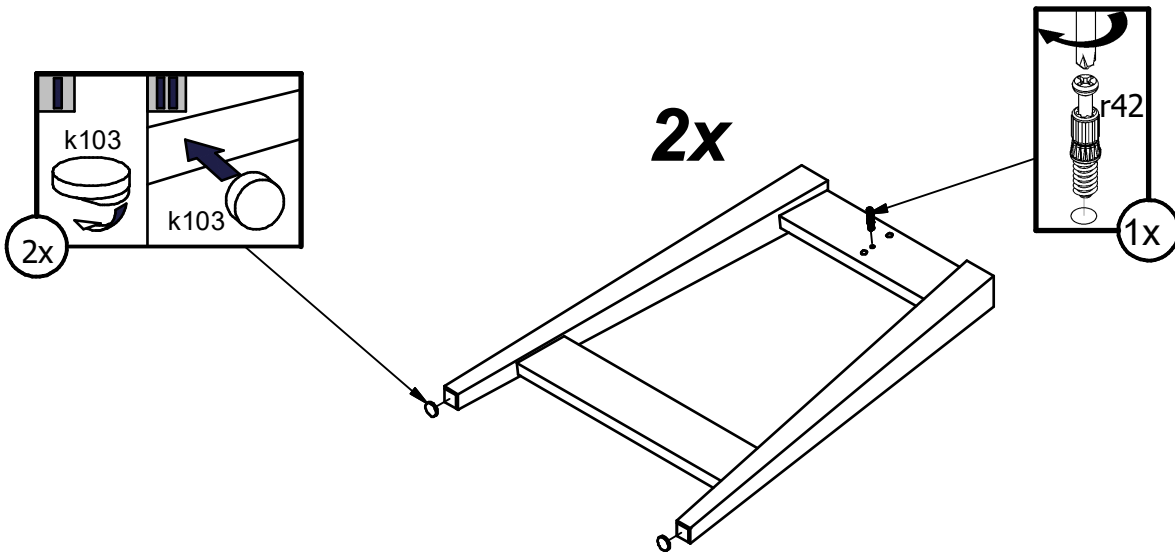
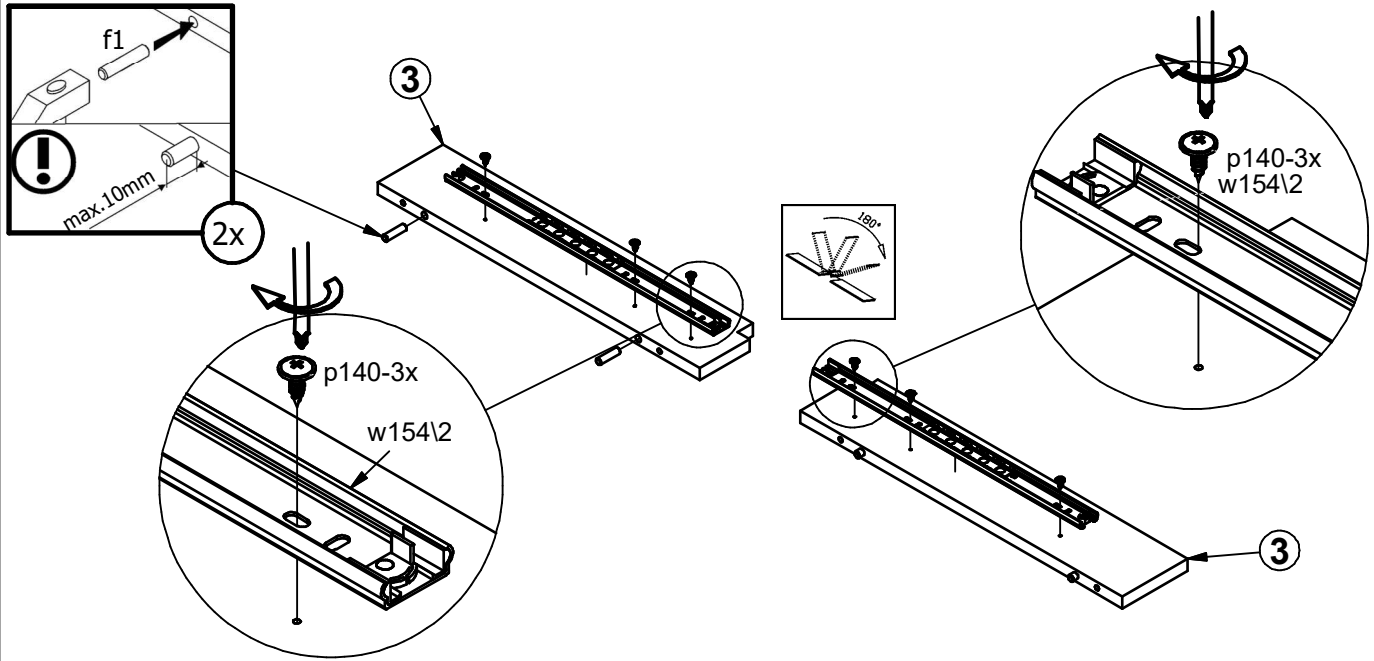
A	B	C1	C2	C3	D
1	S531-1002	500	213	22	1/3
2	S531-1003	500	213	22	1/3
3	S531-1001	482	98	16	1/3
4	S531-3002	1156	482	16	2/3
5	S531-3001	1156	315	28	1/3
6	S531-3003	1148	458	22	2/3
7	WSP-9386	535	408	2.5	2/3
8	S531-5101	620	460	100	3/3
9	S531-4001	1156	60	16	1/3
10	S531-4002	943	78	21	1/3
11	S531-5301	400	65	12	1/3
12	S531-5302	400	65	12	1/3
13	S531-5701	525	52	12	1/3
14	S530-0001	573	90	16	1/3
15	S531-0002	573	90	16	1/3
16	S531-5001	1149	44	32	1/3

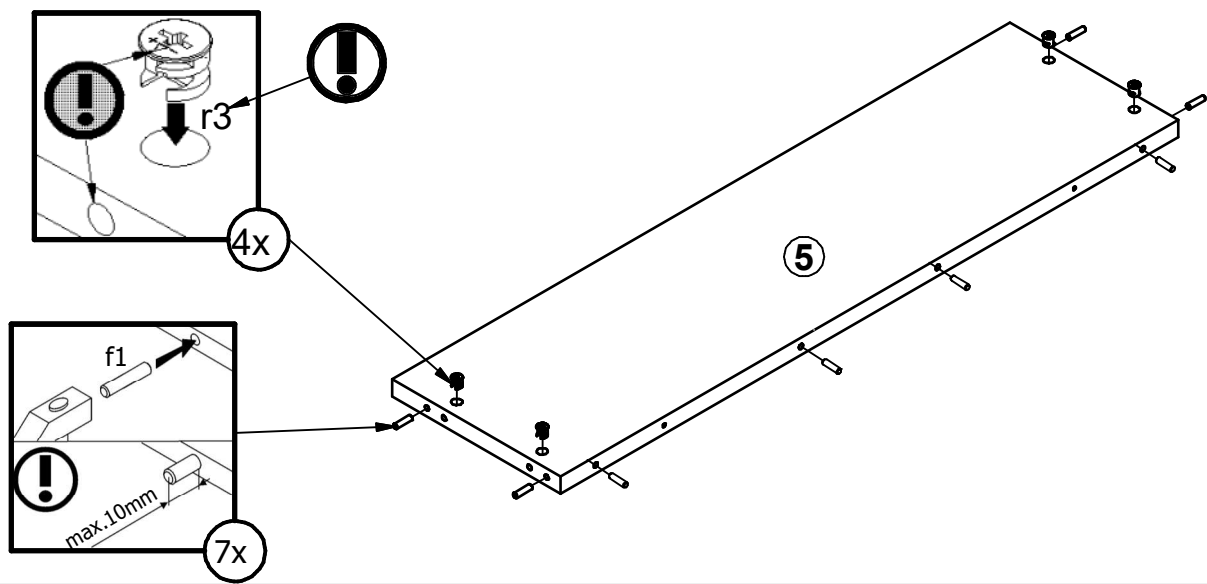
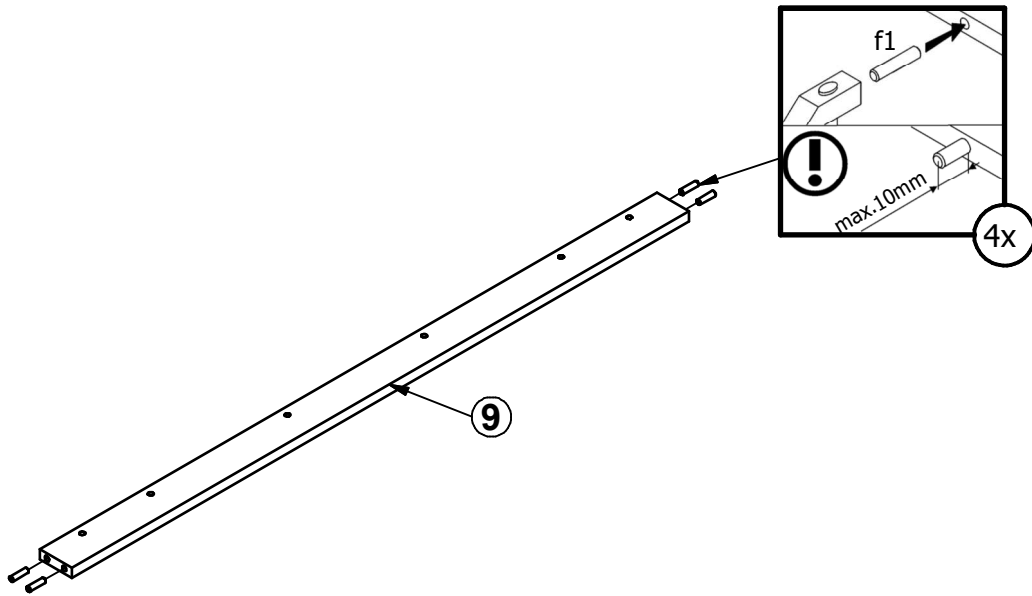
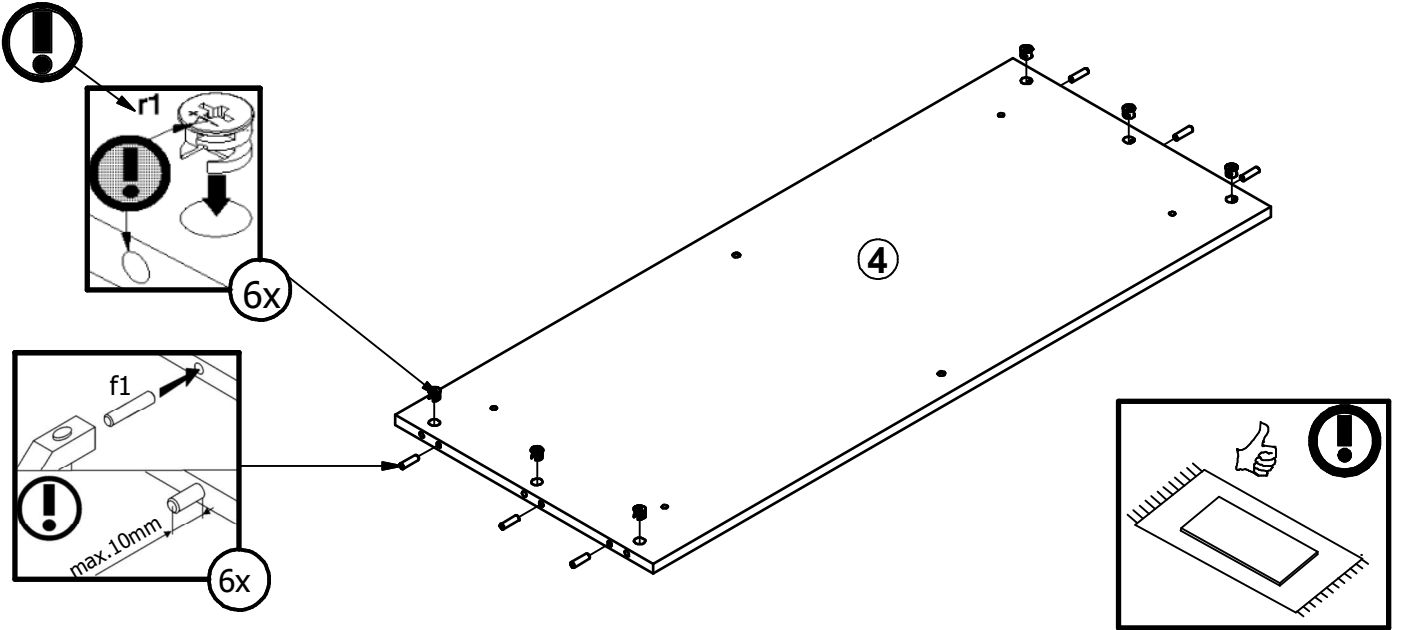


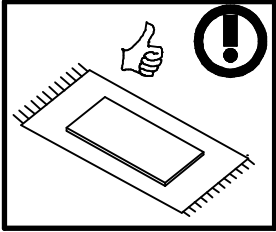


1

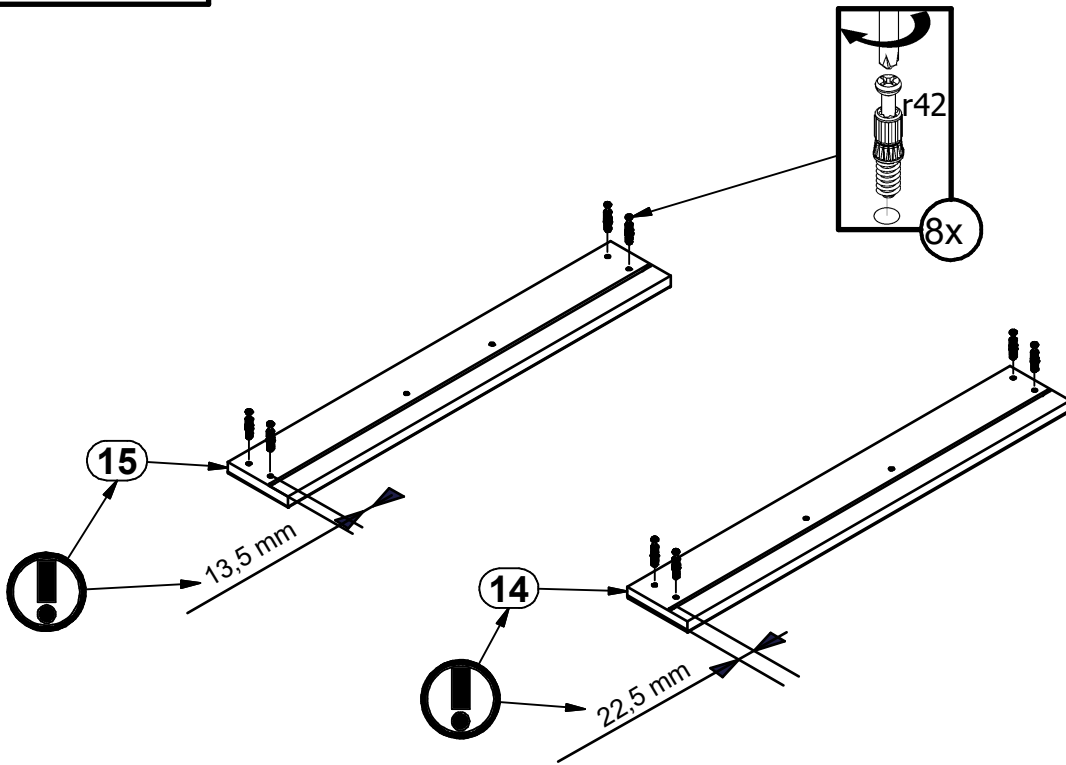




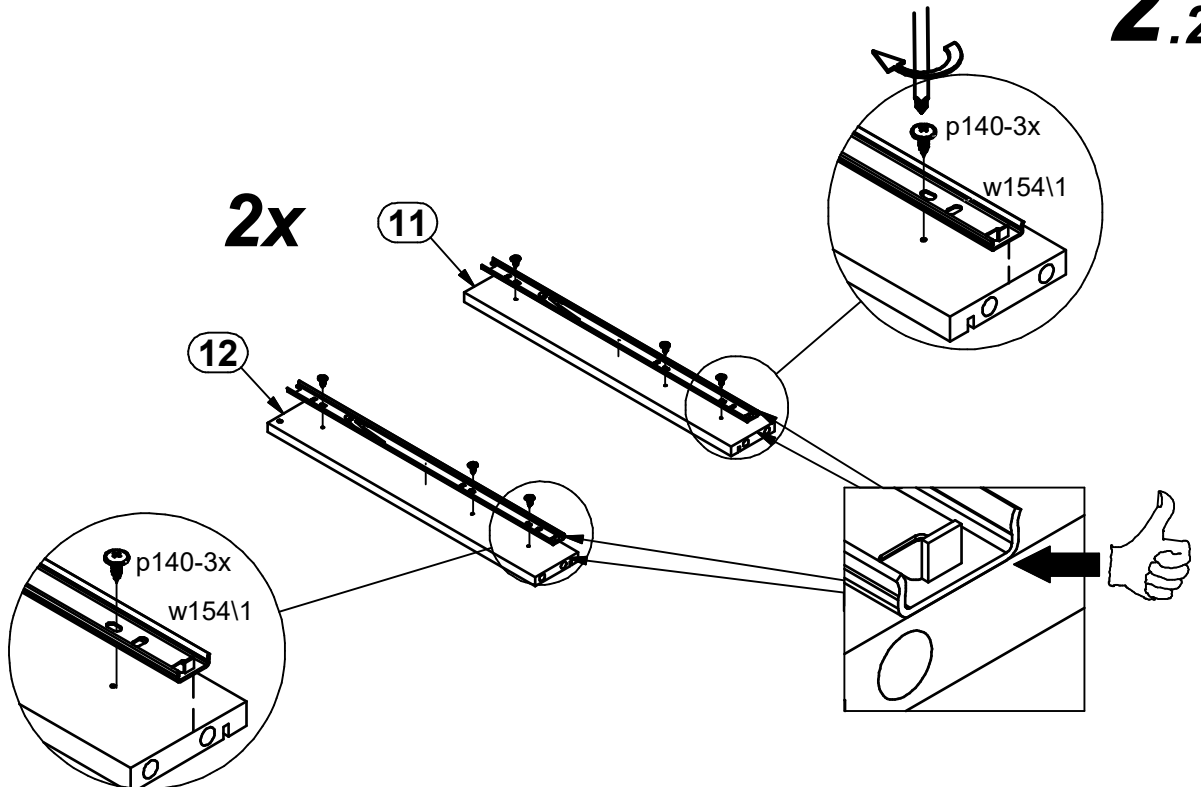




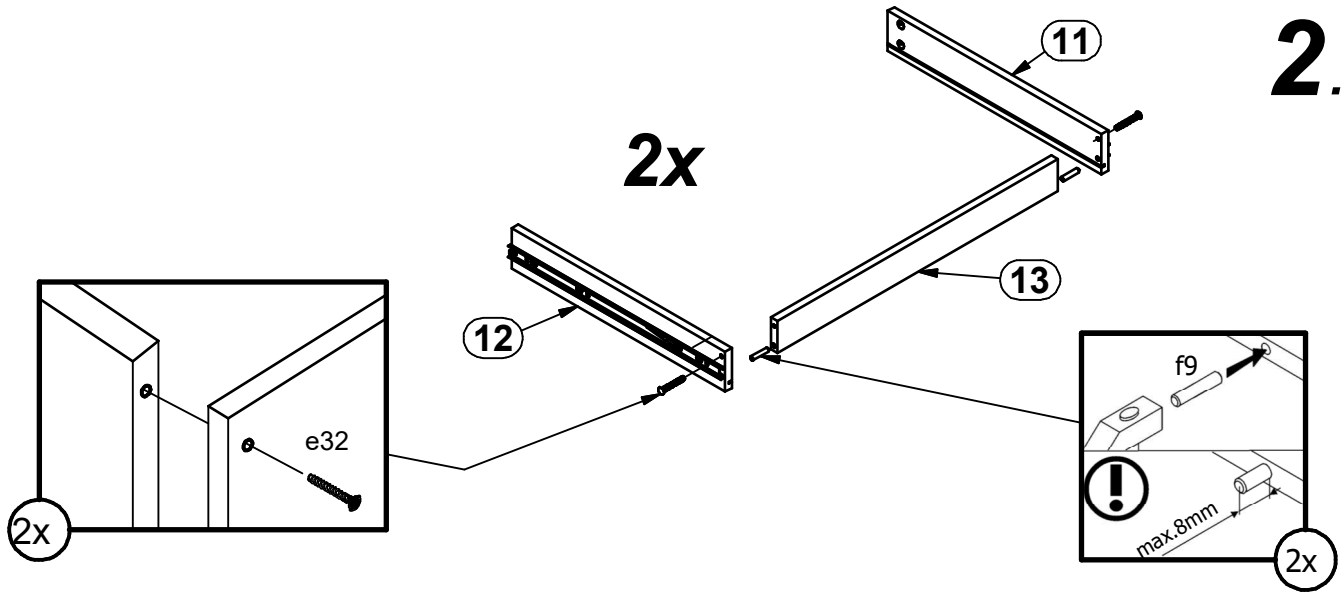
2.1



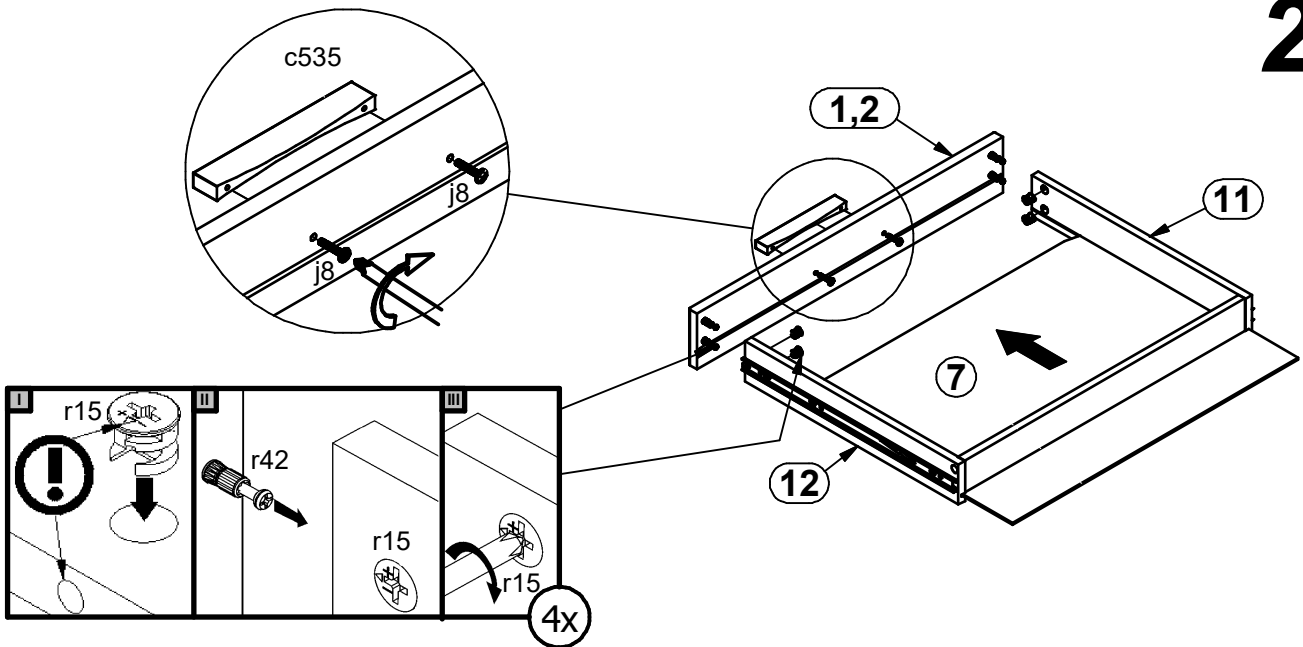
2.2



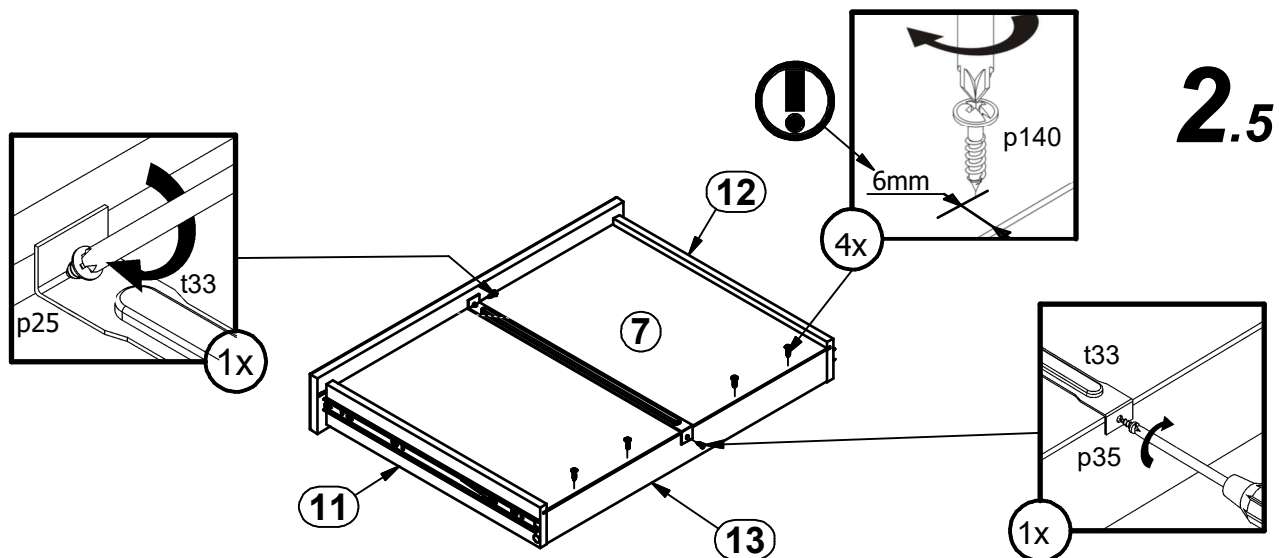
2.3

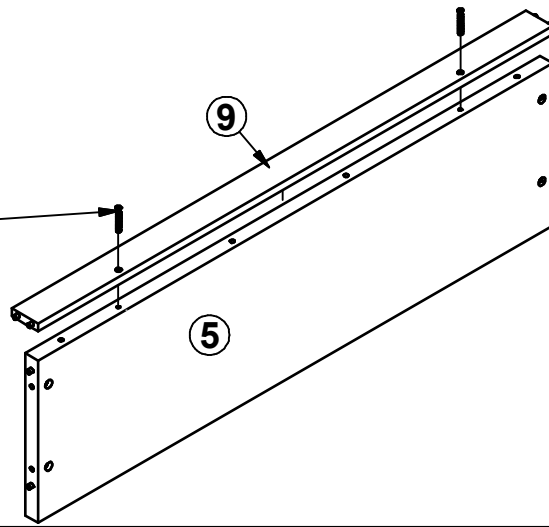
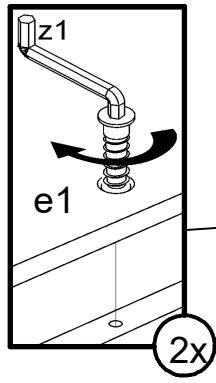


2.4

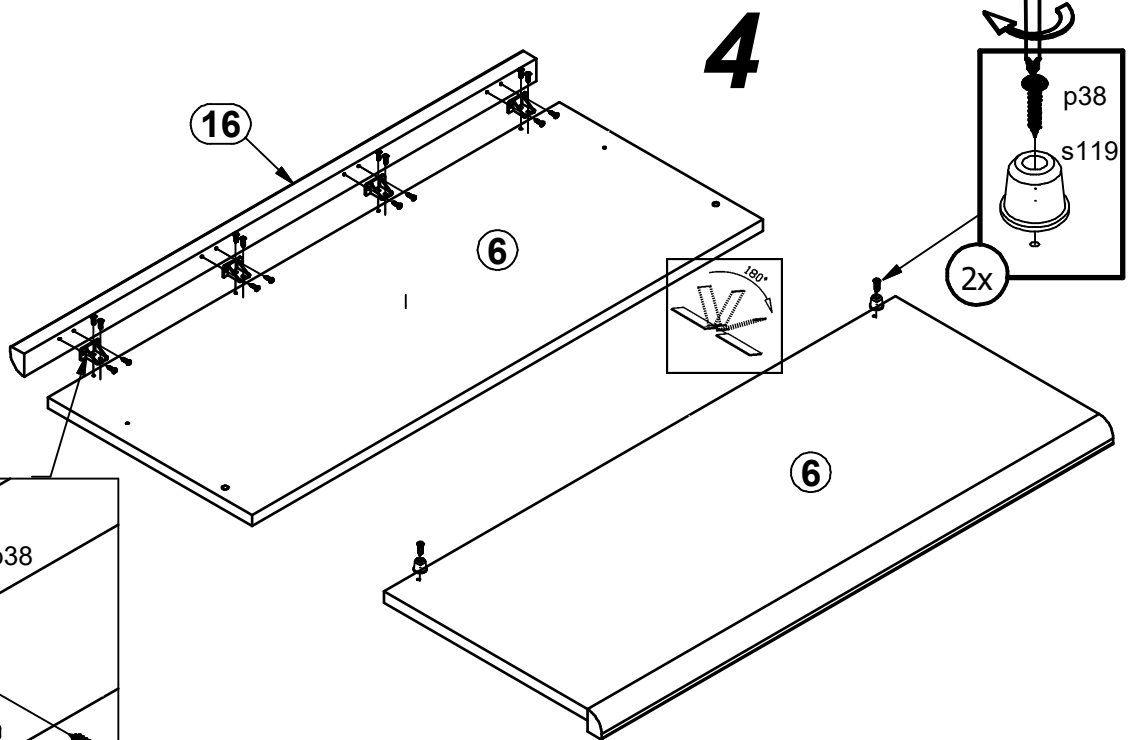
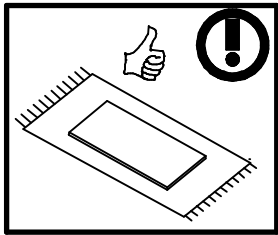


2.5

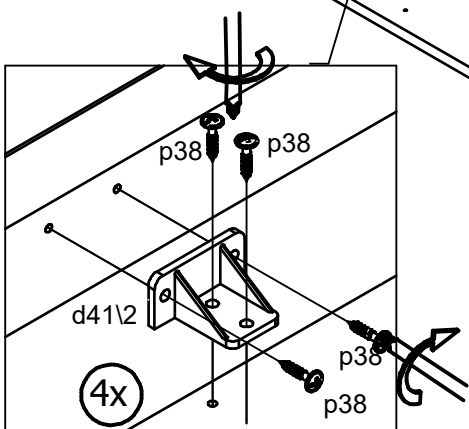
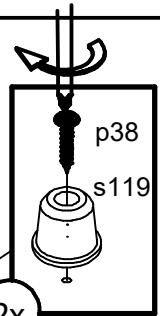




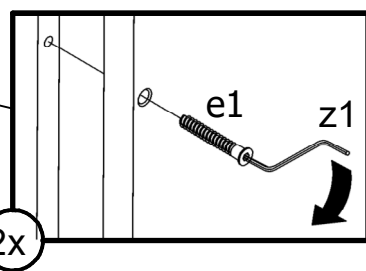
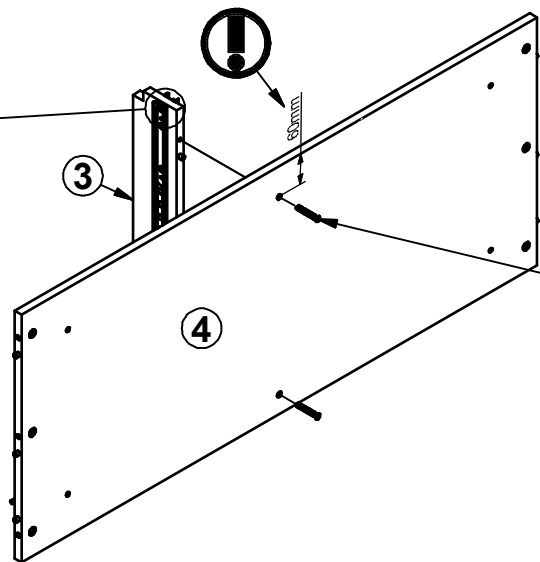
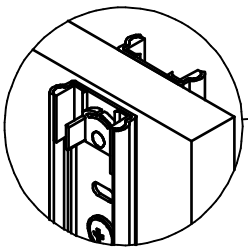
3



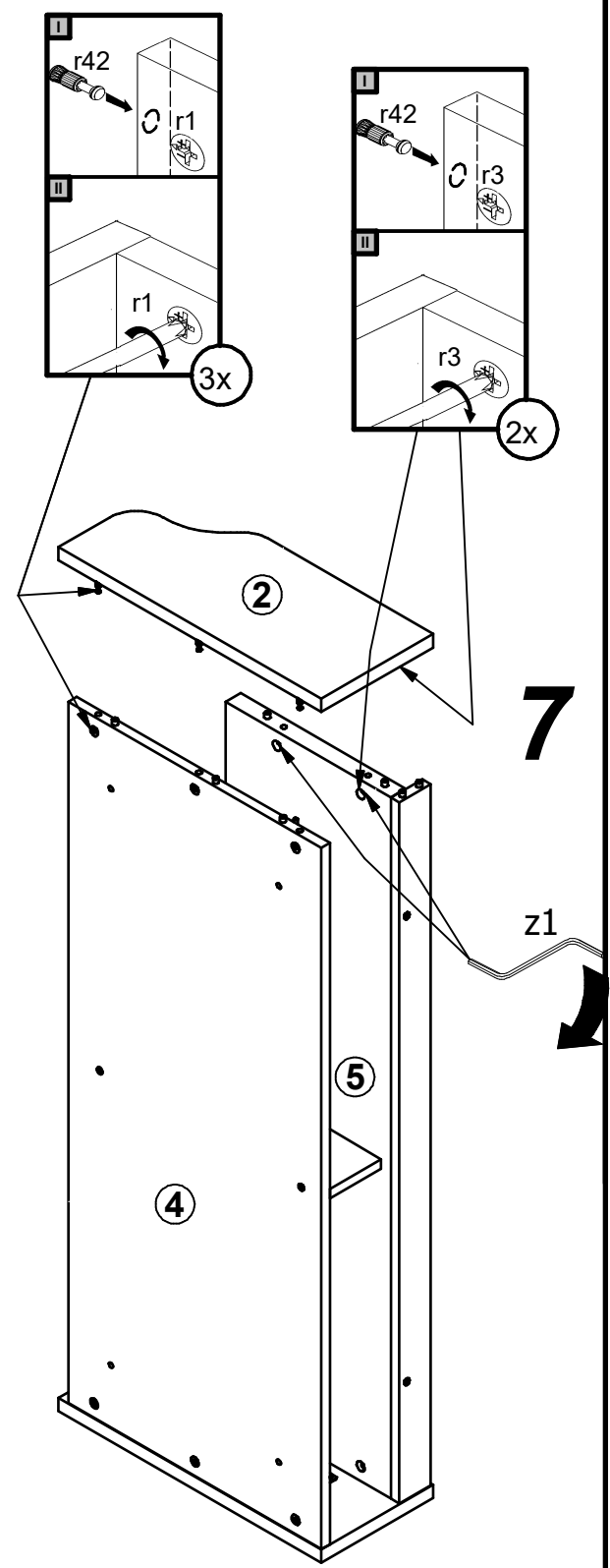
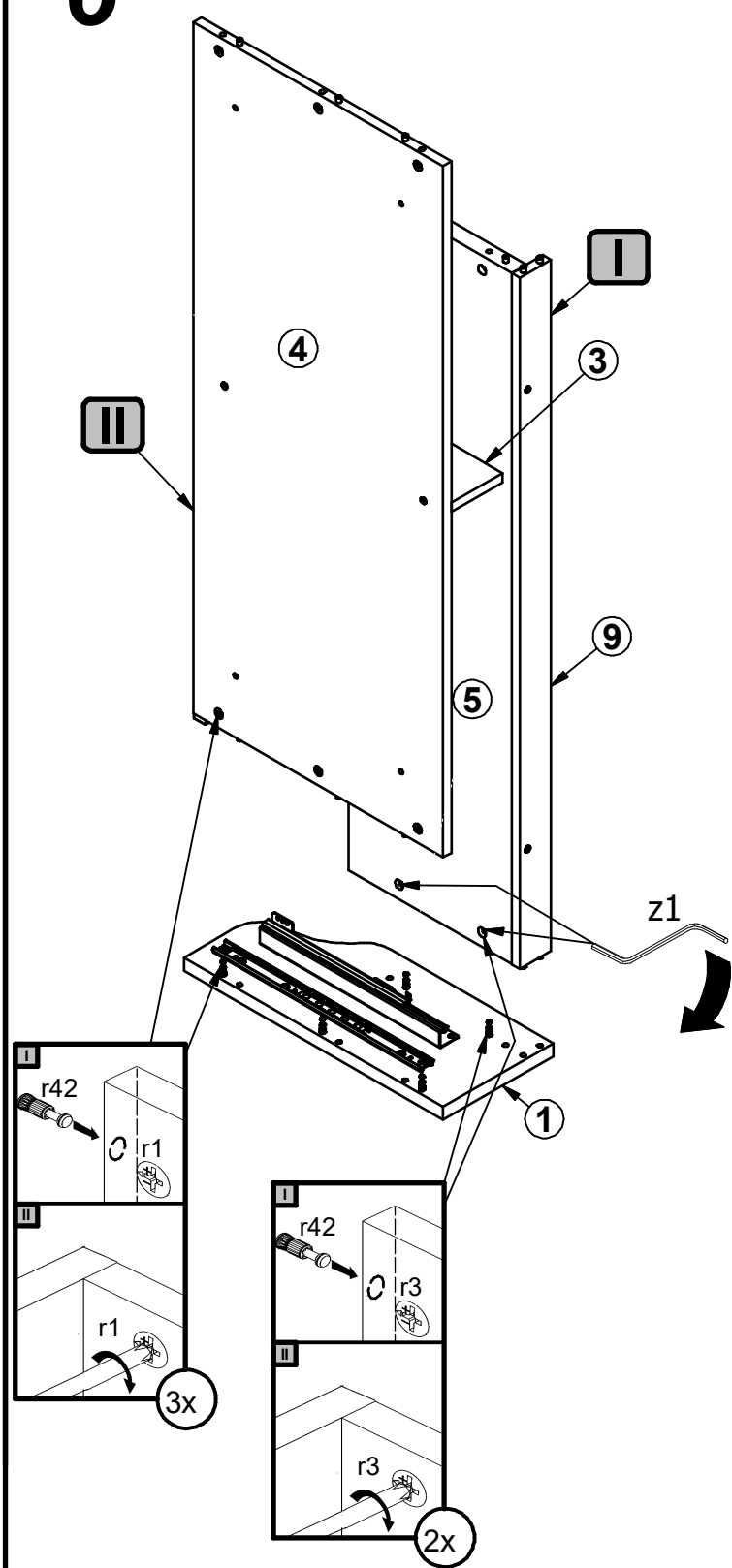
4



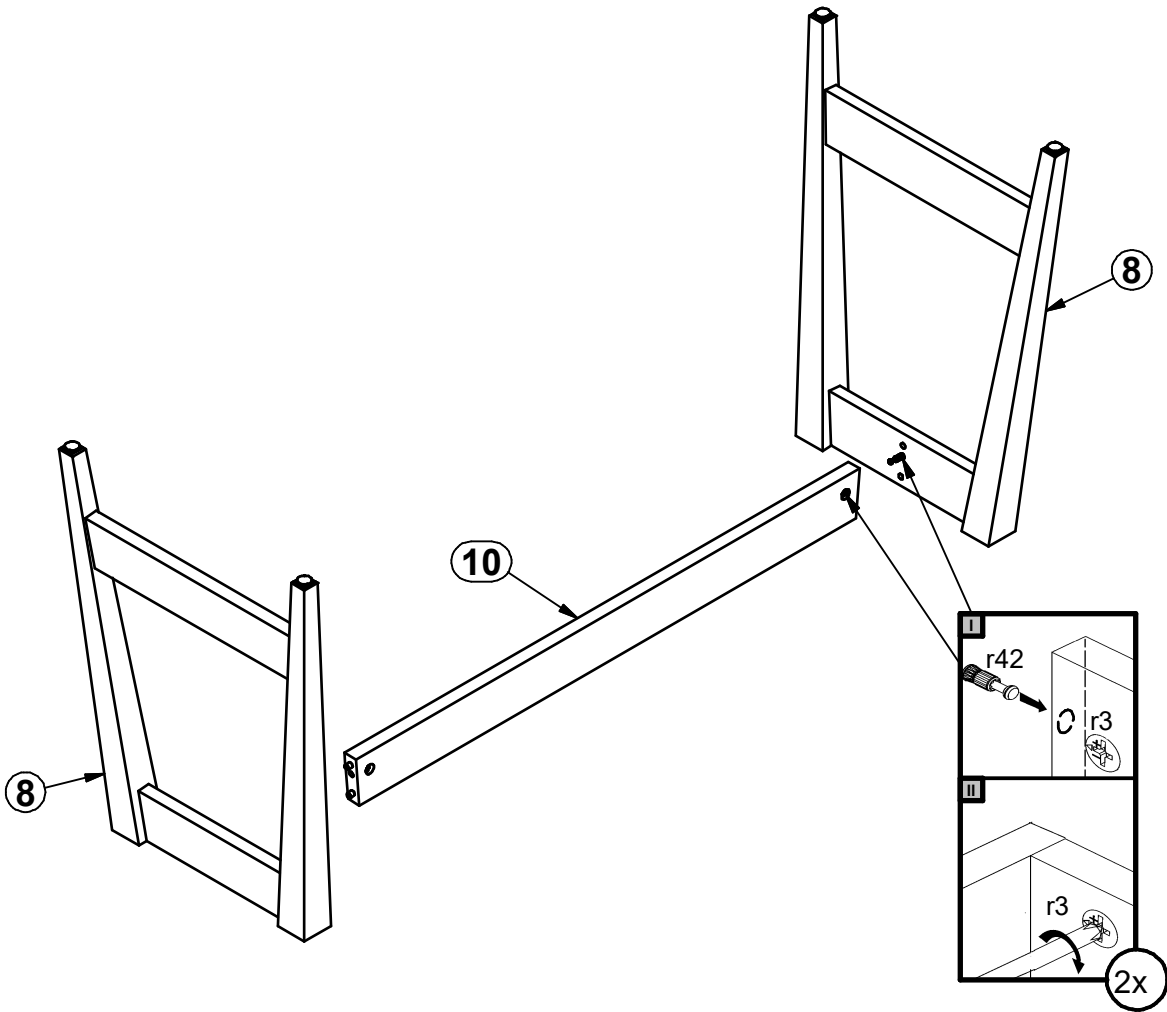
5



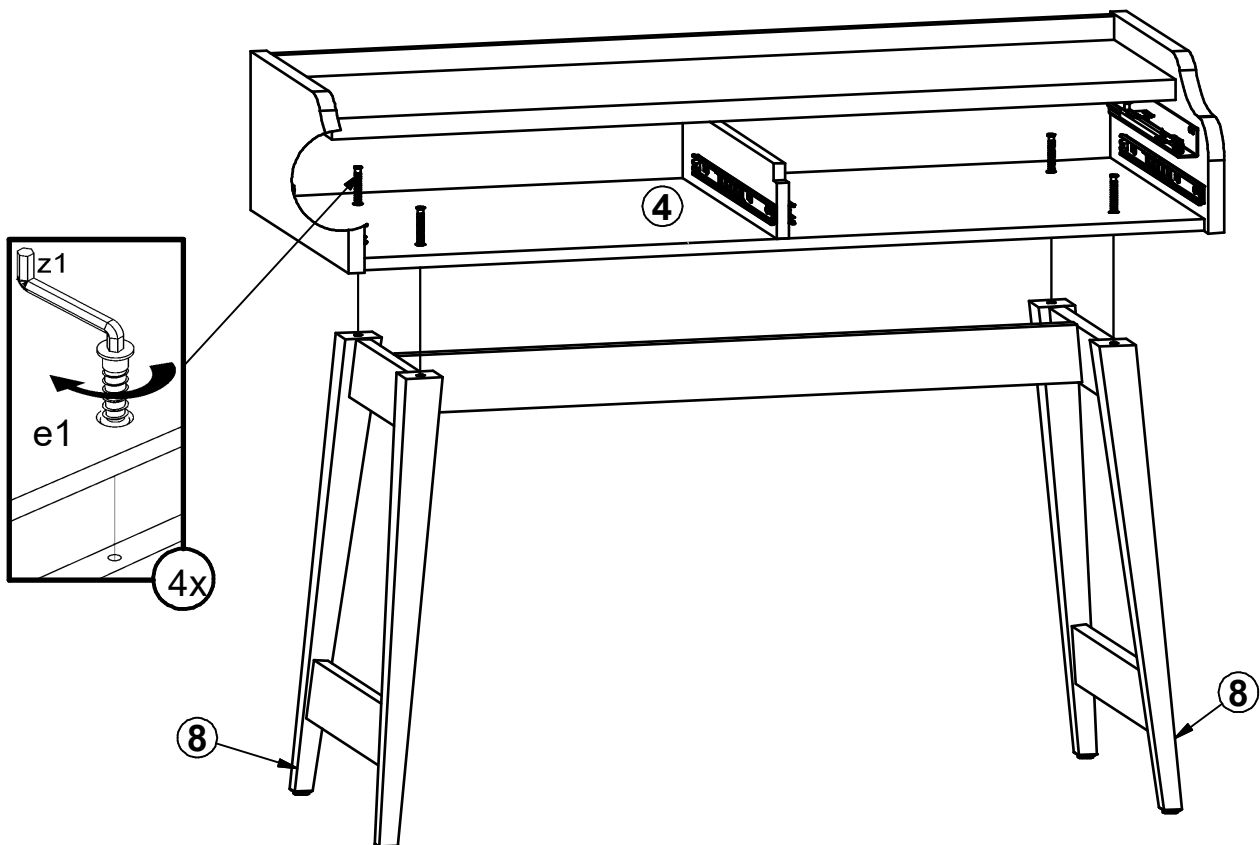
6



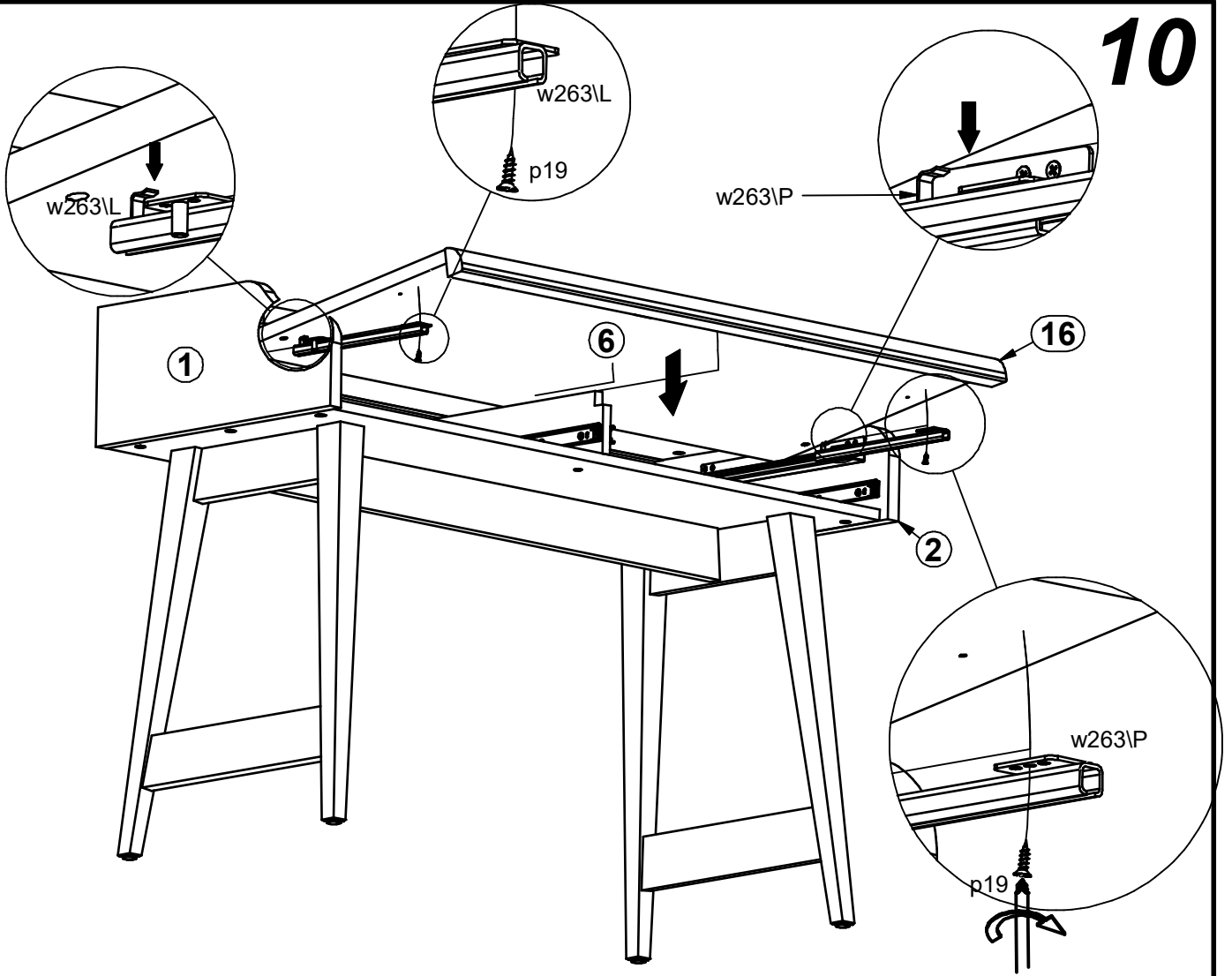
8



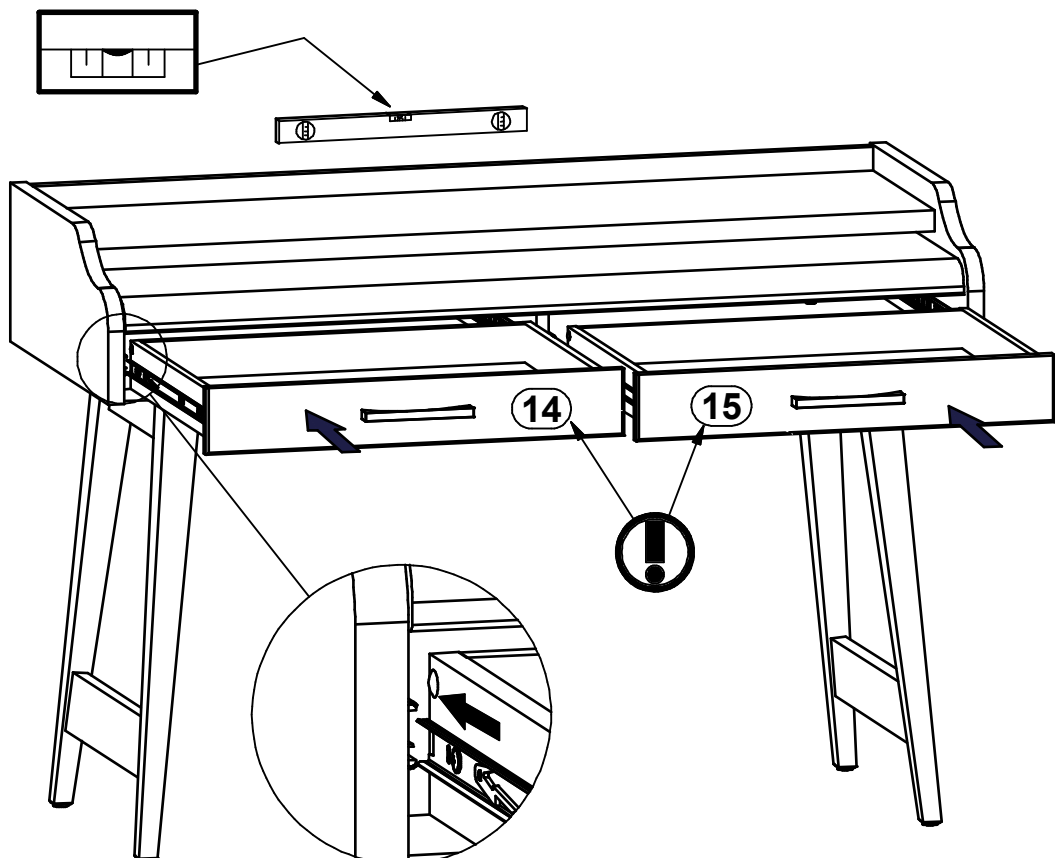
9



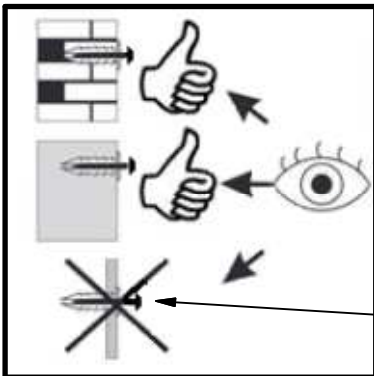
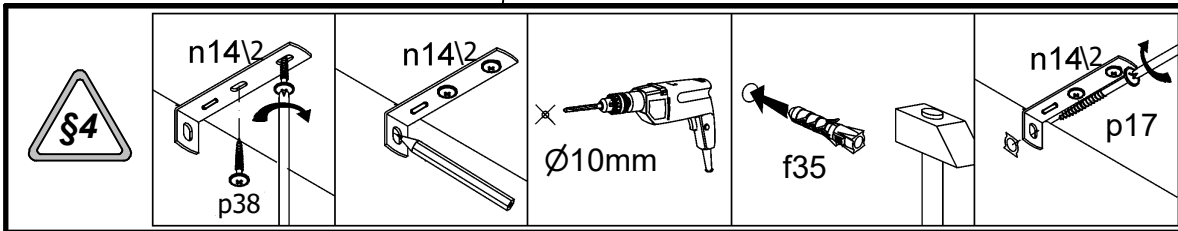
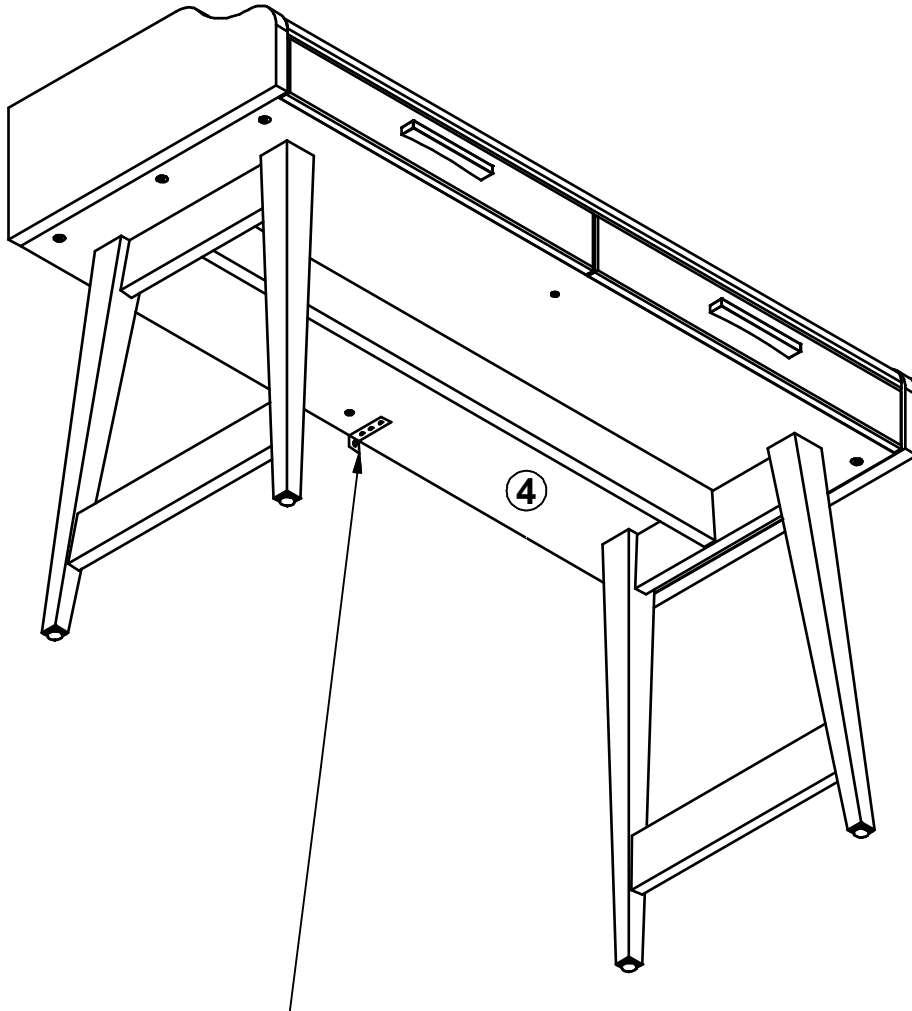
10



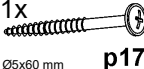



11



12



- 2x  **p38**
Ø3,5x16 mm
- 1x  **n14/2**
86x21x15/1,5
- 1x  **p17**
Ø5x60 mm
- 1x  **f35**
Ø10x50 mm