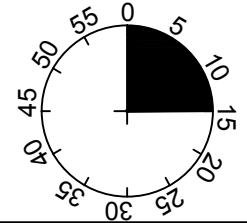
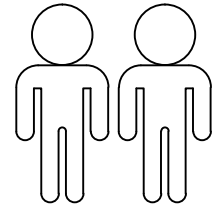
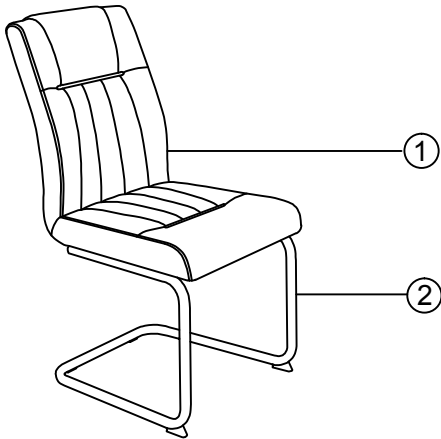
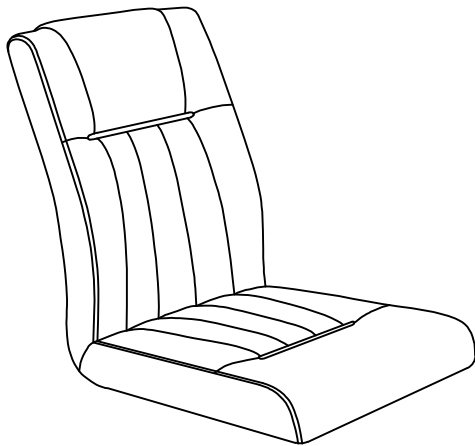


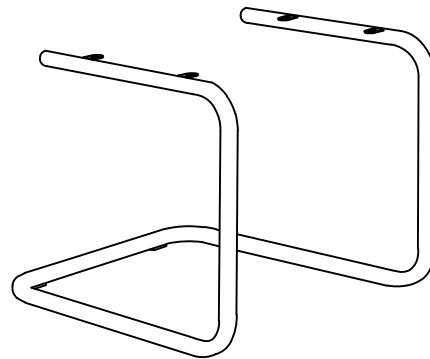
# Charleen








1



2

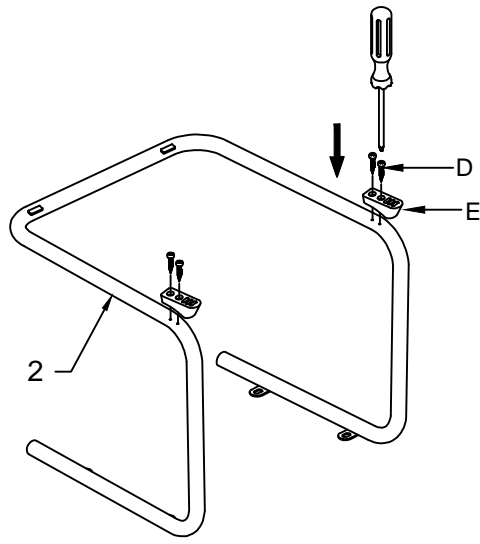


1	1x
2	1x

A	M6X20	B	Ø18xØ6x1.5	C	4MM	D	M4X20	E	
									
	4x		4x		1x		4x		2x

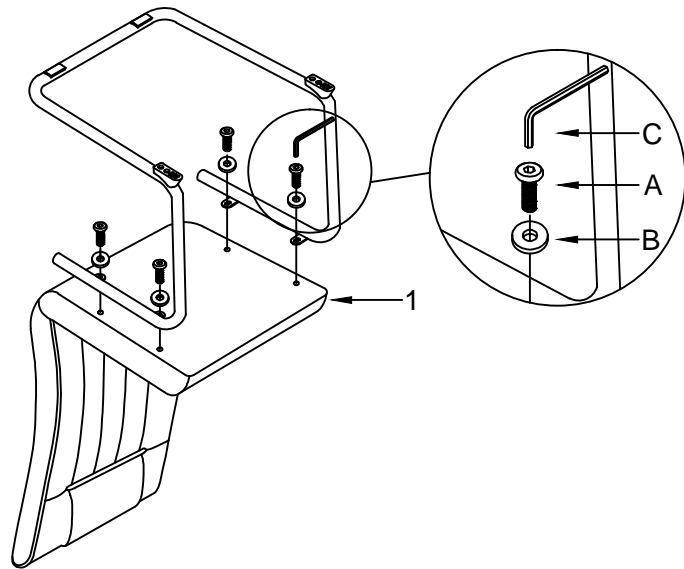
I.

1



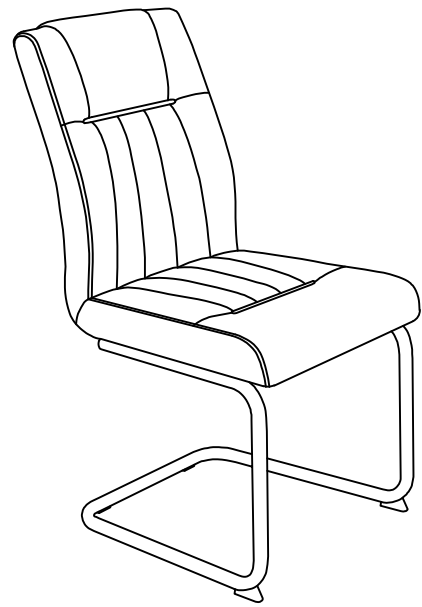
D	M4x20
	4x
E	
	2x
	100%

2



A	M6X20
	4x
B	Ø18xØ6x1.5
	4x
C	4MM
	1x
	75%

3



C	4MM
	1x
	100%

