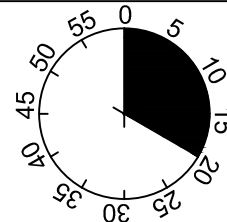
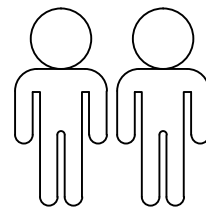
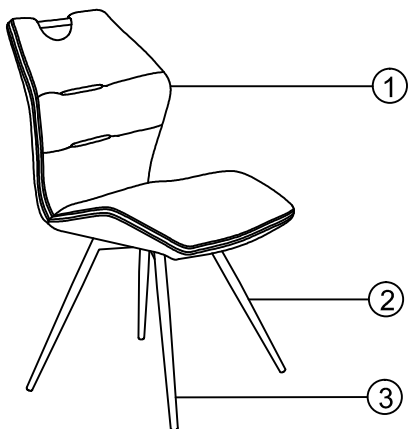
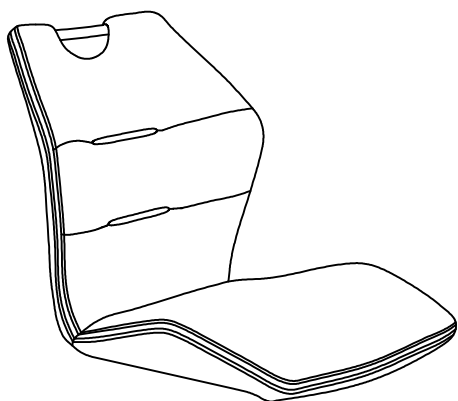


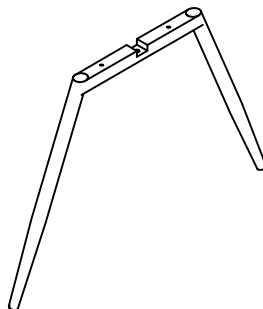
# Ariela



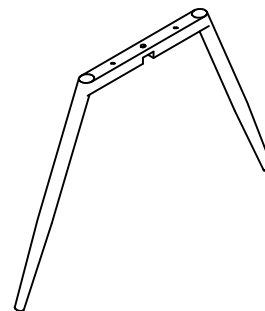
1



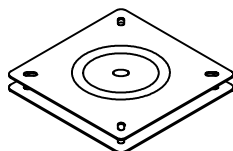
2



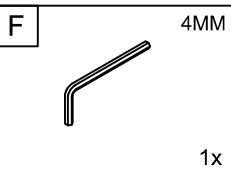
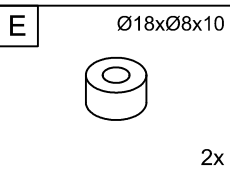
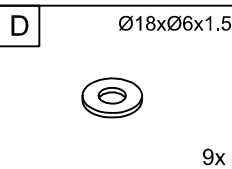
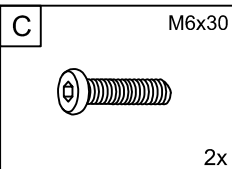
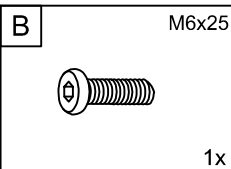
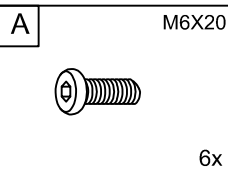
3



4

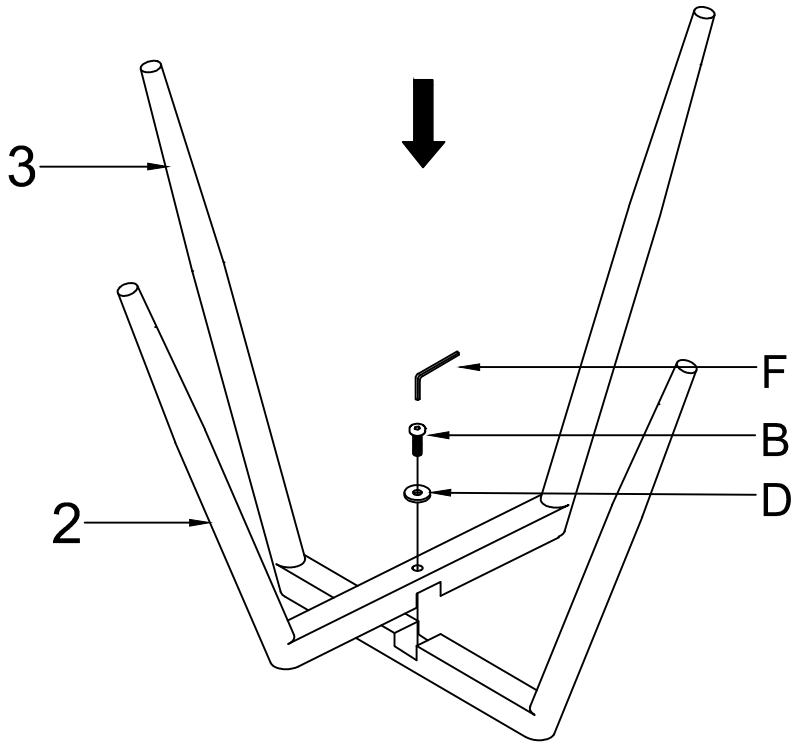


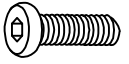

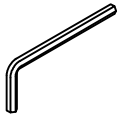

1	1 x
2	1 x
3	1 x
4	1 x



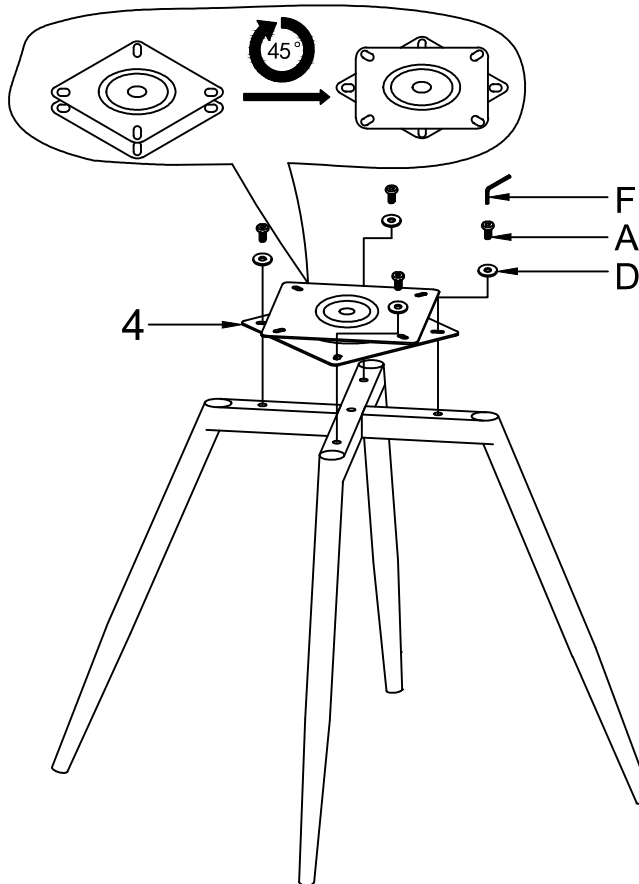
I.

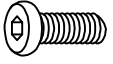



1



B	M6x25
	1x
D	Ø18xØ6x1.5
	1x
F	4MM
	1x
	

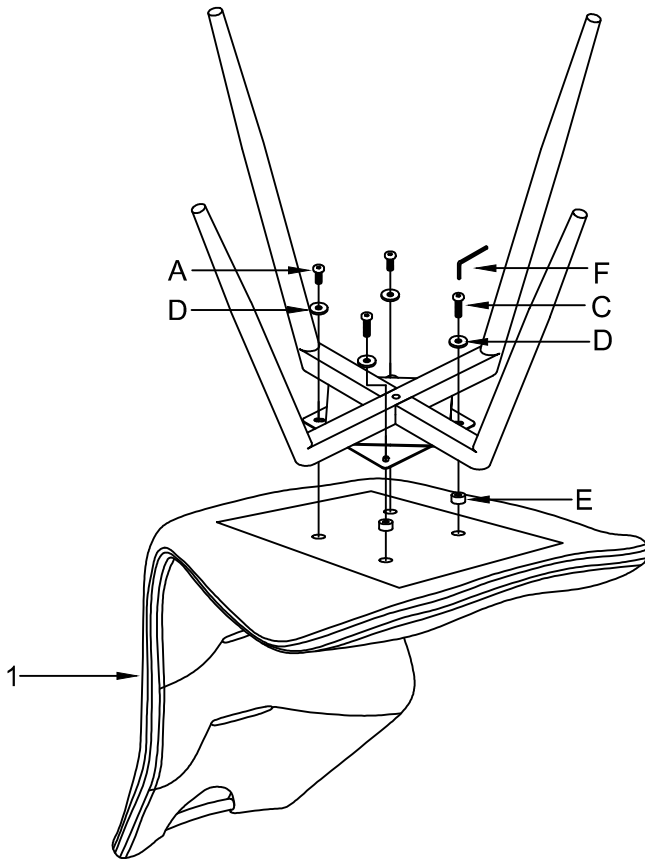
2

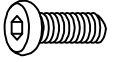







A	M6X20
	4x
D	Ø18xØ6x1.5
	4x
F	4MM
	1x
	

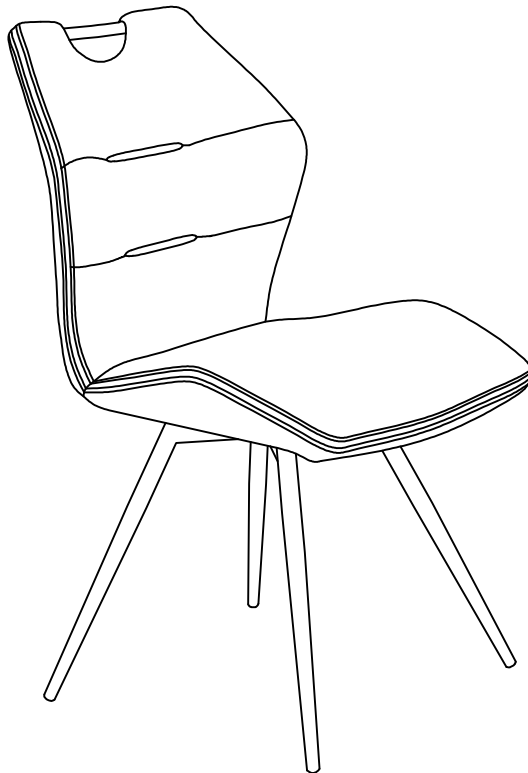
II.


3



A	M6X20		2x
C	M6X30		2x
D	Ø18xØ6x1.5		4x
E	Ø18xØ8x10		2x
F	4MM		1x
			

4



F	4MM		1x
