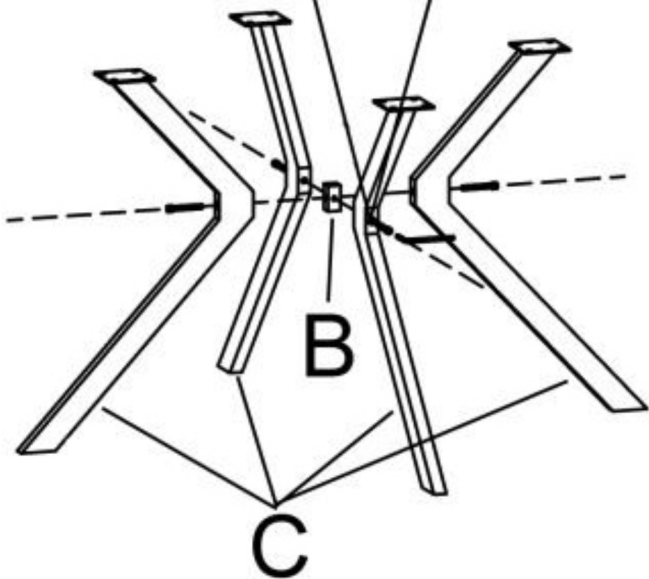
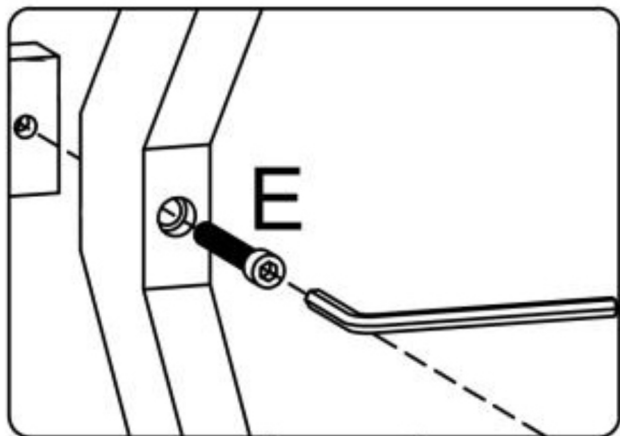
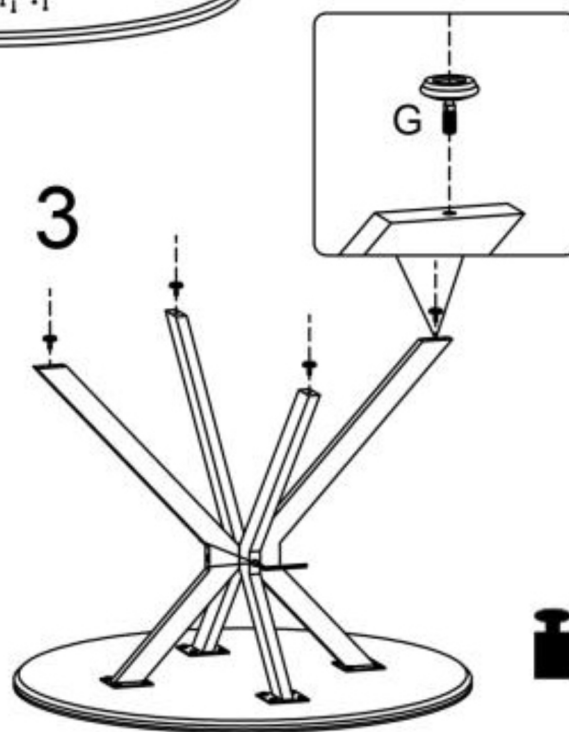
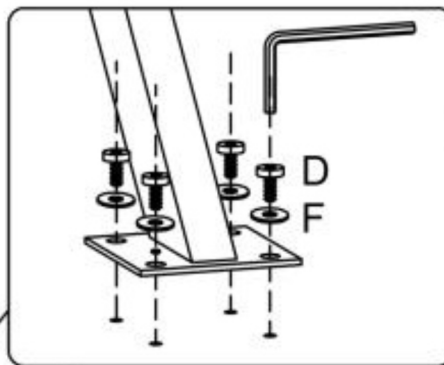
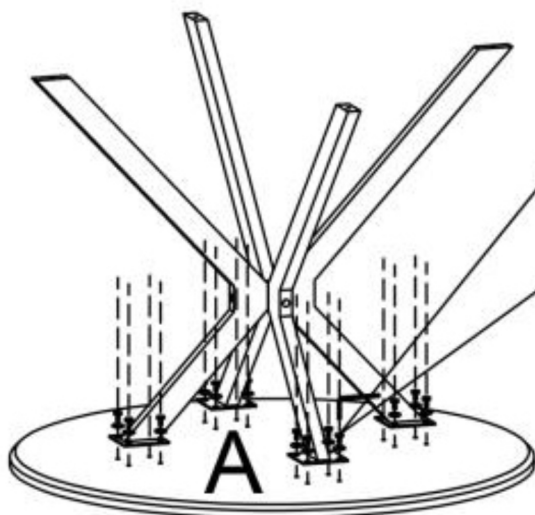









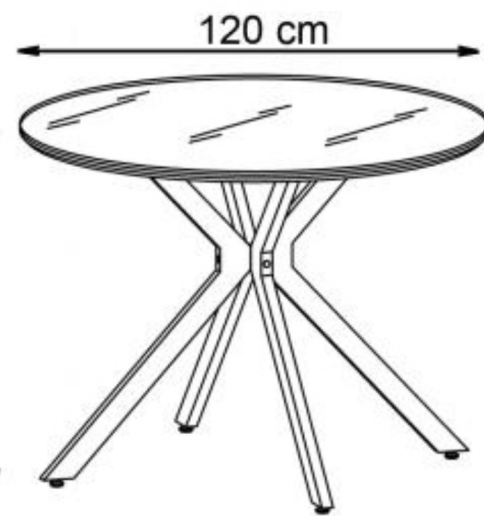
1




2



| | | |
|---|--|----|
| A |  | 1 |
| B |  | 1 |
| C |  | 4 |
| D |  M6*16 | 16 |
| E |  M8*65 | 4 |
| F |  Ø6*16 | 16 |
| G |  | 4 |



 max. 40 kg

