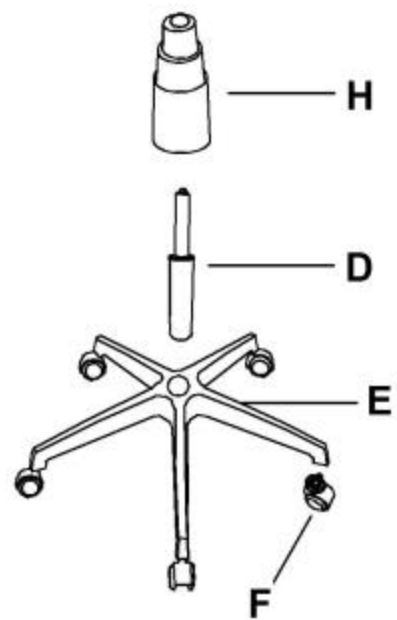
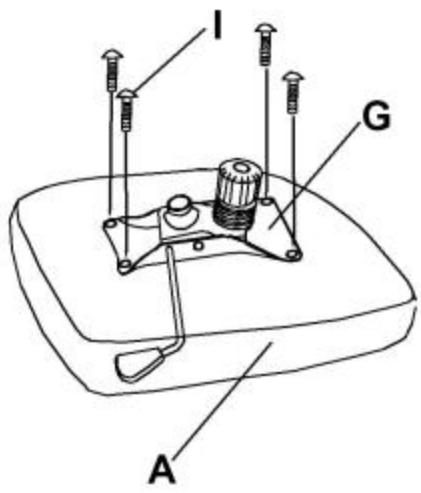


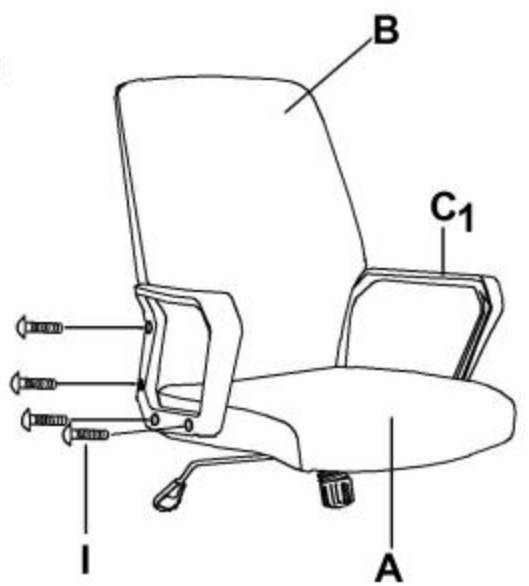
1



2



3



4



max. 100 kg

A		1
B		1
C		1+1
D		1
E		1
F		5
G		1
H		1
I		12

