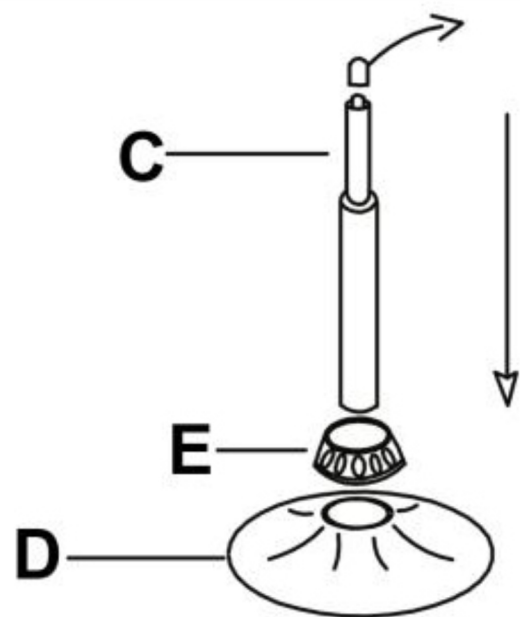
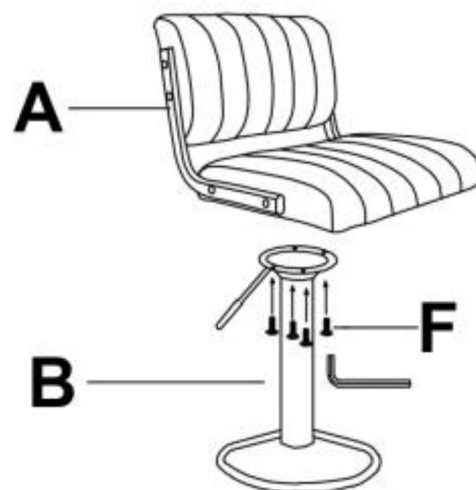


1



2



| | | |
|---|--|---|
| A | | 1 |
| B | | 1 |
| C | | 1 |
| D | | 1 |
| E | | 1 |
| F | | 4 |

max. 120 kg

3



4

