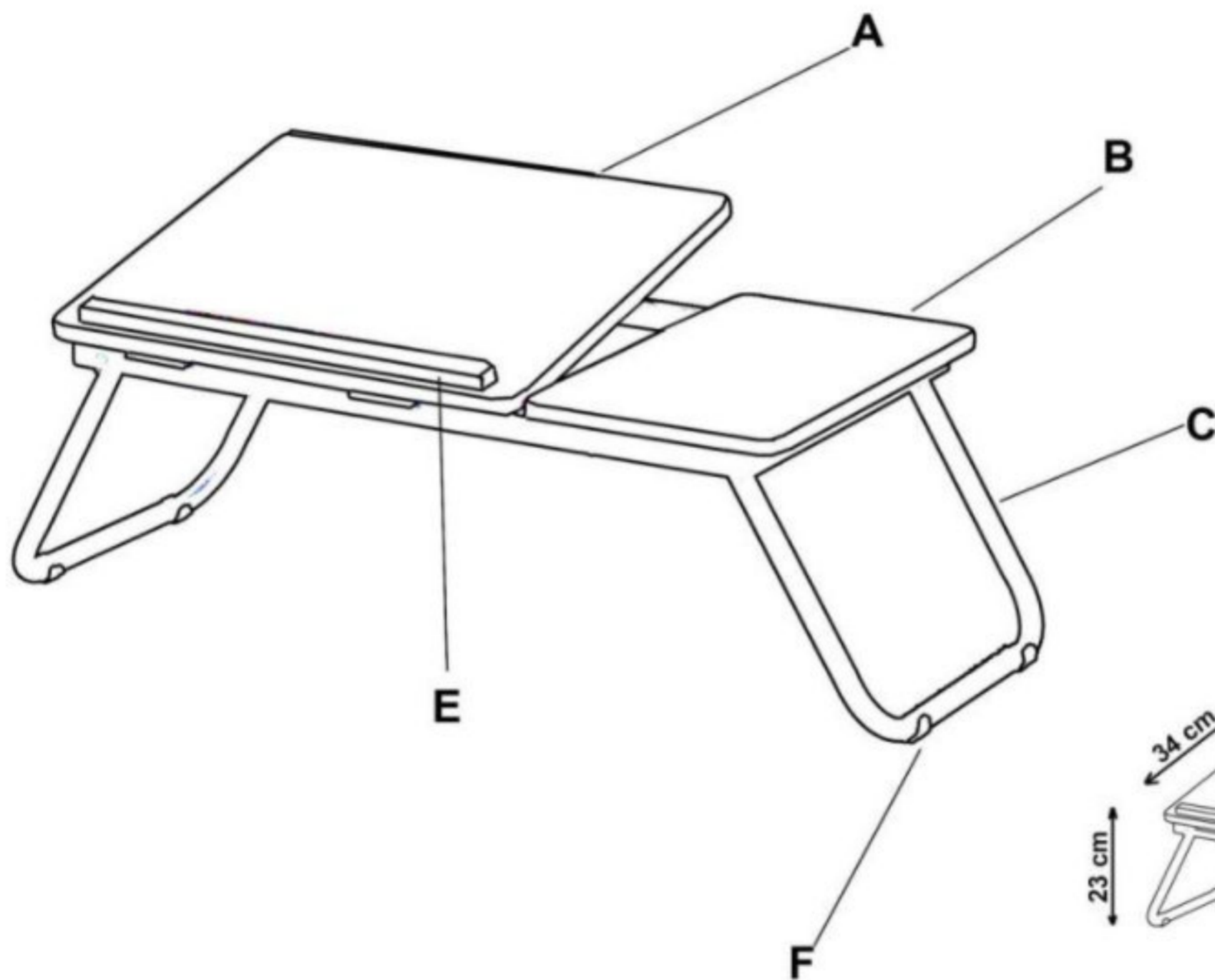







B-19

1



A		1
B		1
C		1
D		1
E		1

