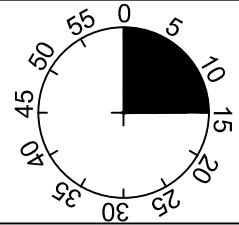
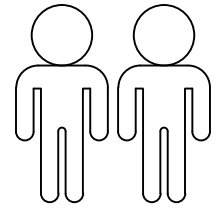
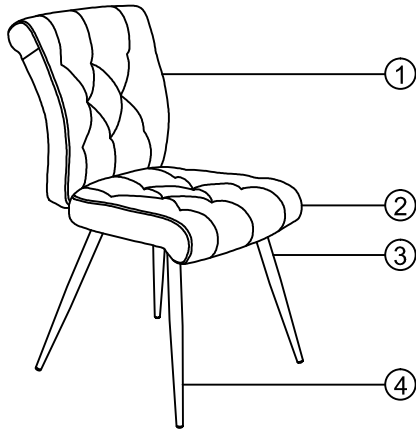
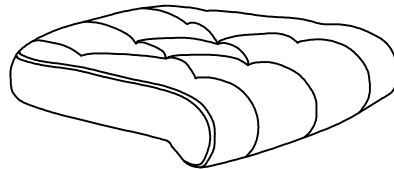
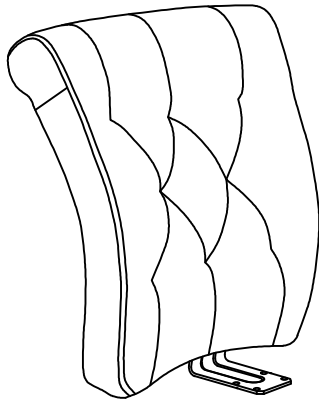


# Yara



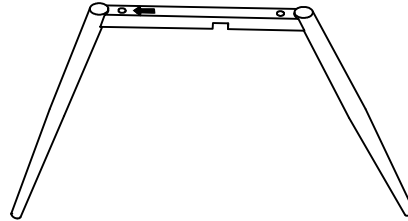
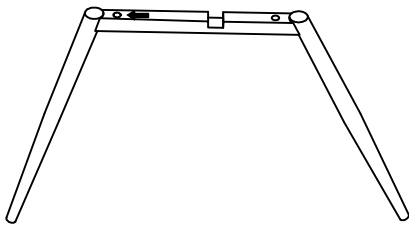
1

2



3


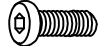





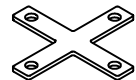
4



R

L

1	1 x
2	1 x
3	1 x
4	1 x

A	M6x55	B	M6x20	C	M6x13	D	M6	E	Ø18xØ6x1.5	F	4MM
	4x		4x		4x		4x		8x		1x
G	Ø17xØ6.5x4	H	T3.0x95x95								
	4x		1x								

**I.**

**1**

Diagram 1 shows the assembly of the chair seat base. A perspective view shows the seat (2) being attached to the frame (1). A circular inset shows a close-up of the seat base with four screws (B) and washers (D, E) being inserted. A bent metal pin (F) is also shown. A 75% torque icon is present.

<b>B</b>	M6x20
	4x
<b>D</b>	M6
	4x
<b>E</b>	Ø18xØ6x1.5
	4x
<b>F</b>	4MM
	1x
	75%

**2**

Diagram 2 shows the assembly of the chair backrest. A perspective view shows the backrest (L) being attached to the seat base. A circular inset shows a close-up of the backrest attachment with screws (A), washers (E), and a bent metal pin (F). A bent metal pin (G) is also shown. A 75% torque icon is present.

<b>A</b>	M6x55
	2x
<b>E</b>	Ø18xØ6x1.5
	2x
<b>F</b>	4MM
	1x
<b>G</b>	Ø17xØ6.5x4
	2x
	75%

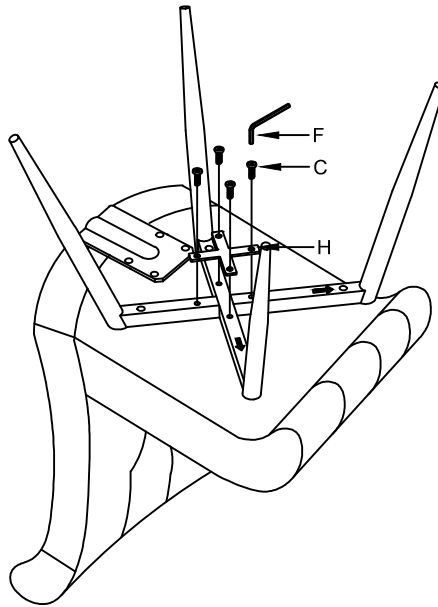
**3**

Diagram 3 shows the assembly of the chair backrest. A perspective view shows the backrest (R) being attached to the seat base. A circular inset shows a close-up of the backrest attachment with screws (A), washers (E), and a bent metal pin (F). A bent metal pin (G) is also shown. A 75% torque icon is present.

<b>A</b>	M6x55
	2x
<b>E</b>	Ø18xØ6x1.5
	2x
<b>F</b>	4MM
	1x
<b>G</b>	Ø17xØ6.5x4
	2x
	75%

II.

4



C M6x13



4x

F 4MM



1x

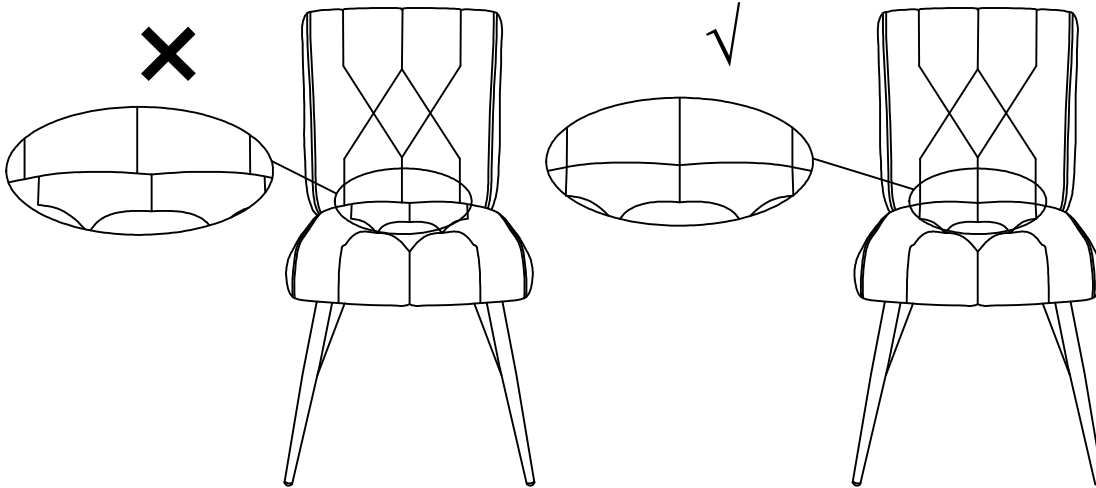
H T3.0x95x95



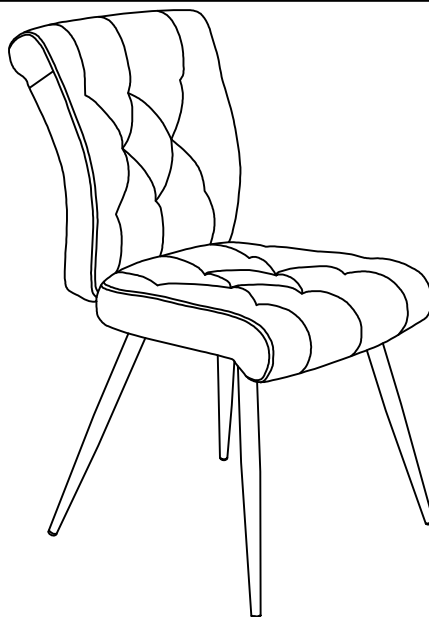
1x



5



6



F 4MM



1x

