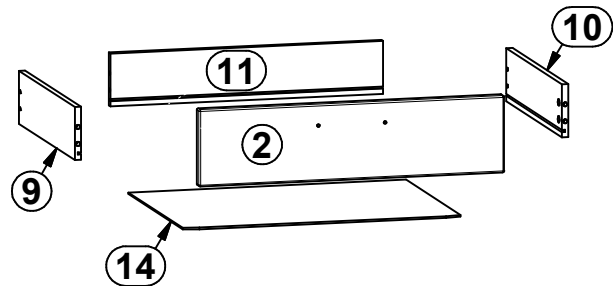
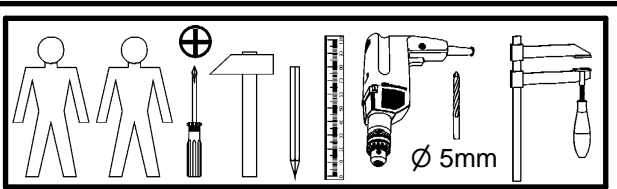
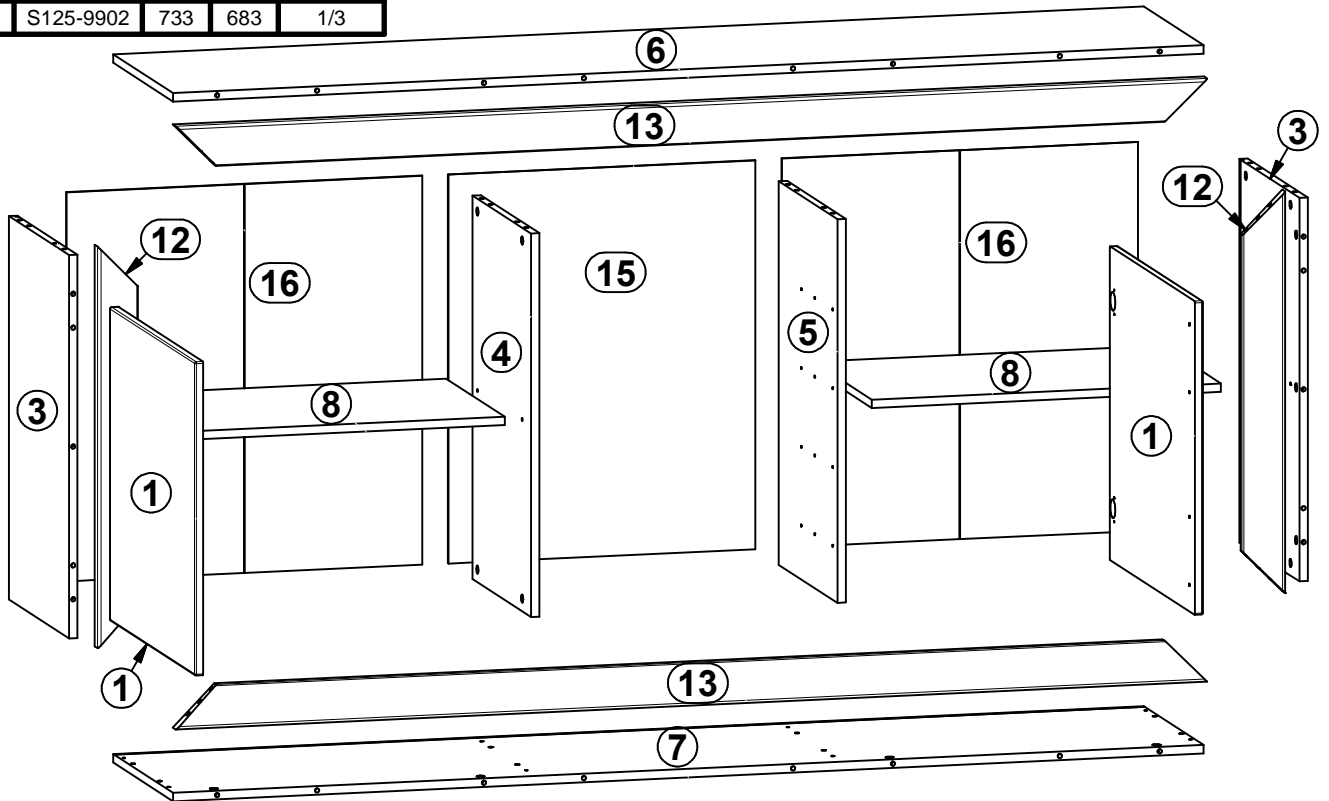
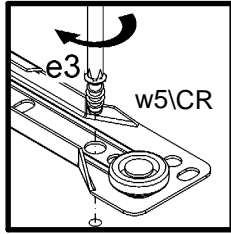
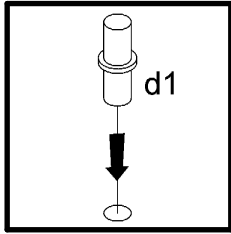
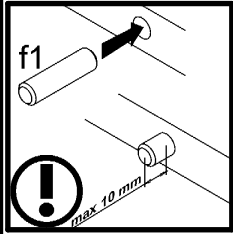
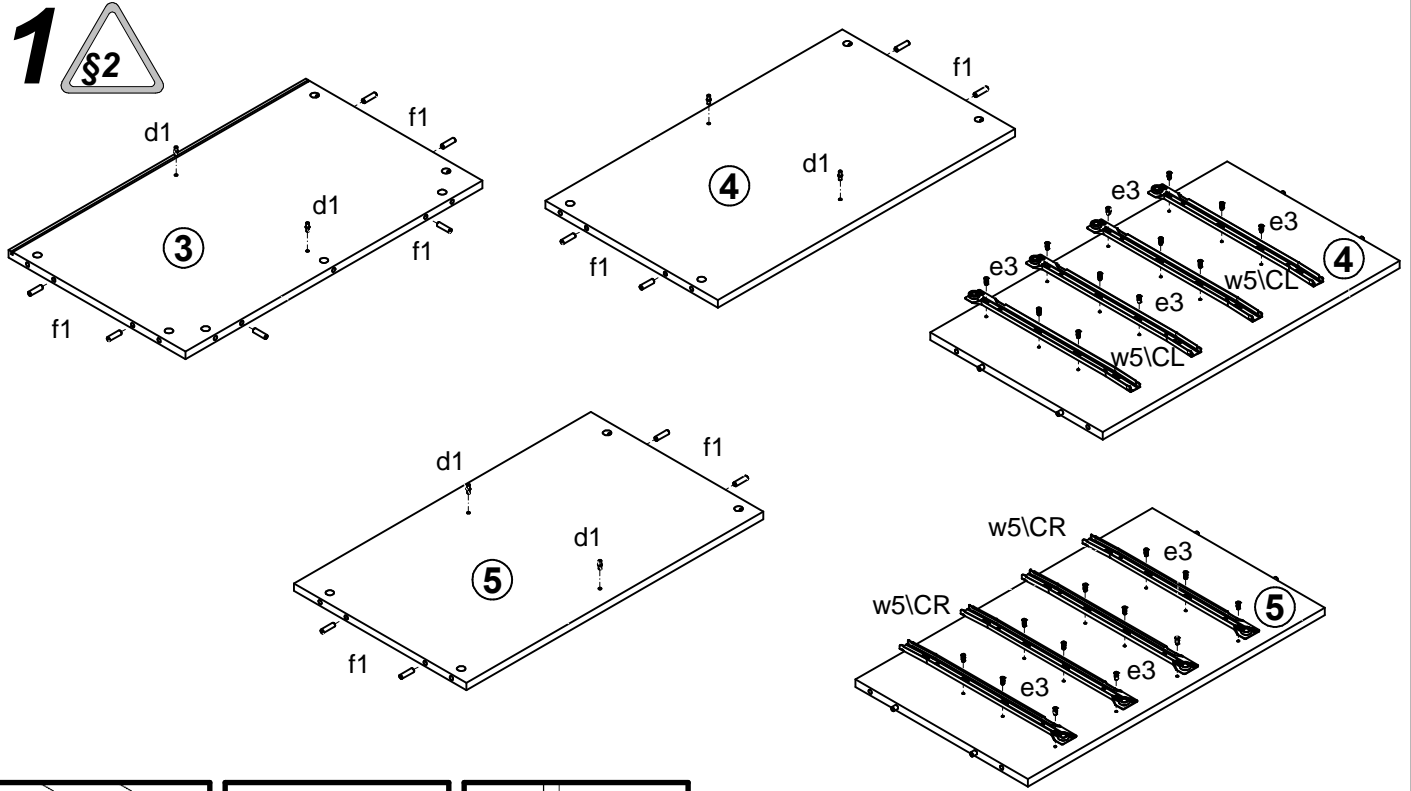


A	B	C	D
1	S125-029	591	610
2	S125-030	586	145
3	S125-103	723	430
4	S125-104	723	420
5	S125-105	723	420
6	S125-203	1978	430
7	S125-204	1978	430
8	S125-303	670	420
9	S125-501	400	100
10	S125-502	400	100
11	S125-503	523	100
12	S125-571	757	80
13	S125-572	1979	80
14	S125-901	533	398
15	S125-902	733	589
16	S125-9902	733	683

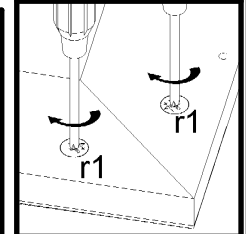
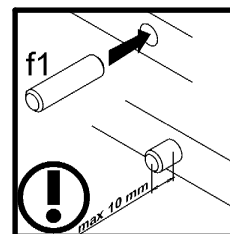
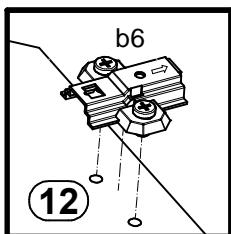
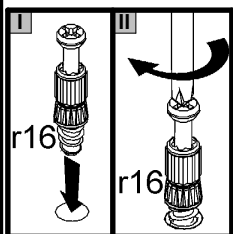
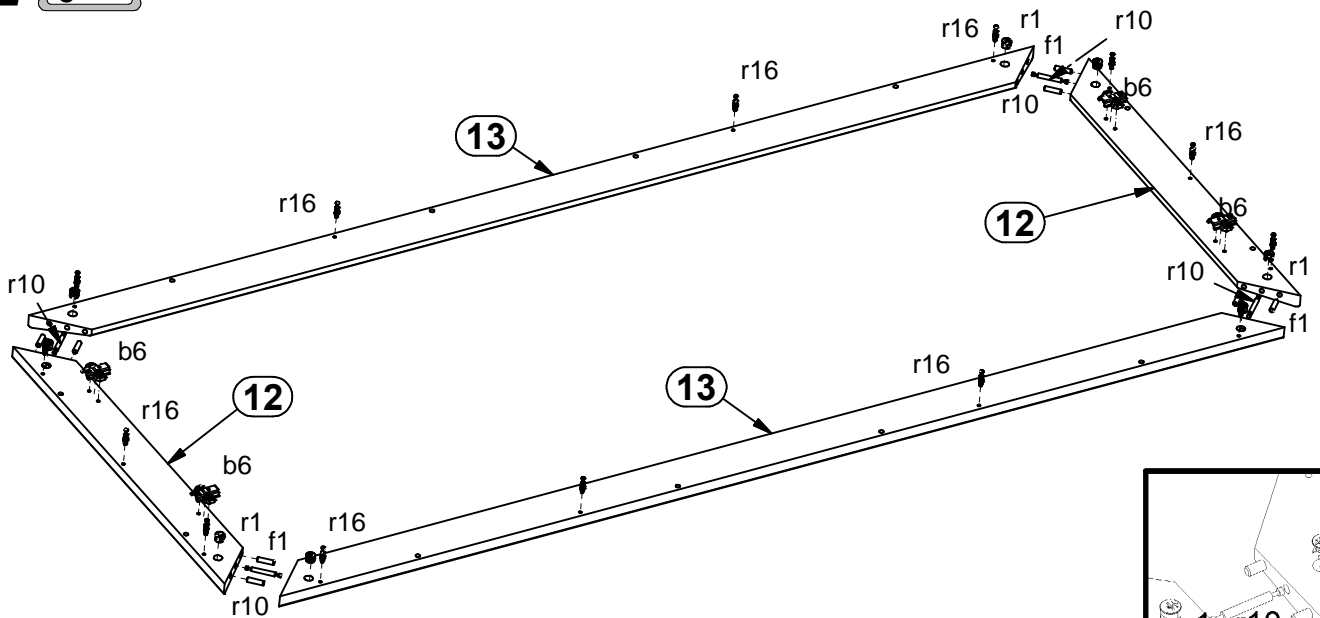


4x a56	4x b6	6x c347	8x d1 φ5x17 mm	24x e3 φ6x13 mm	36x f1 φ8x30 mm	16x f25 φ6.5x40 mm	12x j30 M4x22 mm	2x k54 151x81x25 mm
4x k55	35x l1	10x o21 silikon	6x p21 φ4x30 mm	8x p25 φ3.5x16 mm	8x p51 φ3.5x15 mm	16x p54 φ3x12 mm	8x p6 φ4x35 mm	38x r1 φ1.5x12mm #16
4x r10	16x r15 φ12x10.5mm #12	46x r16	12x s2 ø16	4x t14 383 mm	4x w5\CL 400 mm	4x w5\CR 400 mm	4x w5\DL 400 mm	4x w5\DR 400 mm
1x n26\1	1x p38 φ3.5x16 mm							

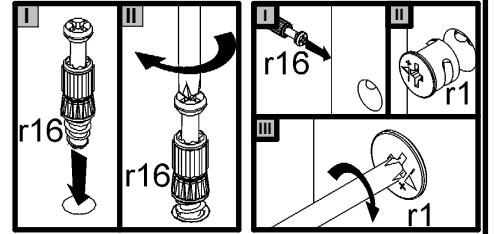
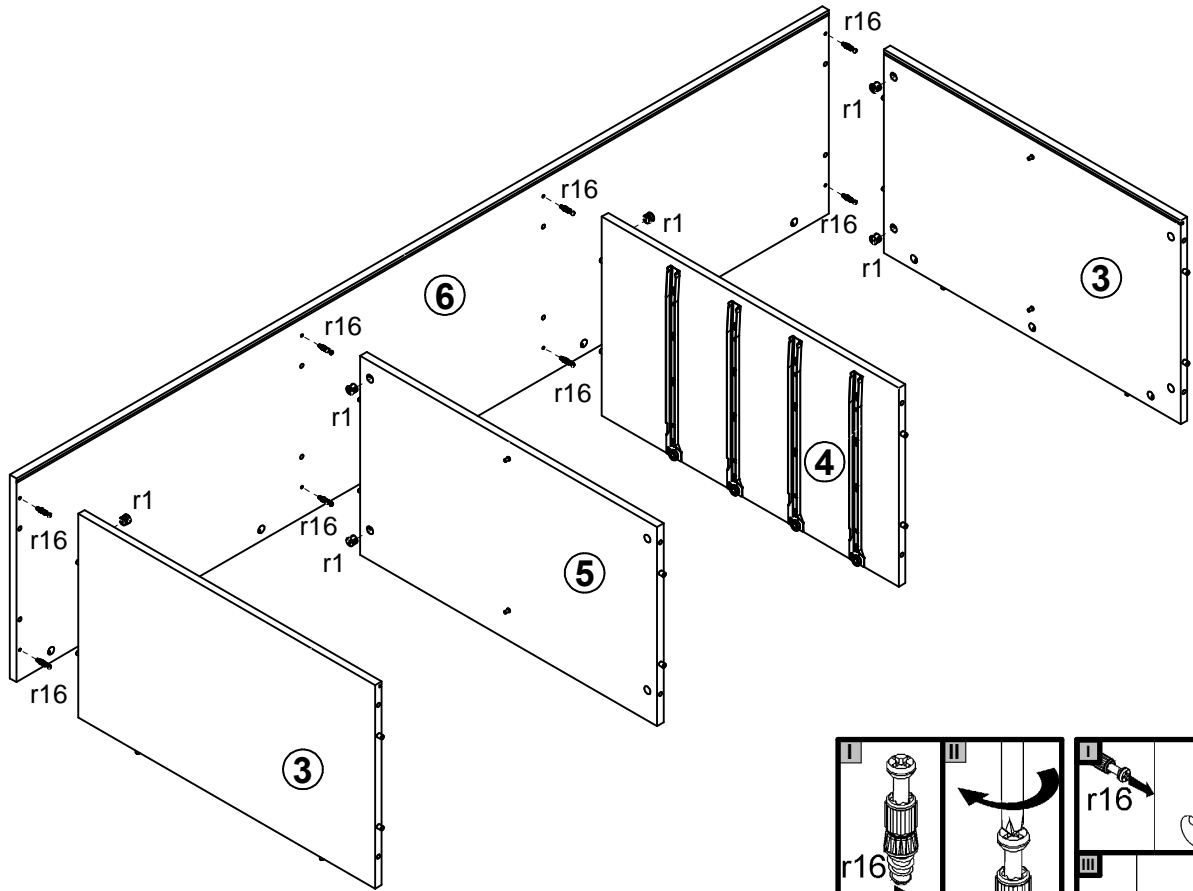
1



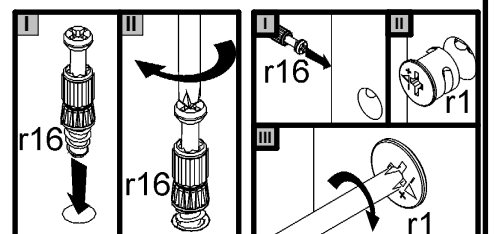
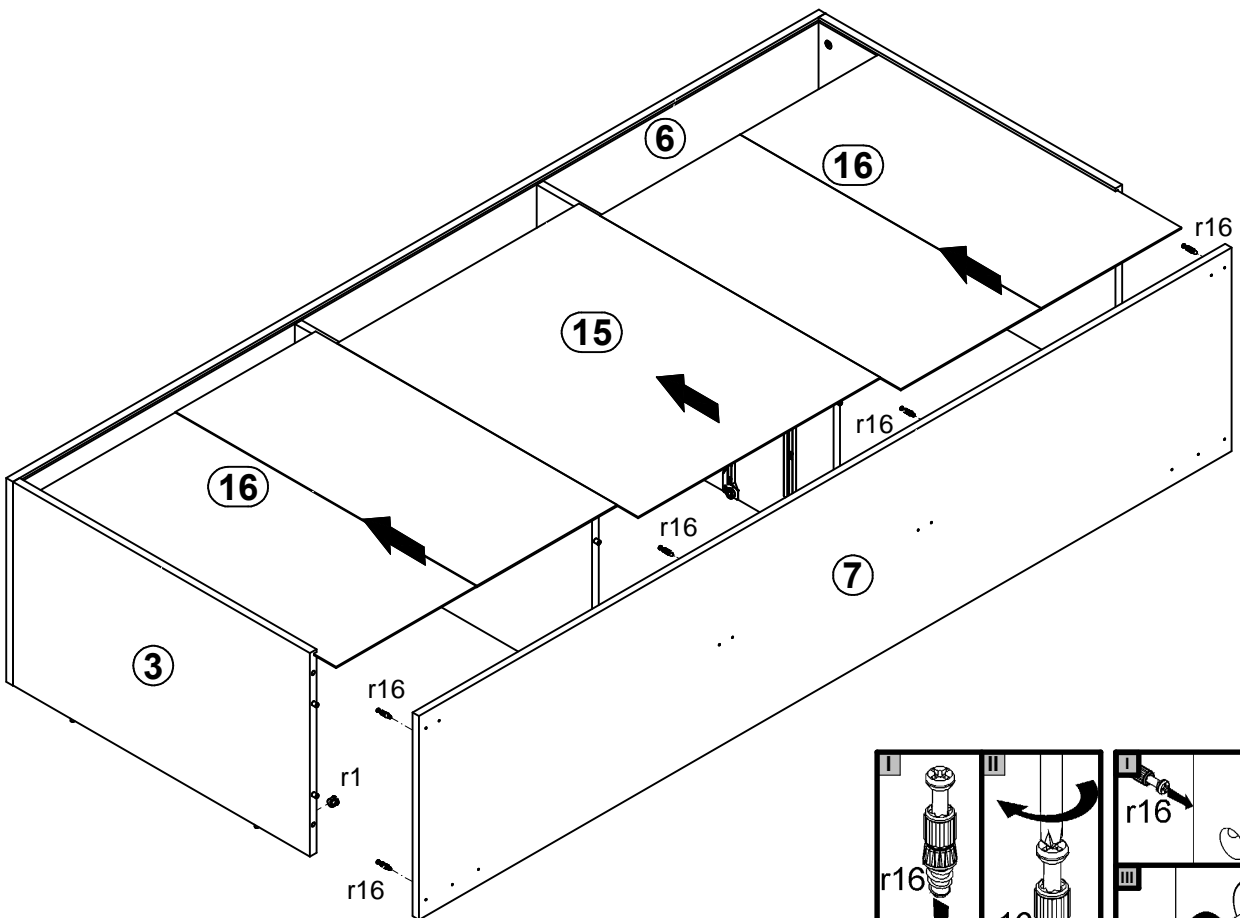
2



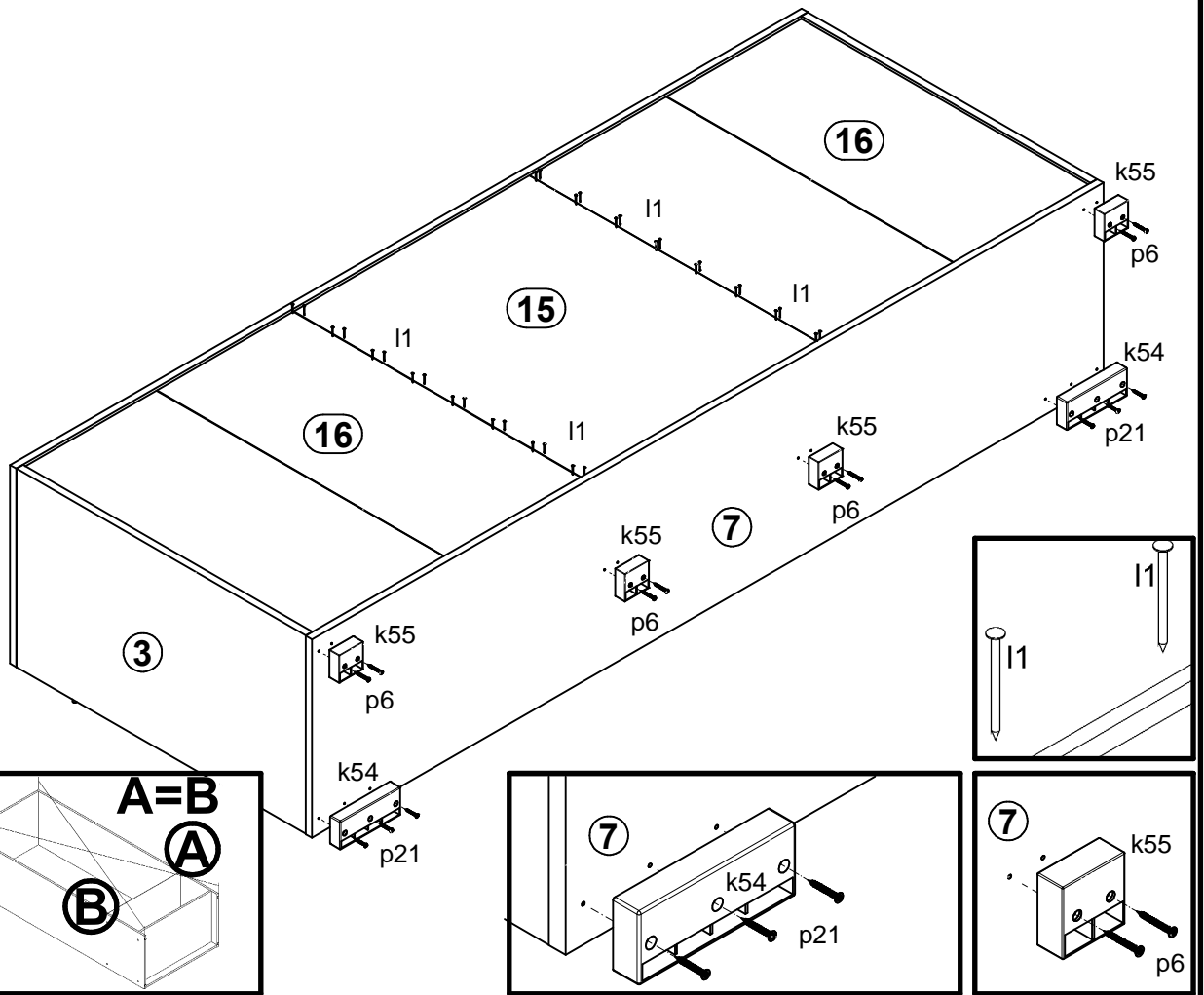
3



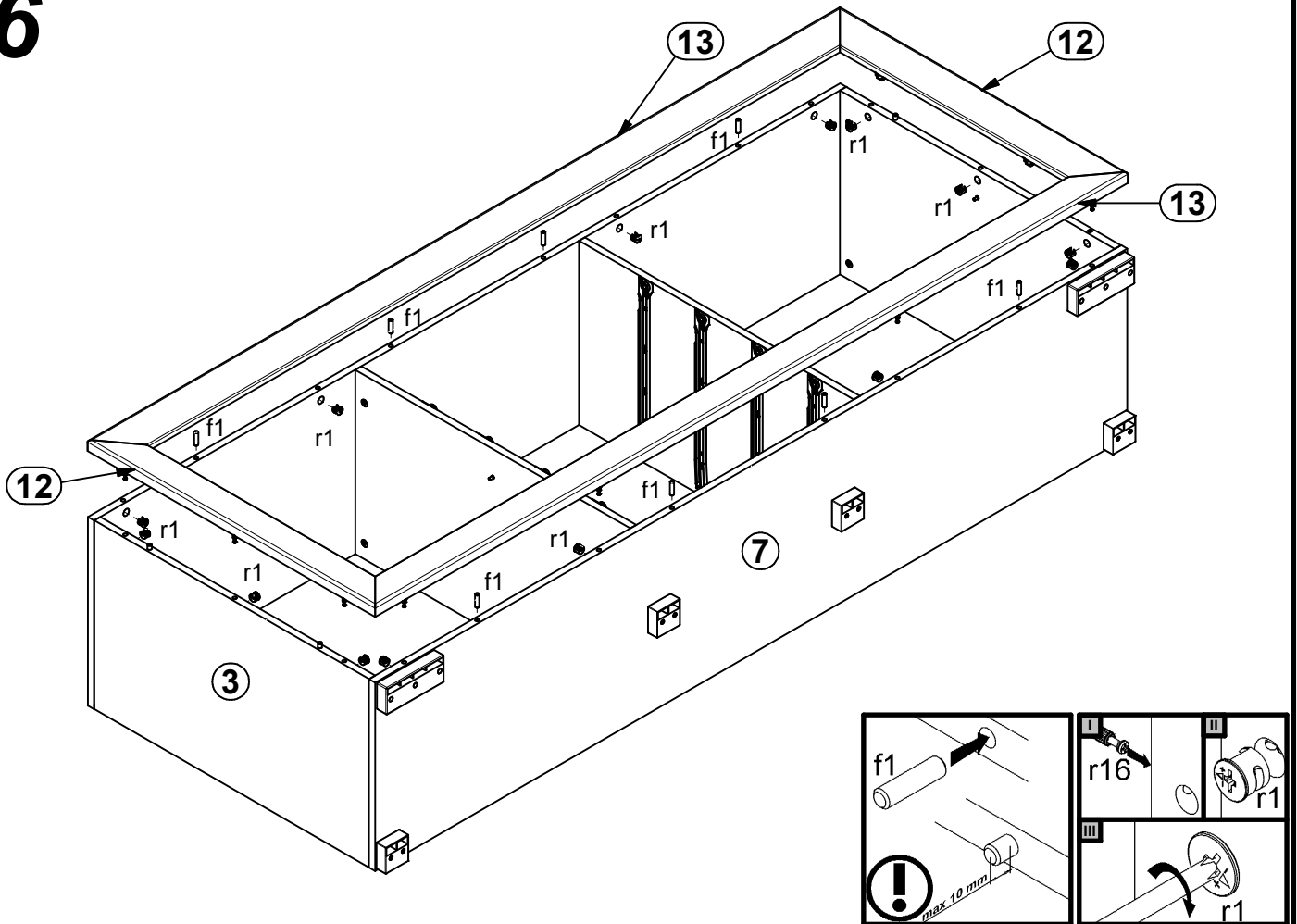
4



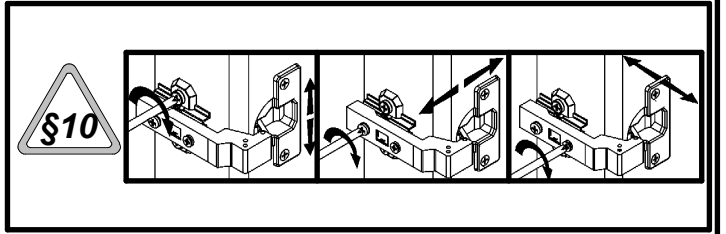
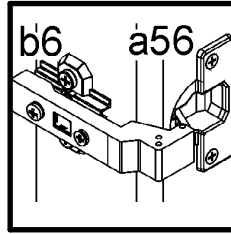
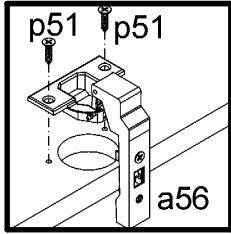
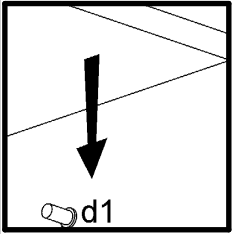
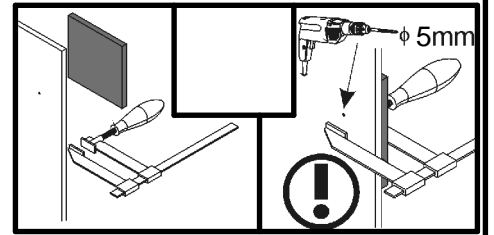
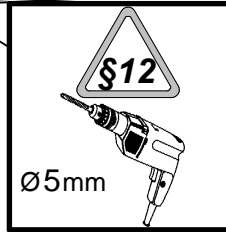
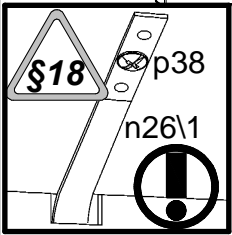
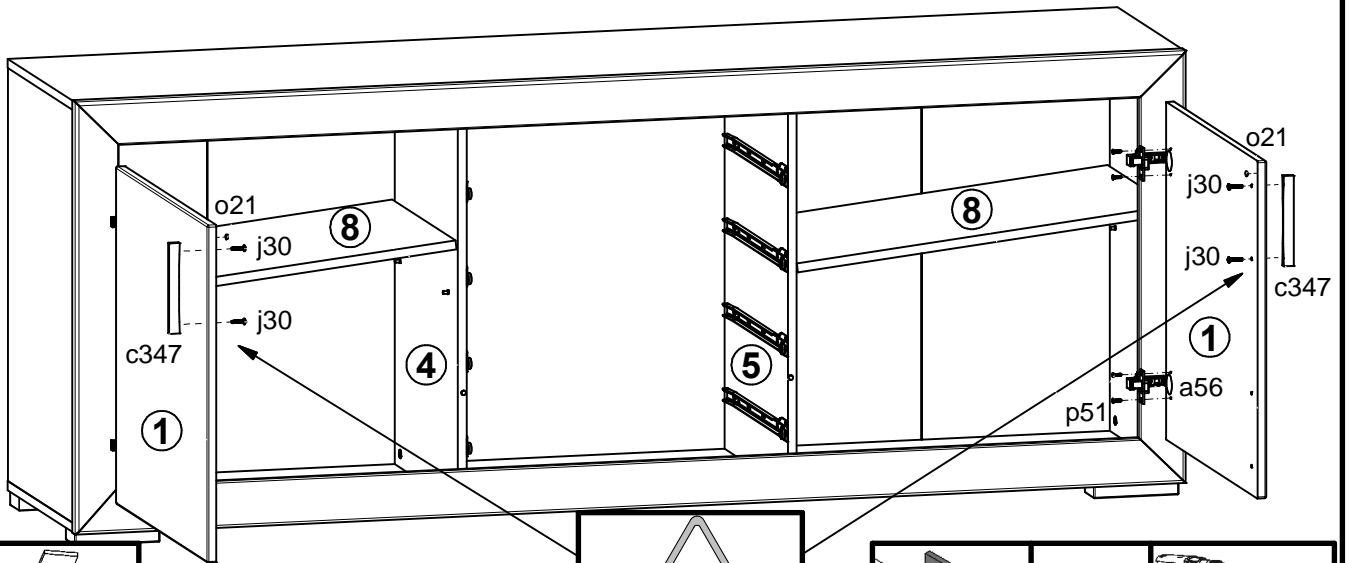
5



6



7



8

