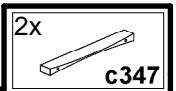
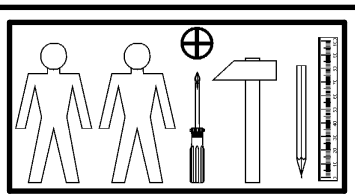
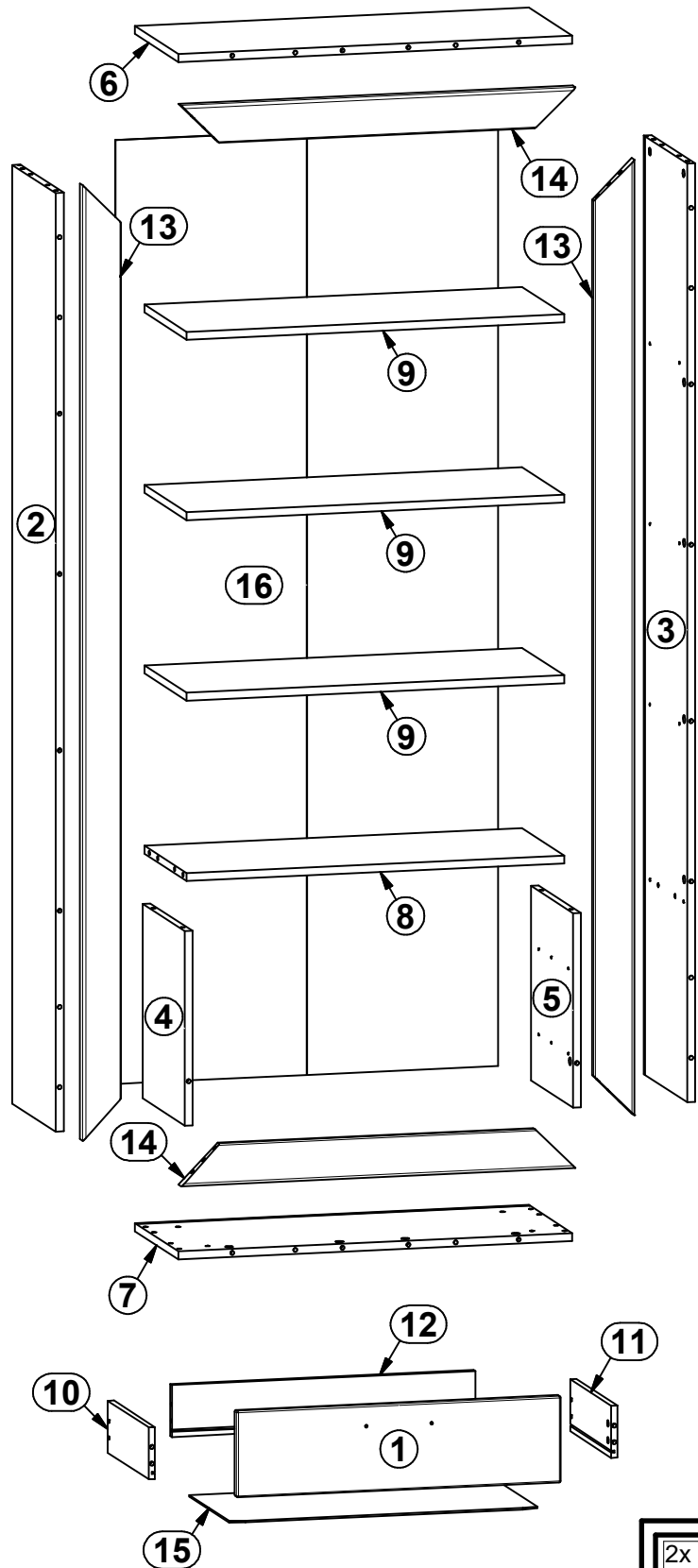
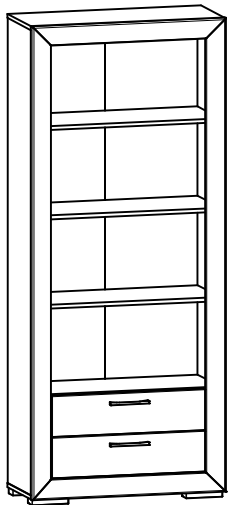
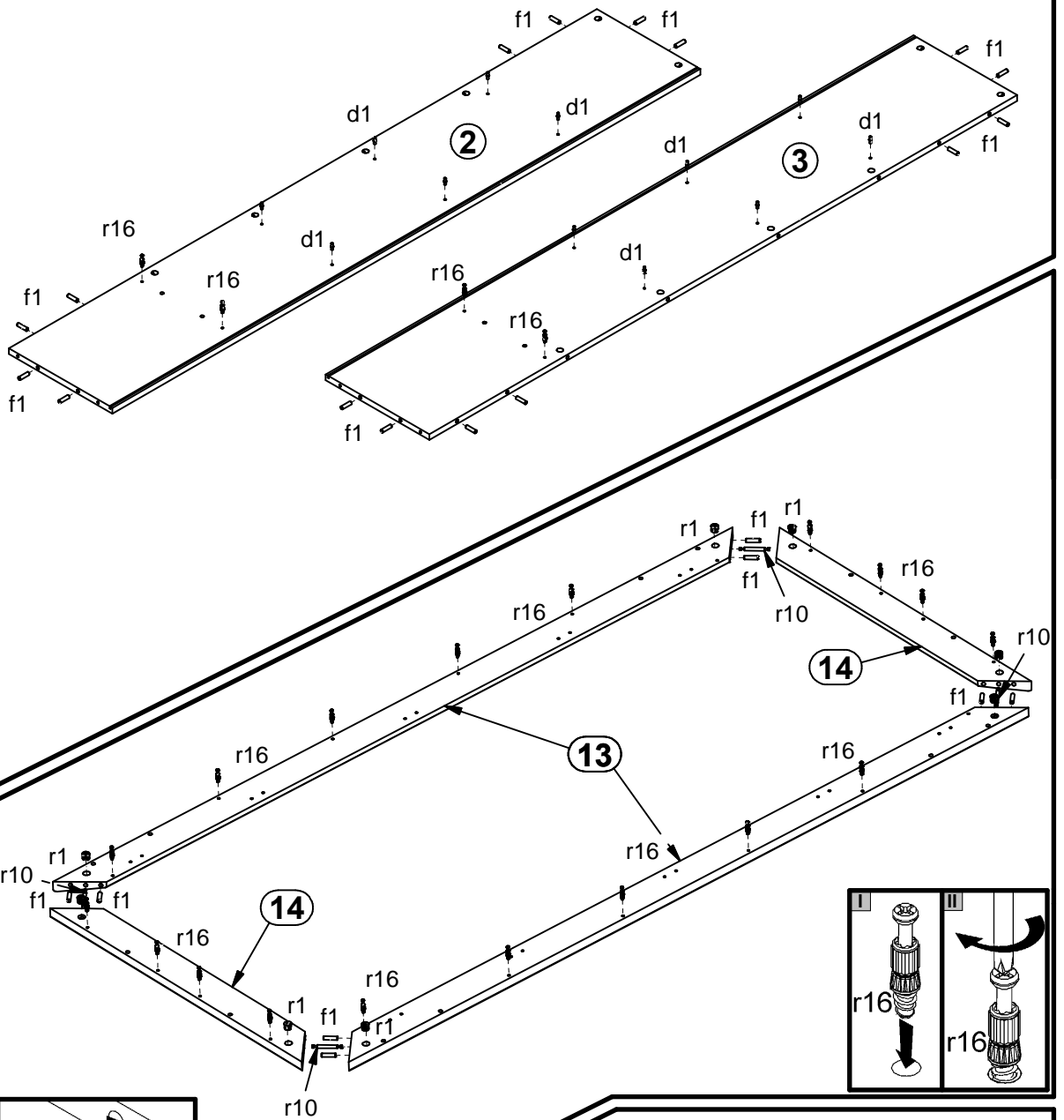
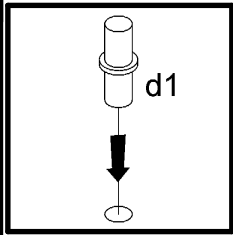
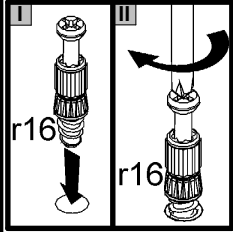
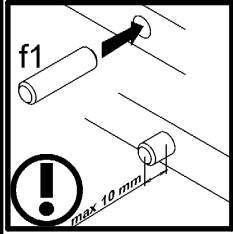


A	B	C	D	
1	S125-039	635	166	1/3
2	S125-127	1873	330	2/3
3	S125-128	1873	330	2/3
4	S125-129	388	320	1/3
5	S125-130	388	320	1/3
6	S125-214	800	330	1/3
7	S125-215	800	330	1/3
8	S125-314	767	320	1/3
9	S125-315	767	320	1/3
10	S125-512	300	100	1/3
11	S125-513	300	100	1/3
12	S125-514	594	100	1/3
13	S125-578	1907	80	3/3
14	S125-580	801	80	3/3
15	S125-912	604	298	1/3
16	S125-9904	1883	777	2/3

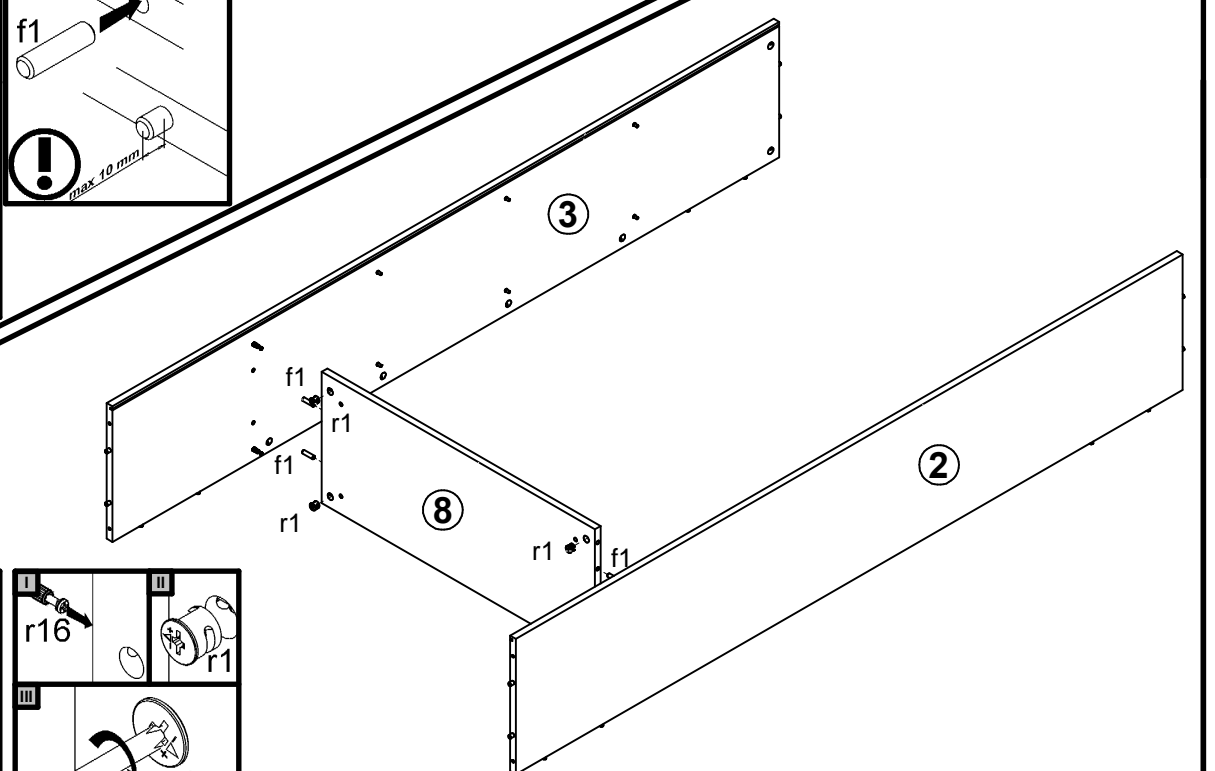
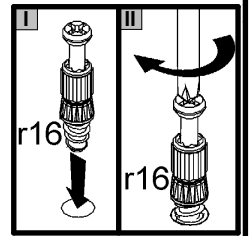
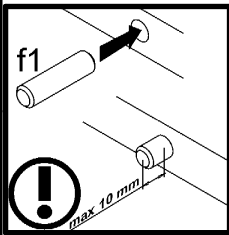
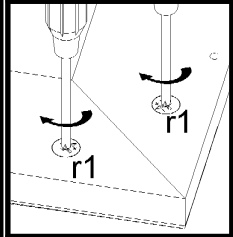
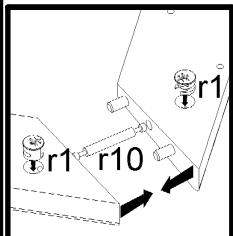


12x $\phi 8 \times 17$ mm d1	4x $\phi 7.5 \times 50$ mm e1	12x $\phi 6 \times 13$ mm e3	40x $\phi 8 \times 30$ mm f1	8x $\phi 6.5 \times 40$ mm f25	4x M4x22 mm j30	2x 151x61x25 mm k54	2x k55	20x l1
6x $\phi 4 \times 30$ mm p21	4x $\phi 3.5 \times 16$ mm p25	8x $\phi 3 \times 12$ mm p54	4x $\phi 4 \times 35$ mm p6	34x $\phi 1.5 \times 12$ mm #16 r1	4x r10	8x $\phi 12 \times 10.5$ mm #12 r15	34x r16	2x 283 mm t18
2x 300 mm w37\CL	2x 300 mm w37\CR	2x 300 mm w37\DL	2x 300 mm w37\DR	16x $\phi 16$ s2	1x z1	1x n26\1	1x $\phi 3.5 \times 16$ mm p38	

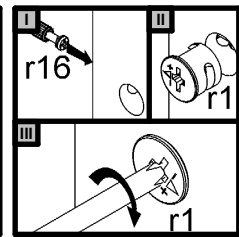
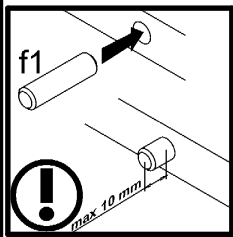
1

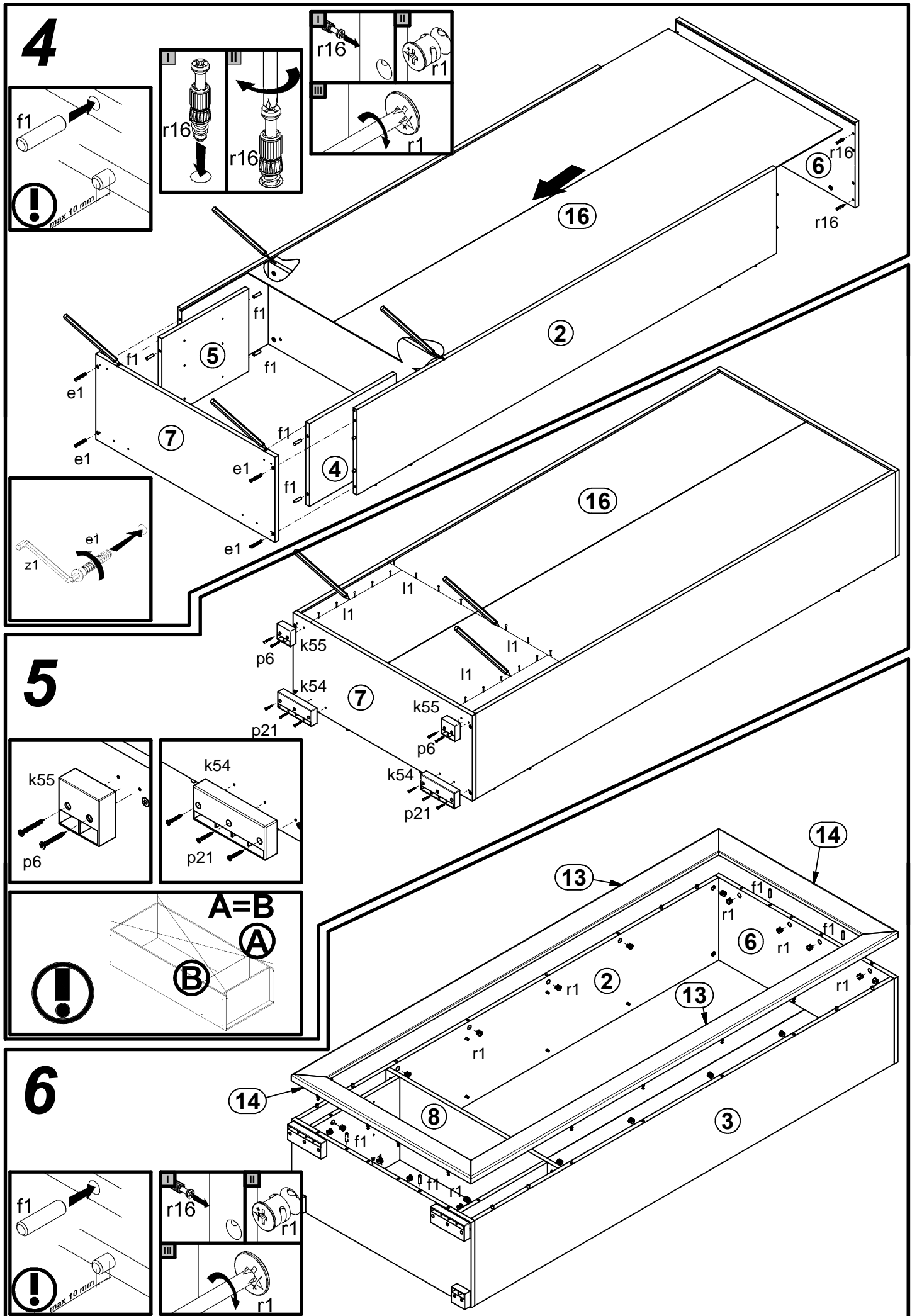


2

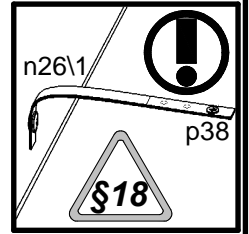
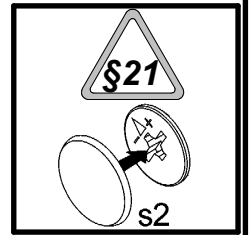
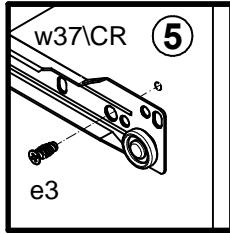
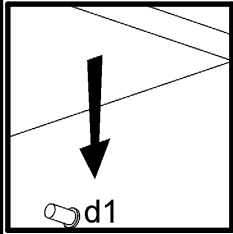
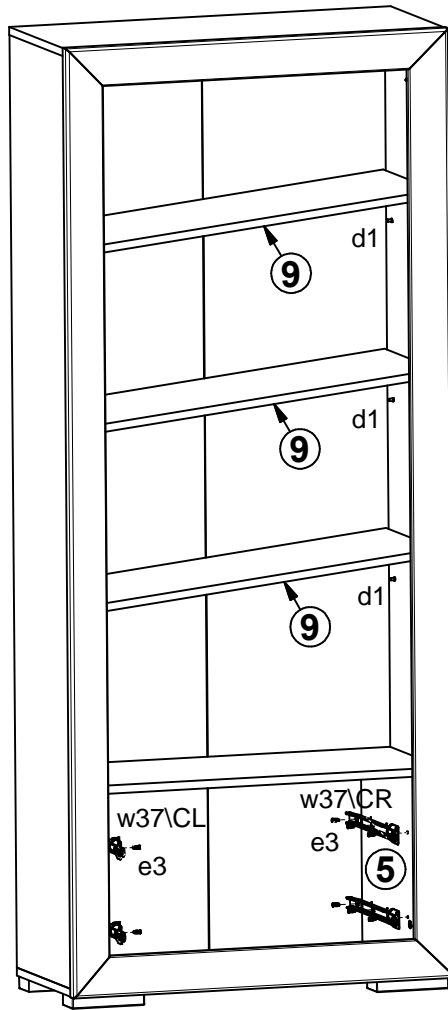


3





7



8

