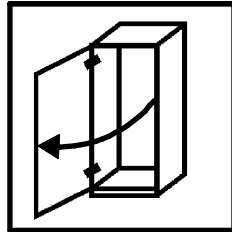
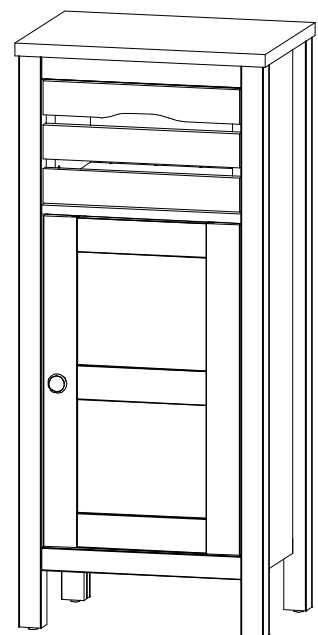
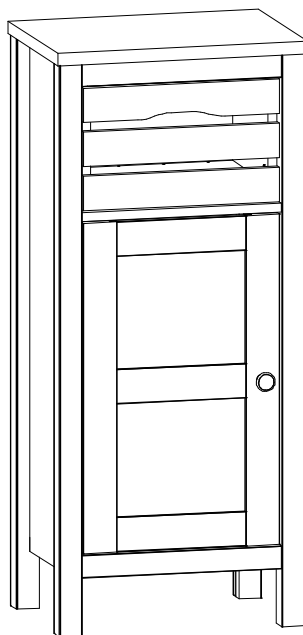
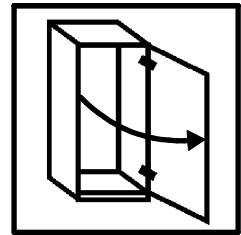
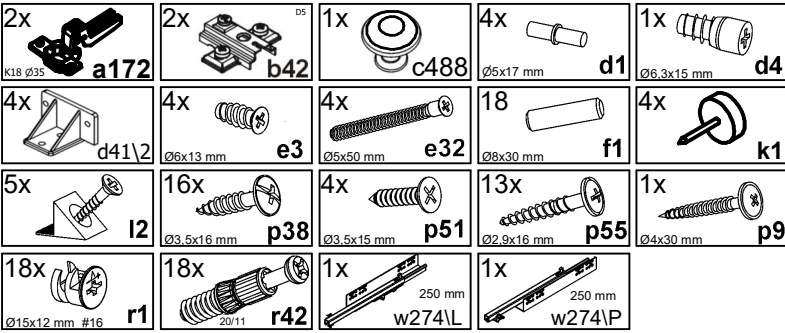


L

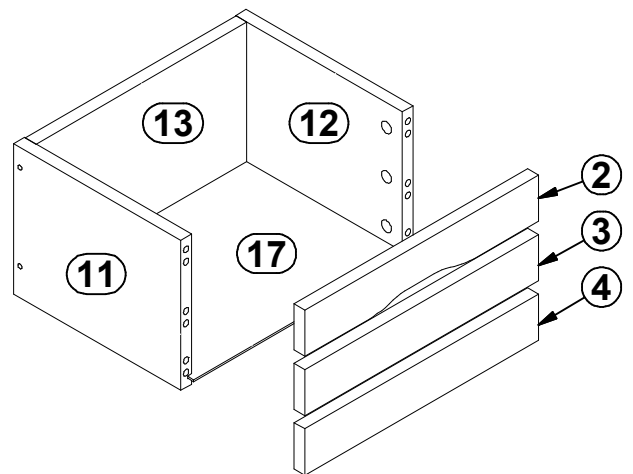
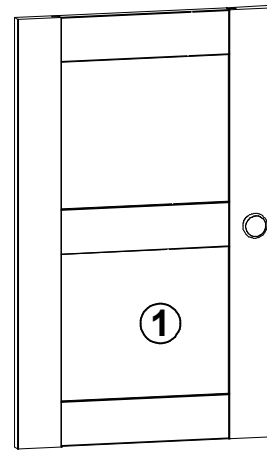
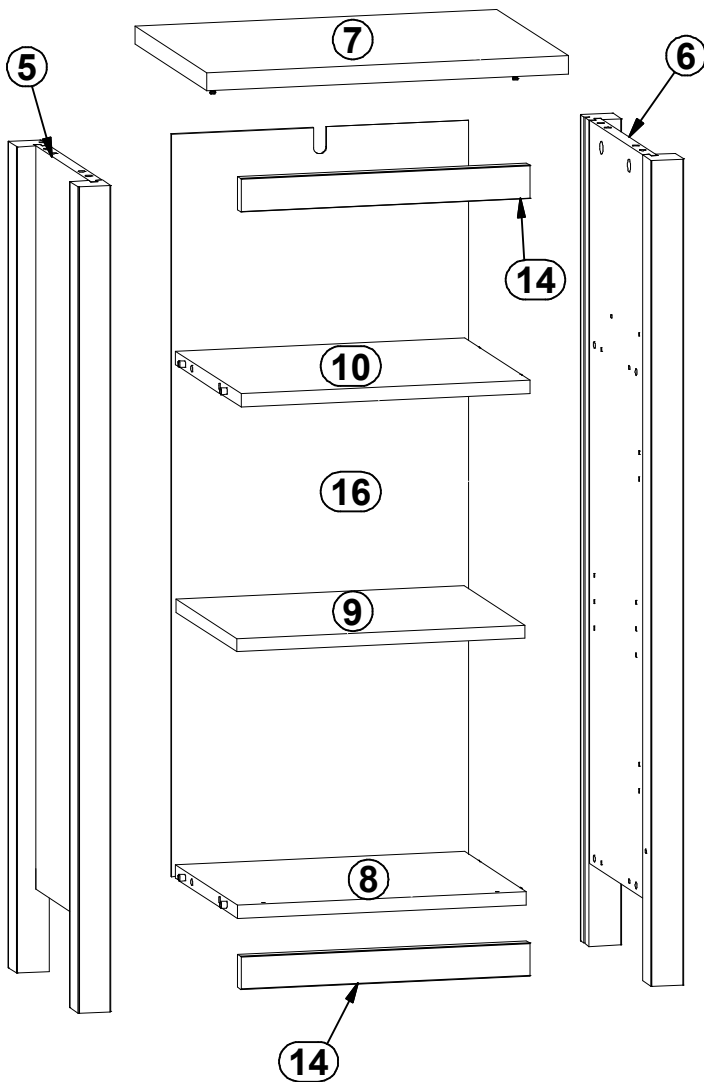
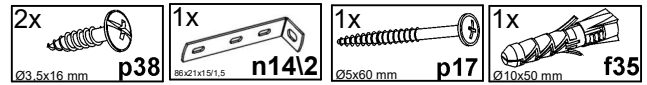


R

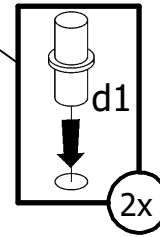
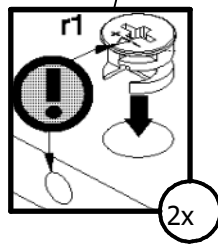
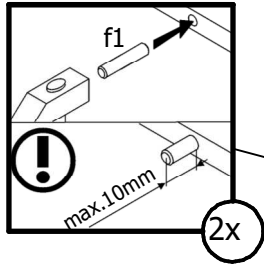
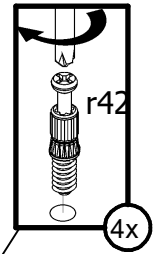
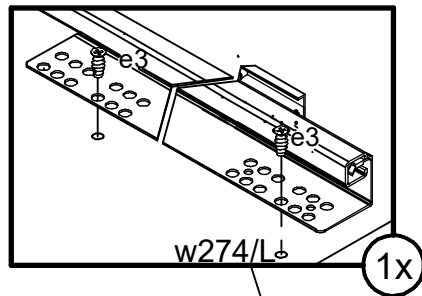




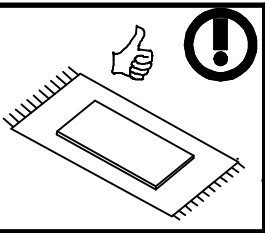
A	B	W	C1	C2	C3	D
1	S562-0001	-3	577	350	16	1/1
2	S562-0002	-1	350	60	16	1/1
3	S562-0003	-1	350	60	16	1/1
4	S562-0004	-2	350	60	16	1/1
5	S562-1001	-3	999	325	40	1/1
6	S562-1002	-3	999	325	40	1/1
7	S562-2001	-1	446	330	22	1/1
8	S562-3001	-1	356	285	16	1/1
9	S562-3002	-1	355	280	16	1/1
10	S562-3003	-1	356	301	16	1/1
11	S562-5301	-3	250	195	16	1/1
12	S562-5302	-3	250	195	16	1/1
13	S562-5701	-2	316	181	16	1/1
14	S562-5005	-3	356	40	16	1/1
16	S562-9001	-1	898	366	2,5	1/1
17	WSP-9489	-	326	258	2,5	1/1



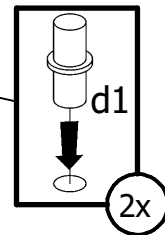
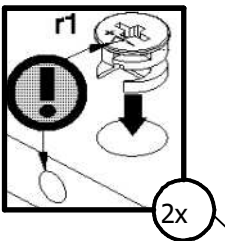
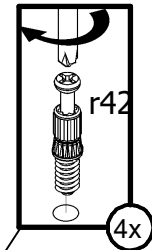
1



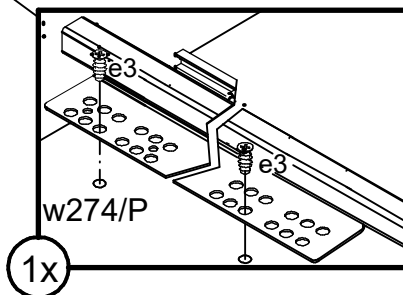
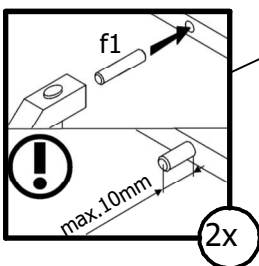
5



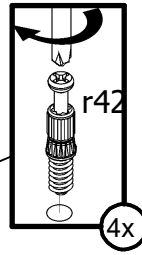
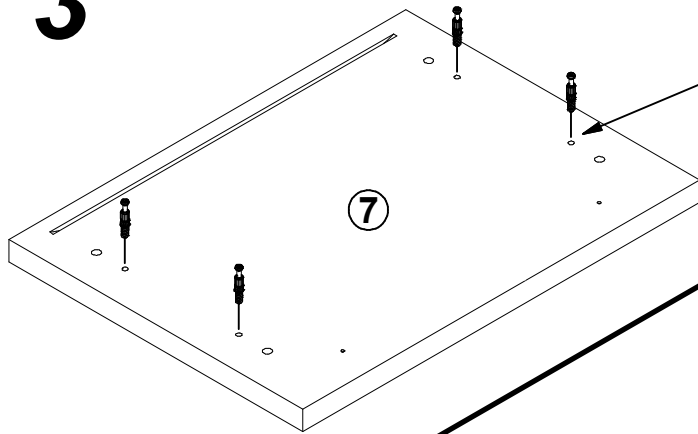
2



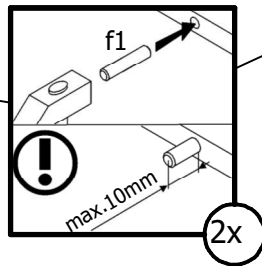
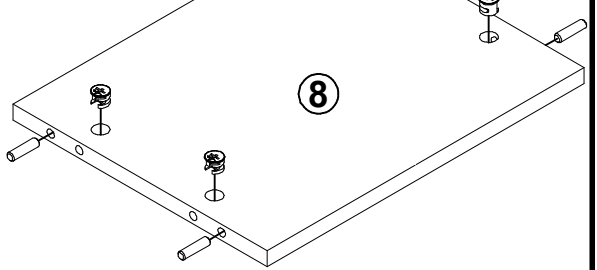
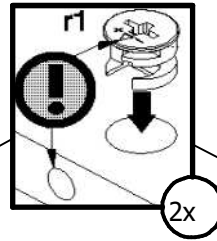
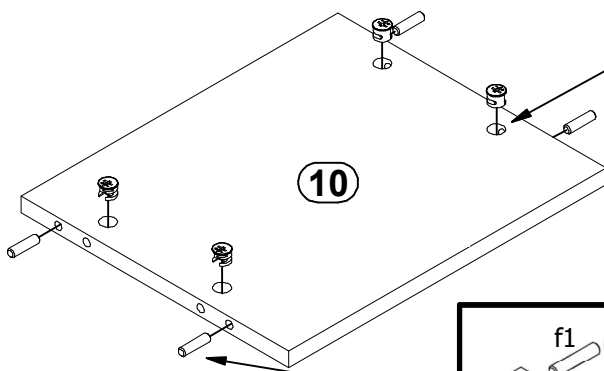
6



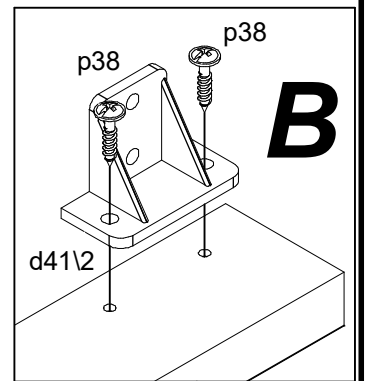
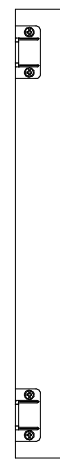
3



4

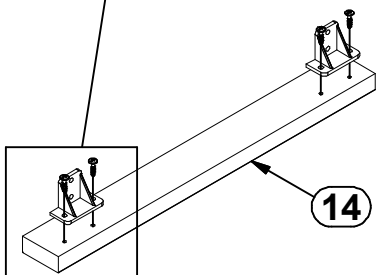
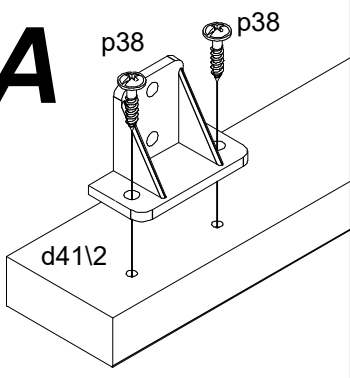


5

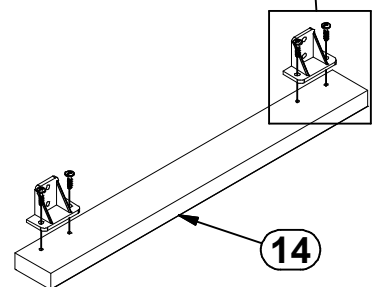


B

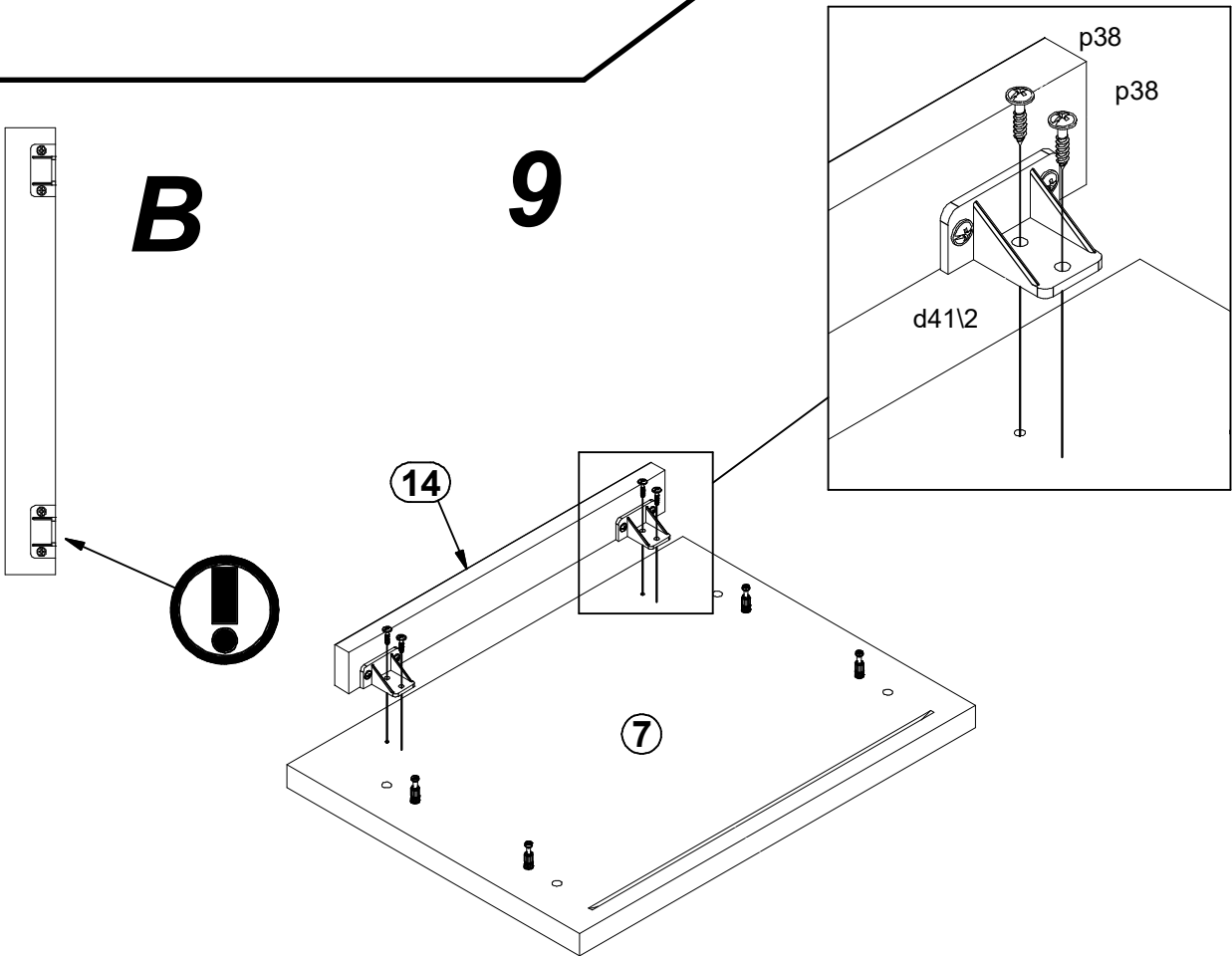
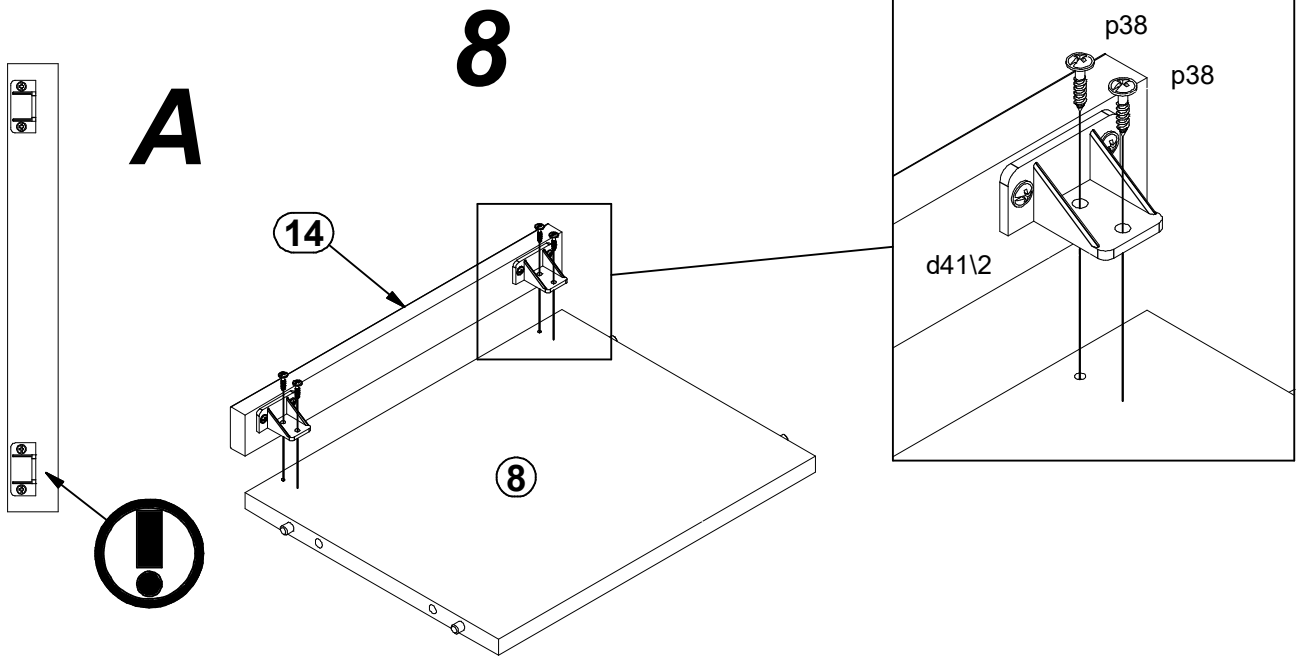
A

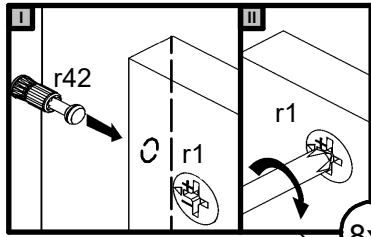
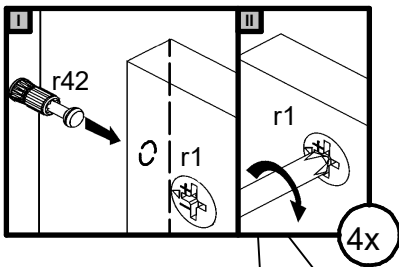
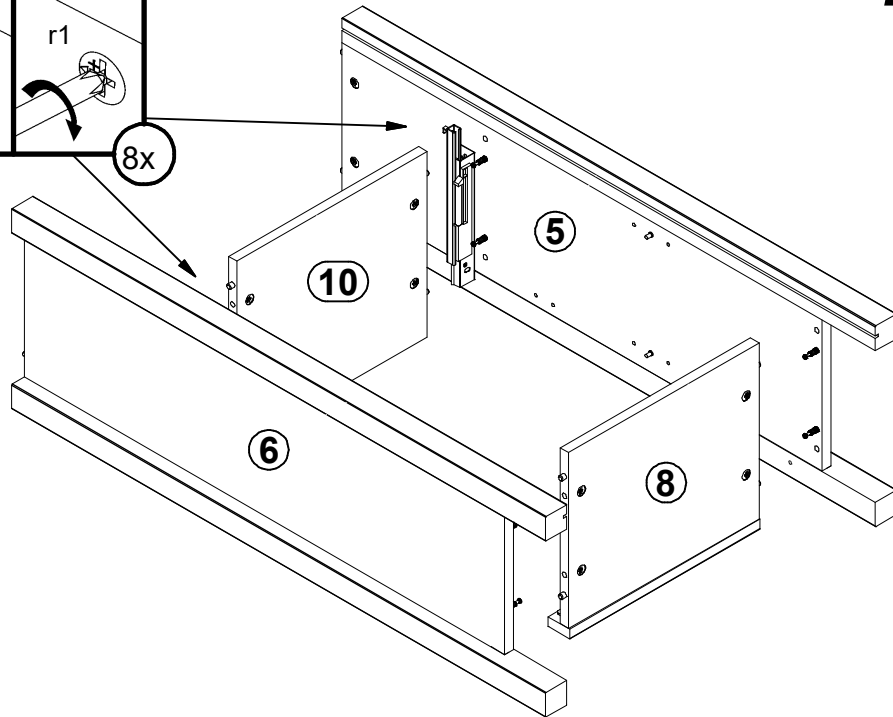
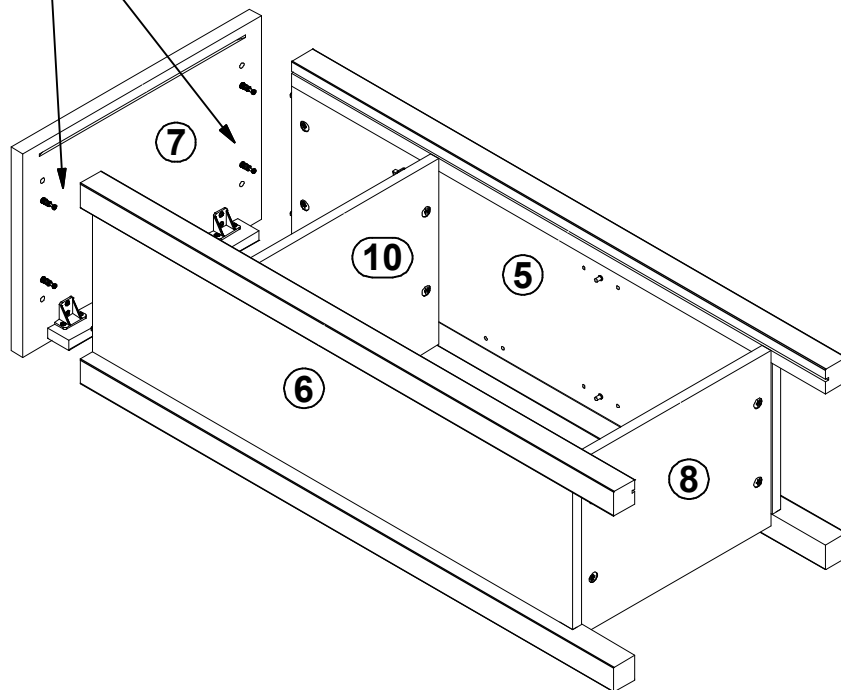


14

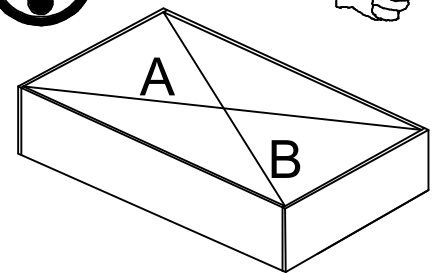
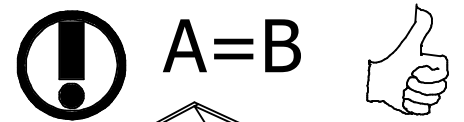
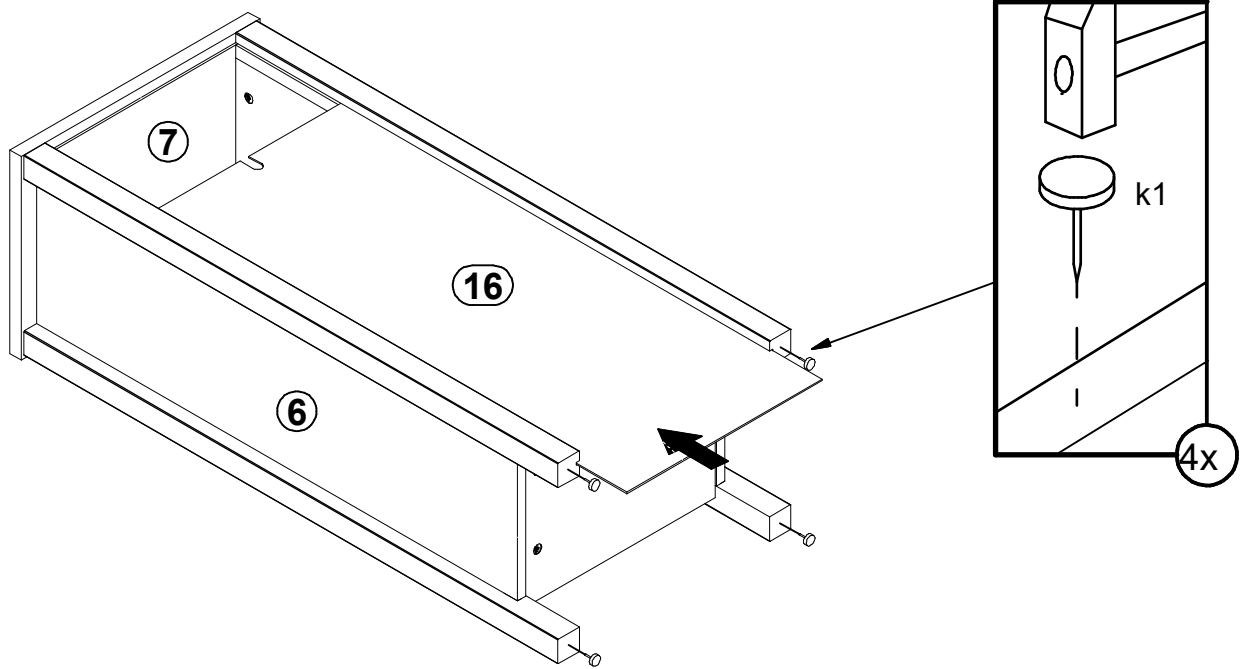


14

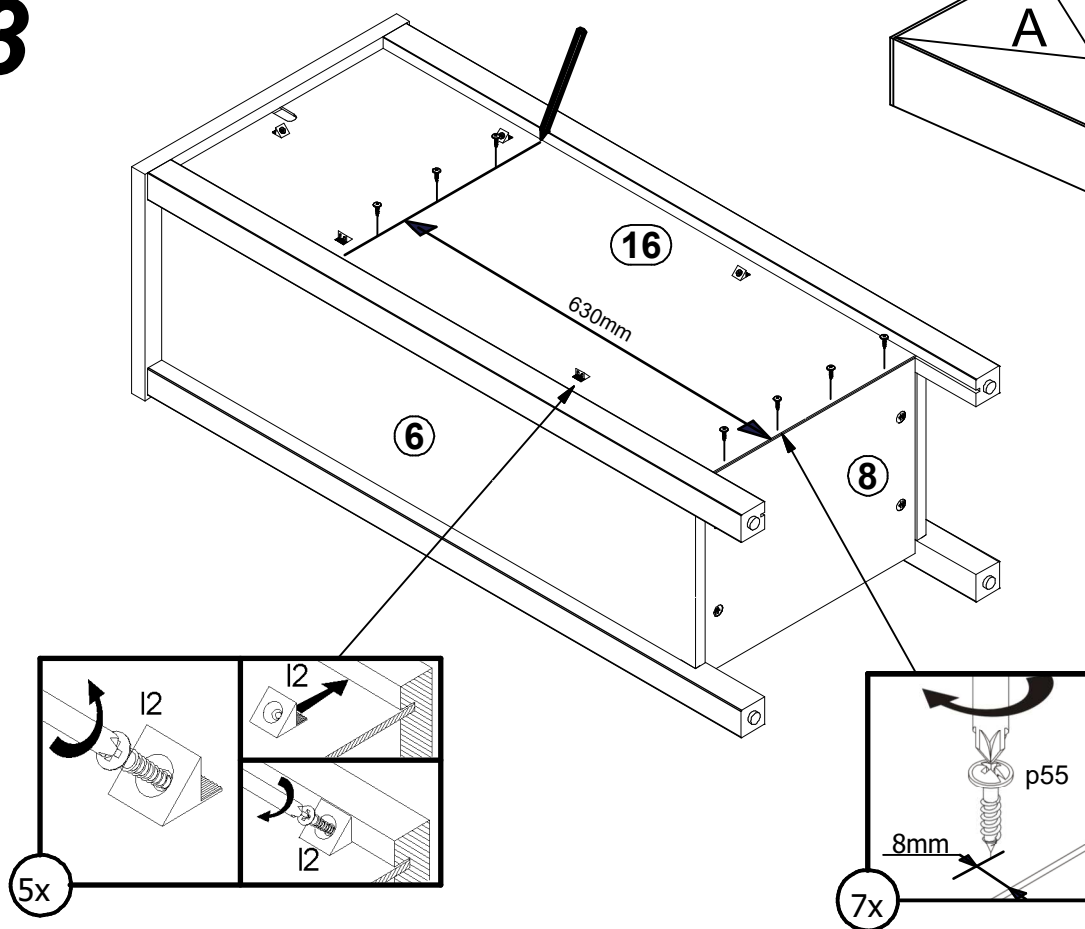


**10****11**

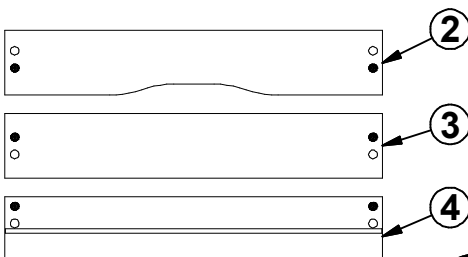
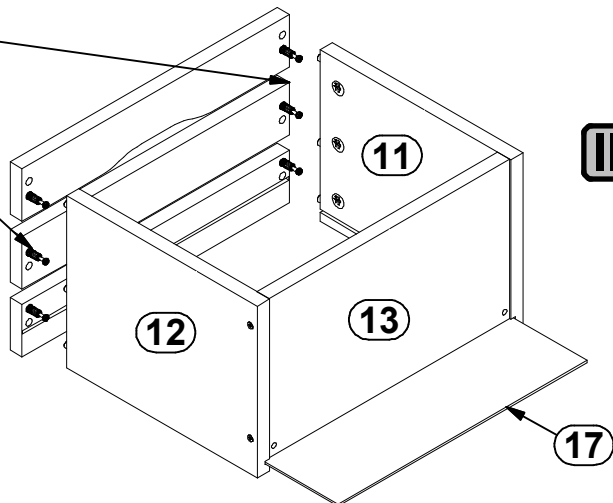
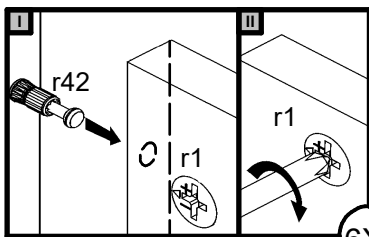
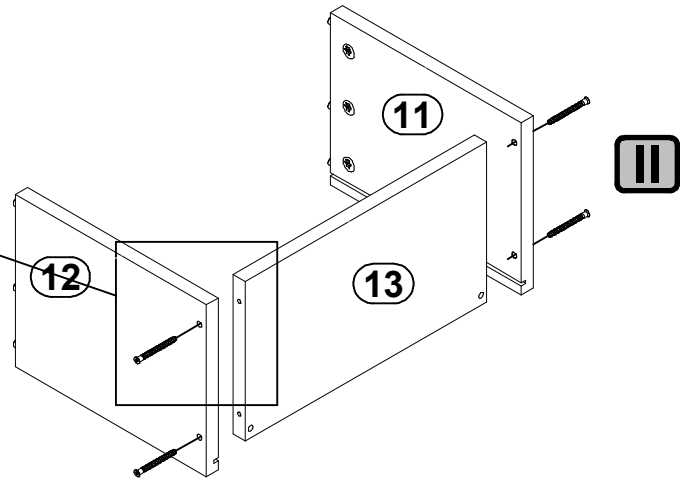
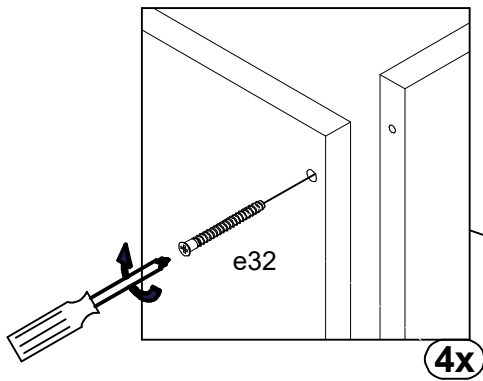
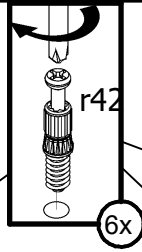
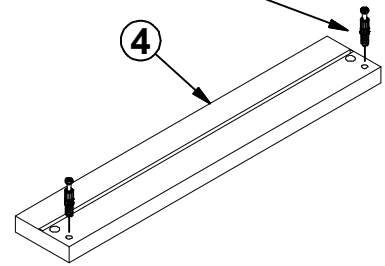
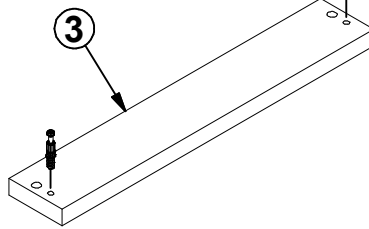
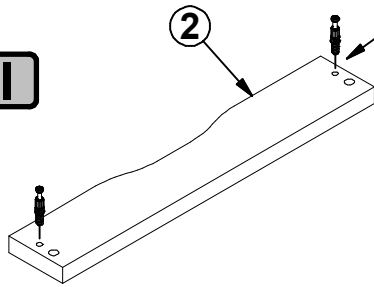
12



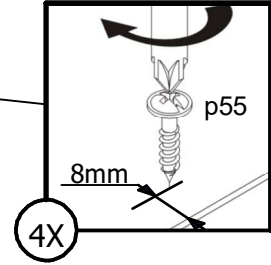
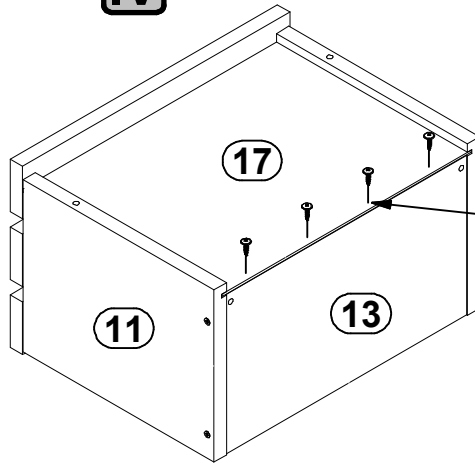
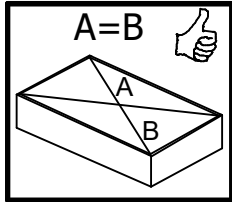
13



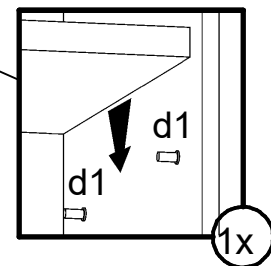
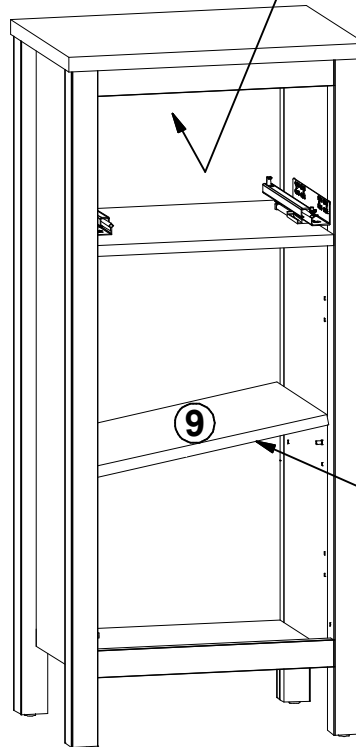
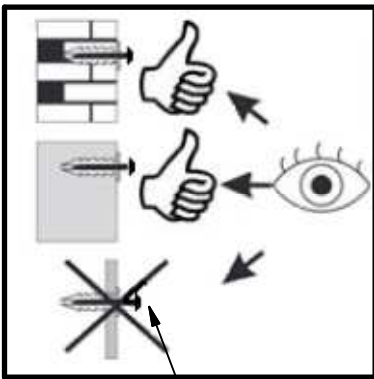
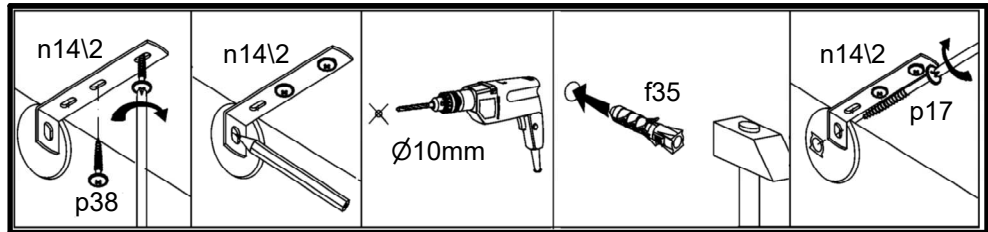
14



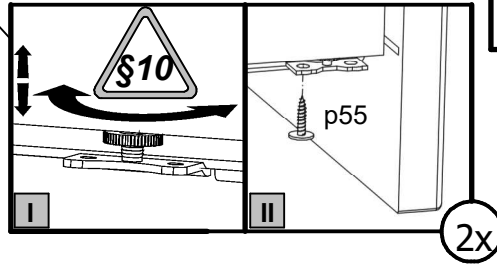
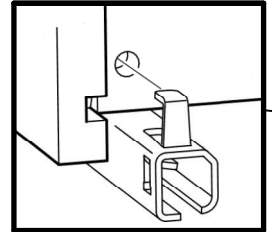
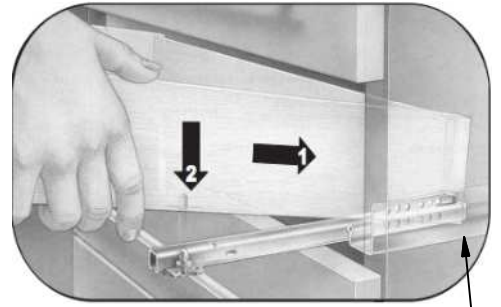
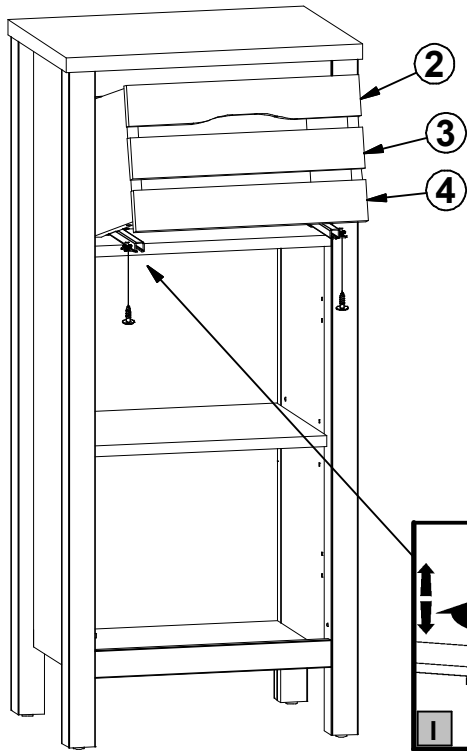
IV



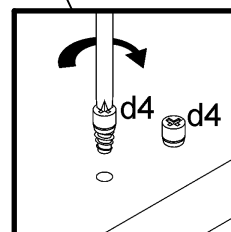
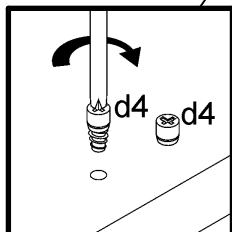
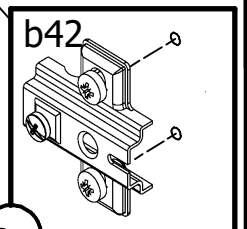
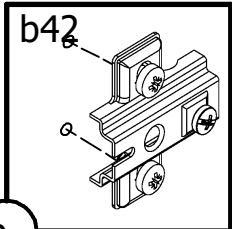
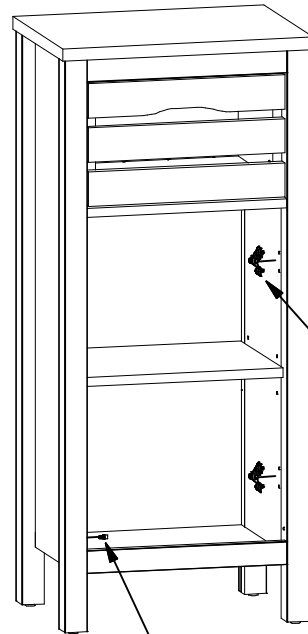
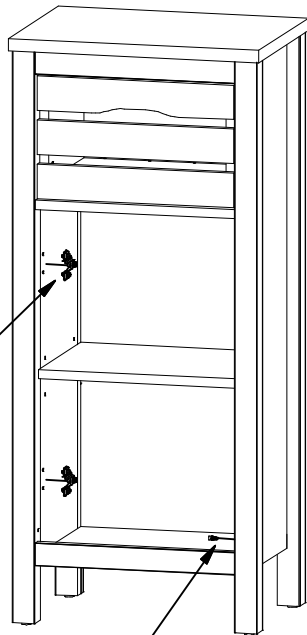
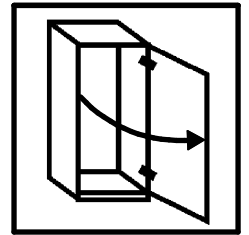
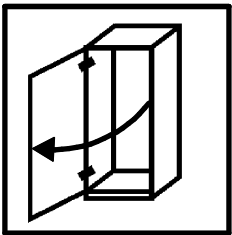
15



16



17



18

