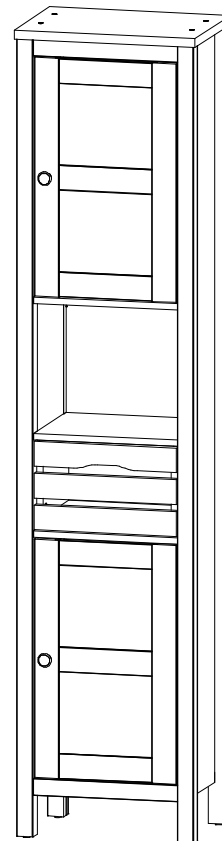
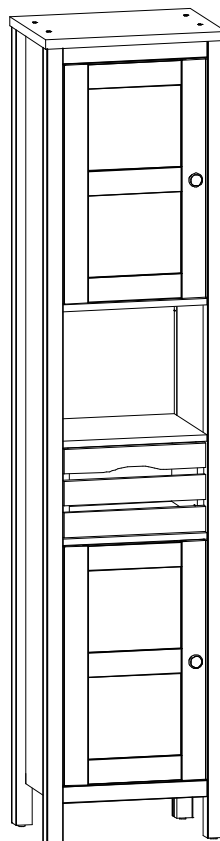
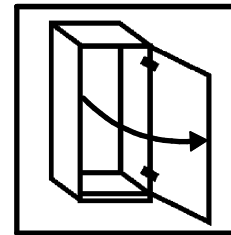
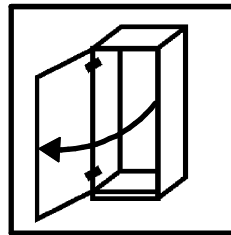
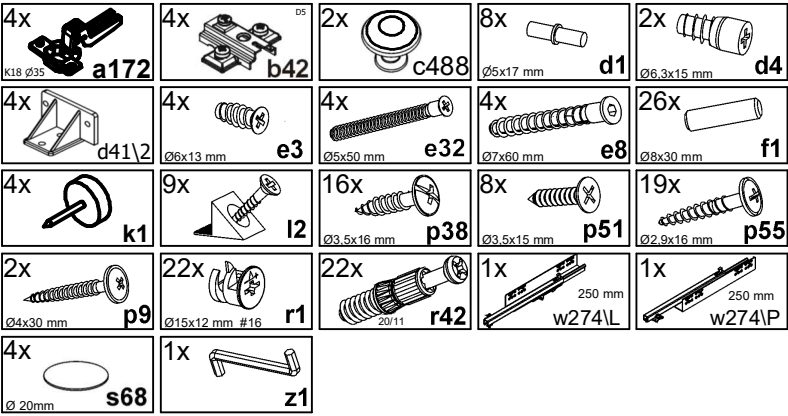


L

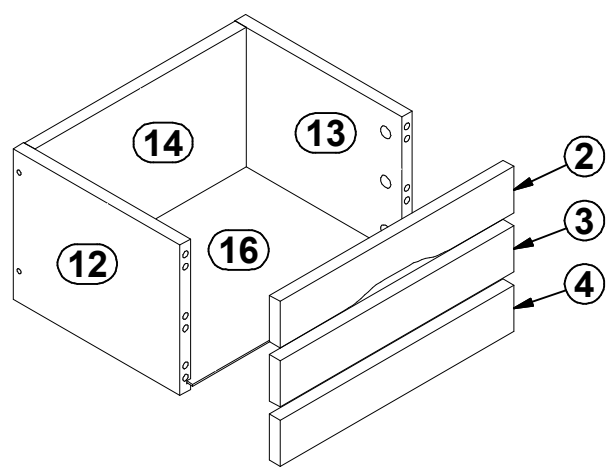
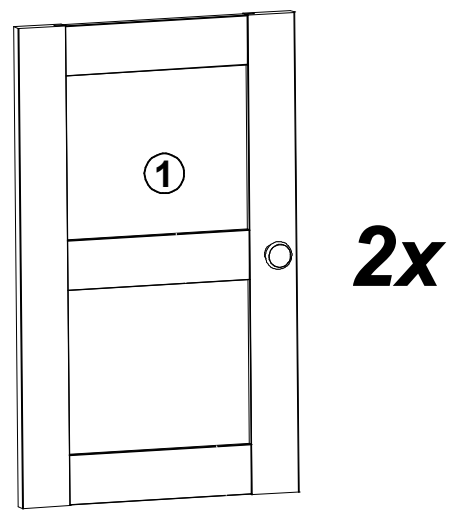
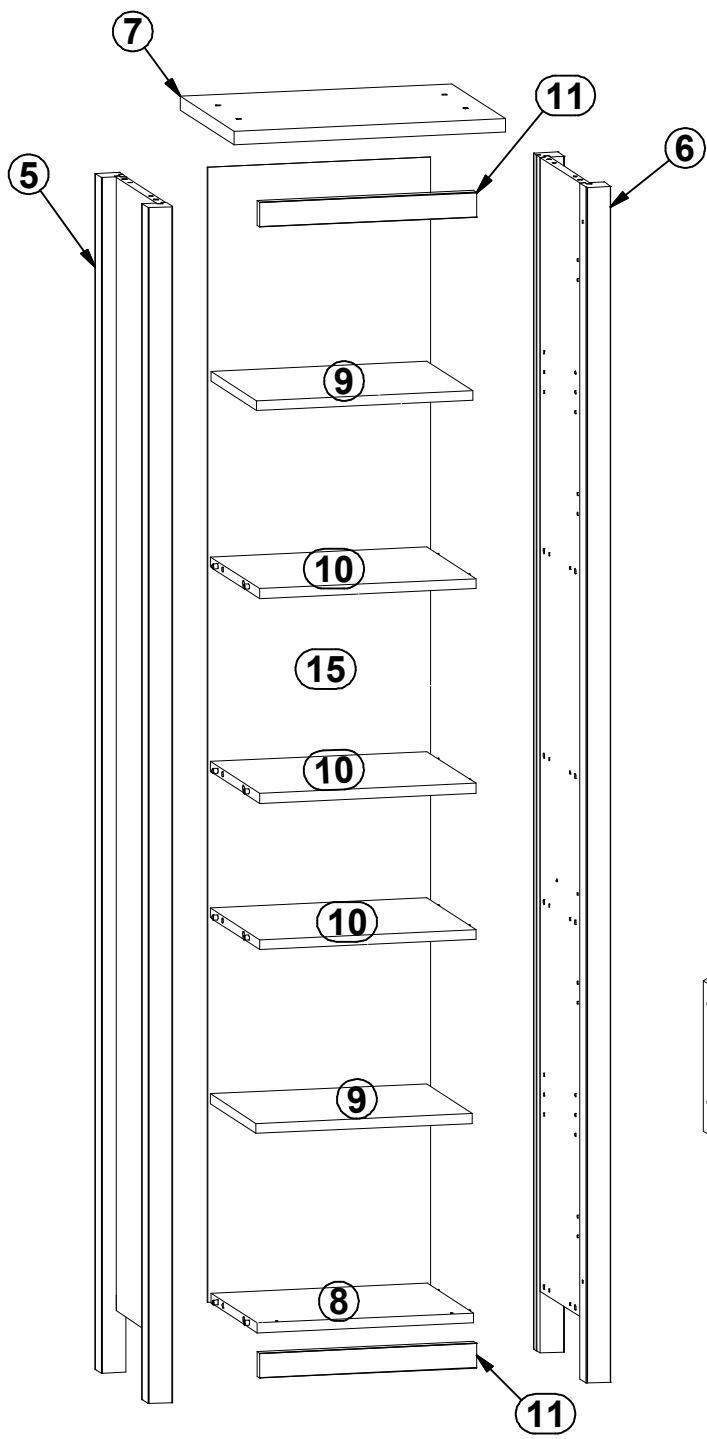
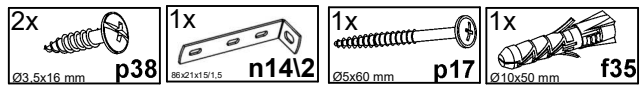


R

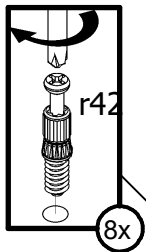
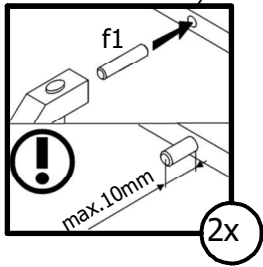
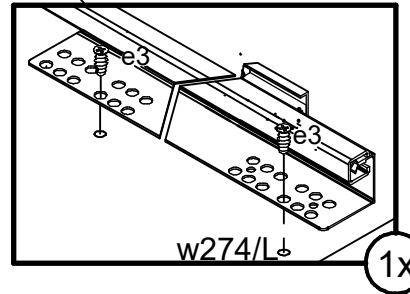
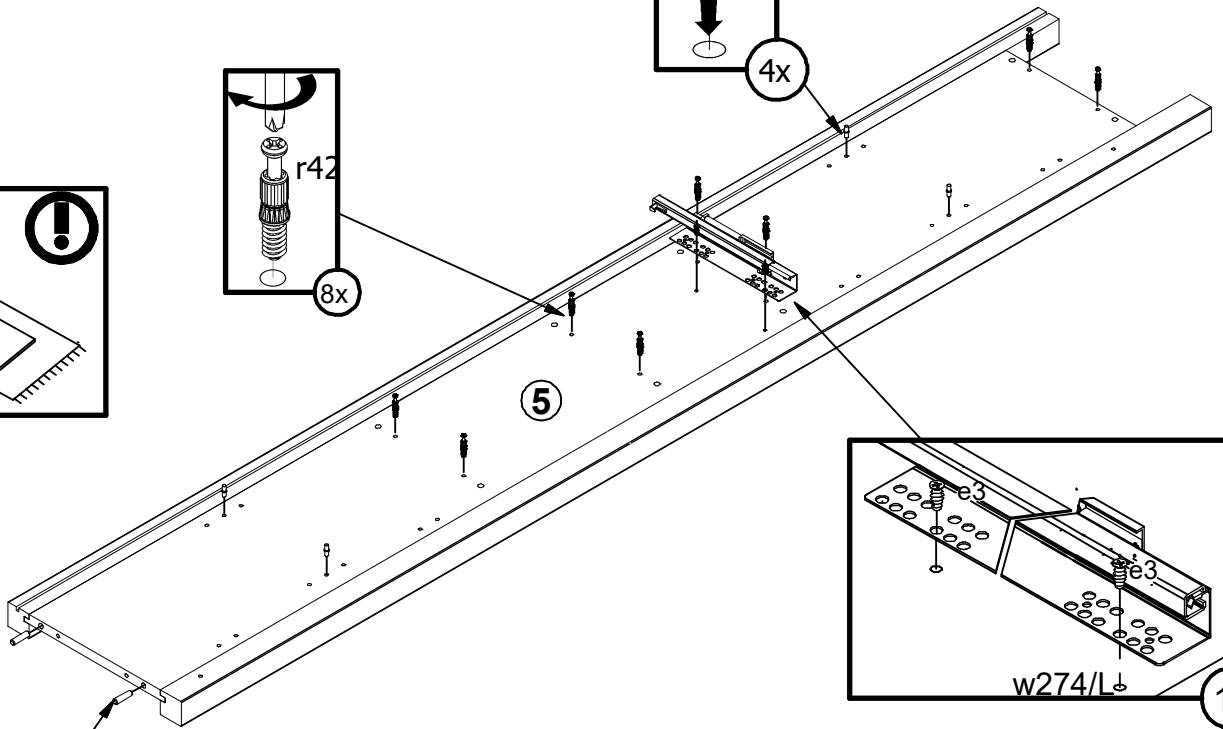
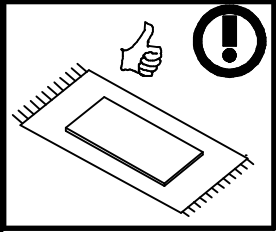
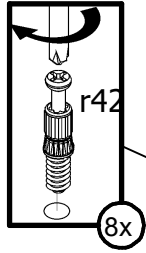
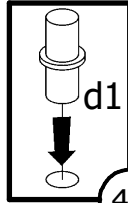




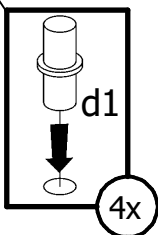
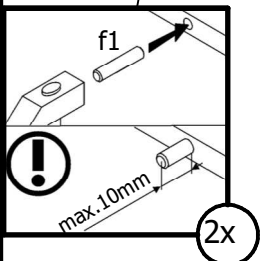
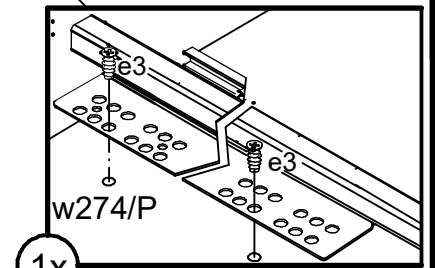
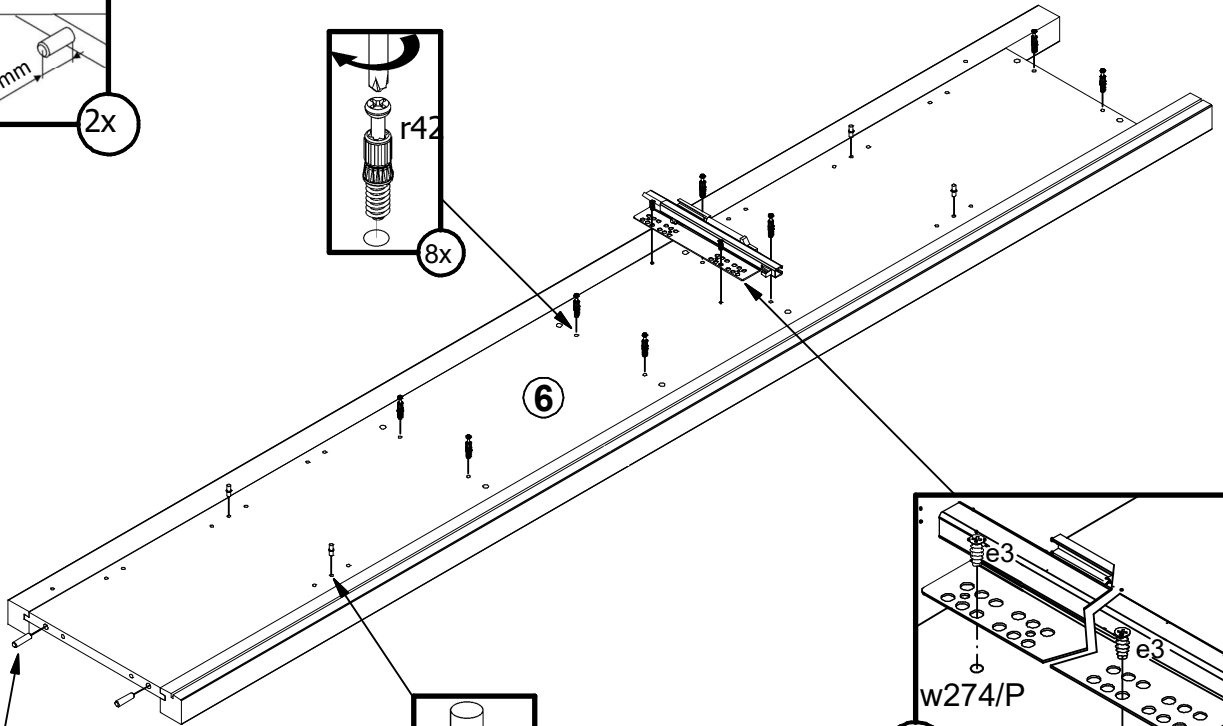
A	B	W	C1	C2	C3	D
1	S562-0001	-3	577	350	16	1/2
2	S562-0002	-1	350	60	16	1/2
3	S562-0003	-1	350	60	16	1/2
4	S562-0004	-2	350	60	16	1/2
5	S562-1003	-3	1928	325	40	2/2
6	S562-1004	-3	1928	325	40	2/2
7	S562-2002	-1	446	330	22	1/2
8	S562-3001	-1	356	285	16	1/2
9	S562-3002	-1	355	280	16	1/2
10	S562-3003	-1	356	301	16	1/2
11	S562-5005	-3	356	40	16	2/2
12	S562-5301	-3	250	195	16	1/2
13	S562-5302	-3	250	195	16	1/2
14	S562-5701	-2	316	181	16	1/2
15	S562-9003	-1	1830	366	2,5	2/2
16	WSP-9489	B.42	326	258	2,5	1/2



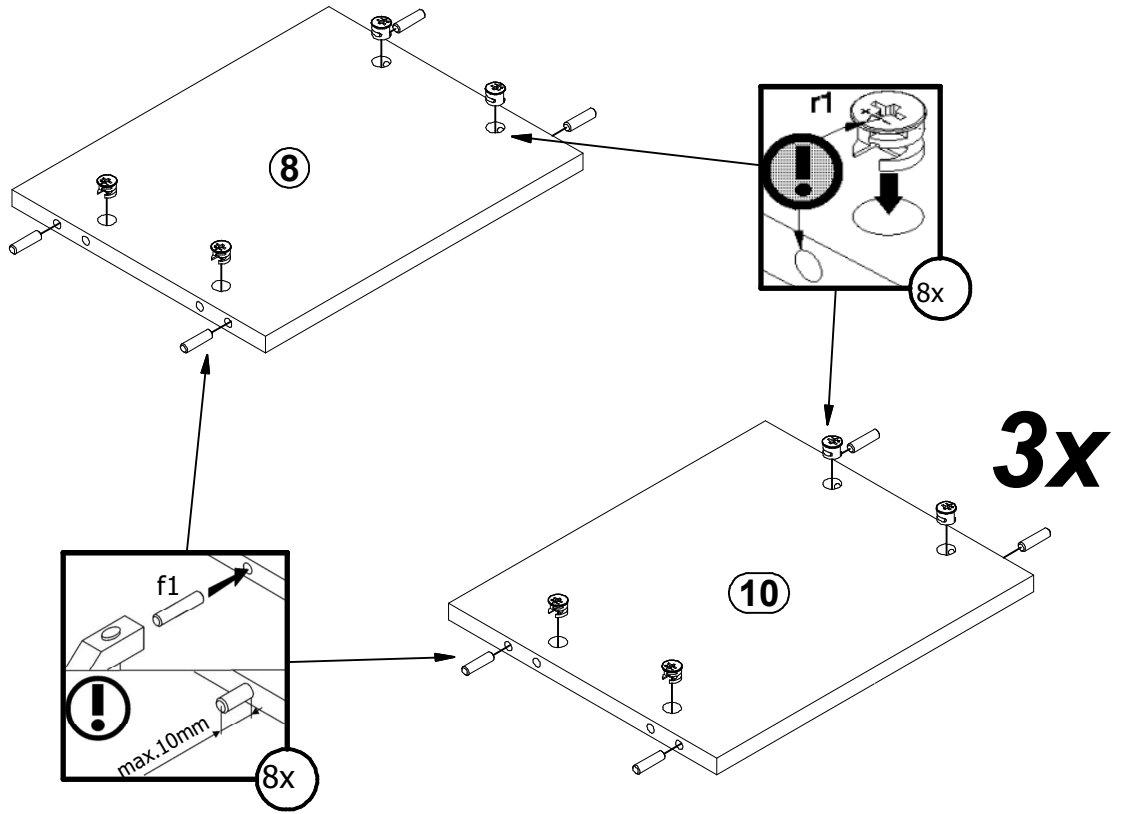
1



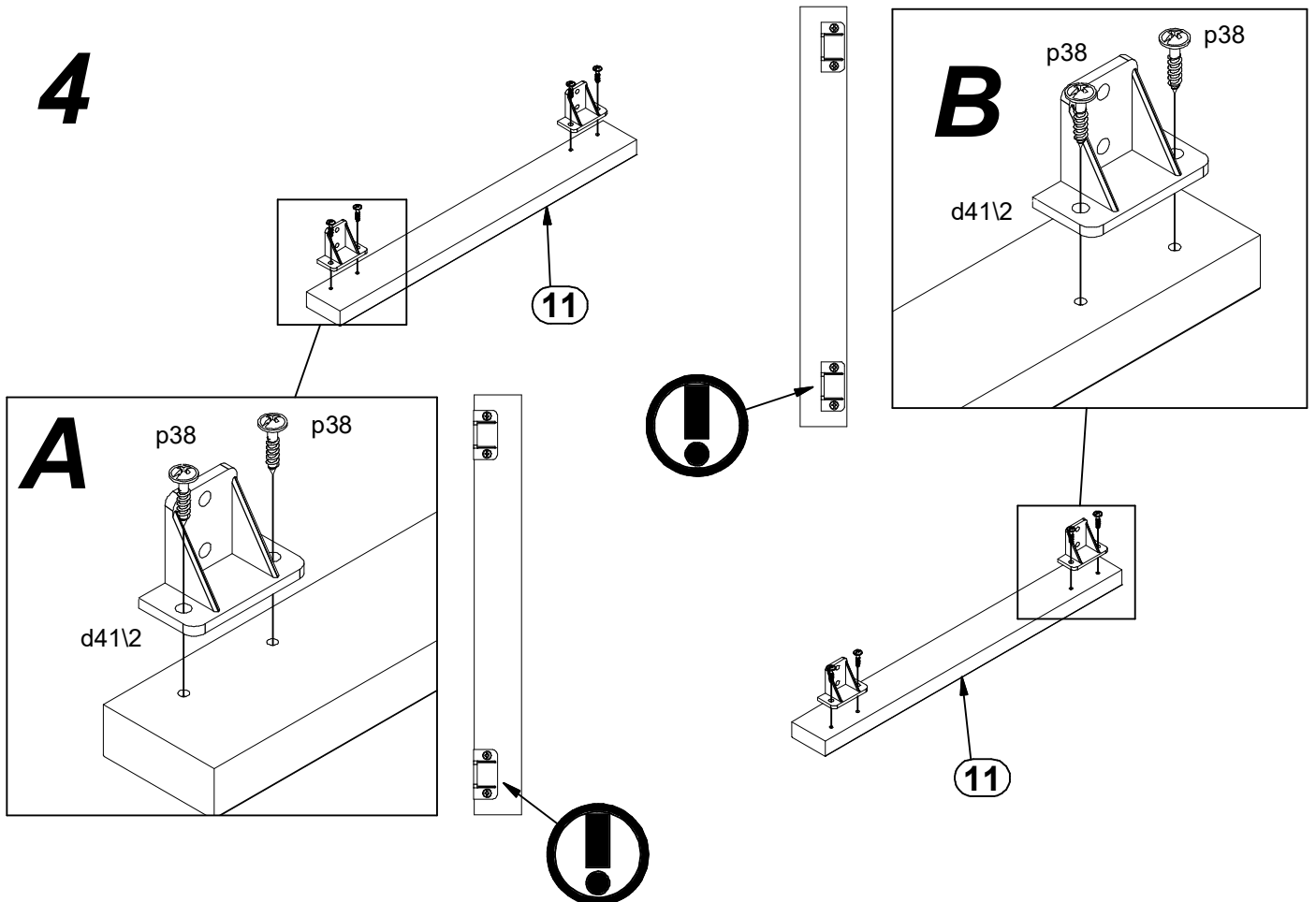
2



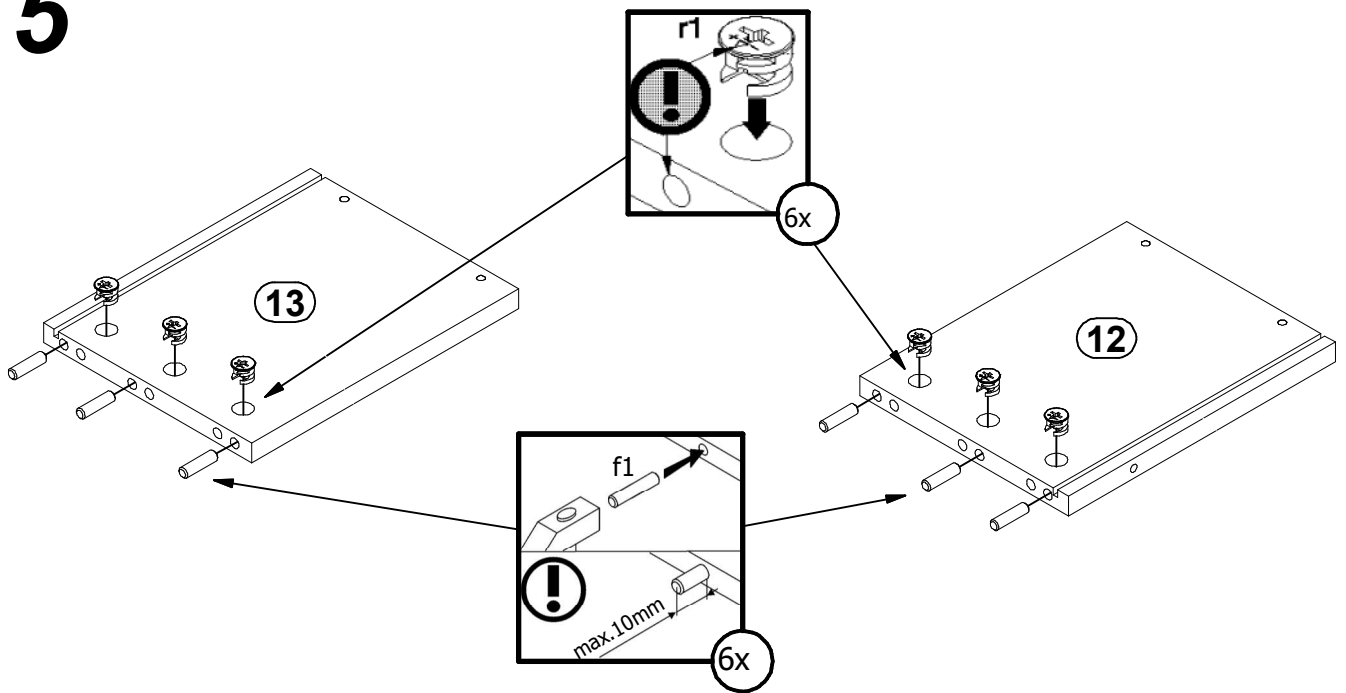
3



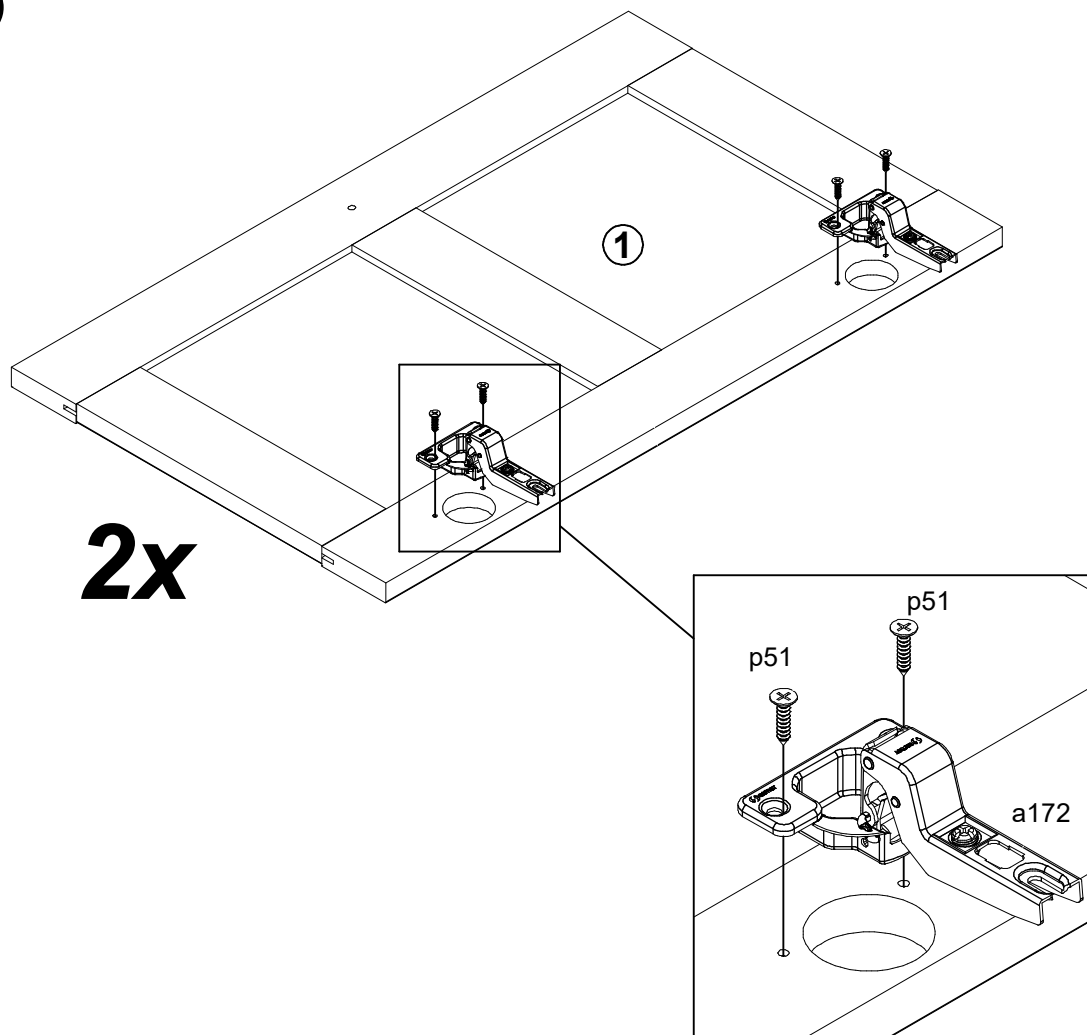
4



5

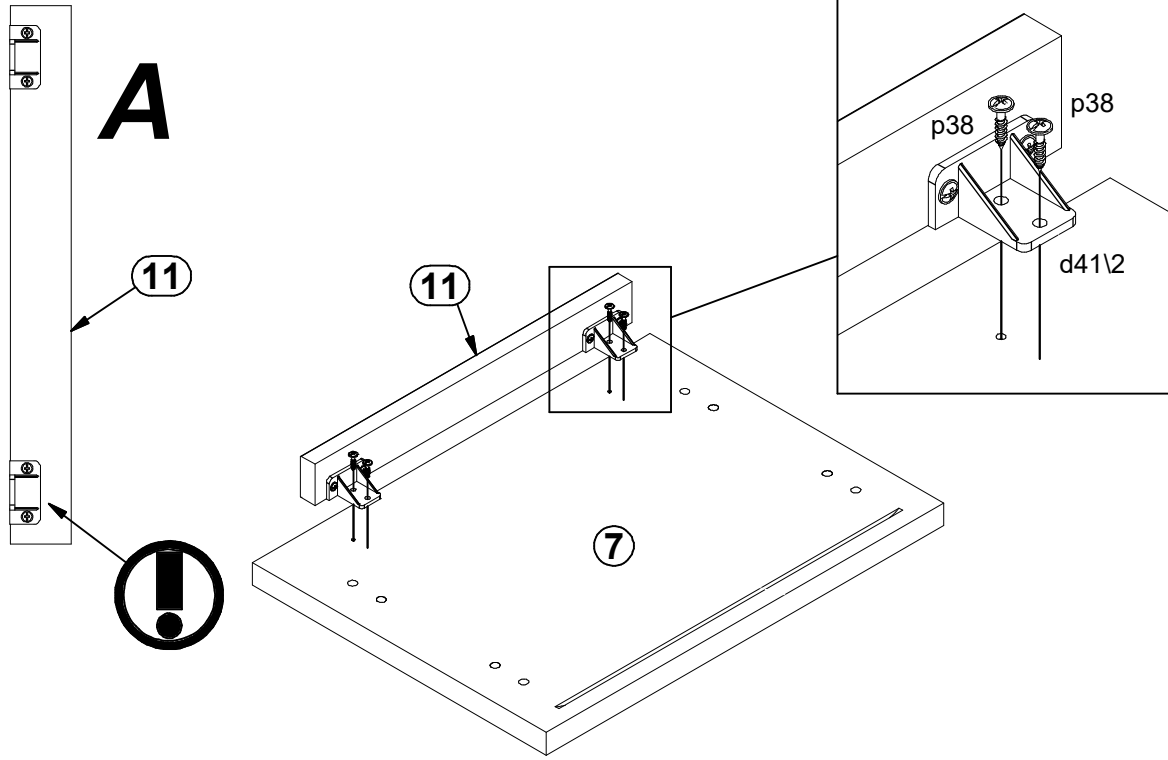


6



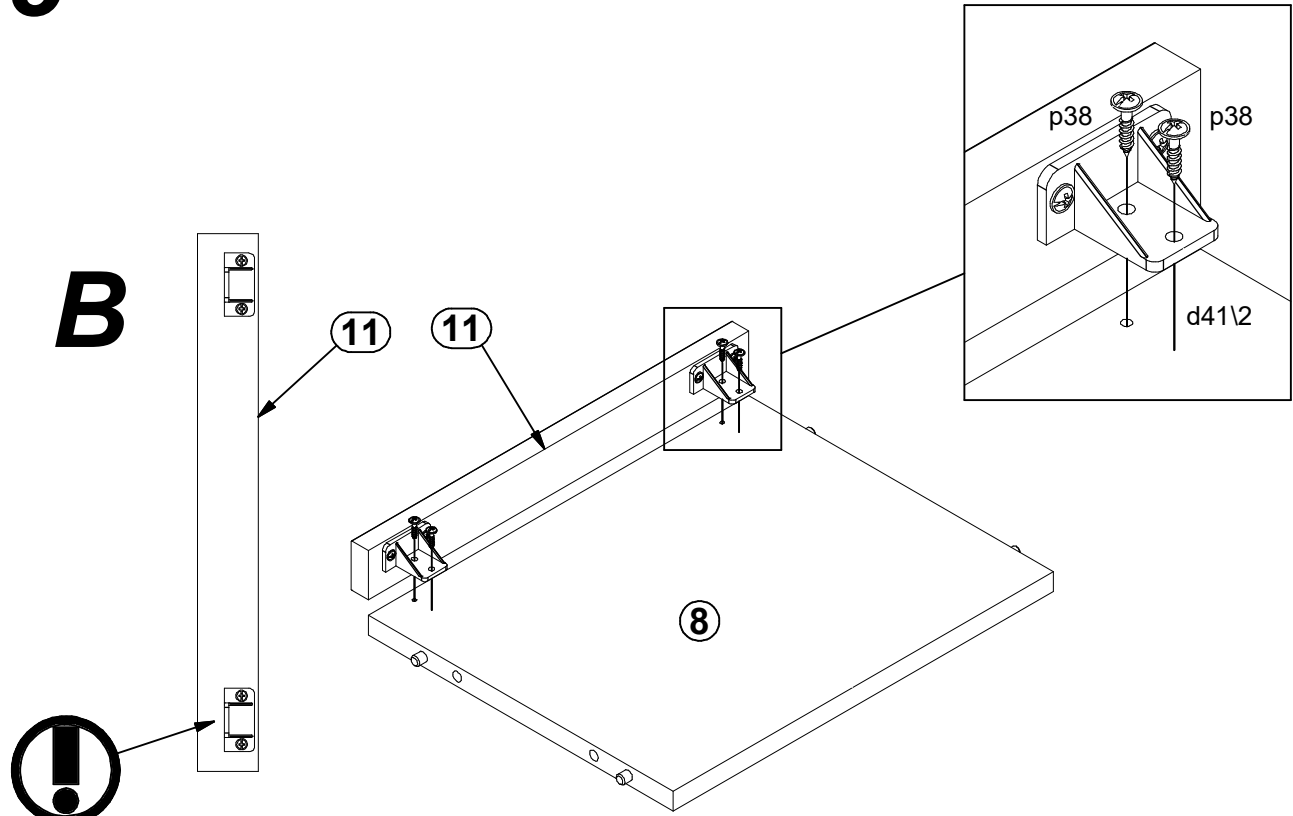
A

7

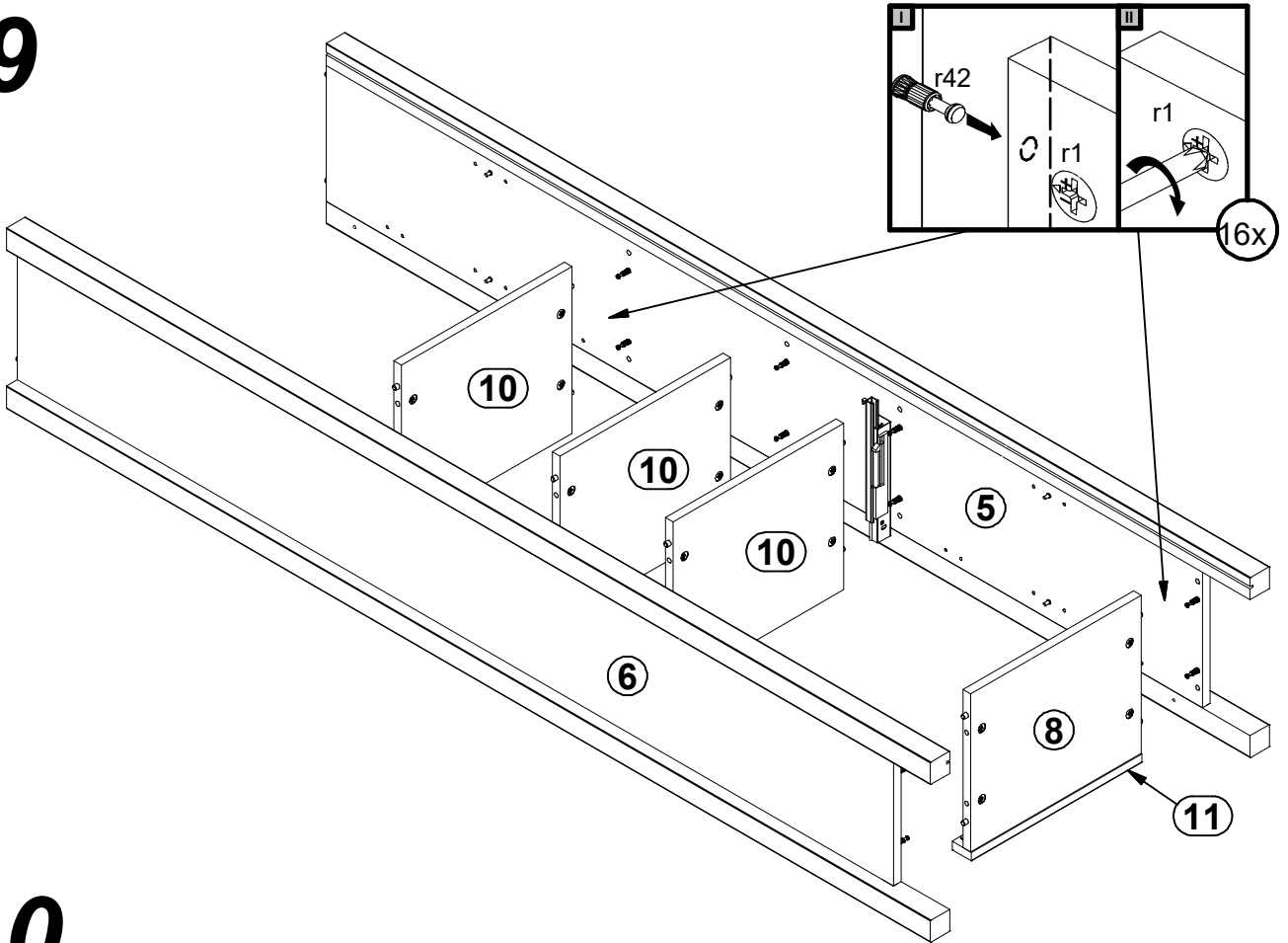


8

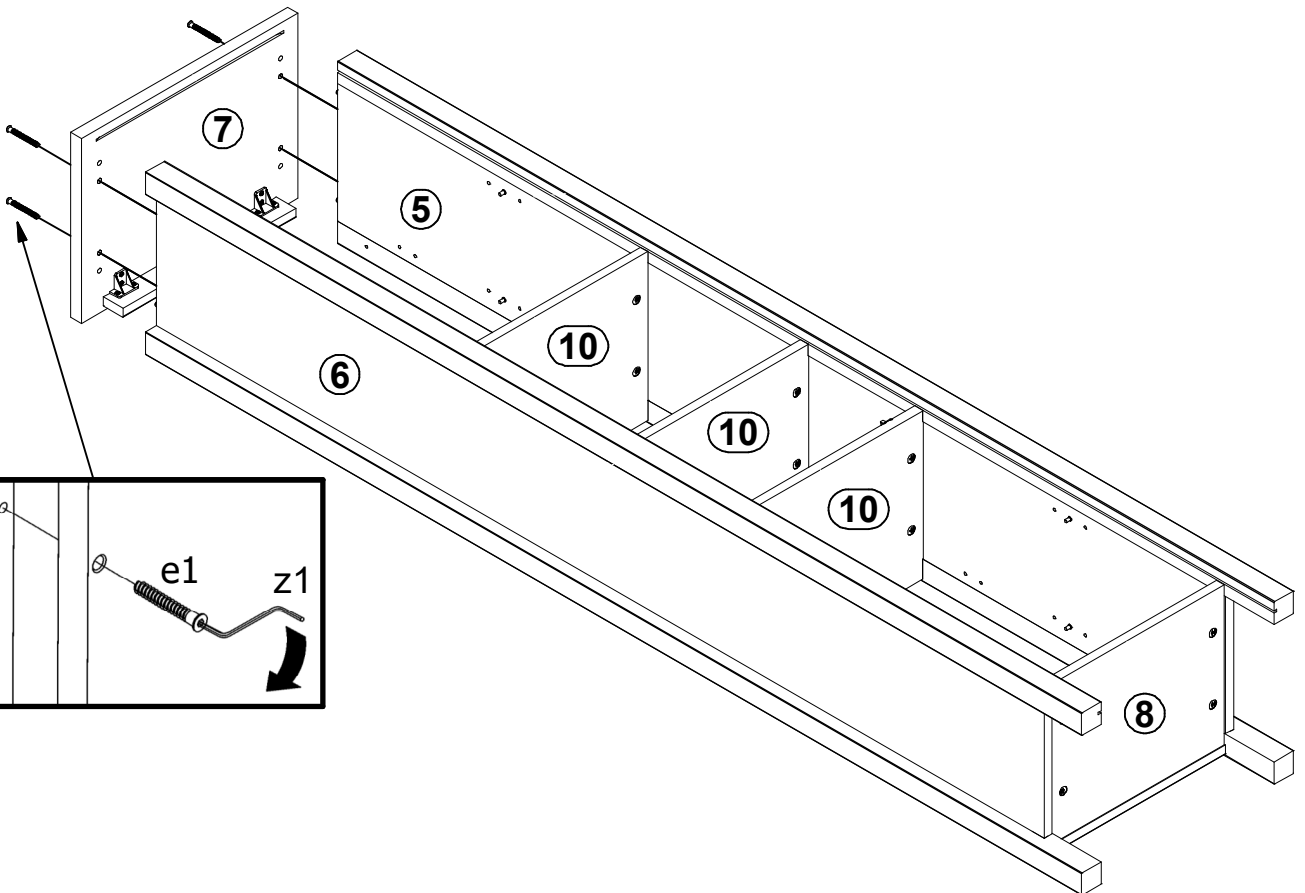
B



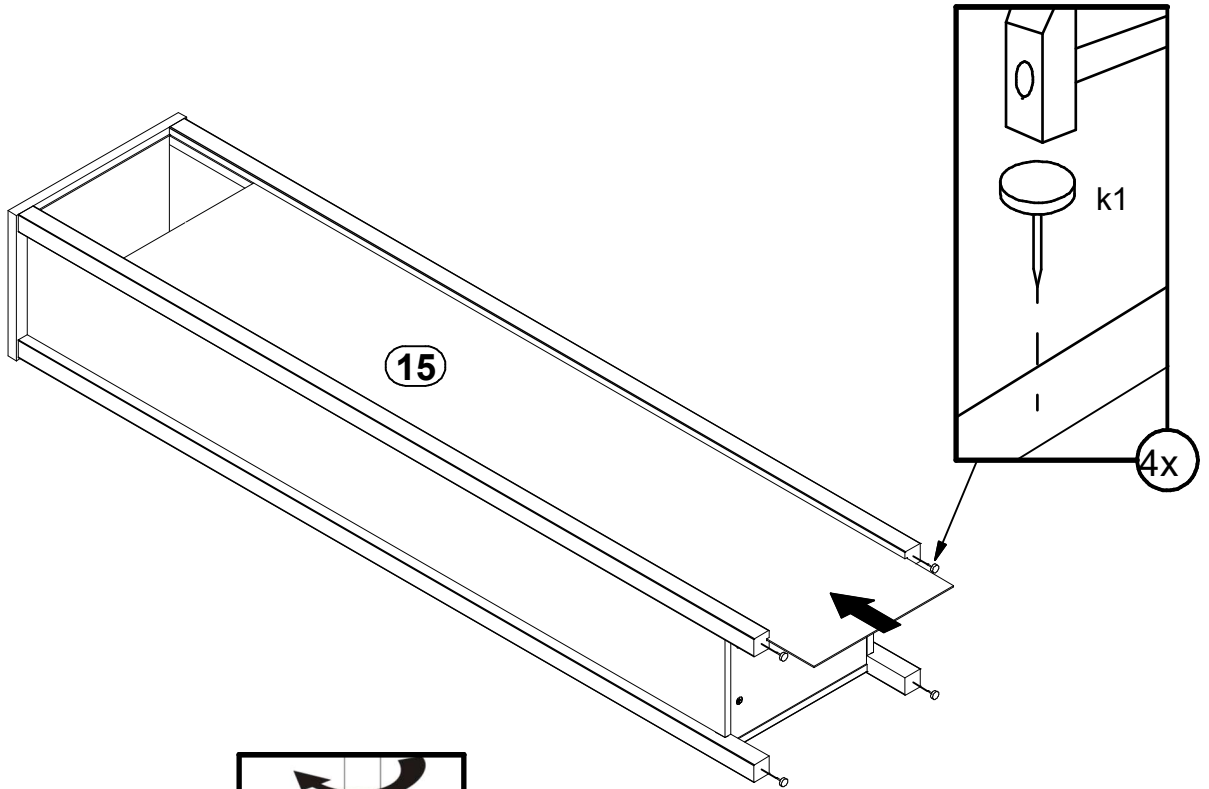
9



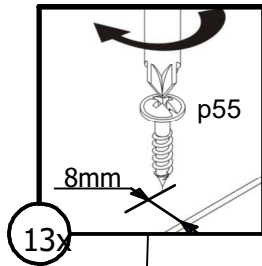
10



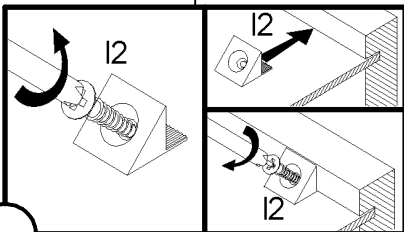
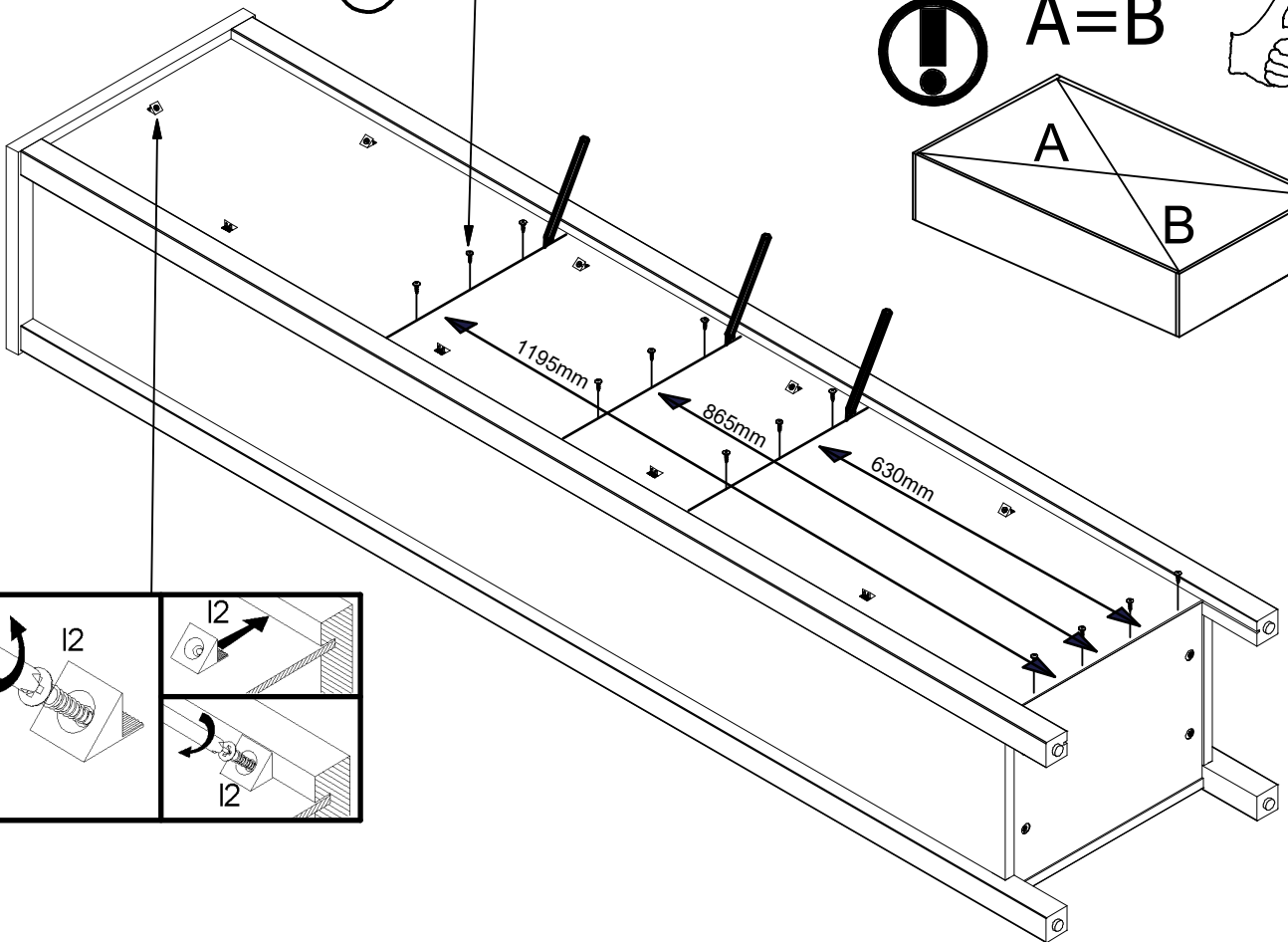
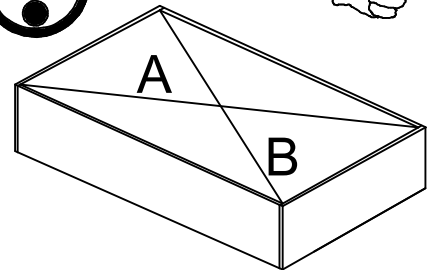
11



12

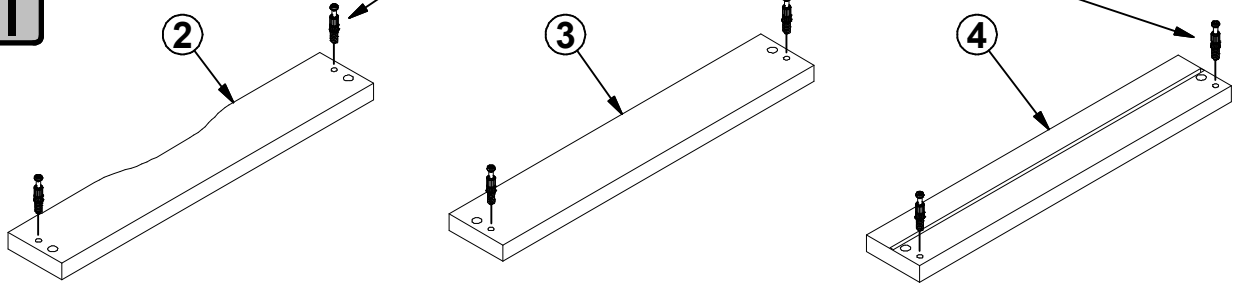


A=B

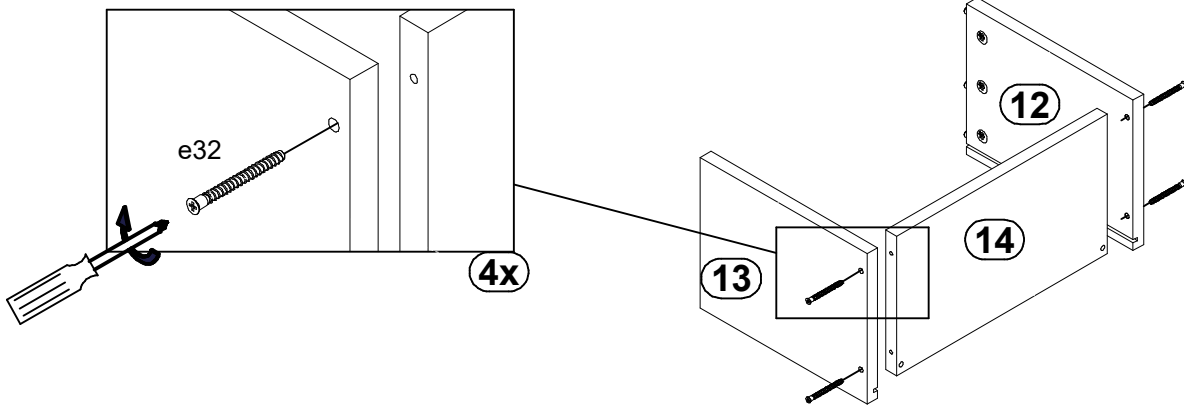


13

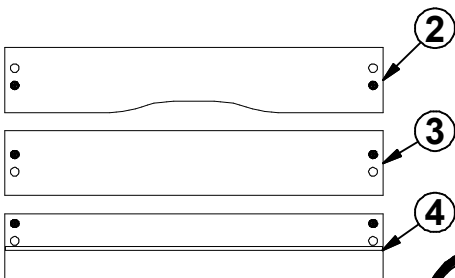
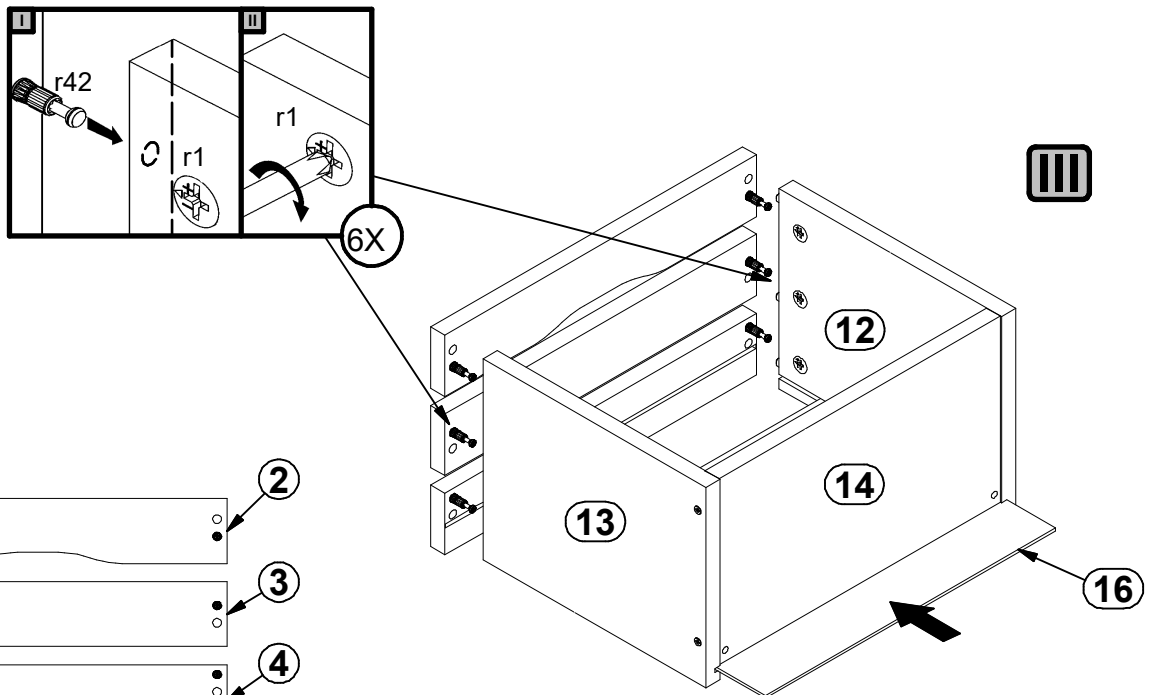
I



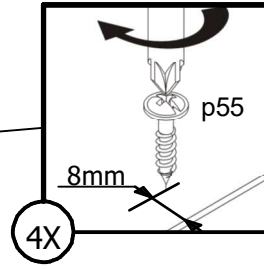
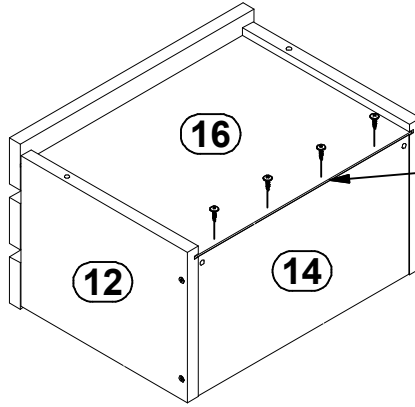
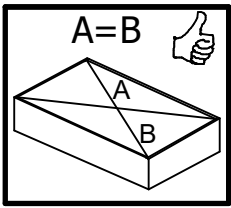
II



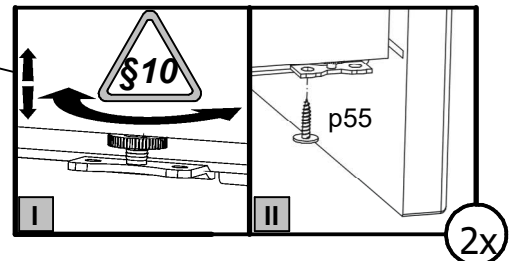
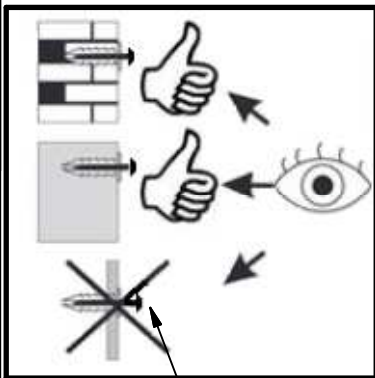
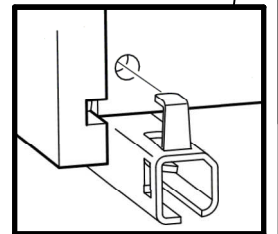
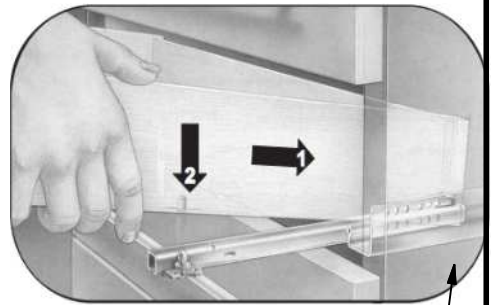
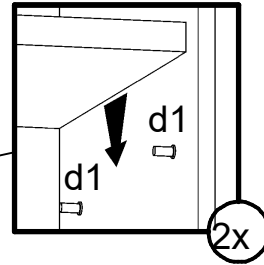
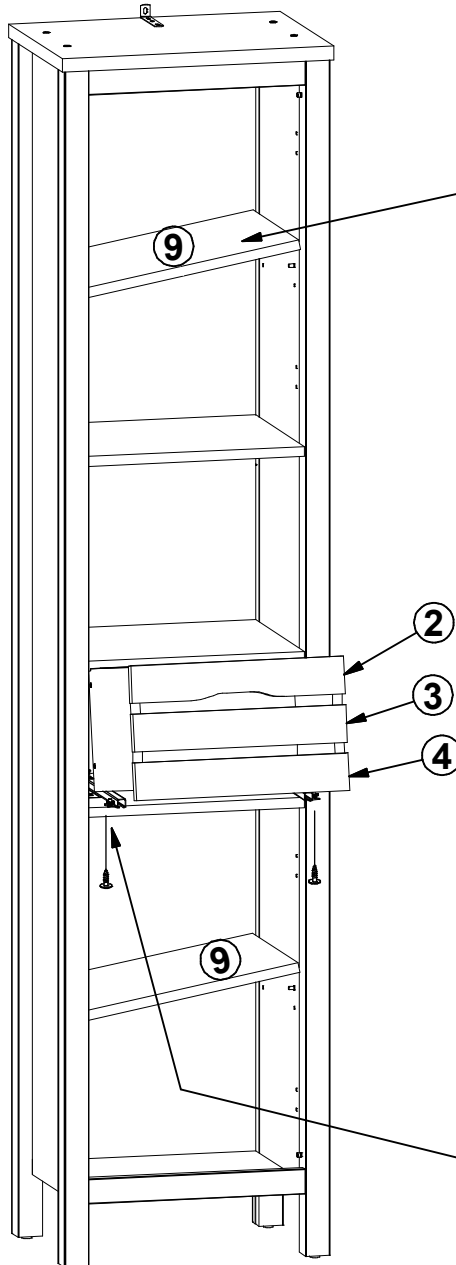
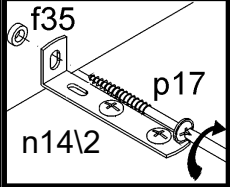
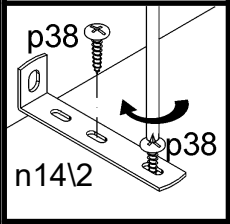
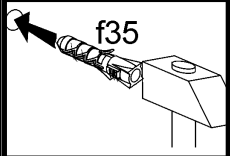
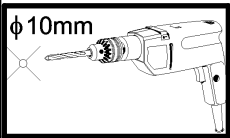
III



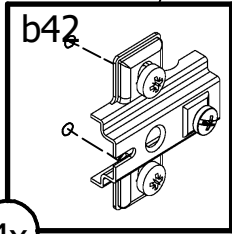
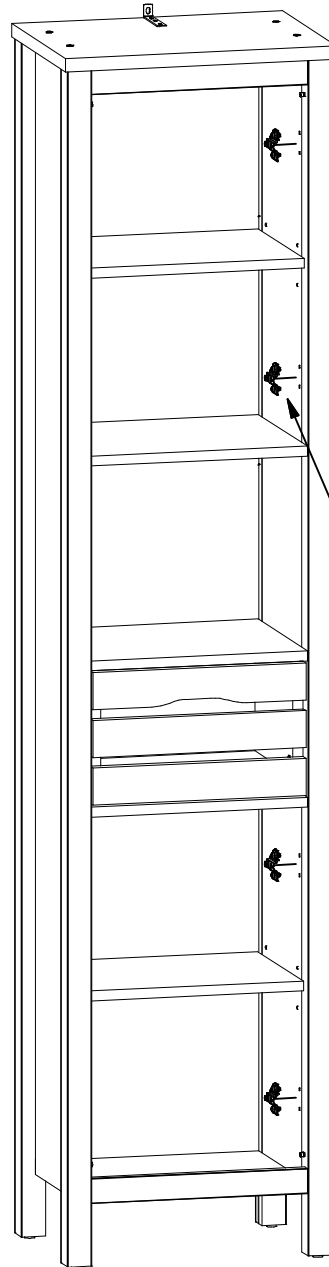
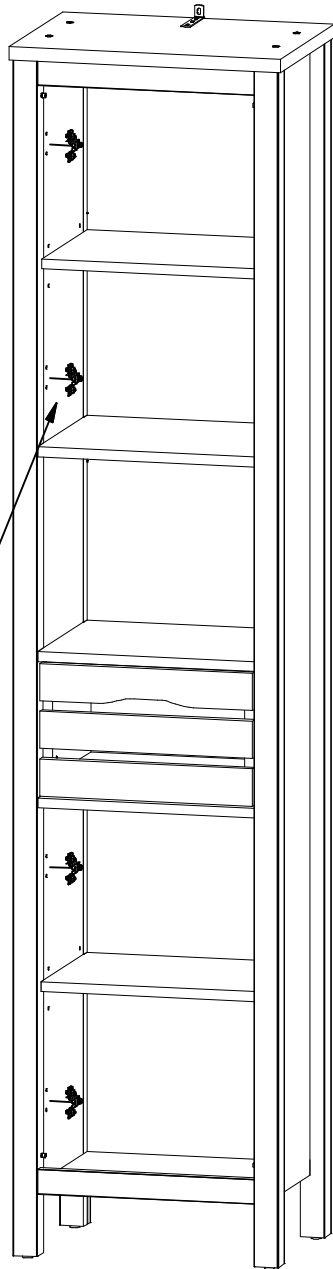
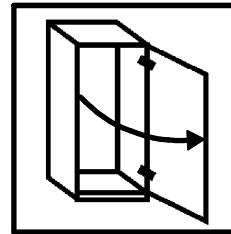
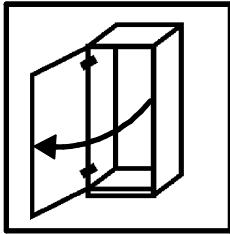
IV



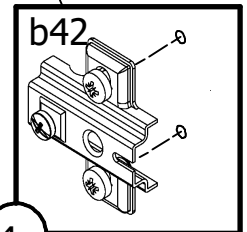
14



15

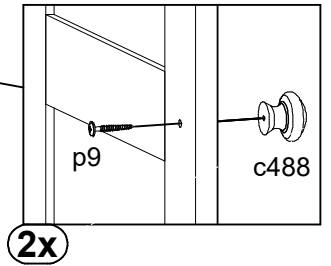
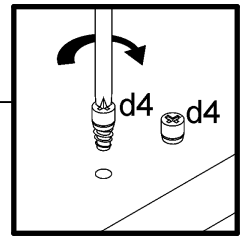
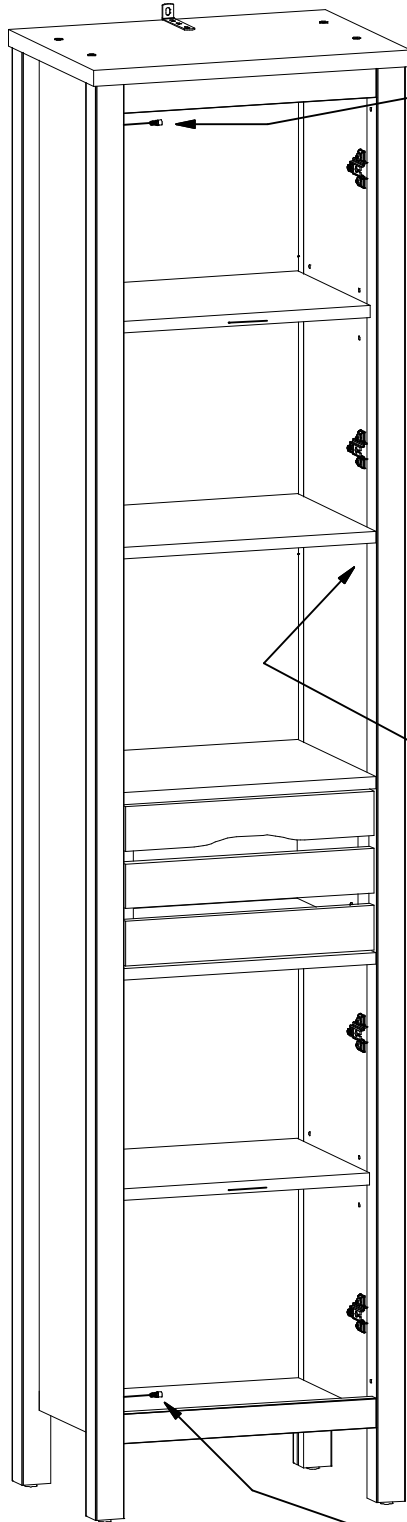
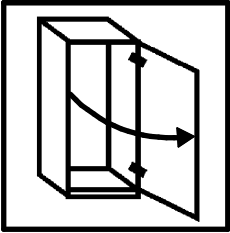


4x

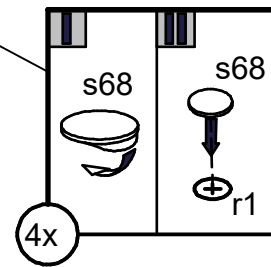


4x

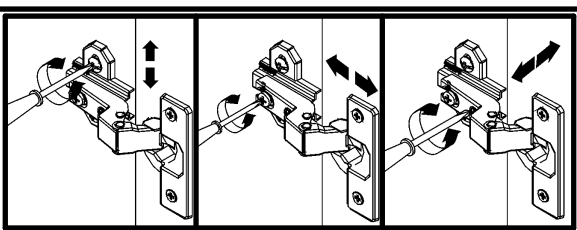
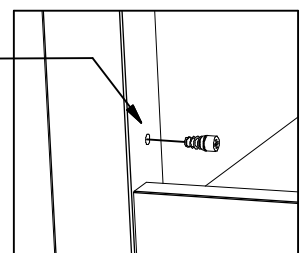
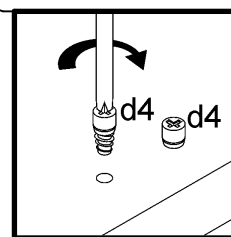
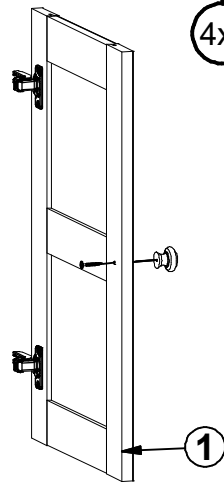
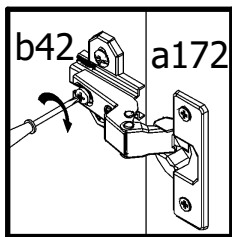
16



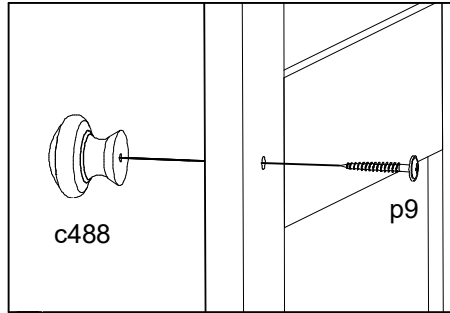
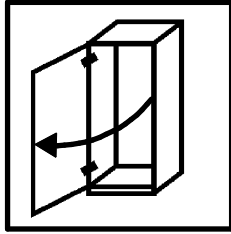
1



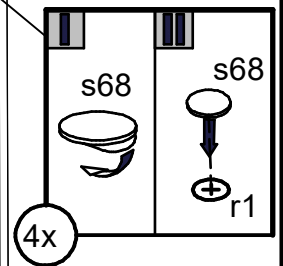
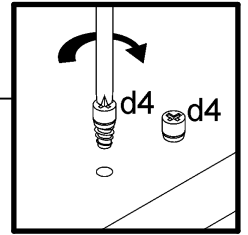
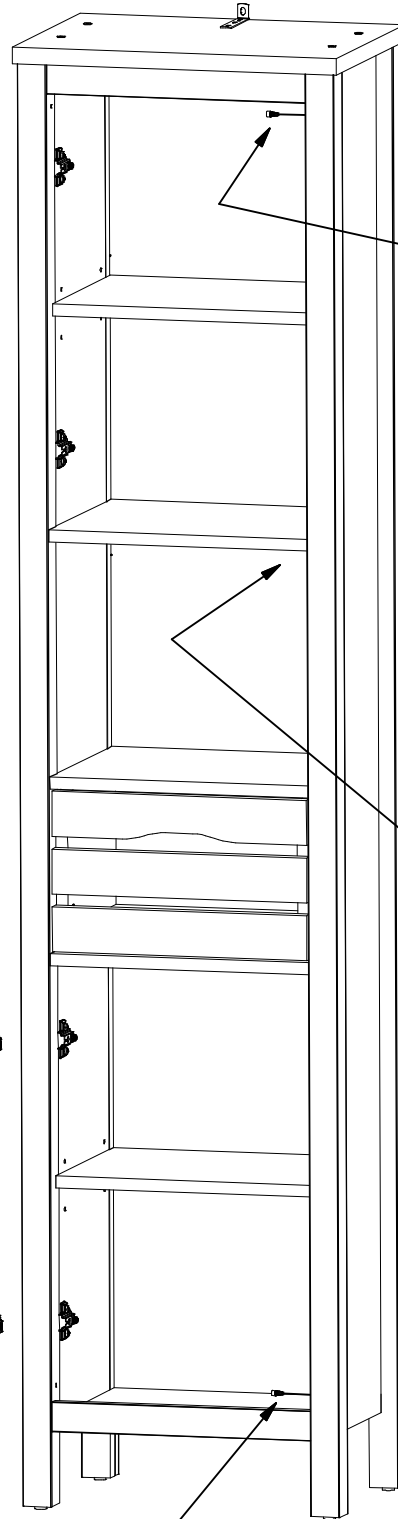
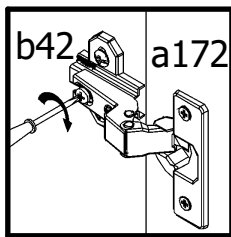
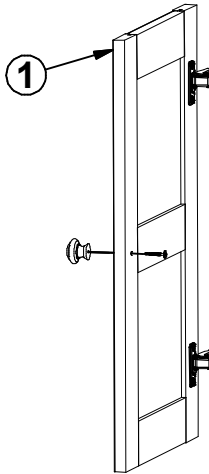
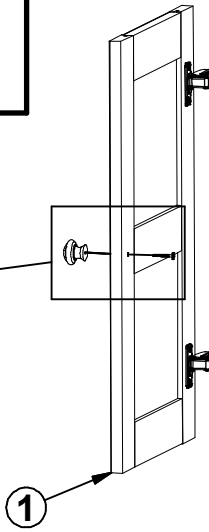
4x



17



2x



4x

