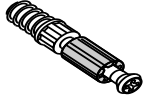

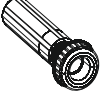




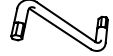



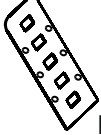



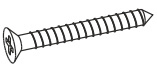

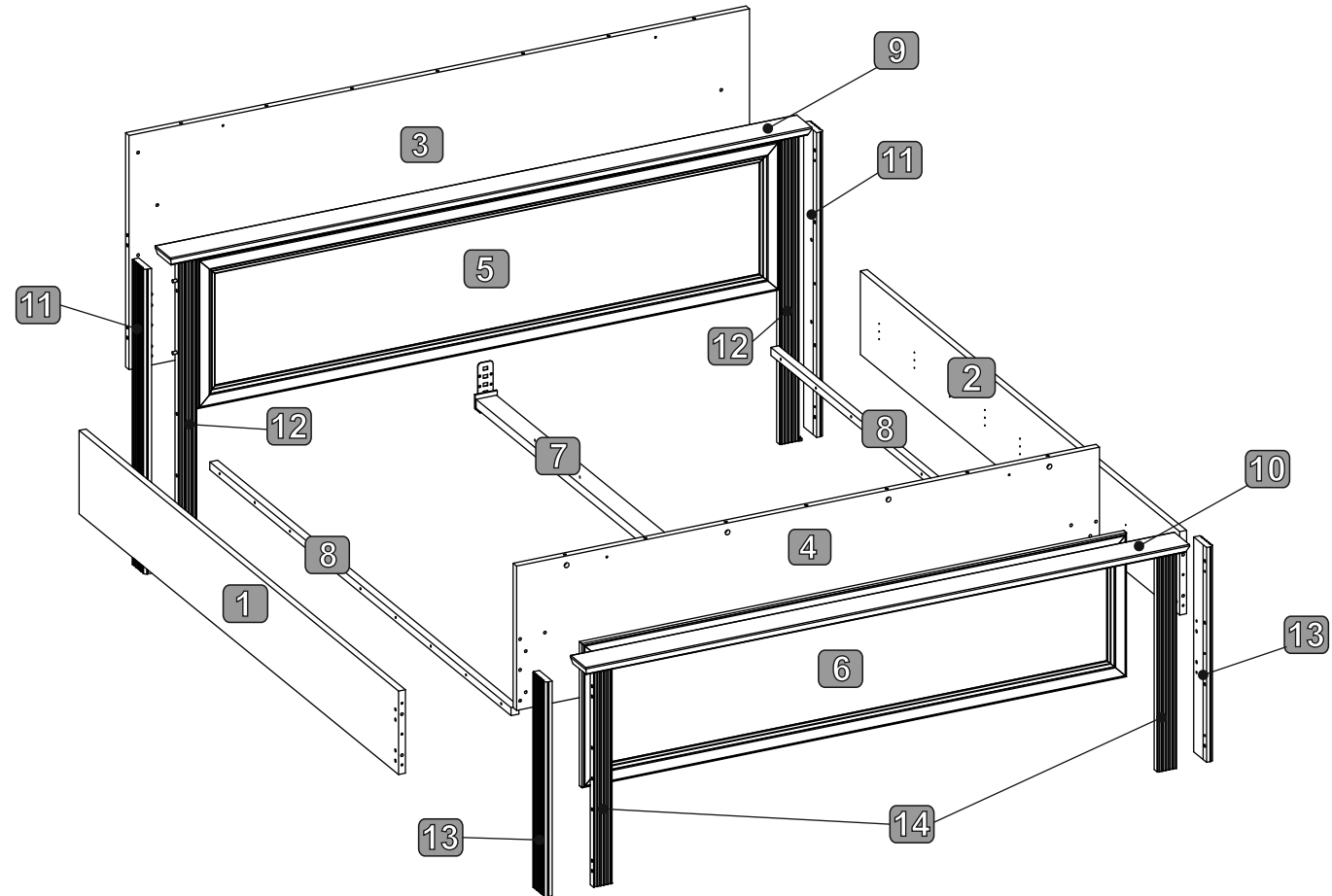
 15x12 24x T02	 24x T01	 8x28 42x D01	 2x NOG	 4x REG	 4x40 18x W28	 7x70 12x W70	 7x35 14x W36	 Z4 2x Z4	 8x G10
 4x35 8x W15	 2x L01	 2x L02	 2x L02	 4x16 16x W25	 8x S01	 4x35 16x W22	 4x C01		

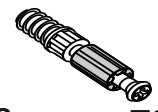
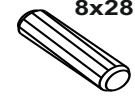
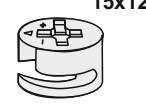

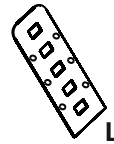
NR	DIM	QTE	COLLI
1	2032x260x22	1	1/3
2	2032x260x22	1	1/3
3	1974x730x22	1	2/3
4	1854x450x22	1	3/3
5	1852x468x22	1	2/3
6	1732x449x22	1	3/3
7	2018x65x28	1	1/3
8	1916x25x25	2	1/3
9	2040x100x28	1	1/3
10	1920x100x28	1	1/3
11	950x82x22	2	2/3
12	950x60x22	2	2/3
13	670x82x22	2	2/3
14	670x60x22	2	2/3

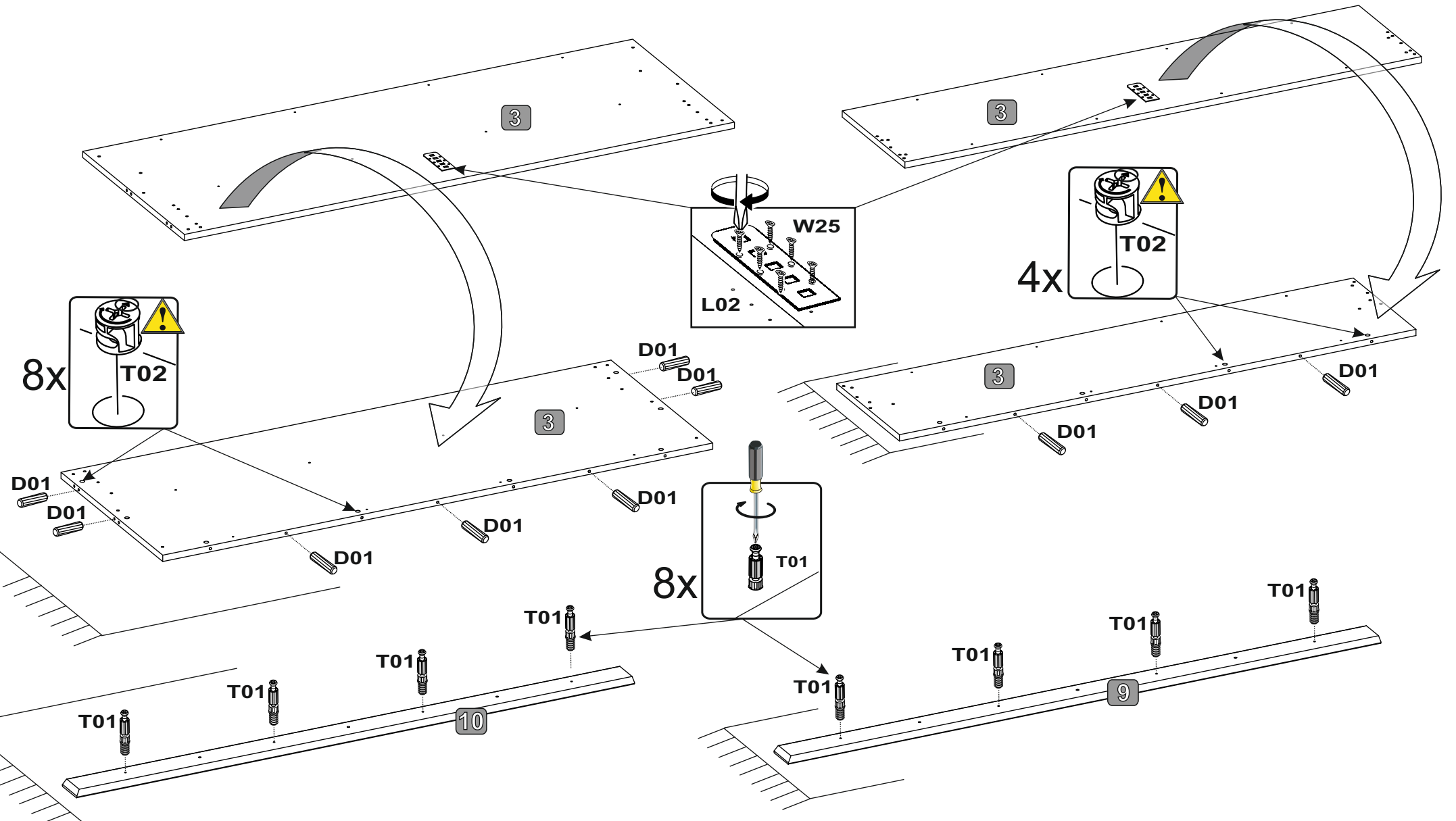


0 10 20 30 40 50 60 70 80 90 100 110 120 130 140 150 160 170 180 190 200

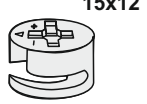
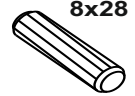
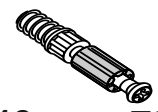



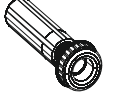


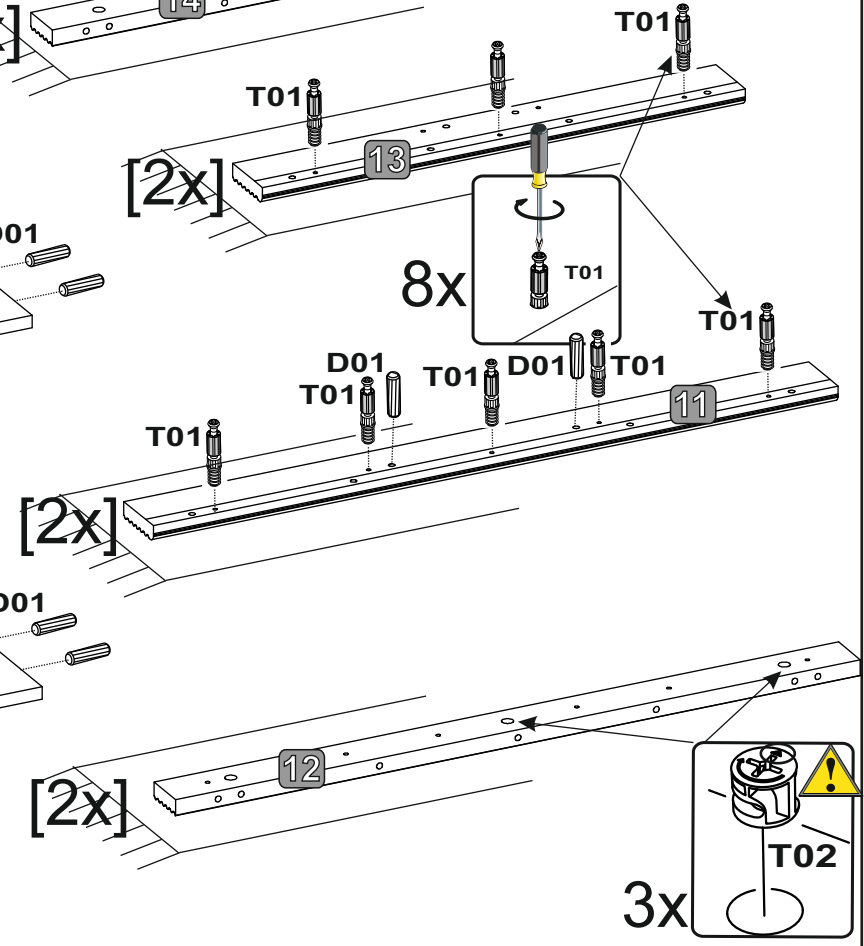
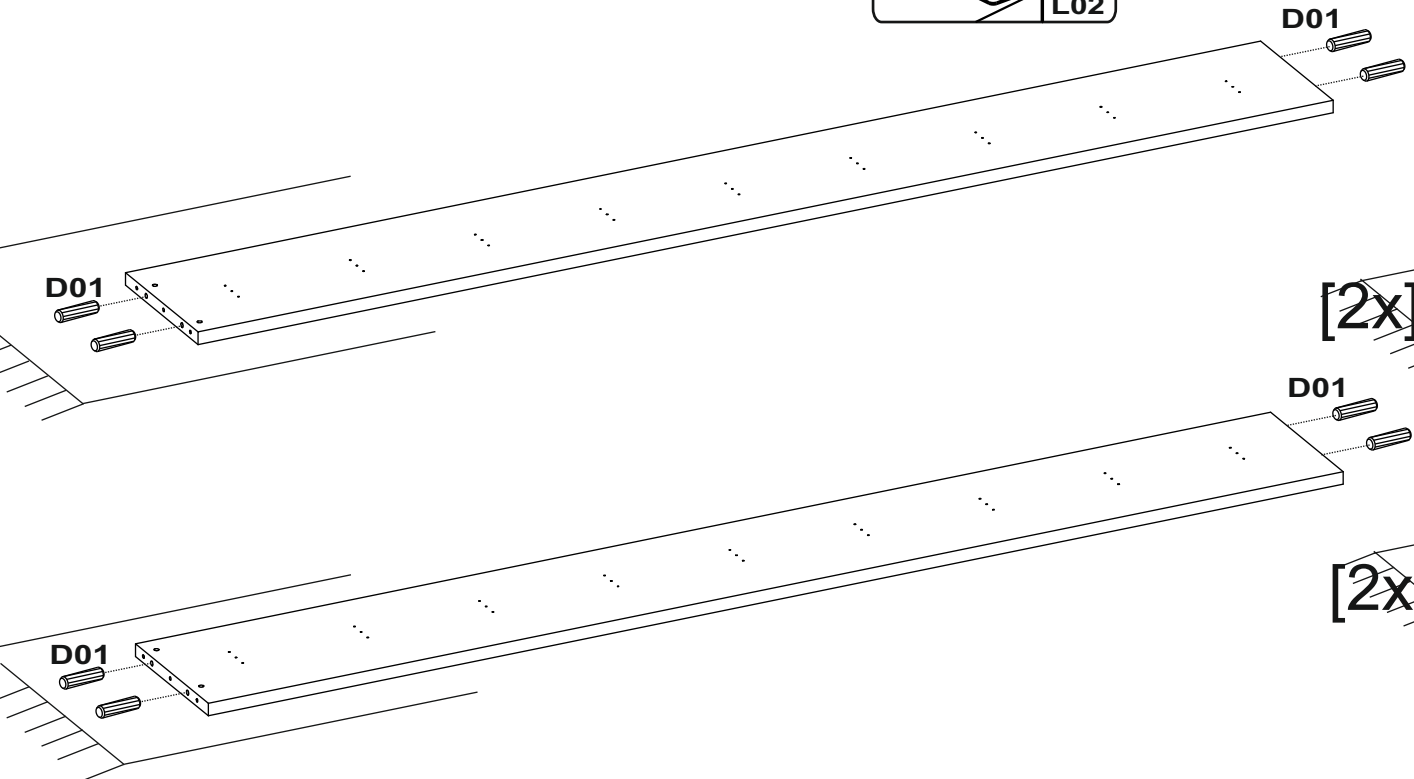
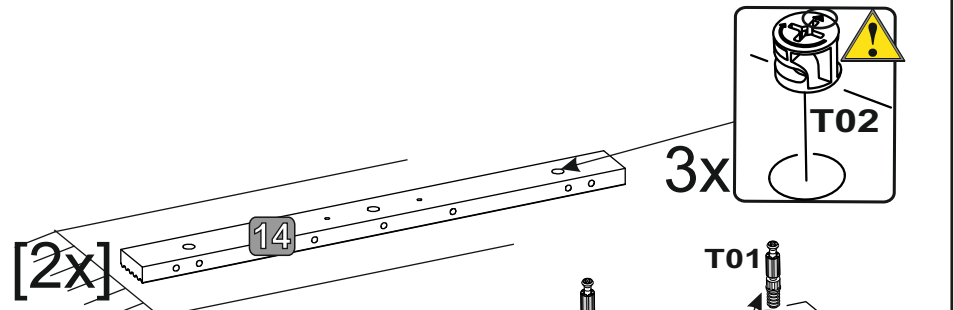
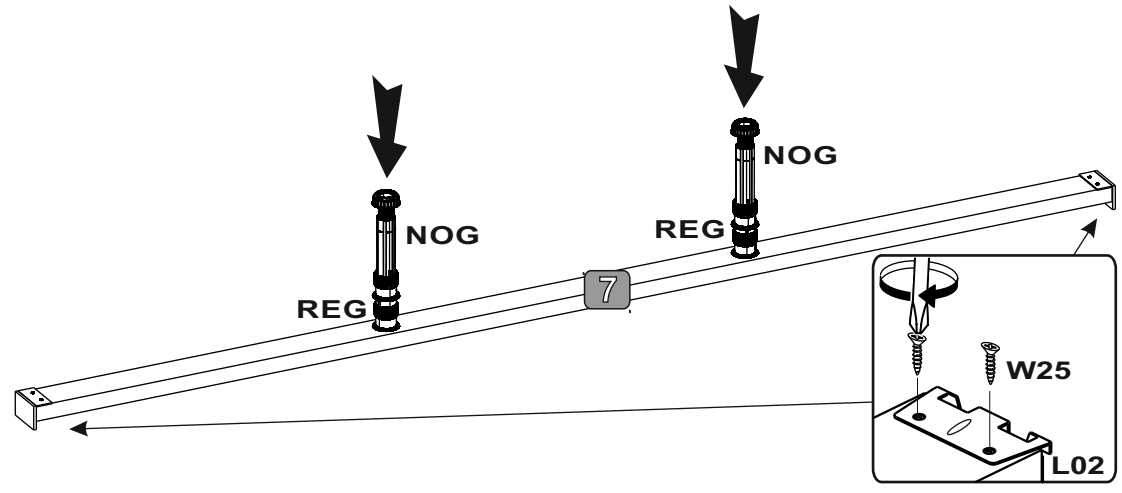
1

 8x T01	 8x28 D01	 15x12 T02	 4x16 W25	 2x L02
---	---	--	---	---



2

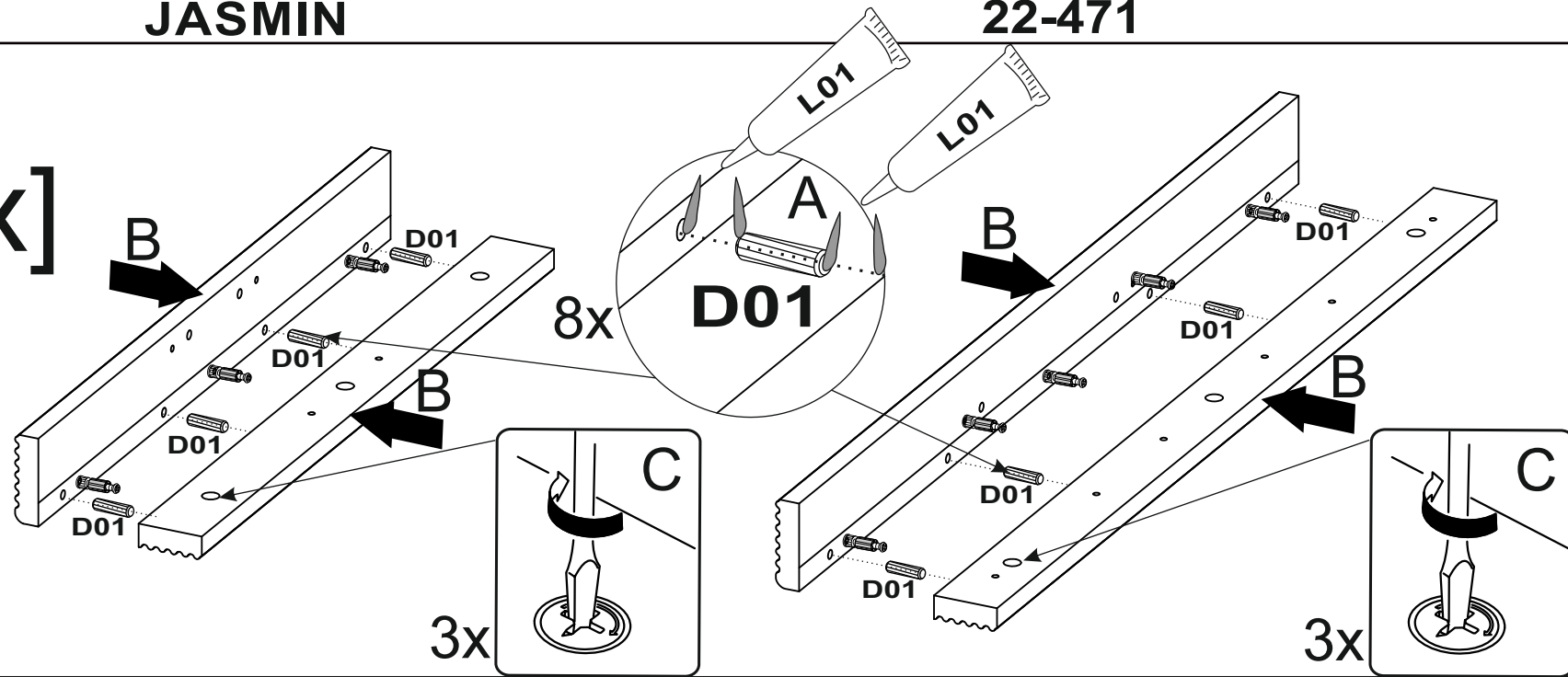
 15x12 12x T02	 8x28 12x D01	 16x T01	 4x16 4x W25	 2x L02	 4x REG	 2x NOG
---	--	--	---	---	---	---



3x

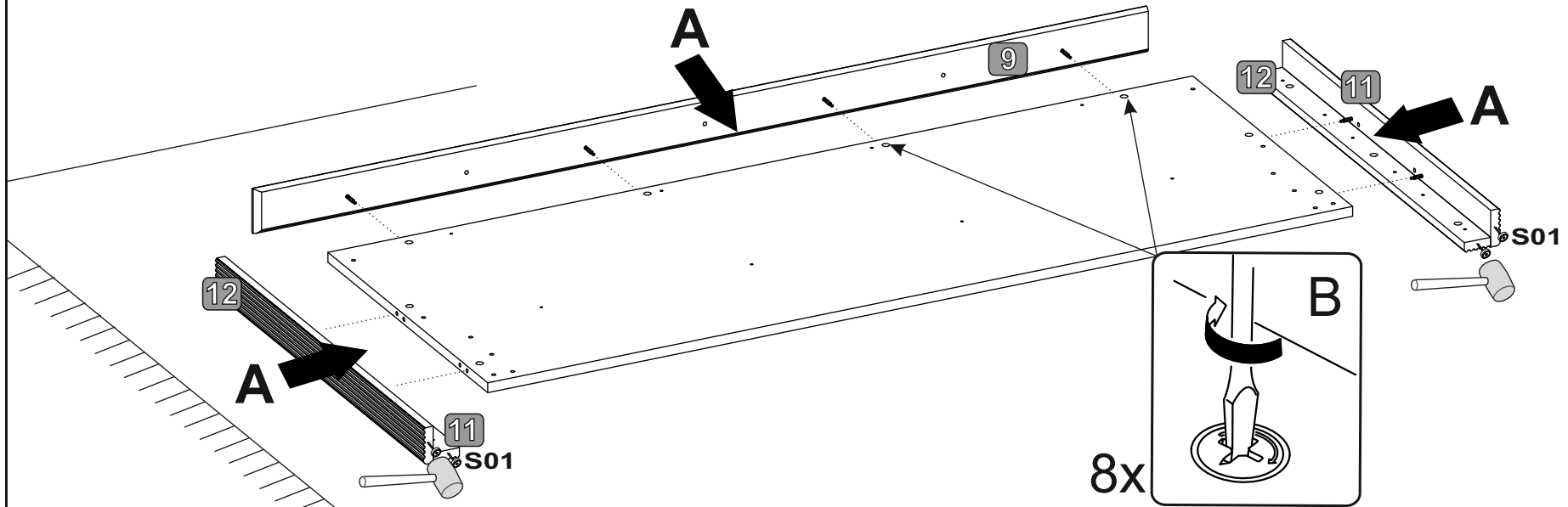
3

[2x]



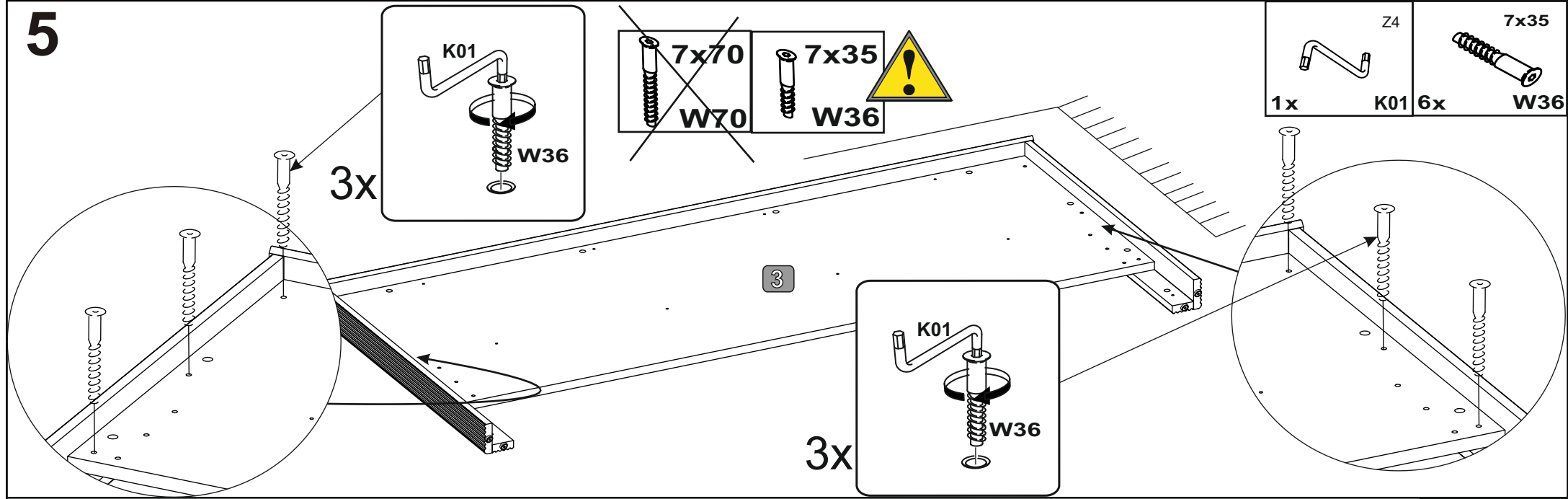
- 8x28
- 16x D01
- 2x L01

4

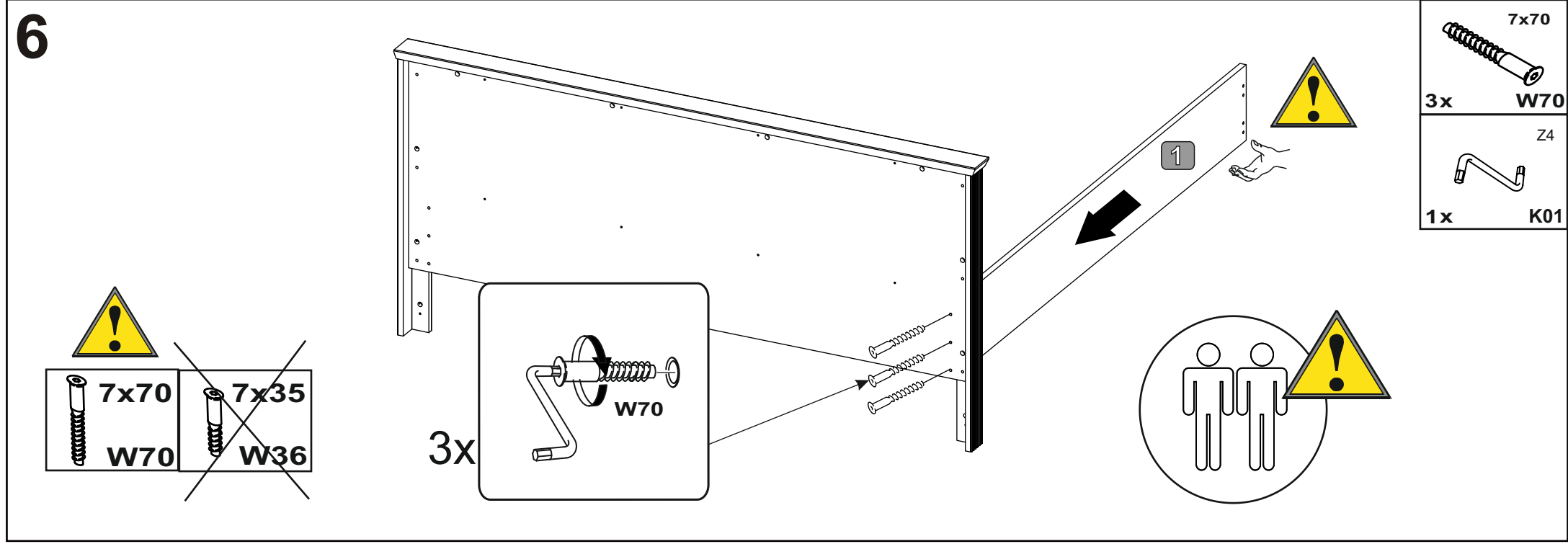


- 8x S01

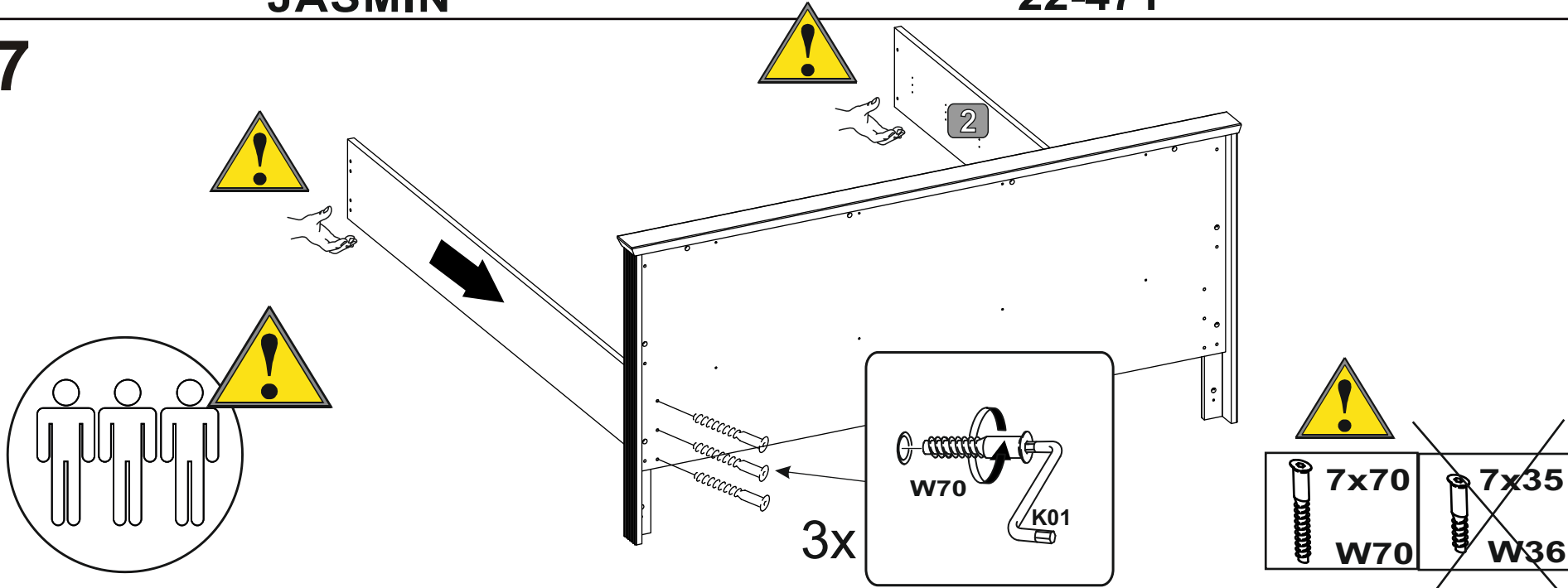
5



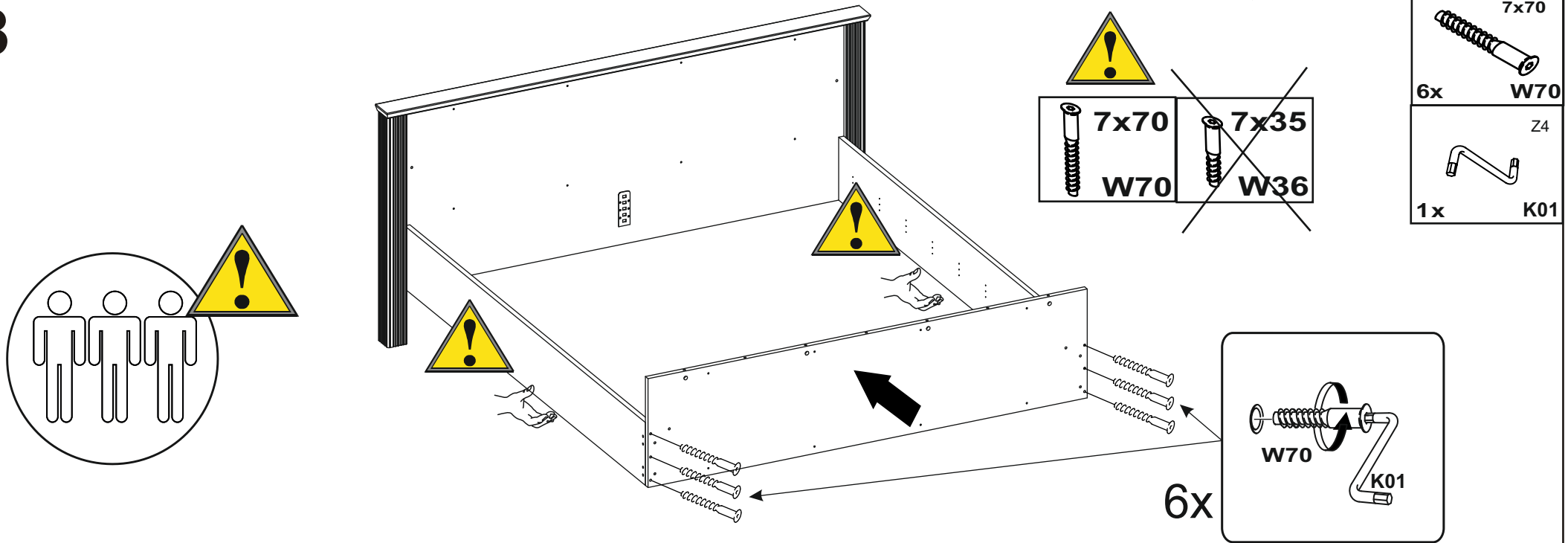
6



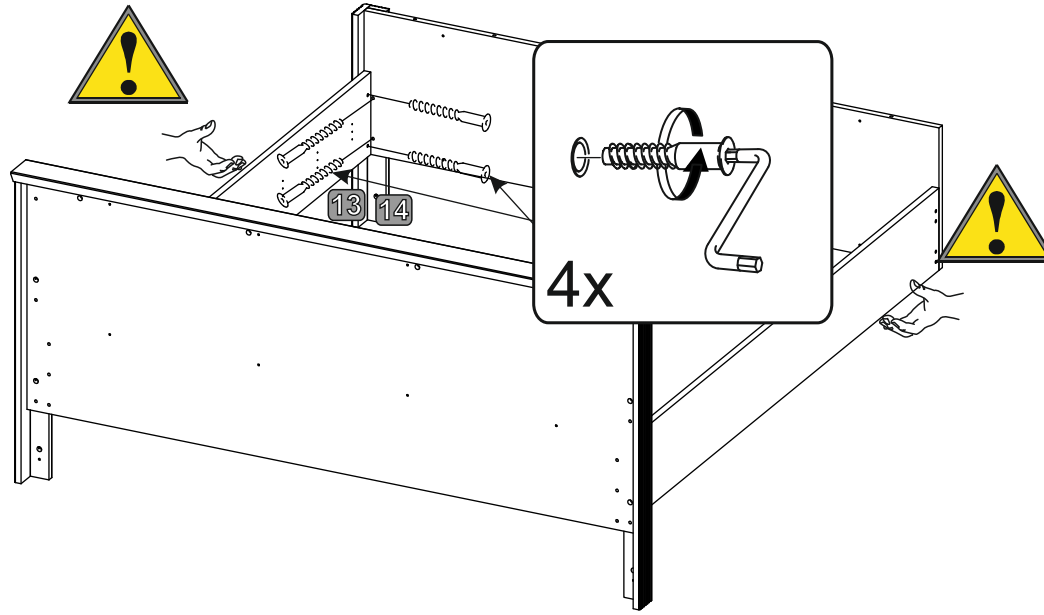
7



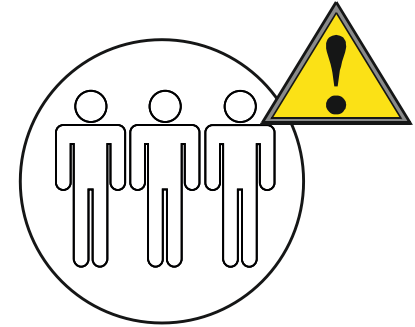
8



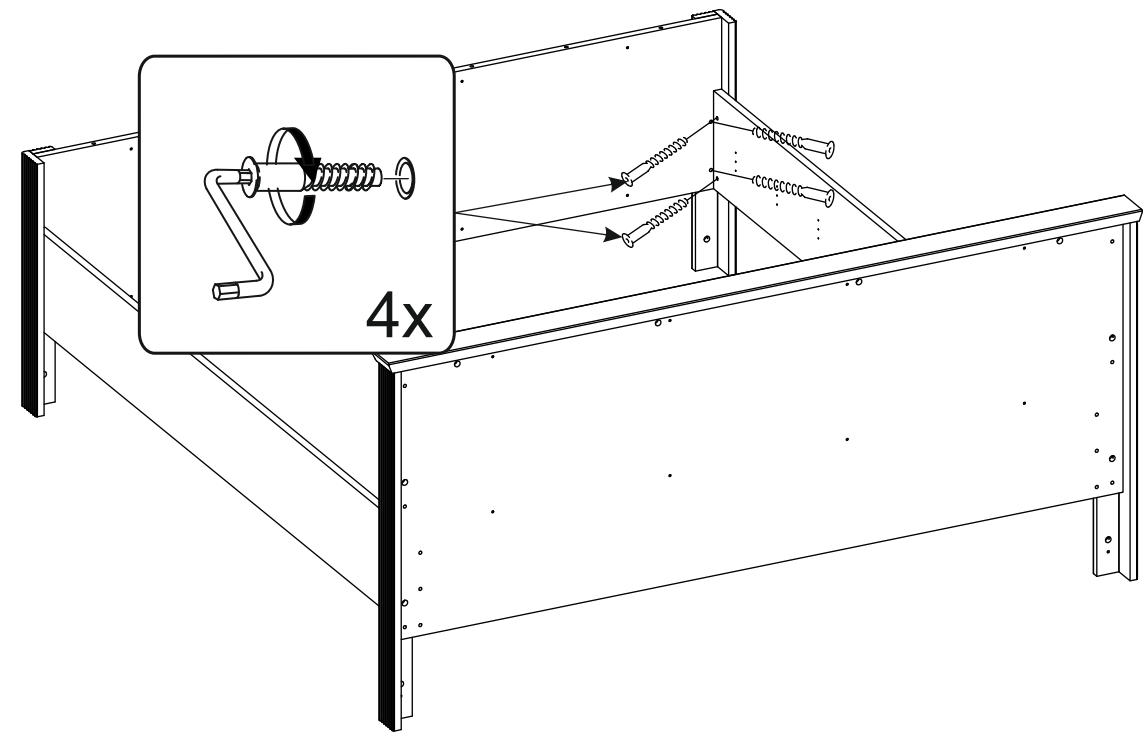
9



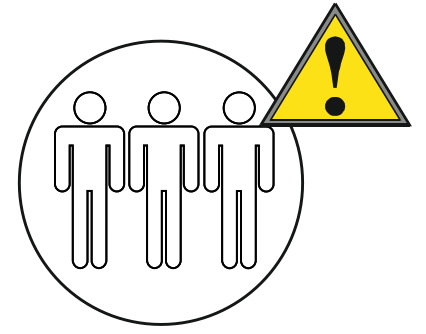
	Z4	7x35
1x	K01	4x W36



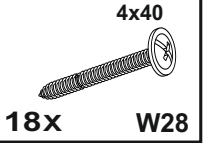
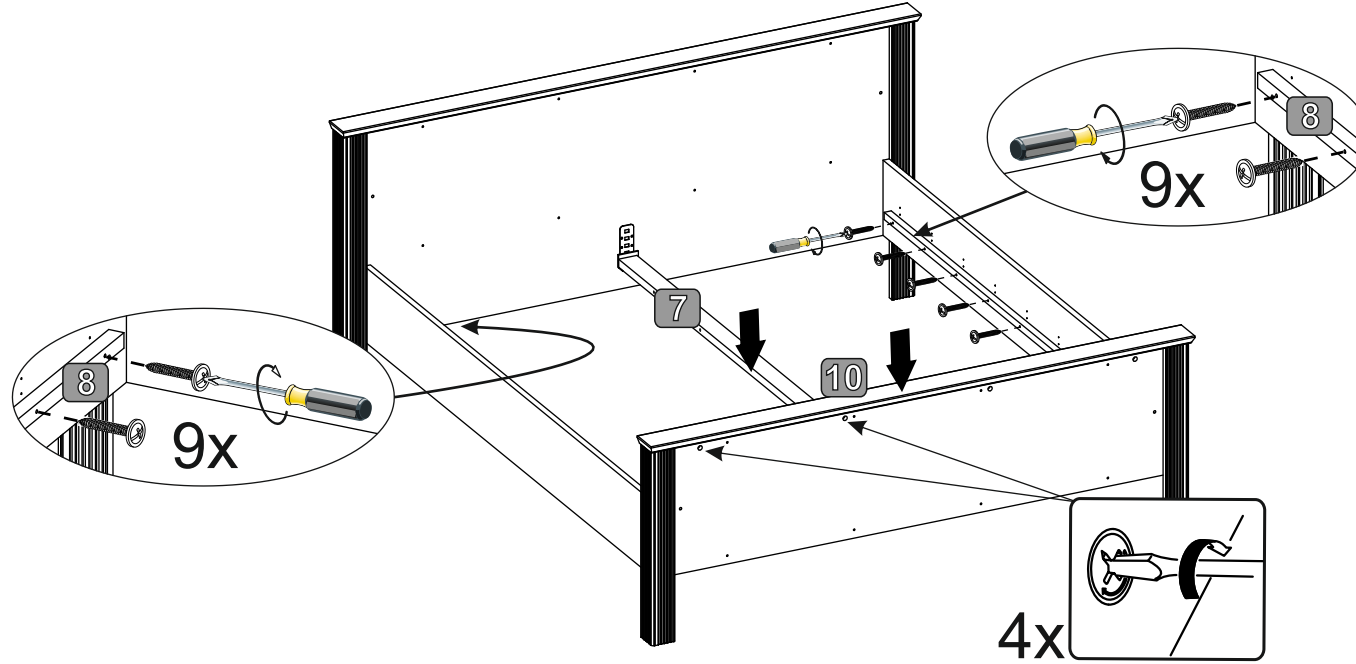
10



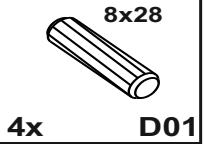
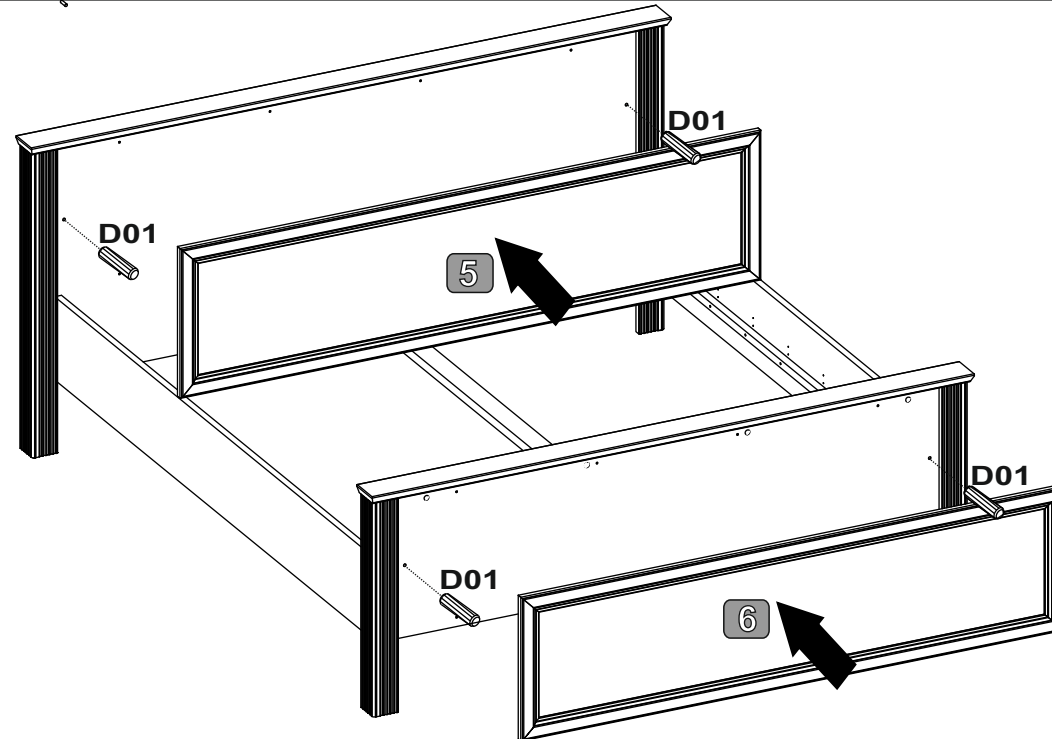
	Z4	7x35
1x	K01	4x W36



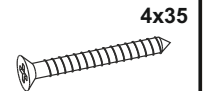
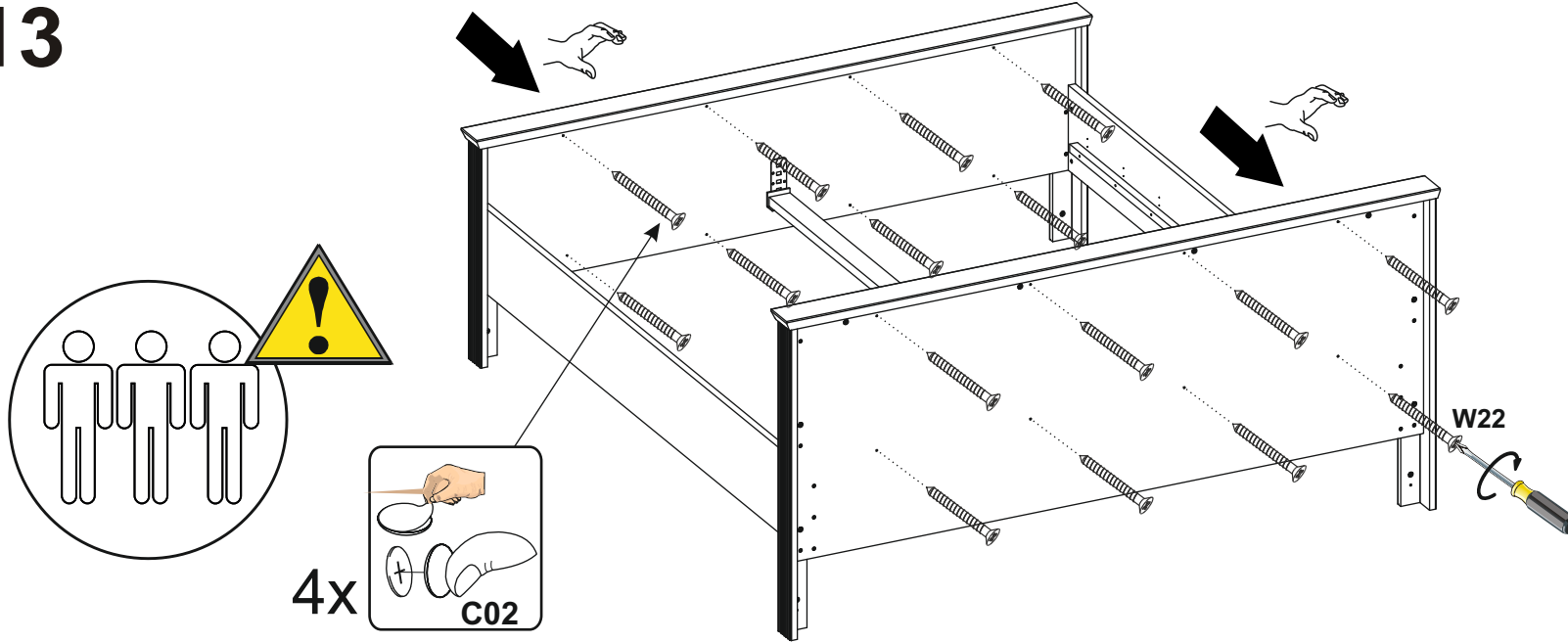
11



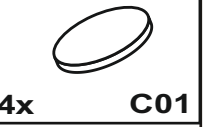
12



13



16x W22



14

