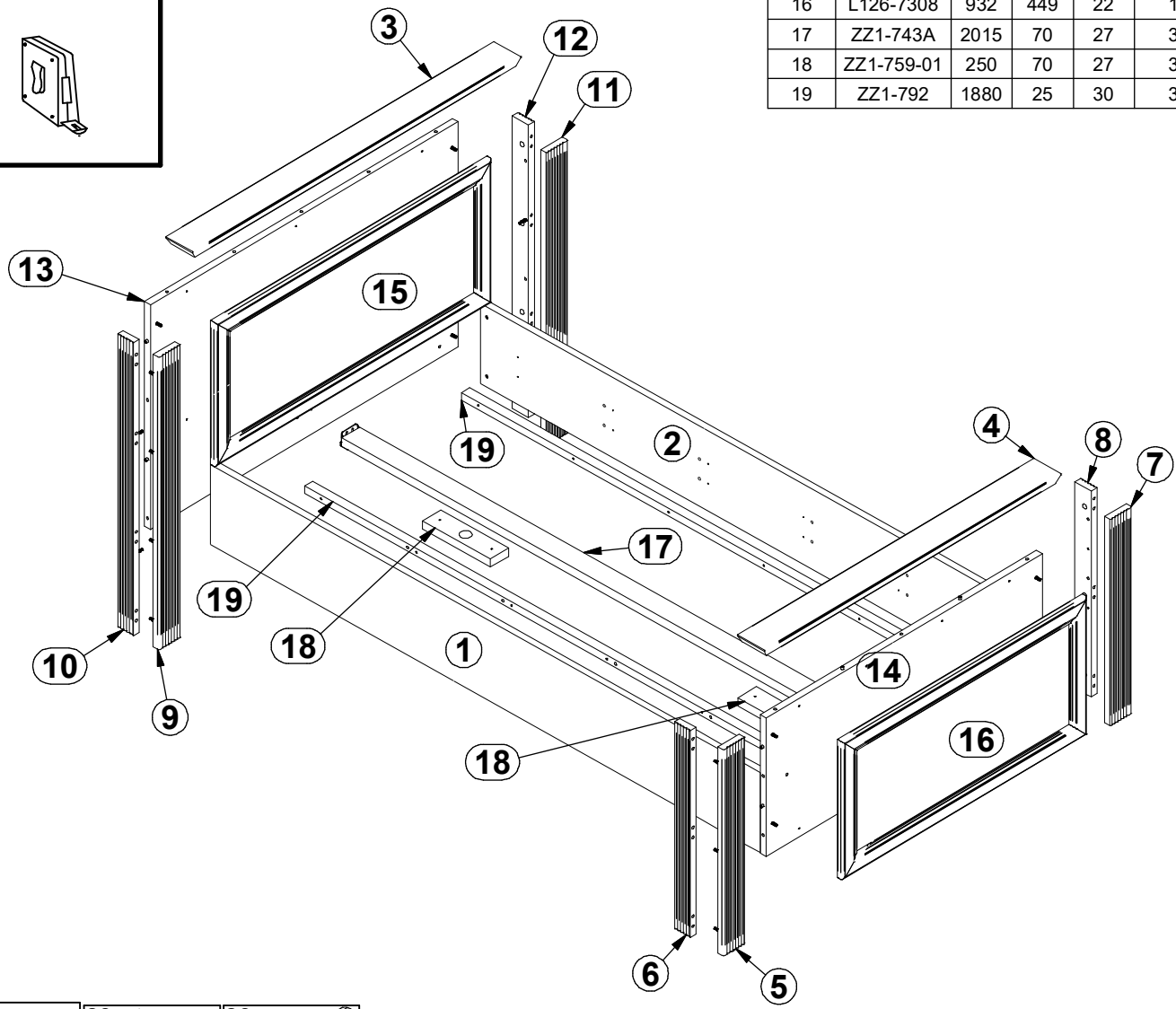
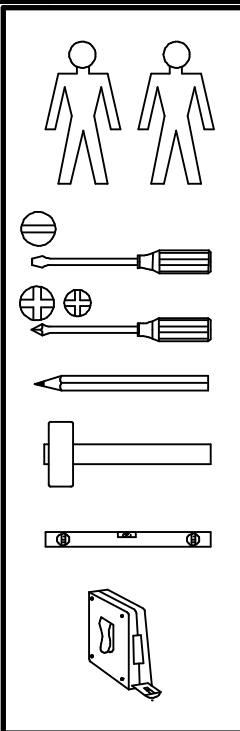
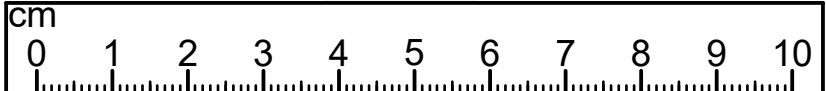


A	B	C1	C2	C3	D
1	L126-1001	2032	260	22	313
2	L126-1002	2032	260	22	313
3	L126-5007	1249	100	28	113
4	L126-5008	1129	100	28	113
5	L126-5801	670	82	22	113
6	L126-5802	670	60	22	113
7	L126-5803	670	82	22	113
8	L126-5804	670	60	22	113
9	L126-5805	950	82	22	113
10	L126-5806	950	60	22	113
11	L126-5807	950	82	22	113
12	L126-5808	950	60	22	113
13	L126-7007	1172	730	22	213
14	L126-7008	1052	450	22	213
15	L126-7307	1052	468	22	113
16	L126-7308	932	449	22	113
17	ZZ1-743A	2015	70	27	313
18	ZZ1-759-01	250	70	27	313
19	ZZ1-792	1880	25	30	313

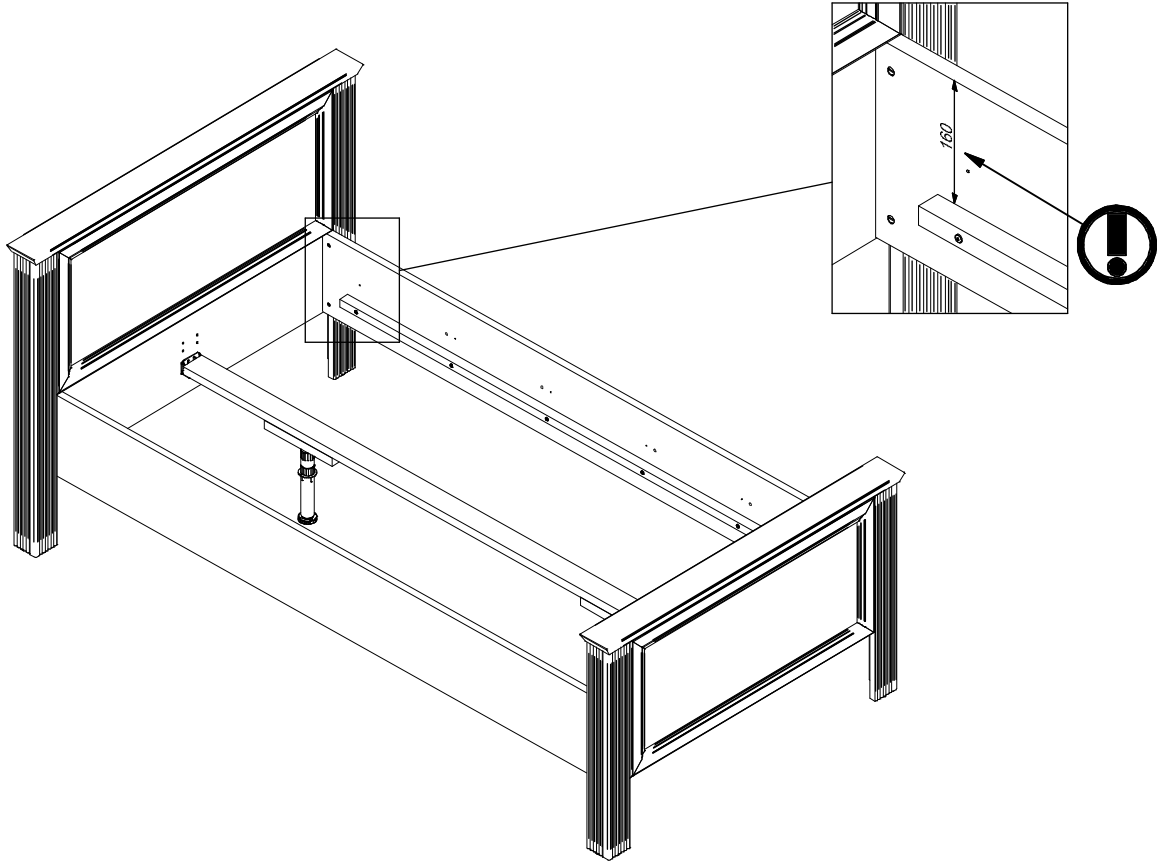


4x Ø10x16 mm r43	28x Ø15x15 mm #22 r3	28x 20/11 r42
6x Ø3.5x25 mm p16	16x Ø4x45 mm p11	14x Ø4x35 mm p6
2x n3411	2x n3412	2x 130x34x34/2 mm n63
42x Ø8x30 mm f1	4x M6x65 mm j132	8x k1
12x Ø7x35 mm e26	8x Ø6x13 mm e3	16x Ø6.3x16 mm e7

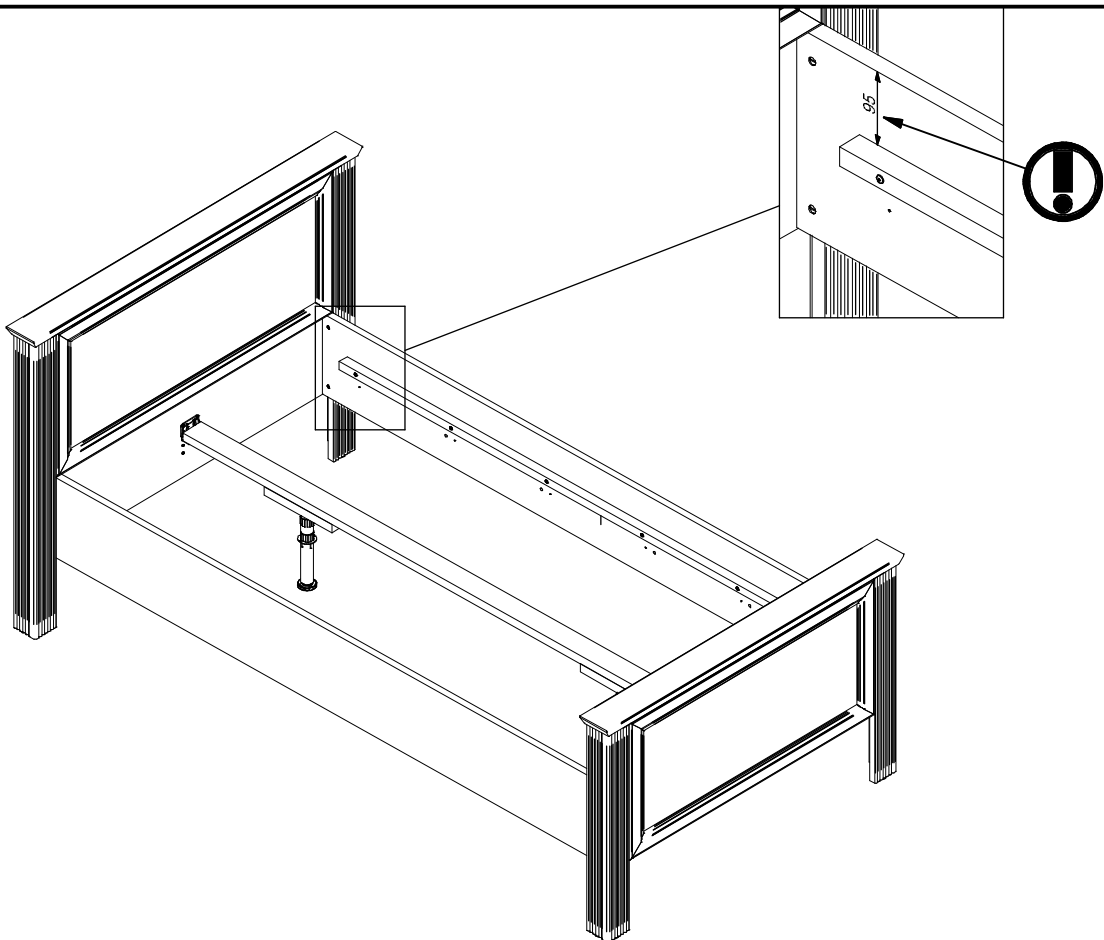
1x z1	5x Ø20mm s68	6x Ø14x0.5 mm s59
2x k2413	4x k2414	2x k2412



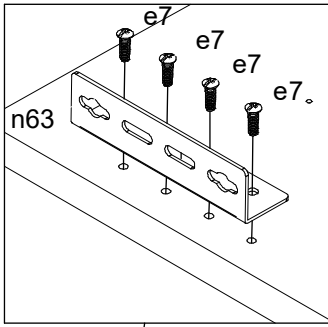
**A**



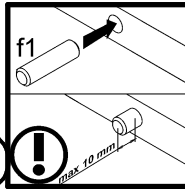
**B**



1

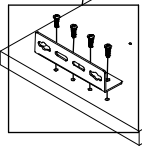


2x

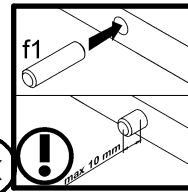


1

108  
82



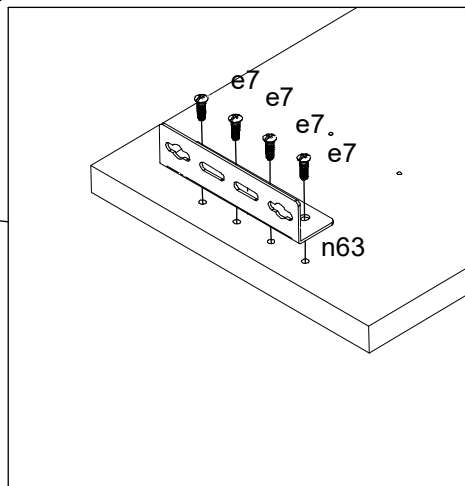
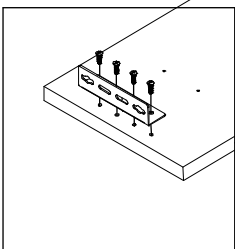
2x



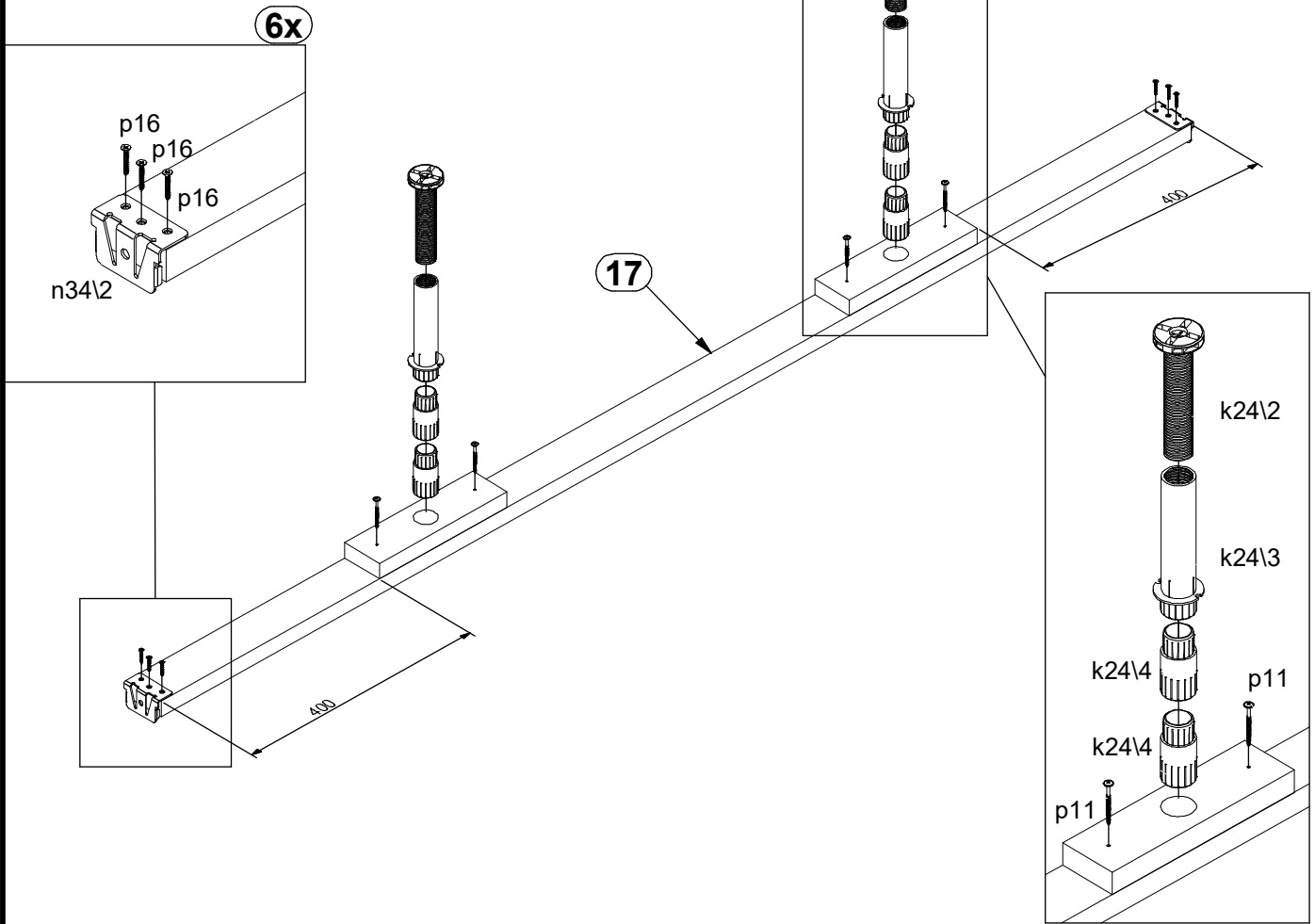
2

82  
108

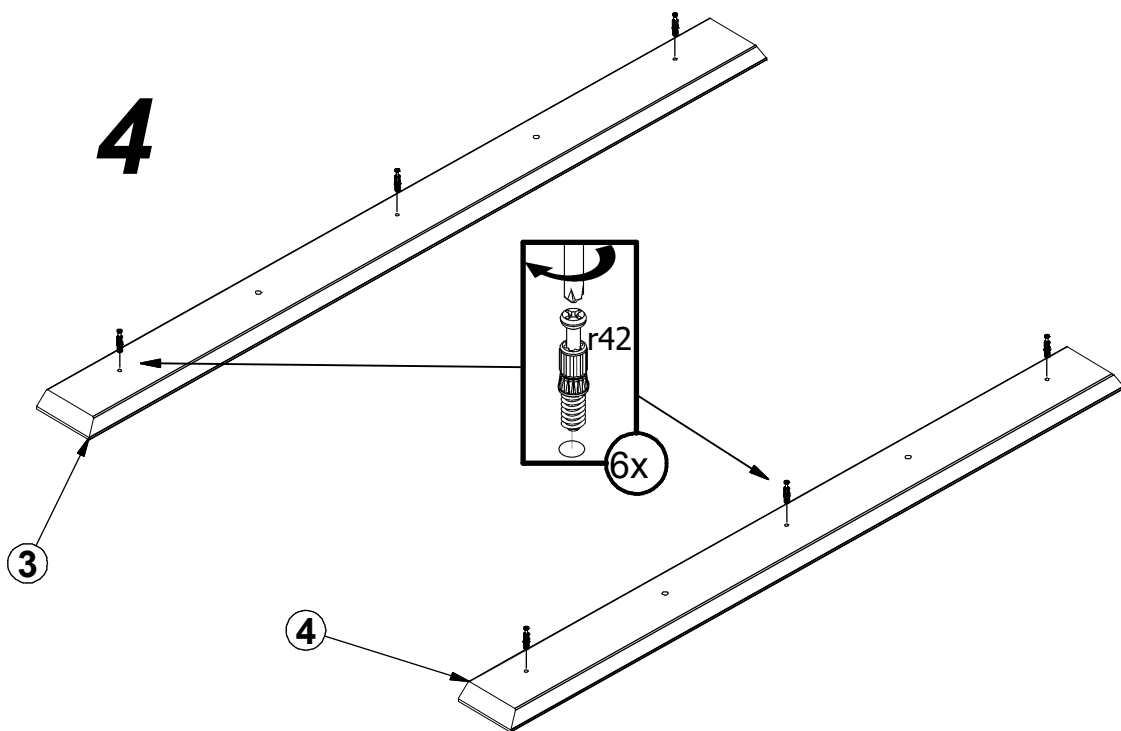
2

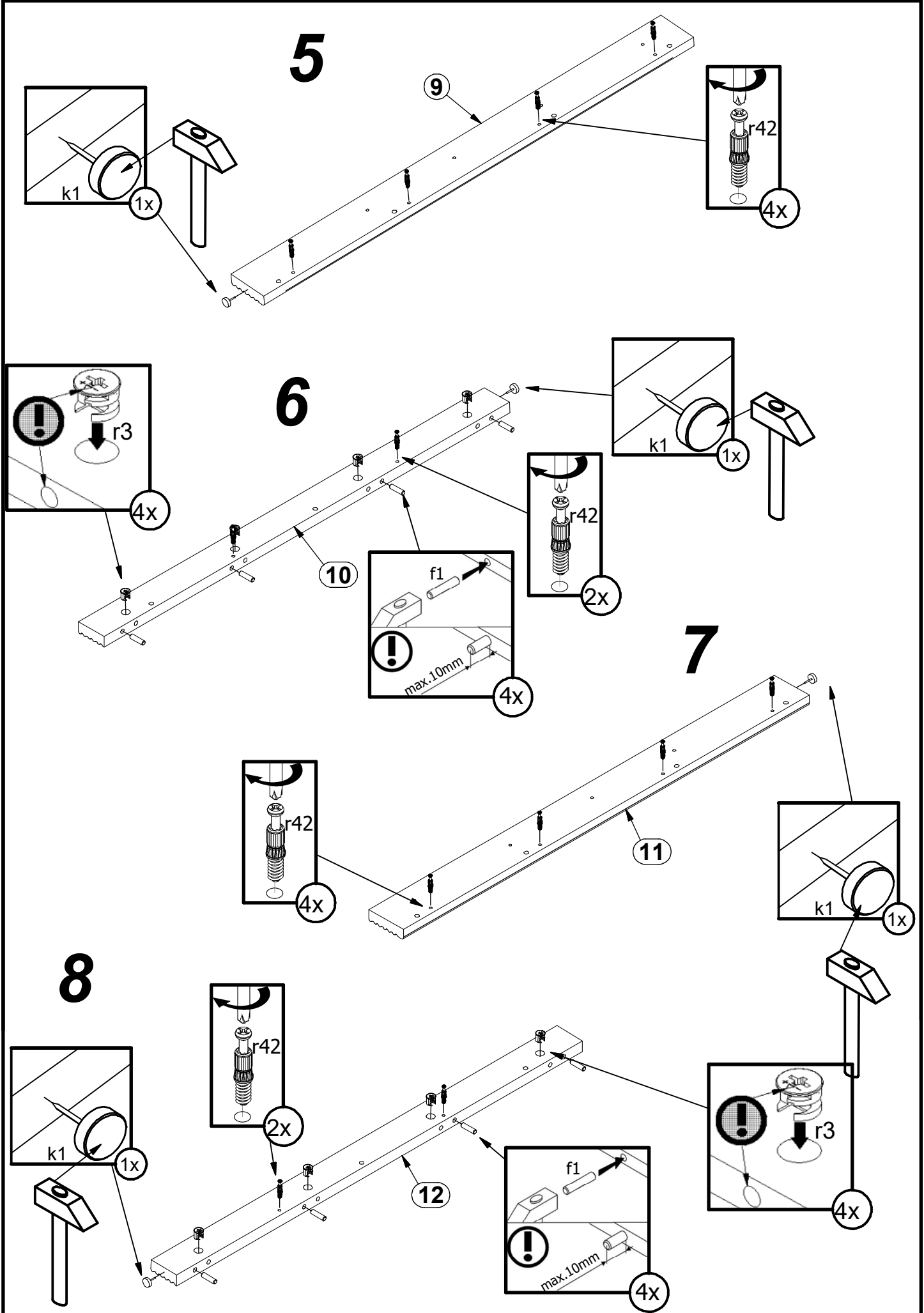


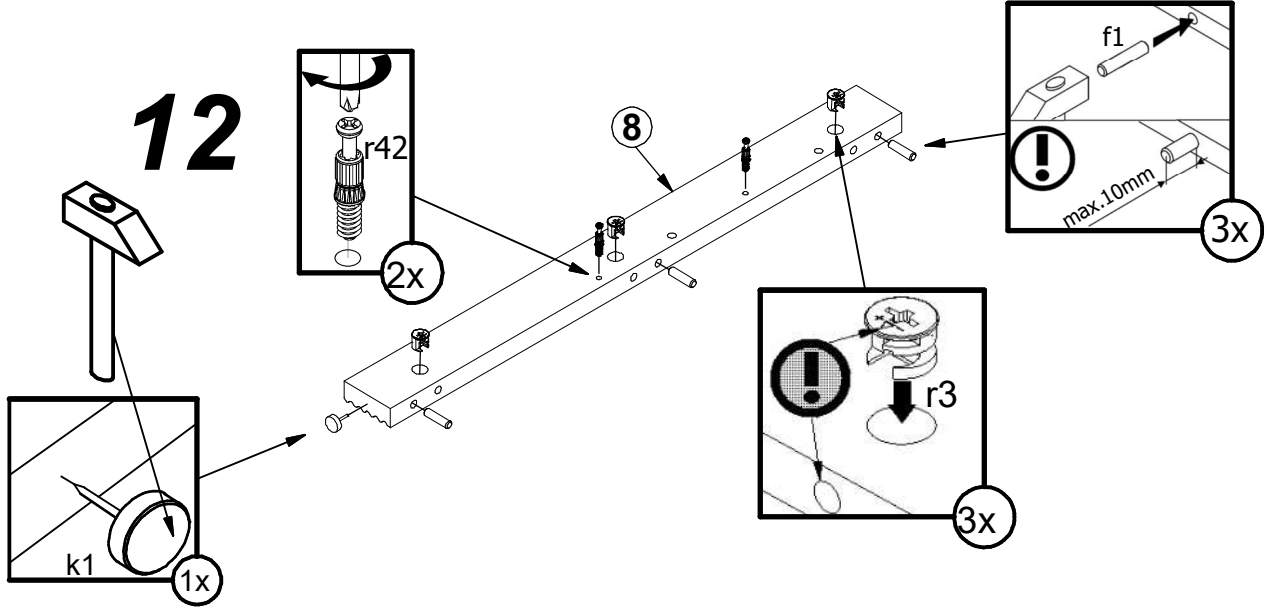
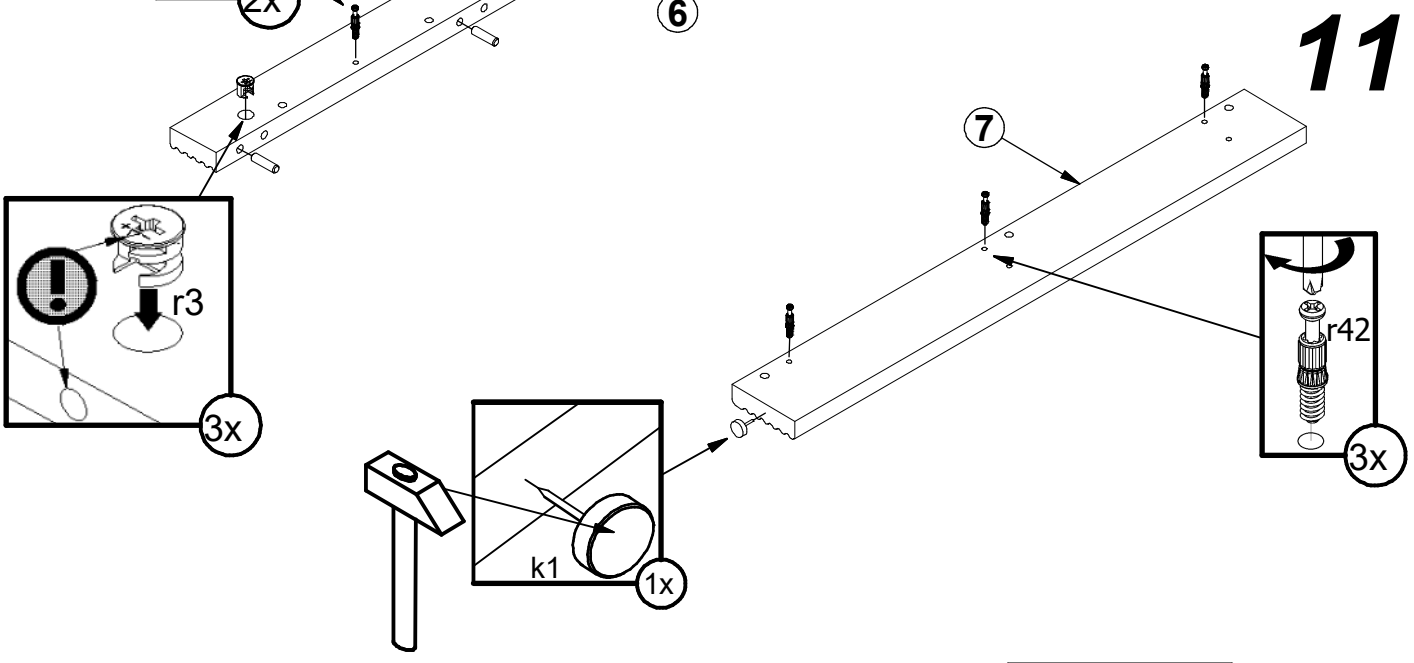
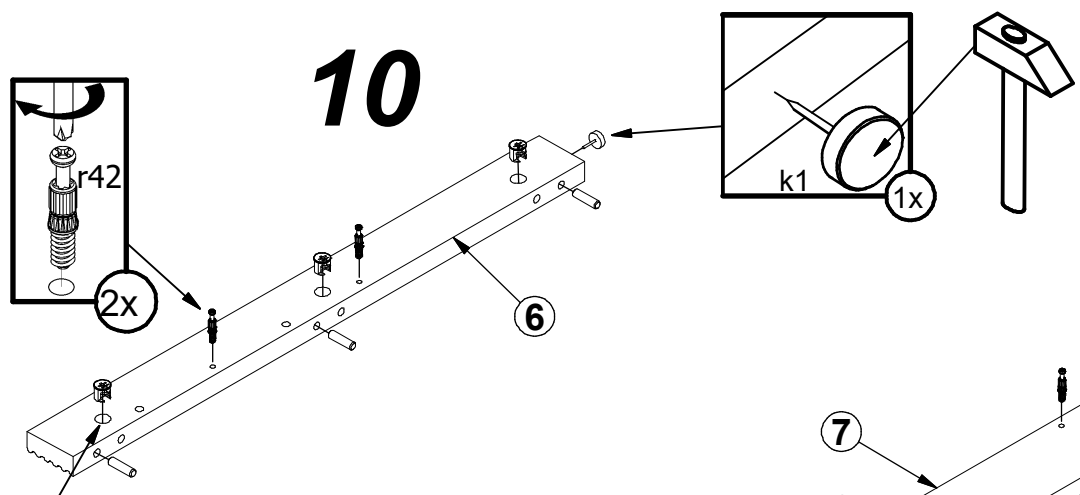
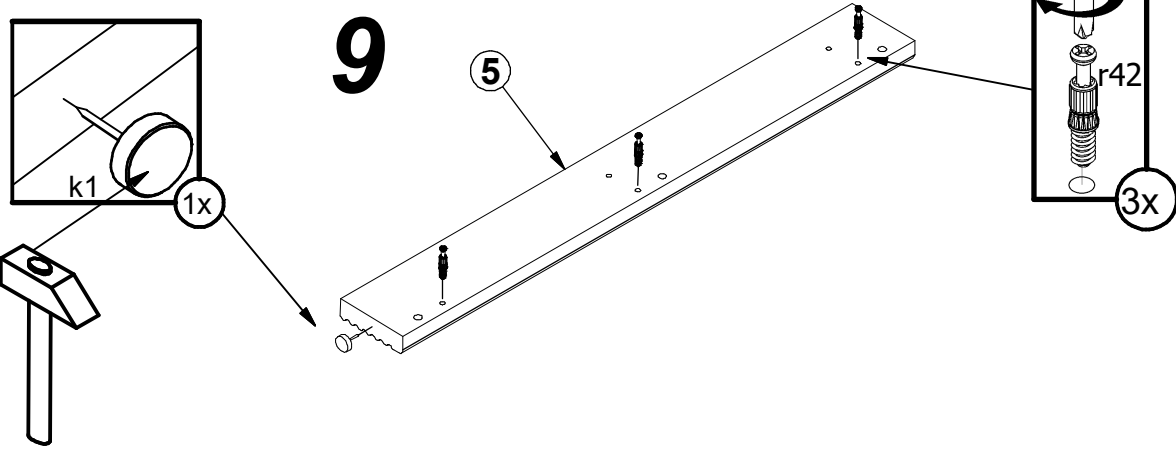
3

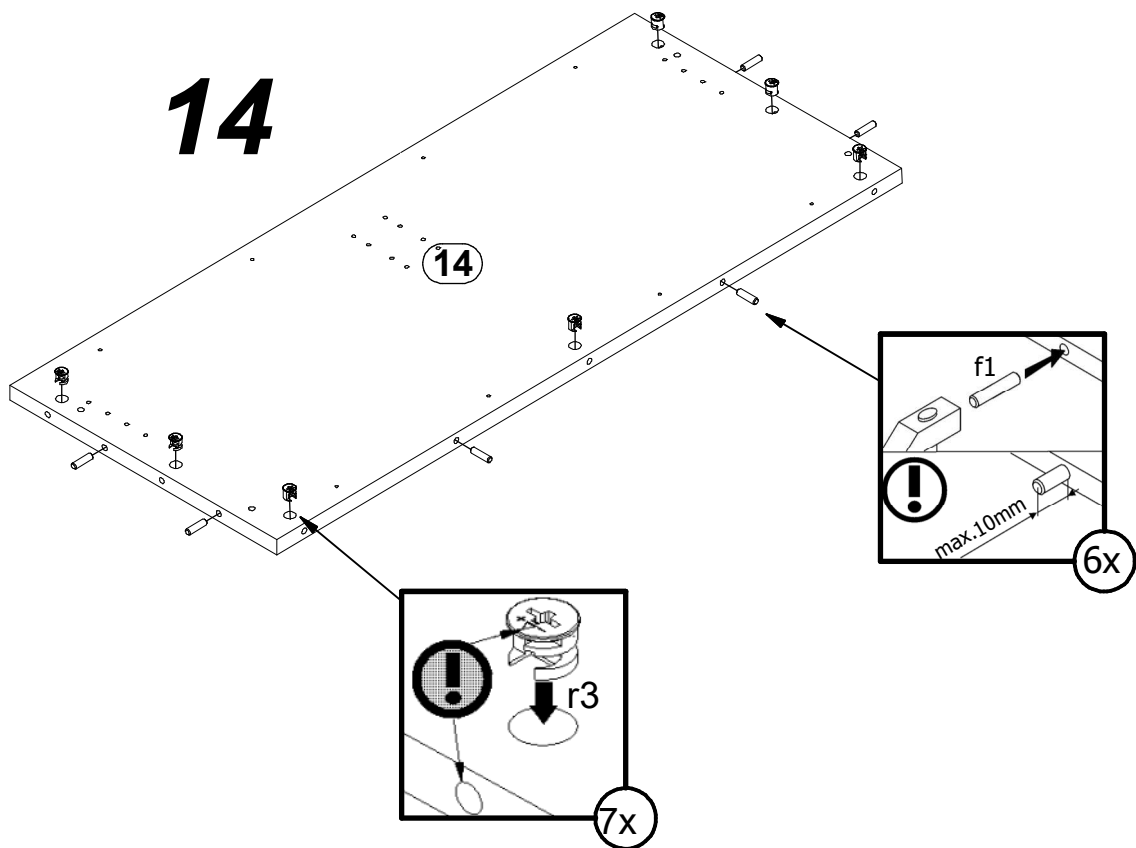
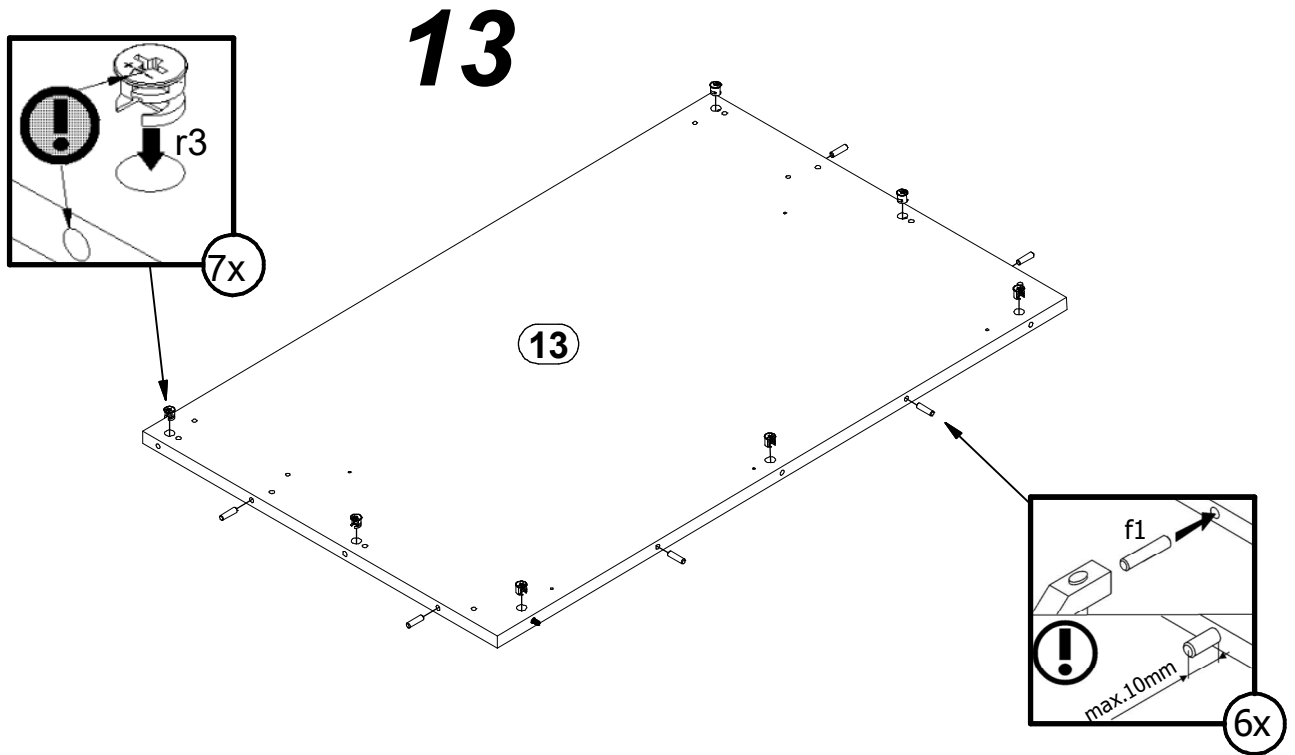


4



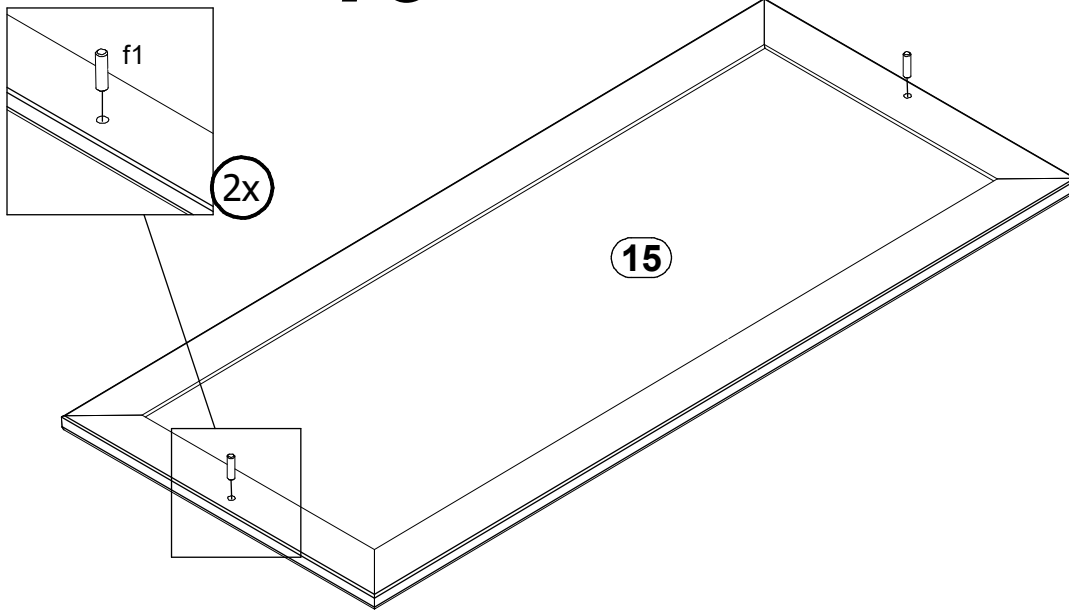




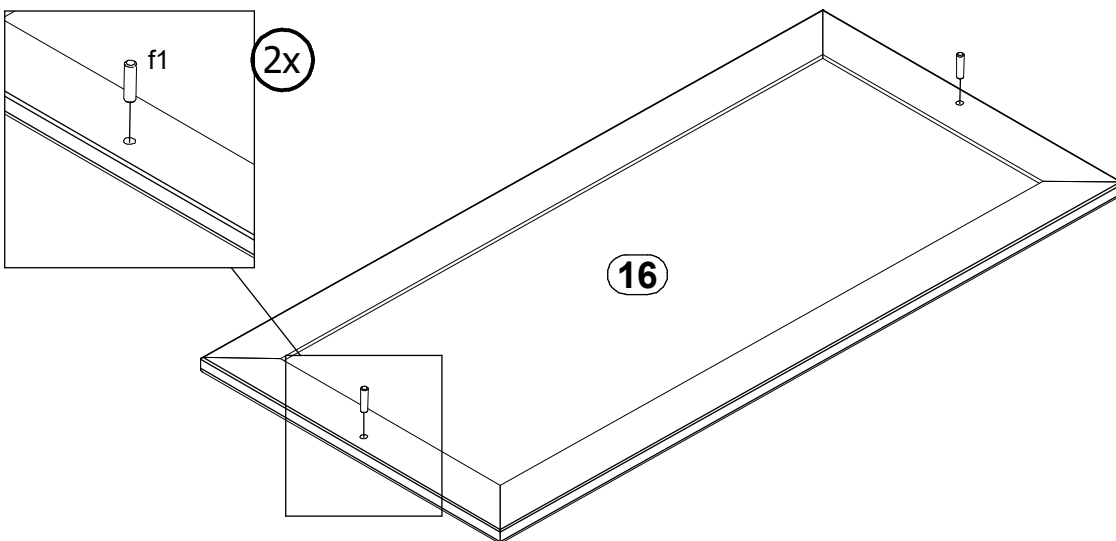




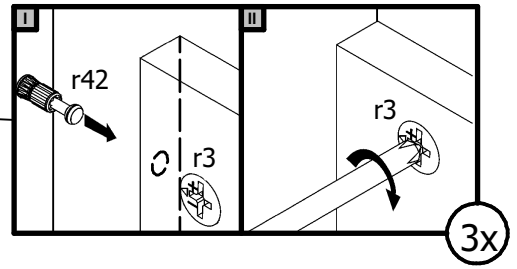
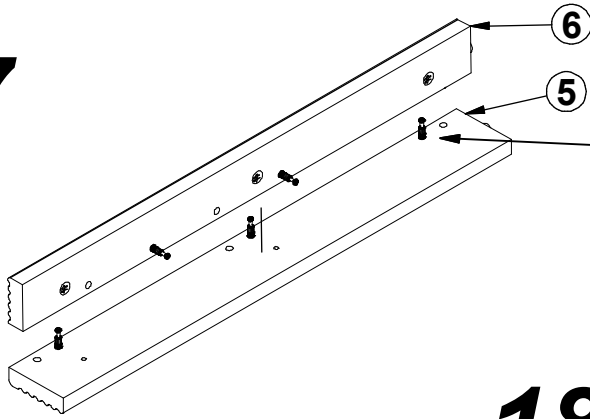
15



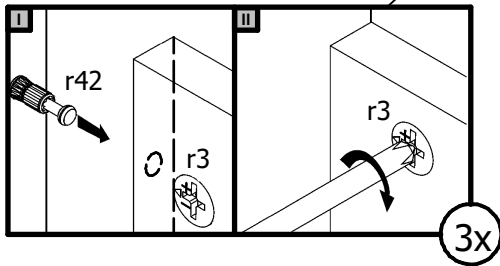
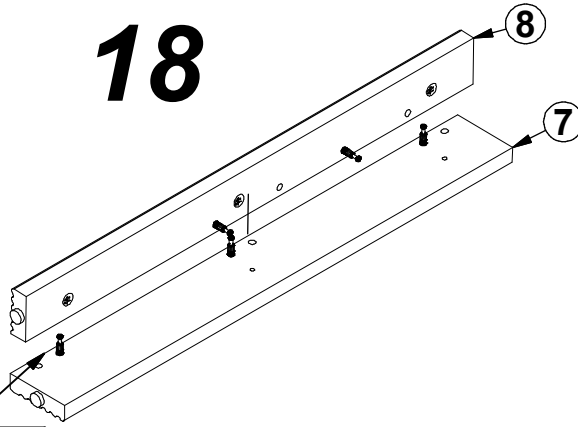
16



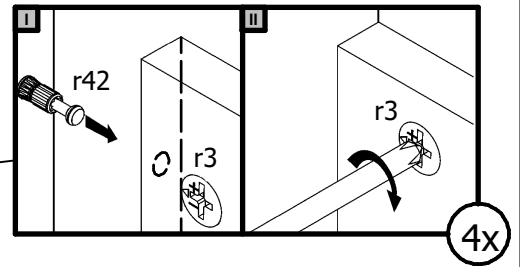
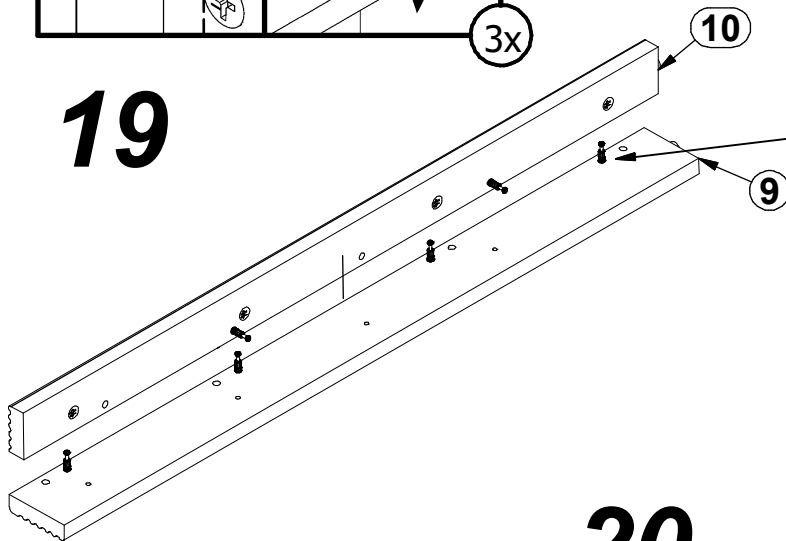
17



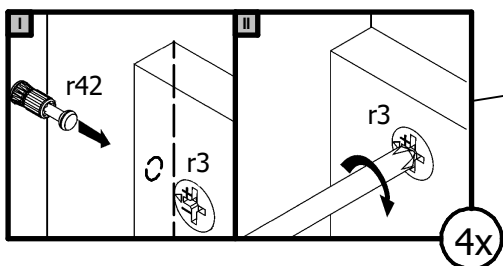
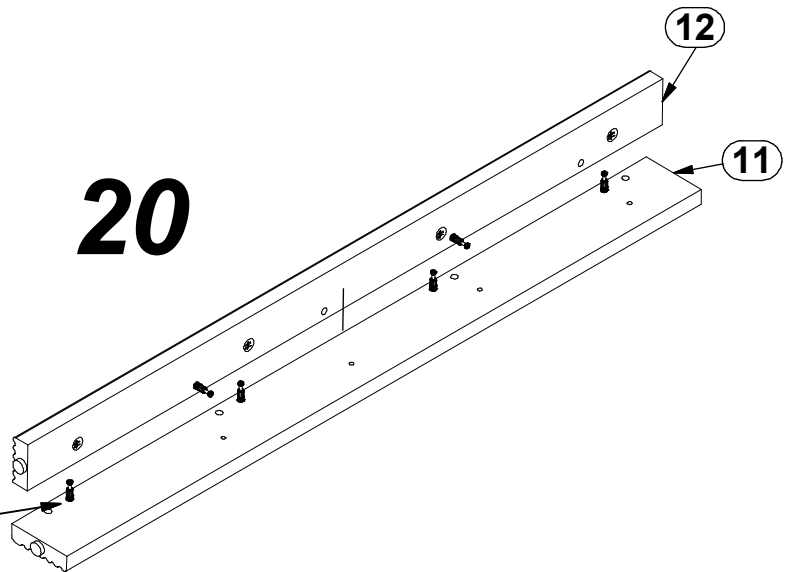
18



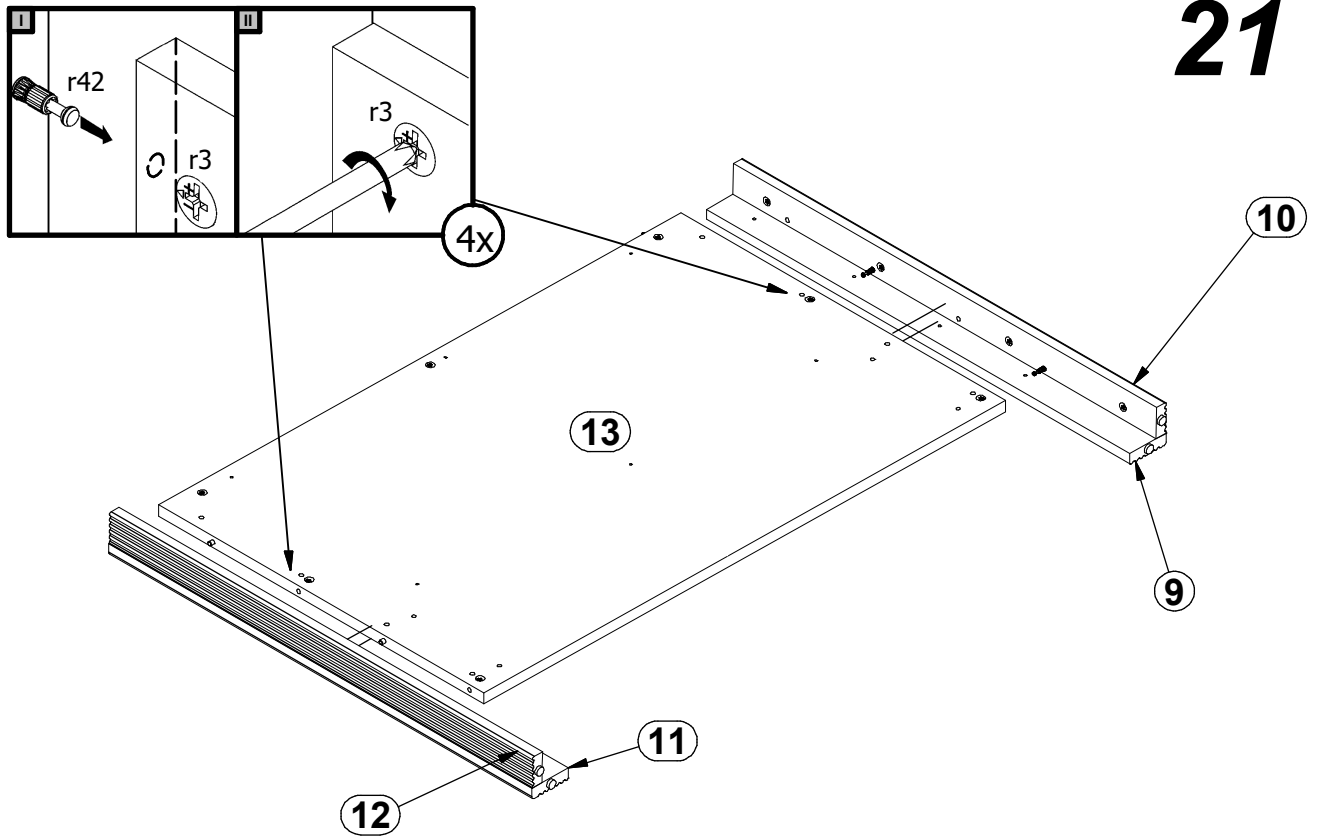
19



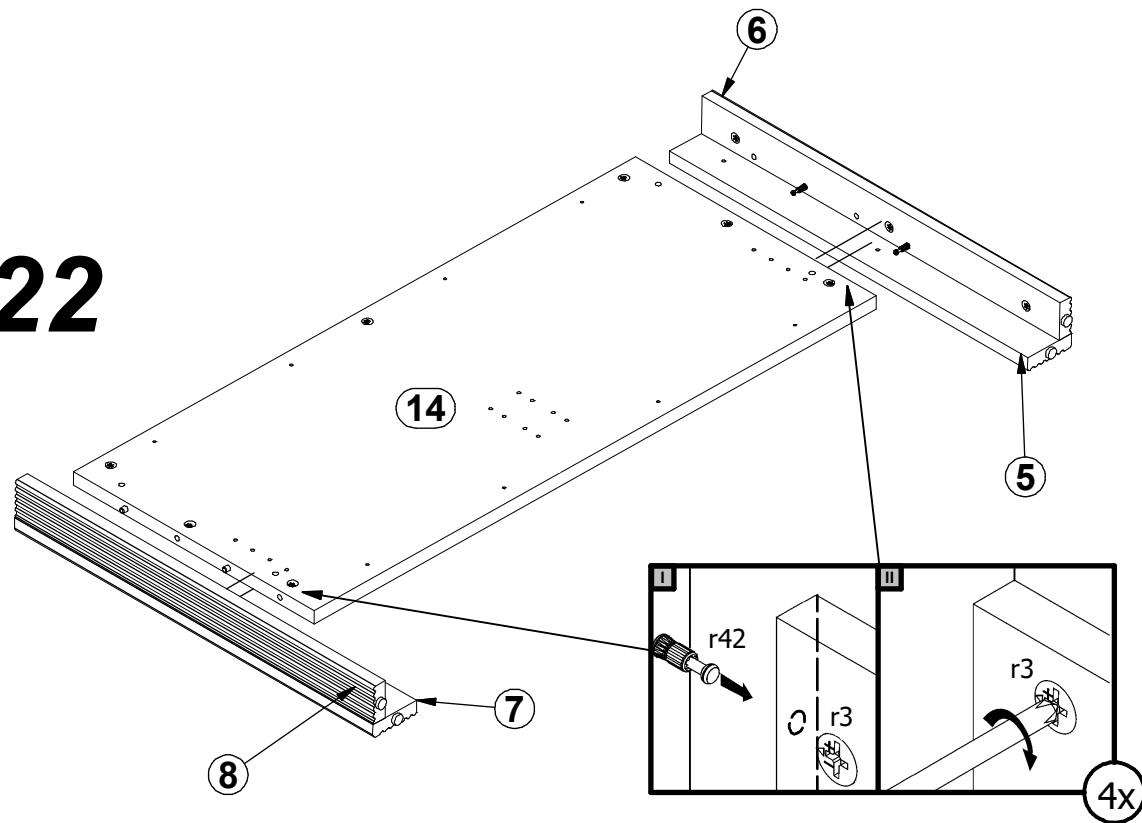
20



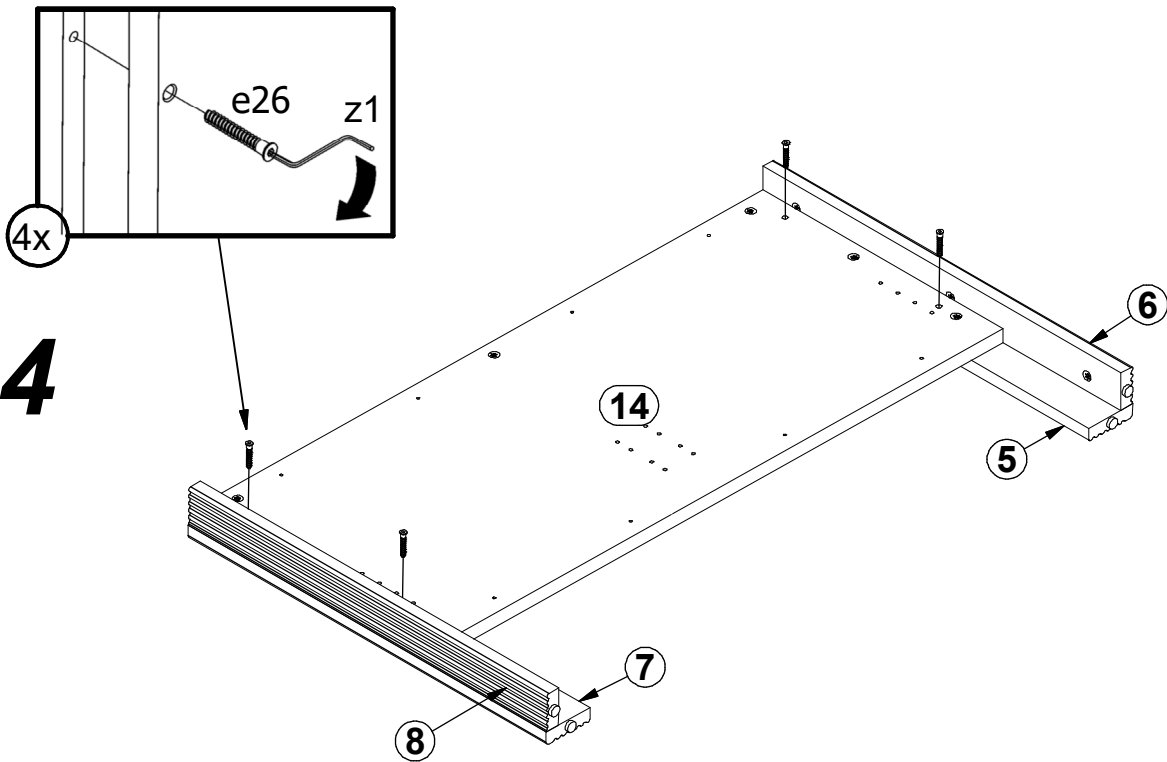
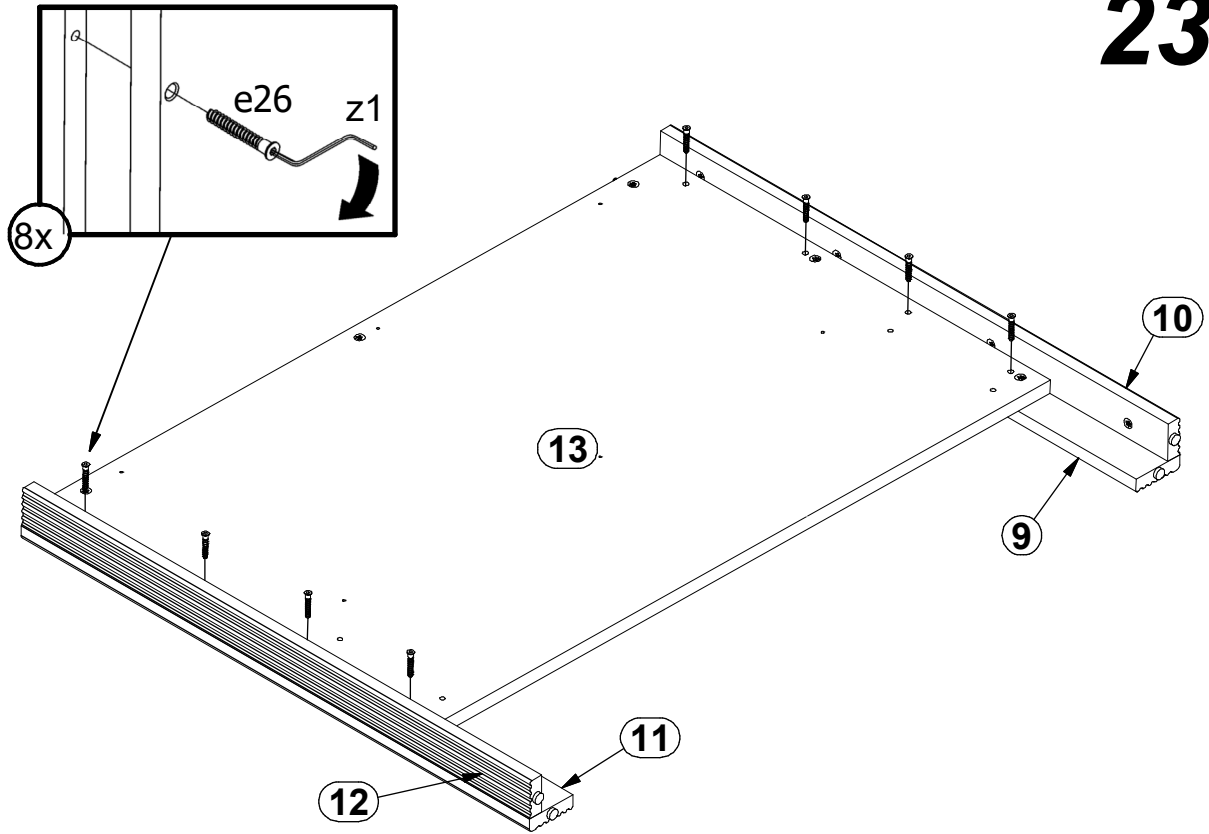
21



22

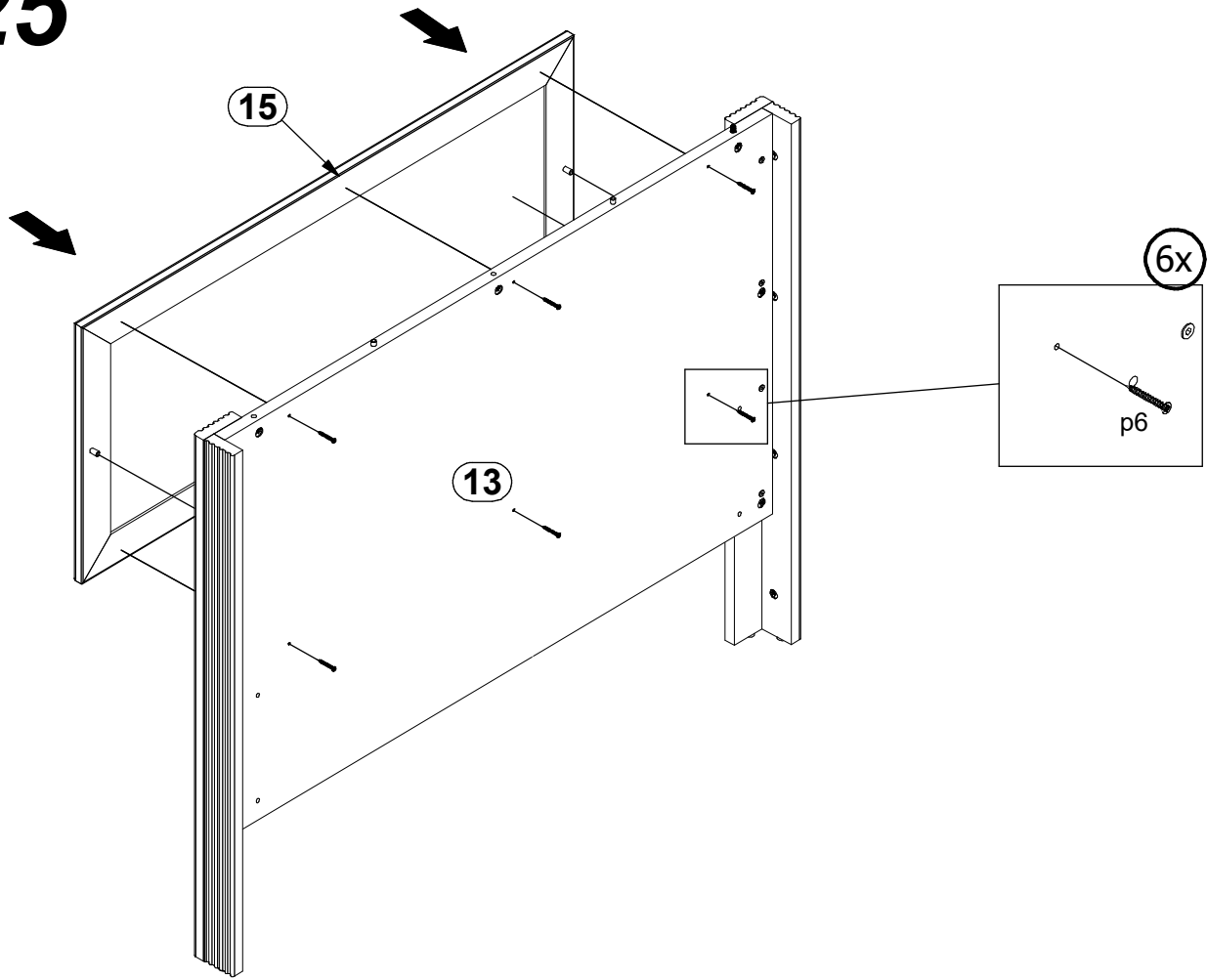


# 23

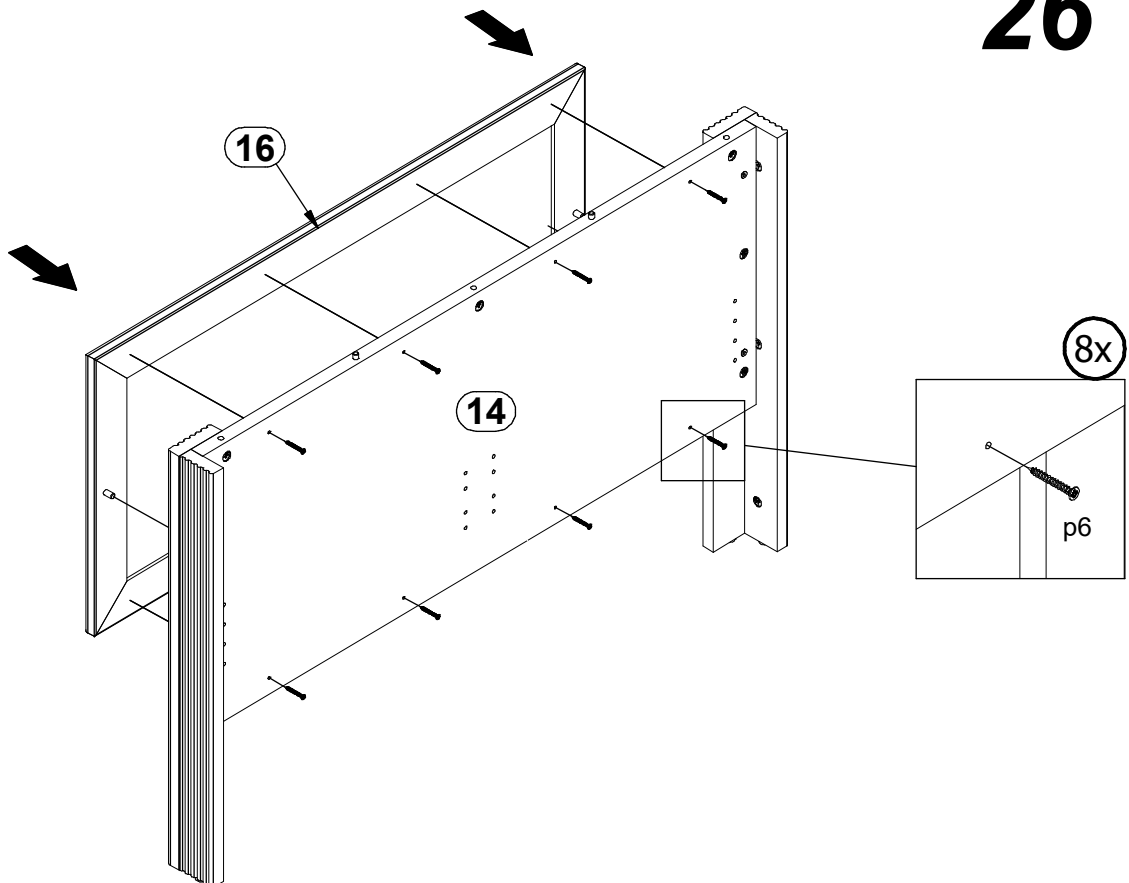


# 24

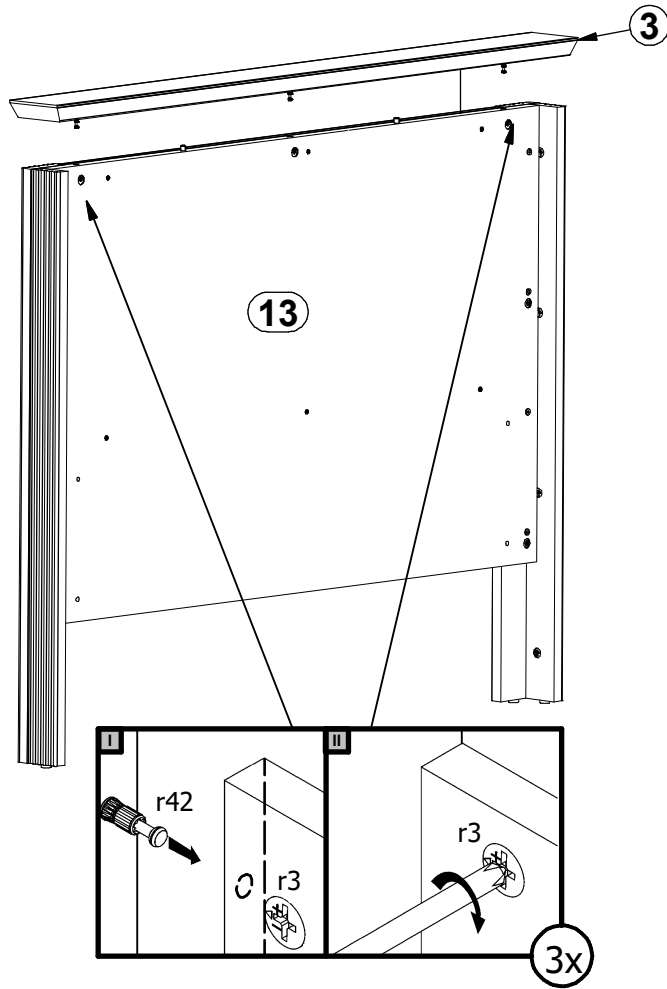
25



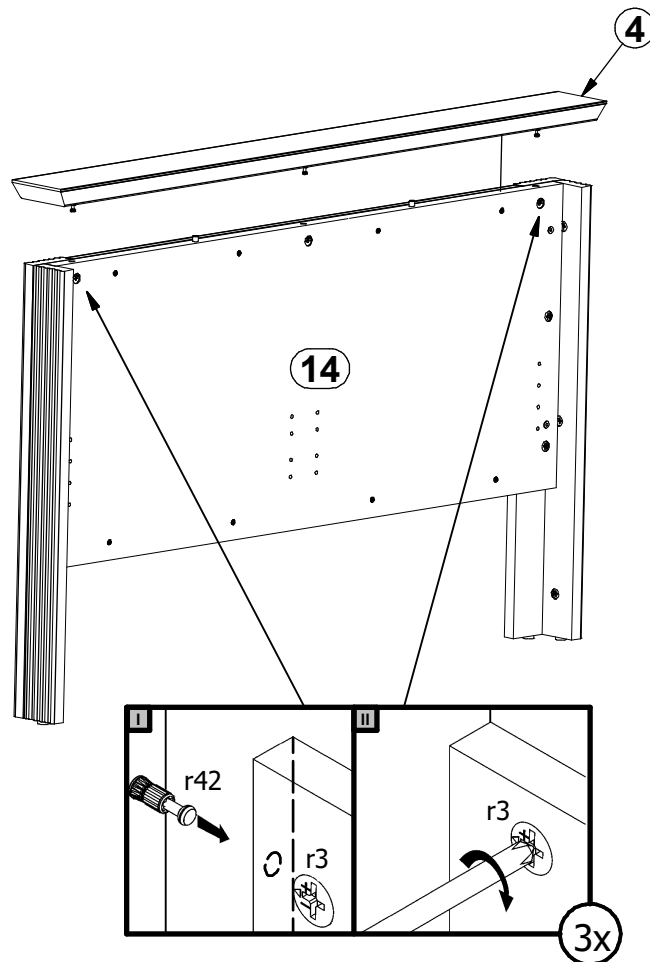
26



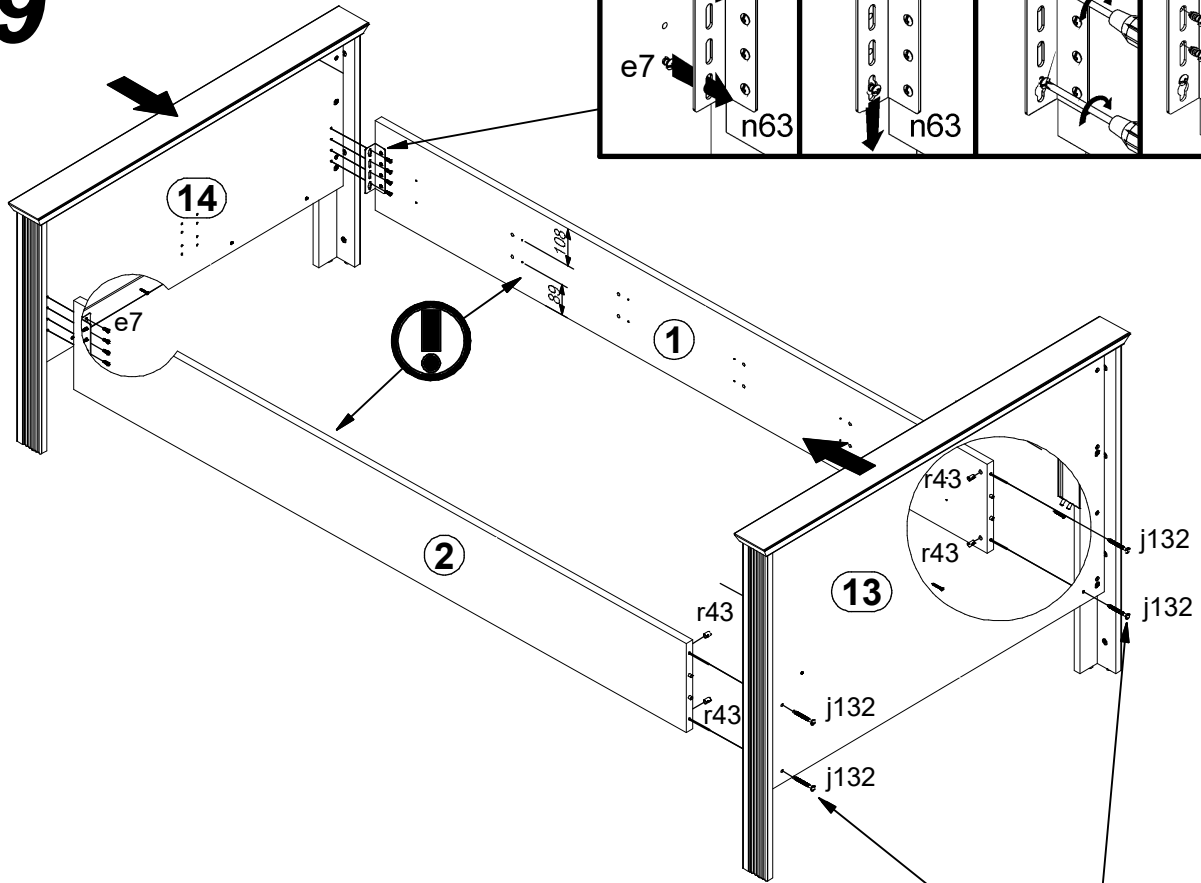
27



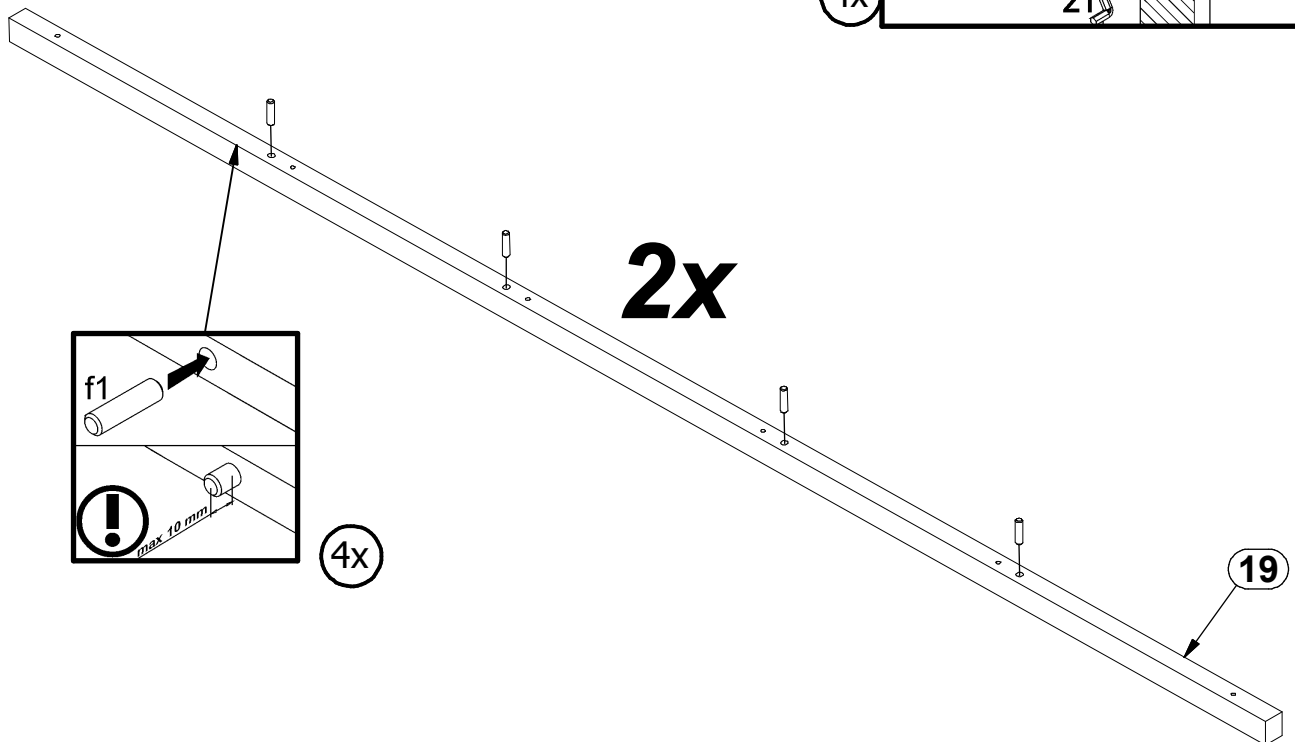
28



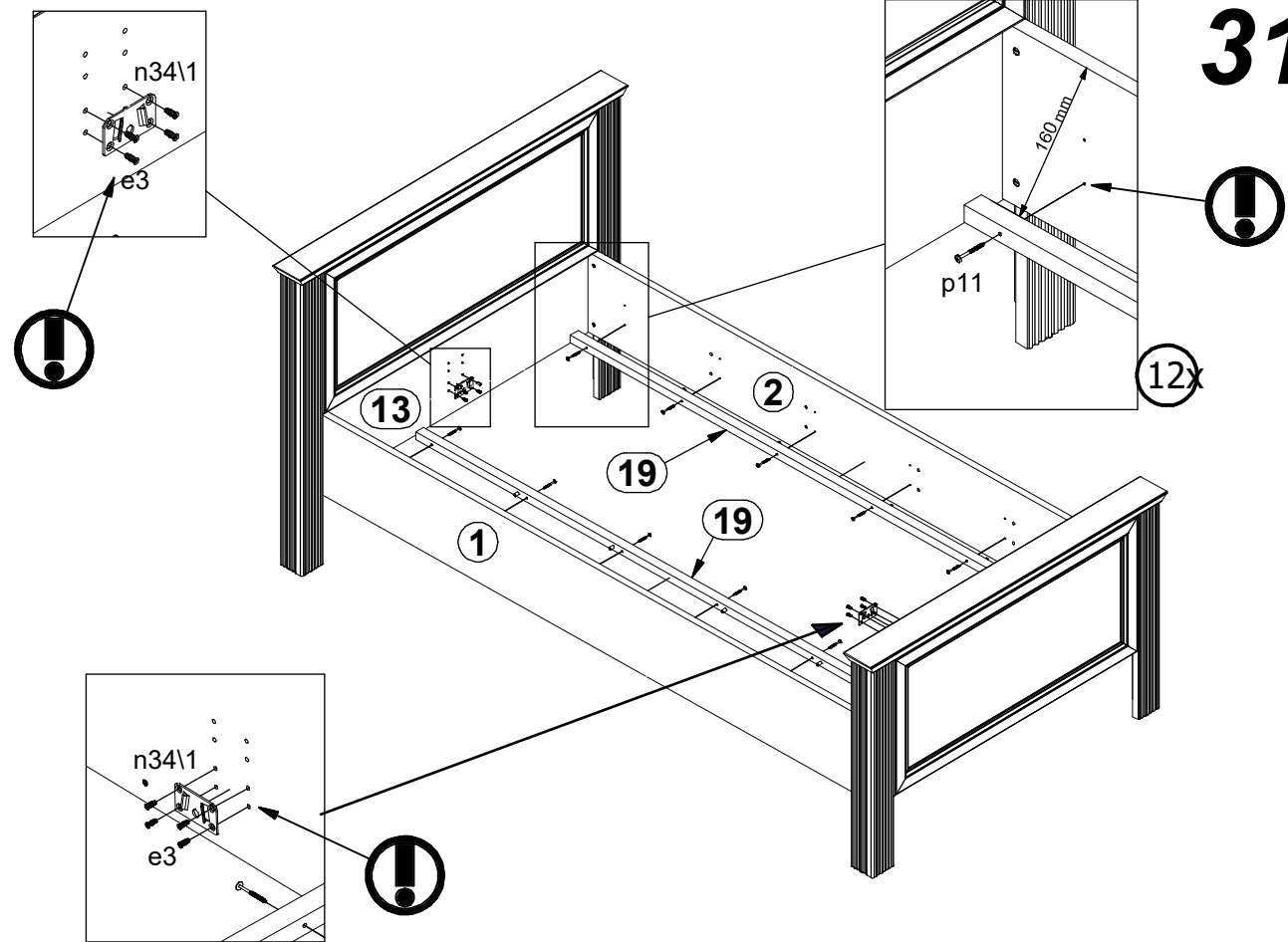
29



30



# 31A



# 31B

