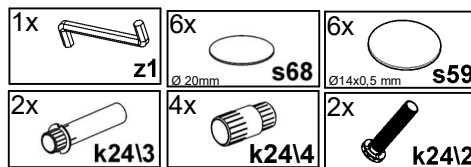
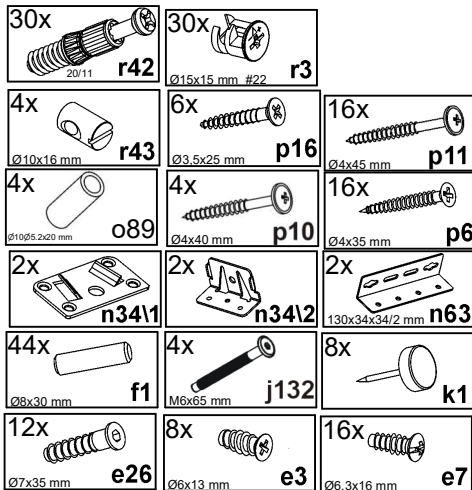
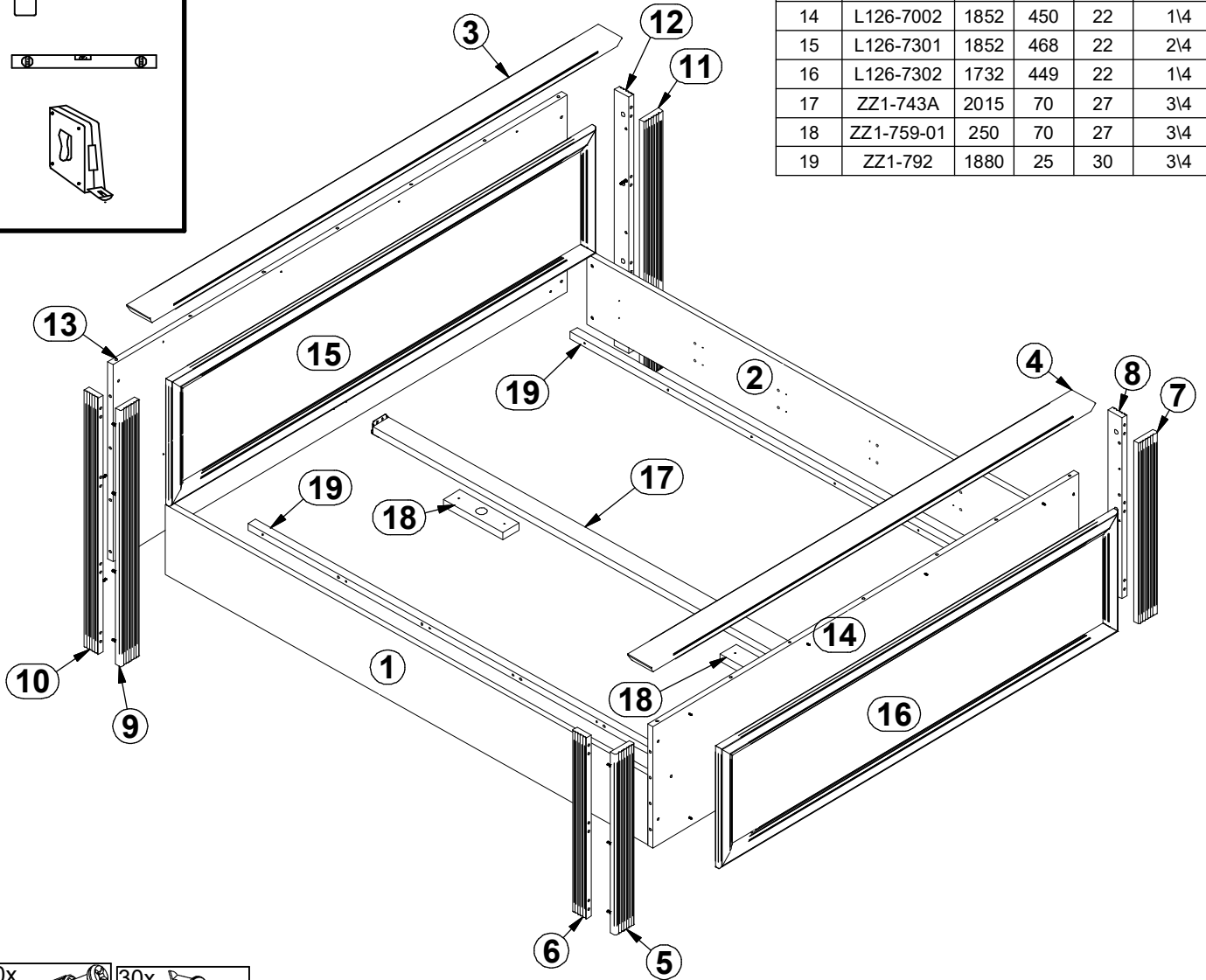
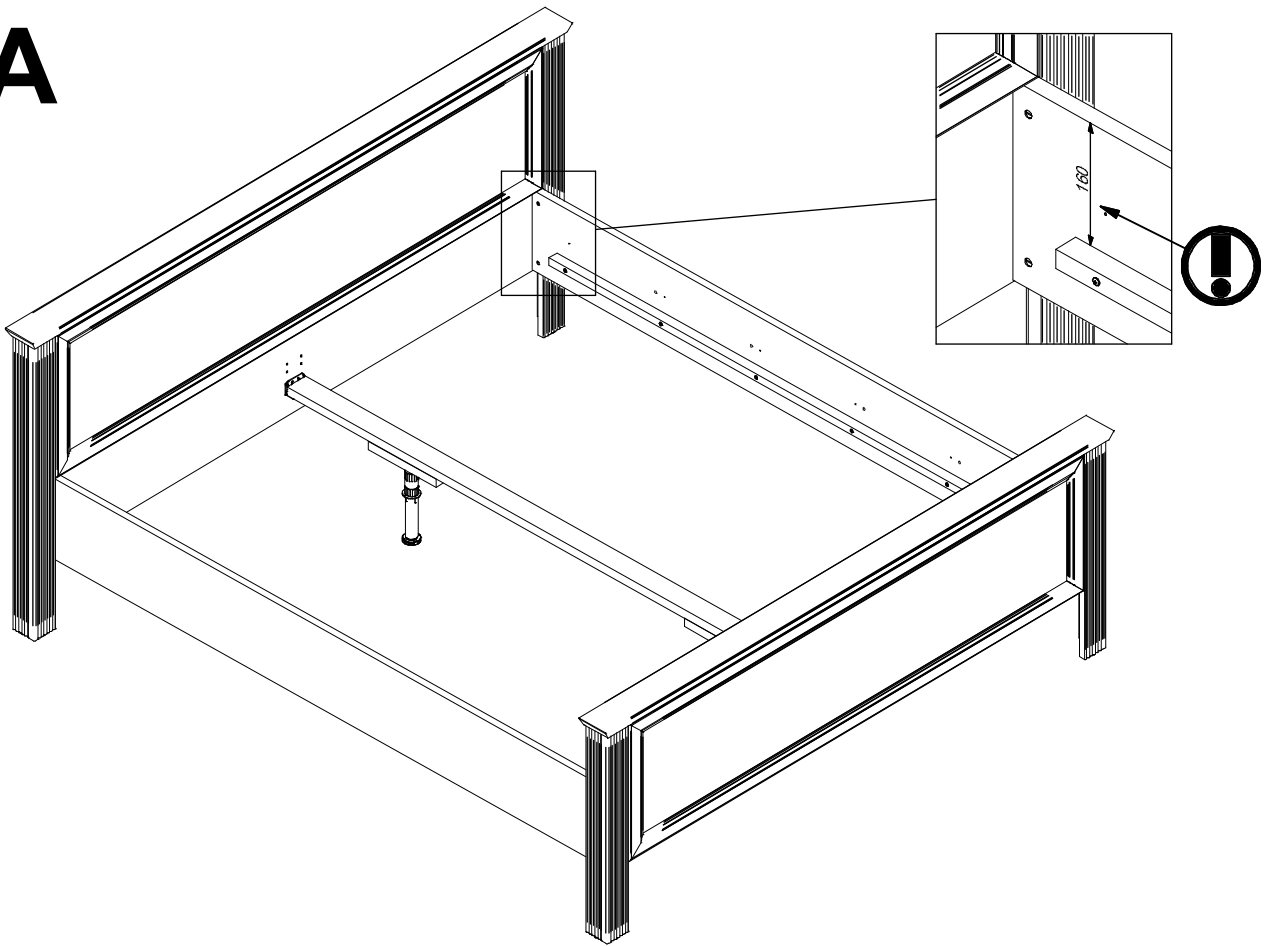


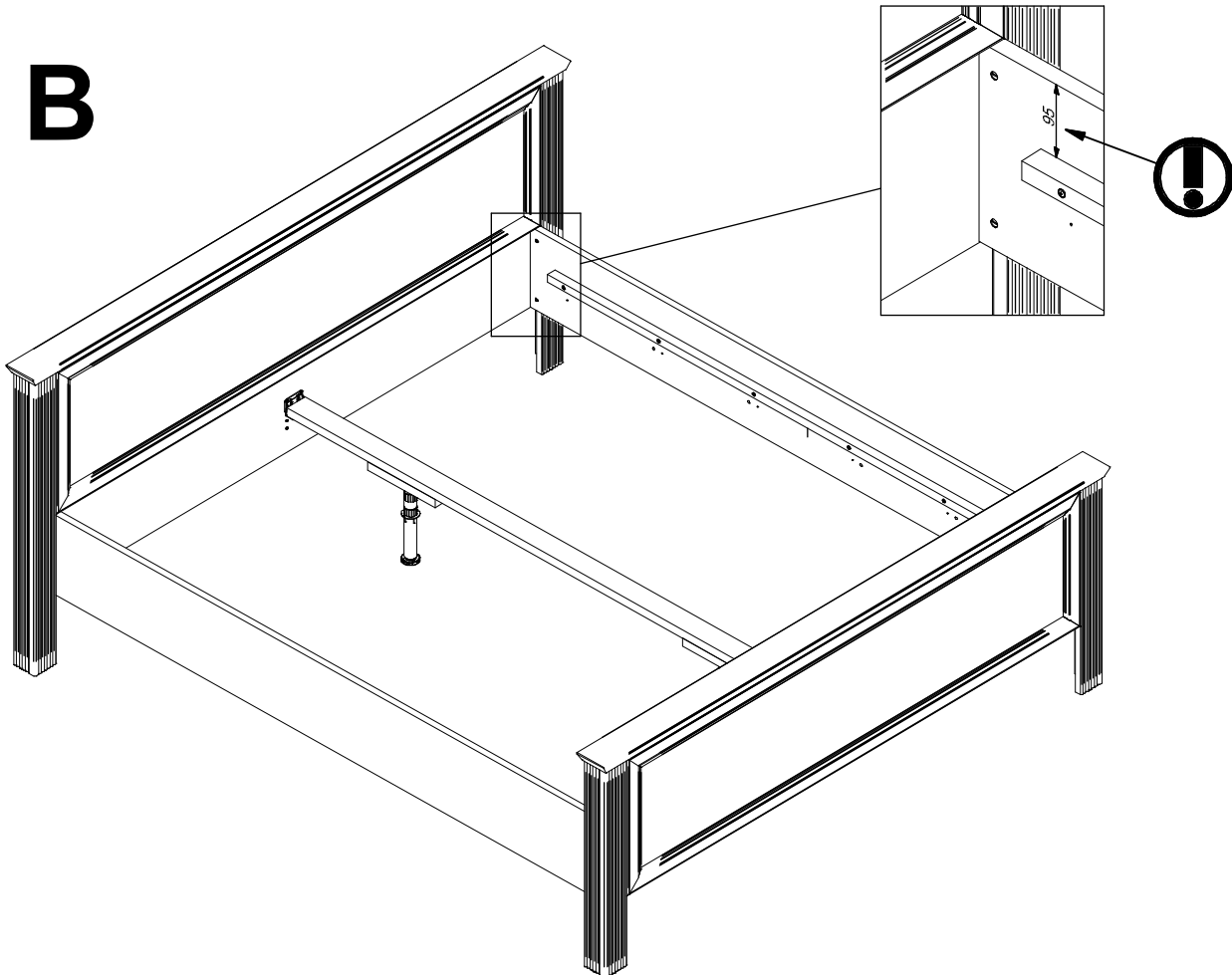
A	B	C1	C2	C3	D
1	L126-1001	2032	260	22	3¼
2	L126-1002	2032	260	22	3¼
3	L126-5001	2049	100	28	2¼
4	L126-5002	1929	100	28	2¼
5	L126-5801	670	82	22	1¼
6	L126-5802	670	60	22	1¼
7	L126-5803	670	82	22	1¼
8	L126-5804	670	60	22	1¼
9	L126-5805	950	82	22	1¼
10	L126-5806	950	60	22	1¼
11	L126-5807	950	82	22	1¼
12	L126-5808	950	60	22	1¼
13	L126-7001	1972	730	22	4¼
14	L126-7002	1852	450	22	1¼
15	L126-7301	1852	468	22	2¼
16	L126-7302	1732	449	22	1¼
17	ZZ1-743A	2015	70	27	3¼
18	ZZ1-759-01	250	70	27	3¼
19	ZZ1-792	1880	25	30	3¼

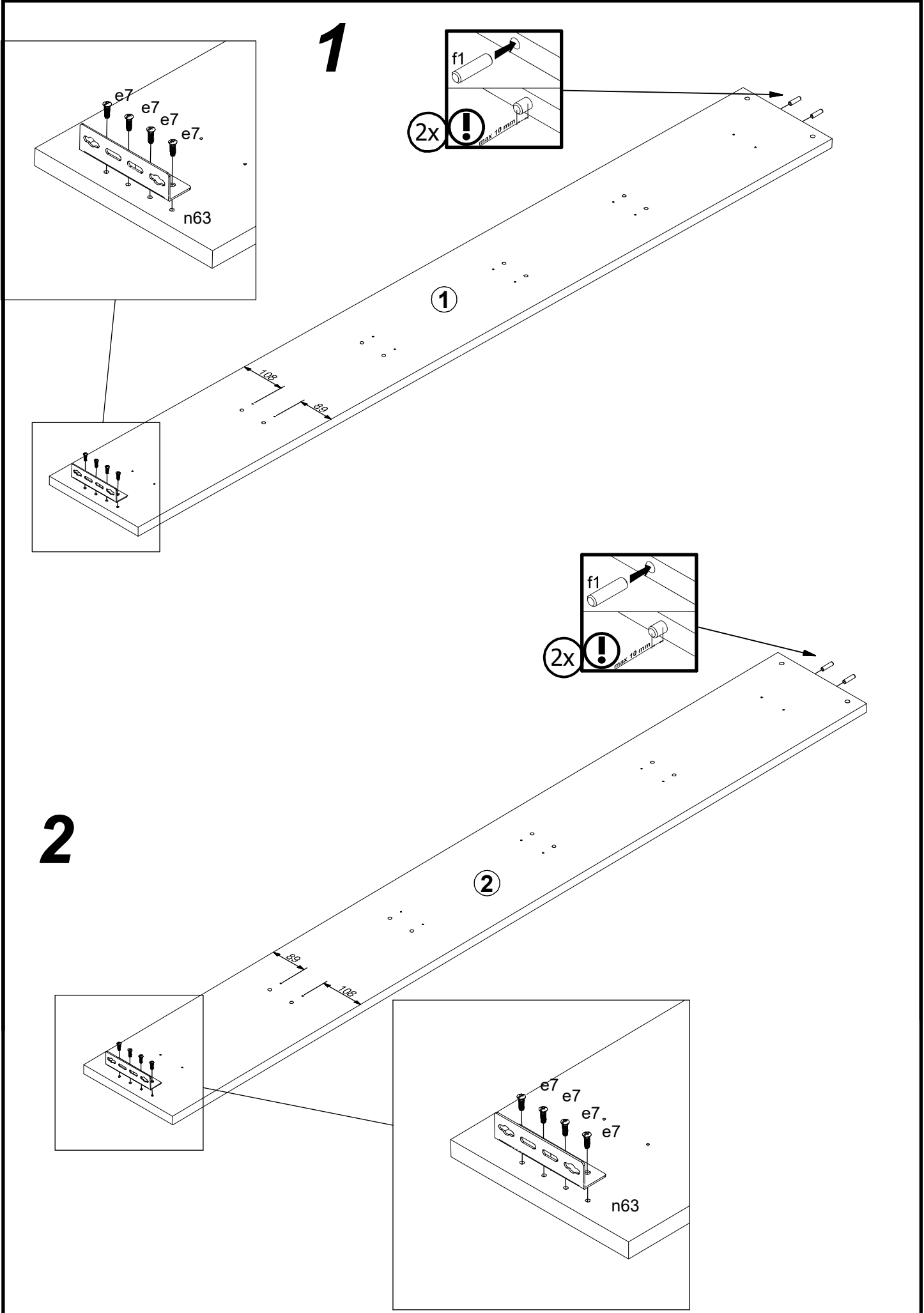


A

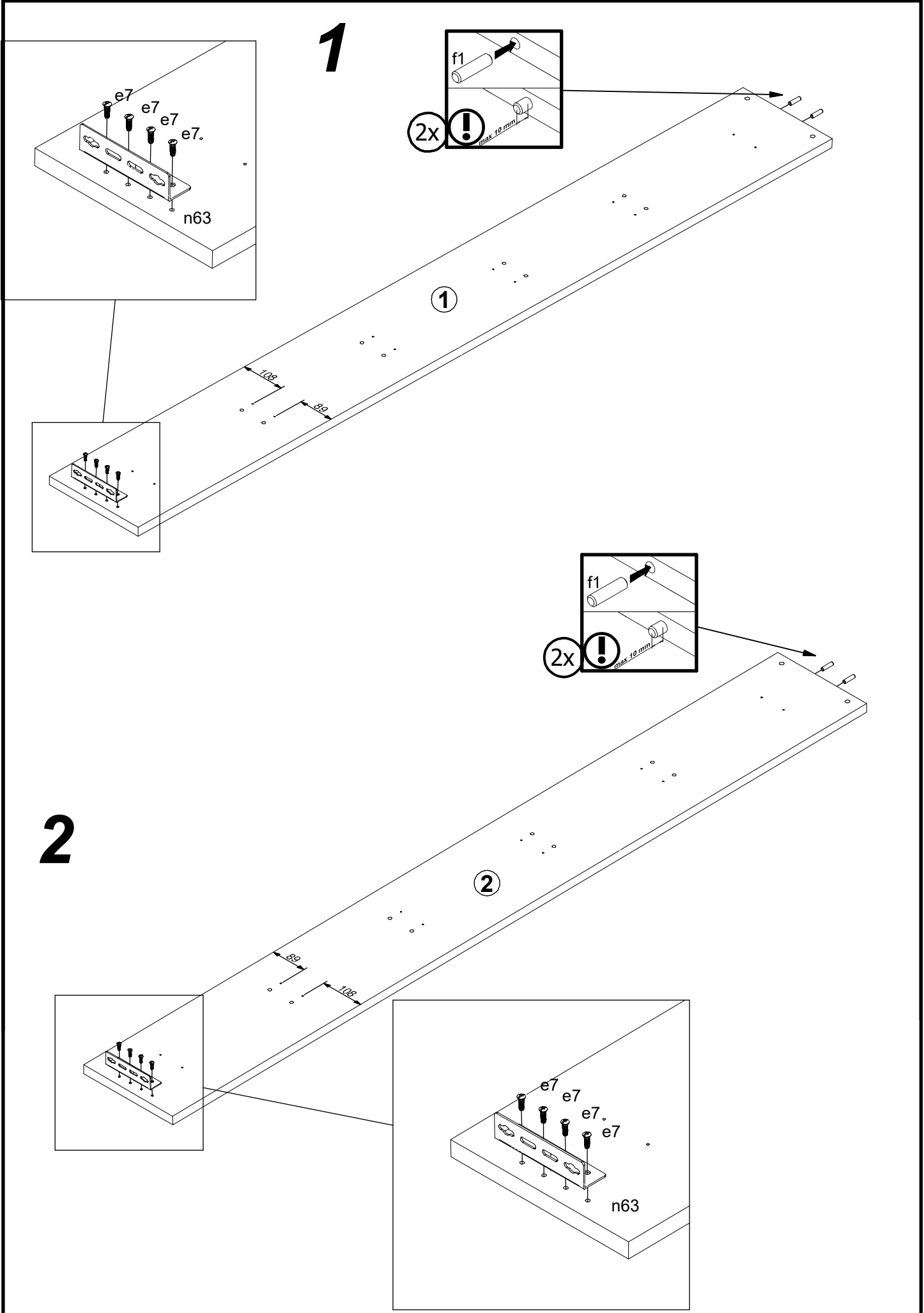


B

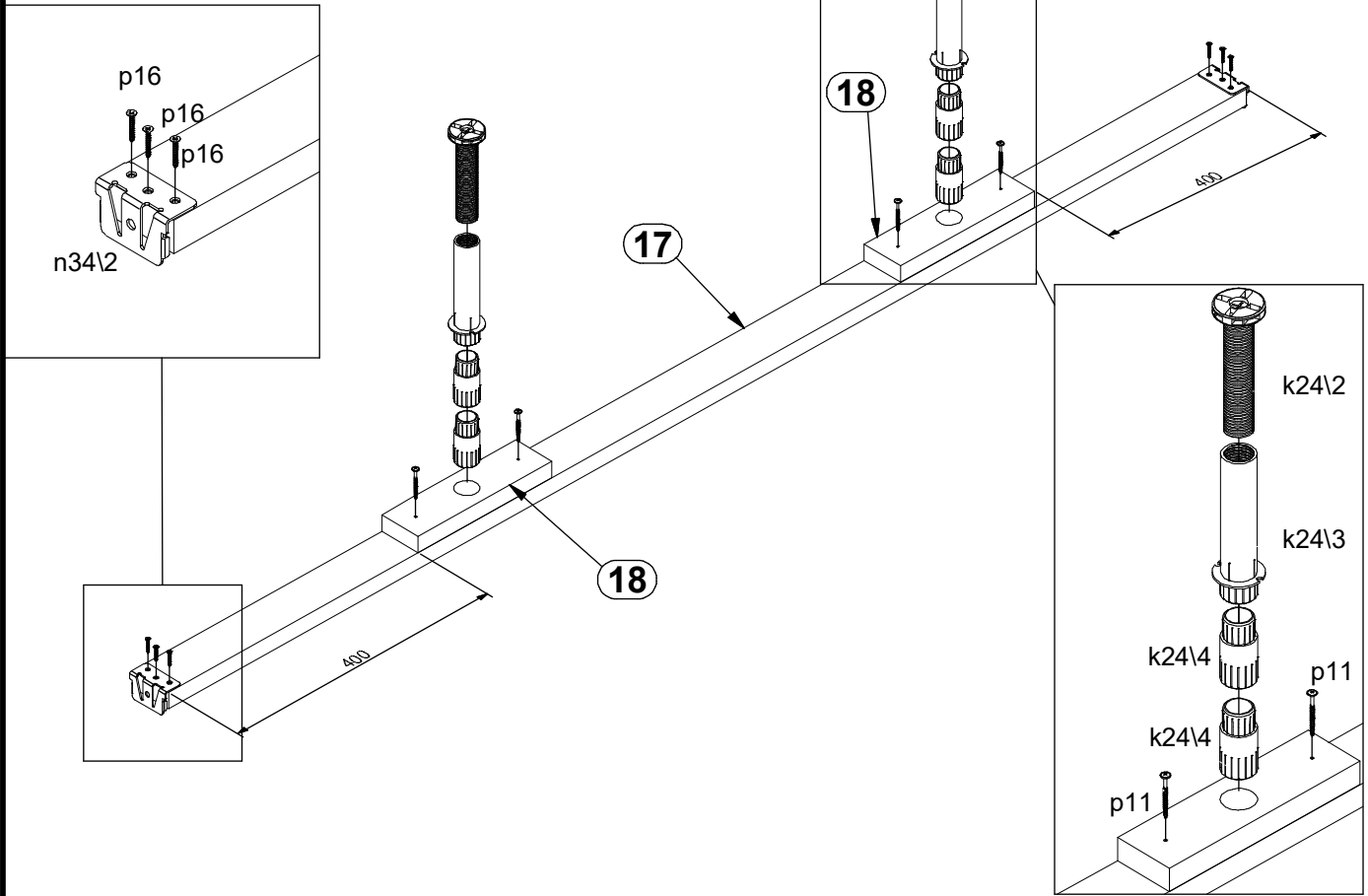




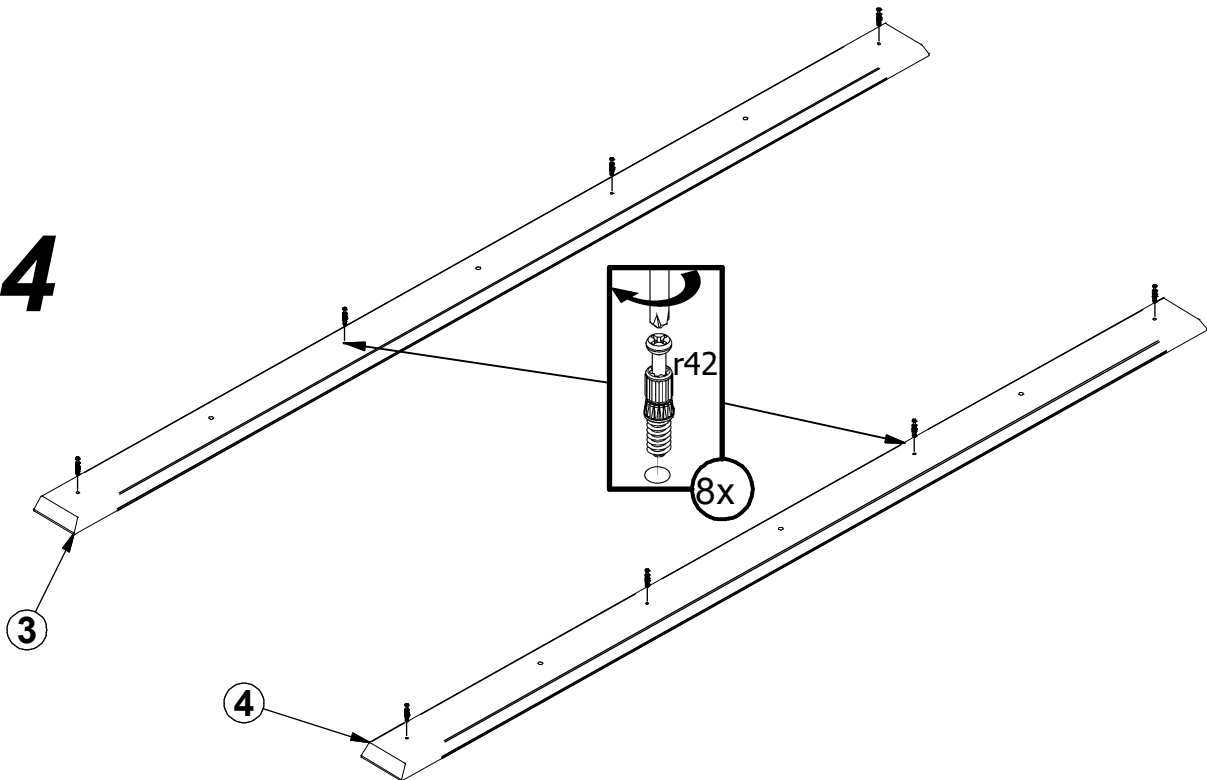
2

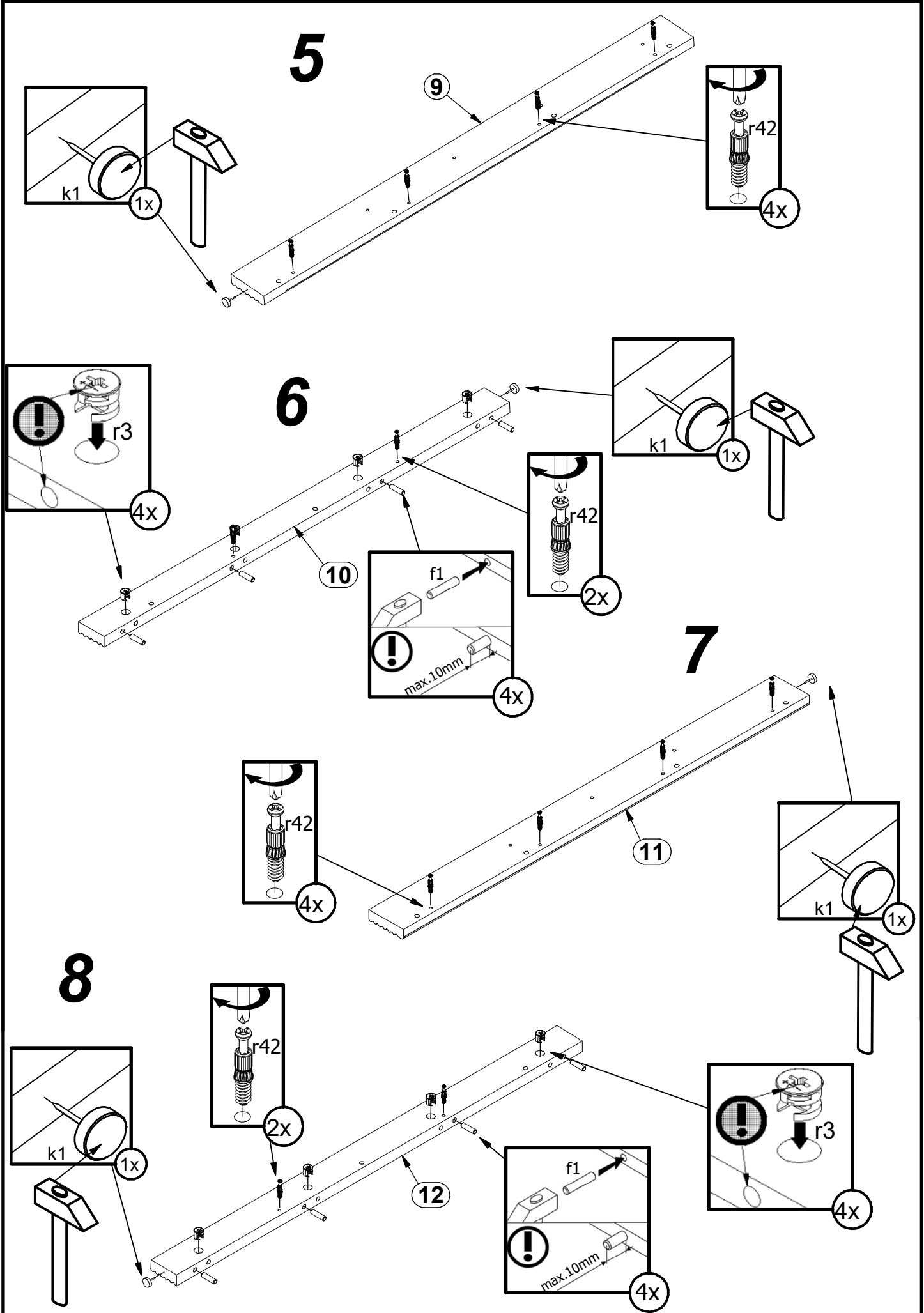


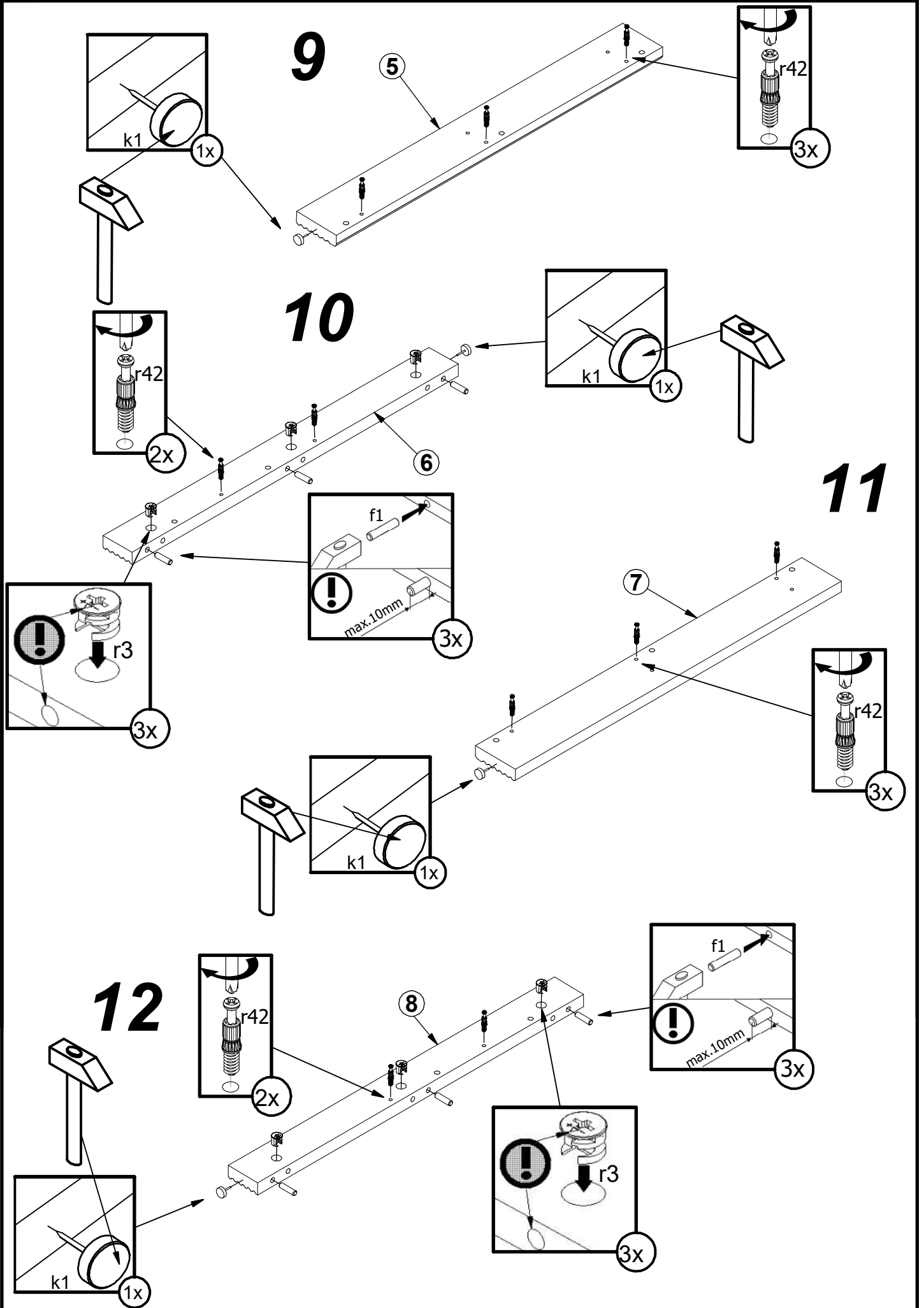
3



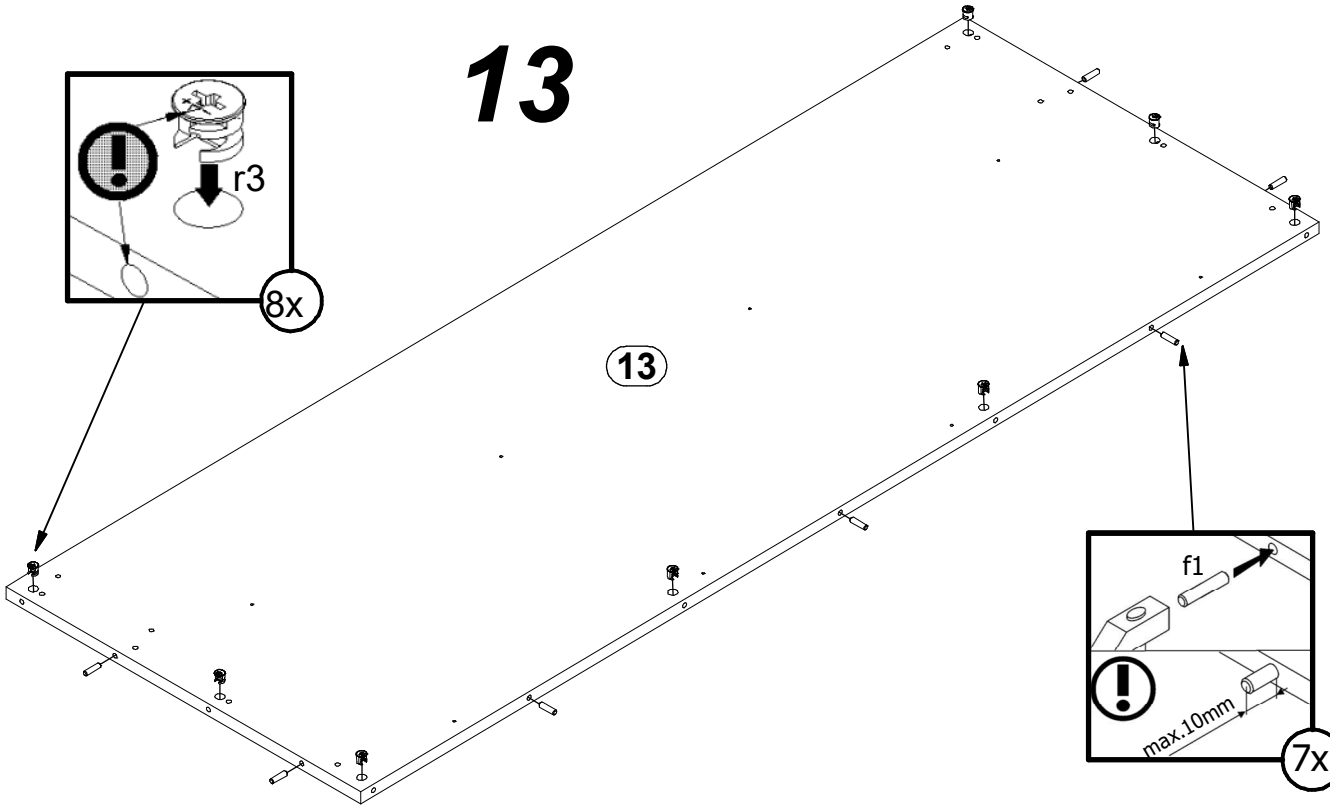
4



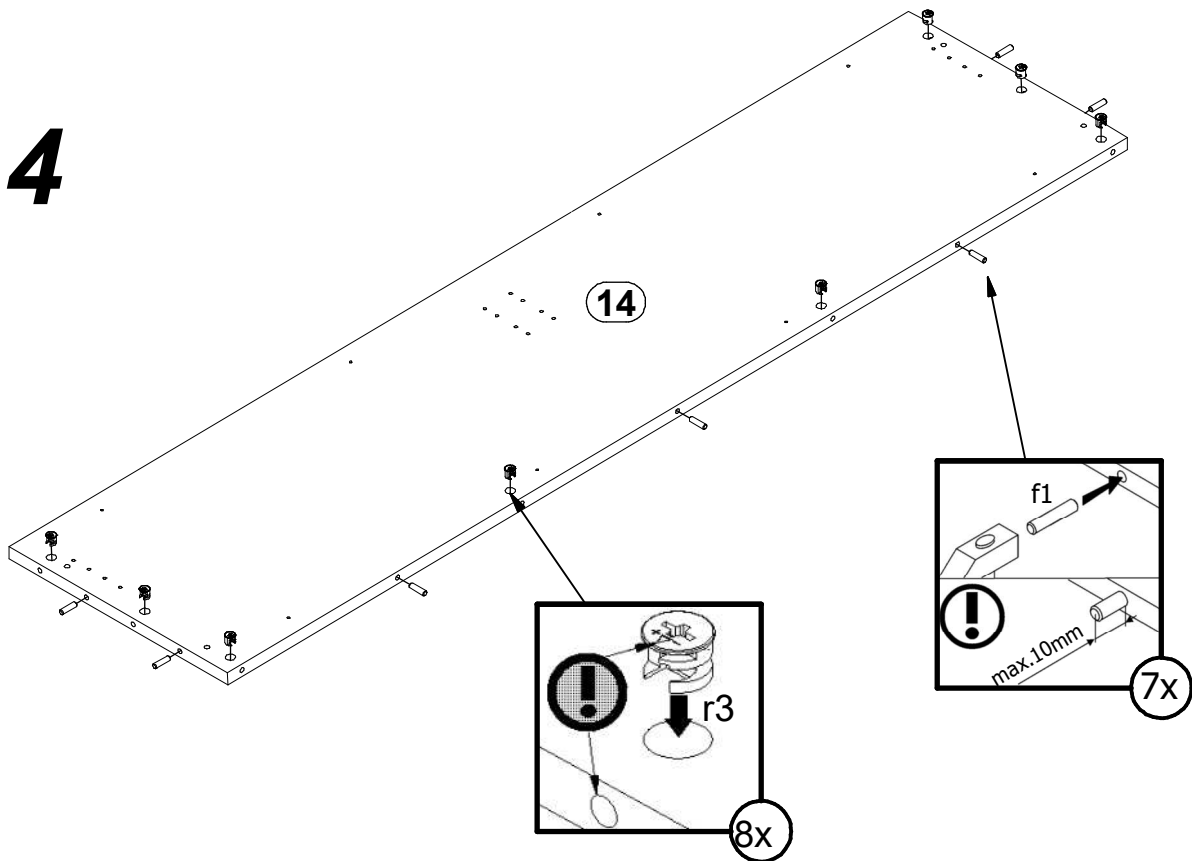




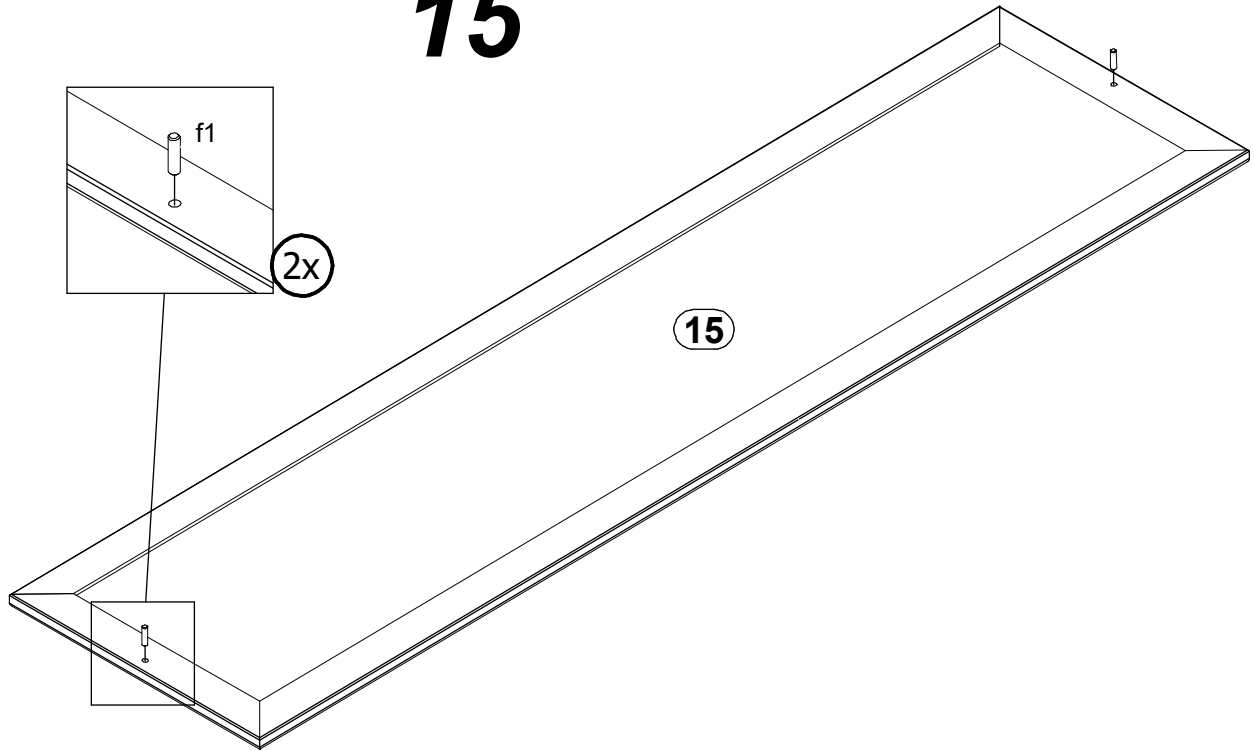
13



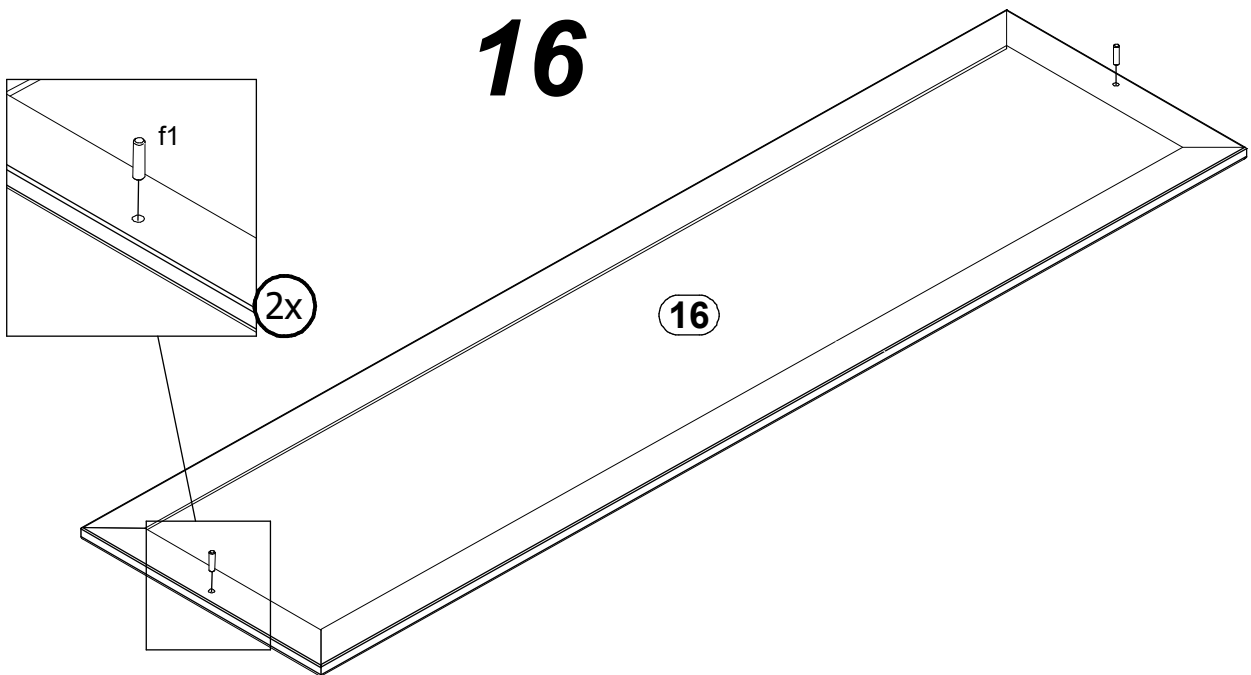
14



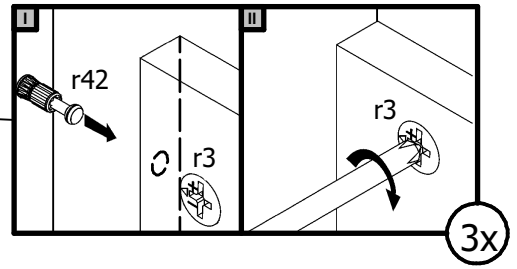
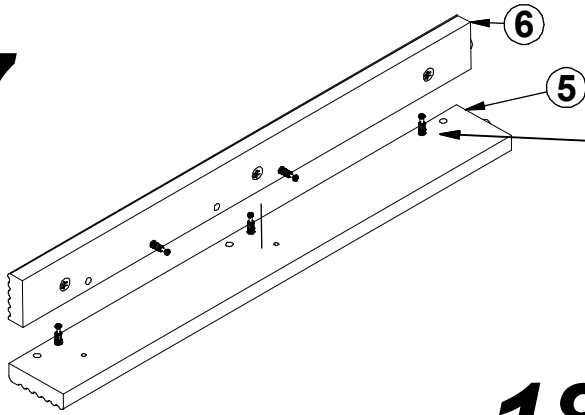
15



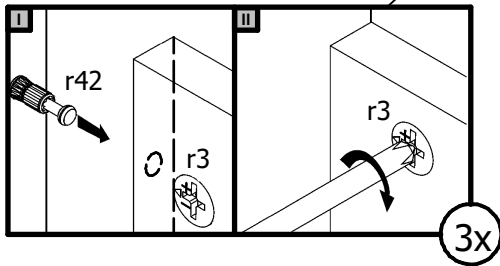
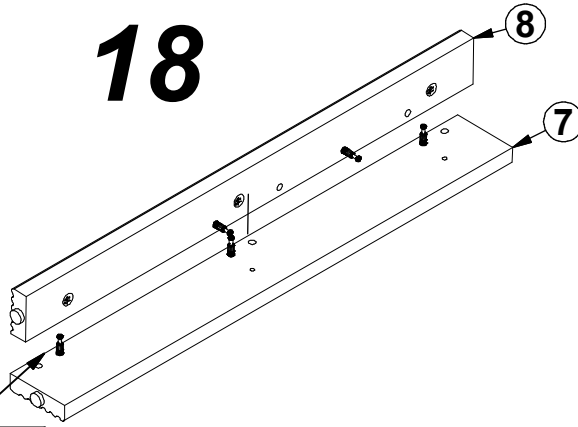
16



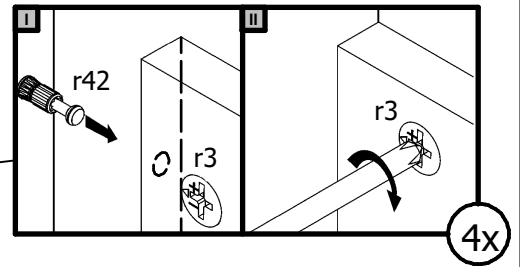
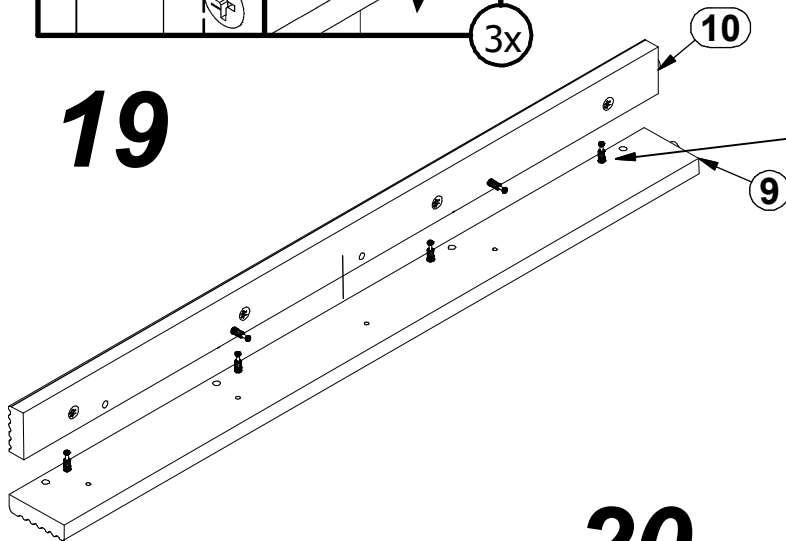
17



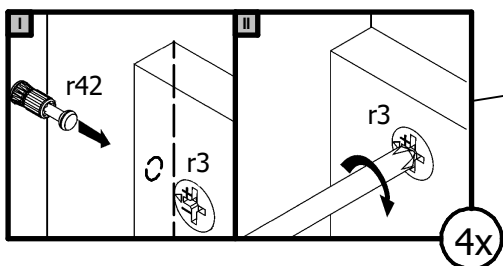
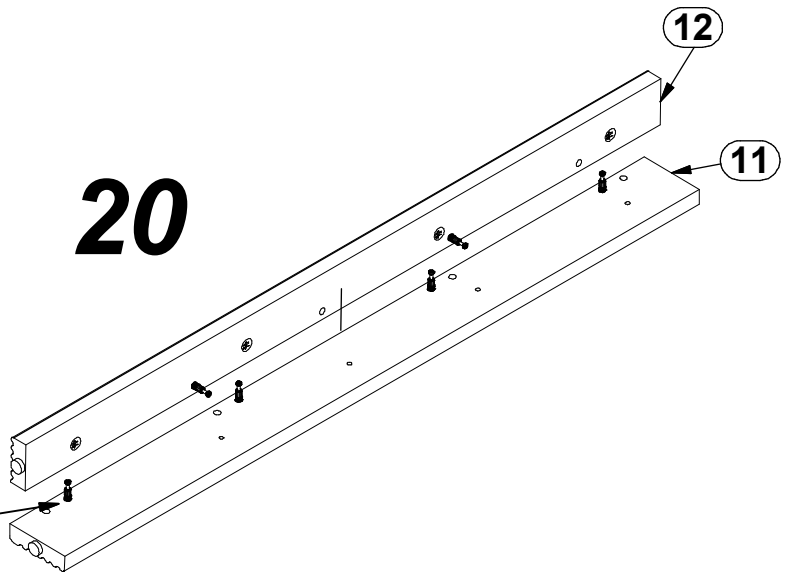
18



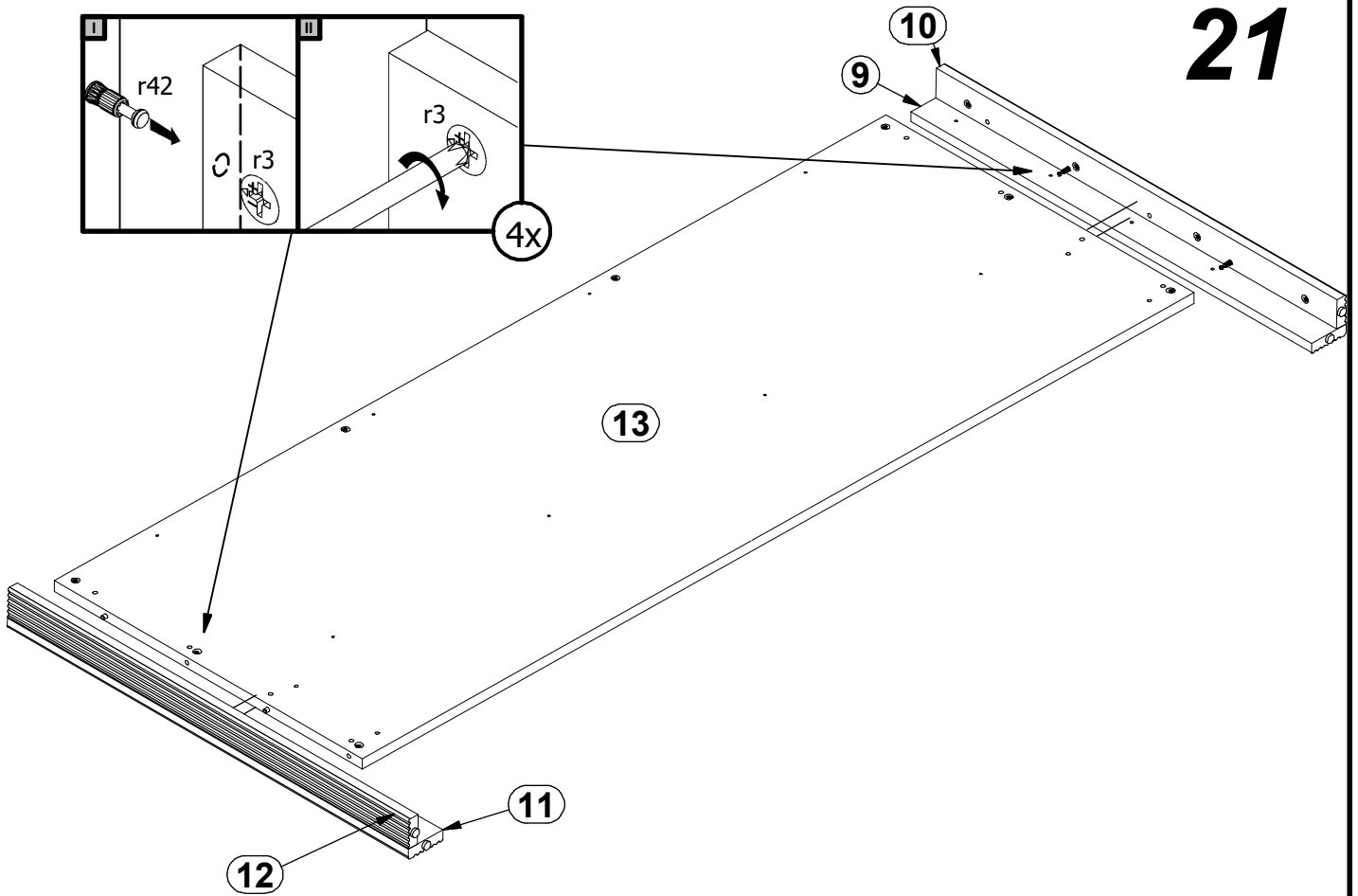
19



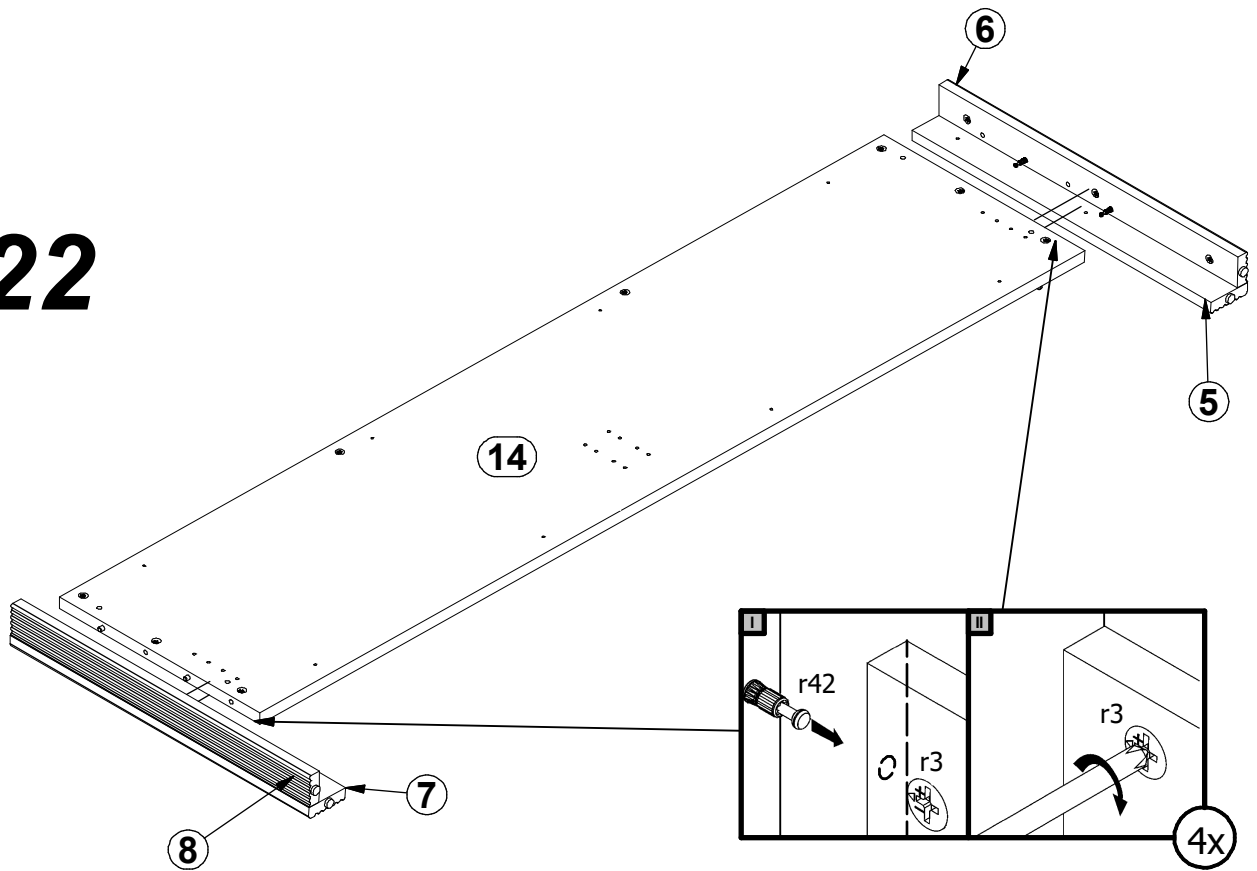
20



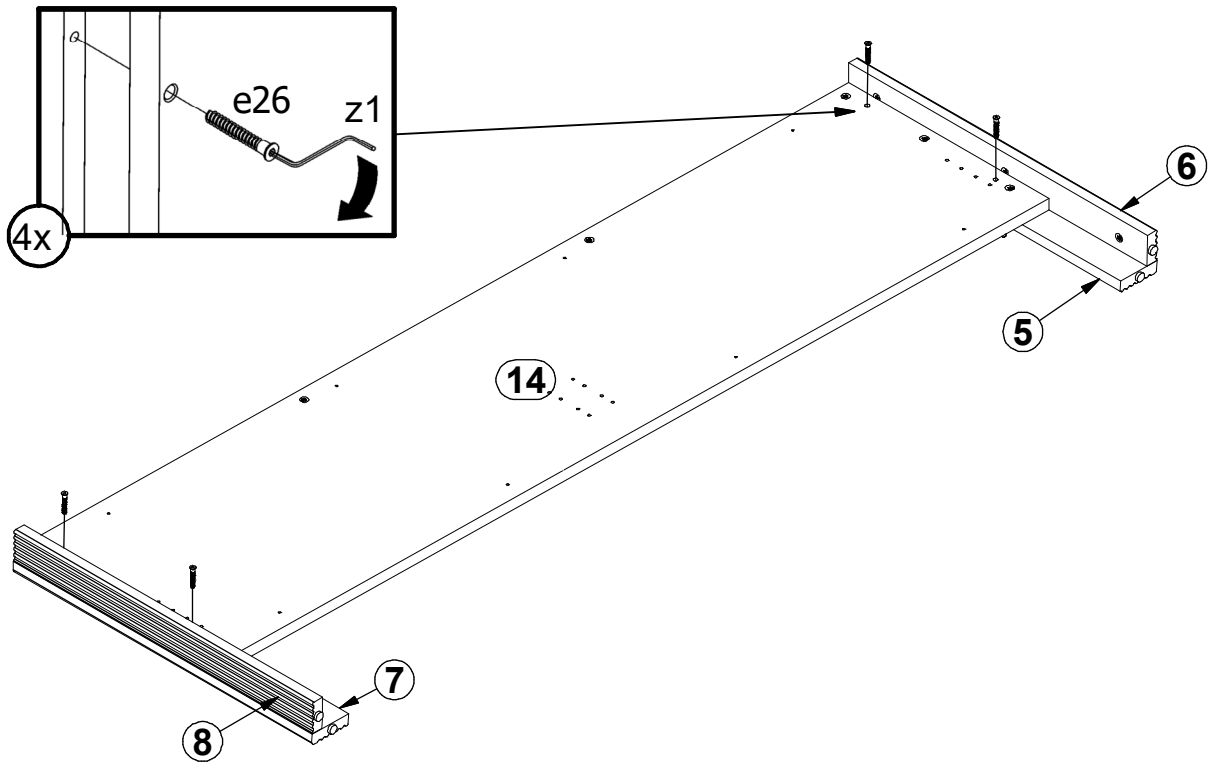
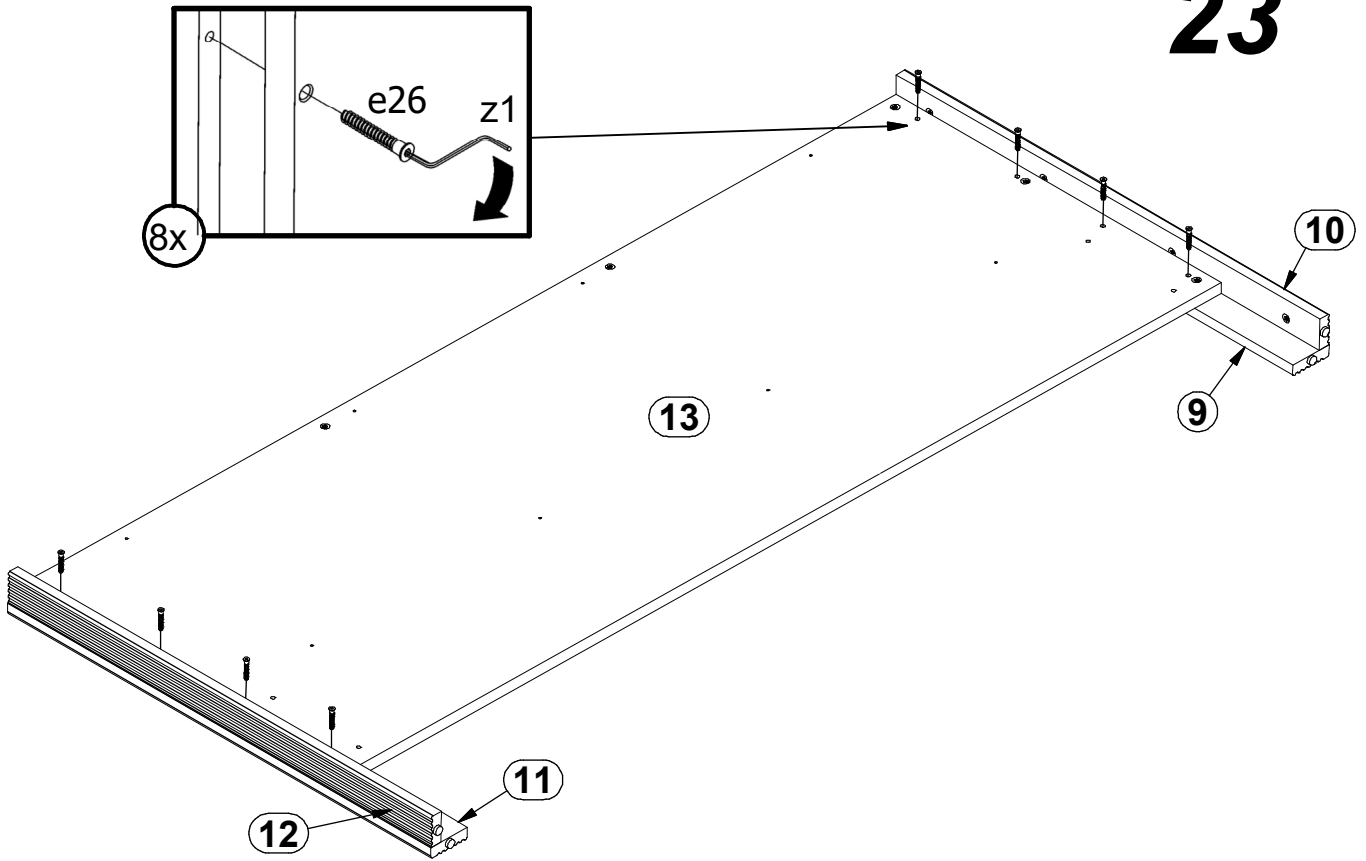
21



22

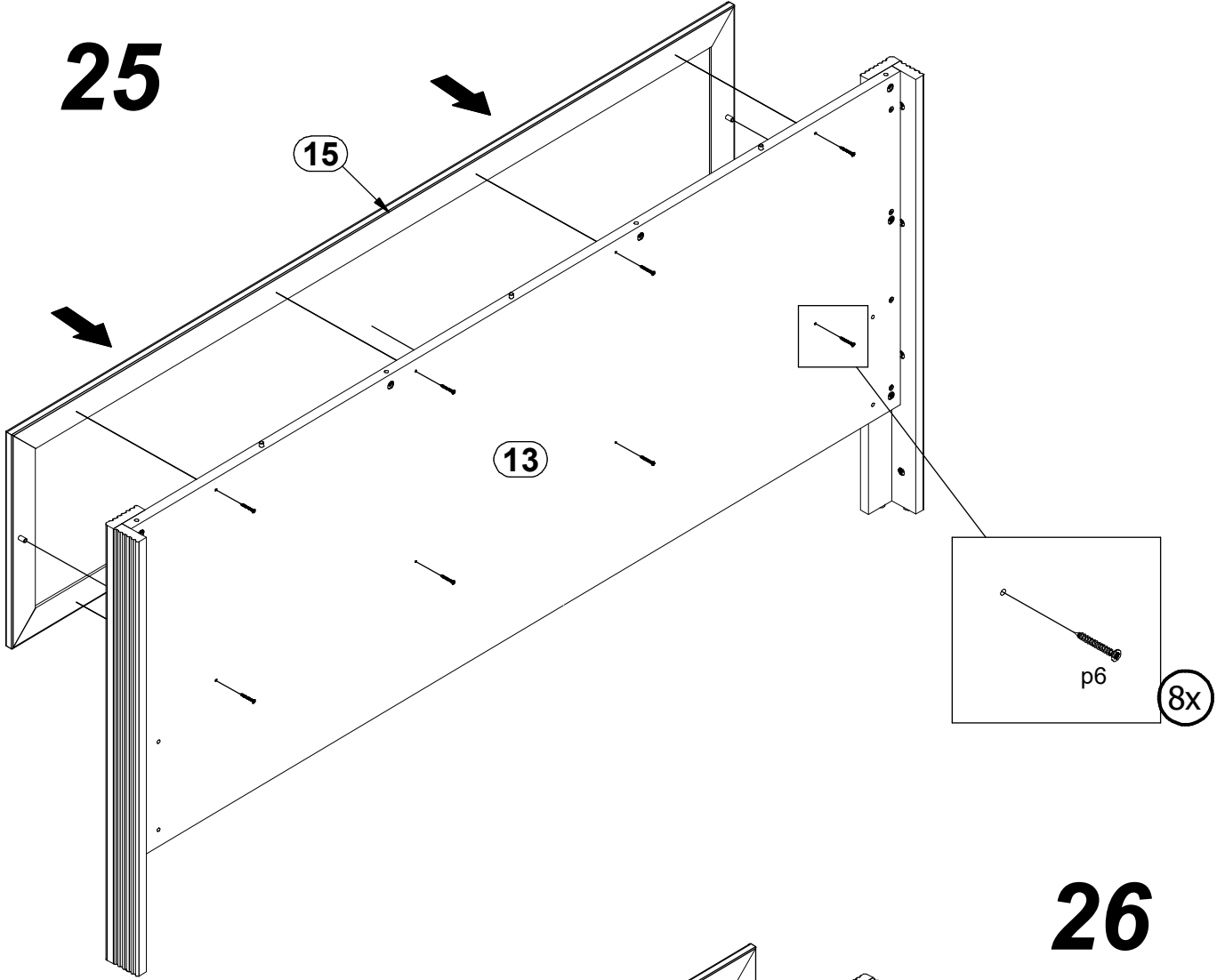


23

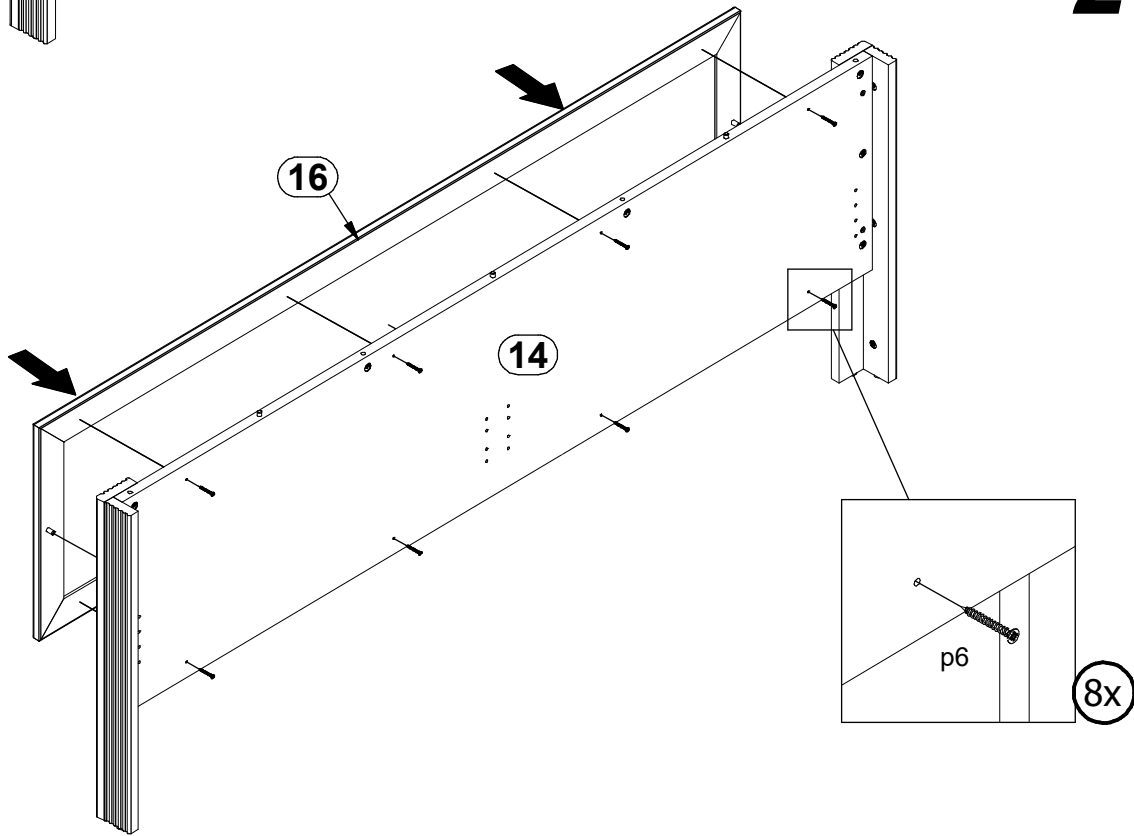


24

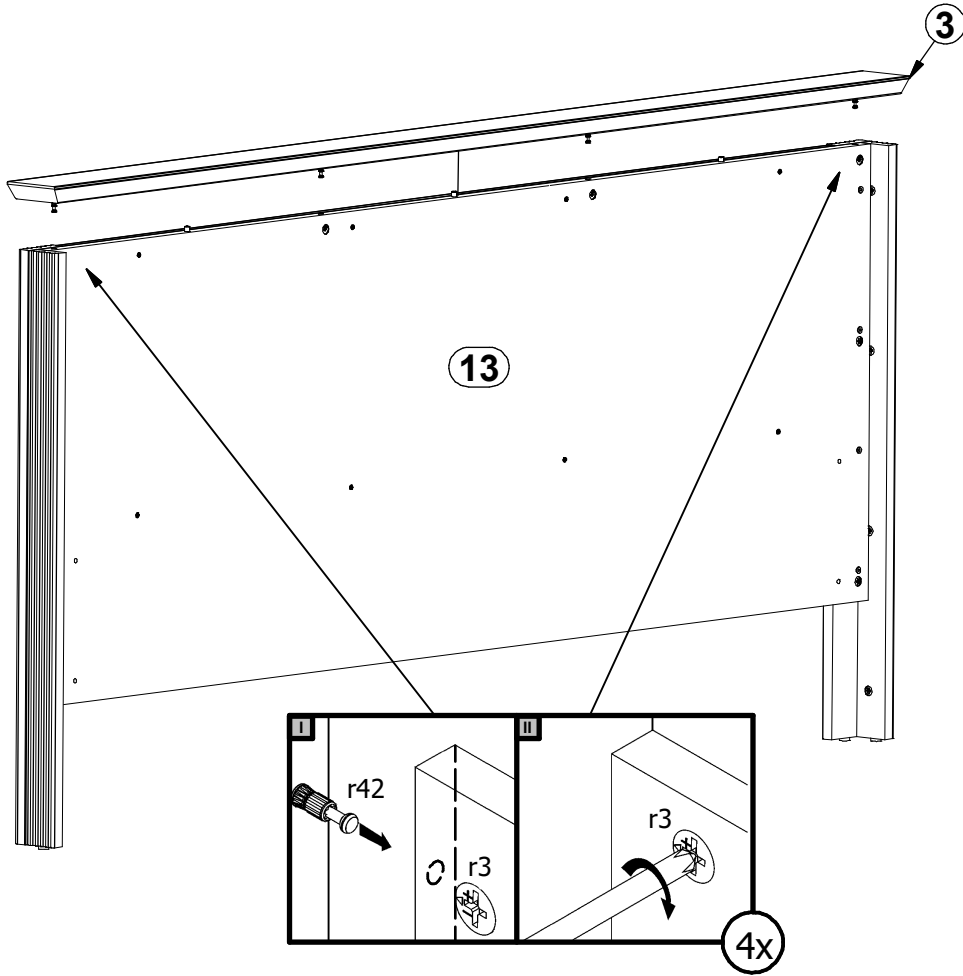
25



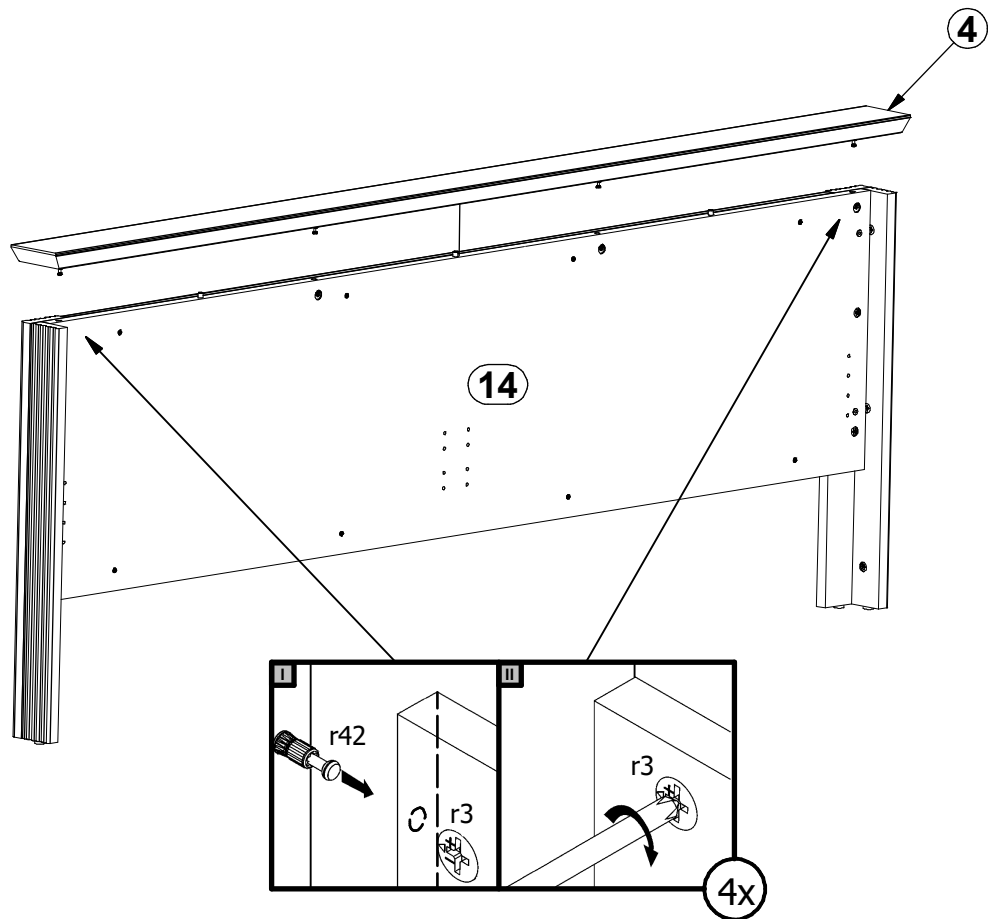
26



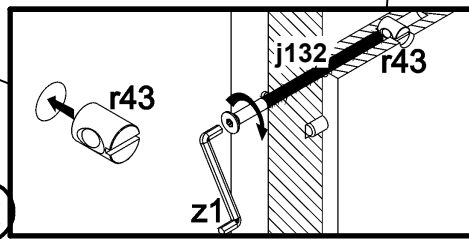
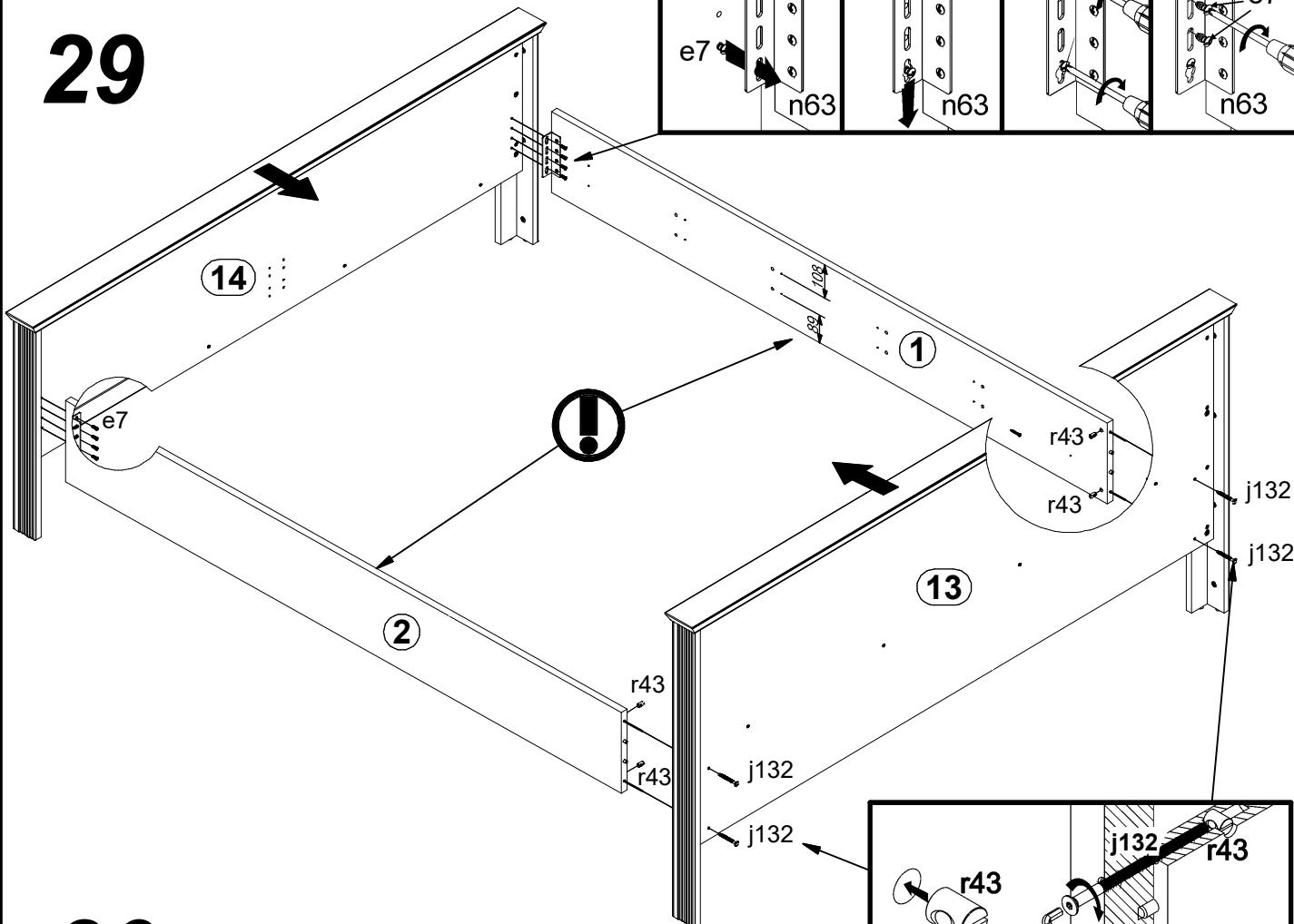
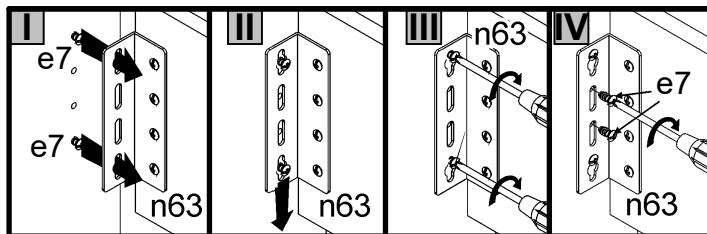
27



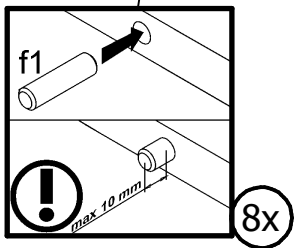
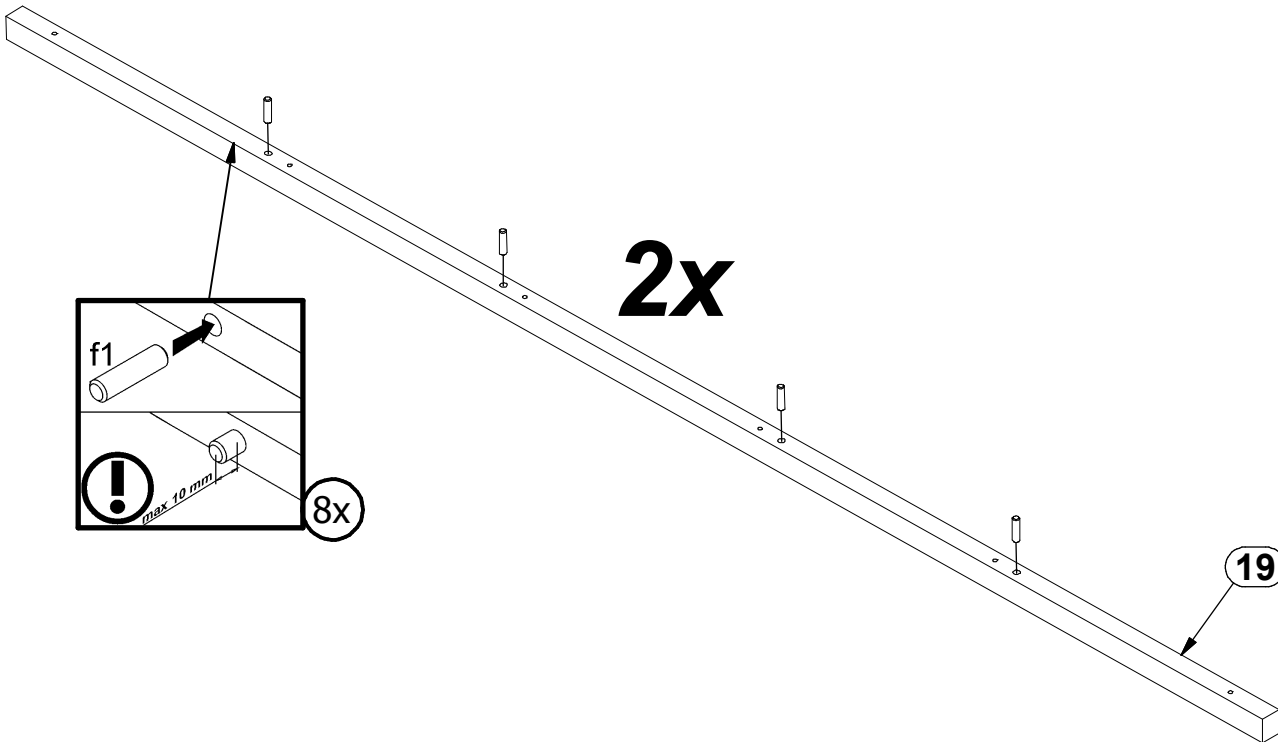
28



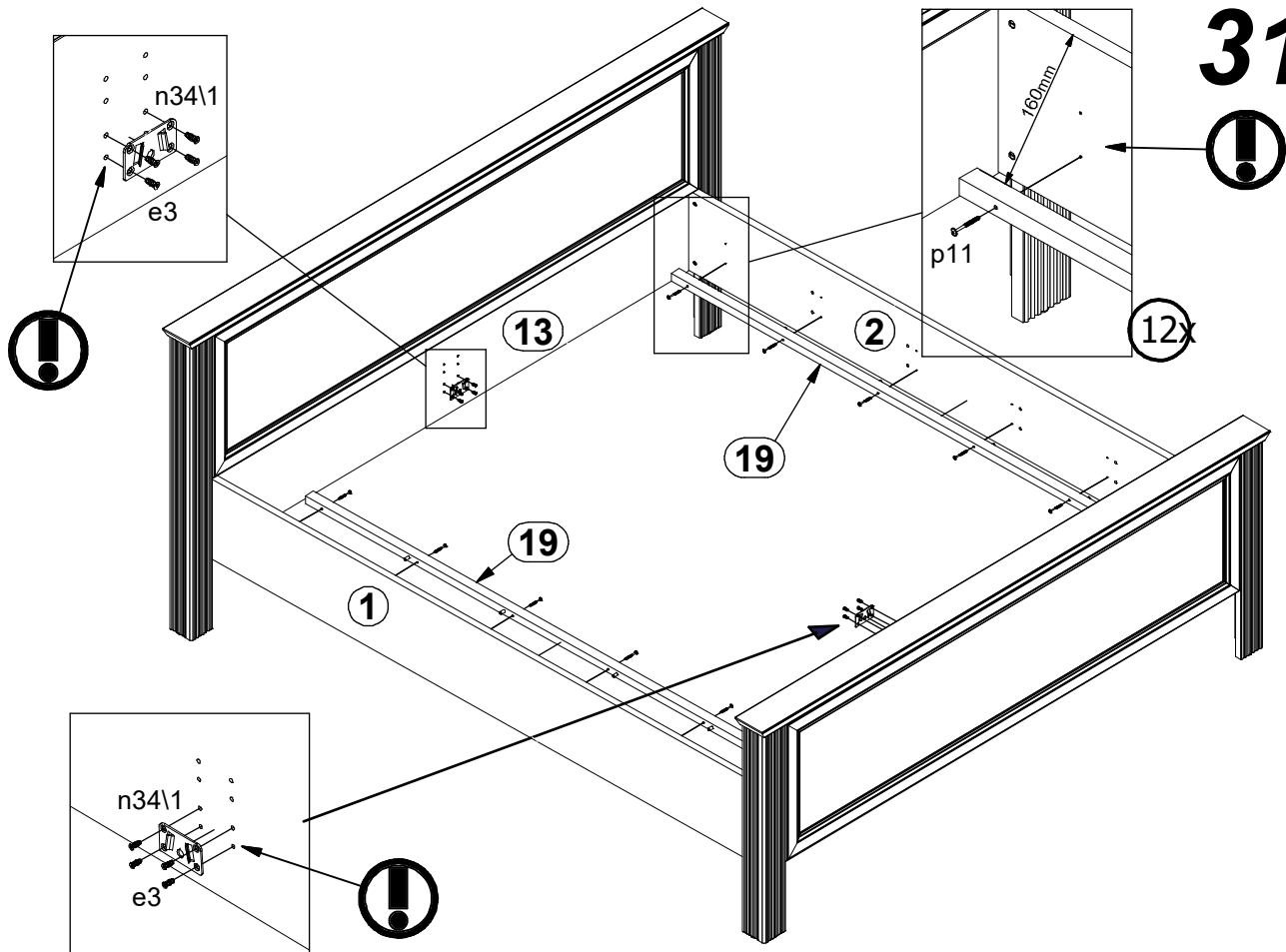
29



30



31A



31B

