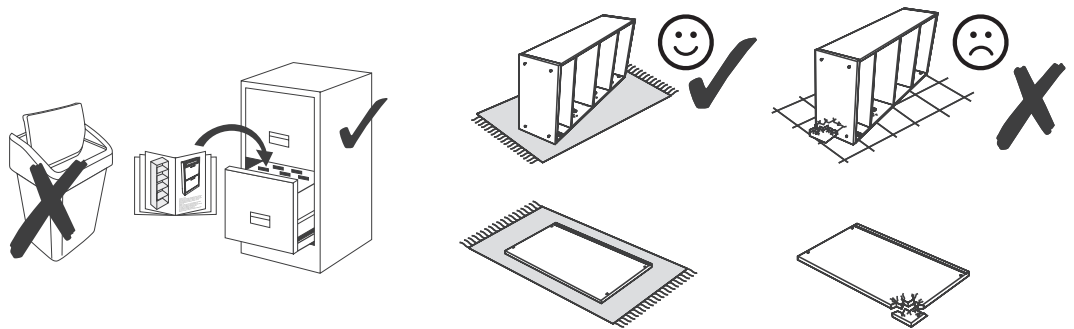
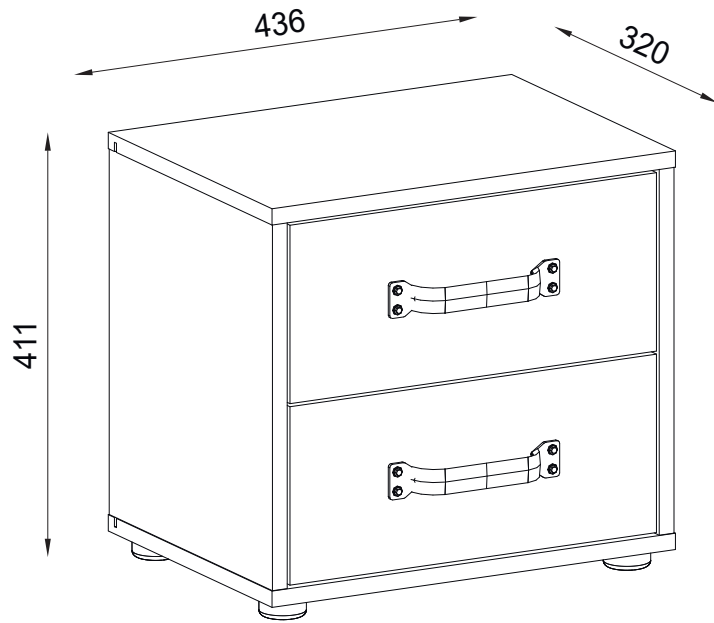
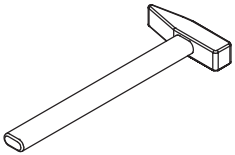
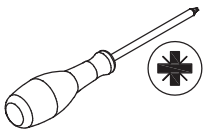
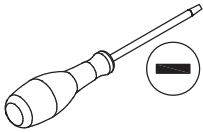
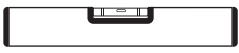
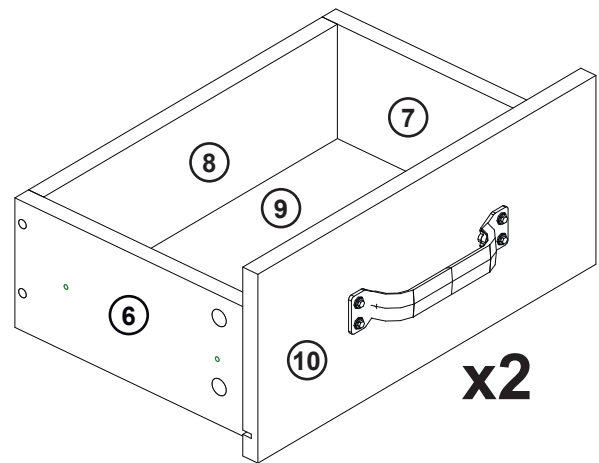
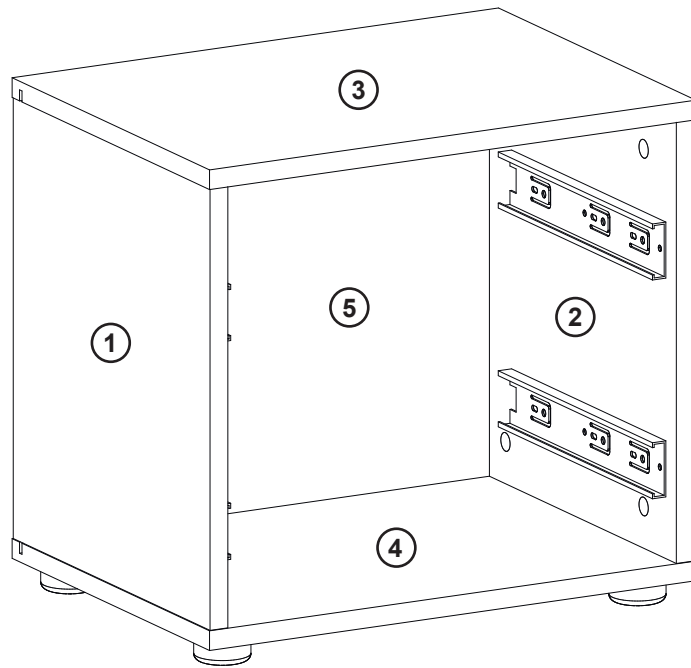
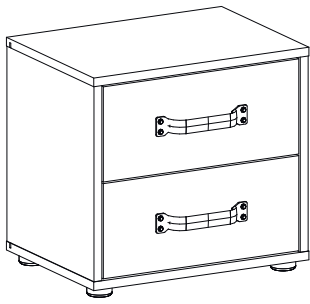


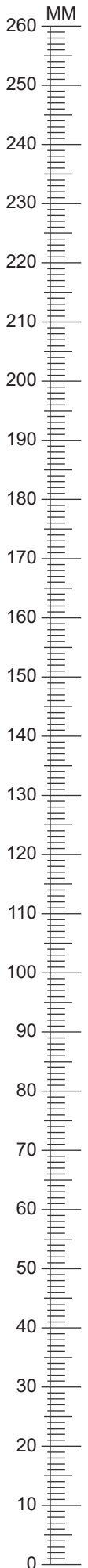
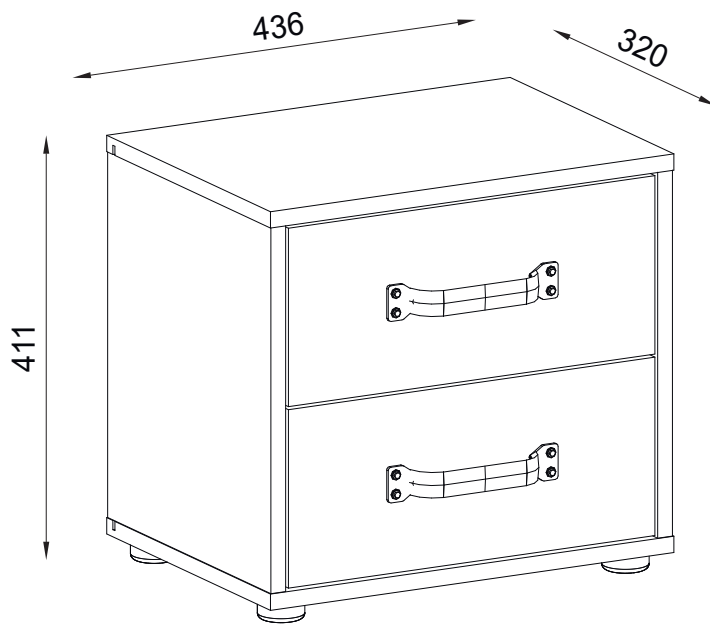


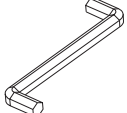
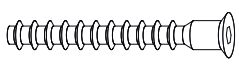
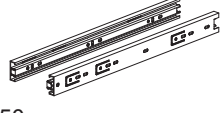
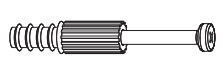











Modell **MO 1**





A	B (mm)		C	D	
1	359	319	16	x1	1/1
2	359	319	16	x1	1/1
3	437	320	16	x1	1/1
4	437	320	16	x1	1/1
5	375	418	2.5	x1	1/1
6	250	120	16	x2	1/1
7	250	120	16	x2	1/1
8	345	106	16	x2	1/1
9	360	258	2.5	x2	1/1
10	397	175	16	x2	1/1



1x  4mm z1	12x  Ø 6,3x50mm e27	2x  L=250mm n2
12x  45mm r23	12x  Ø 15x12mm r1	8x  Ø 8x30mm f1
8x  Ø 20mm s1	8x  Ø 5x13mm e1	4x  Ø 4,2x16mm p21
8x  Ø 3x16mm p50	2x  L=184mm c241	4x  20x45x45mm k43
4x  Ø 4,2x25mm p25	4x  Ø 4x25mm p26	4x  10x10x15mm l2

1

f1 x 8



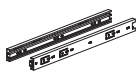
Ø 8x30mm

r1 x 4



Ø 15x12mm

n2 x 2

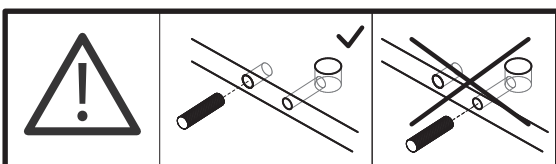
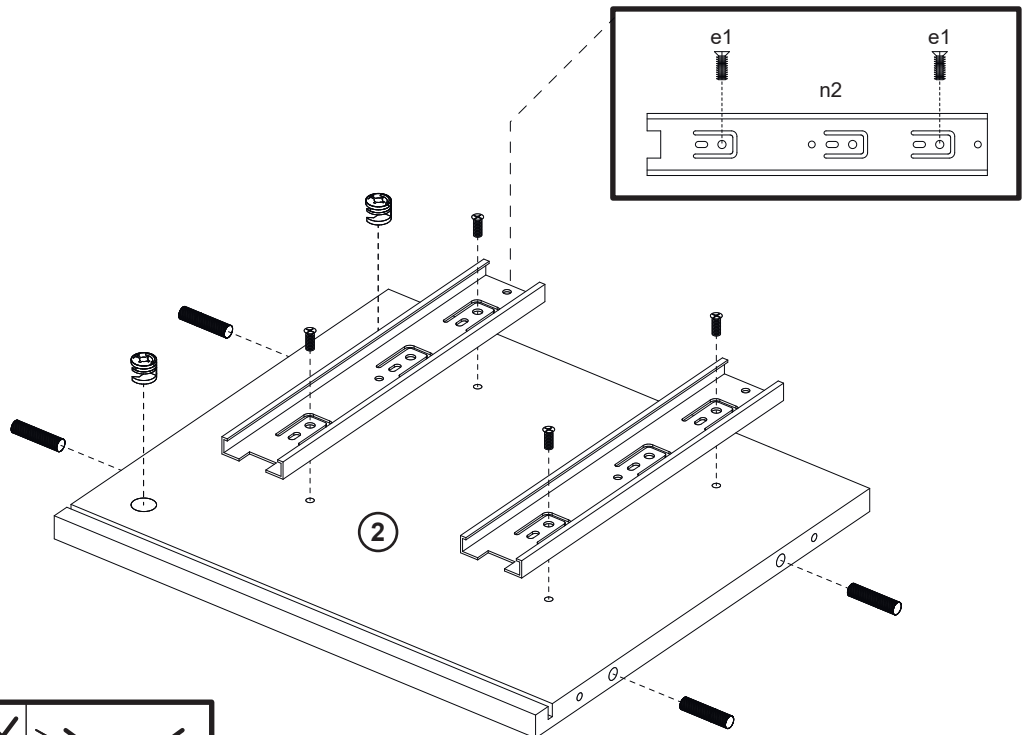
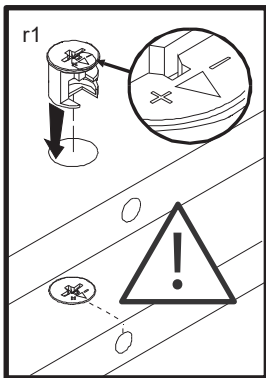
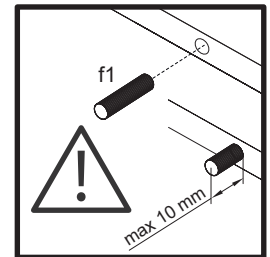
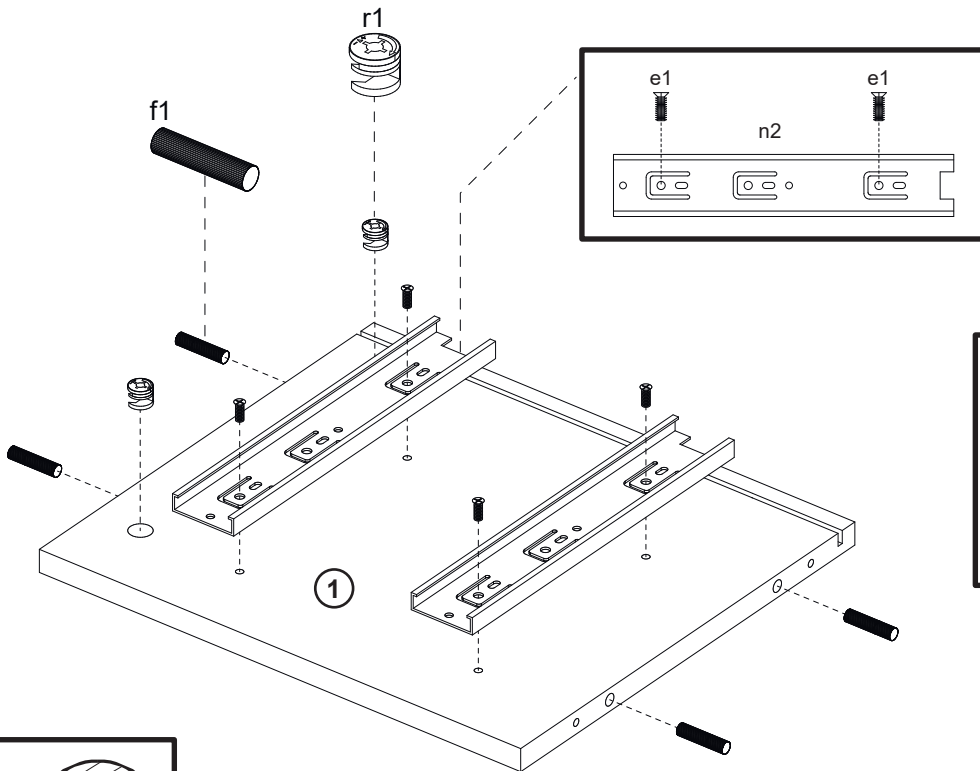


L=250mm

e1 x 8



Ø 5x13mm

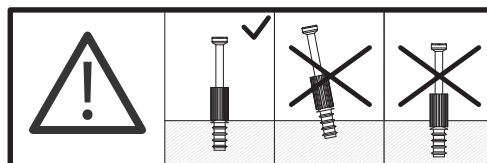
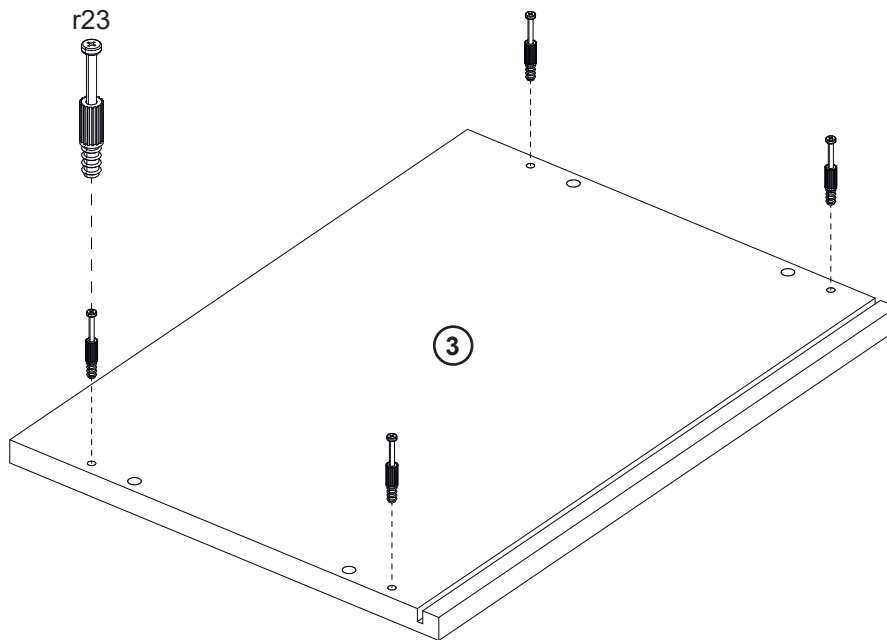
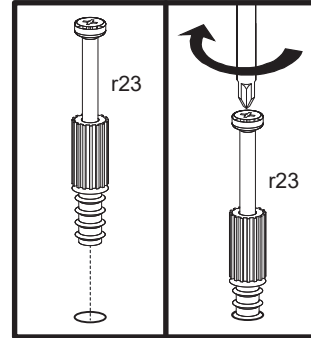


2

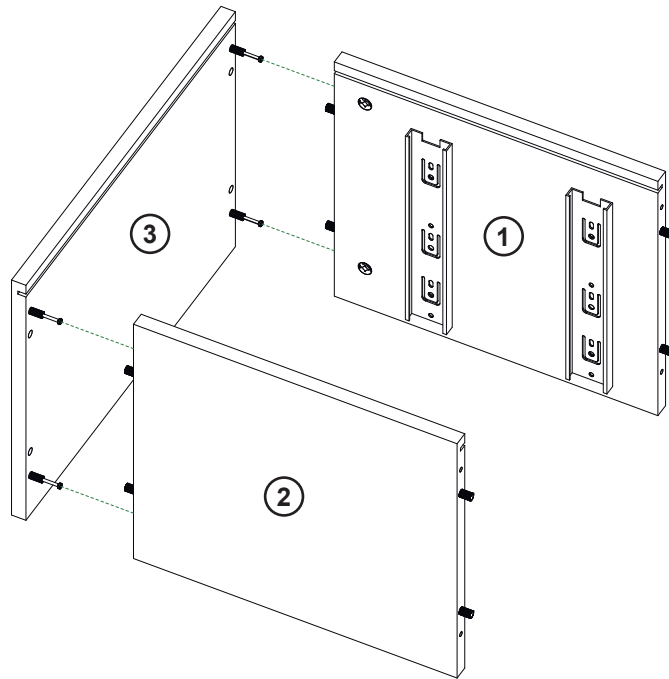
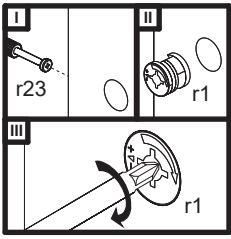
r23 x 4



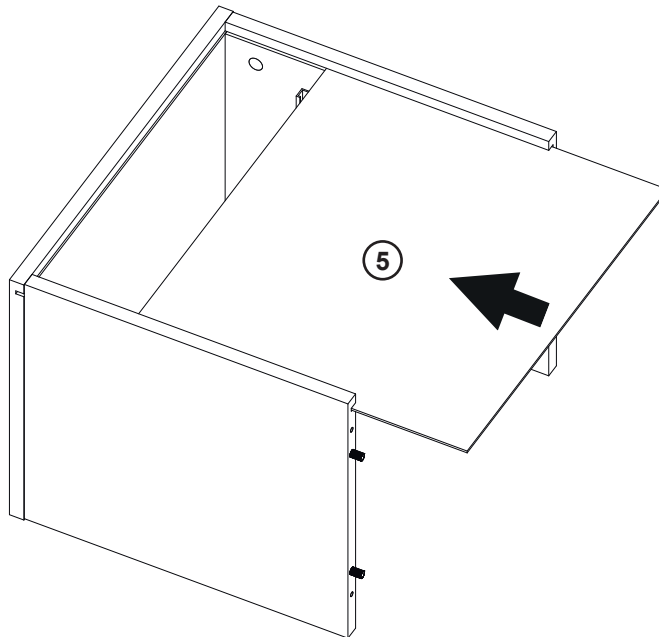
45mm



3



4



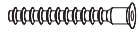
5

z1 x 1

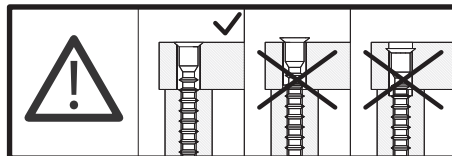
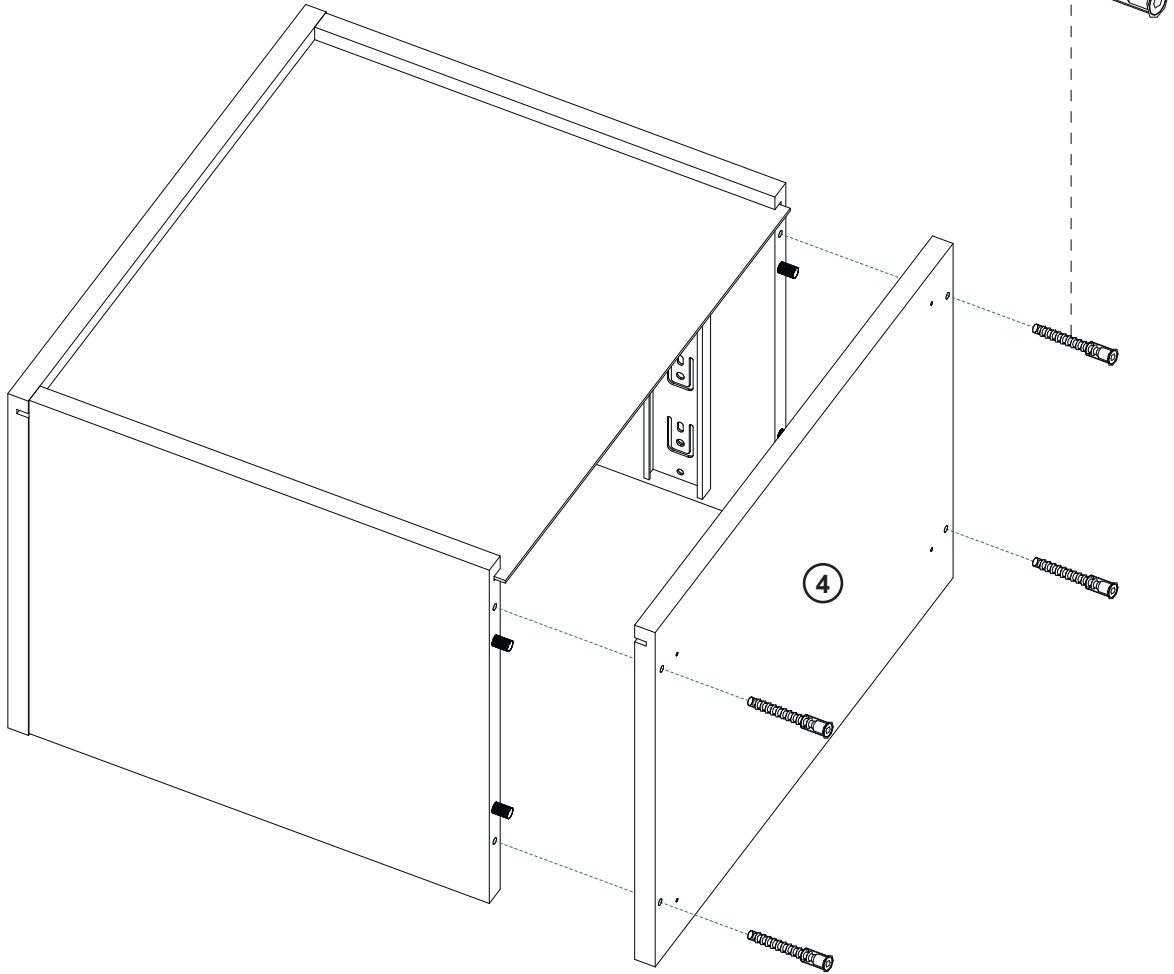
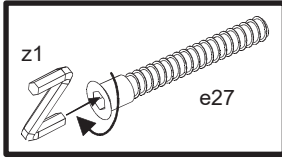


4mm

e27 x 4



Ø 6,3x50mm



6

k43 x 4



25x45x45mm

p25 x 4

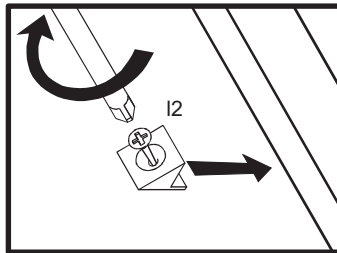
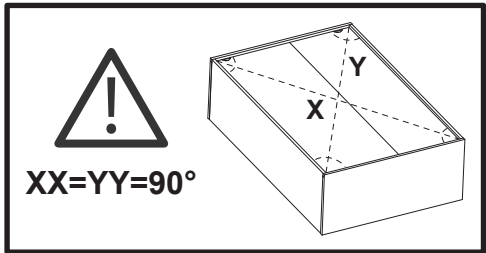
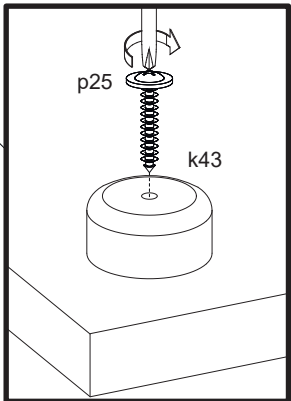
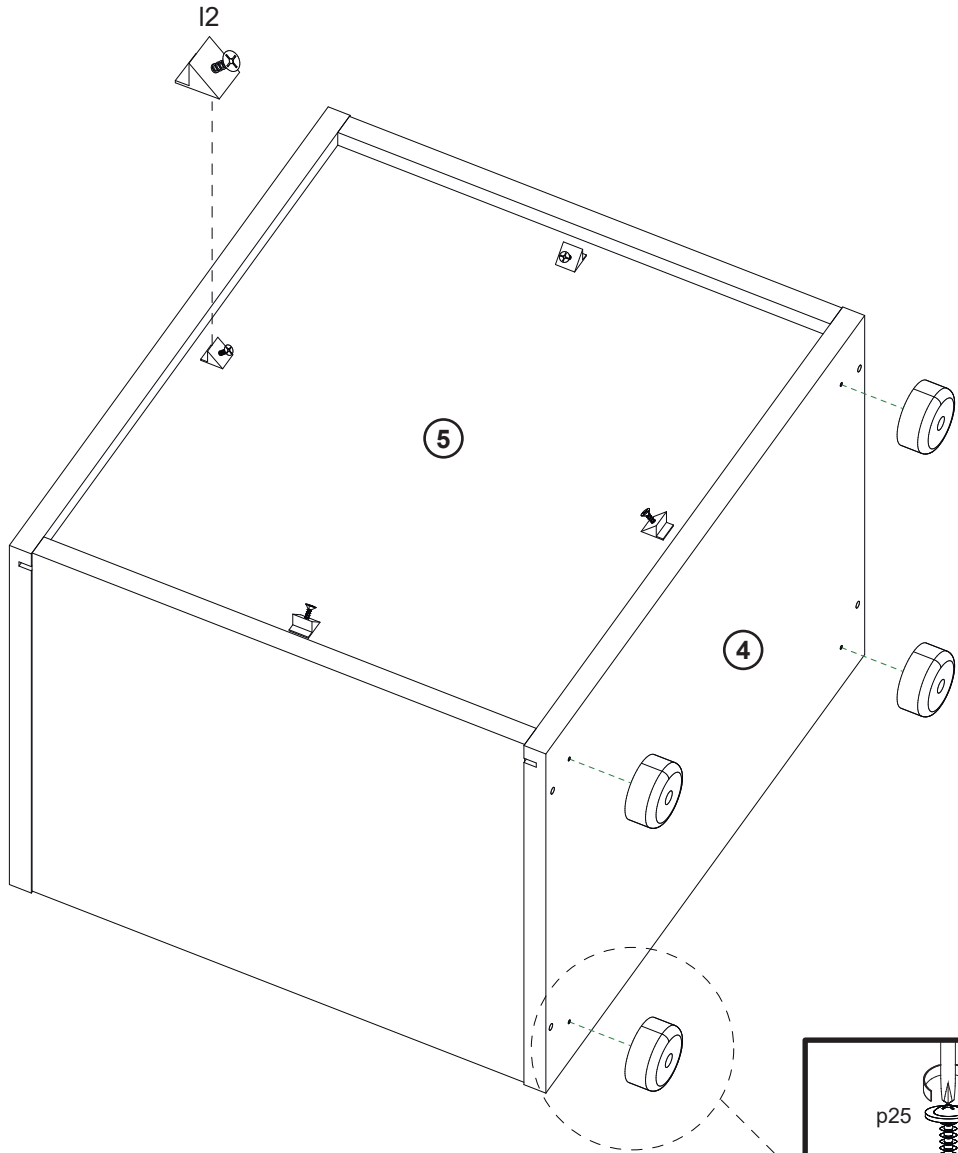


Ø 4,2x25mm

l2 x 4



10x10x15mm



7

z1 x 1
4mm

e27 x 8
Ø 6,3x50mm

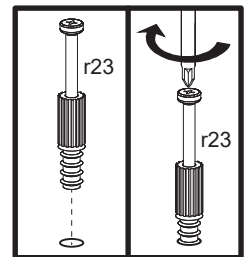
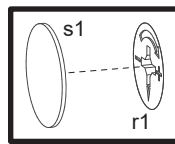
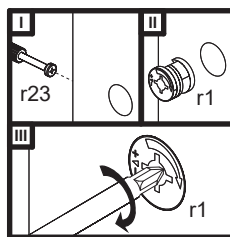
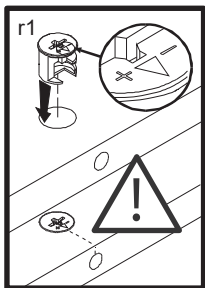
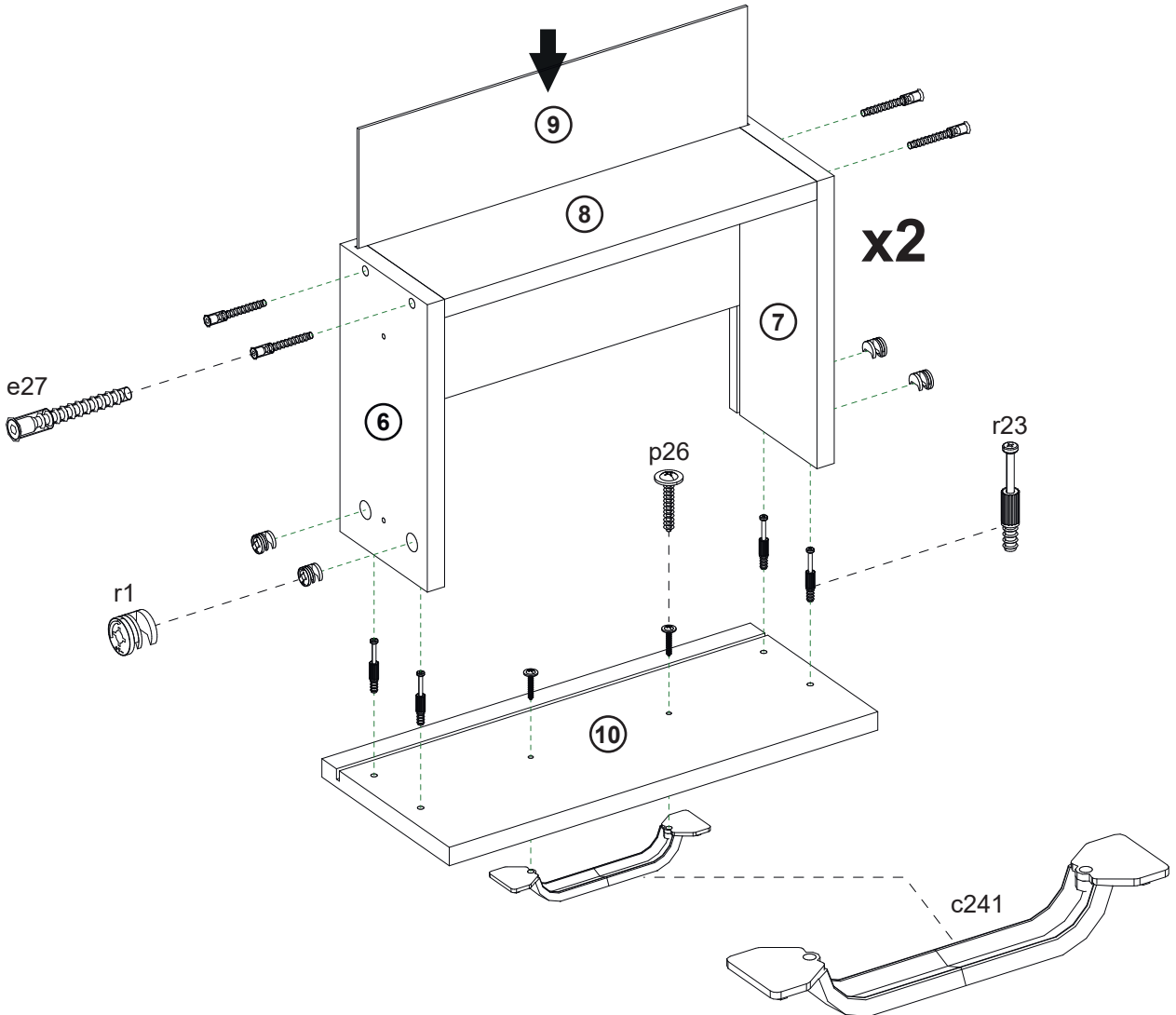
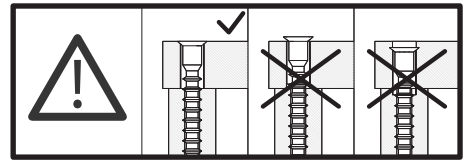
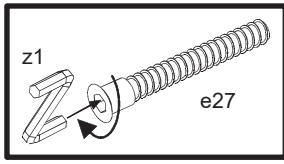
r23 x 8
45mm

r1 x 8
Ø 15x12mm

s1 x 8
Ø 20mm

p26 x 4
Ø 4x25mm

c241 x 2
L=184mm

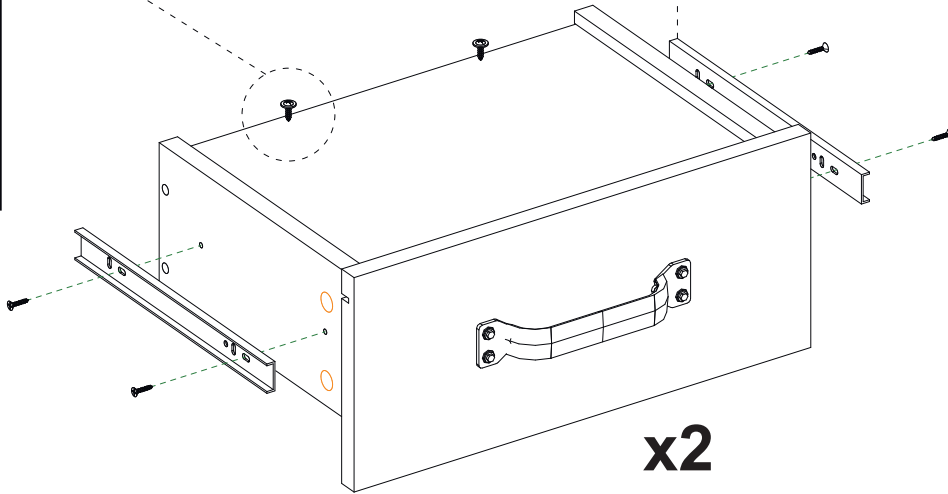
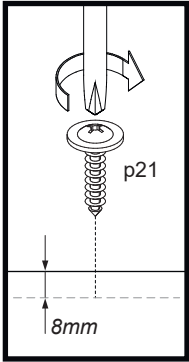
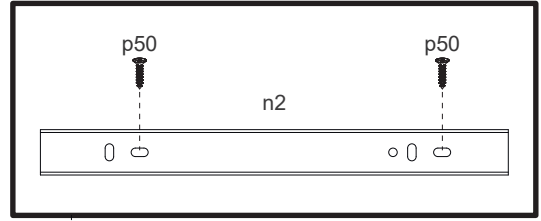


8

n2 x 2
L=250mm

p50 x 8
Ø 3x16mm

p21 x 4
Ø 4,2x16mm



9

