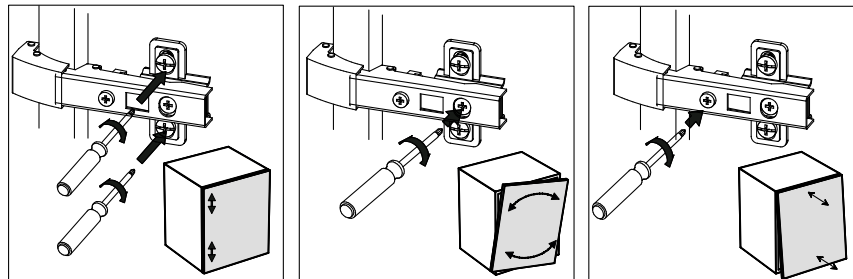
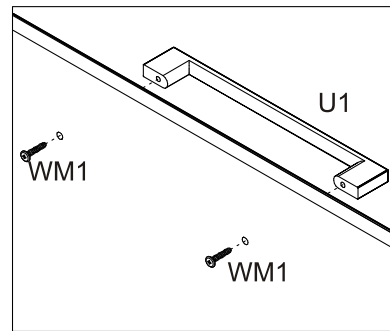
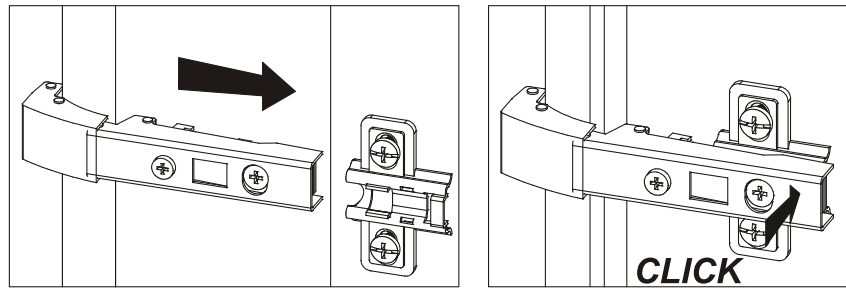
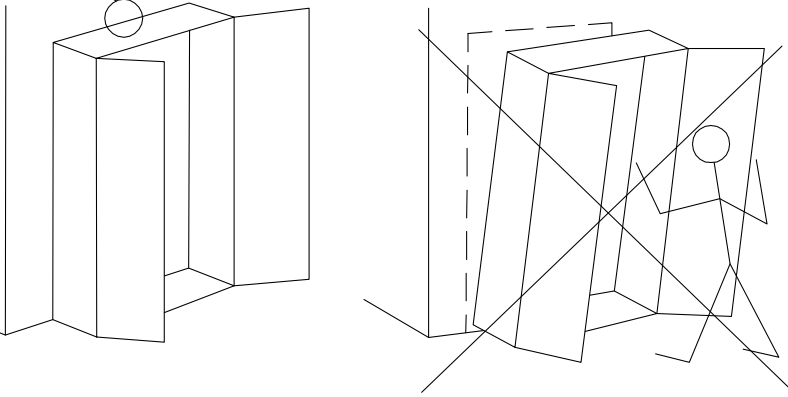
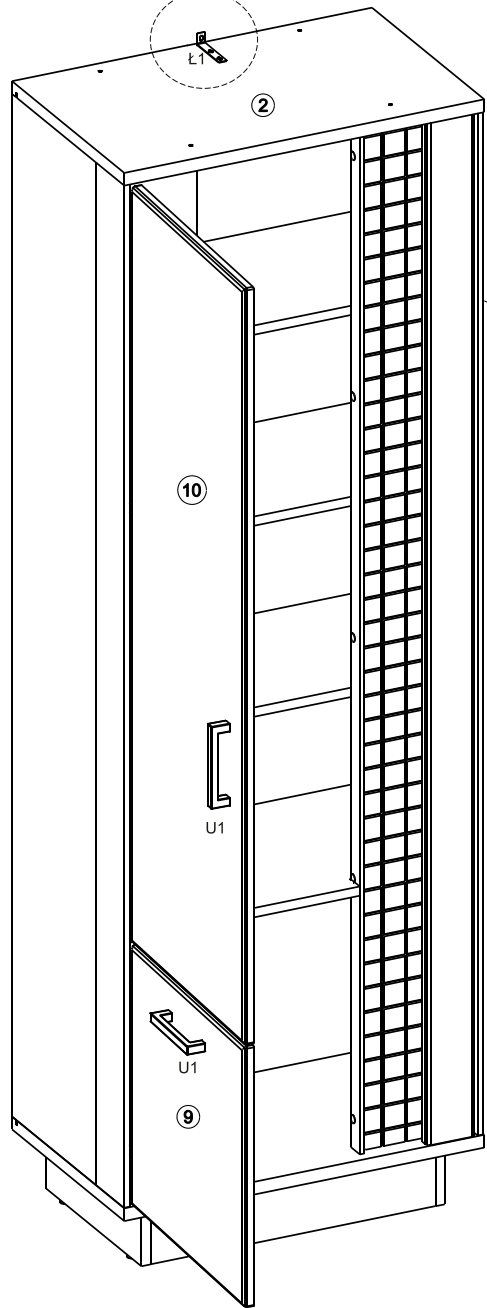
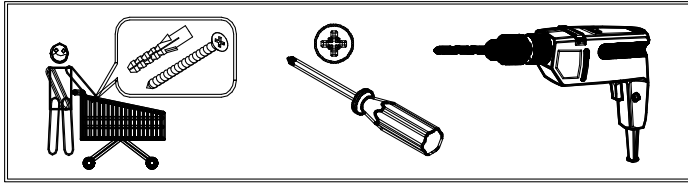
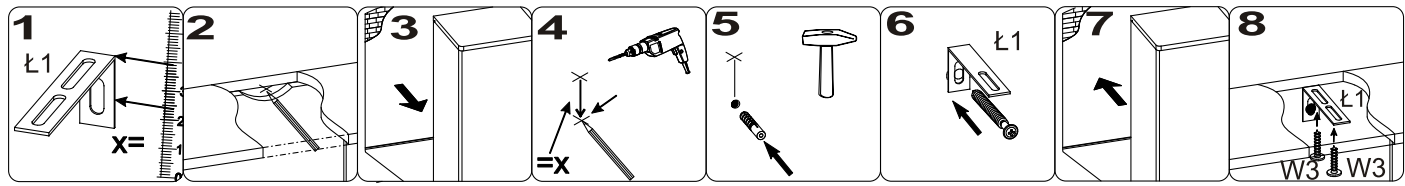
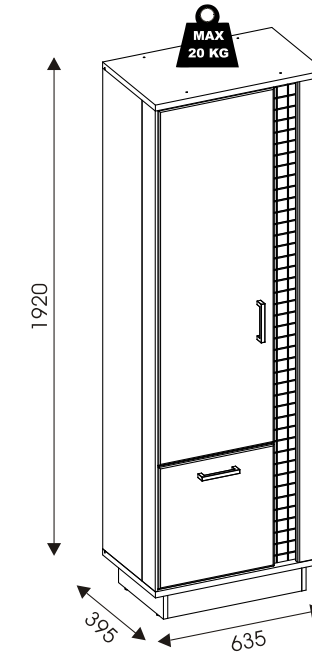
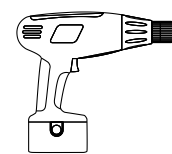
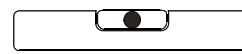
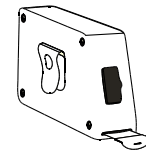
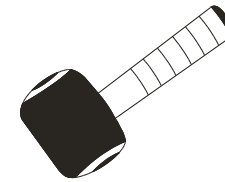
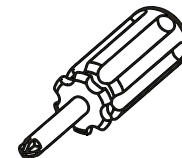
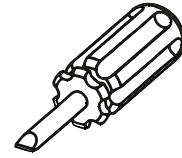
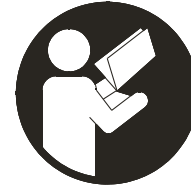


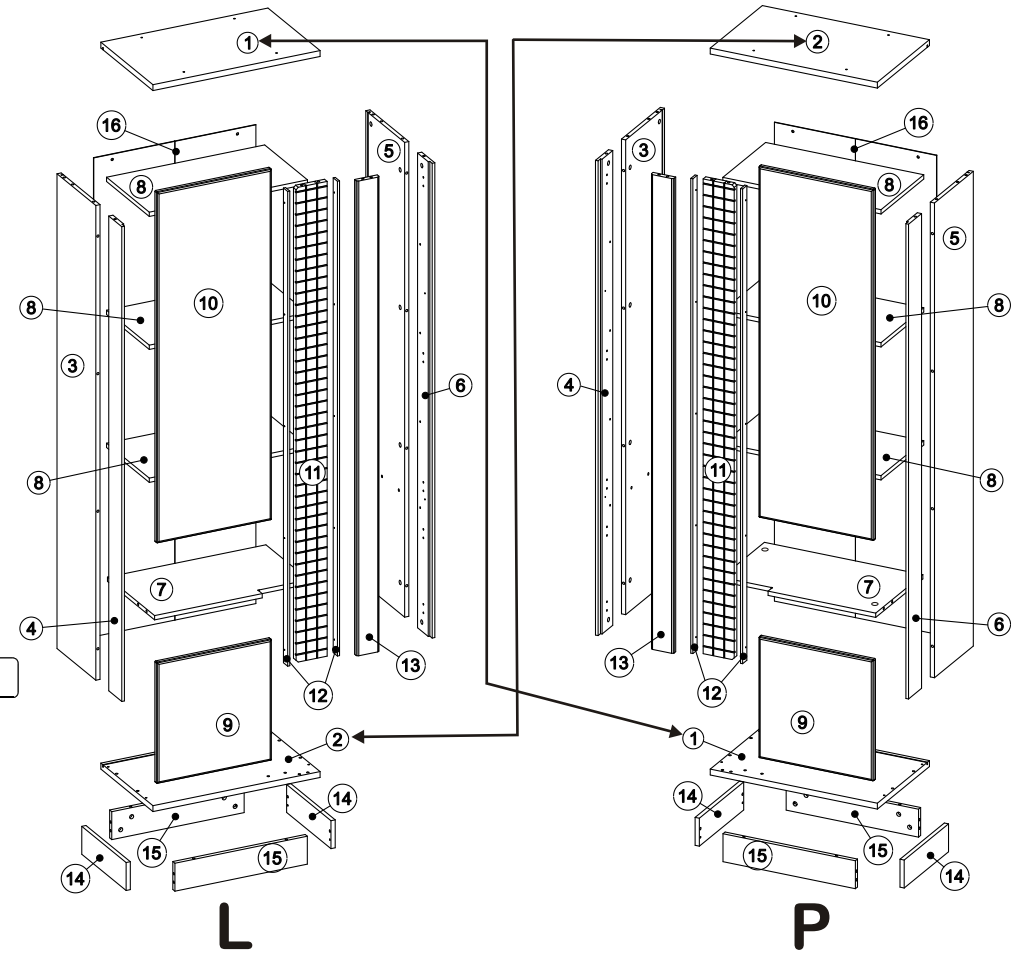
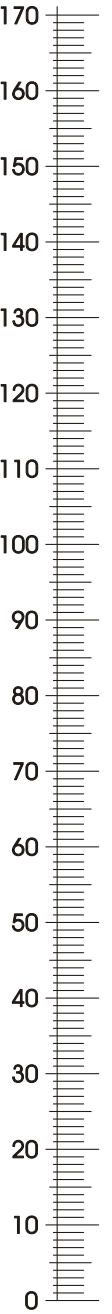
18 ▶



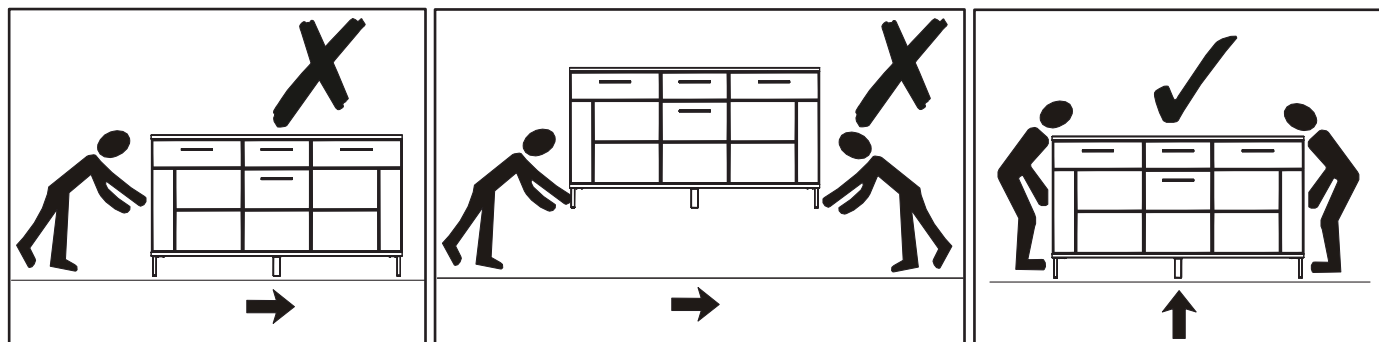
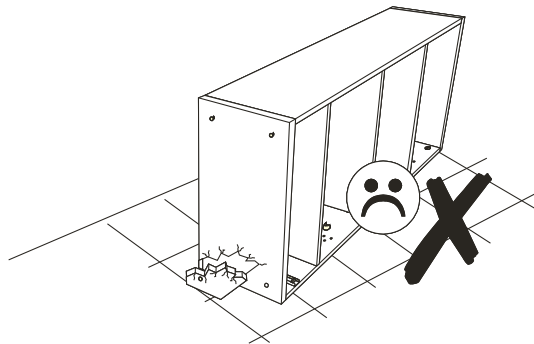
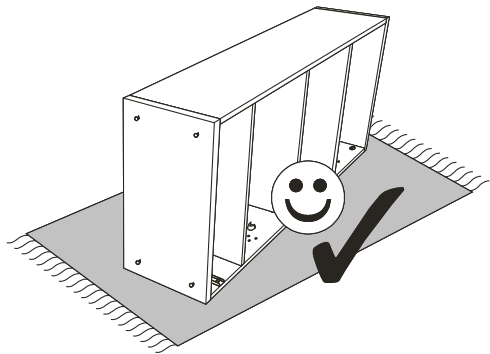
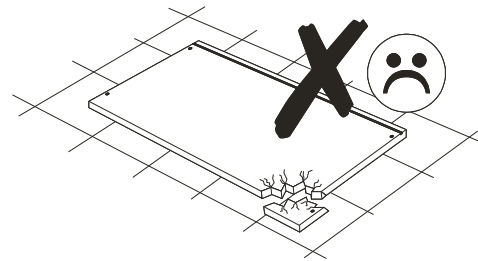
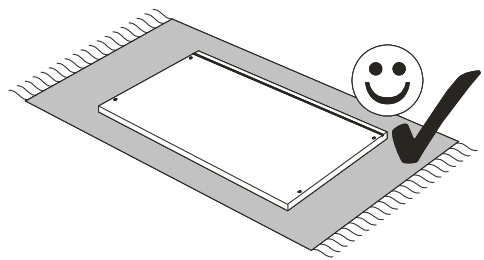
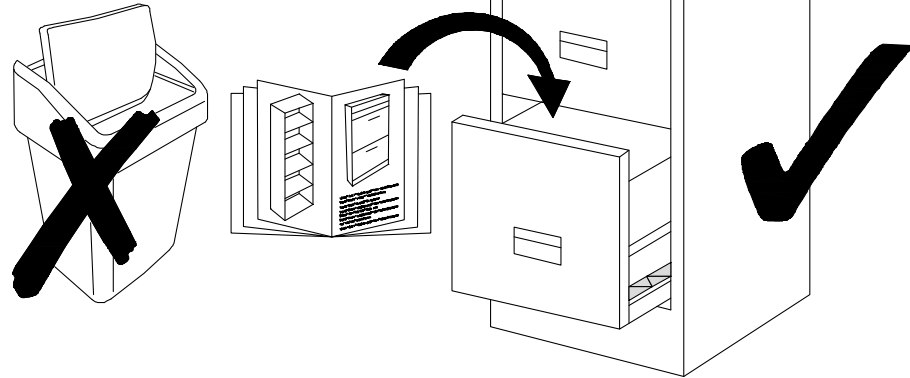
MODEL : MR8



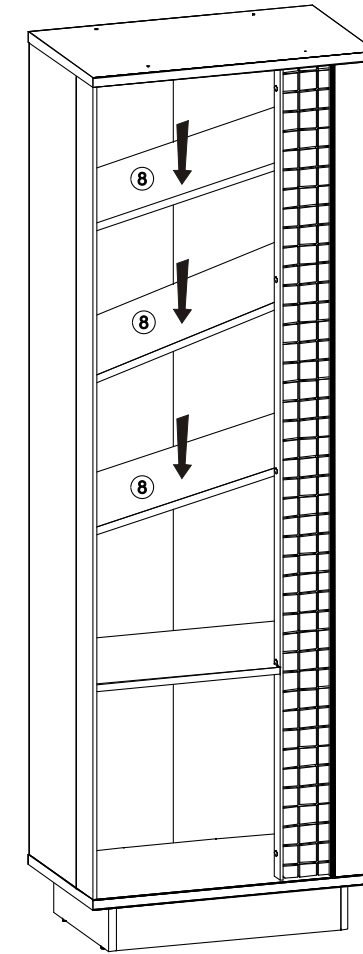
16	616x1782	2/3
15	503x104	3/3
14	337x104	3/3
13	1767x86	2/3
12	1767x32	2/3
11	1767x118	2/3
10	1307x436	3/3
9	436x451	3/3
8	601x325	1/3
7	602x358	1/3
6	1767x99	2/3
5	1767x295	2/3
4	1767x99	2/3
3	1767x295	2/3
2	635x396	1/3
1	635x396	1/3



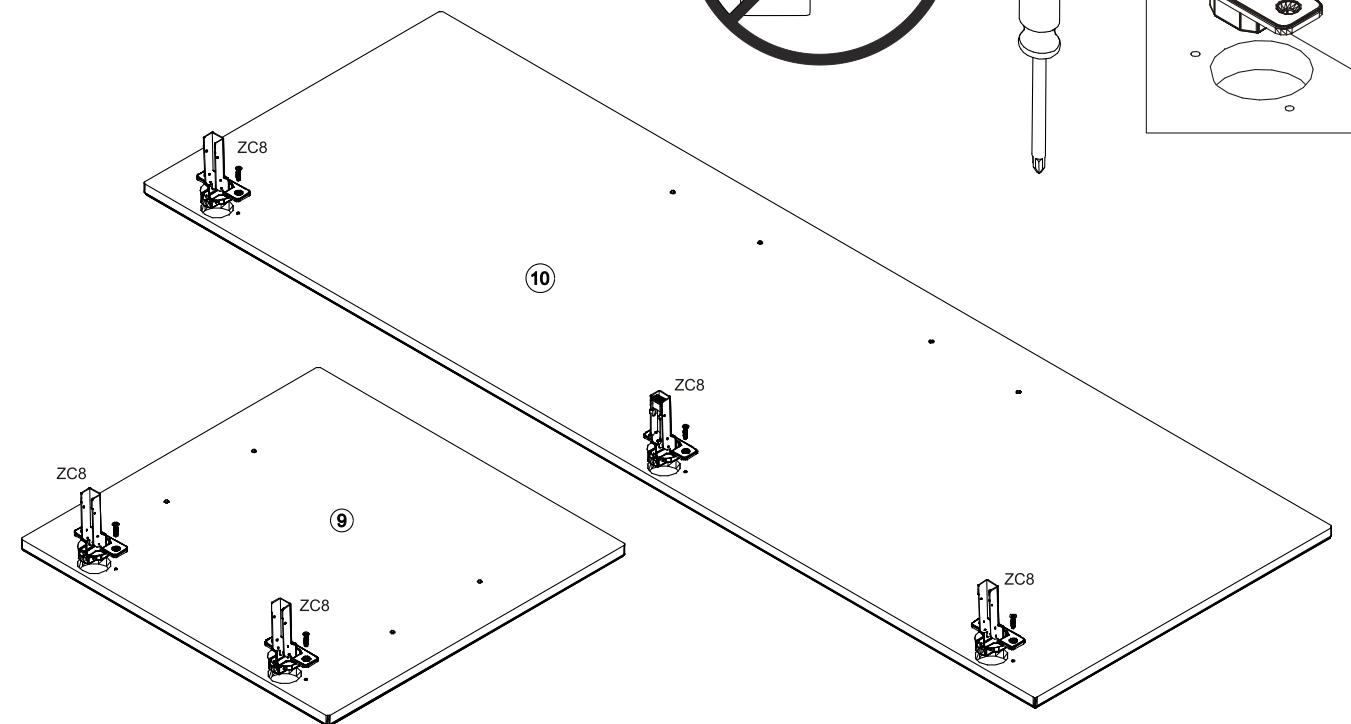
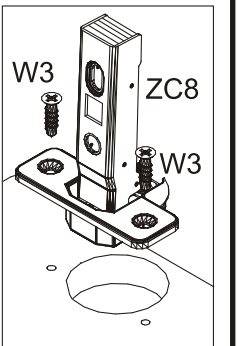
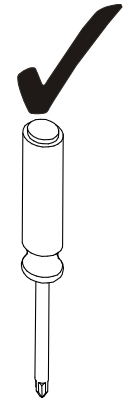
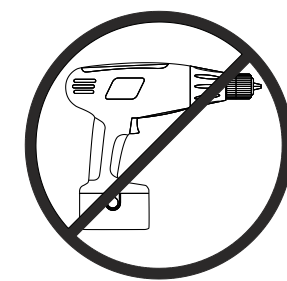
							1x	1x
							LED 10x10x1765	ℓ1
4x	16x	12x	5x	10x	12x	5x	2x	4x
#20/325 ZN2	3.5x16 W3	ST1	ZC8	3x25 W10	3x20 W9	H=2 PR2	U1	N1
5x	24x	12x	2x	28x	28x	4x	16x	4x
#14/112 ZN3	8x30 K1	B1	Z10	#15/15 M1	DU232T T1	4x30 WM1	#20/112 ZN1	2x20 G1



16▶

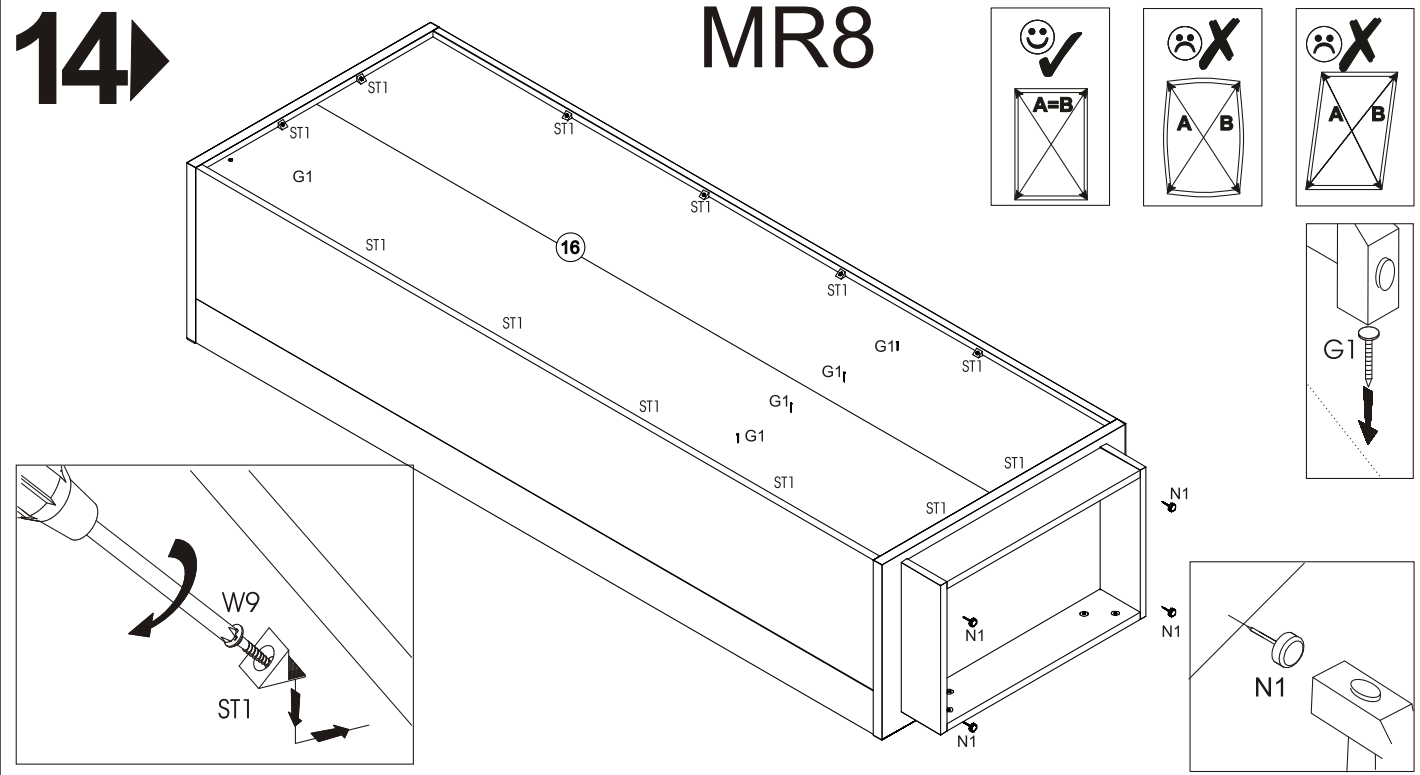


17▶

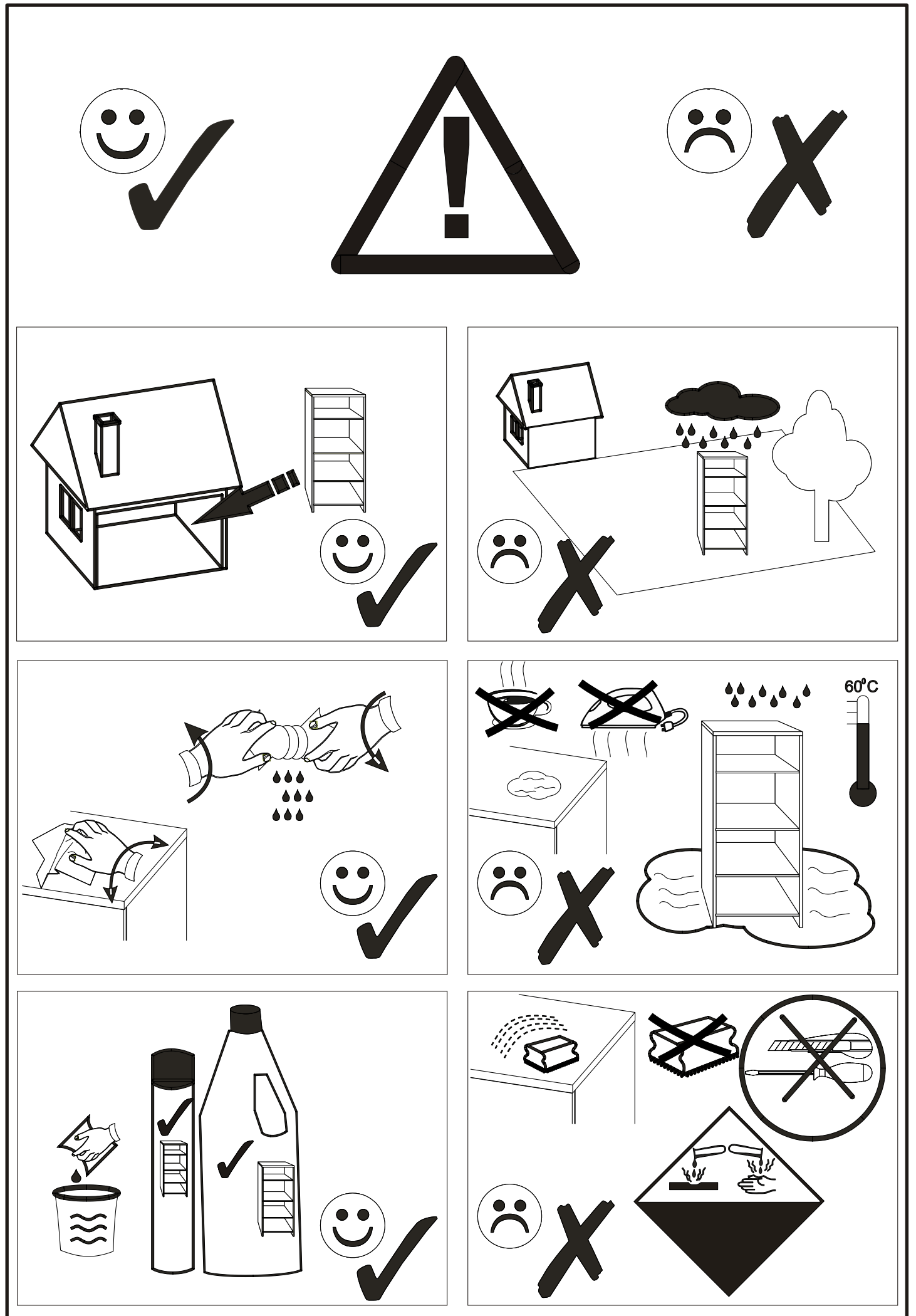
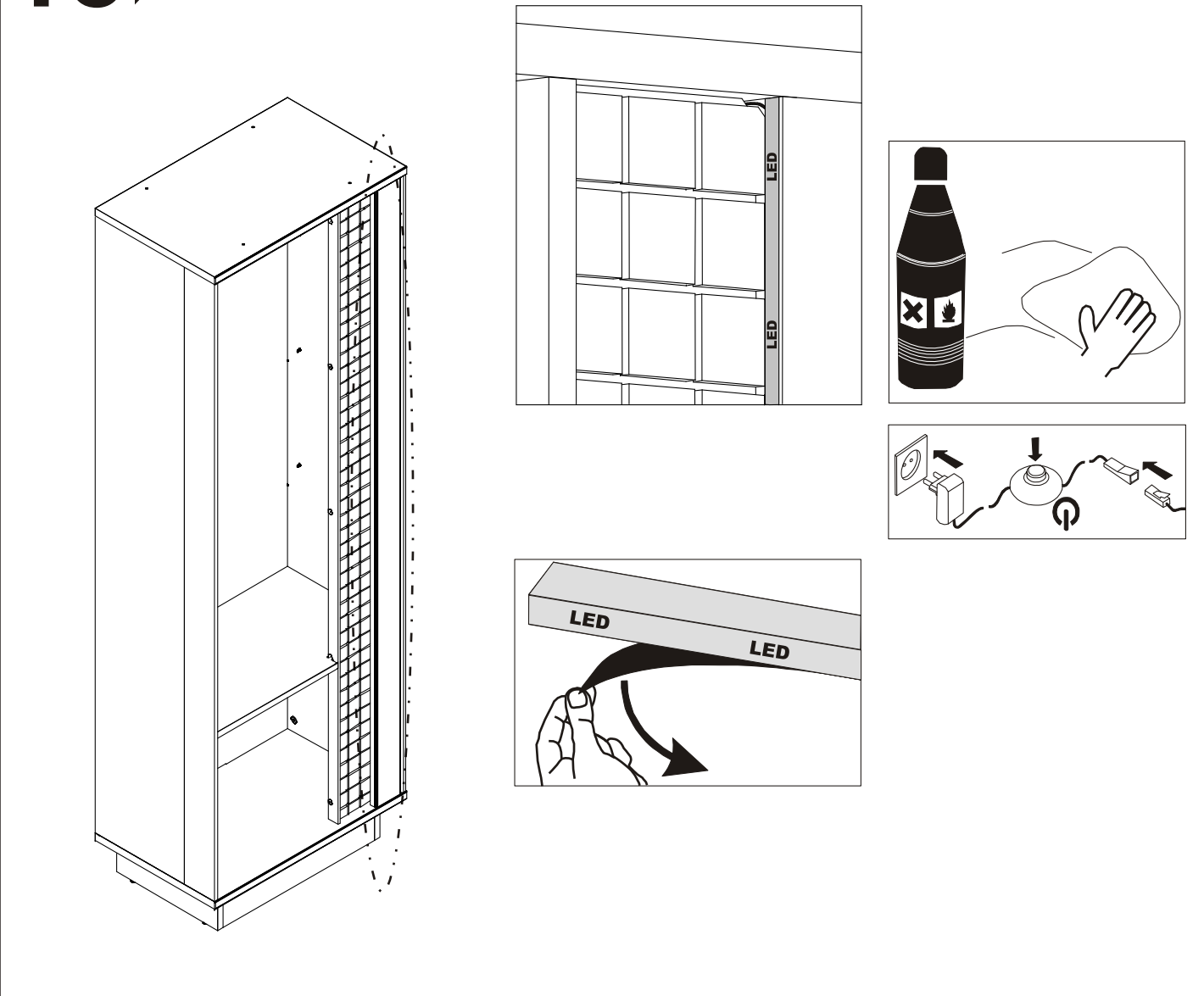


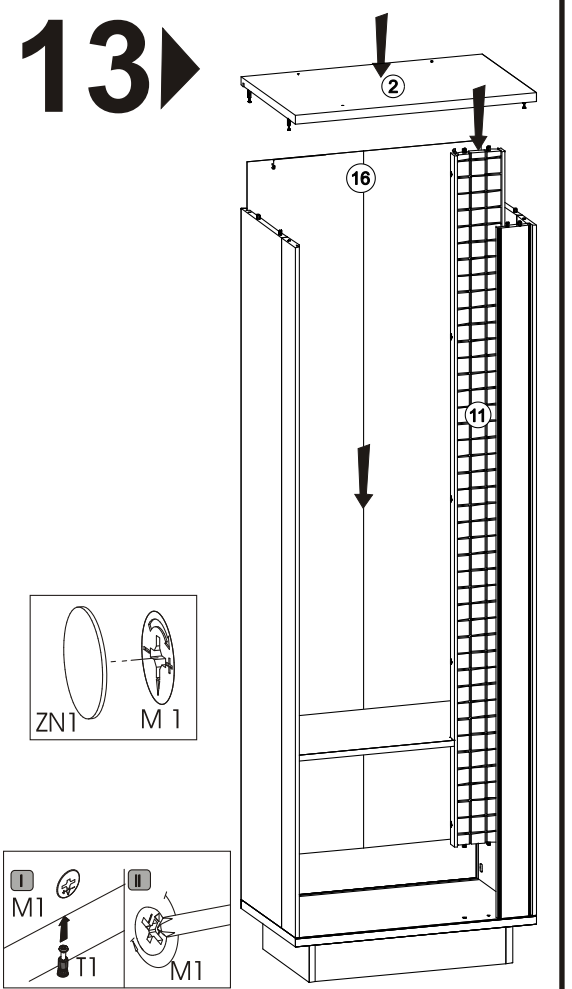
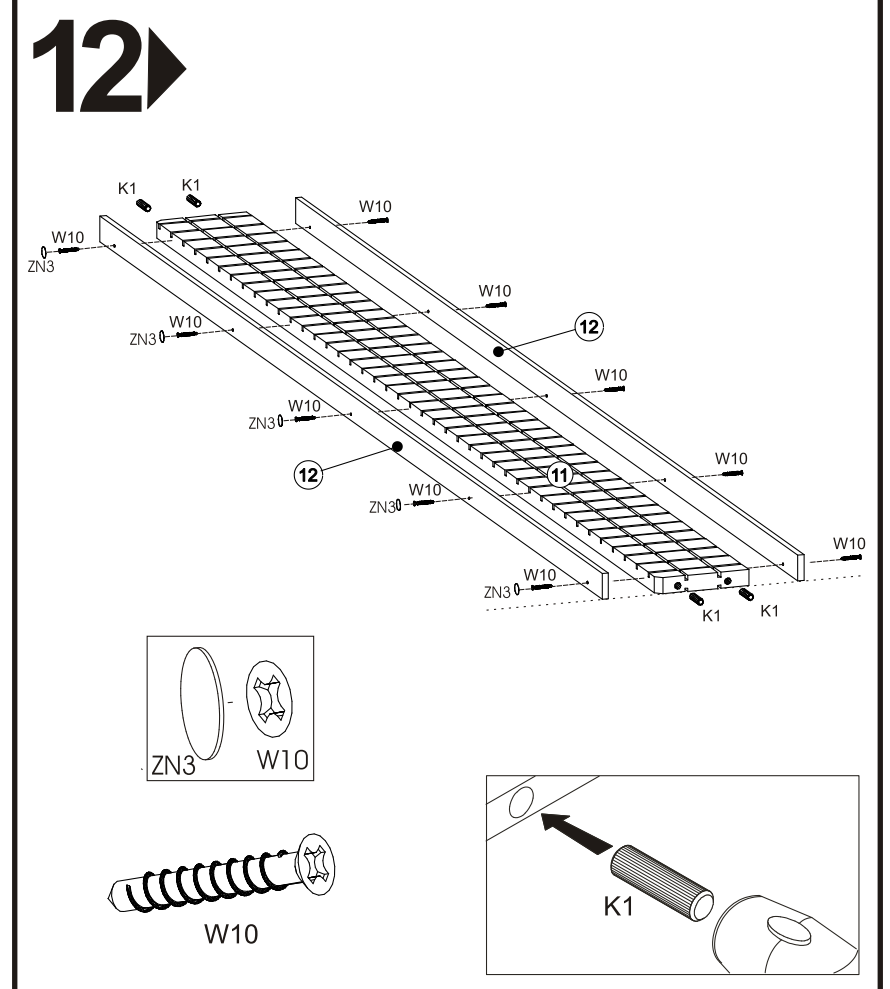
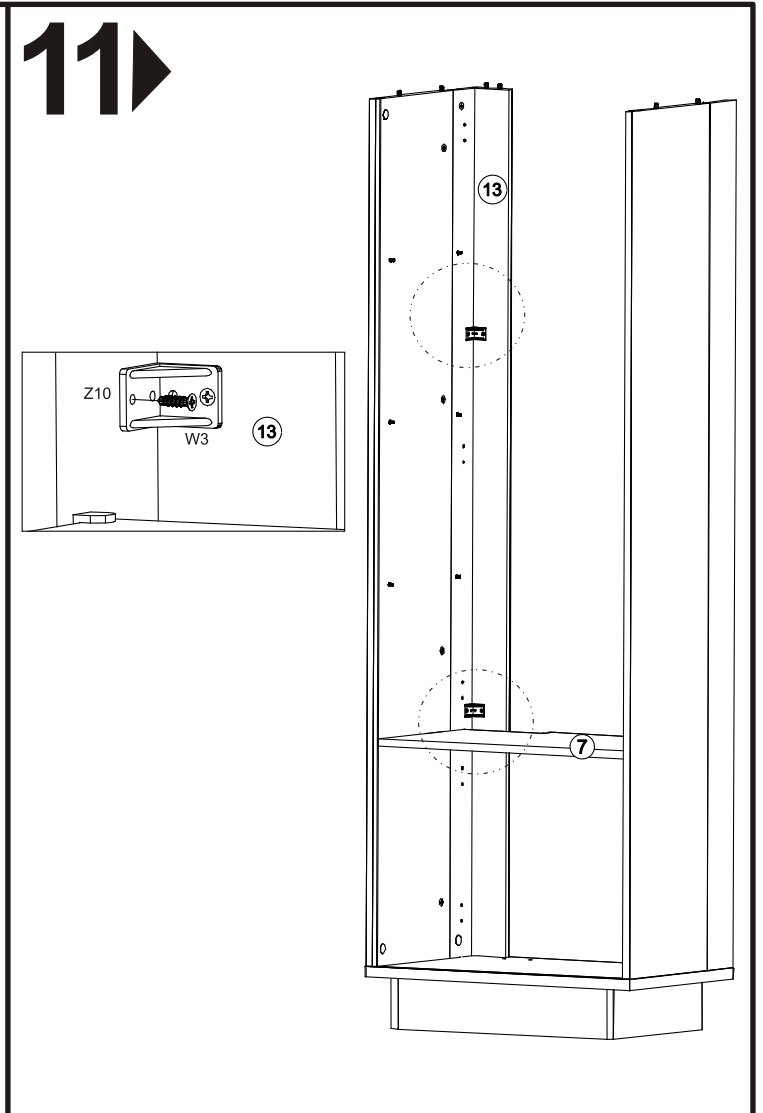
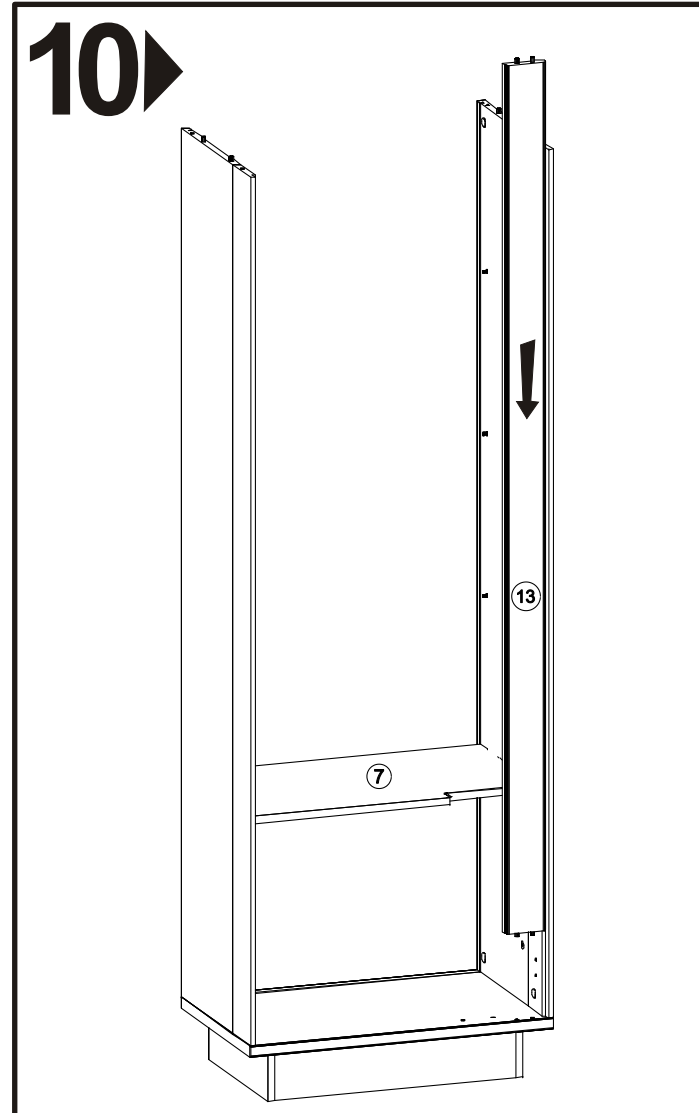
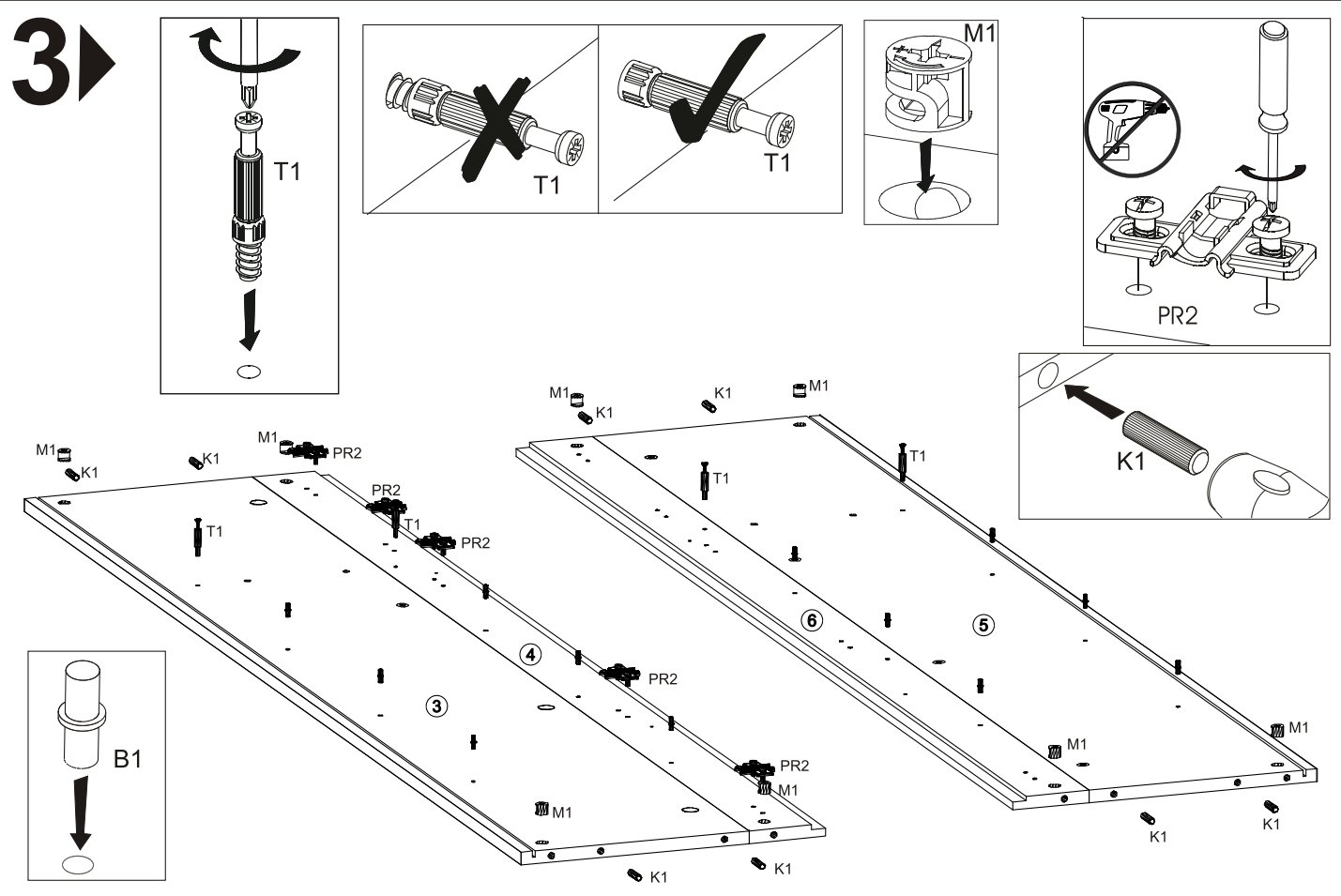
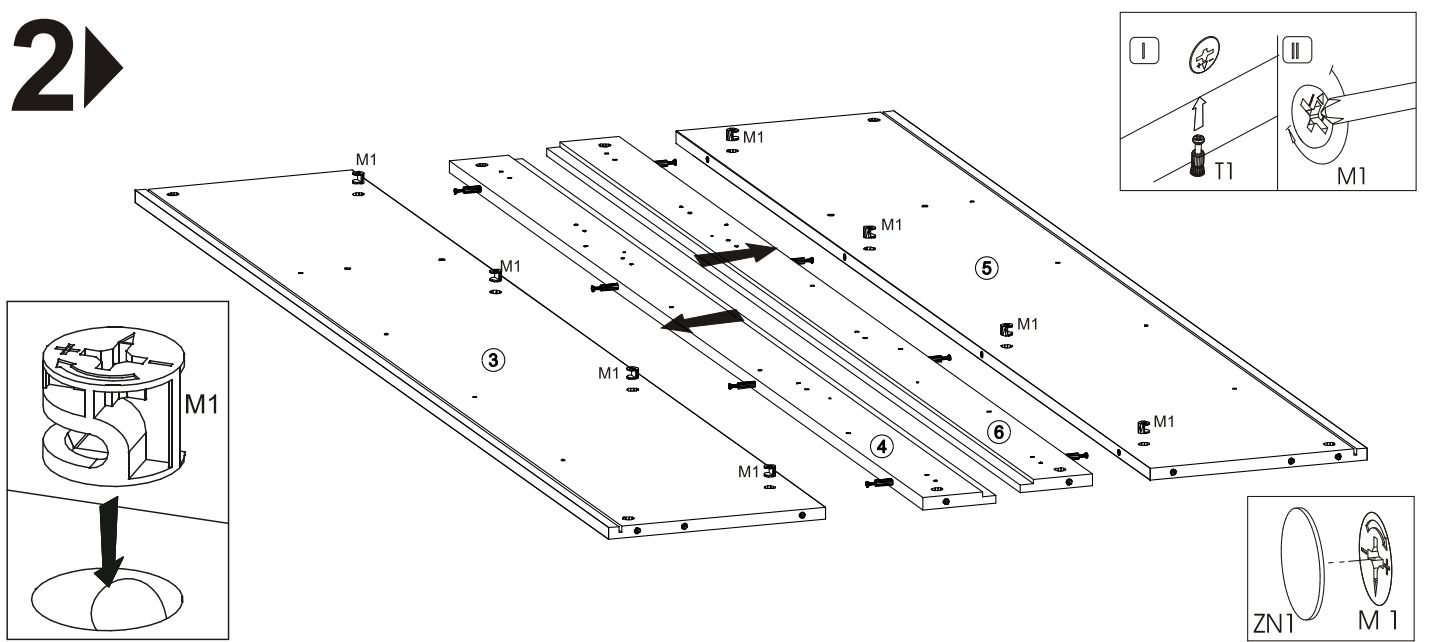
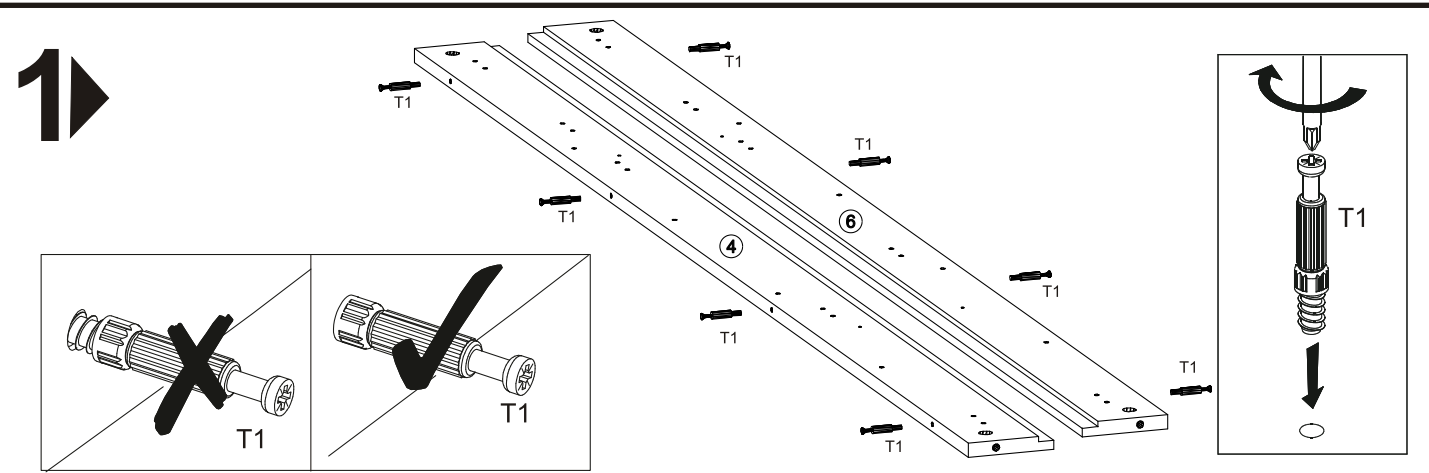
14

MR8

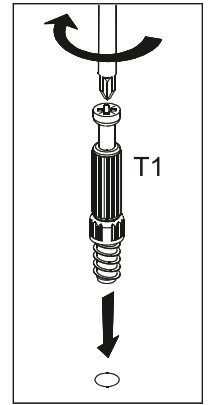
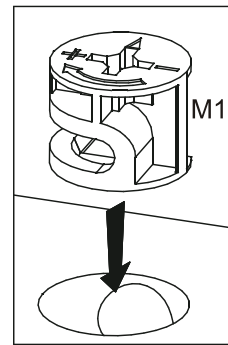
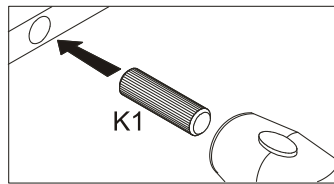
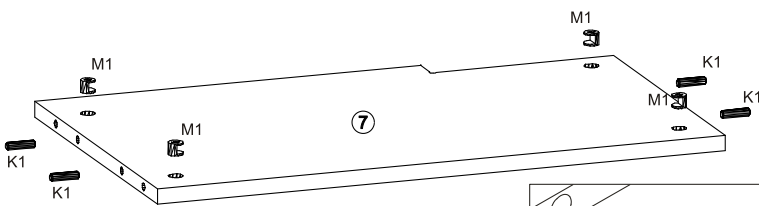
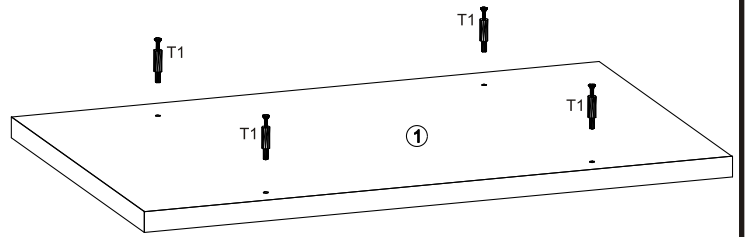
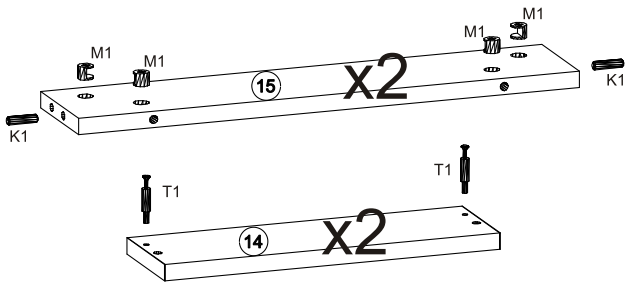
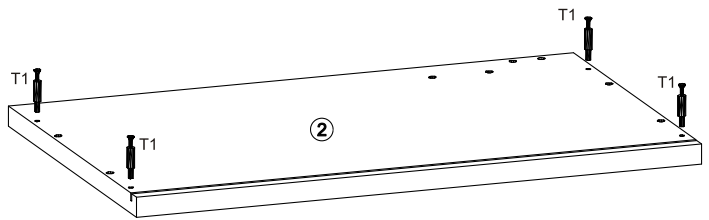
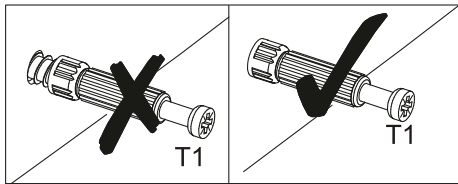


15

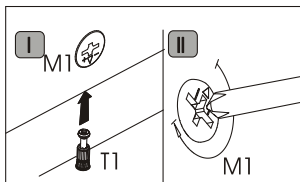
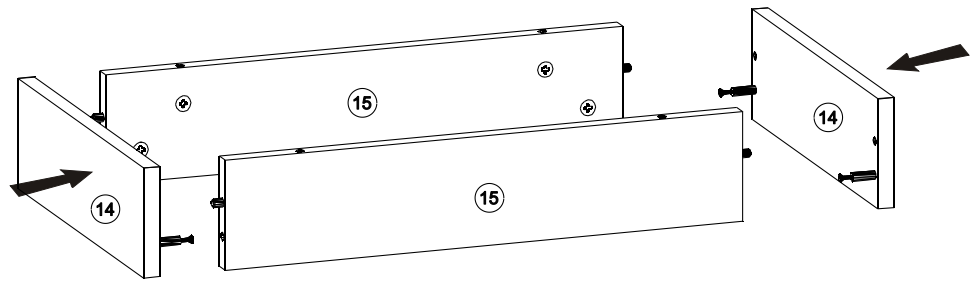




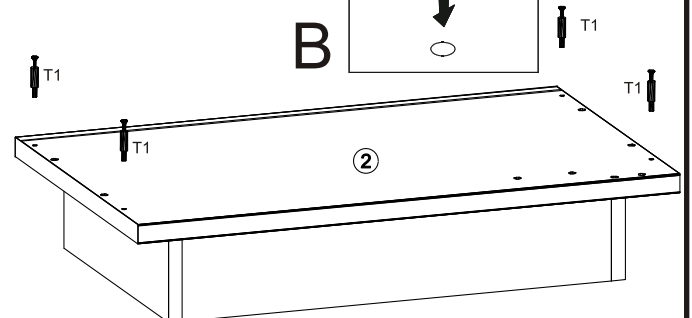
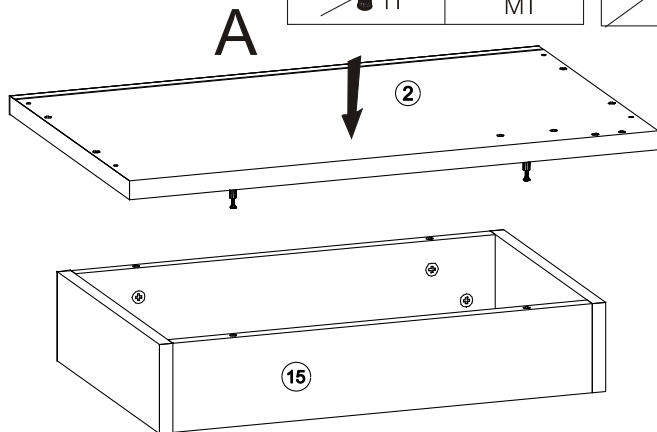
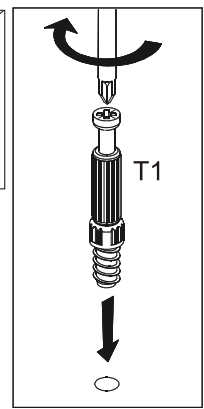
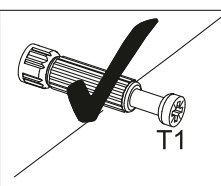
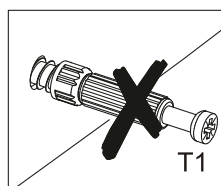
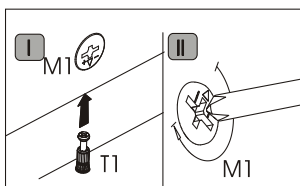
4



5

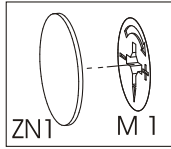
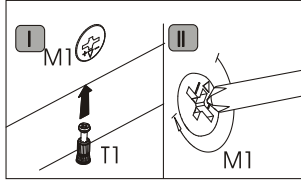
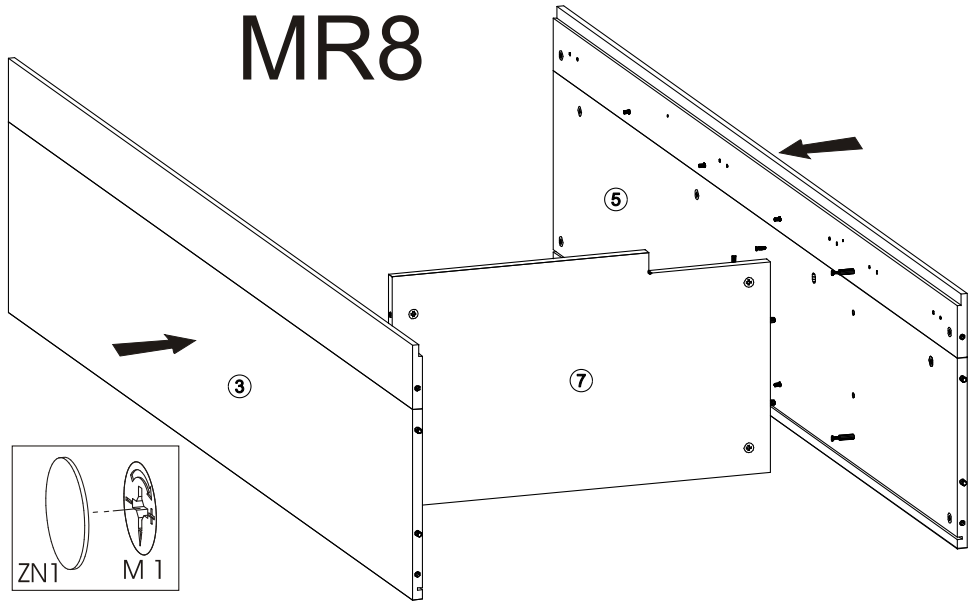


6

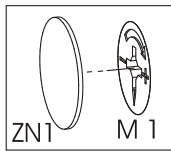
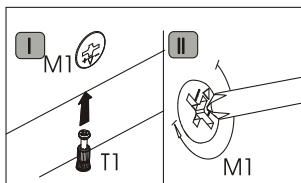
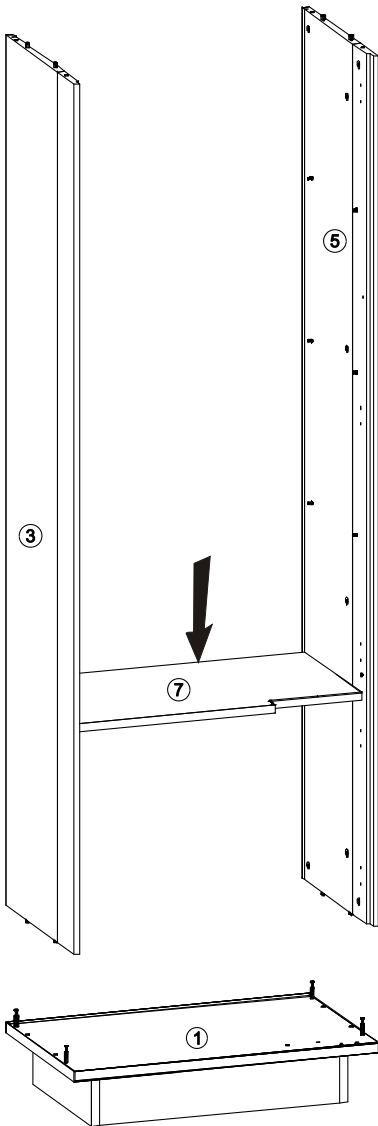


7 ▶

MR8



8 ▶



9 ▶

