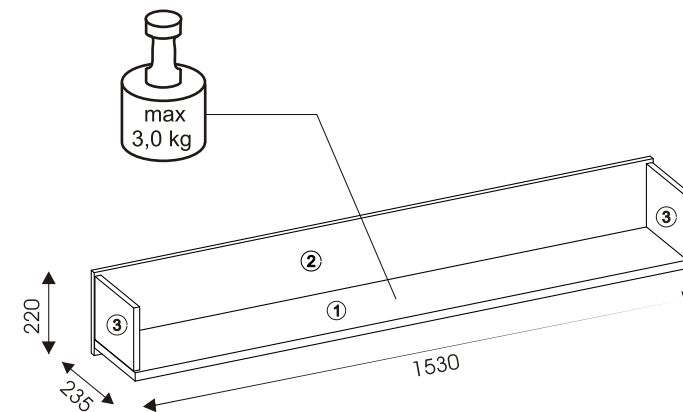
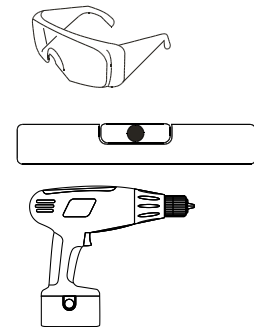
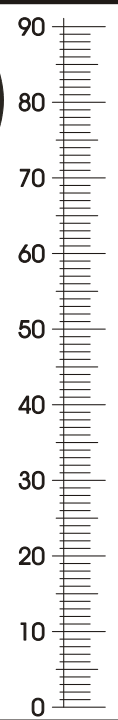
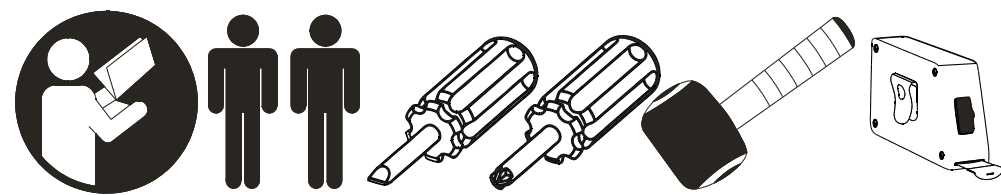
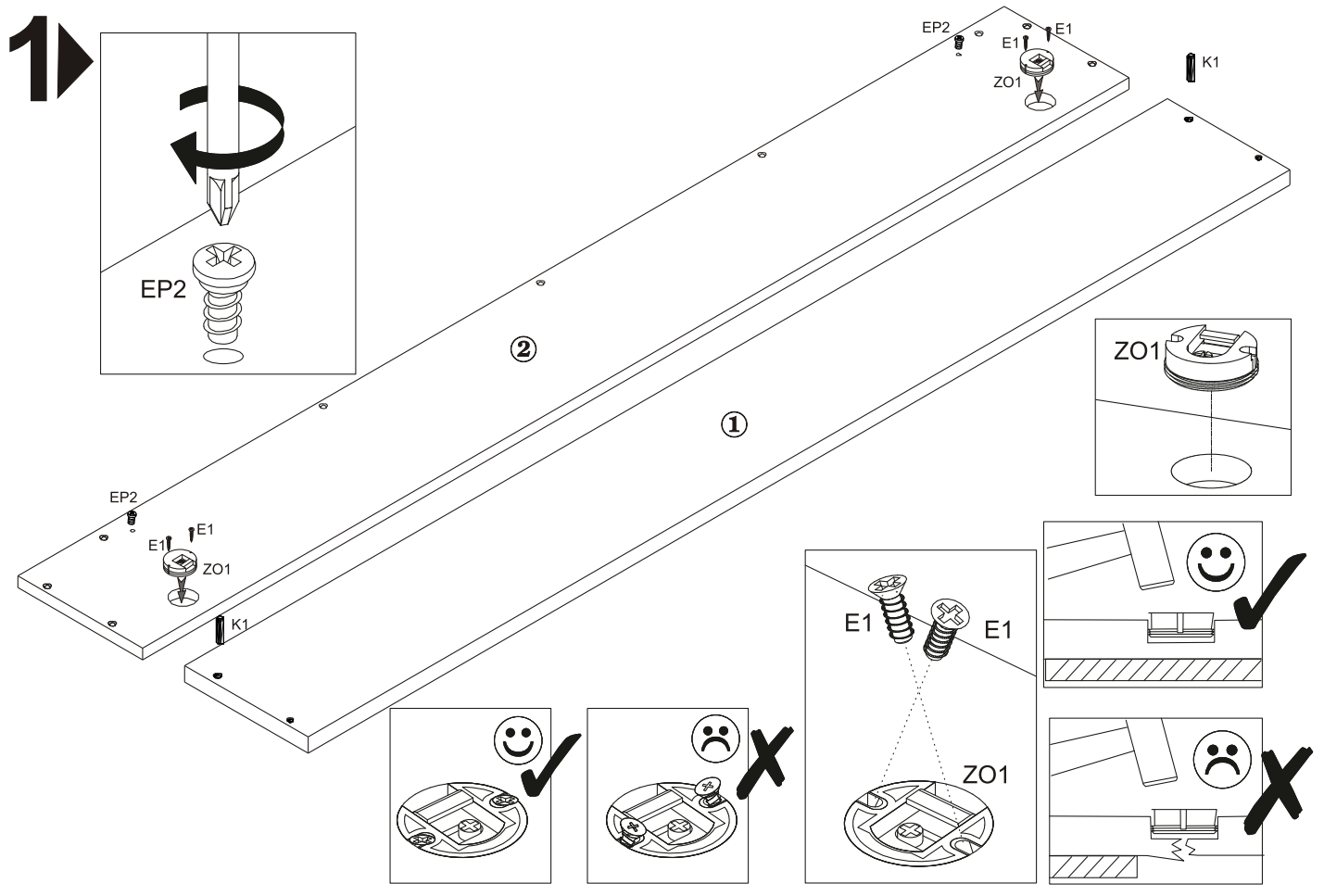


MODEL : MR10



3	200x160	1/1
2	1530x218	1/1
1	1528x218	1/1



#14/112 2x ZN3	5x60 2x W26	10x50 2x D1	5x11 4x E1	6,4x50 11x K5	6,3x13 2x EP2	8x30 2x ZO1	8x30 2x K1	1x K20
----------------------	-------------------	-------------------	------------------	---------------------	---------------------	-------------------	------------------	-----------

