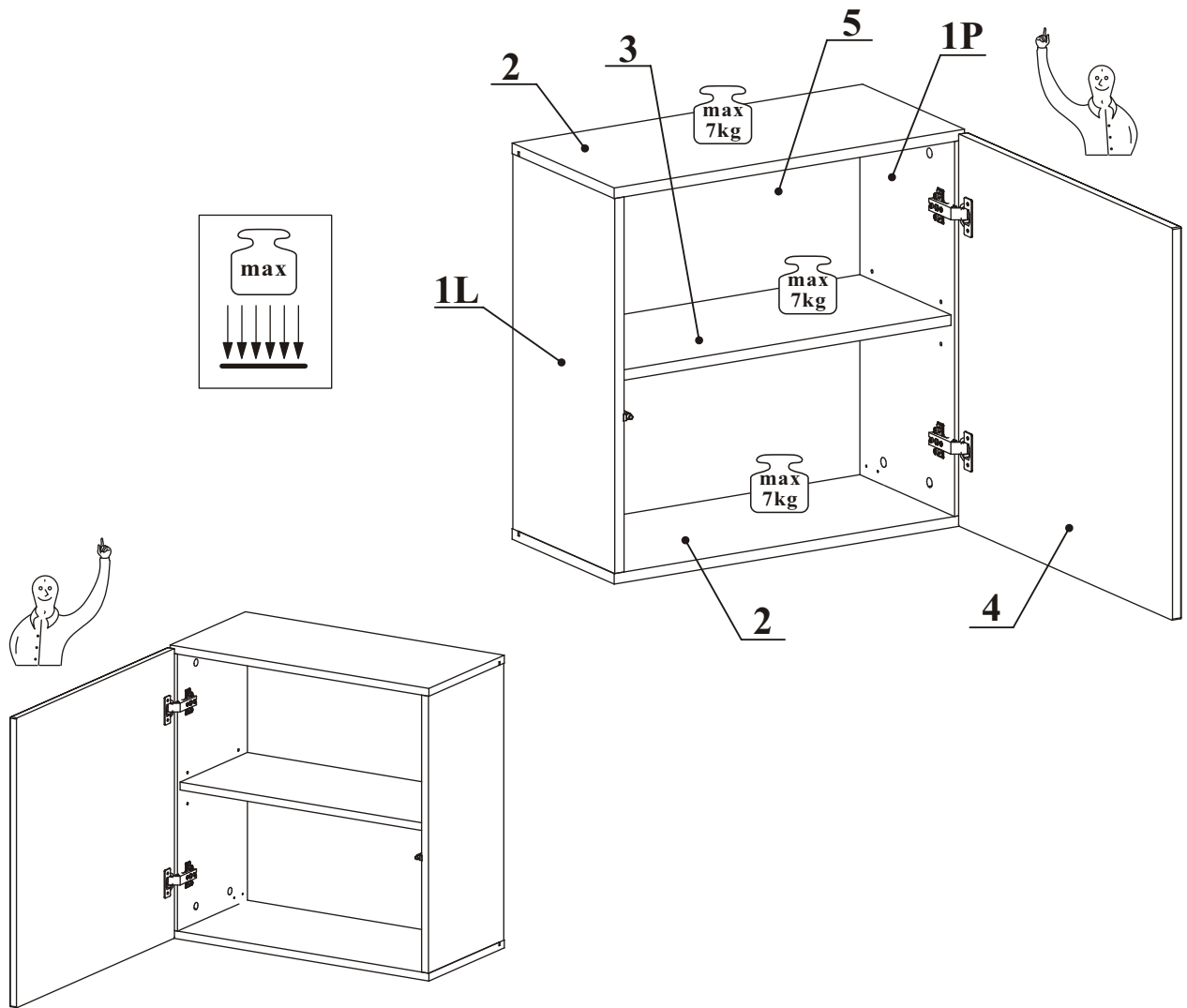
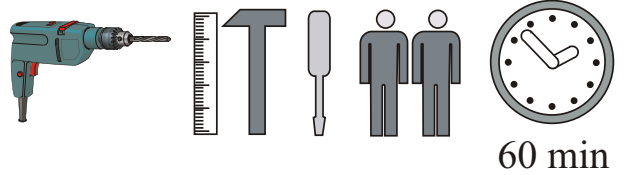


# SWITCH SW3



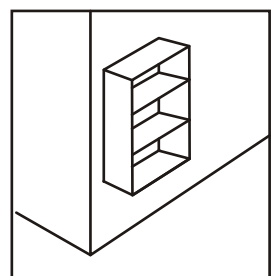
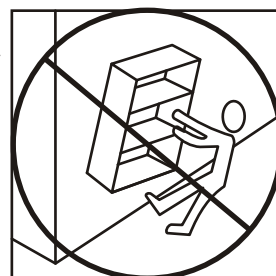
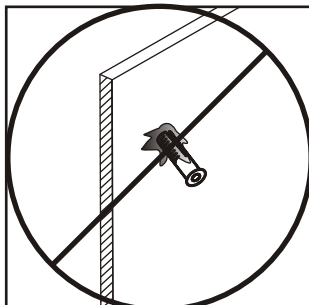
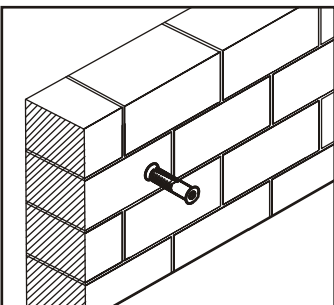
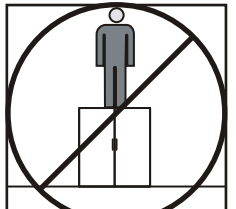
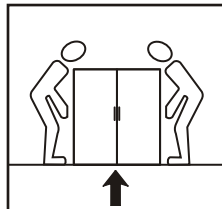
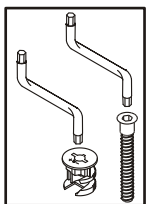
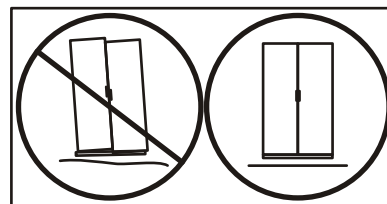
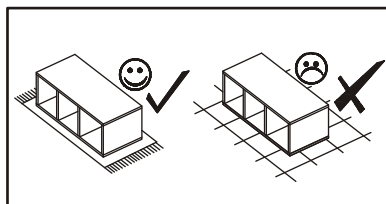
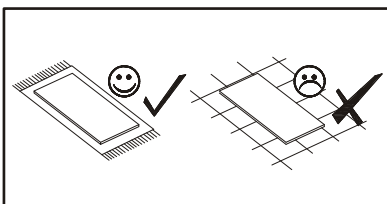
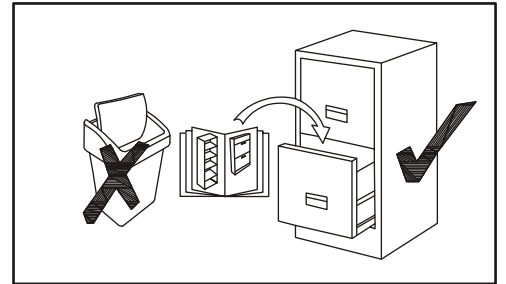
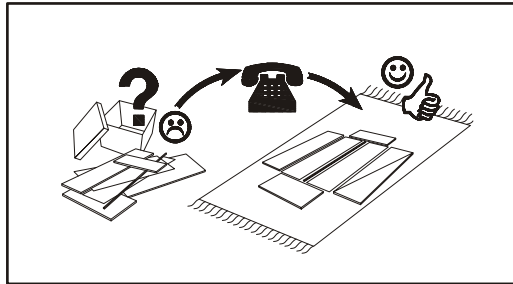
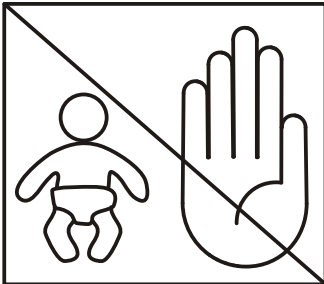
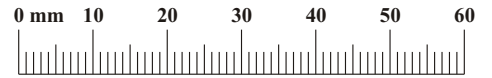
NO	Dim.		Col.-No	Qty
1 L/P	570	284	1	2
2	602	284	1	2
3	568	254	1	1
5	582	580	1	1
4	596	596	1	1



60 min

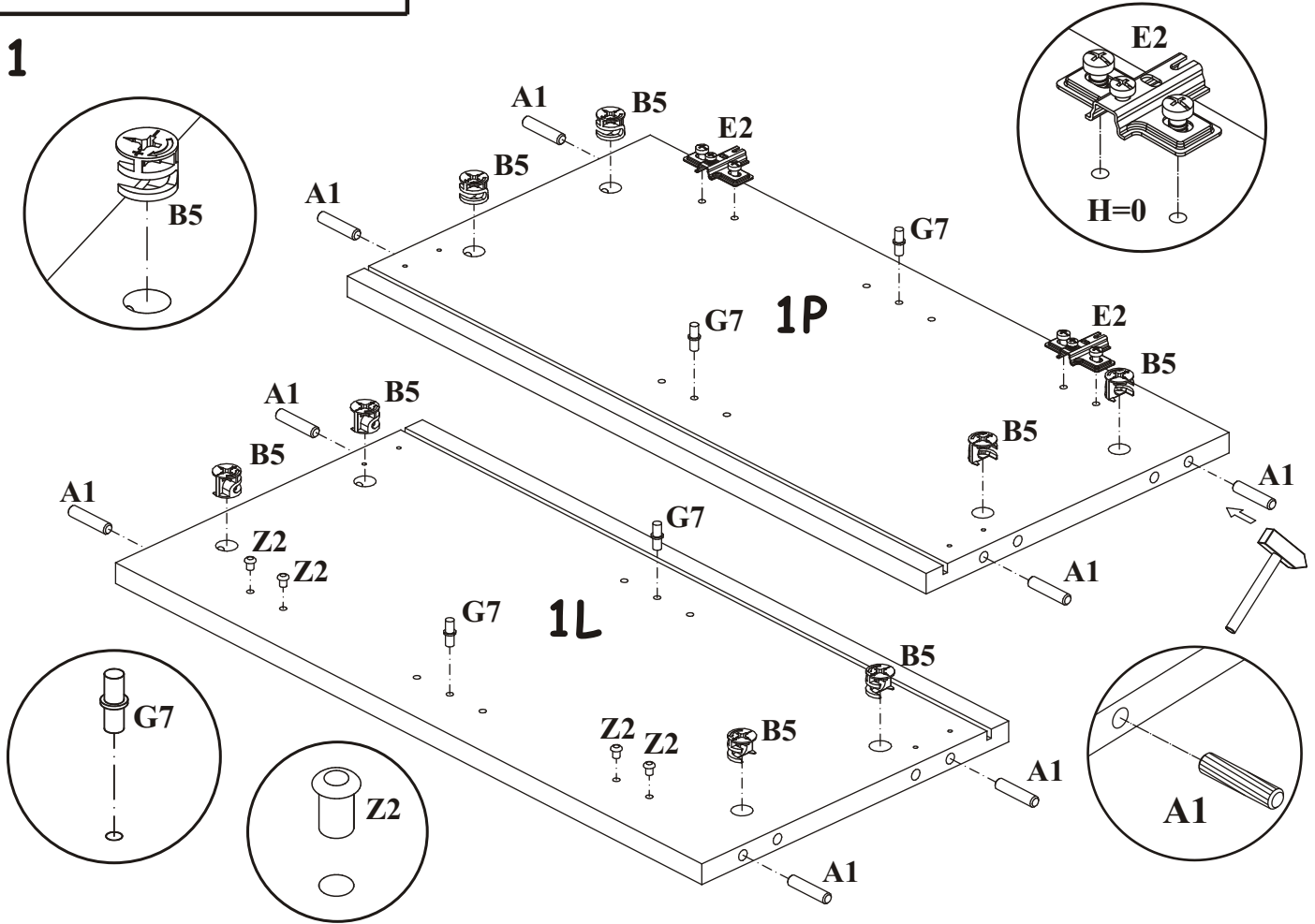
# SWITCH - SW3

A1 X8 ø8x36	B4 X8	G5 X8	B5 X8 ø15x12	G7 X4	S1 X8
Z2 X4 ø5	D10 X6 USØ3,5x13	G2 X1	E1 X2 Ø26 H=0	E2 X2 H=0	ZR1 X2
D6 X4 USØ3,5x30	OD1 X1	KR2 X2			

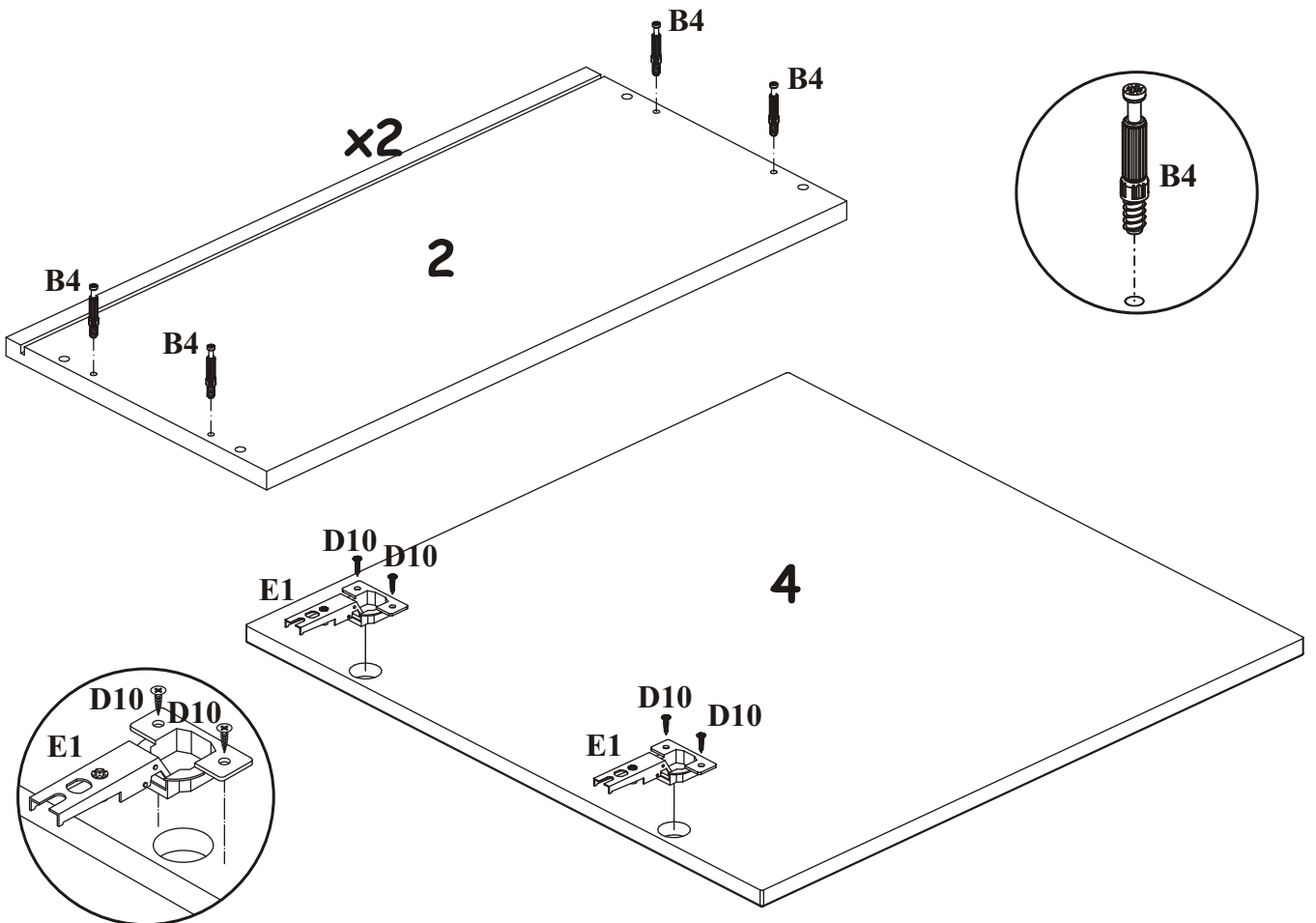


# SWITCH - SW3

1

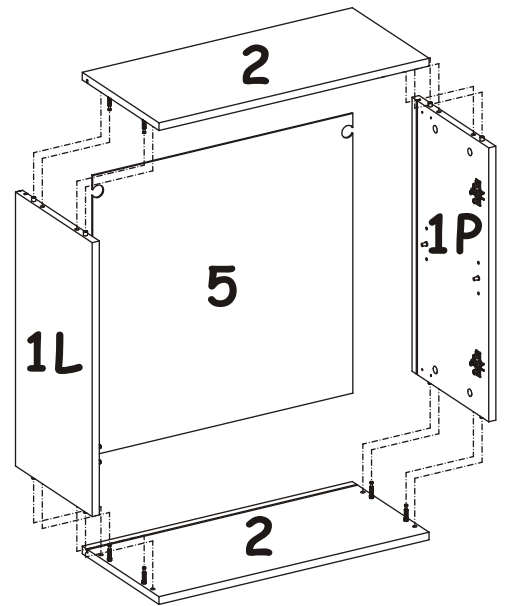
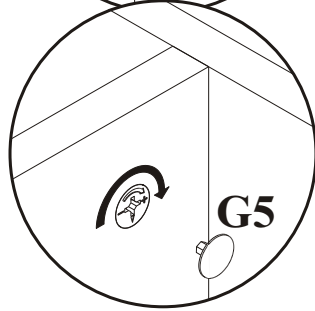
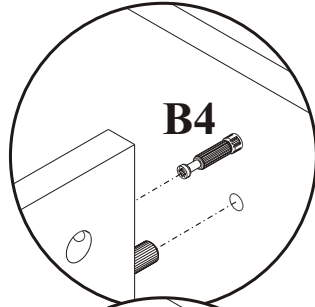
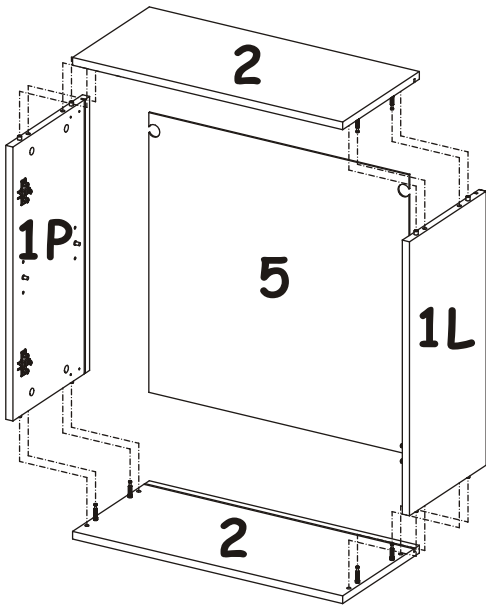
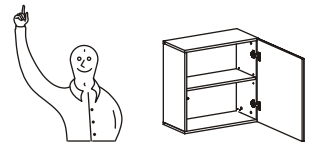
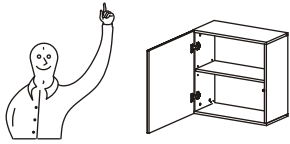


2

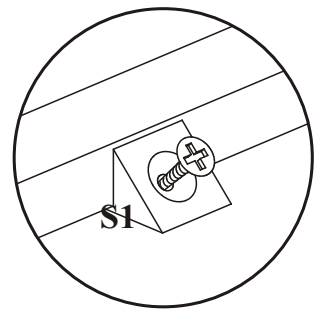
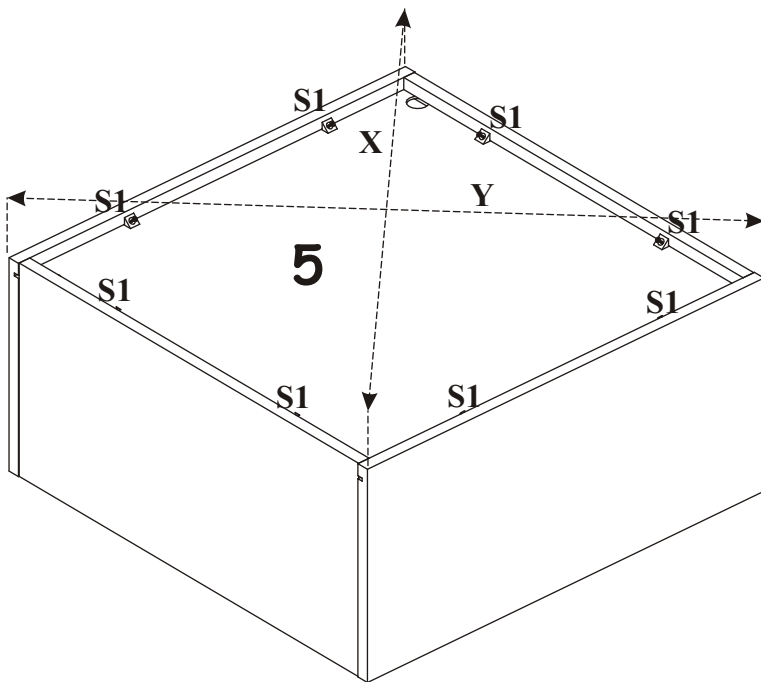


# SWITCH - SW3

3



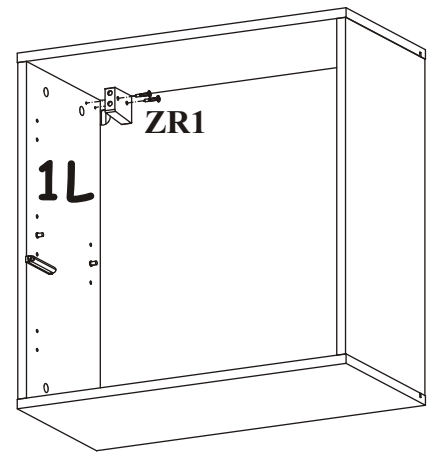
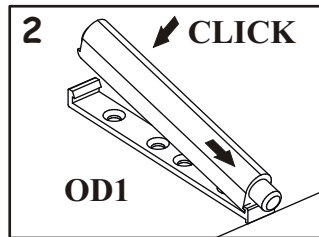
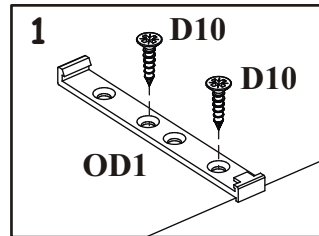
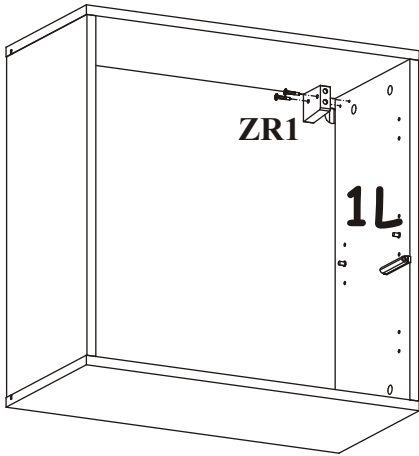
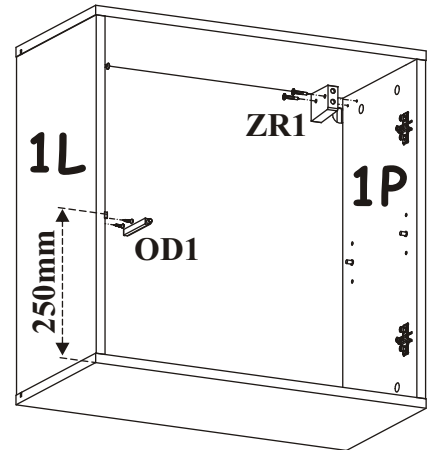
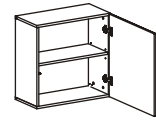
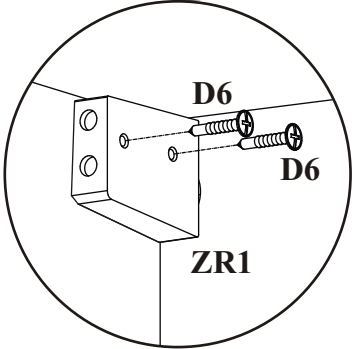
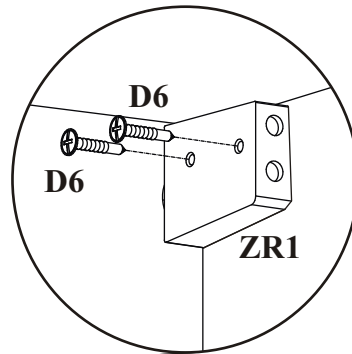
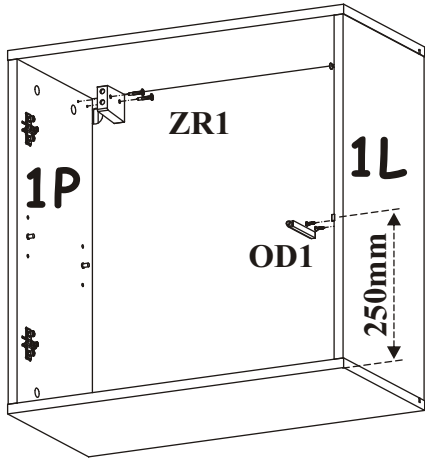
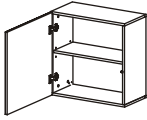
4



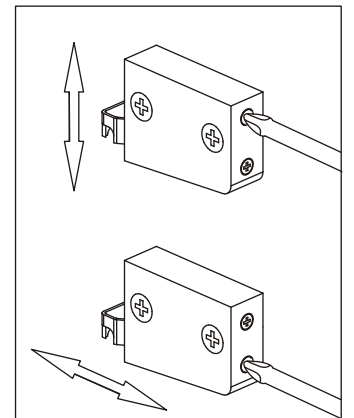
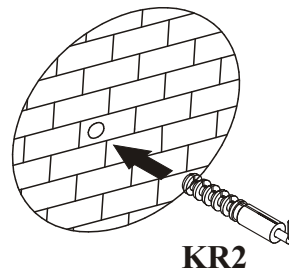
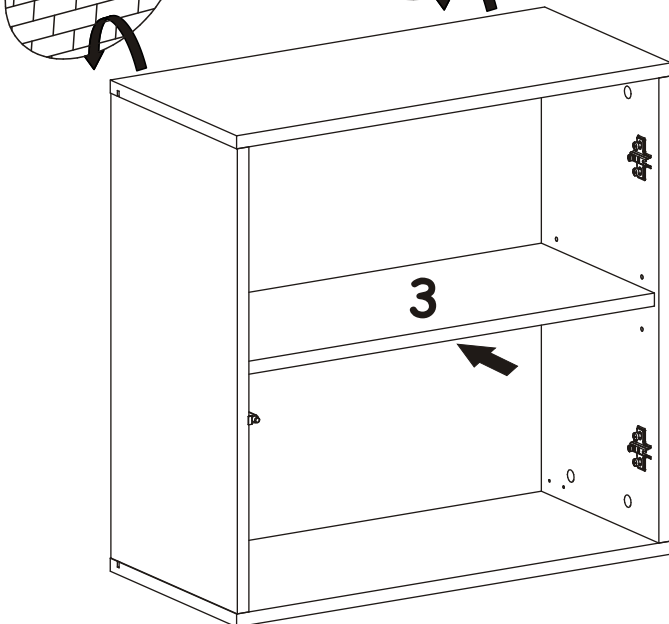
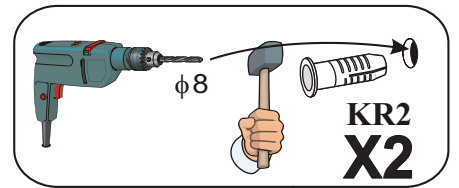
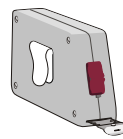
$X=Y$   $90^\circ$

SWITCH - SW3

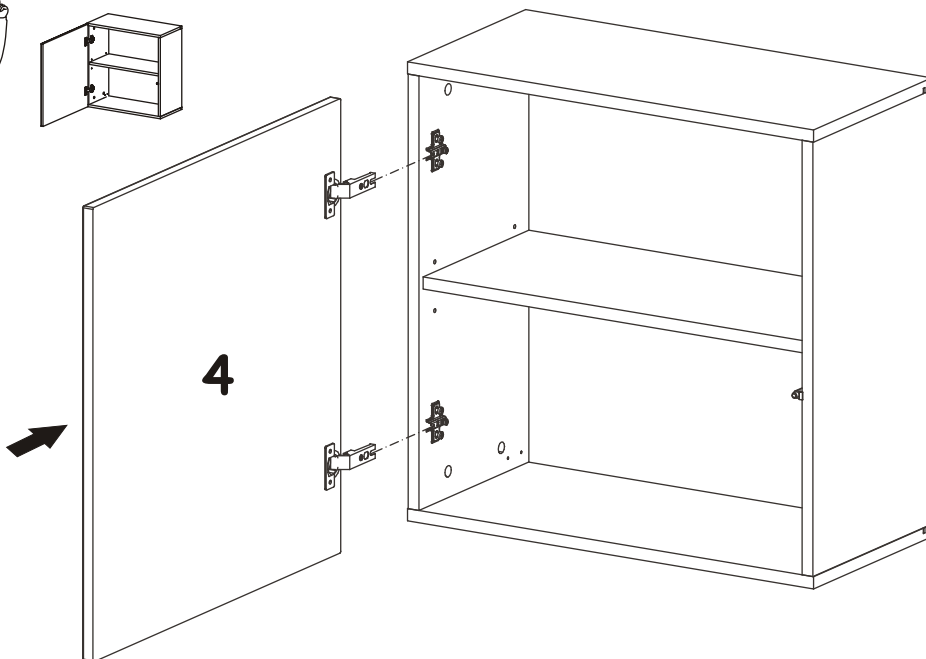
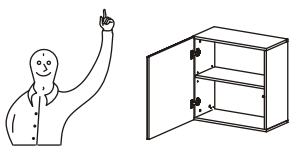
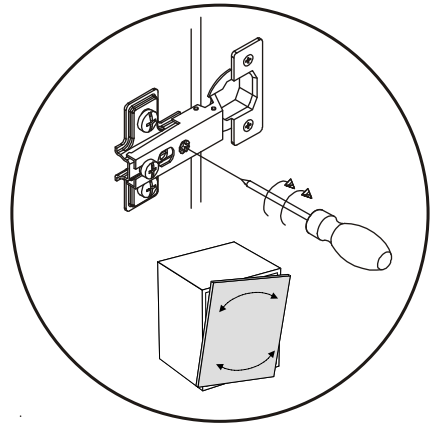
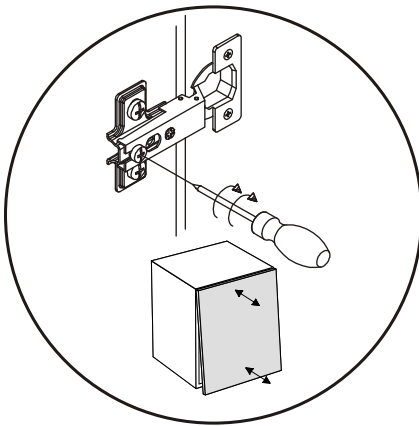
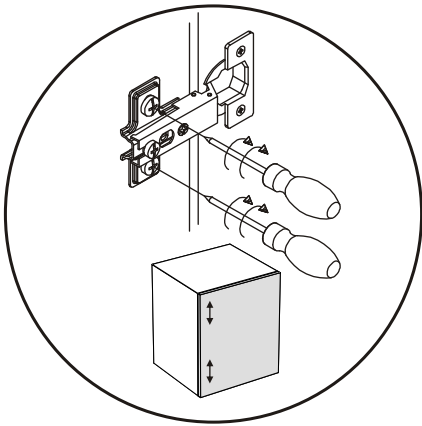
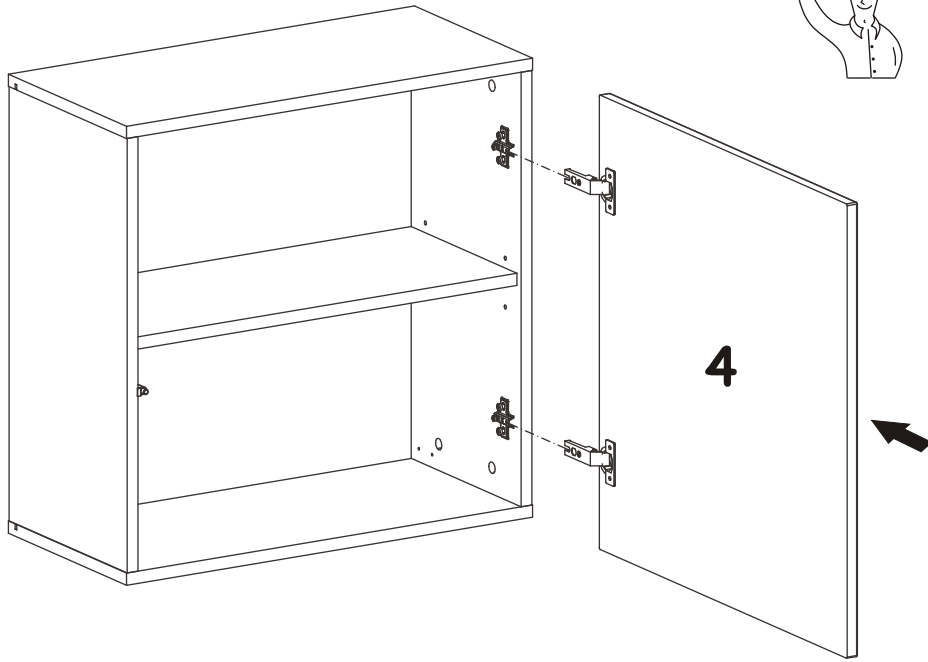
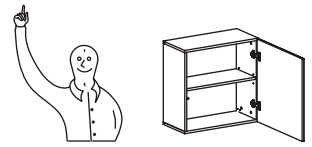
5



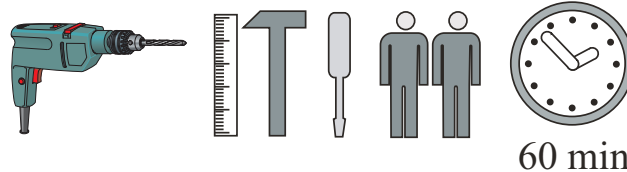
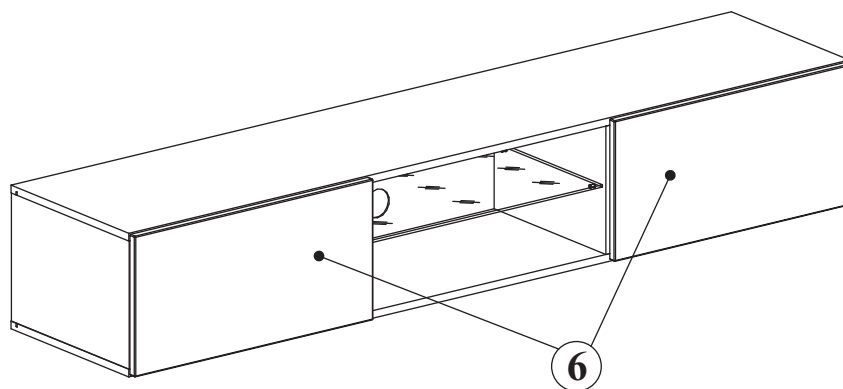
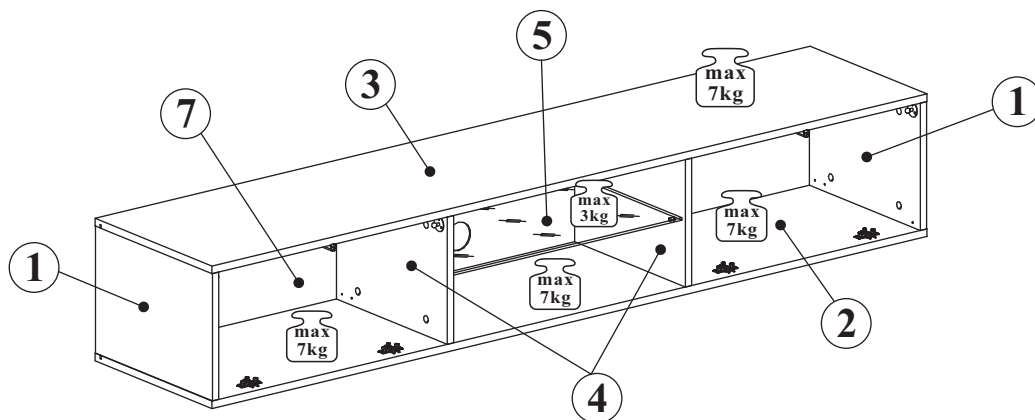
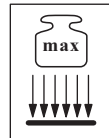
6



7



# SWITCH 27 -- SW RTV 3

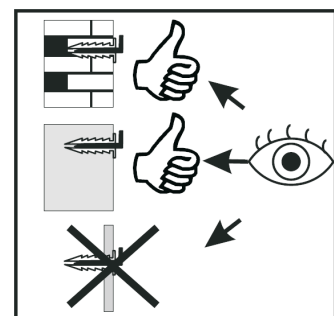
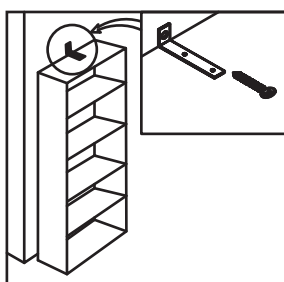
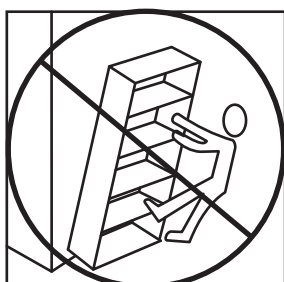
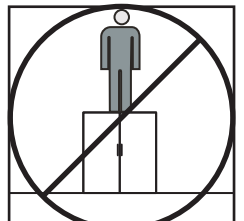
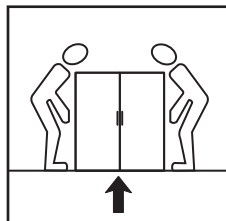
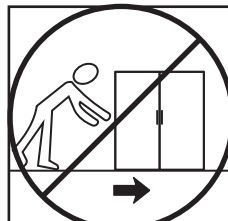
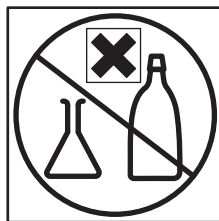
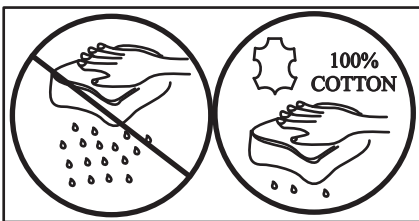
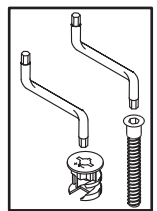
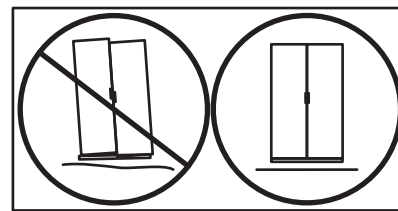
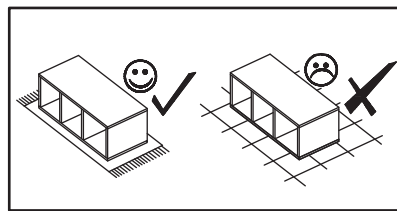
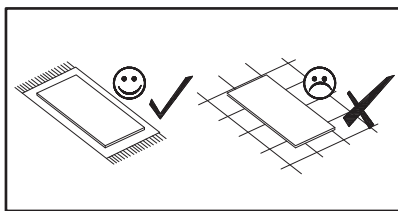
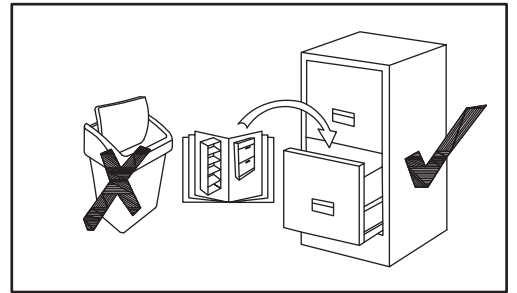
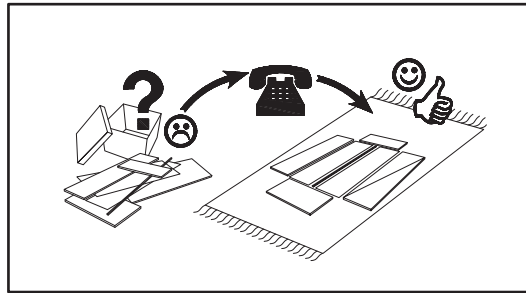
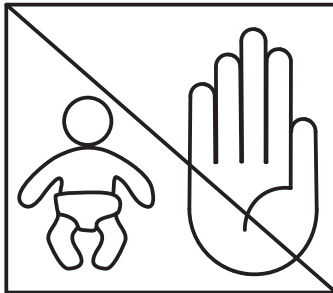
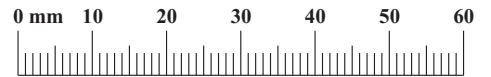


60 min

NO	Dim.			Col-No	Qty
1	268	384	16	1	2
2	1802	384	16	1	1
3	1802	384	16	1	1
6	596	294	16	1	2
4	268	364	16	1	2
5	582	349	5	1	1
7	1780	280	3	1	1

# SWITCH RTV 3

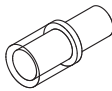
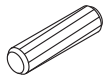
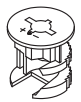
A1 x16 ø8x36	B4 x16	G5 x16	B5 x16 ø15x12	ZR1 x4	D6 x8 USØ3,5x30
E1 x4 Ø26 H=0	E2 x4 H=0	D10 x32 USØ3,5x13	T1 x2	S1 x14	B01 x4
KR2 x4 Ø8	G2 x1	LED x1 x1	G20 x4	UP13 x4 UPØ3x16	

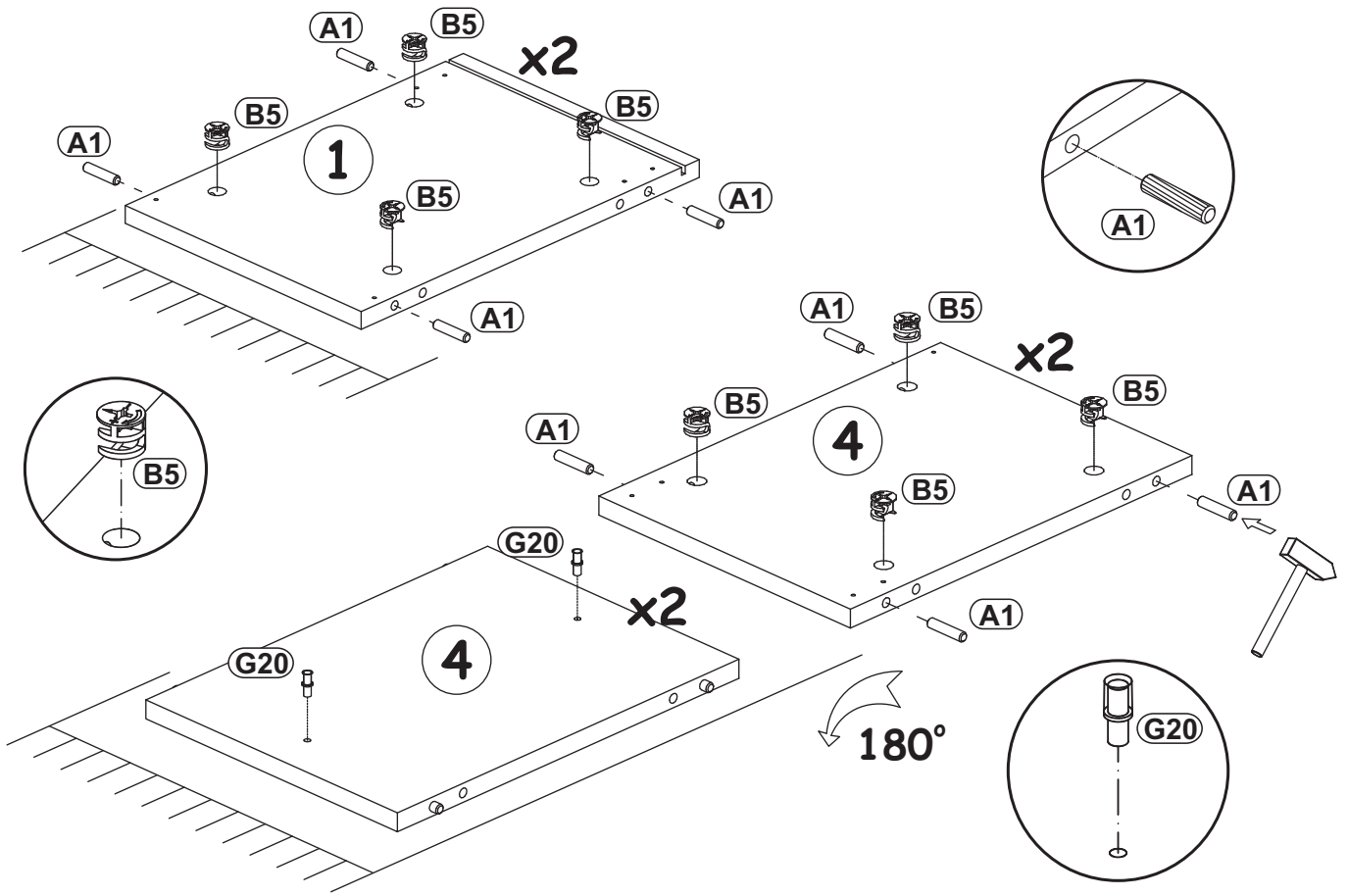




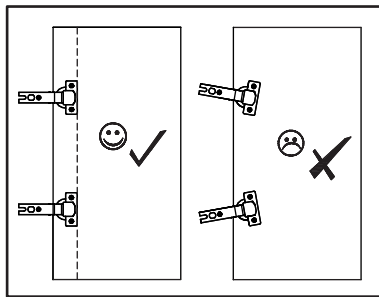
SWITCH RTV 3


1

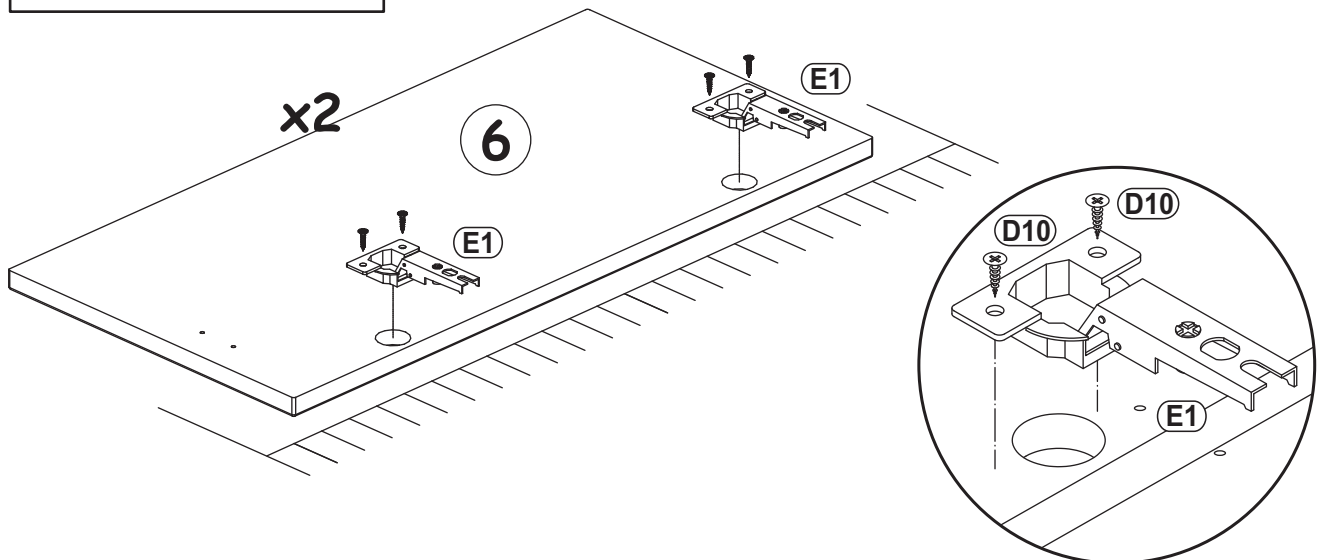
G20		A1		B5	
x4		x16	ø8x36	x16	ø15x12



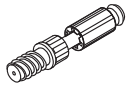
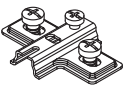
2



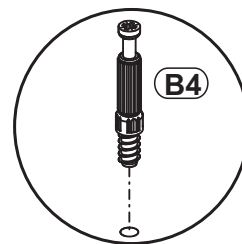
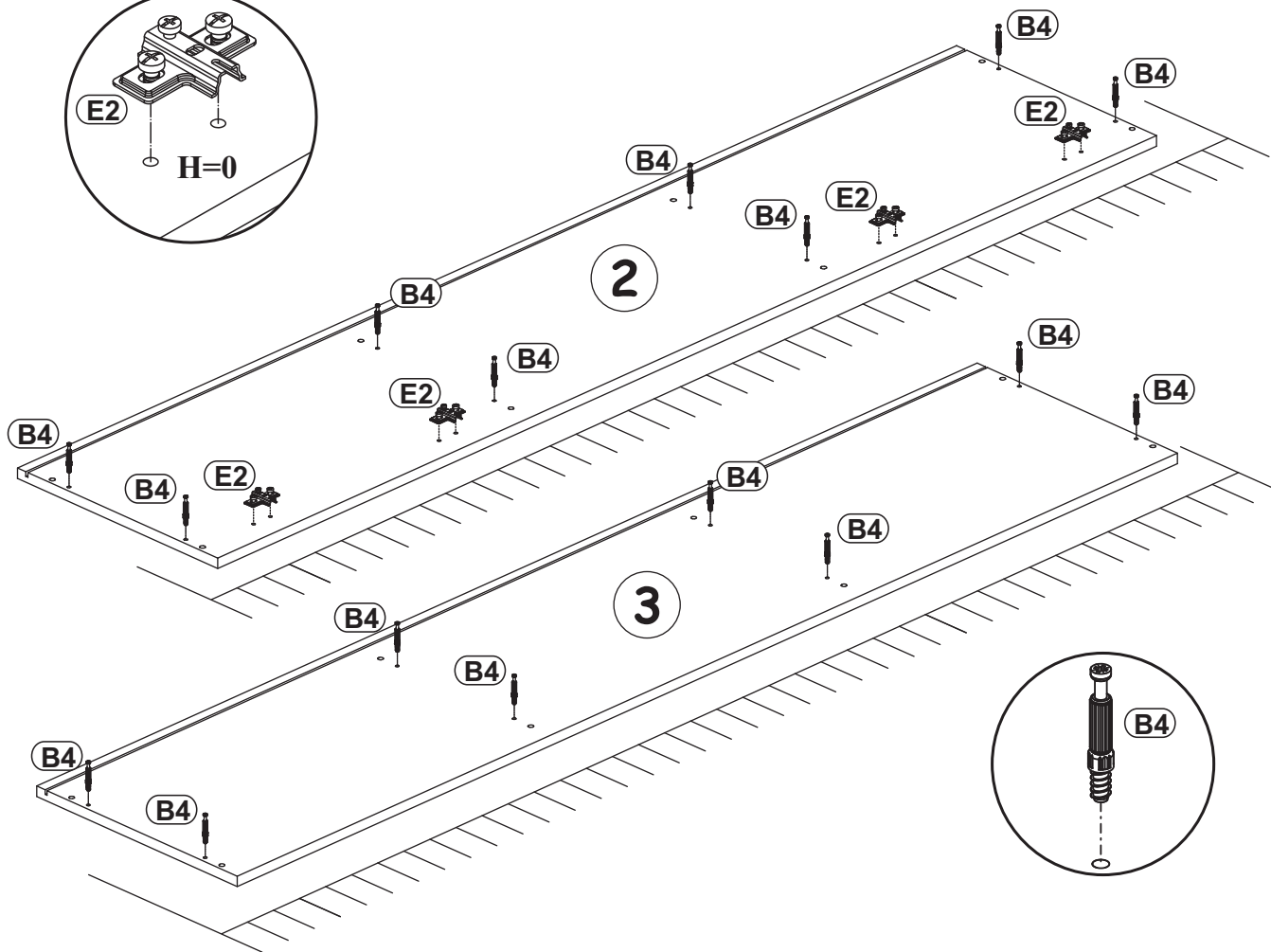
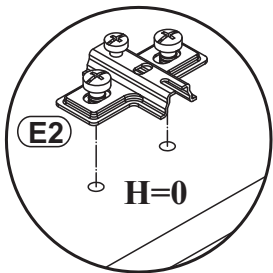
E1	Ø26	D10	
x4	H=0	x8	USØ3,5x13




SWITCH RTV 3

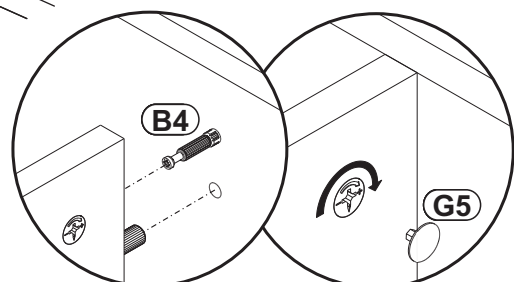
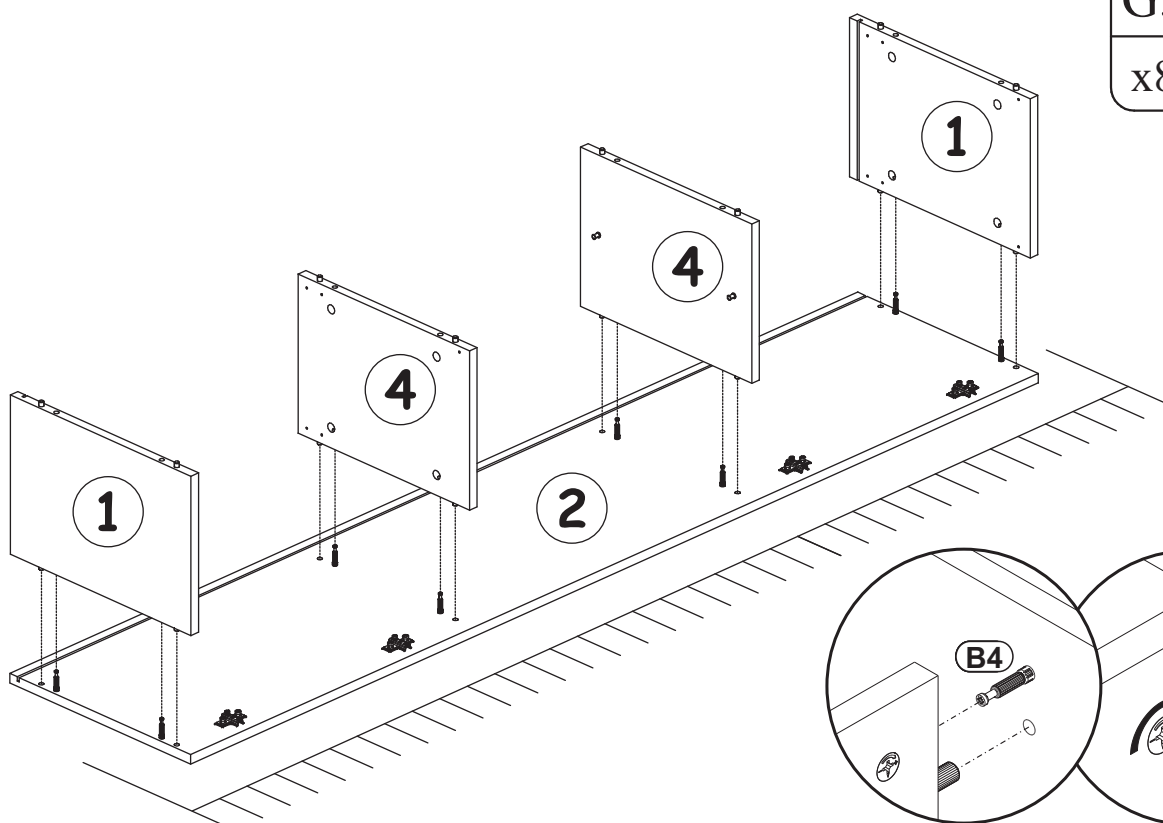
B4		E2	
x16		x4	H=0

3



4

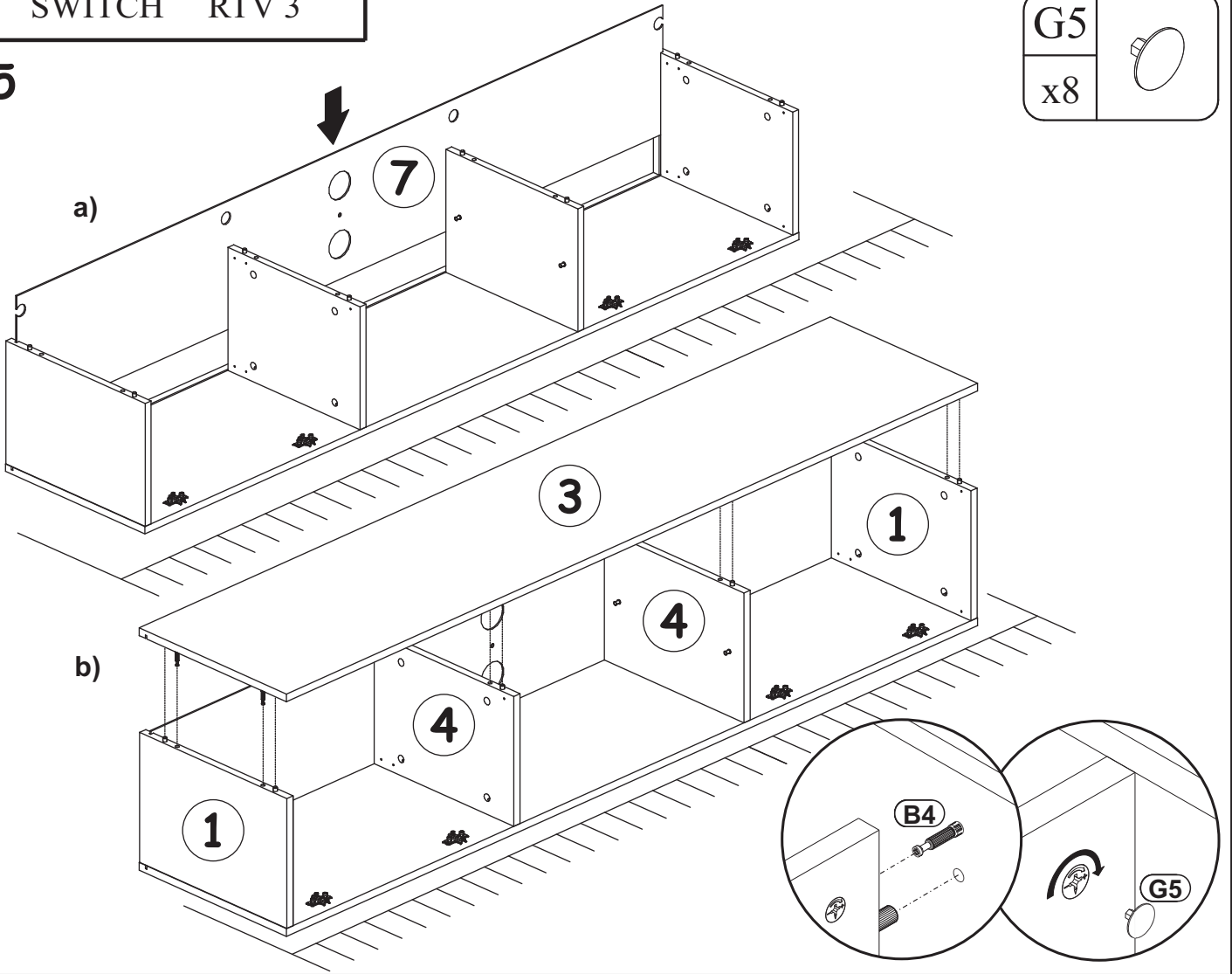
G5	
x8	



SWITCH RTV 3

5

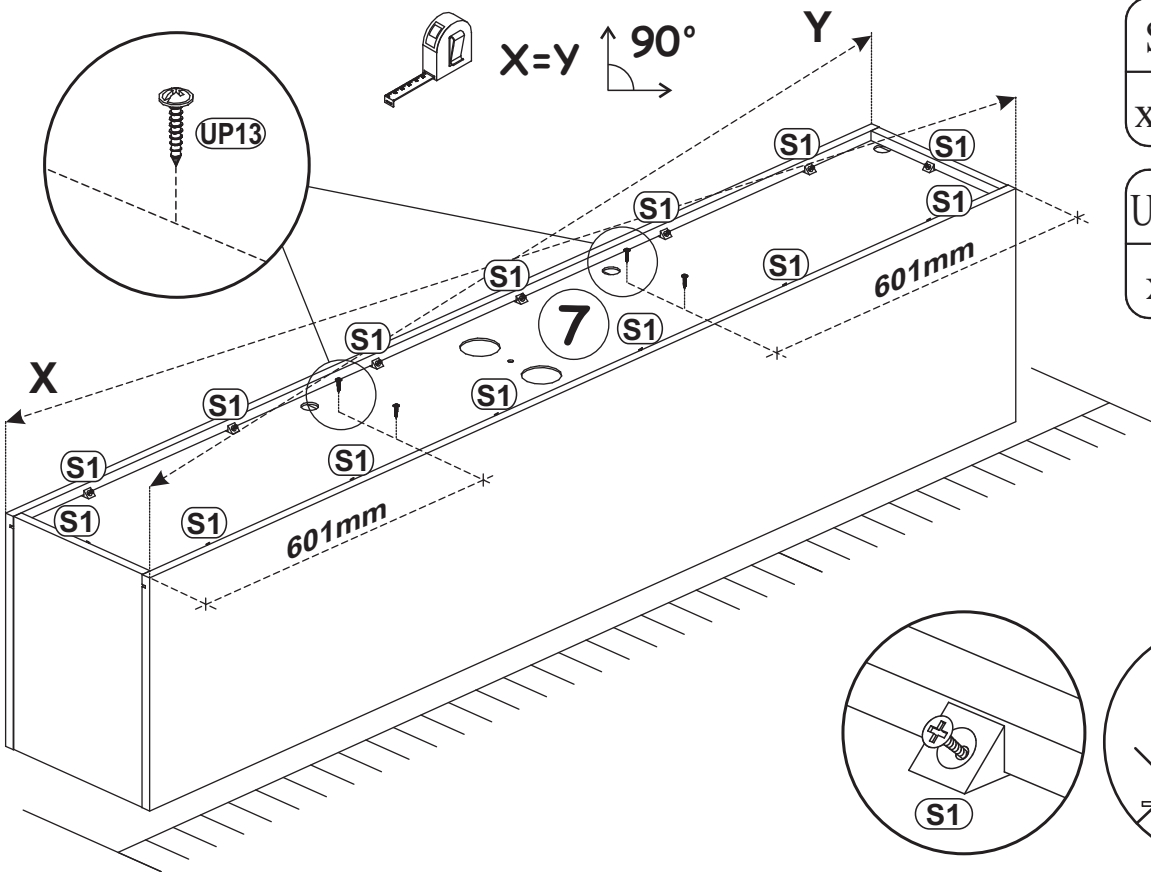
G5	
x8	



6

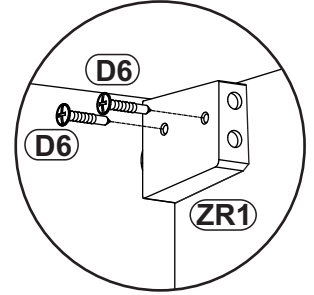
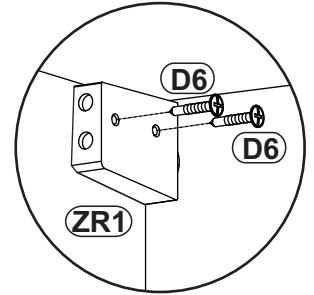
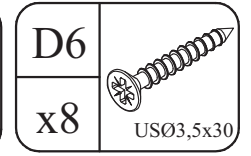
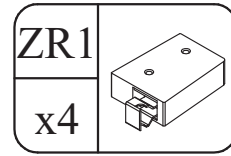
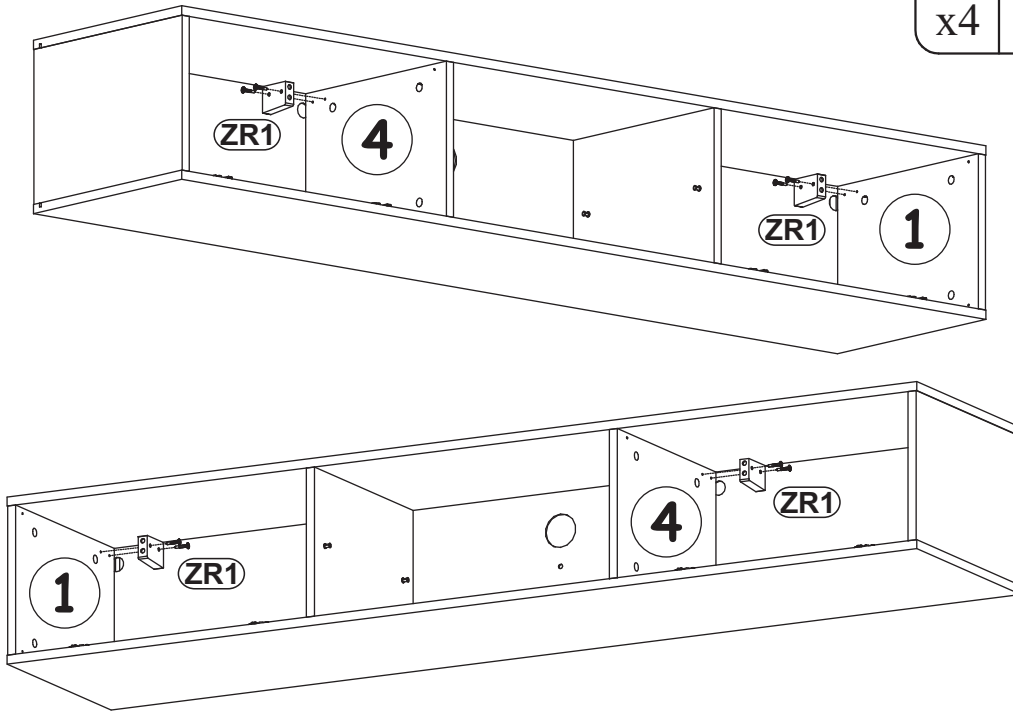
S1	
x14	

UP13	
x4	UP03x16

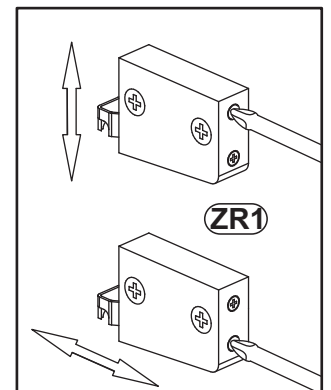
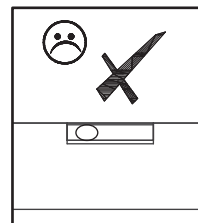
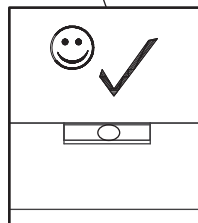
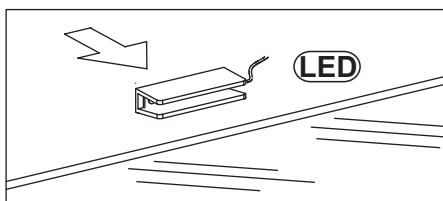
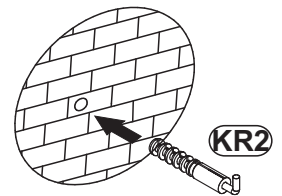
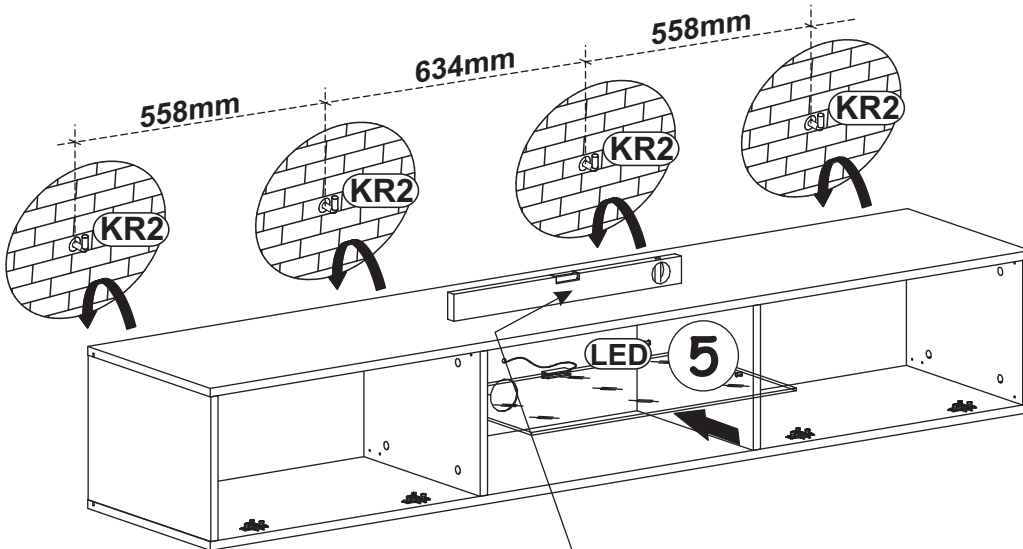
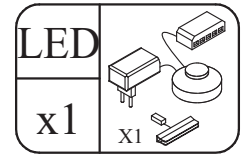
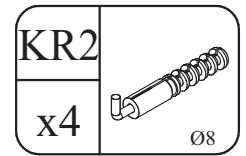
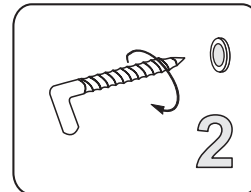
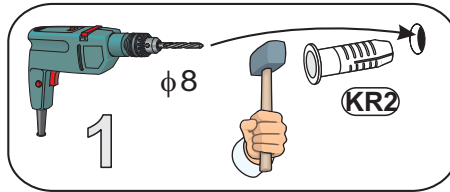
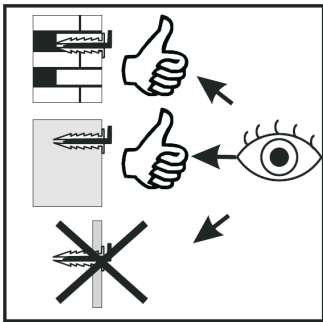


SWITCH RTV 3

7

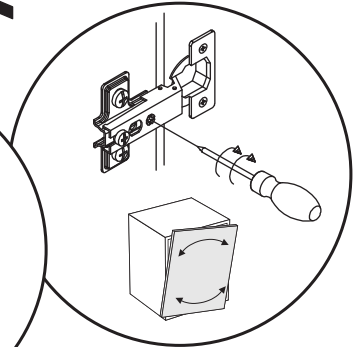
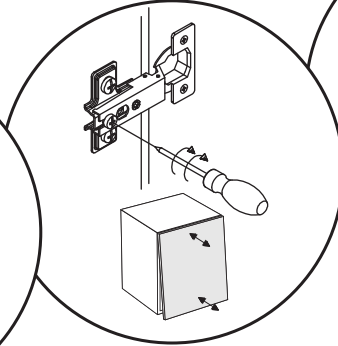
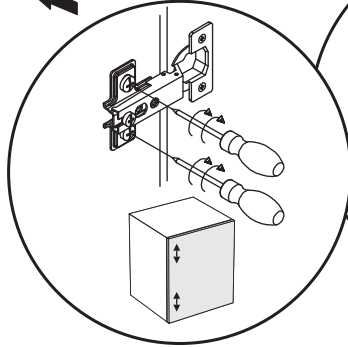
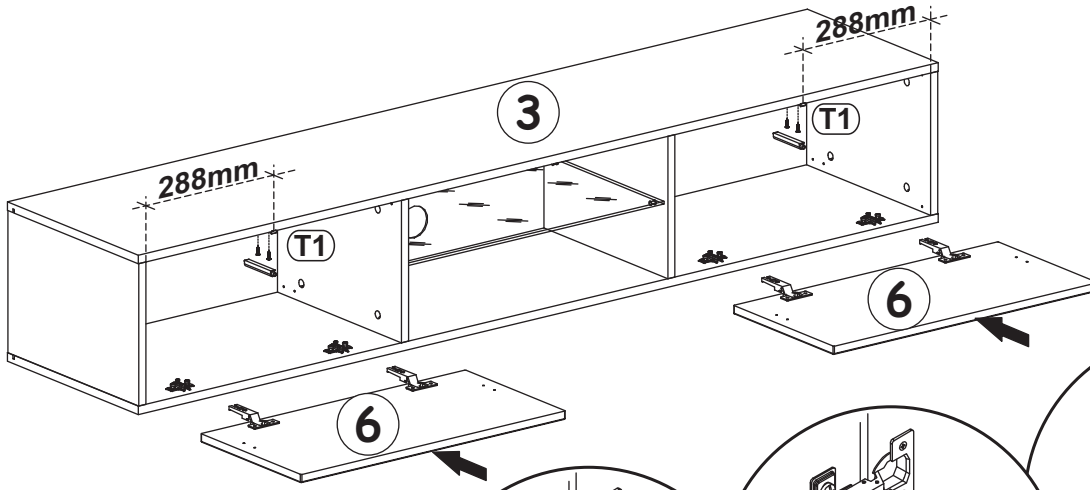
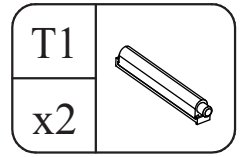
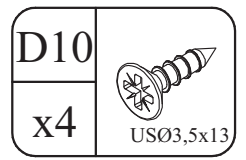
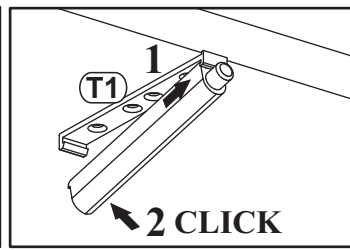
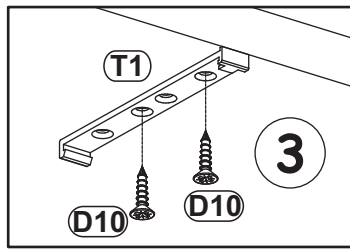


8

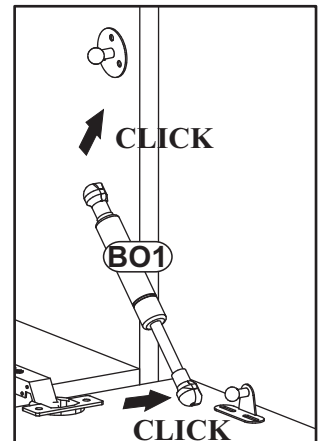
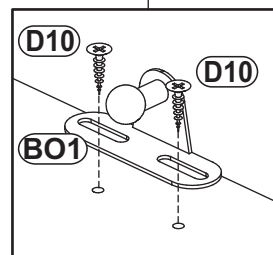
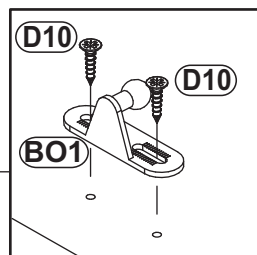
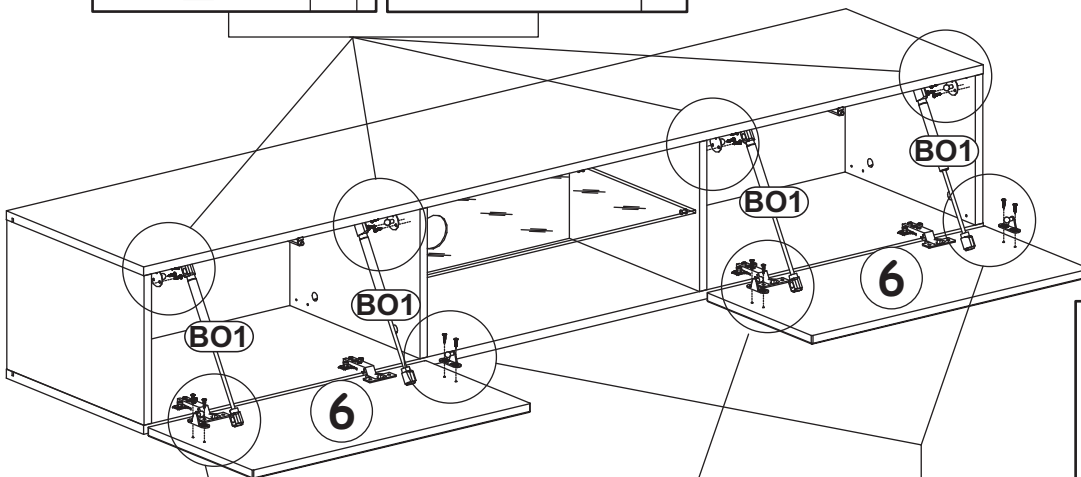
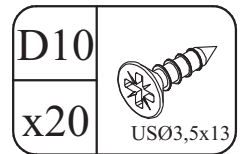
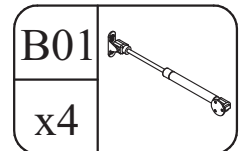
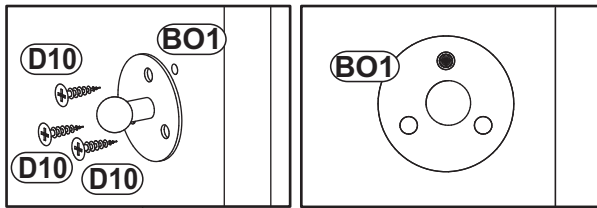


SWITCH RTV 3

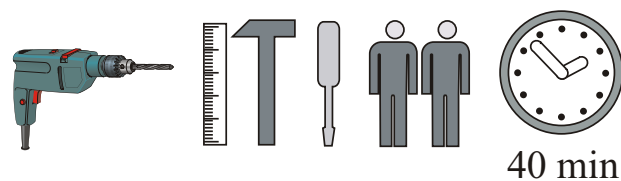
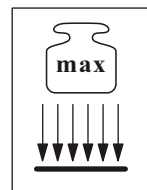
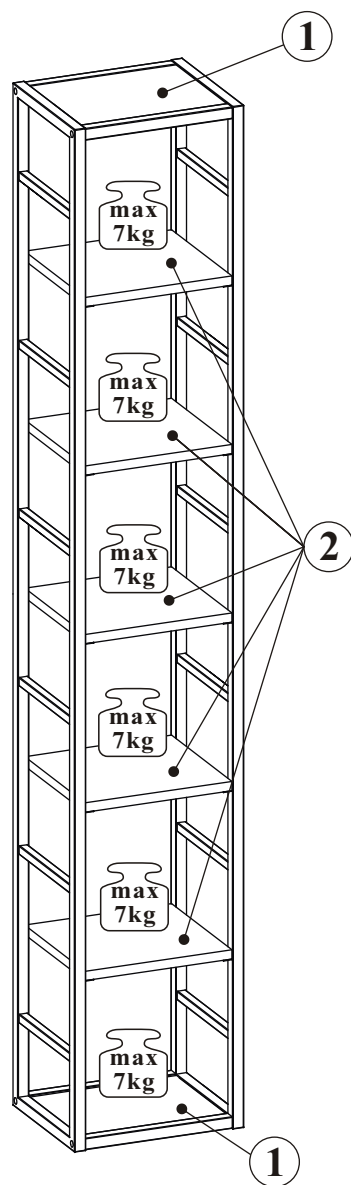
9



10


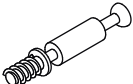


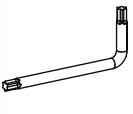






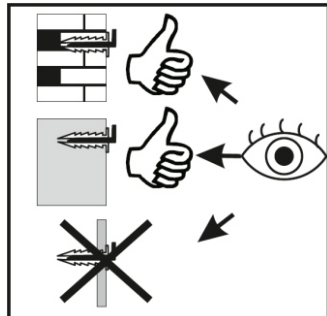
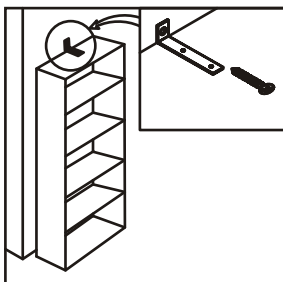
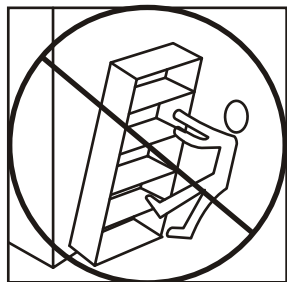
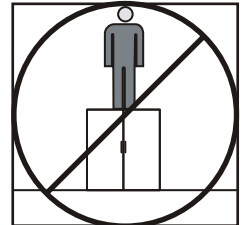
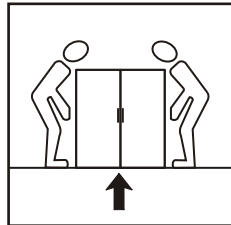
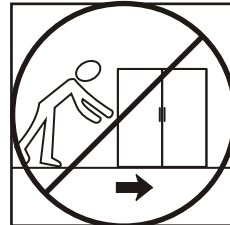
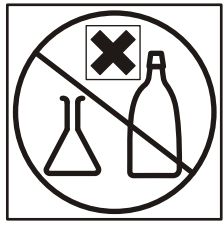
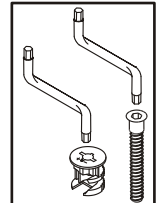
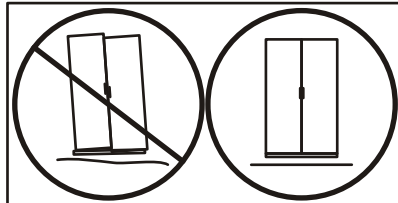
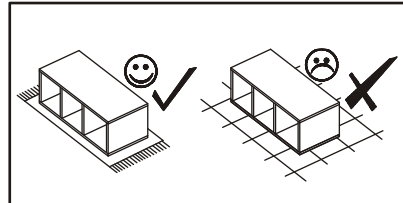
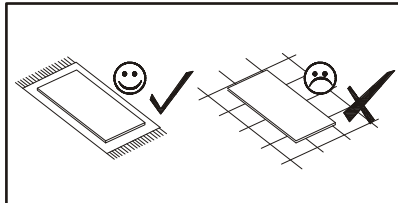
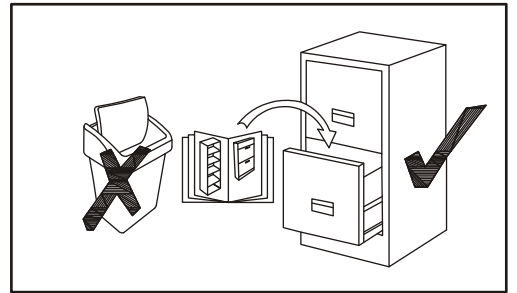
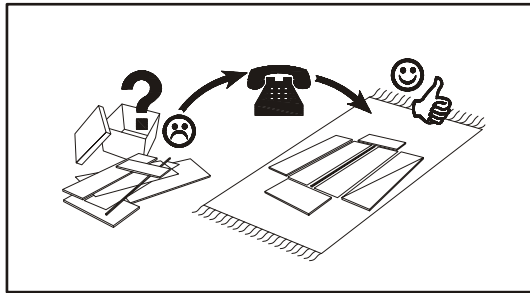
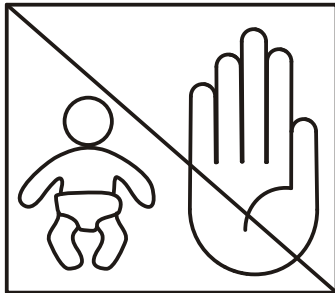
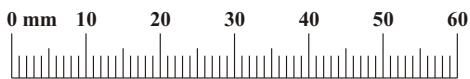
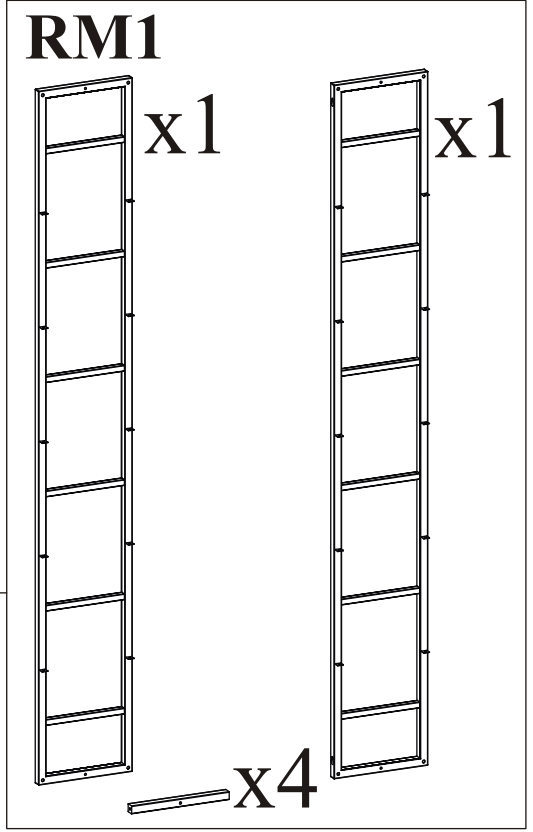
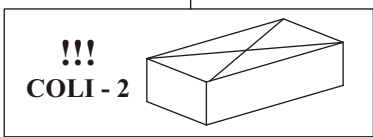
# SWITCH 27\_SW RM1



NO	Dim.			Col.-No	Qty
1	260	208	16	1	2
2	260	245	16	1	5

SWITCH 27\_SW RM1

B5 x8	 Ø15x12	B20 x8		G5 x8	
KR3 x4	 Ø10	GSZ x1		UP13 x20	 UPØ3x16
G2 x1		G12 x8	 Ø14	D60 x8	 M6x30



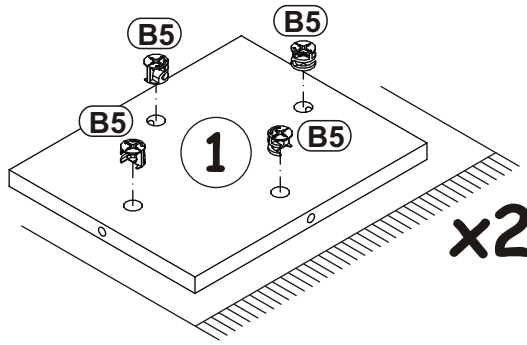
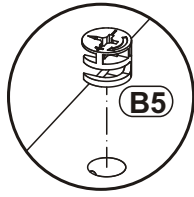
SWITCH 27\_SW RM1

B5

x8



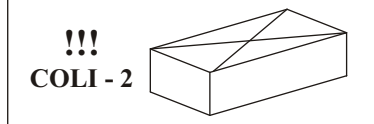
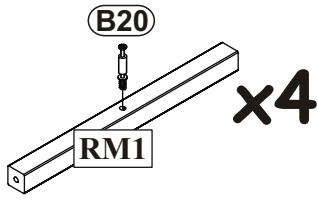
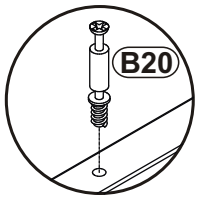
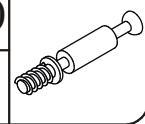
1



2

B20

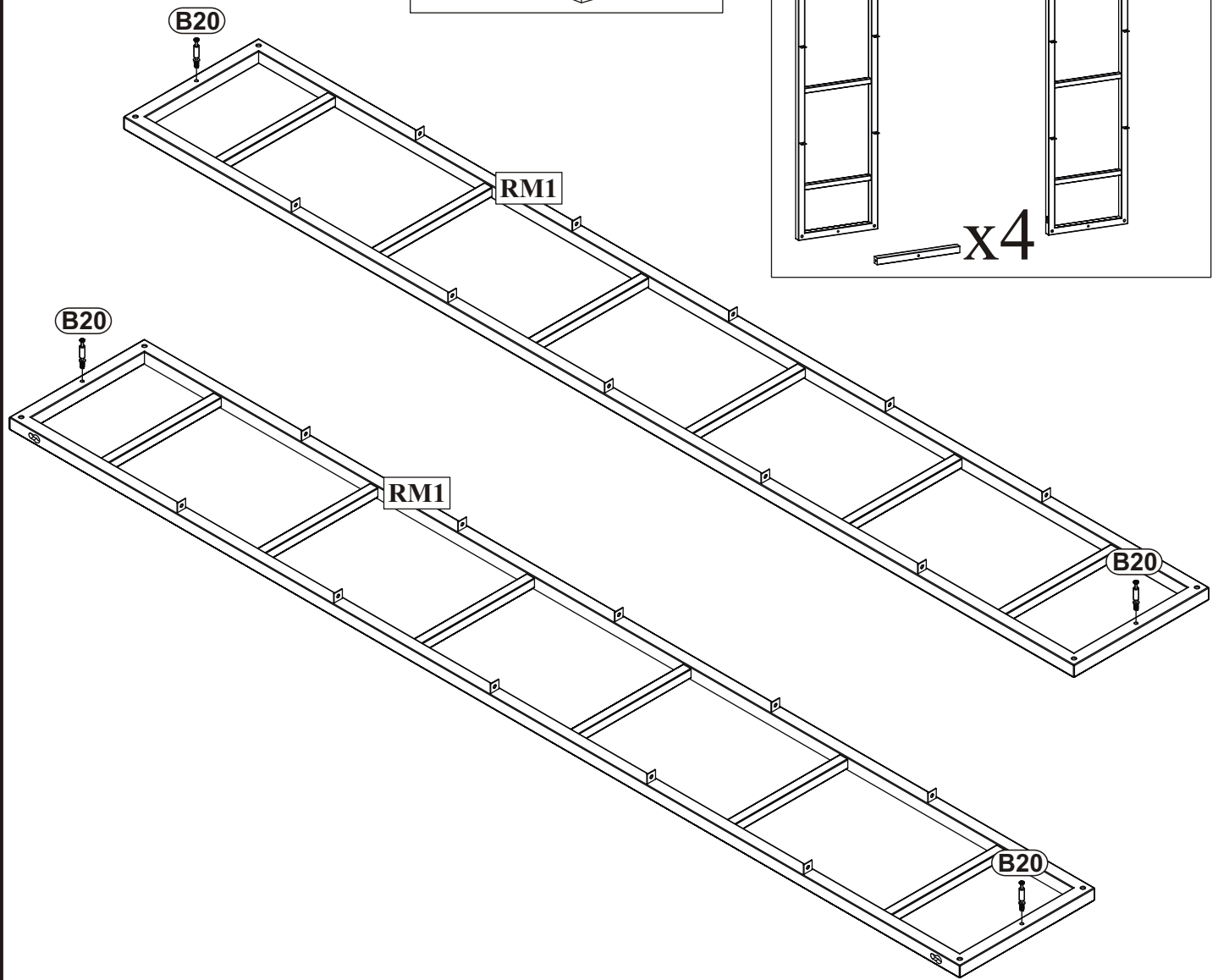
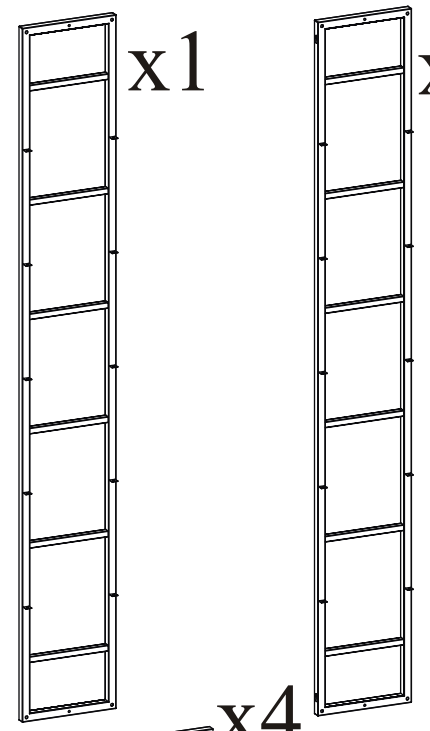
x8



RM1

x1

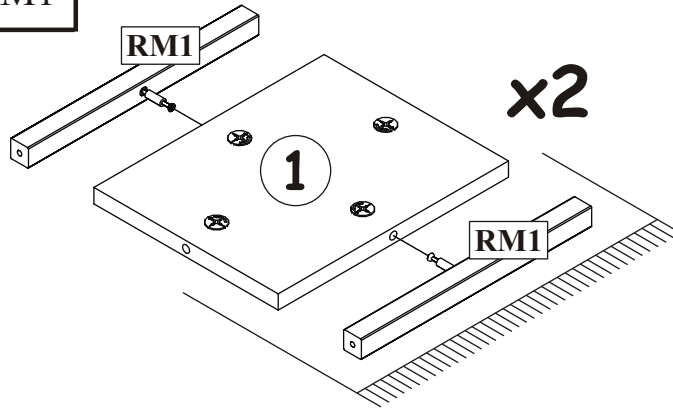
x1





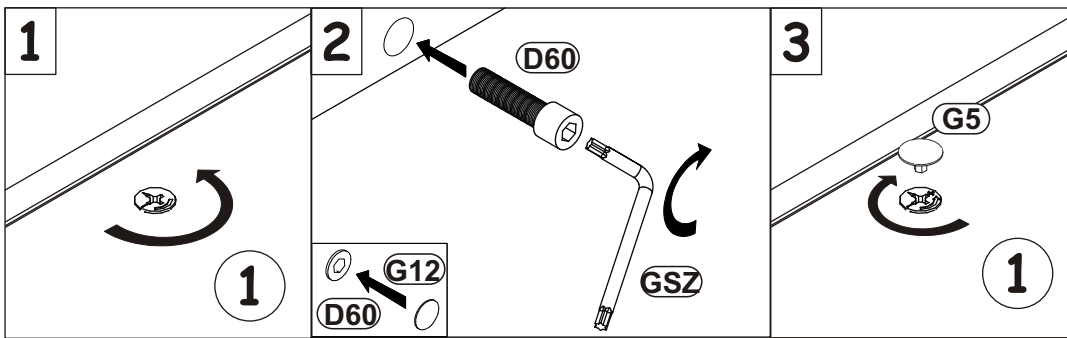
SWITCH 27\_SW RM1

3



G5	
x4	

4

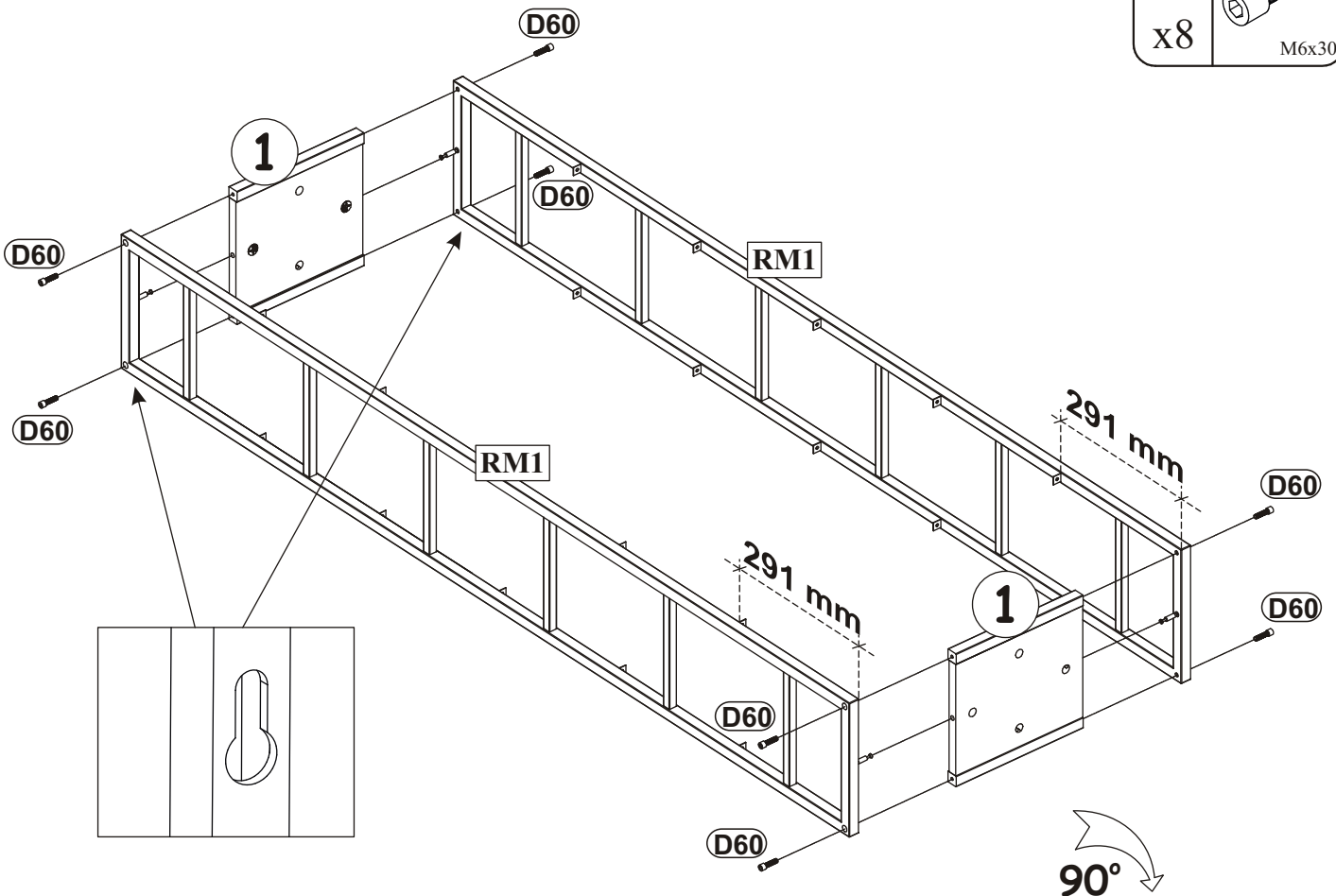


G12	
x8	Ø14

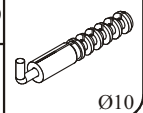
GSZ	
x1	

G5	
x4	

D60	
x8	M6x30



KR3  
x4



UP13  
x20



5

