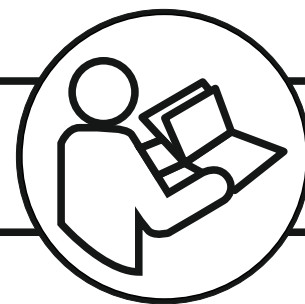
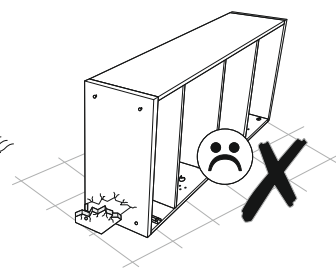
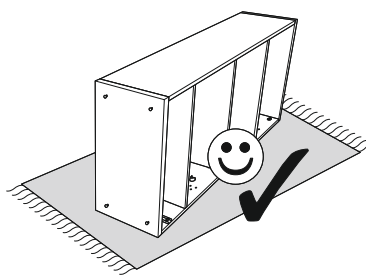
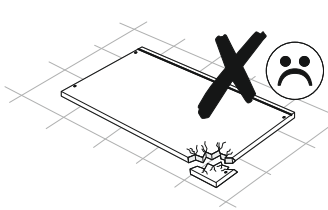
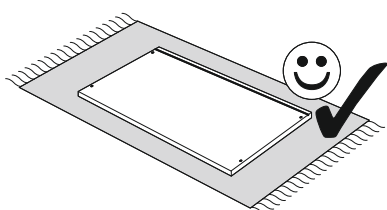
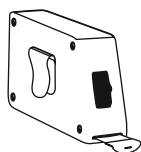
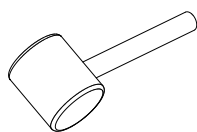
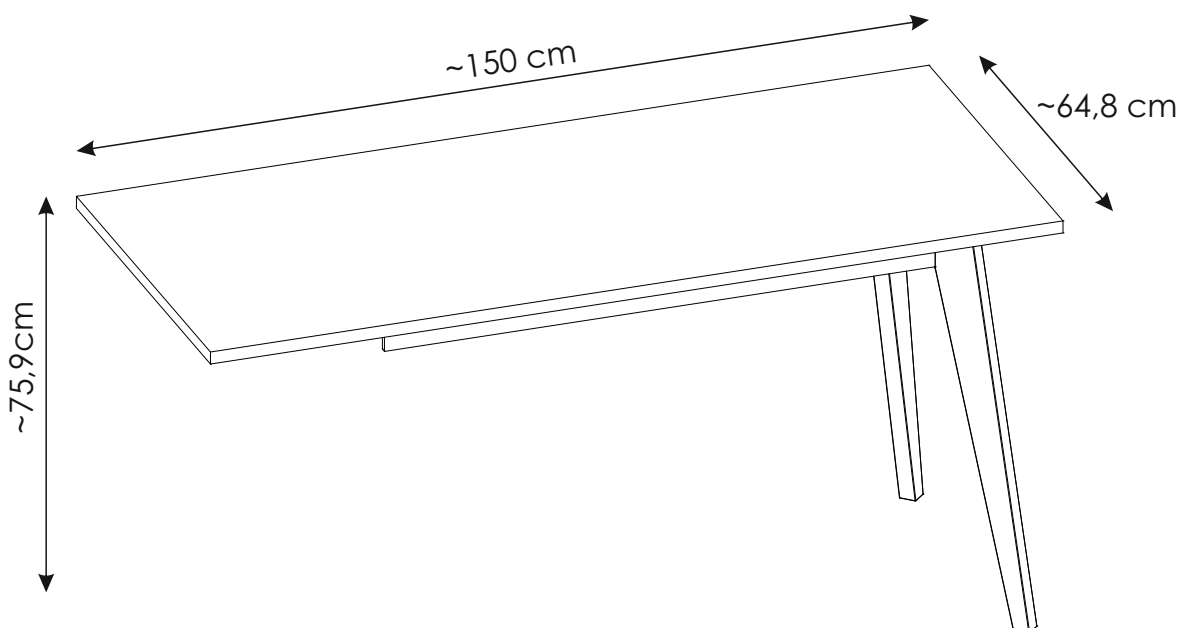
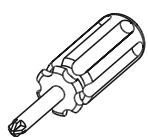
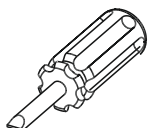
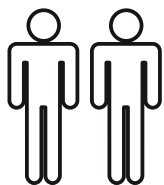
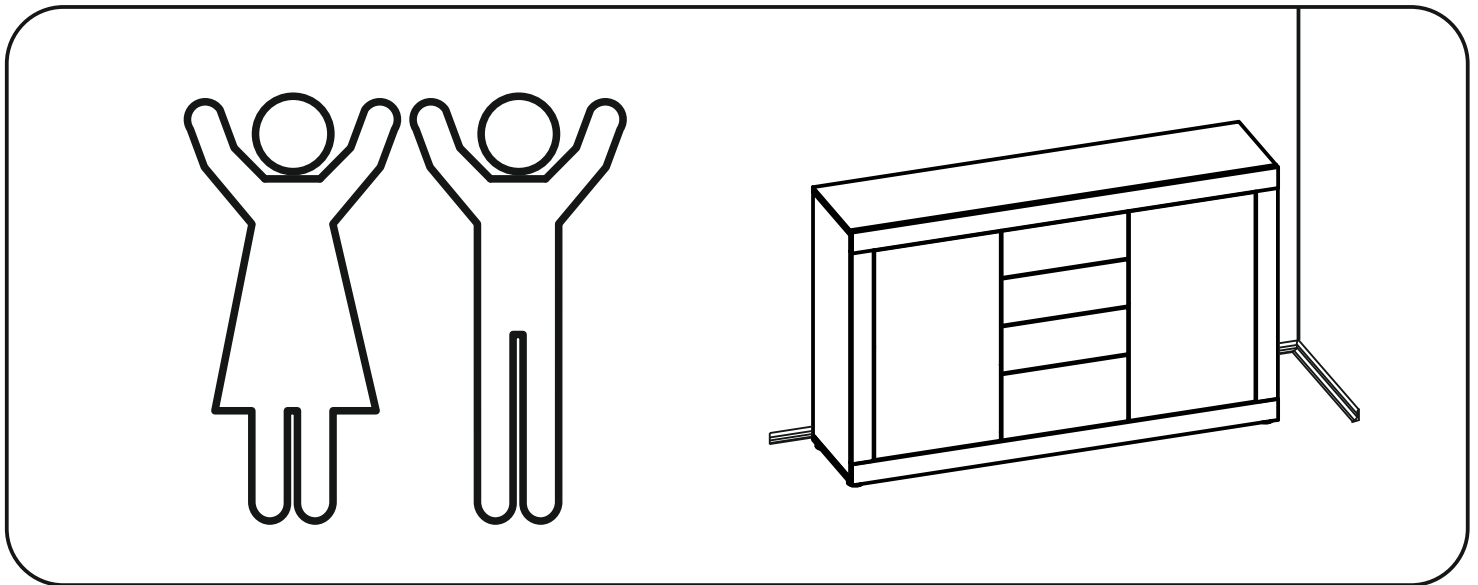
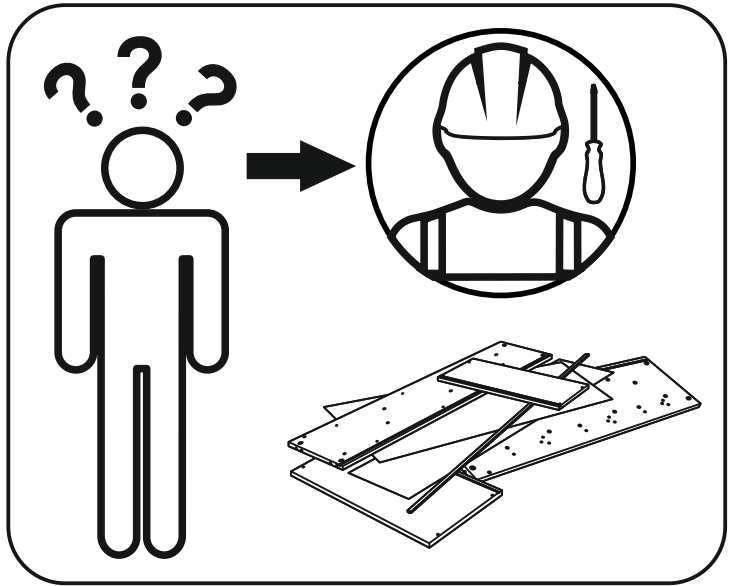
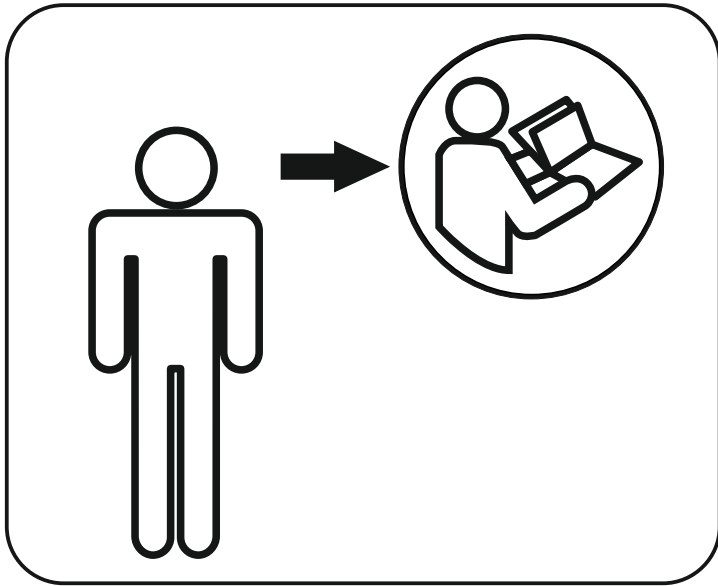
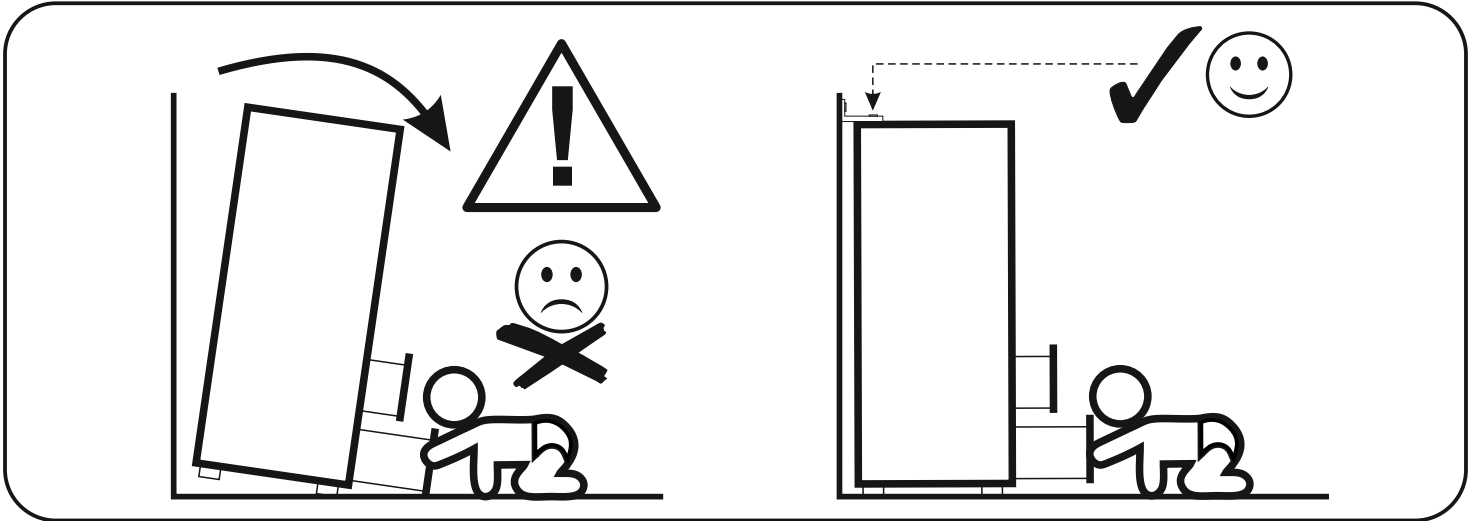
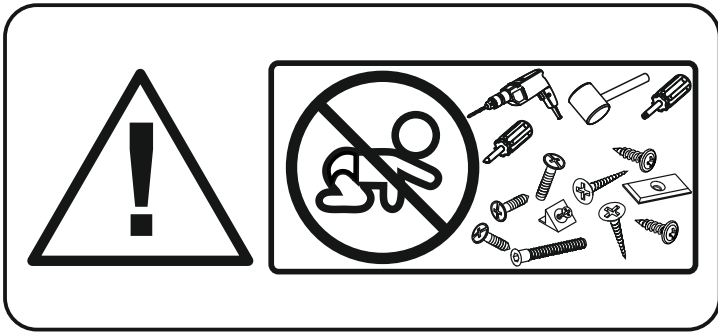


# PLIB01

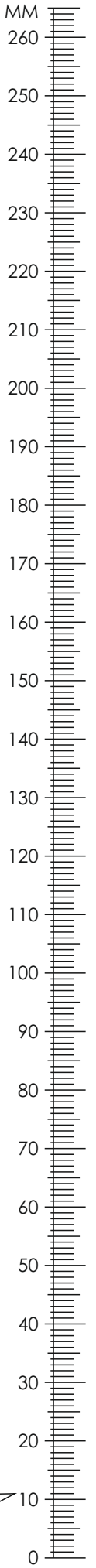






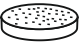


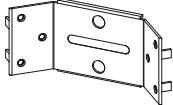
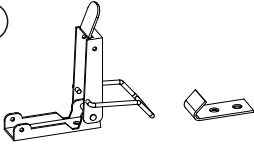
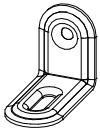
## MONTÁŽNÍ/MONTÁŽNY NÁVOD

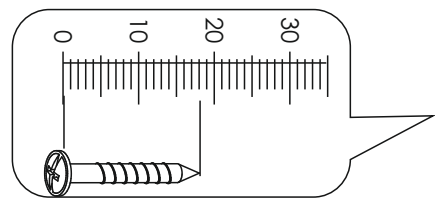




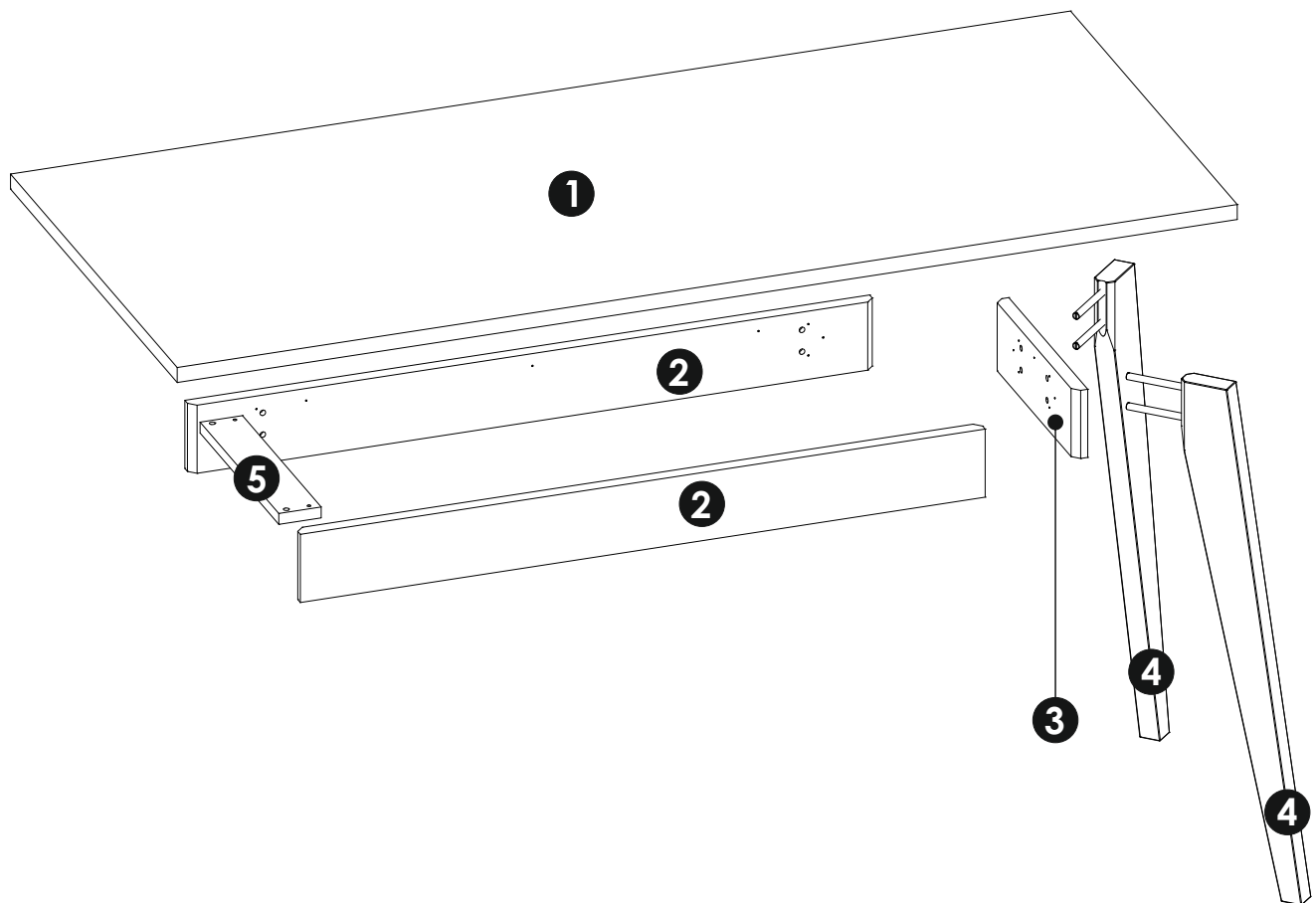
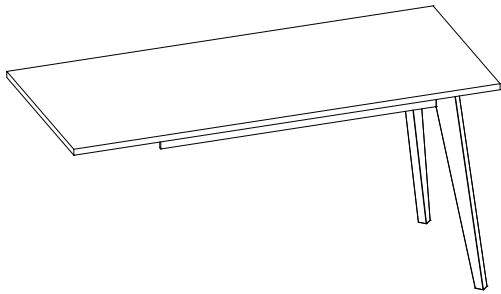
# PLIB01



<b>A0</b> 8 x 20 mm x2 	<b>N1</b> 3 x 16 mm x10 	<b>N5</b> 3,5 x 16 mm x26 
<b>N14</b> 4 x 30 mm x2 	<b>O2A</b> ø20 x2 	<b>S15</b> x4 
<b>S16</b> x4 	<b>S17</b> x2 	<b>S21</b> x2 
<b>Q8</b> x7 		

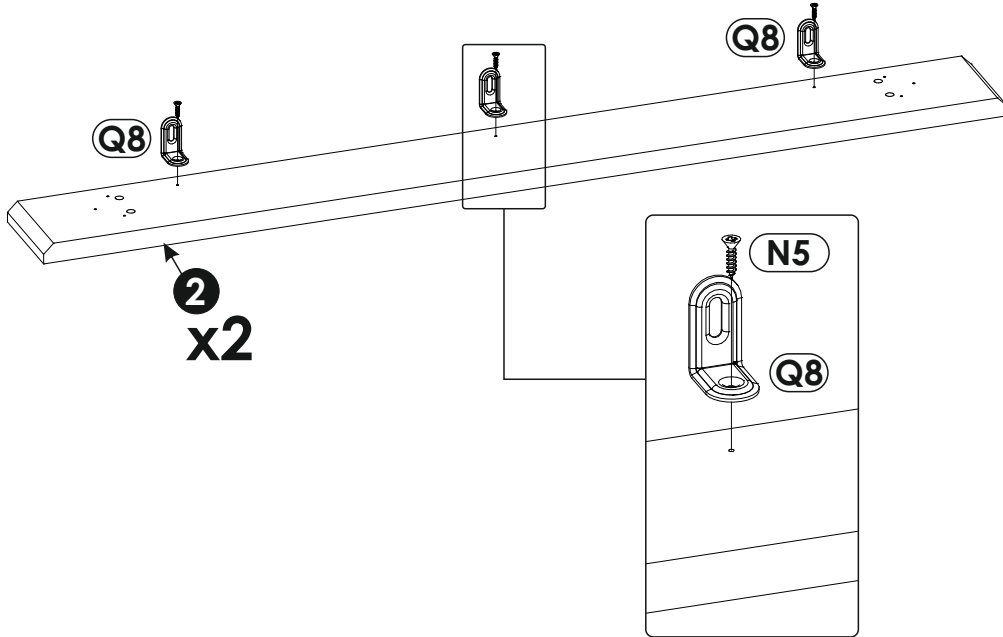
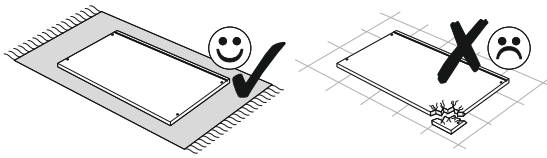


# PLIB01

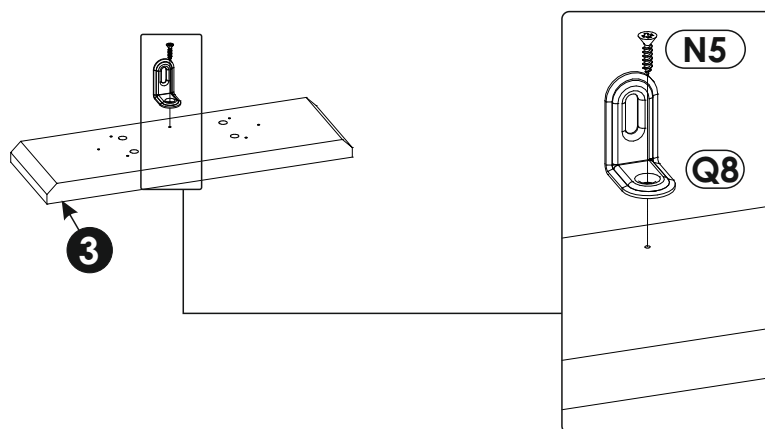
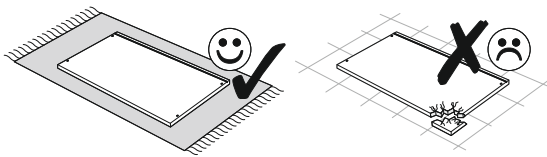


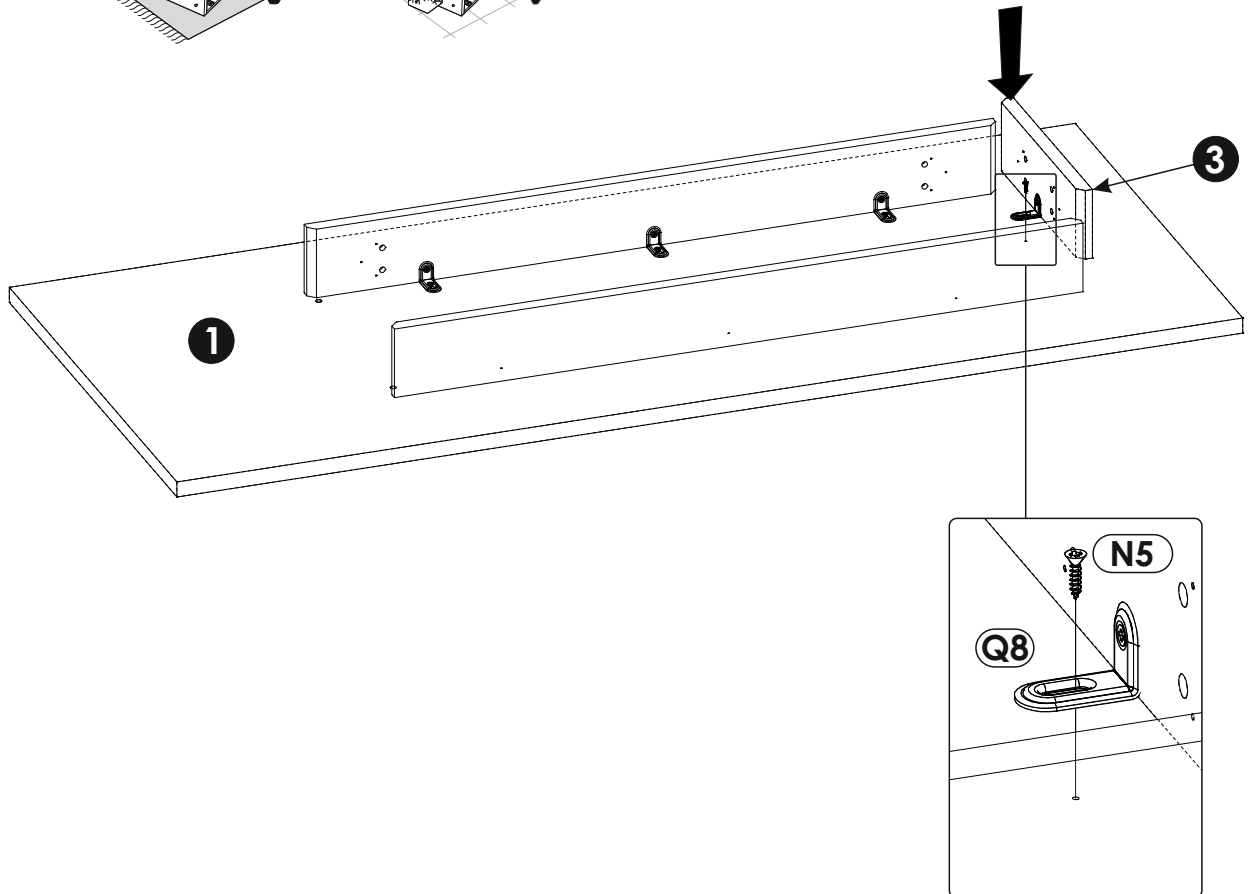
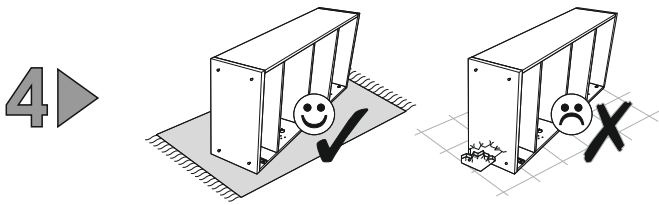
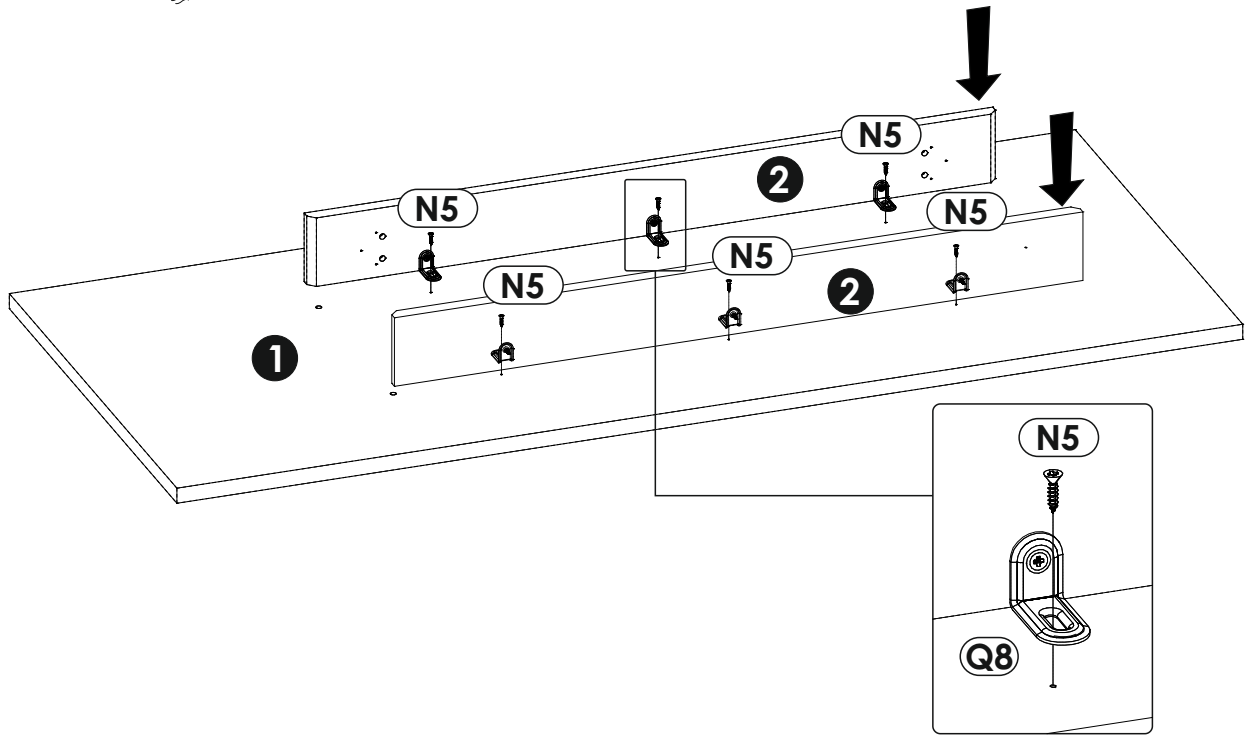
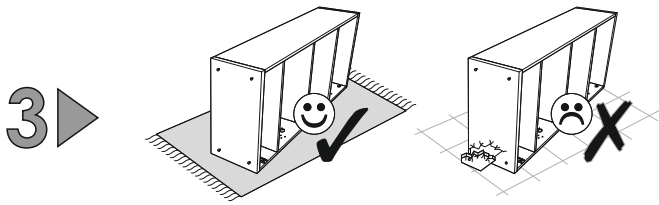
<b>1</b>	1500	648	22	x1	1/1
<b>2</b>	969	100	20	x2	1/1
<b>3</b>	307	100	20	x1	1/1
<b>4</b>	753	80	30	x2	1/1
<b>5</b>	306	60	16	x1	1/1

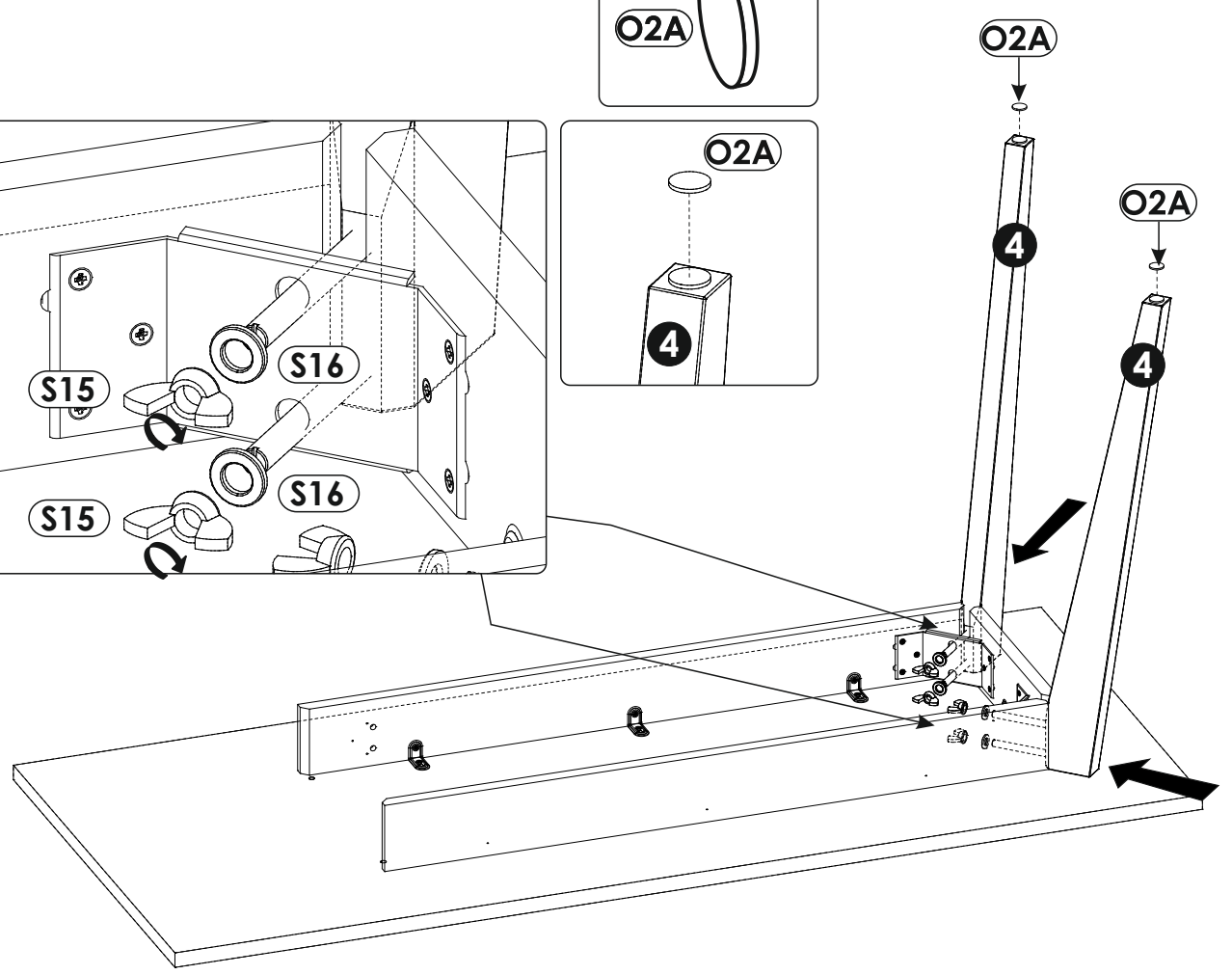
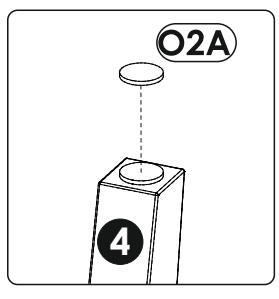
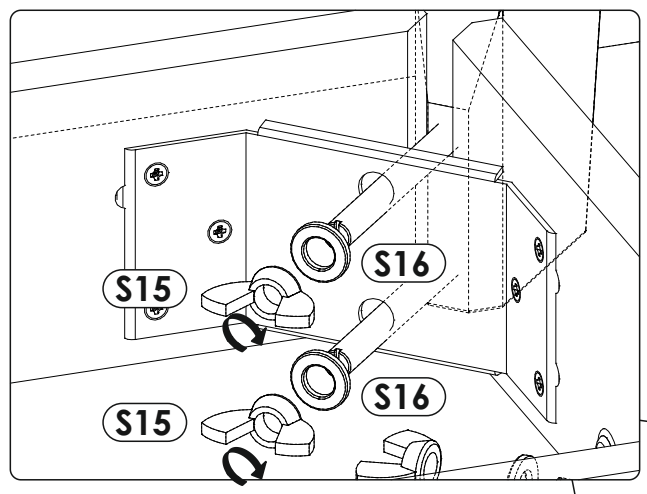
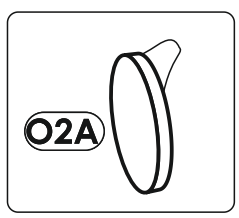
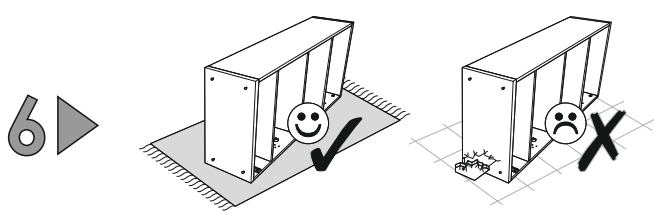
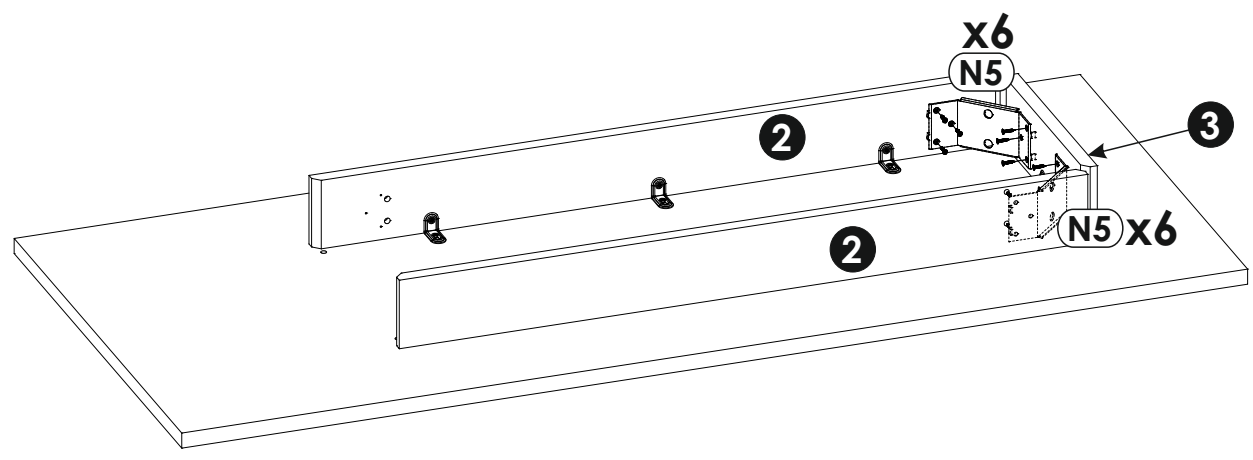
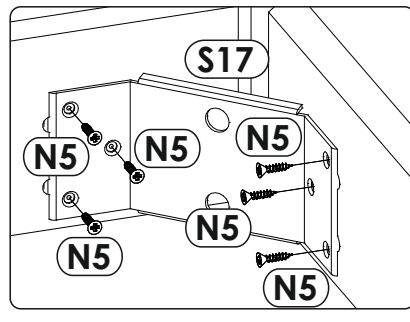
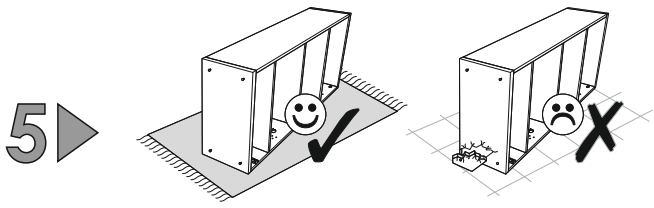
1 ▶



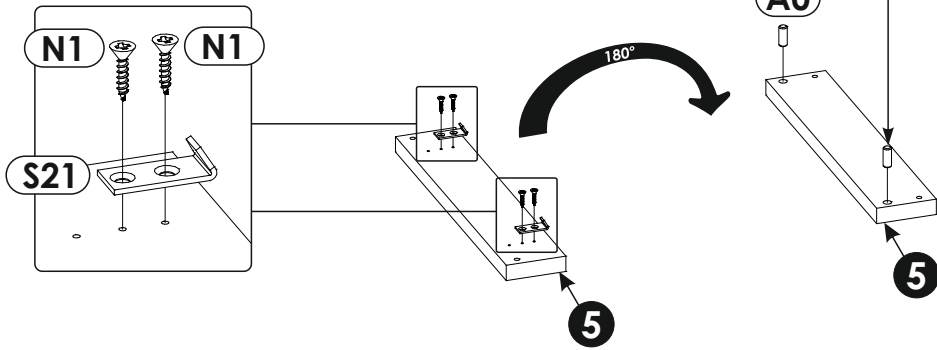
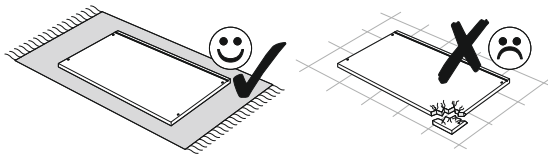
2 ▶



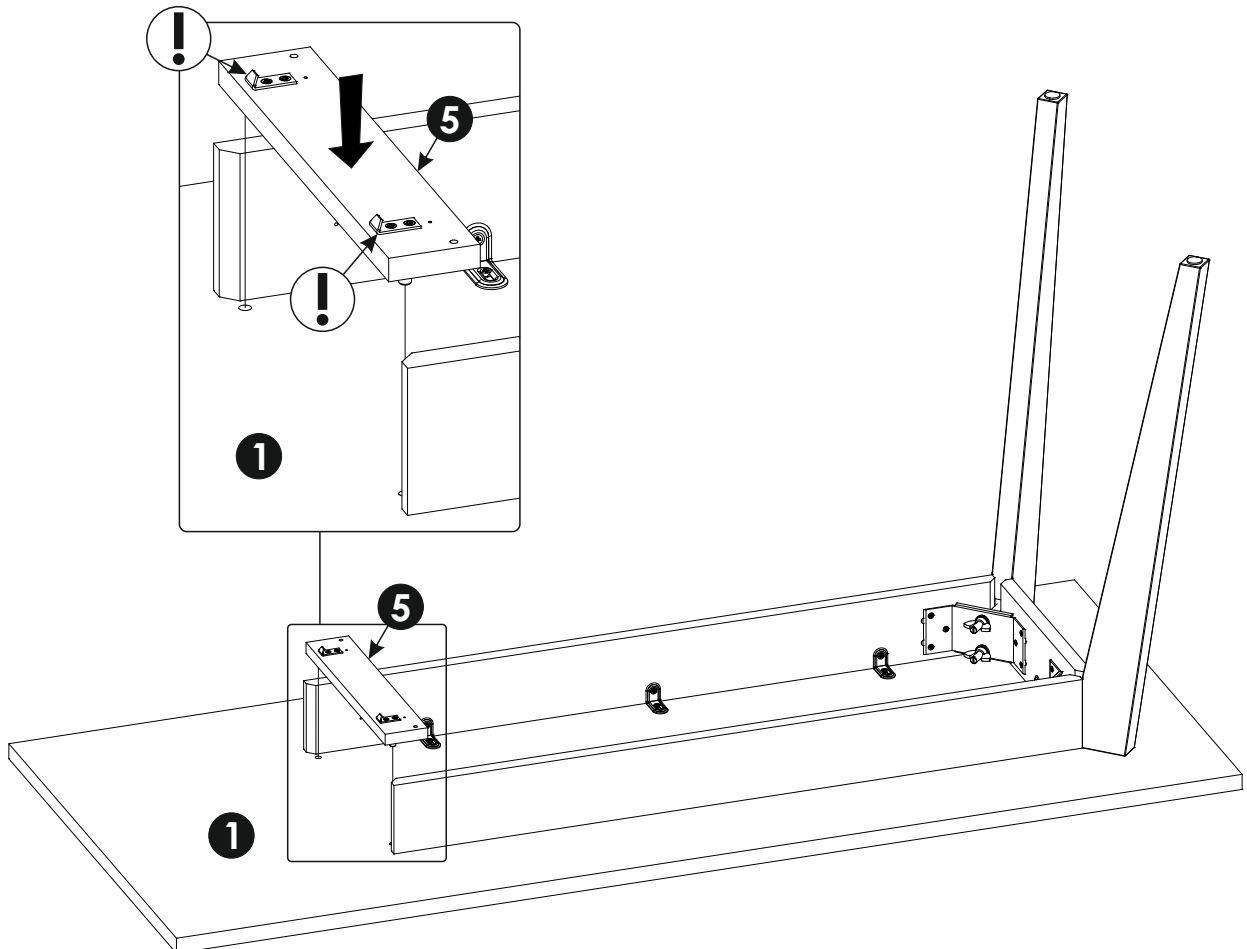
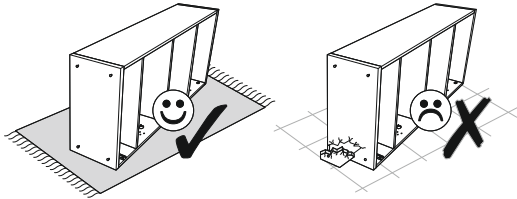




7 ▶

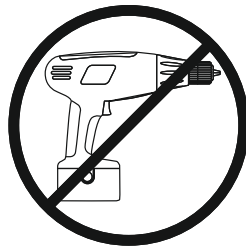
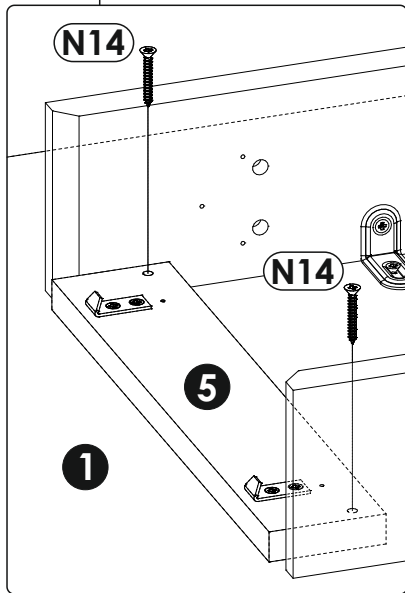
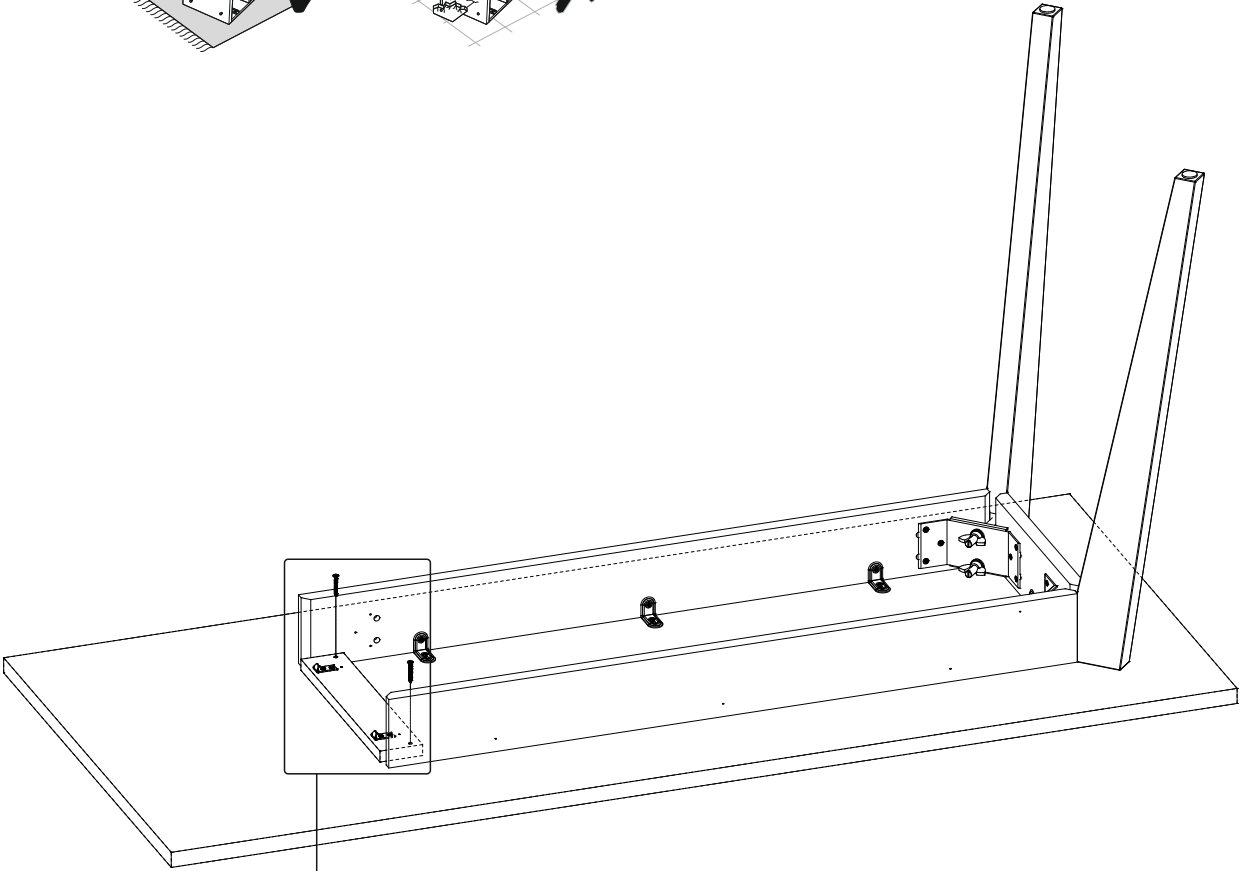
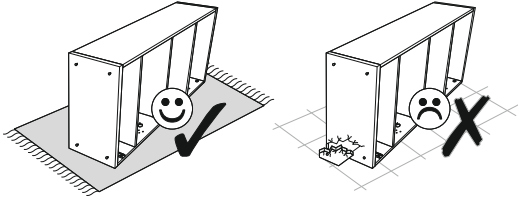


8 ▶



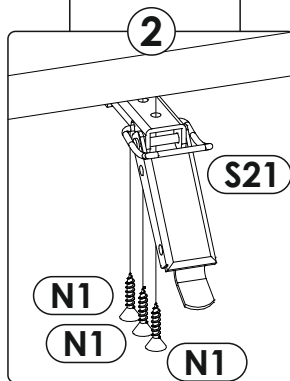
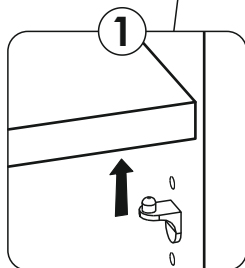
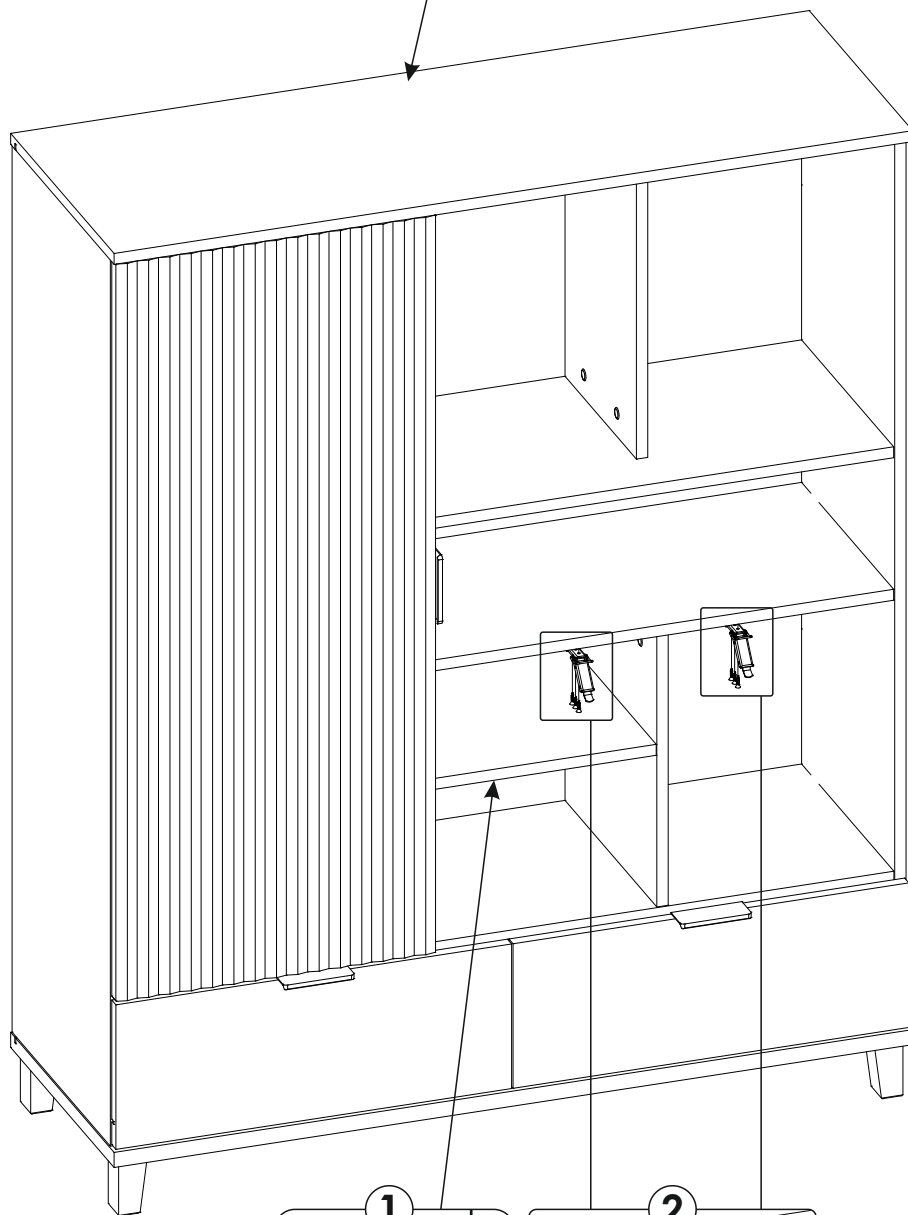


9 ▶



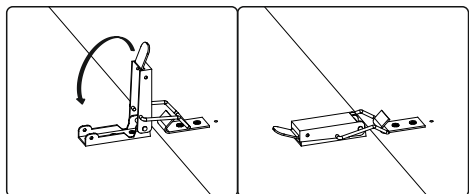
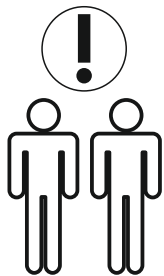
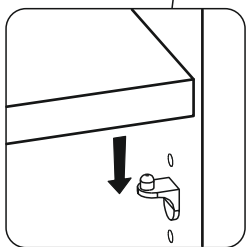
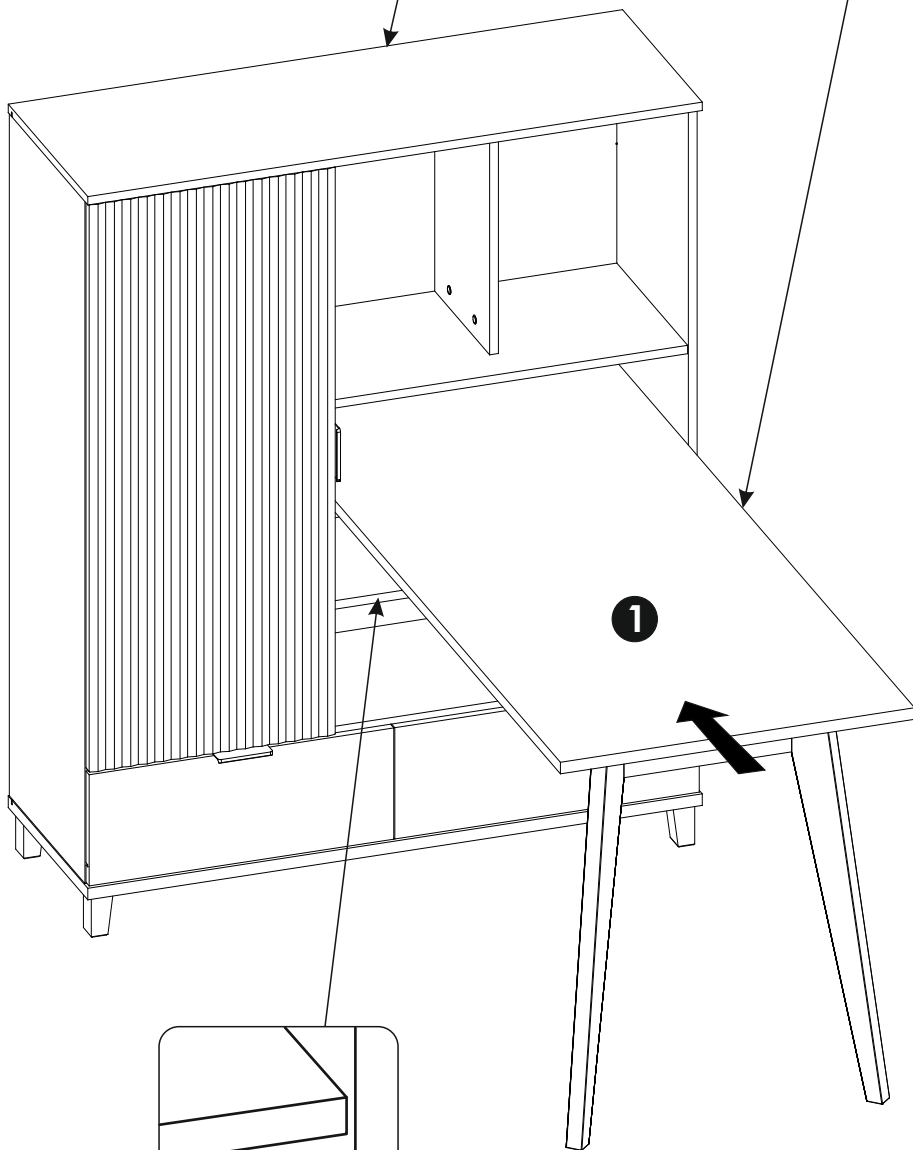
10▶

# PLIR01



11 ▶

PLIR01 + PLIB01



12▶

