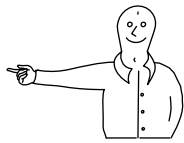
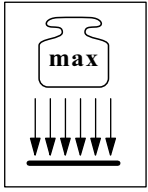
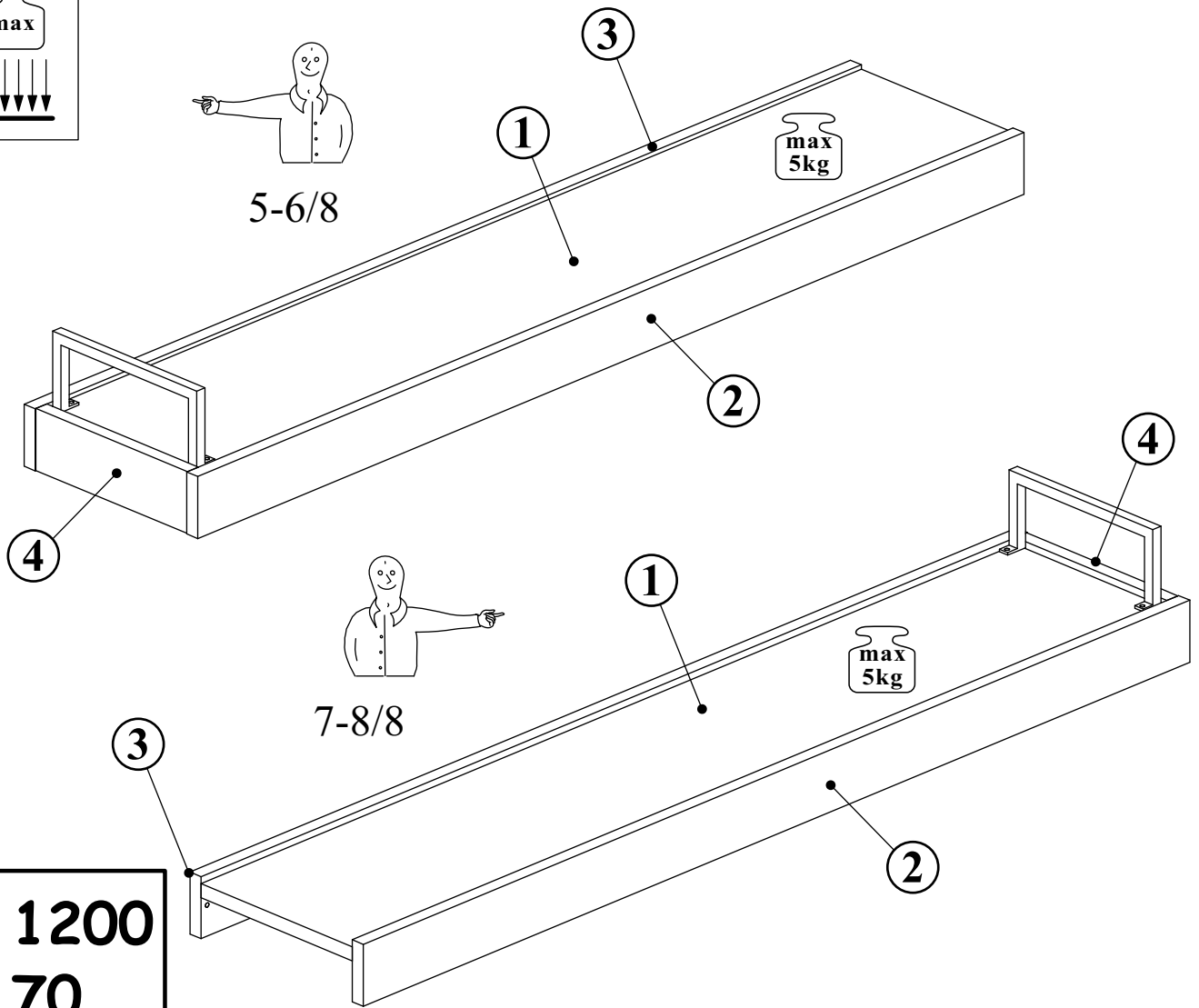


RISE - 70



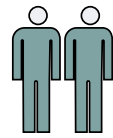
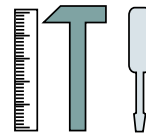
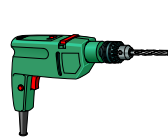
5-6/8



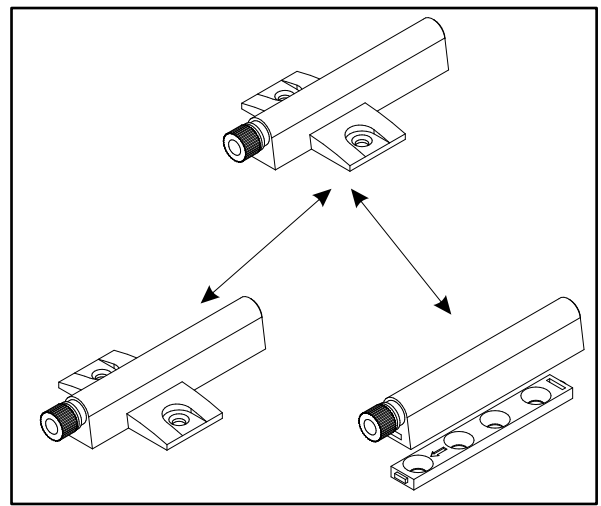
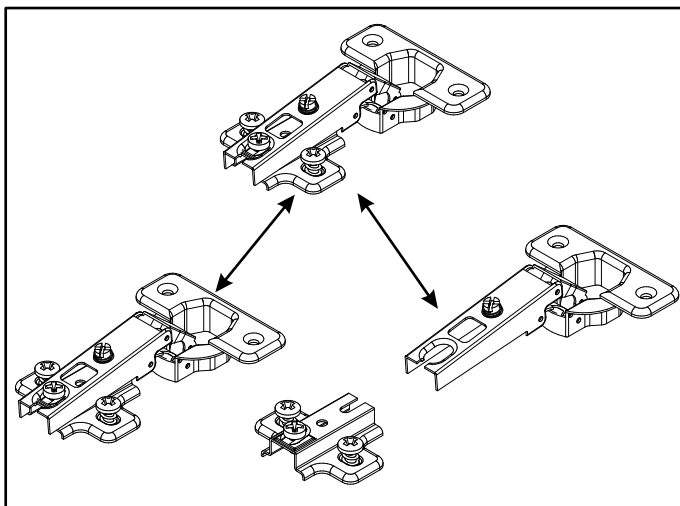
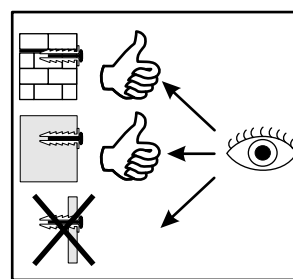
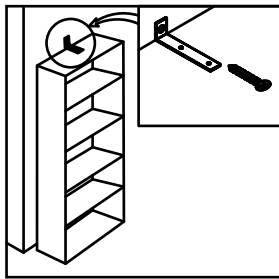
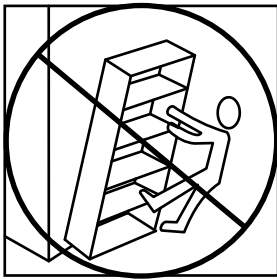
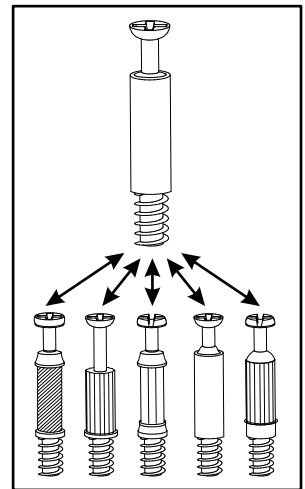
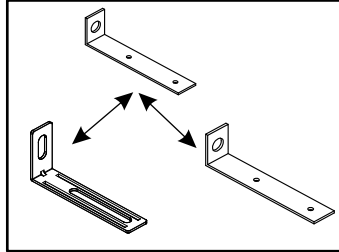
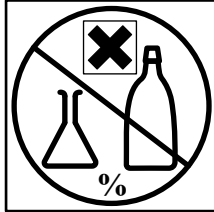
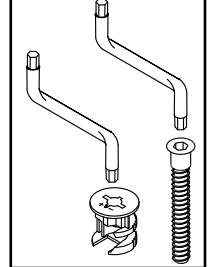
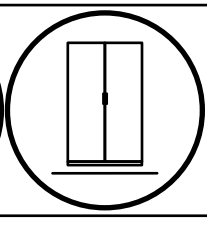
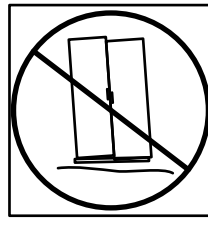
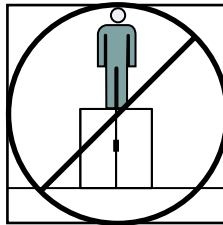
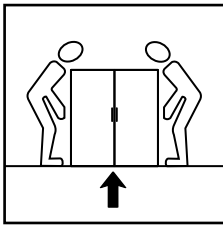
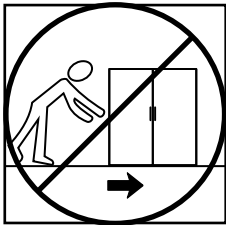
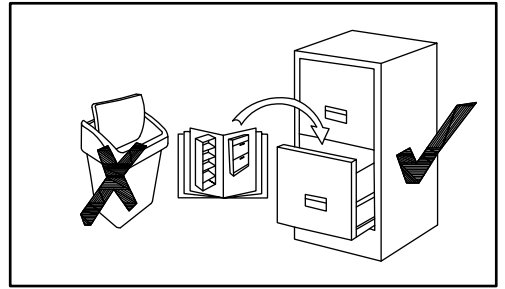
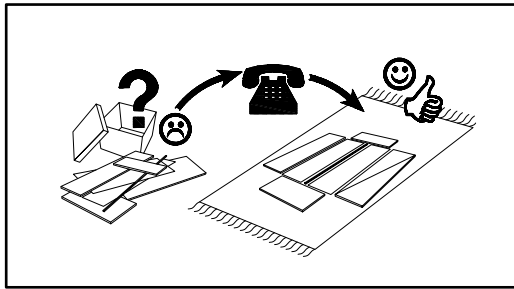
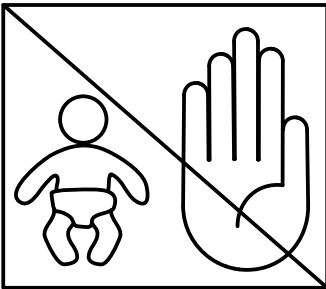
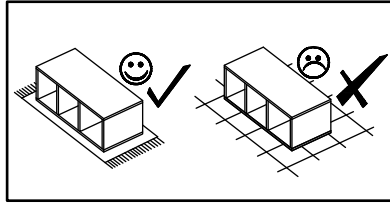
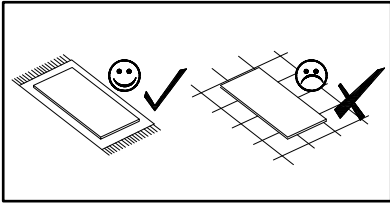
7-8/8

→ 1200
 ↑ 70
 ↗ 252

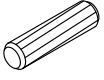
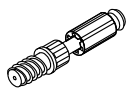
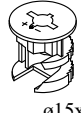




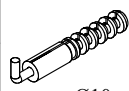

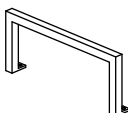


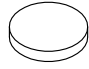
NO	Dim.			Col.-No	Qty
1	1183	220	16	1/3	1
2	1200	70	16	1/3	1
3	1200	70	16	1/3	1
4	220	70	16	1/3	1

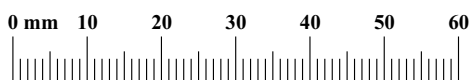


45 min



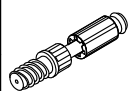

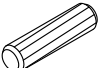
RISE - 70

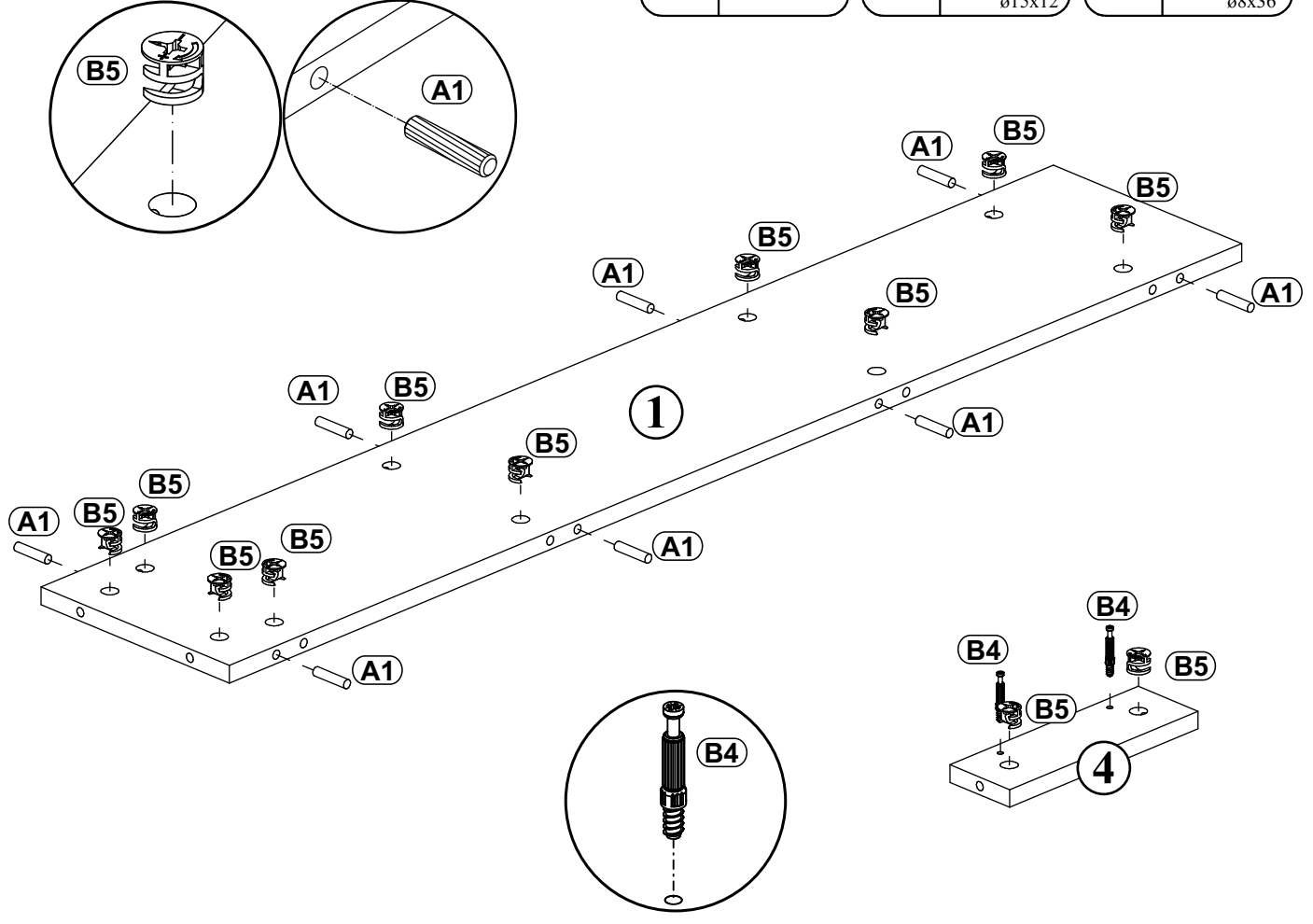
A1 x8 ø8x36		B4 x12		B5 x12 ø15x12		G5 x12		Z2 x2 ø5		ZM1 x2	
G2 x1		KR3 x2 ø10		UP13 x2 UPø3x16		PA1 x1		D20 x4 ESø6x9,5		D10 x2 USø3,5x13	
P3 x2											




RISE - 70

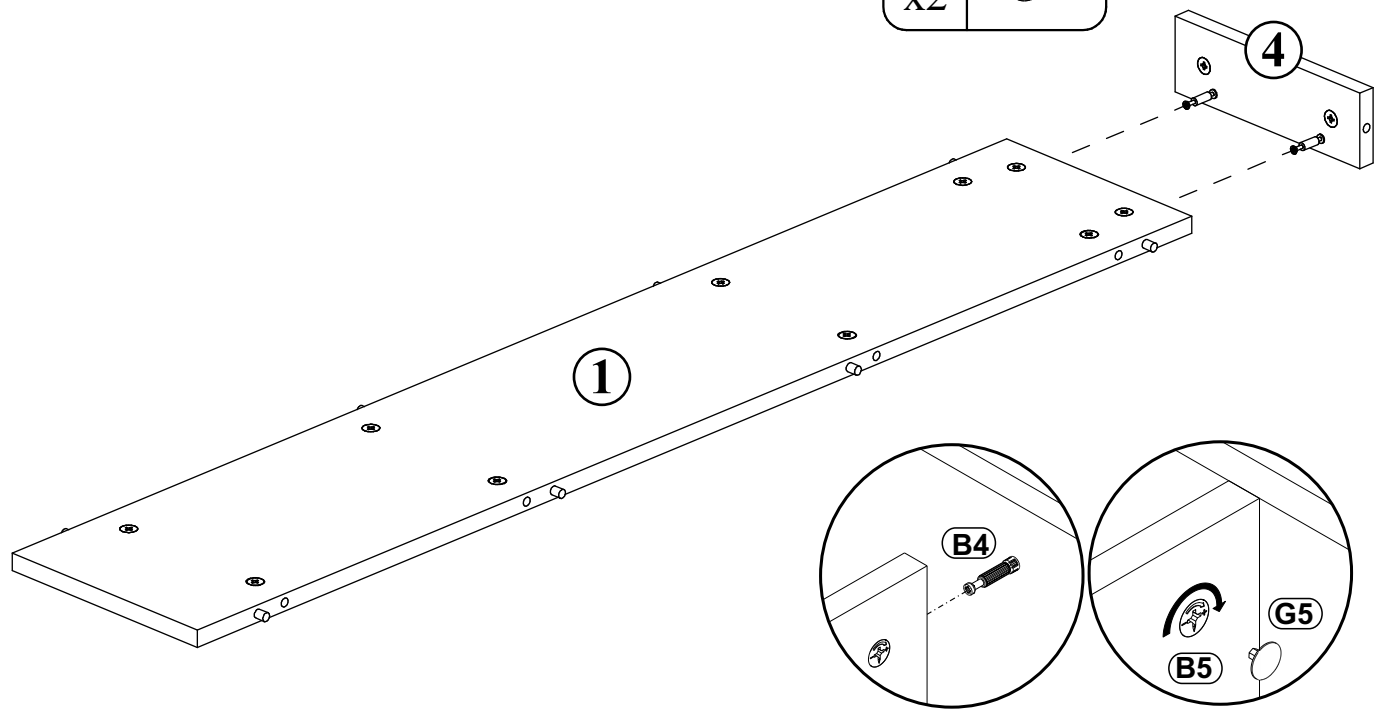
1

B4		B5		A1	
x2		x12	ø15x12	x8	ø8x36




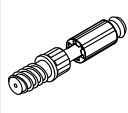
2

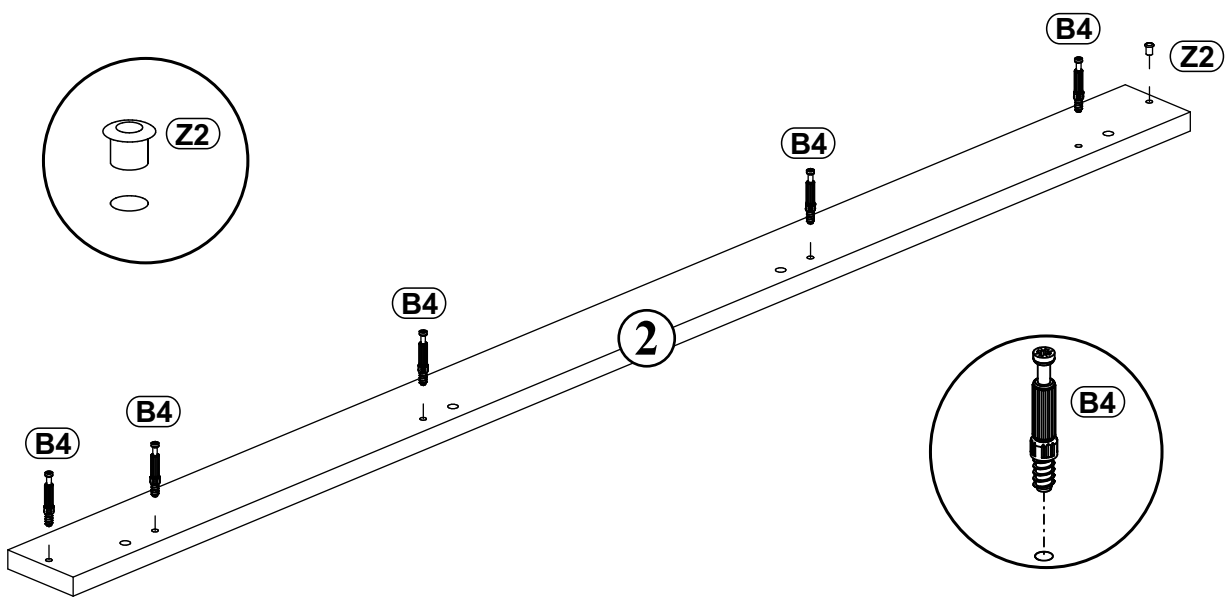
G5	
x2	



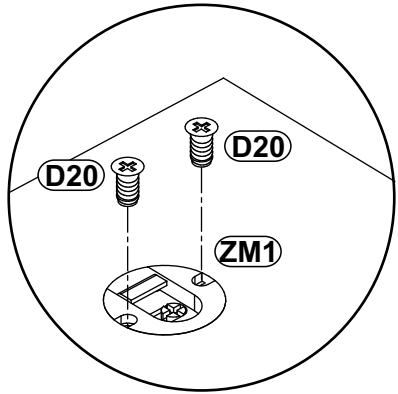
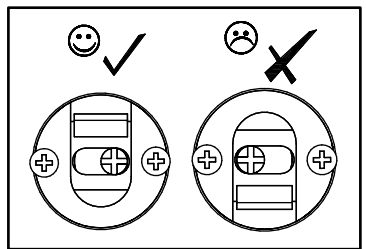
RISE - 70

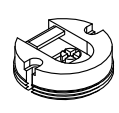


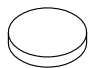
3

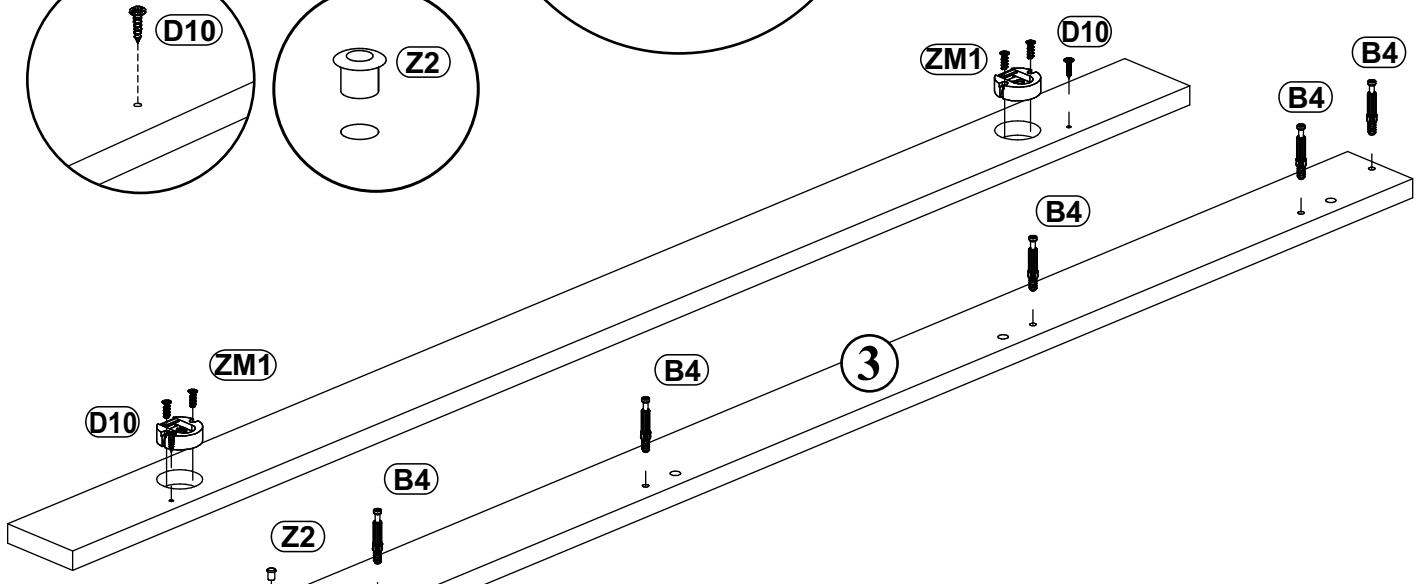
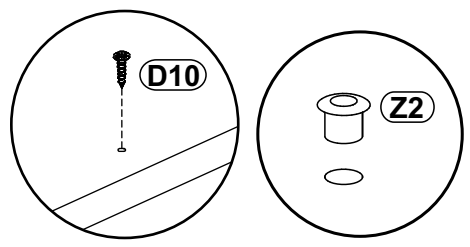
Z2		B4	
x1	Ø5	x5	



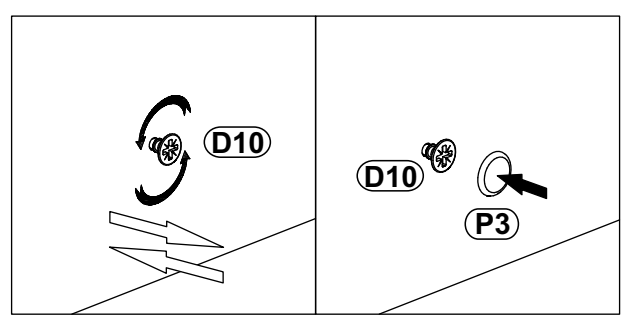
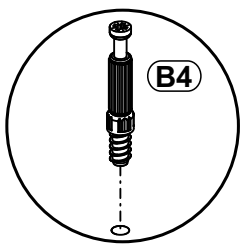
4




ZM1		D20	
x2		x4	ESØ6x9,5
D10		P3	
x2	USØ3,5x13	x2	

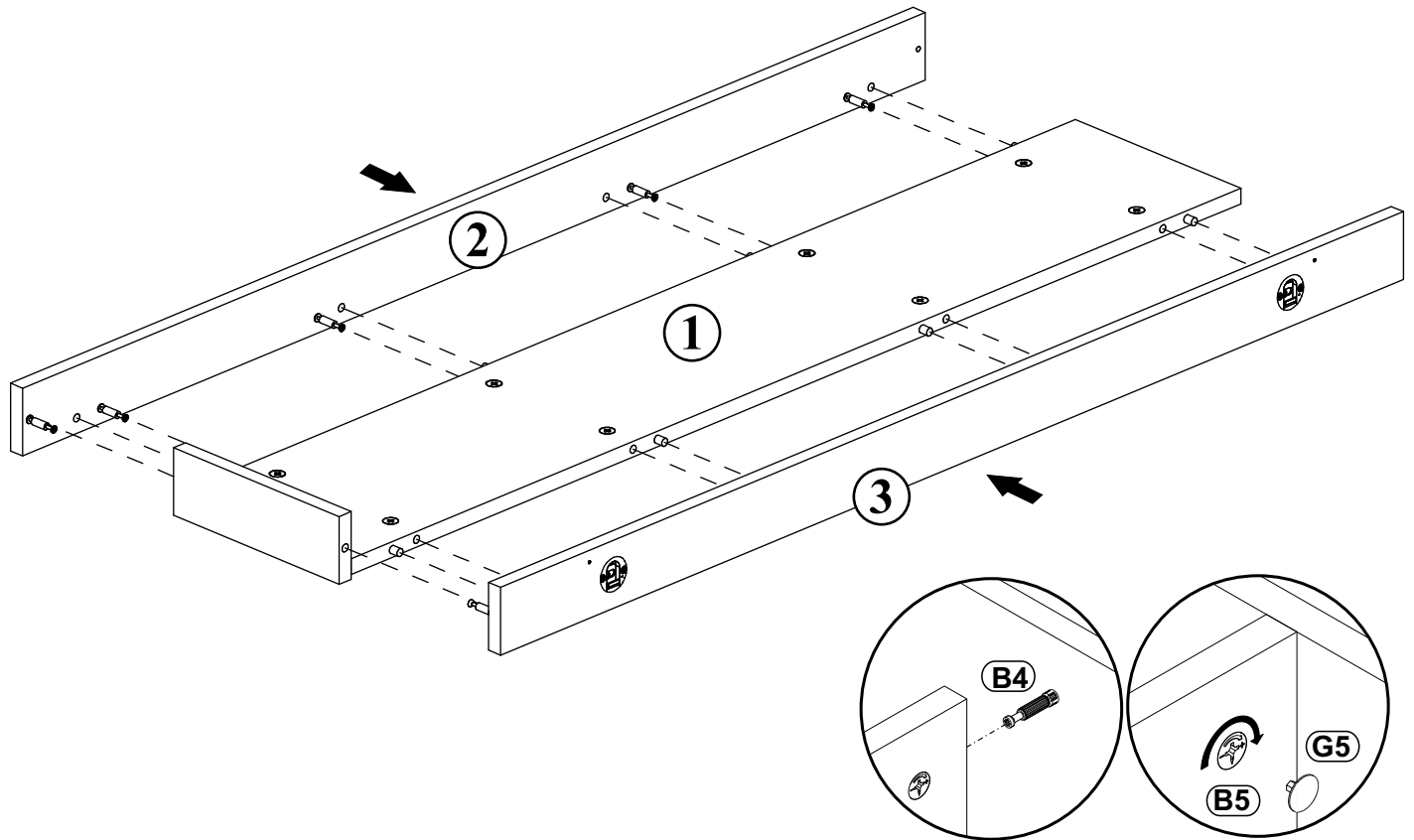


180°

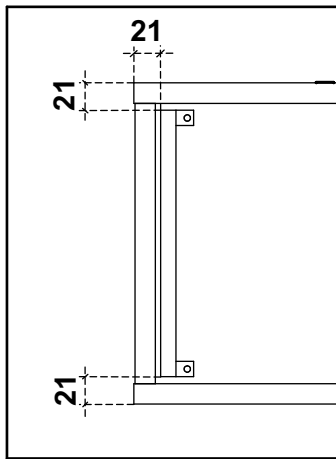


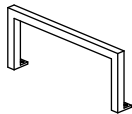

5

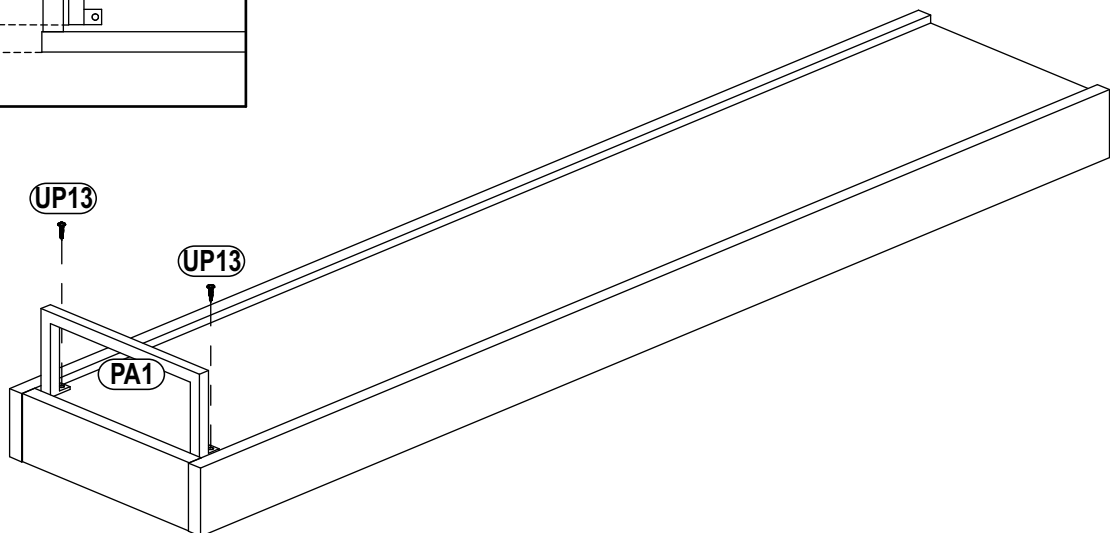
G5	
x10	




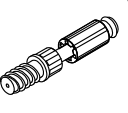
6

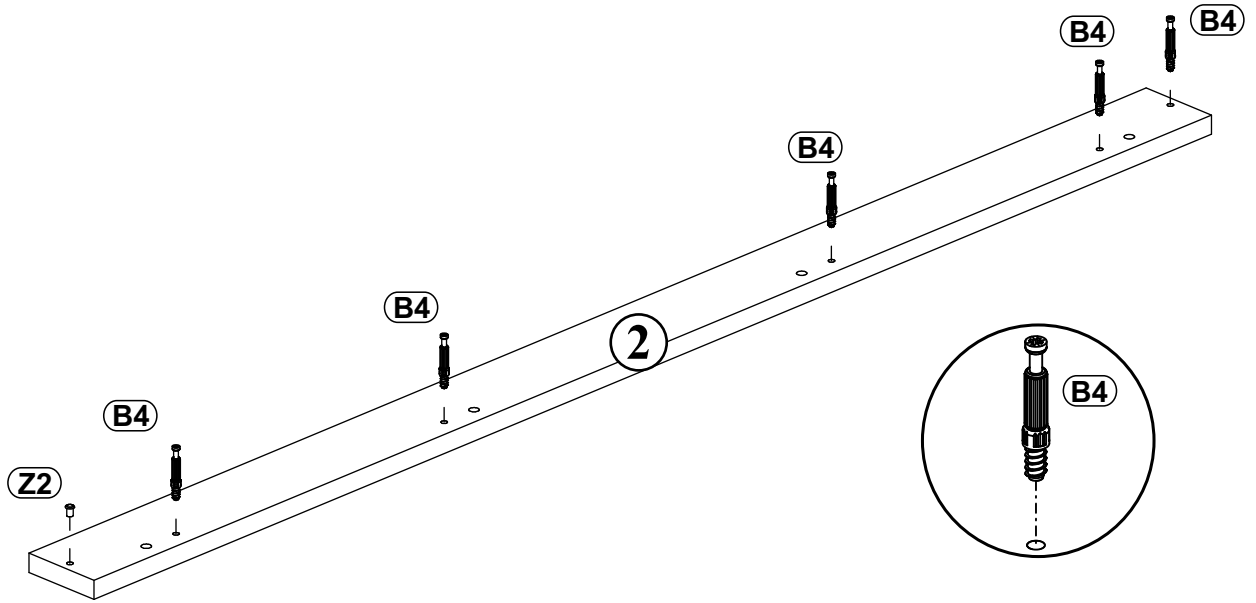


PA1		UP13	
x1		x2	UPØ3x16

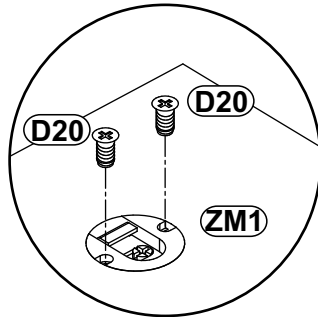
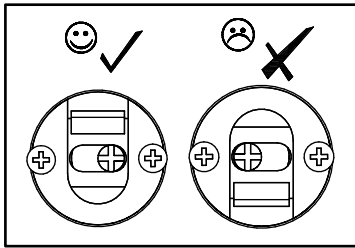





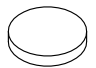
7

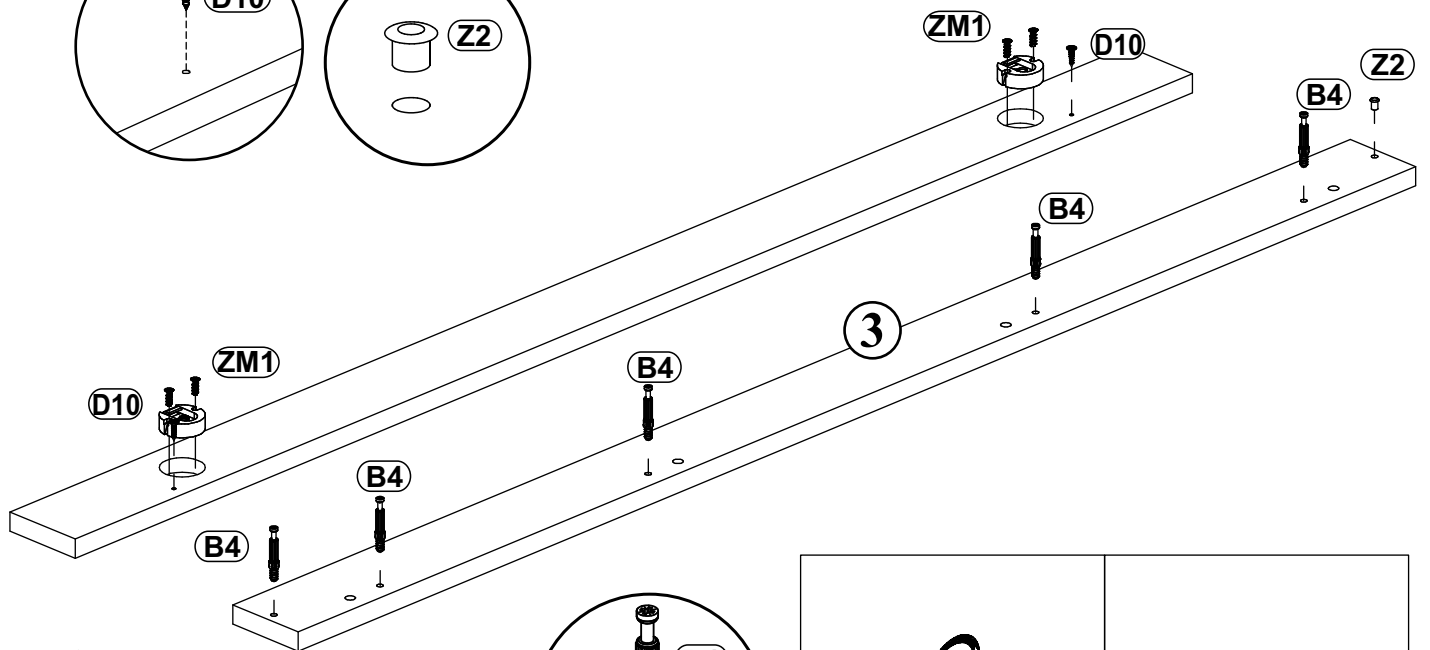
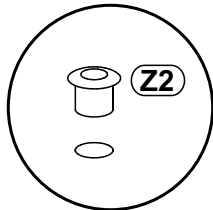
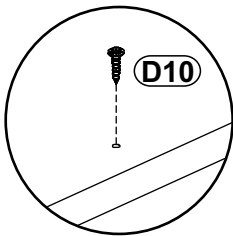
Z2		B4	
x1	Ø5	x5	



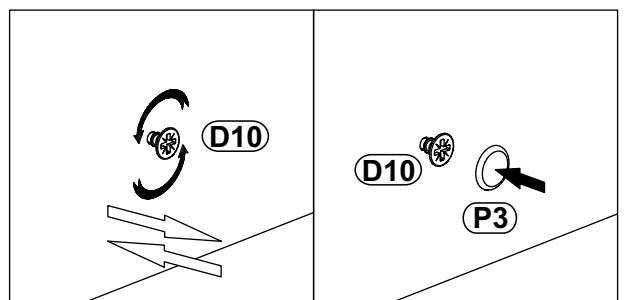
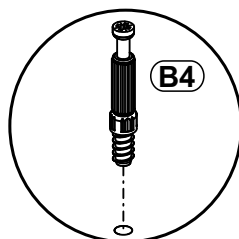
8




ZM1		D20	
x2		x4	ESØ6x9,5
D10		P3	
x2	USØ3,5x13	x2	

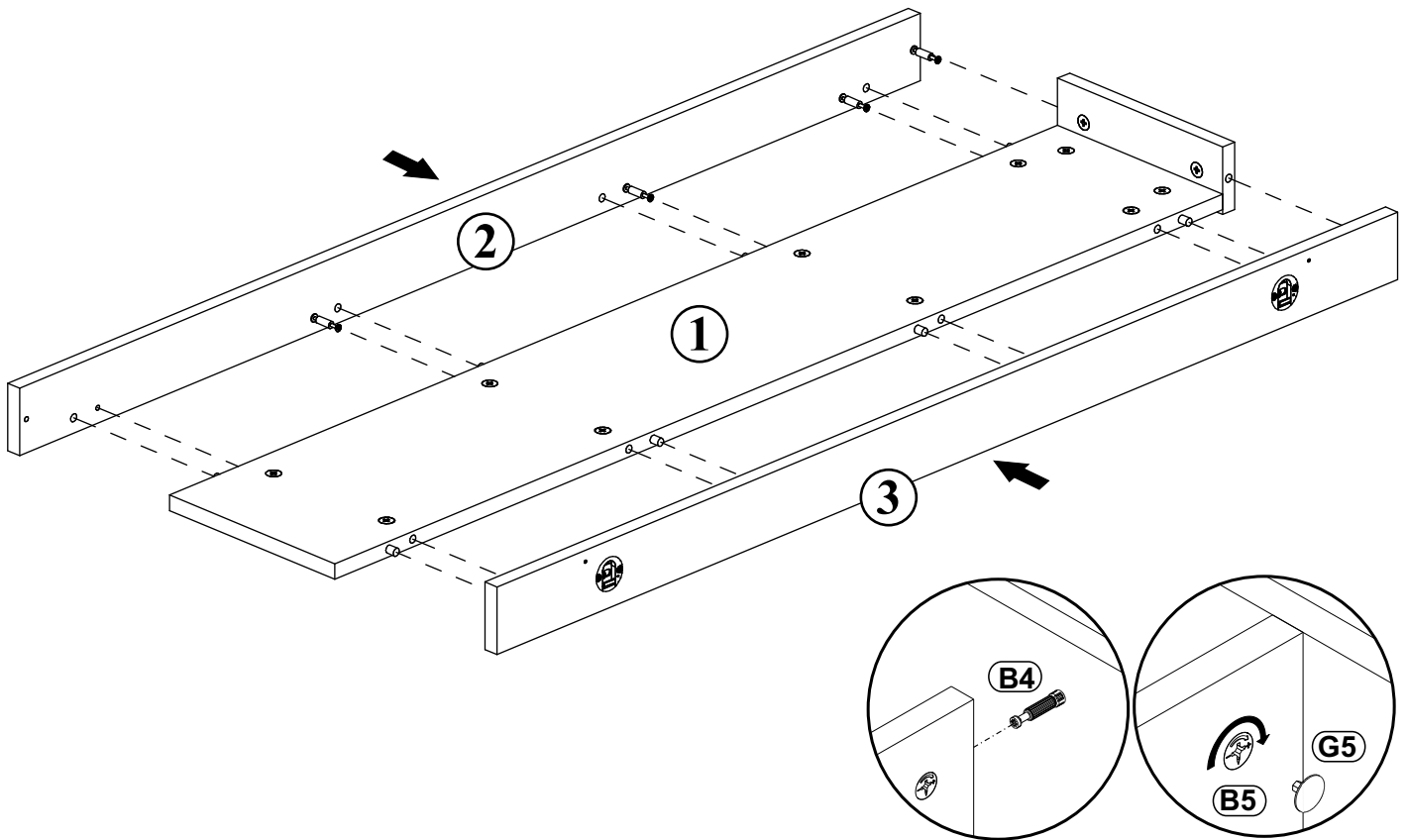


180°

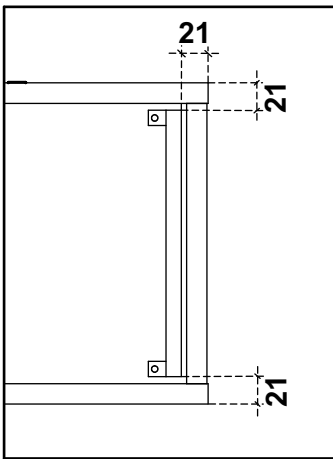


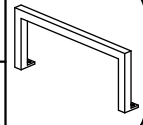

9

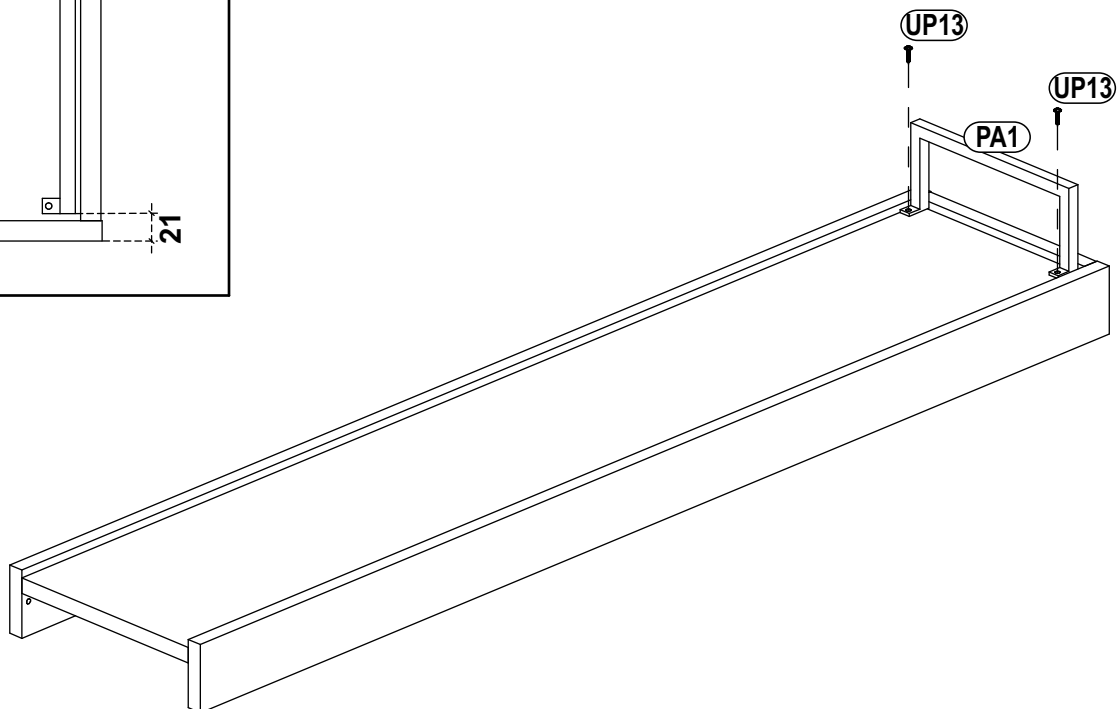
G5	
x10	



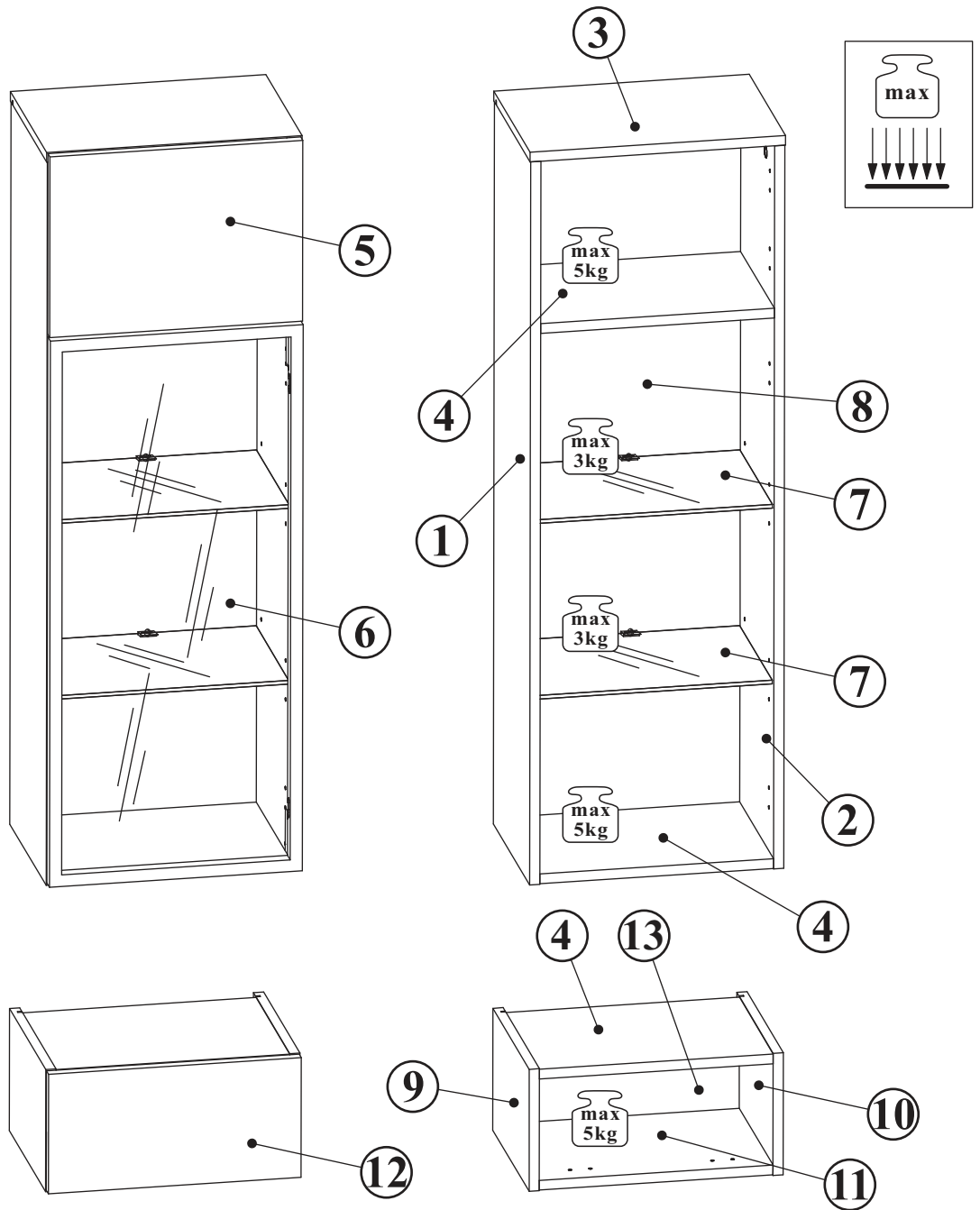
10



PA1		UP13	
x1		x2	UPØ3x16

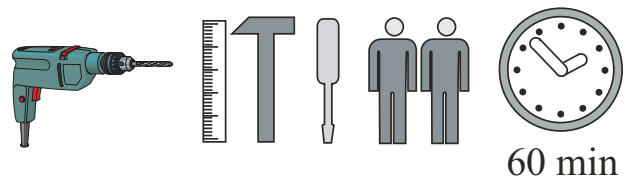


RISE - 10

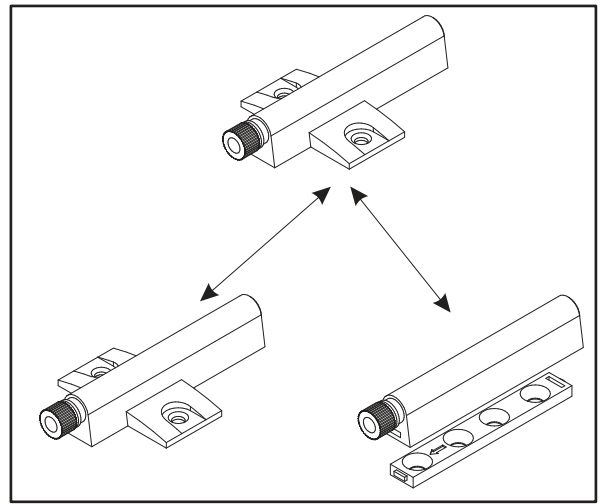
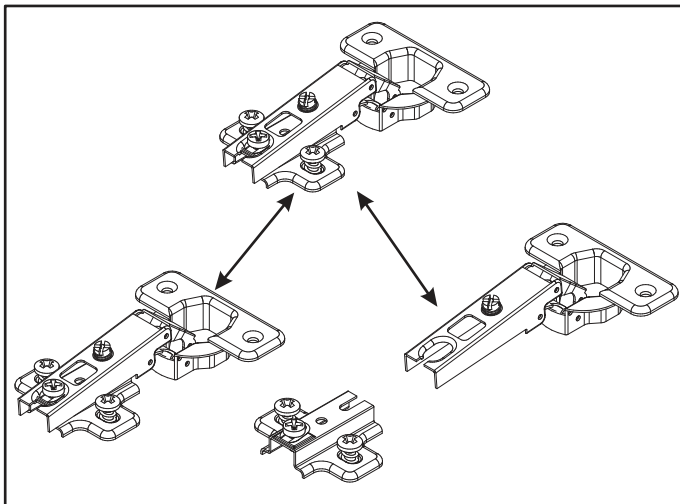
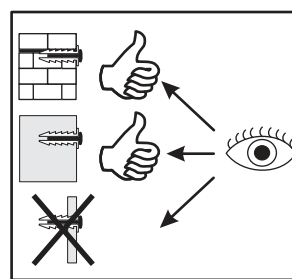
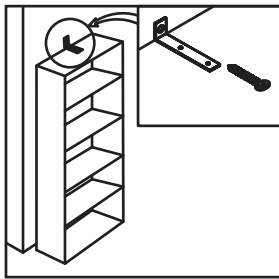
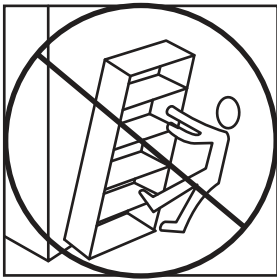
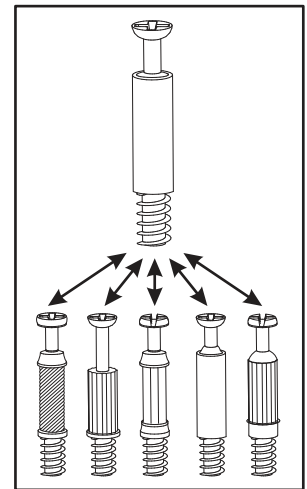
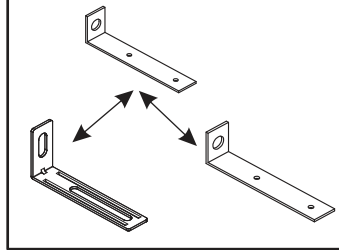
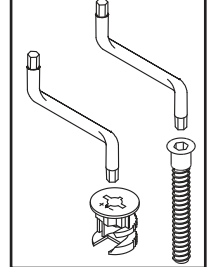
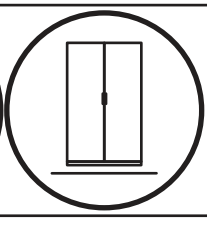
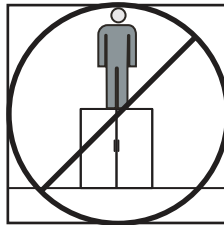
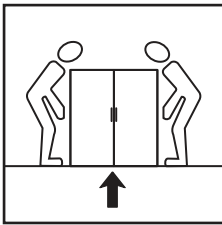
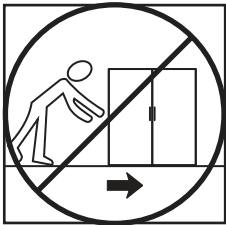
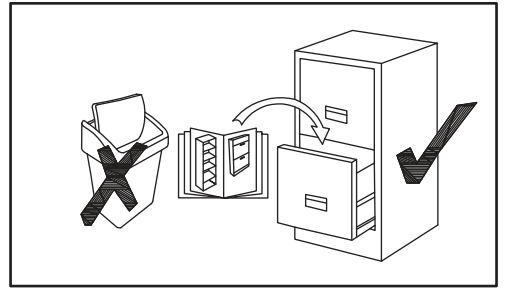
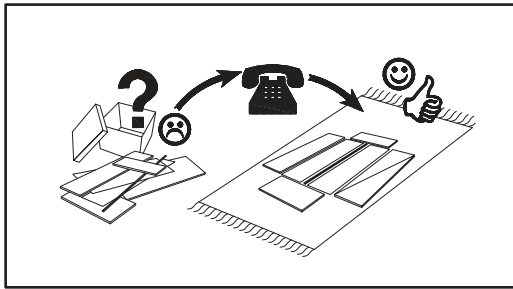
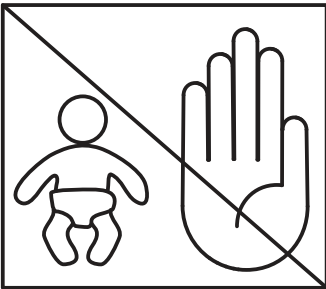
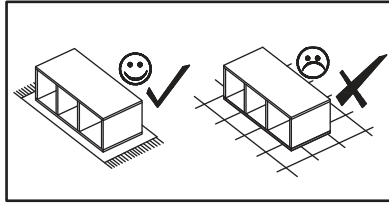
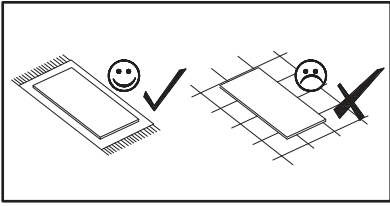


→ 402
 ↑ 1201
 ↓ 200
 ↗ 302

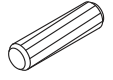
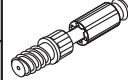


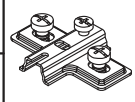
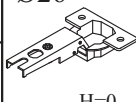

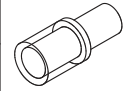
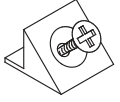
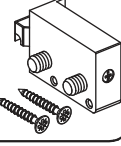
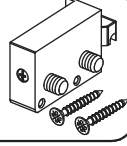

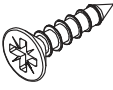

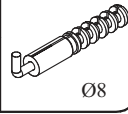


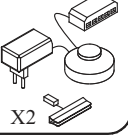
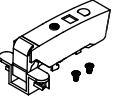
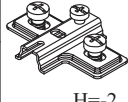
NO	Dim.			Col.-No	Qty
1	1185	286	16	3/3	1
2	1185	286	16	3/3	1
3	402	286	16	3/3	1
4	368	266	16	3/3	3
5	398	296	16	3/3	1
6	895	398	21	3/3	1
7	367	256	6	3/3	2
8	1187	380	3	3/3	1
9	200	286	16	3/3	1
10	200	286	16	3/3	1
11	368	266	16	3/3	1
12	398	196	16	3/3	1
13	380	194	3	3/3	1

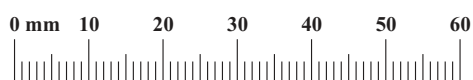


60 min



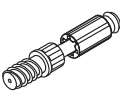
RISE - 10


A1 x20  ø8x36	B4 x20 	B5 x20  ø15x12	G5 x20 	E2 x4  H=0	E1 x4  Ø26 H=0
T1 x3 	G20 x8 	S1 x12 	ZXL x2 	ZXP x2 	D10 x16  USØ3,5x13
D7 x3  USØ3x16	G2 x1 	KR2 x4  Ø8	UP13 x9  UPØ3x16	G21 x1 	LED x1  x2
E30 x2 	E4 x2  H=-2				

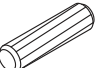


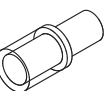
RISE - 10

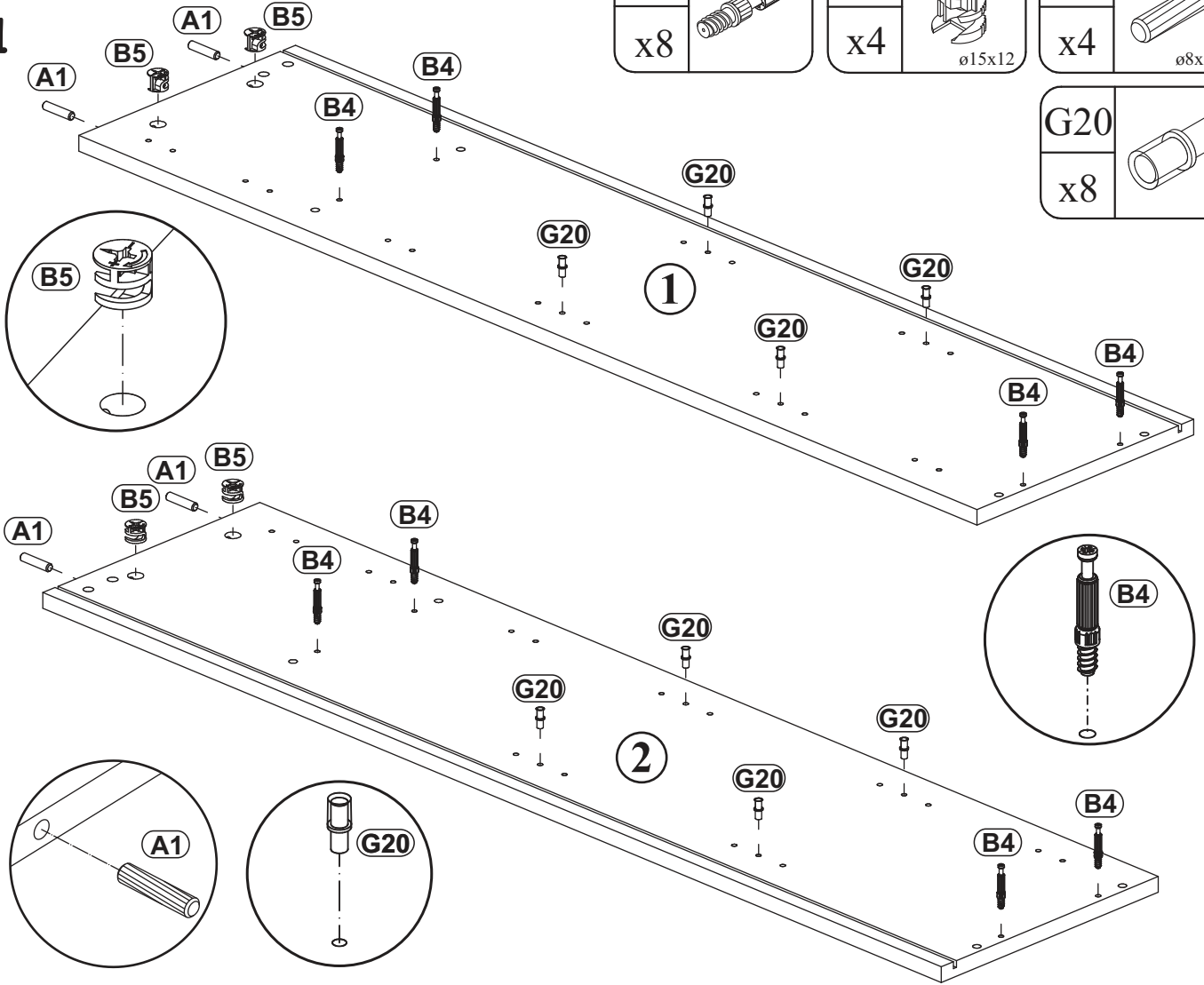
1

B4	
x8	

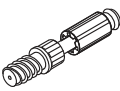
B5	
x4	ø15x12

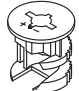
A1	
x4	ø8x36

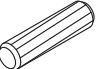
G20	
x8	

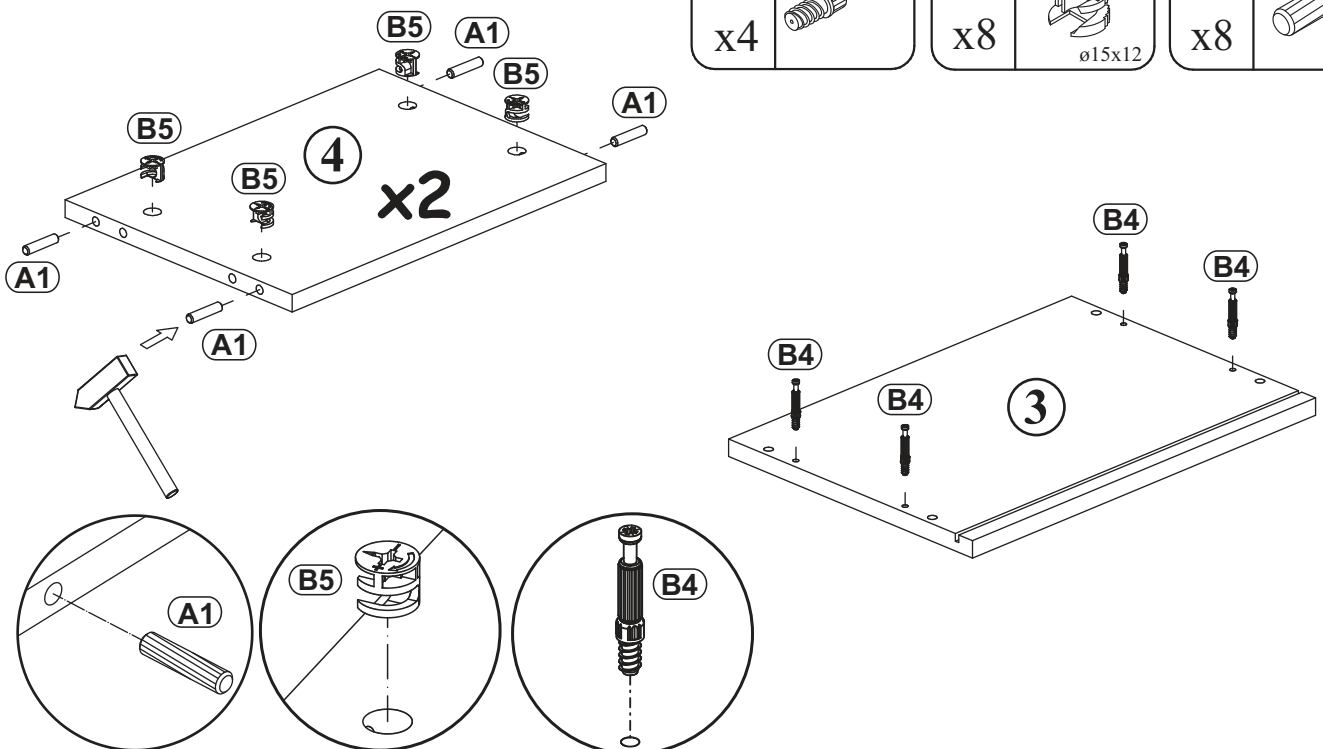


2

B4	
x4	

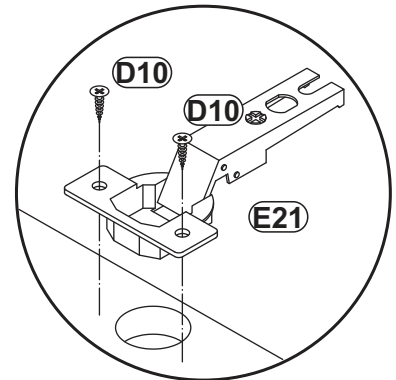
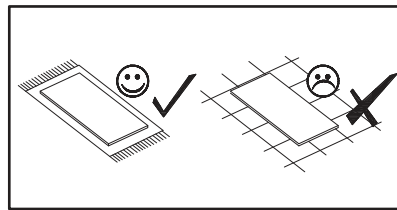
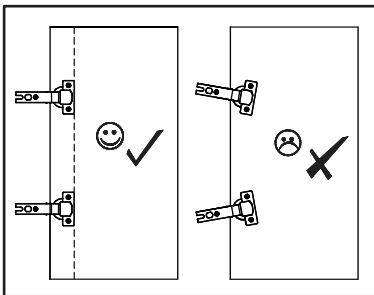
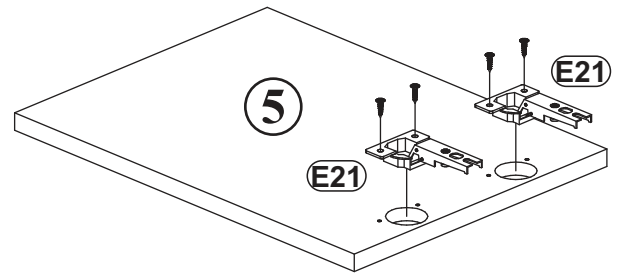
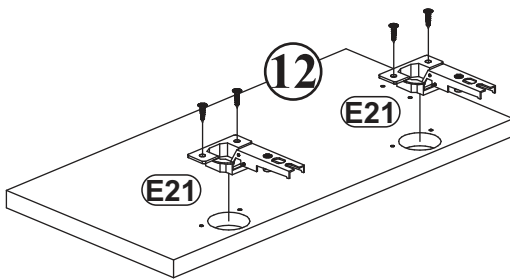
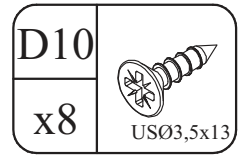
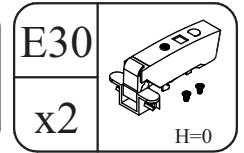
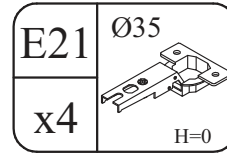
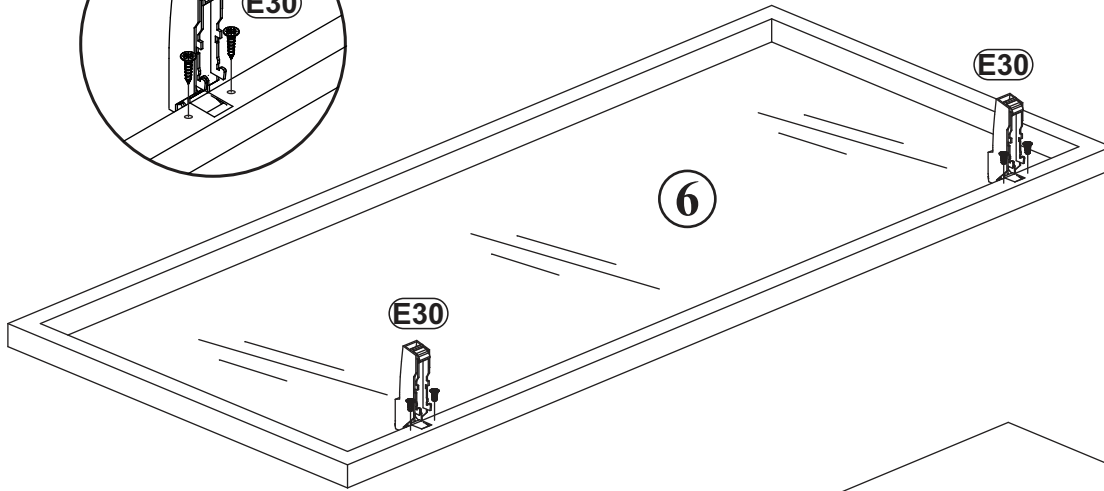
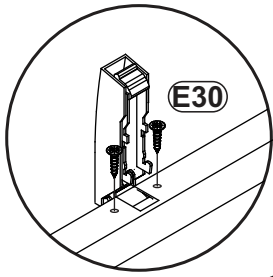
B5	
x8	ø15x12

A1	
x8	ø8x36

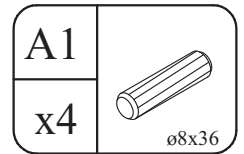
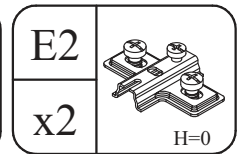
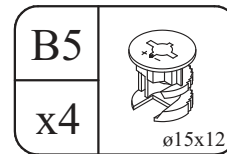
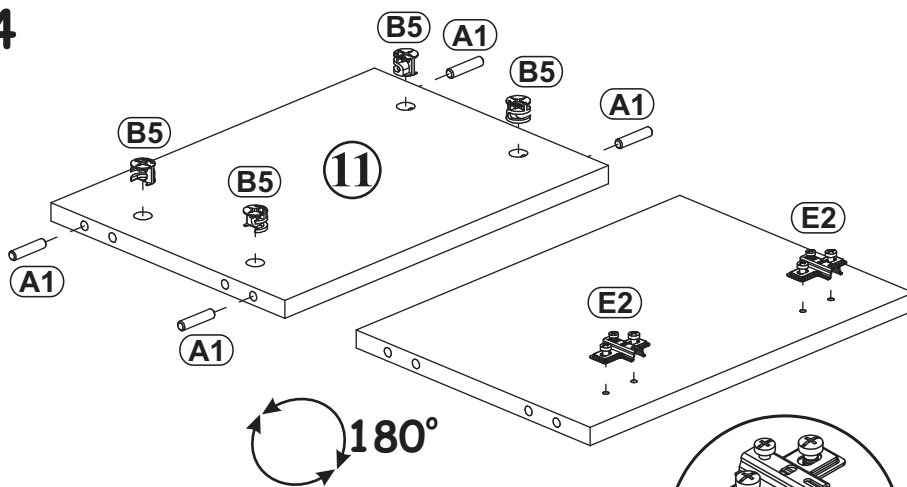


RISE - 10

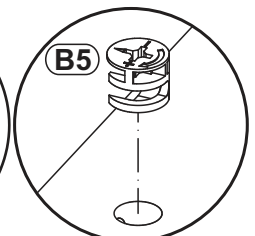
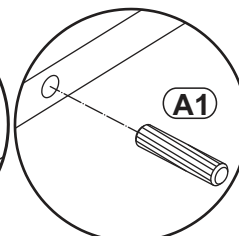
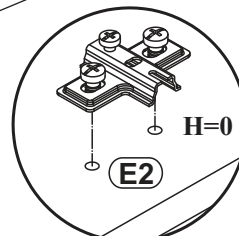
3



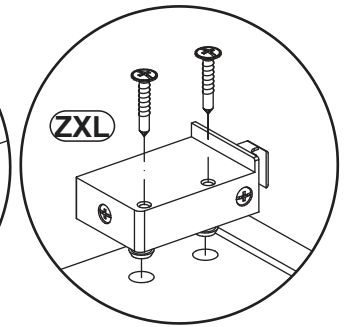
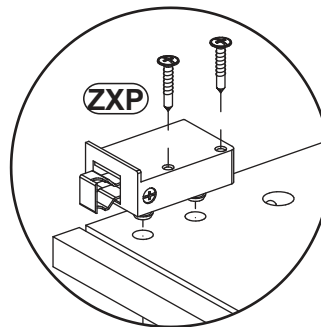
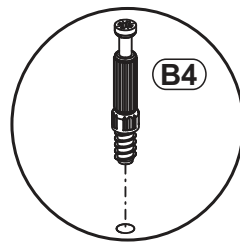
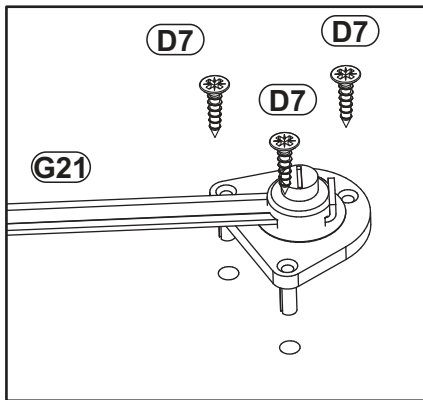
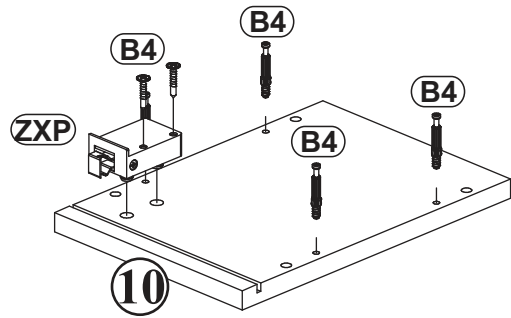
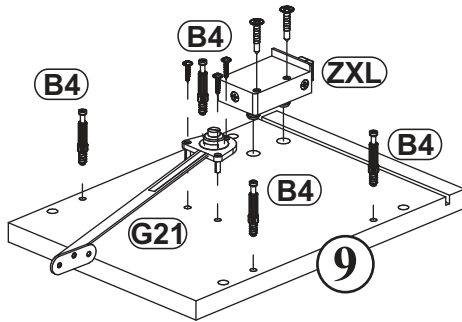
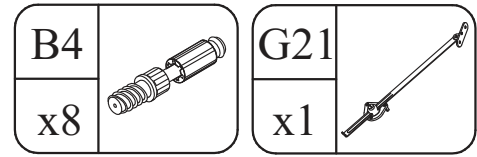
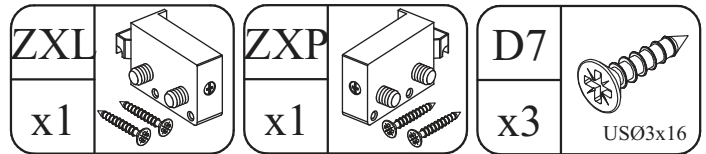
4



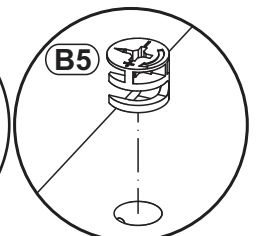
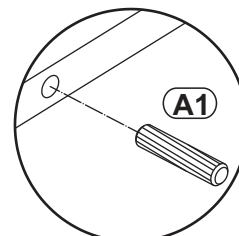
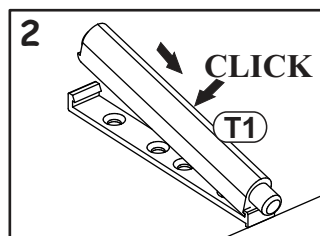
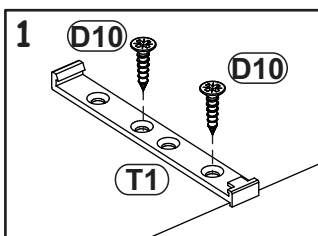
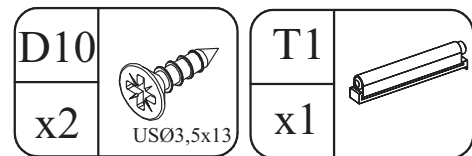
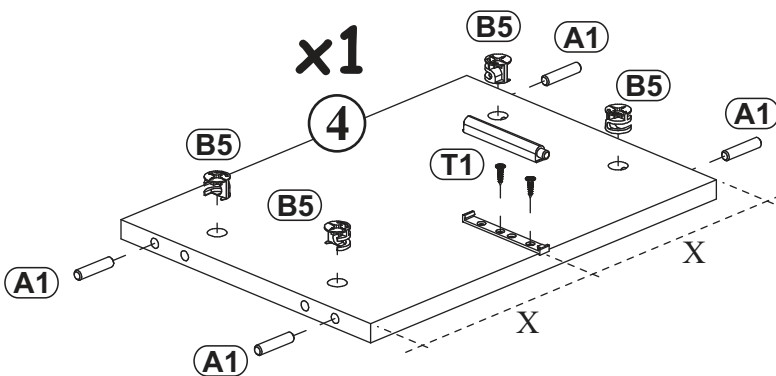
180°




5

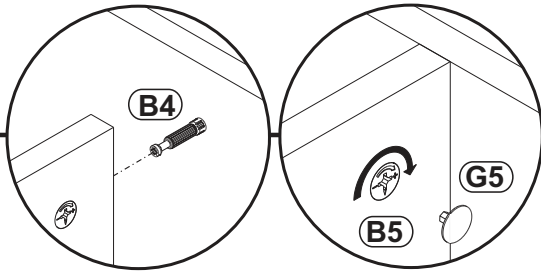
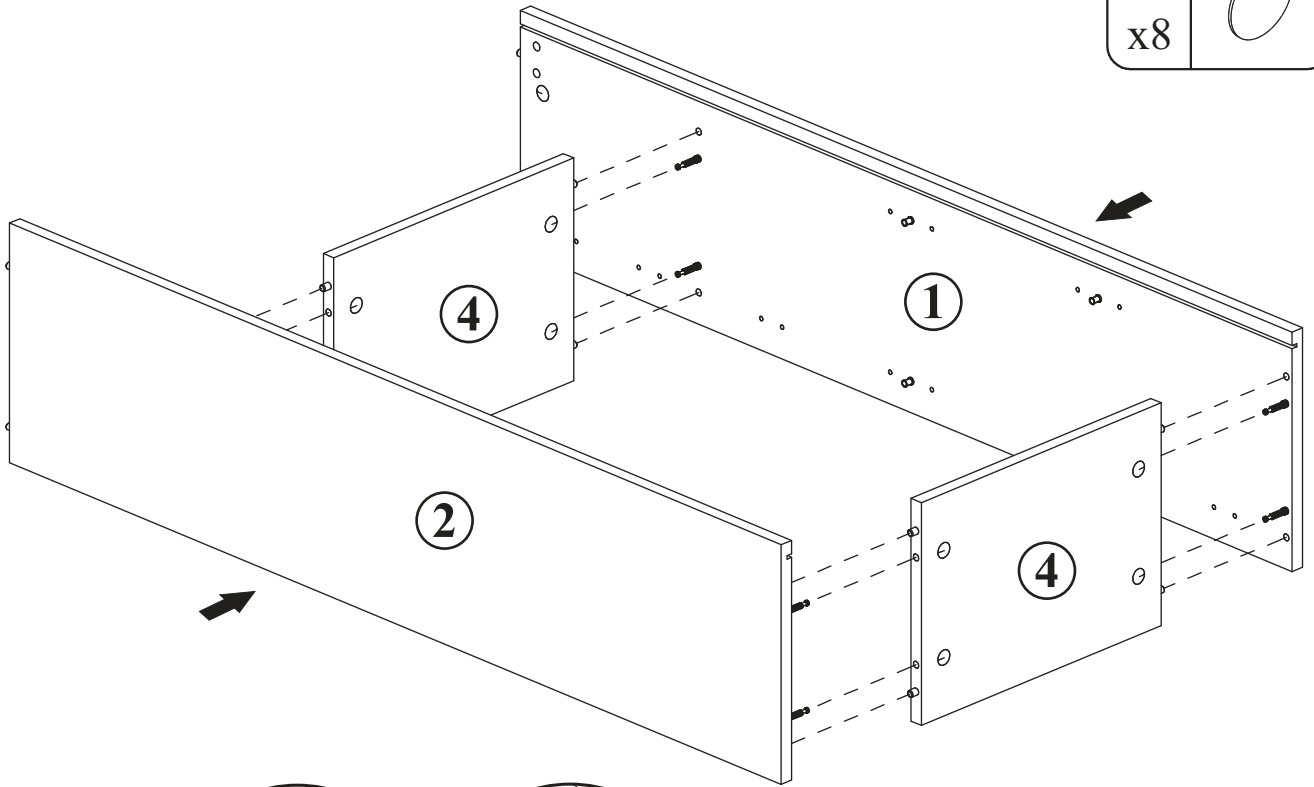


6




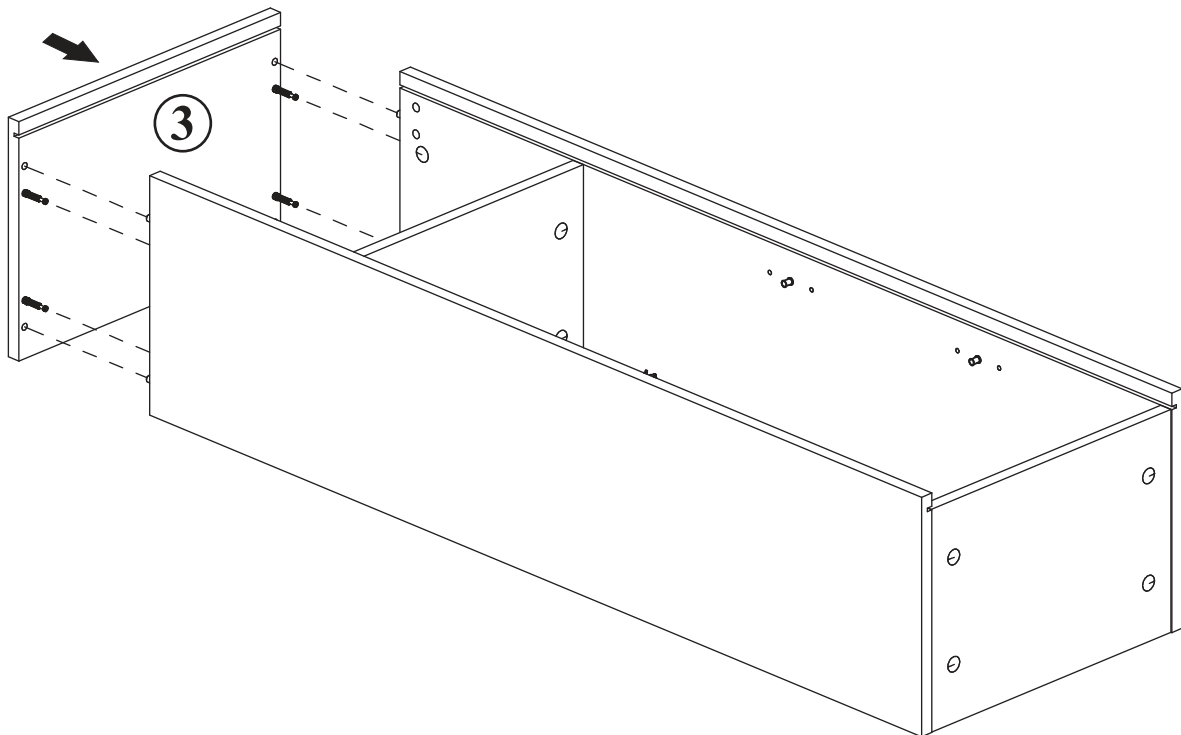
7

G5	
x8	

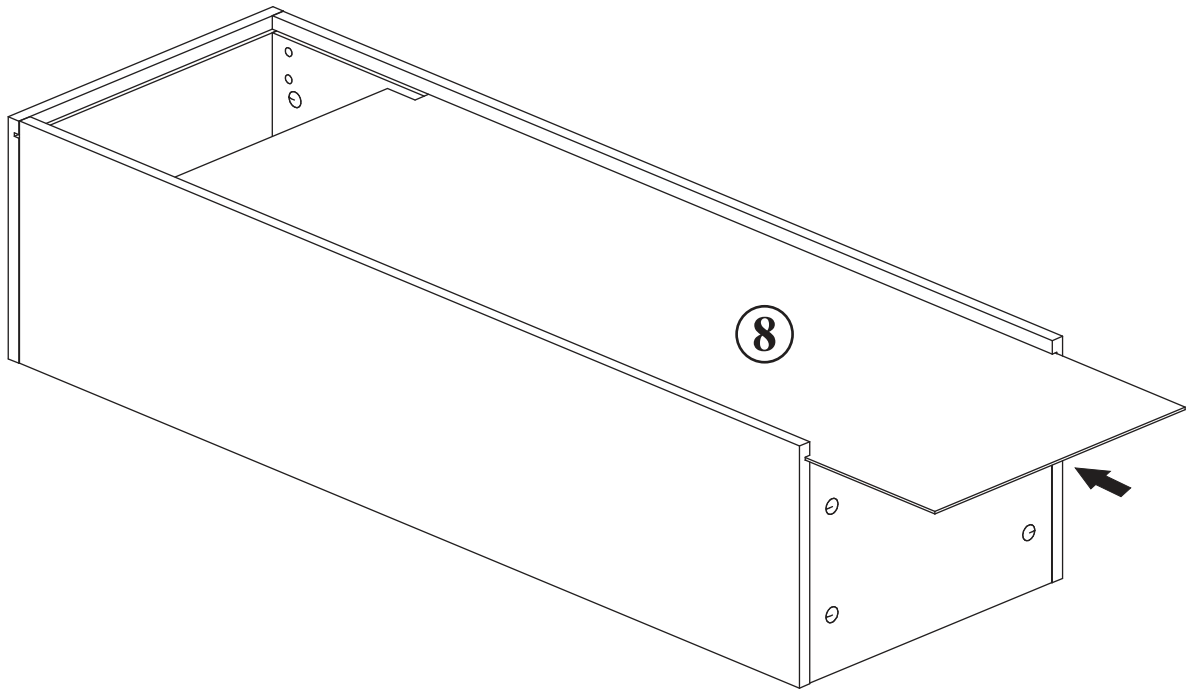


8



G5	
x4	

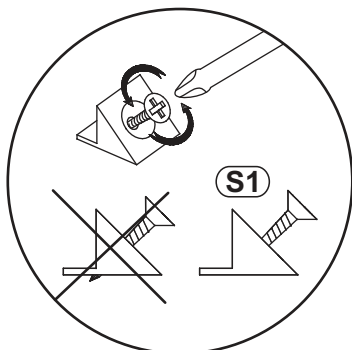
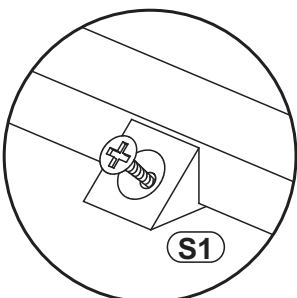
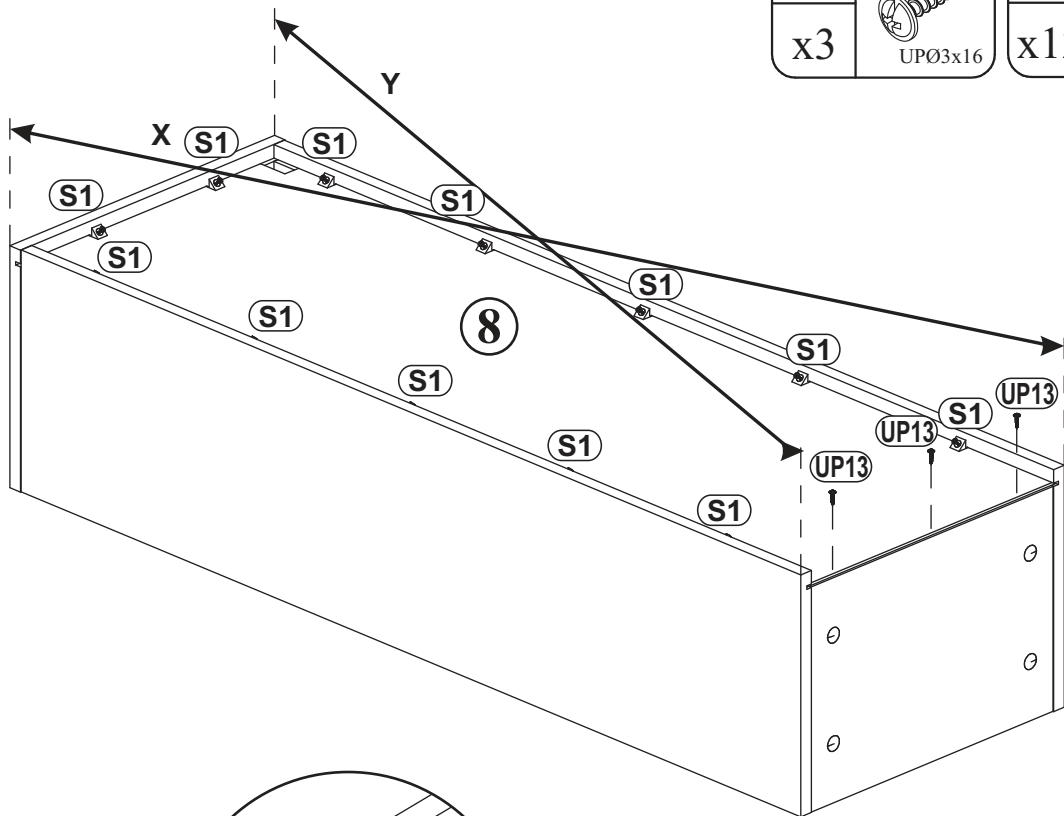


9

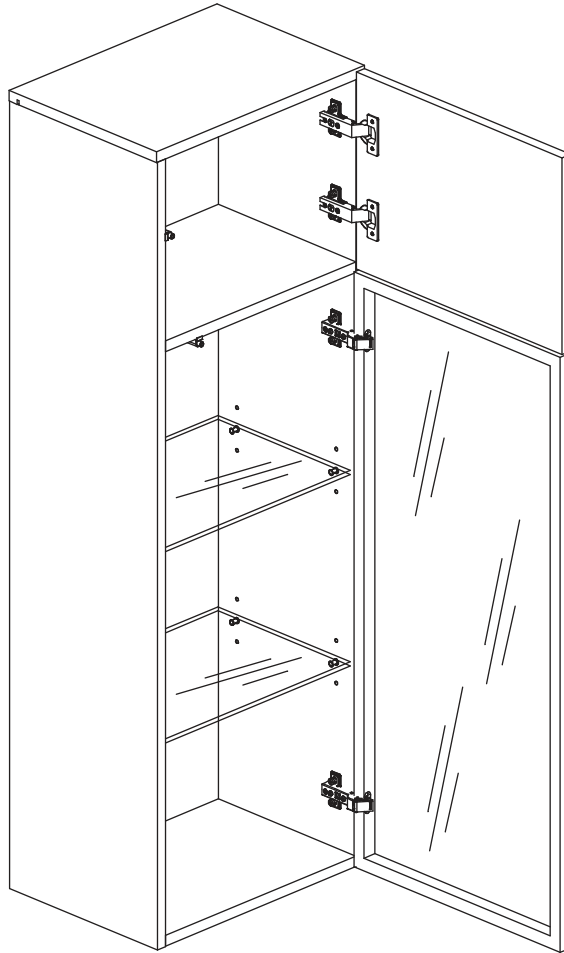


10

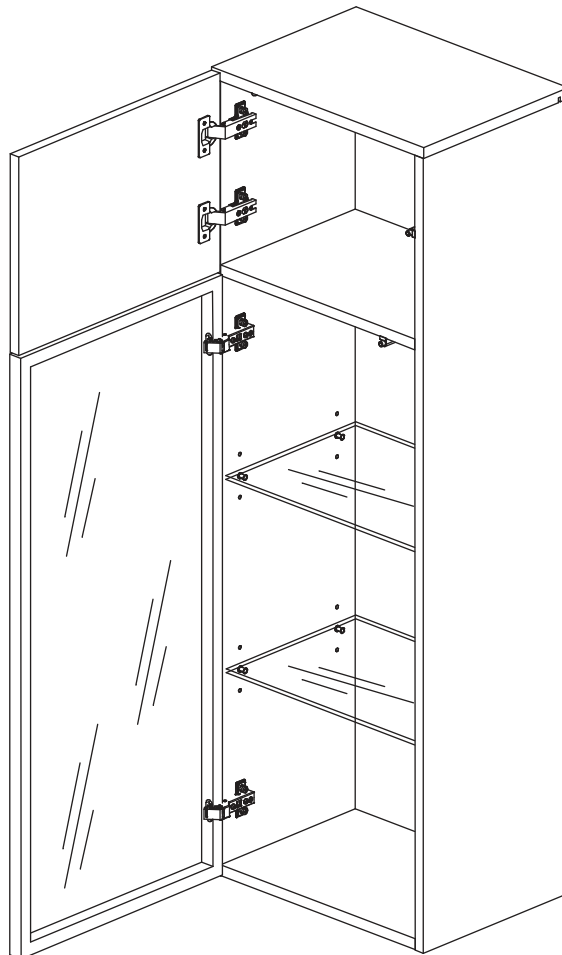
UP13		S1	
x3	UPØ3x16	x12	



10/13

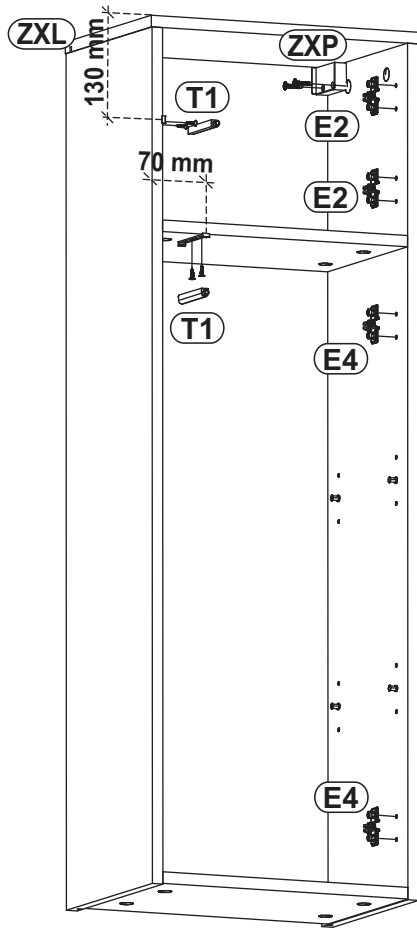
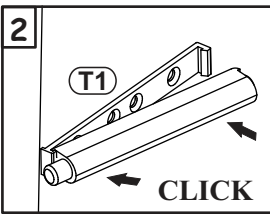
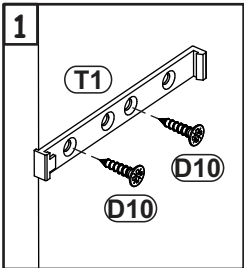
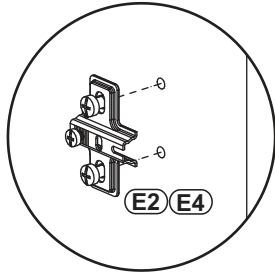




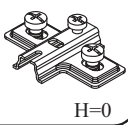
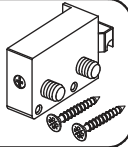
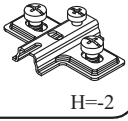
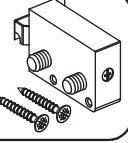
11/13

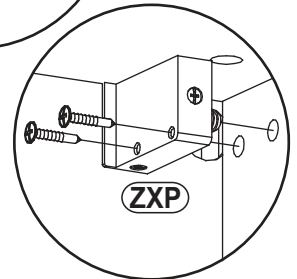
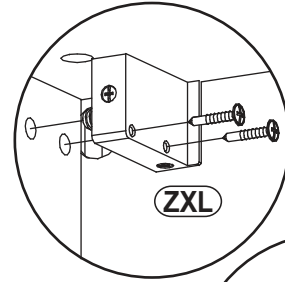


RISE - 10

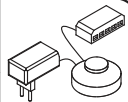

11

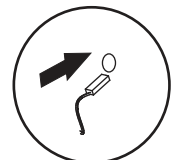
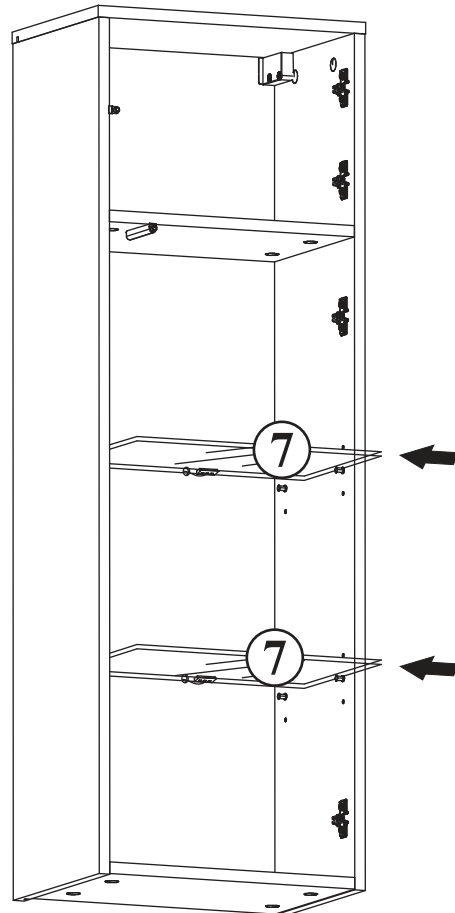
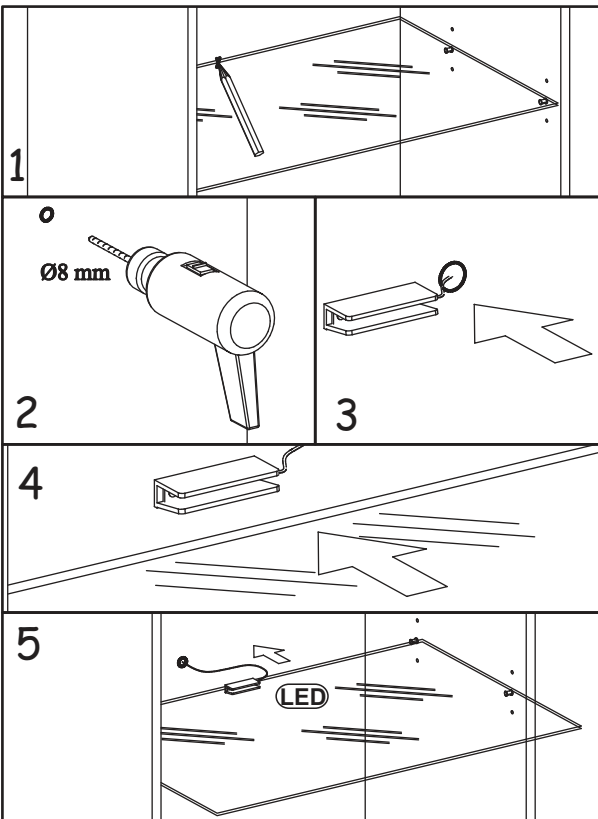


D10	 USØ3,5x13	T1	 x2
E2	 H=0	ZXP	 x1
E4	 H=-2	ZXL	 x1

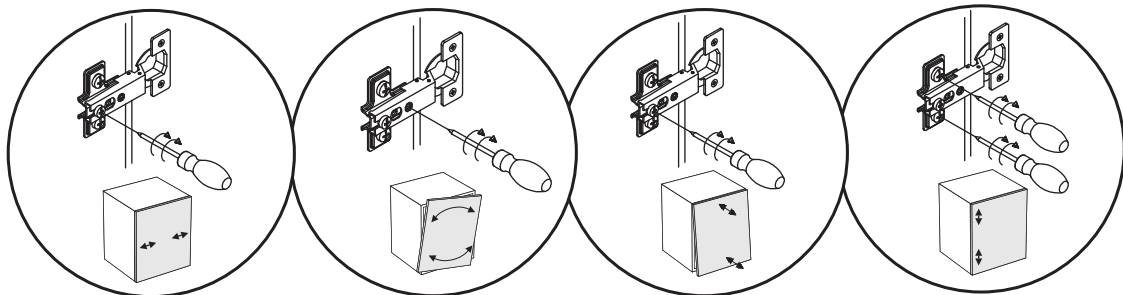
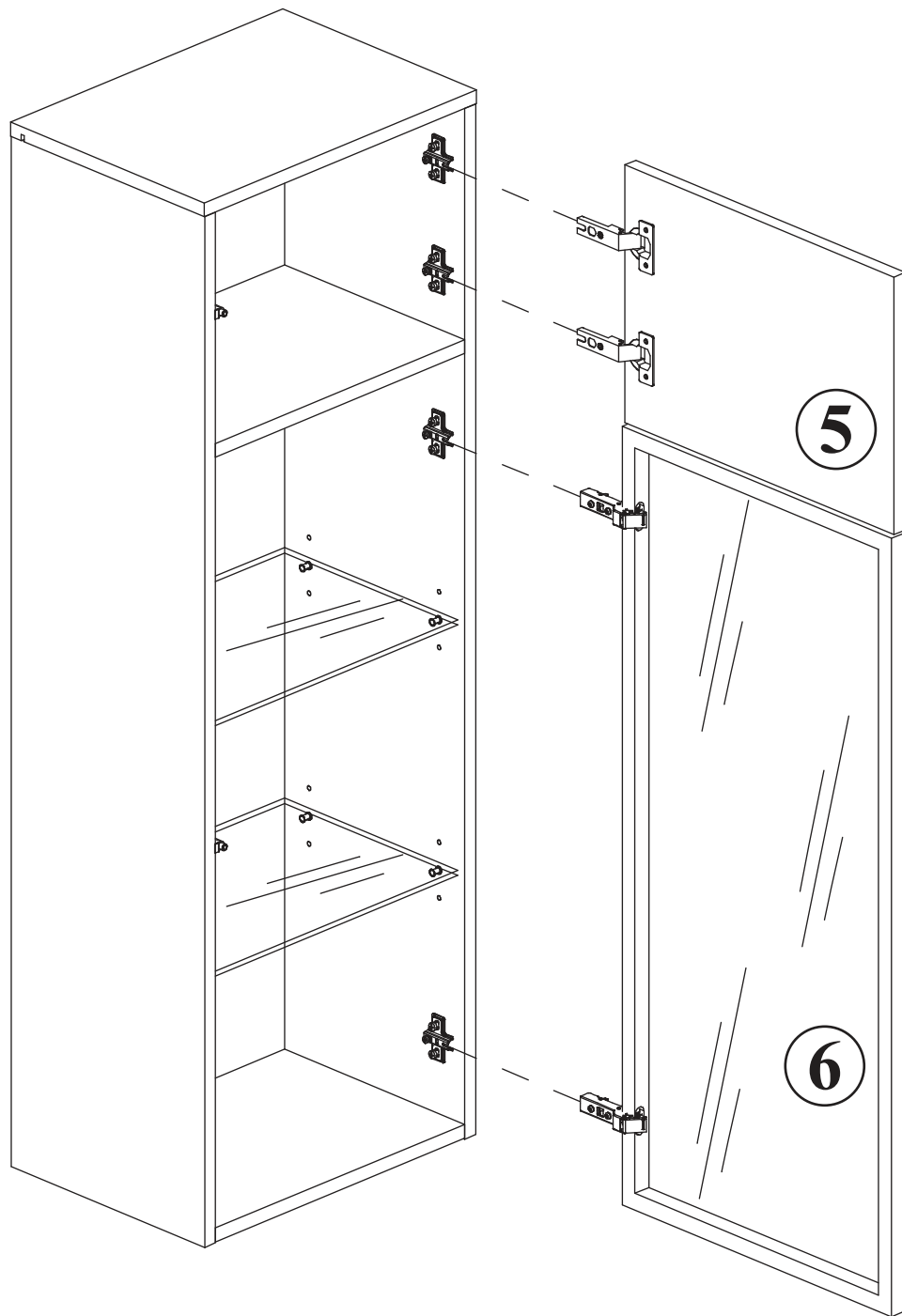


12

LED	
x1	 x2

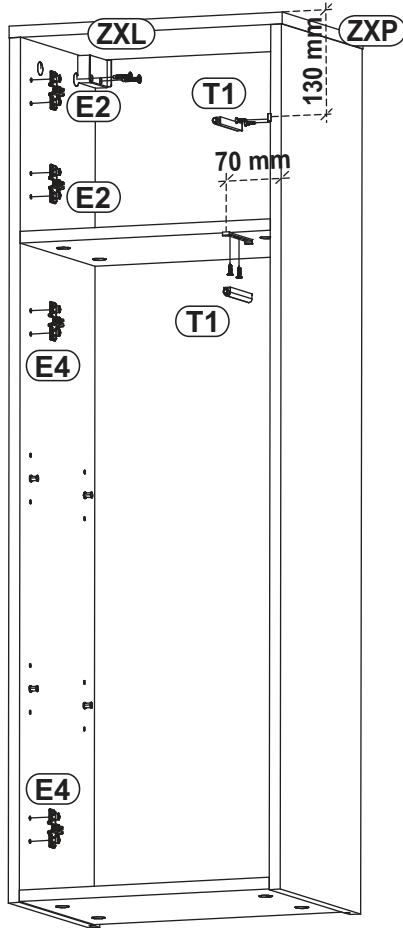
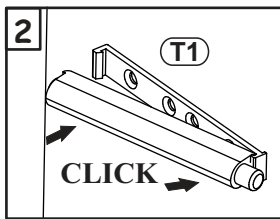
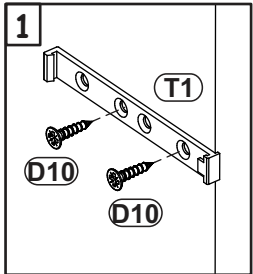
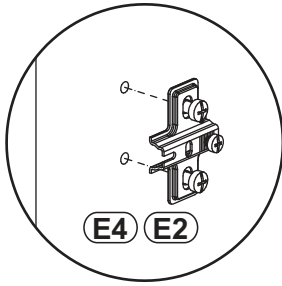


13

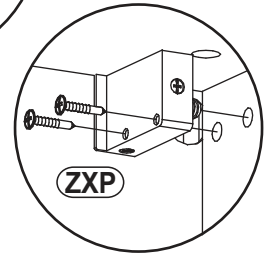
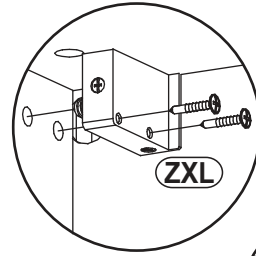


RISE - 10

14

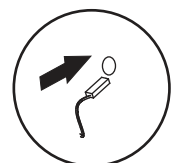
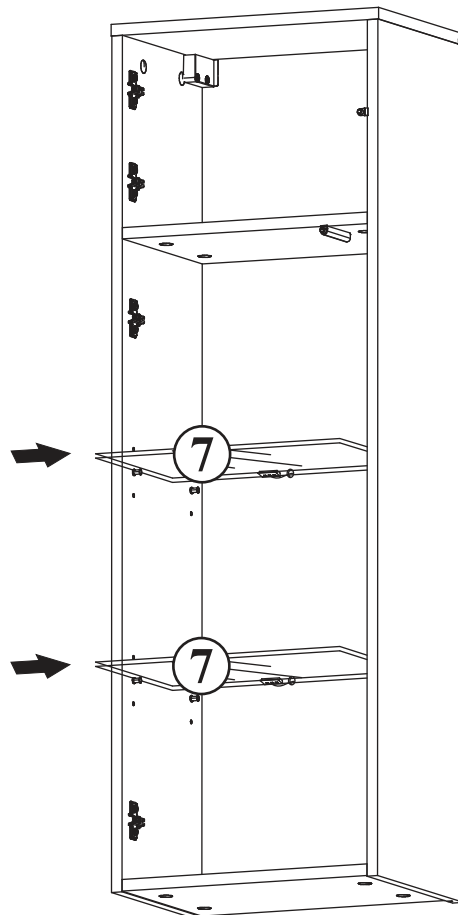
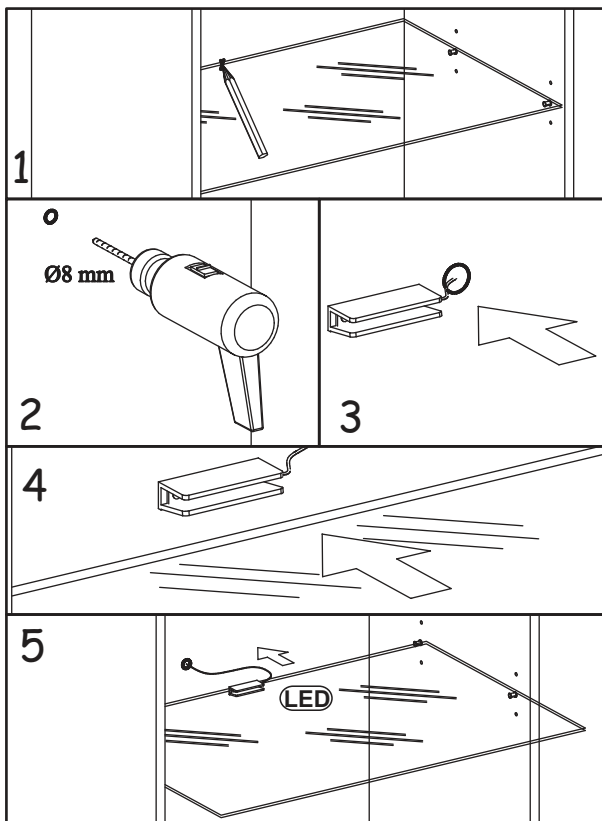


D10		T1	
x4	USØ3,5x13	x2	
E2		ZXP	
x2	H=0	x1	
E4		ZXL	
x2	H=-2	x1	

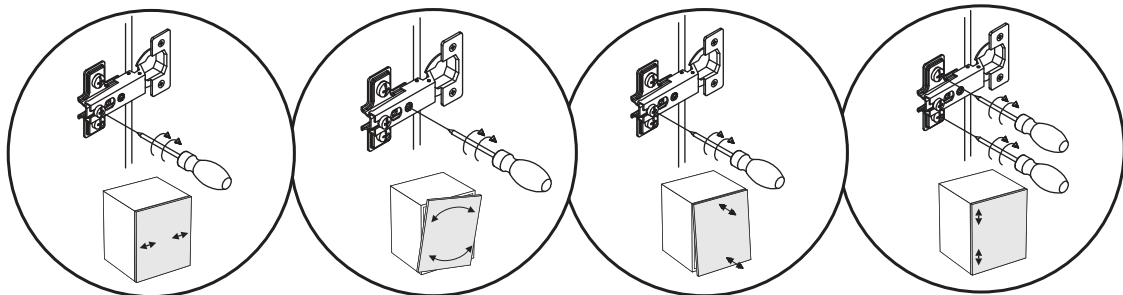
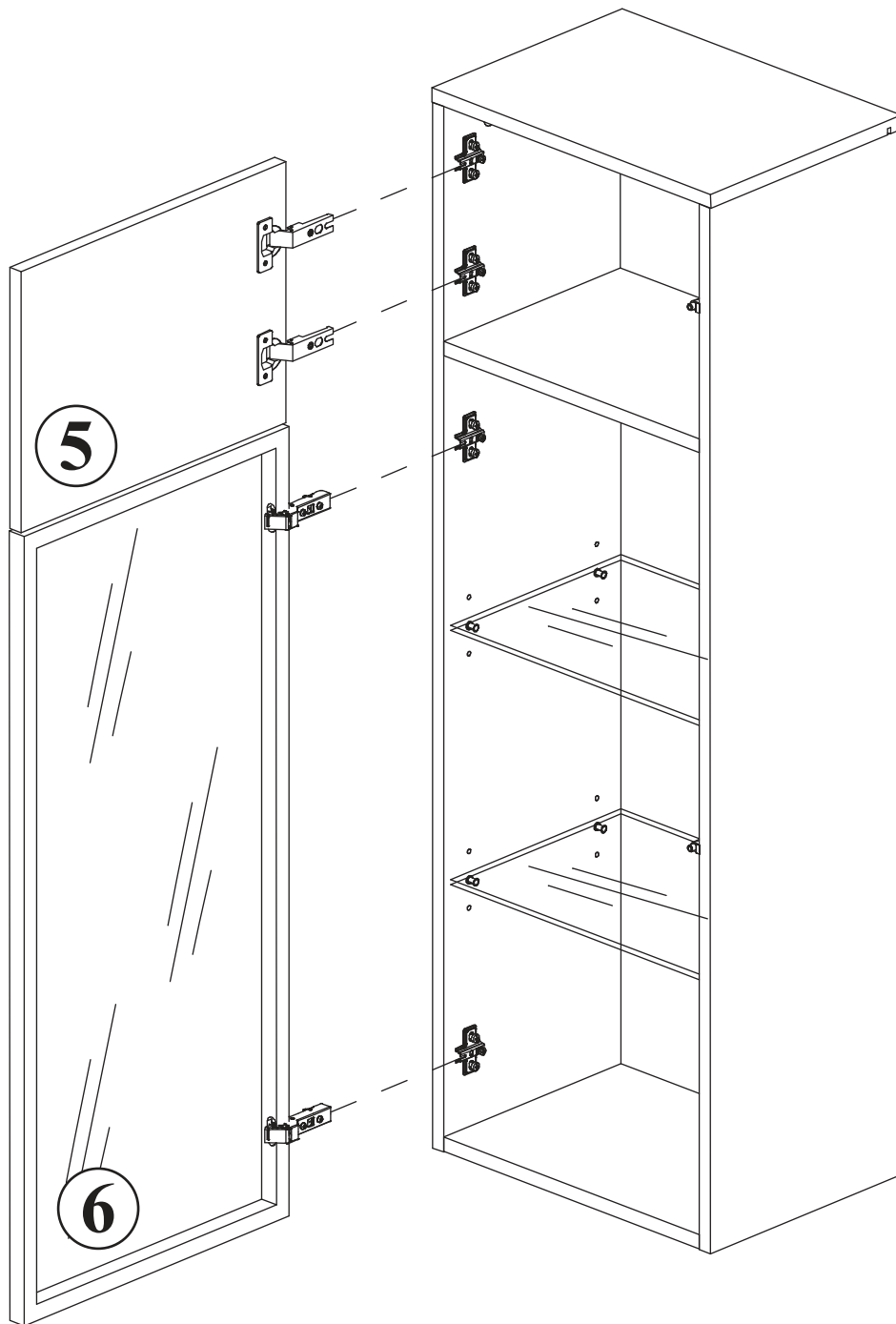


15

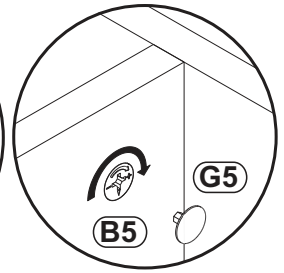
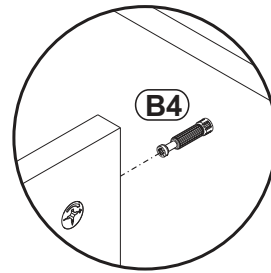
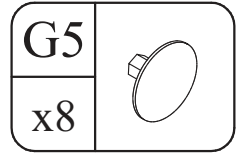
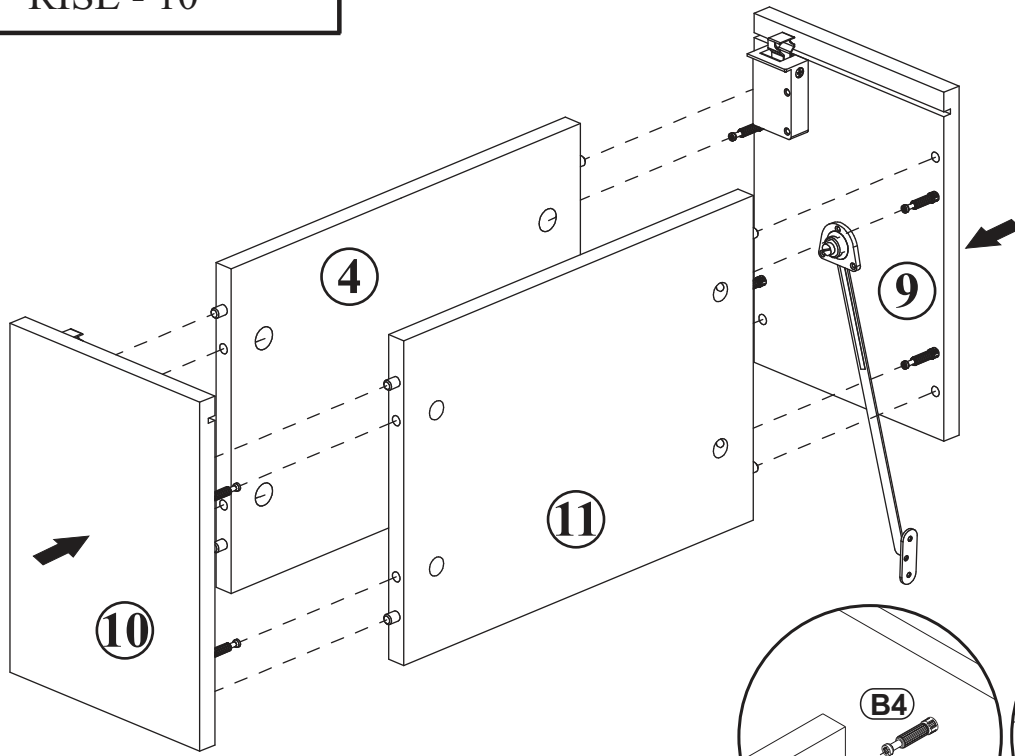
LED	
x1	x2



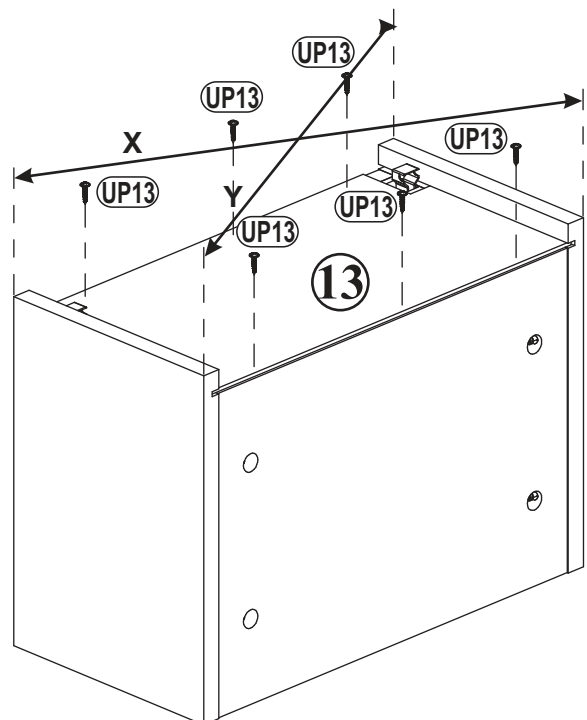
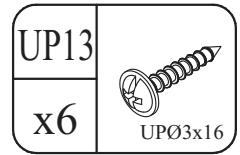
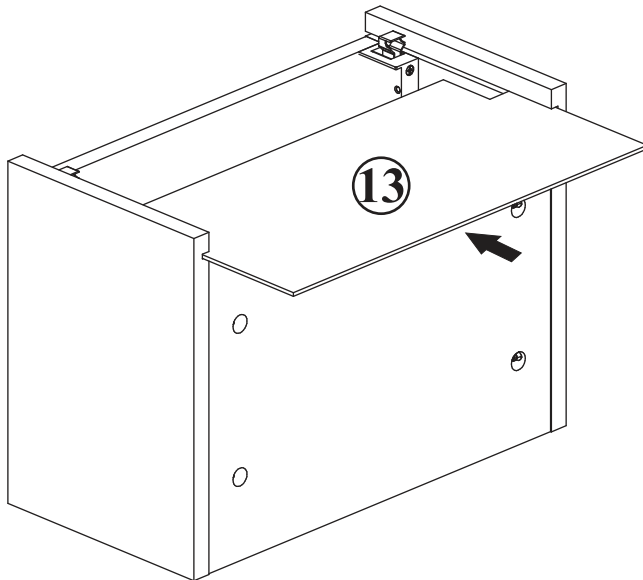
16



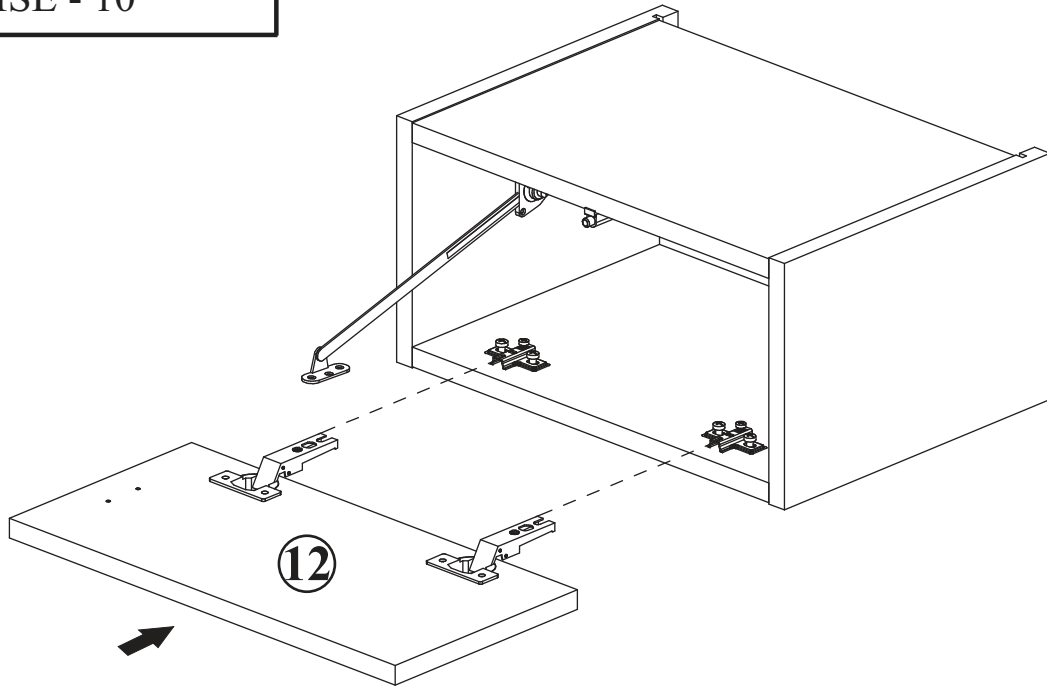
17



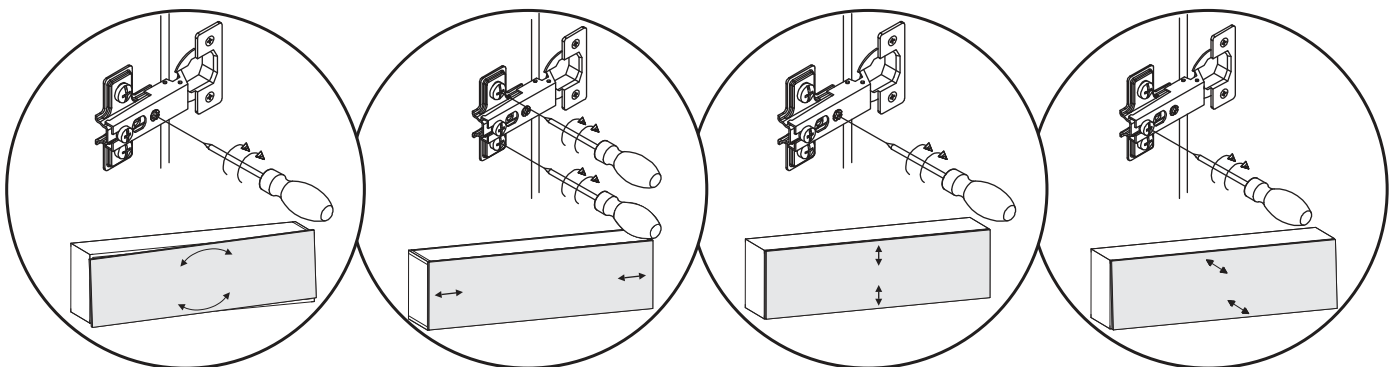
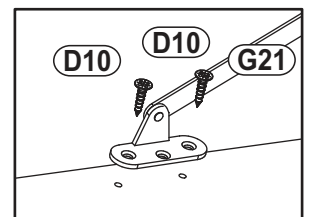
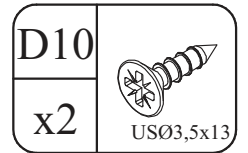
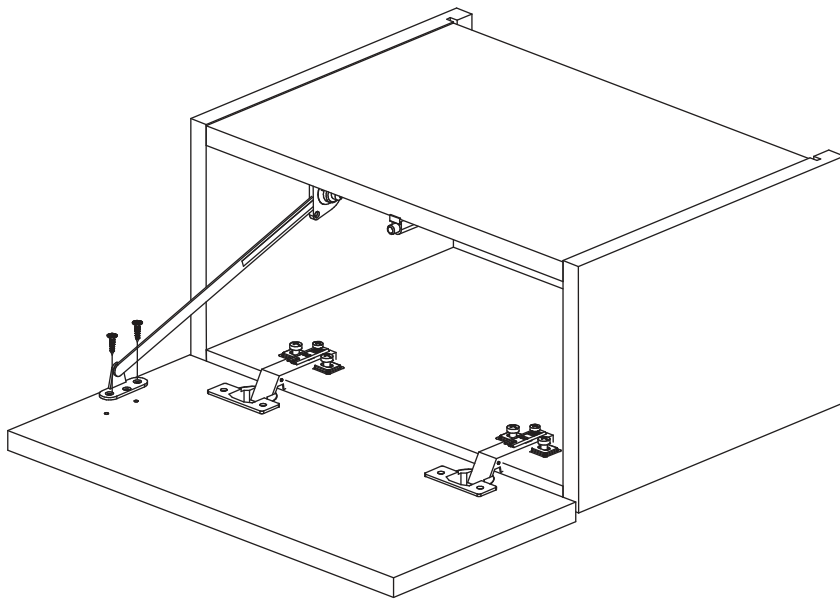
18



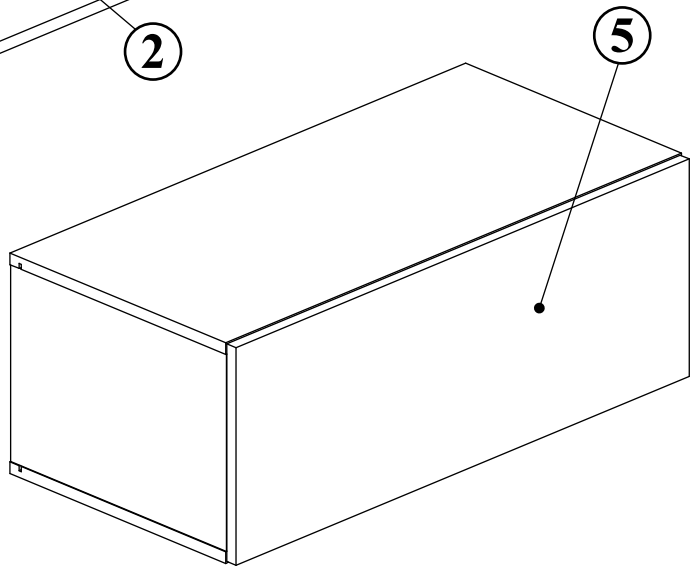
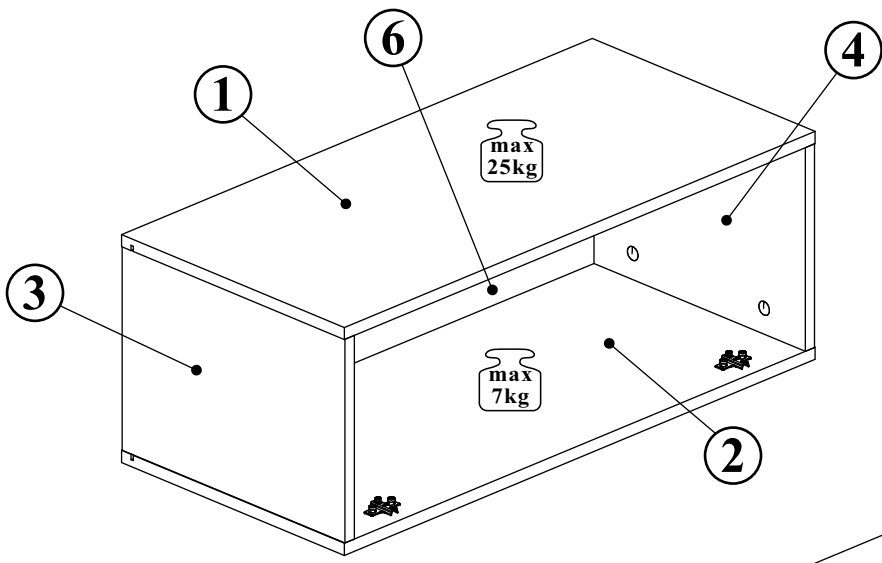
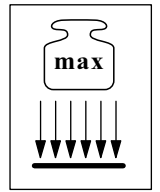
19



20



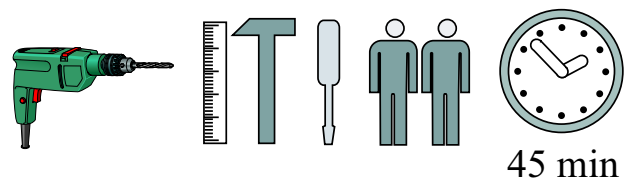
RISE - 30

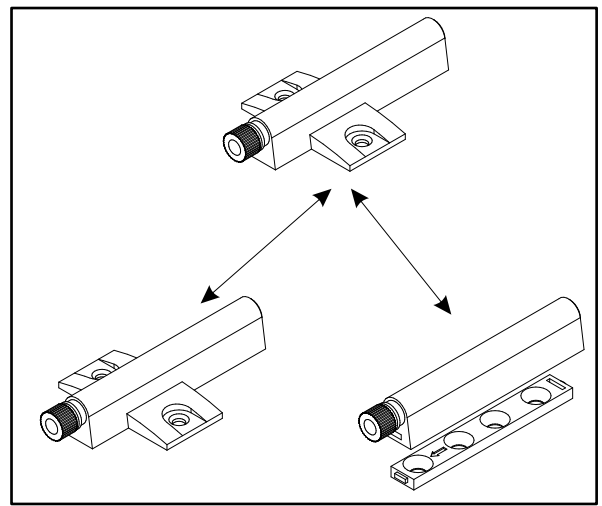
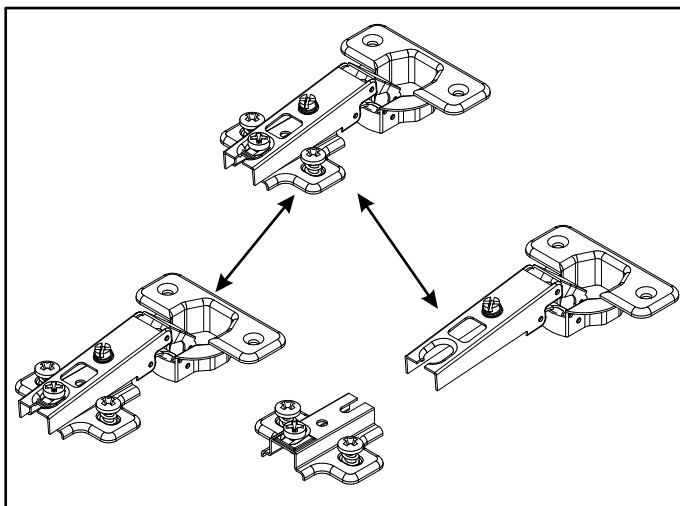
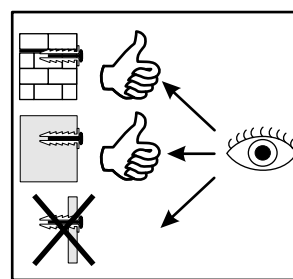
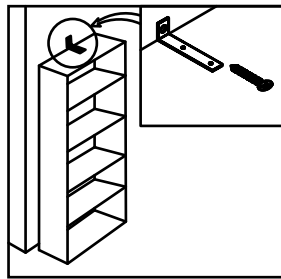
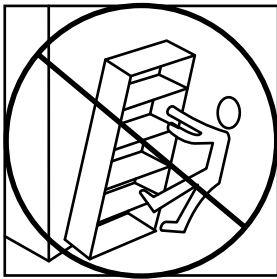
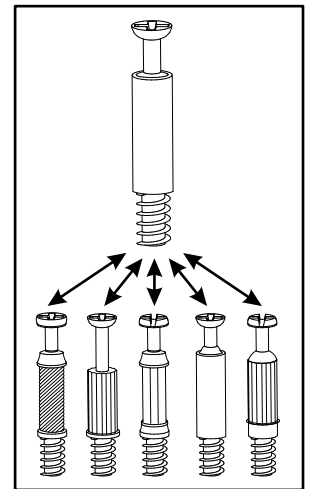
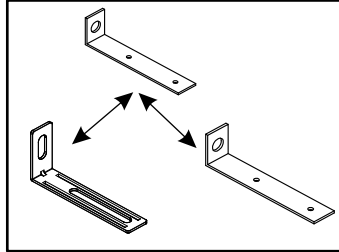
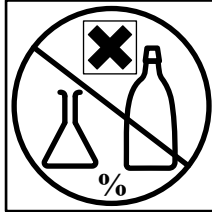
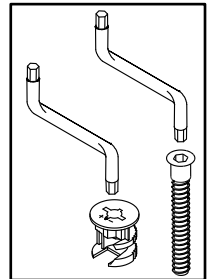
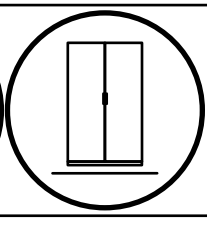
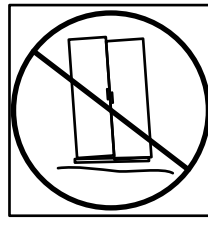
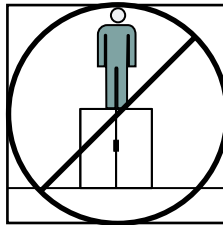
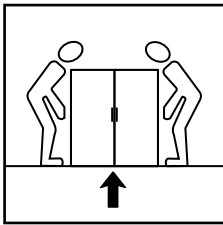
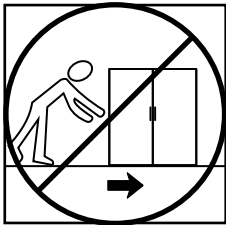
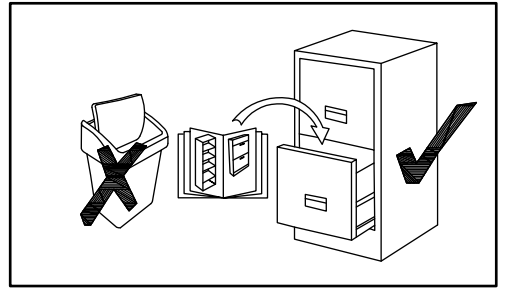
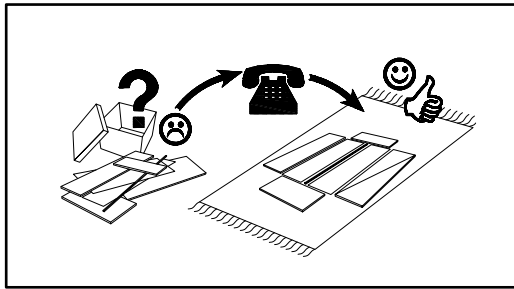
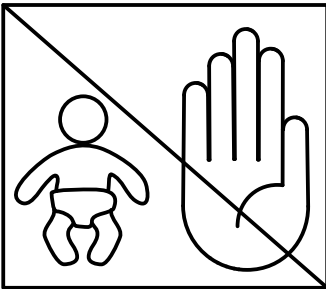
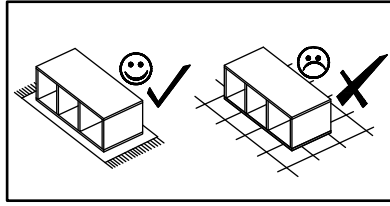
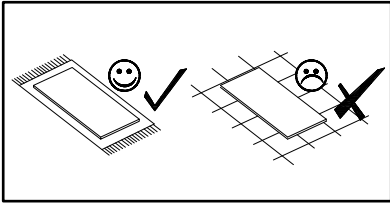


x3

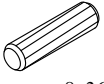
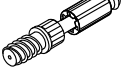


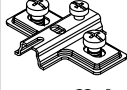
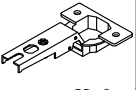

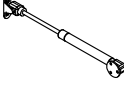
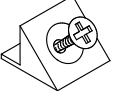
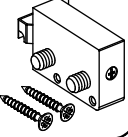
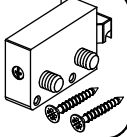

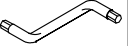
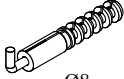

→ 802
 ↑ 302
 ↗ 396

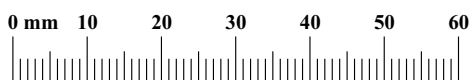
NO	Dim.		Col.-No	Qty	
1	802	380	16	2/3	3
2	802	380	16	2/3	3
3	270	380	16	2/3	3
4	270	380	16	2/3	3
5	798	298	16	1/3	3
6	780	282	3	1/3	3





RISE - 30

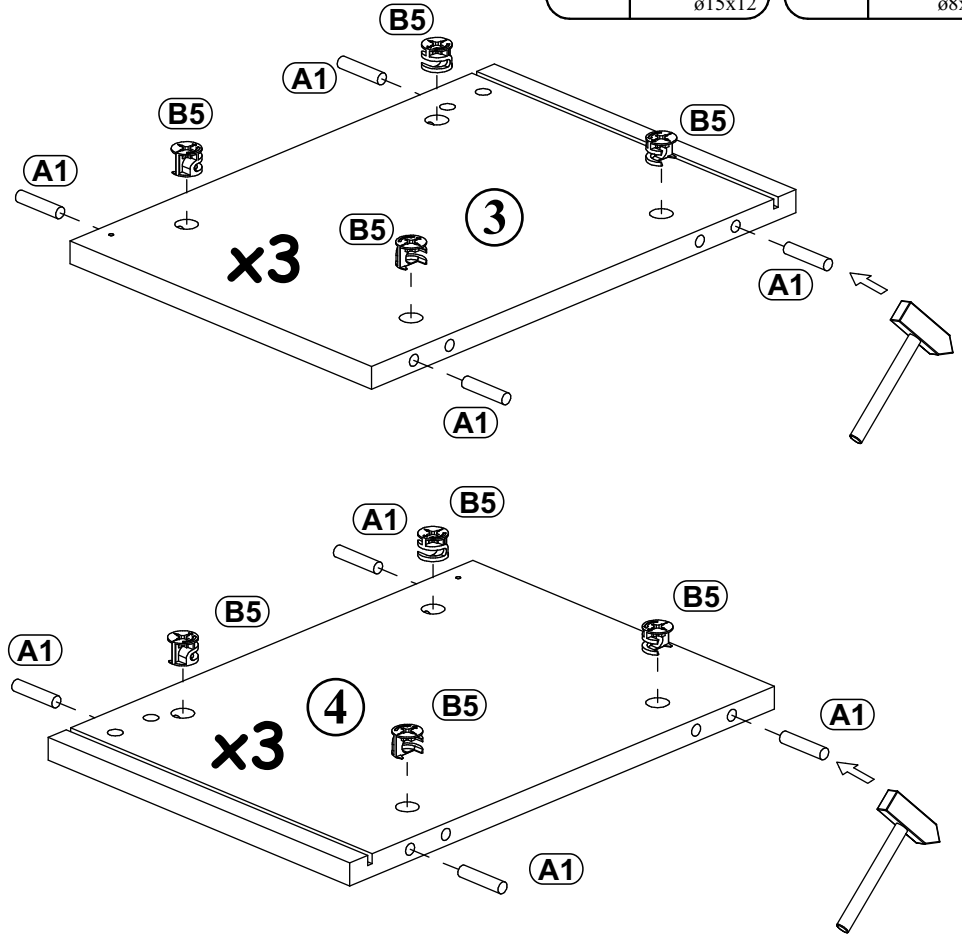
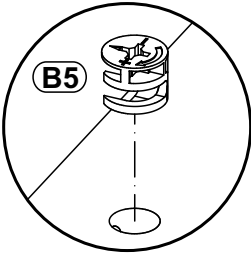
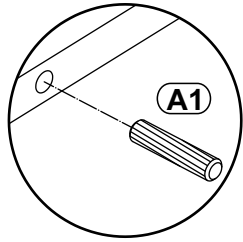
A1 x24  ø8x36	B4 x24 	B5 x24  ø15x12	G5 x24 	E2 x6  H=0	E21 x6  Ø35 H=0
T1 x3 	BO1 x3 	S1 x30 	ZXL x3 	ZXP x3 	D10 x18  USØ3,5x13
G2 x1 	KR2 x6  Ø8	UP13 x8  UPØ3x16			



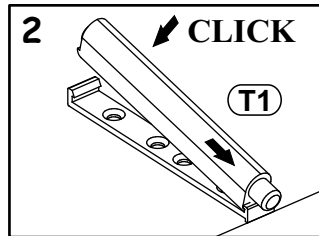
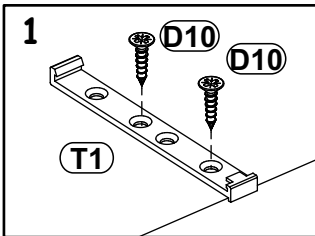
RISE - 30

1

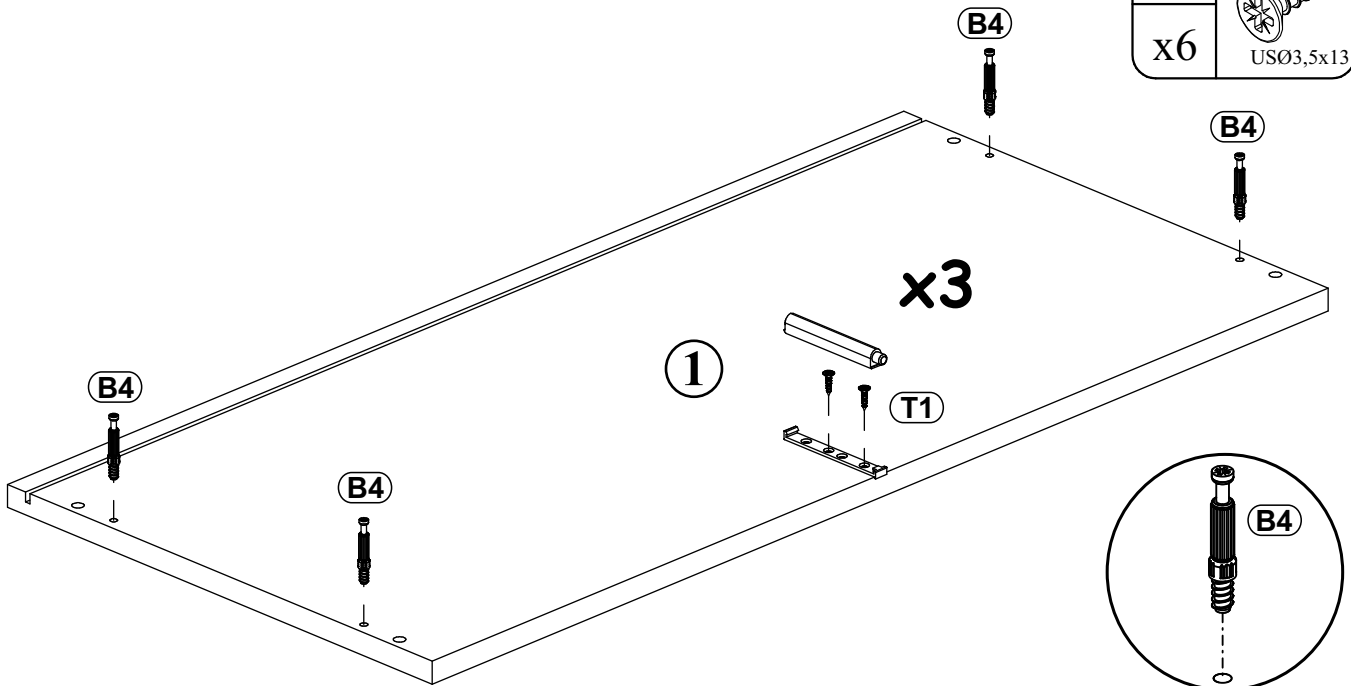
B5		A1	
x24	ø15x12	x24	ø8x36



2

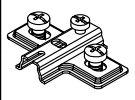
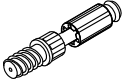


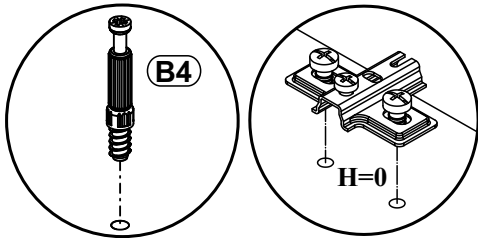
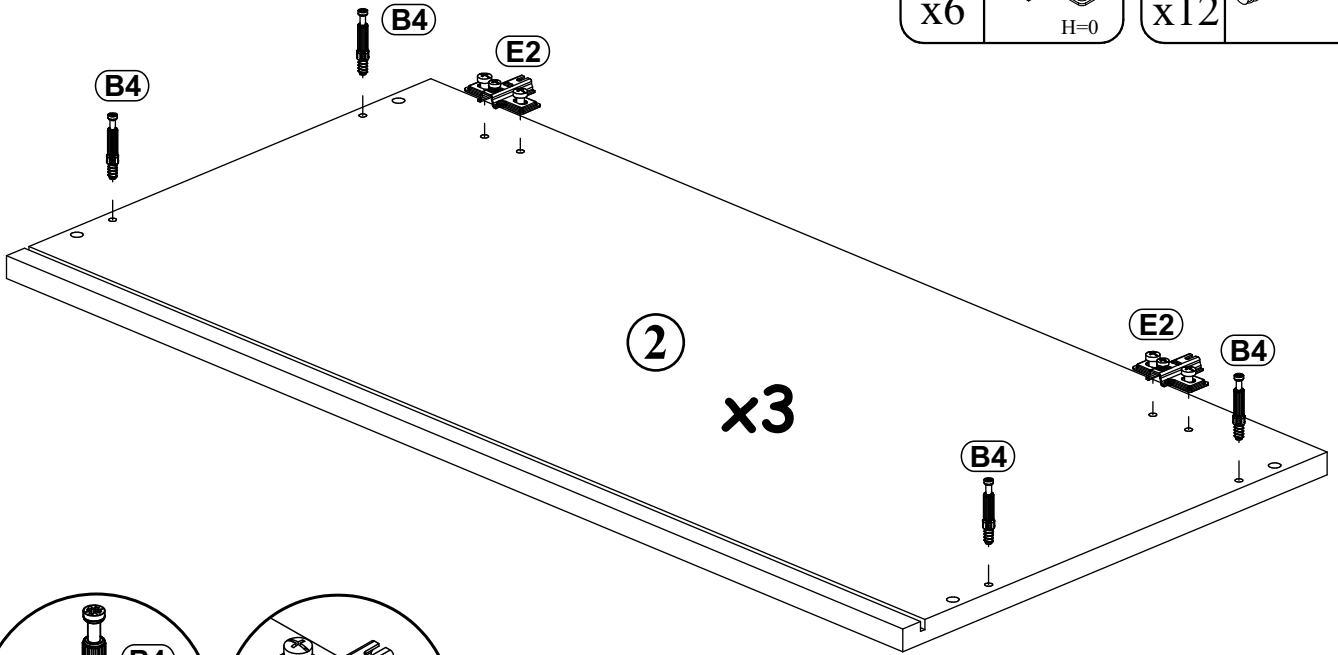
B4		T1	
x12		x3	
D10			
x6	USØ3,5x13		



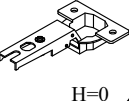
RISE - 30

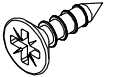
3

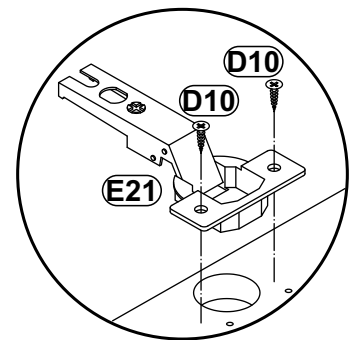
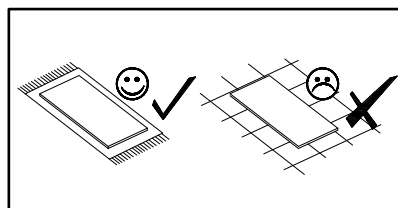
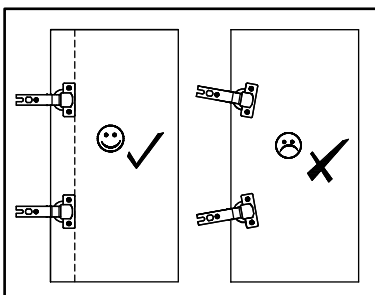
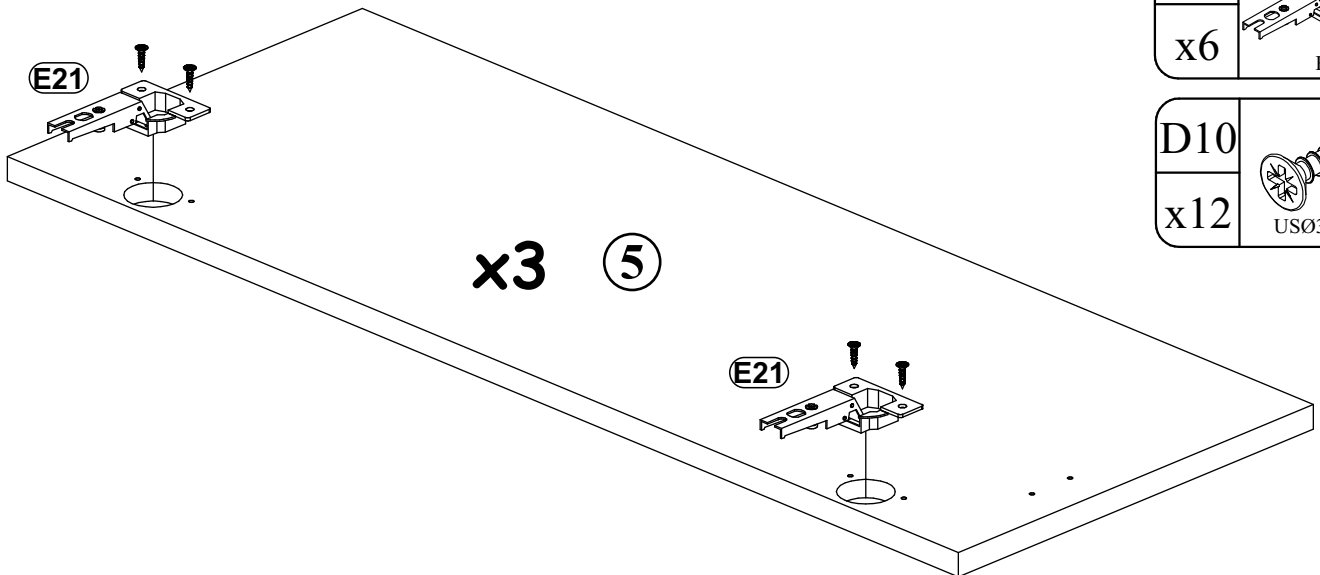
E2		B4	
x6	H=0	x12	



4

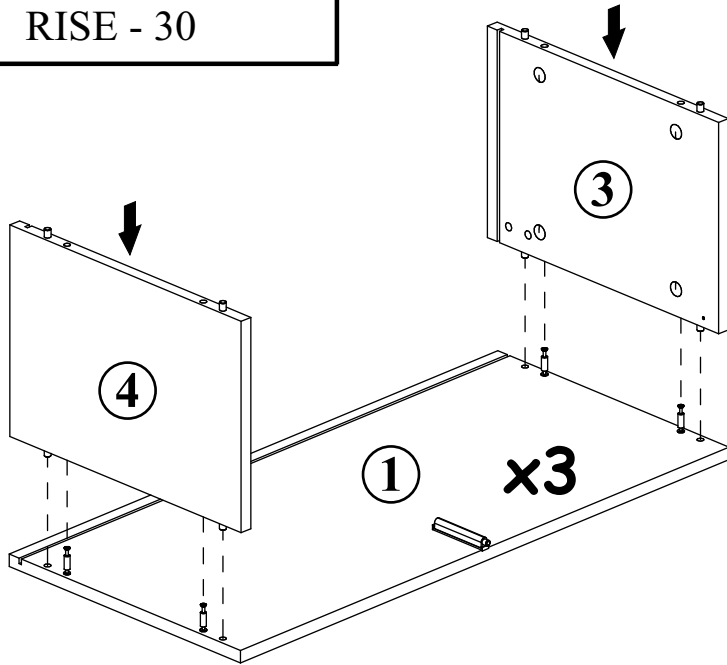
E21		Ø35
x6	H=0	


D10	
x12	USØ3,5x13

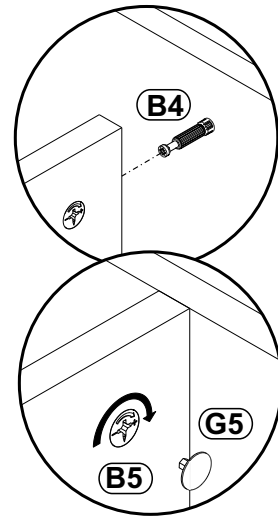


RISE - 30

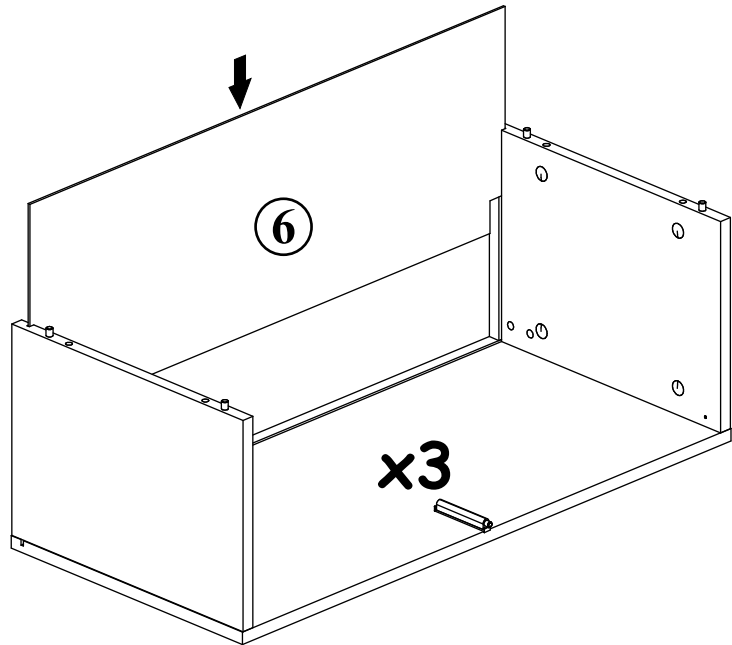
5



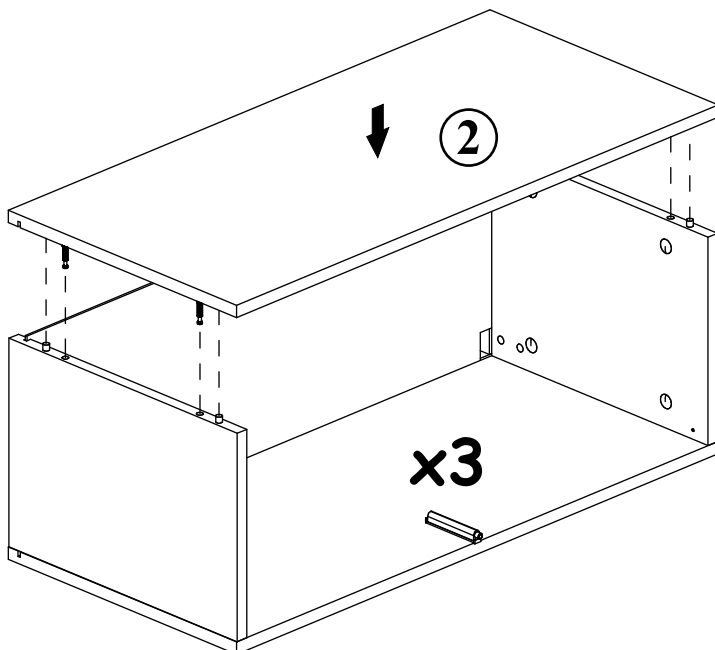
G5	
x12	




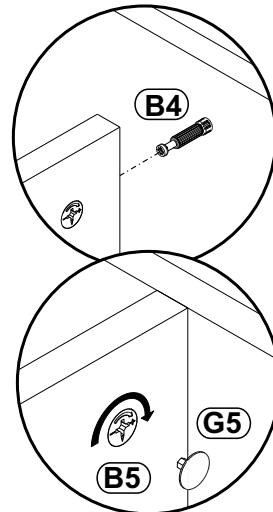
6



7

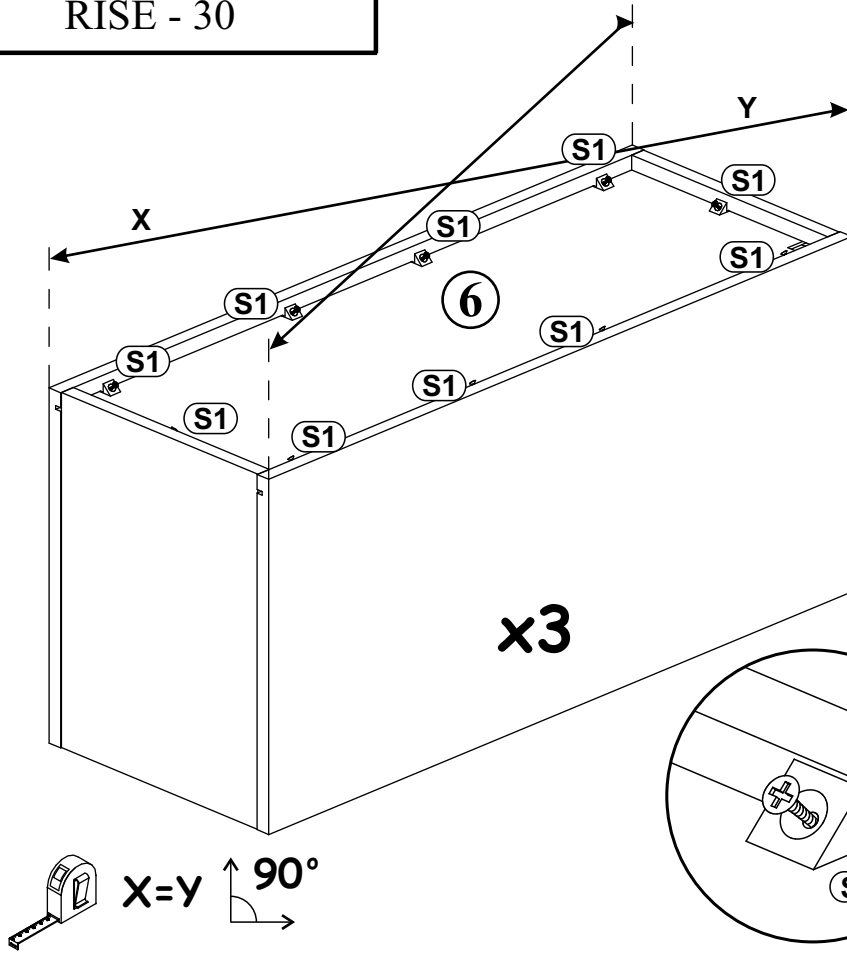


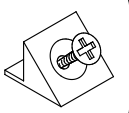
G5	
x12	

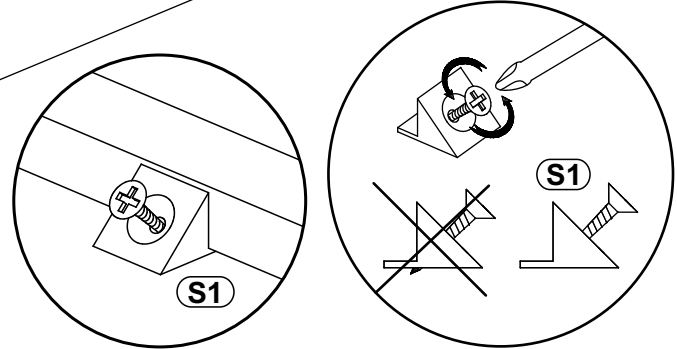


RISE - 30

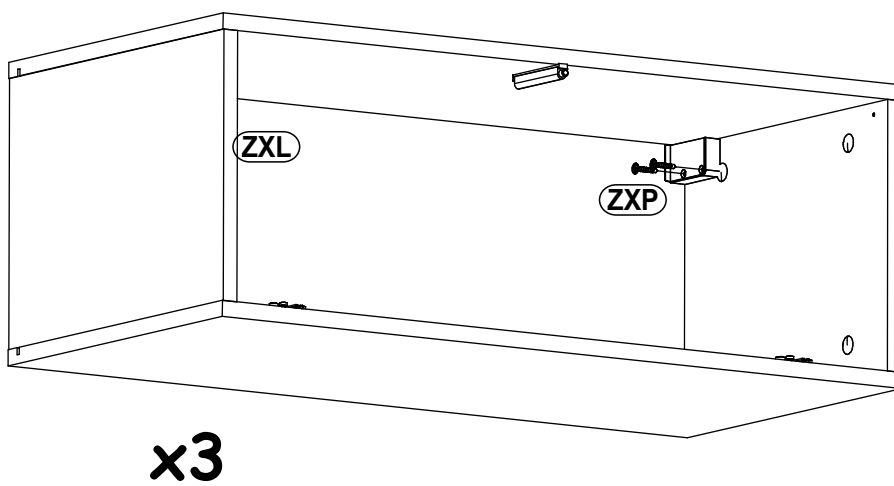
8

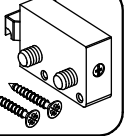


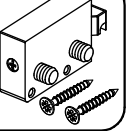
S1	
x30	

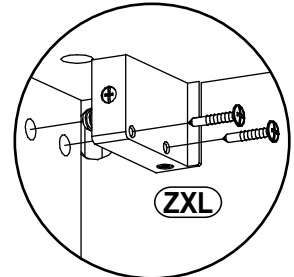
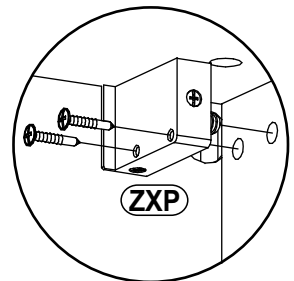


9



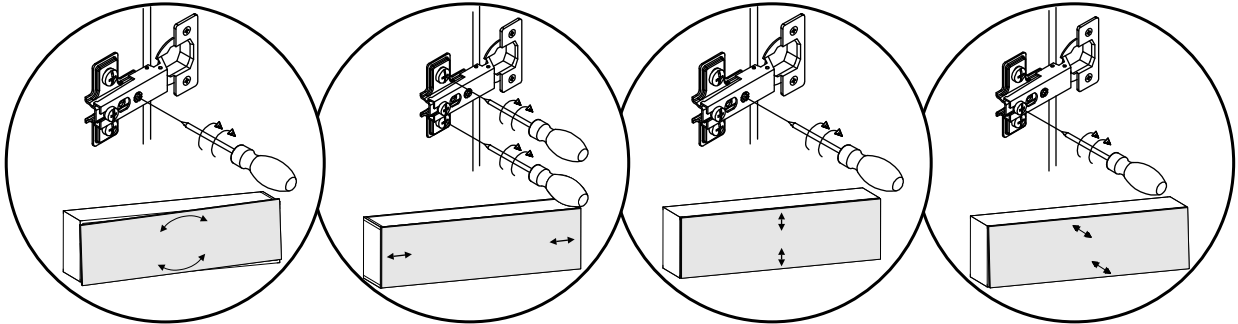
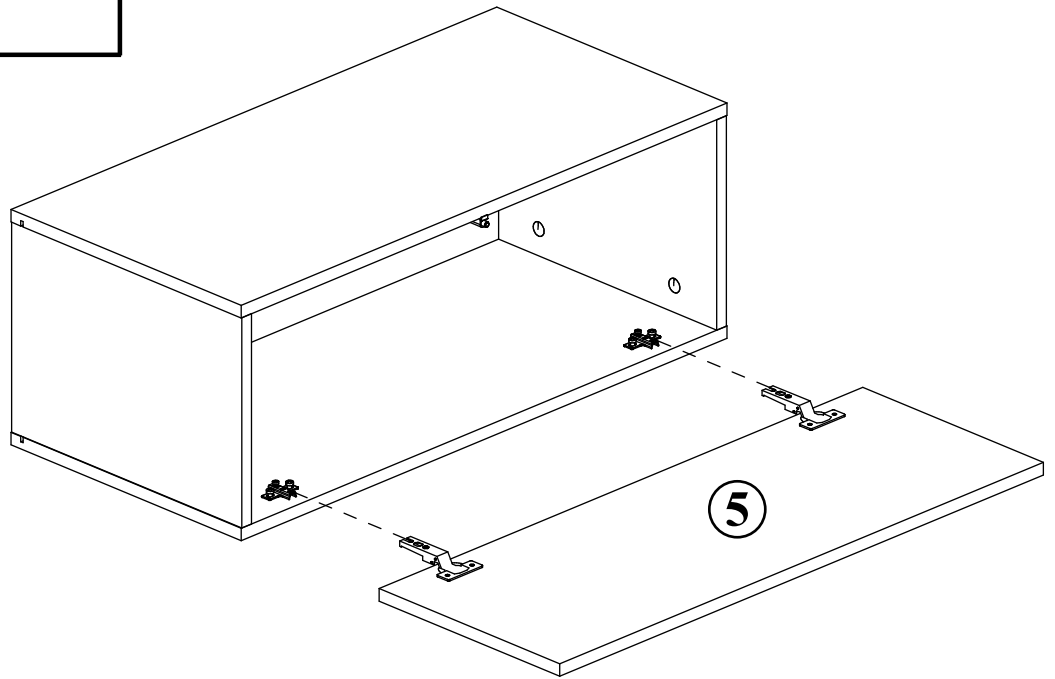
ZXL	
x3	

ZXP	
x3	



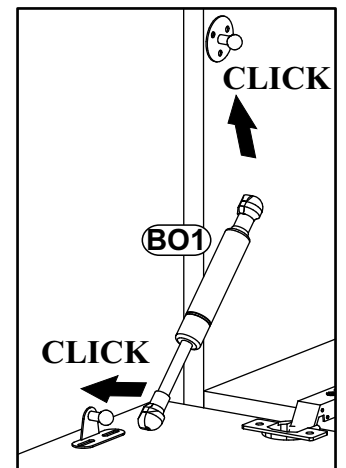
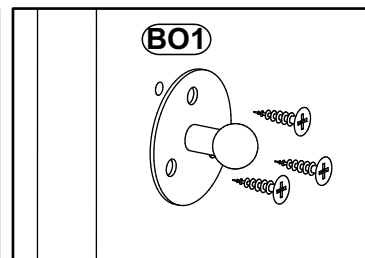
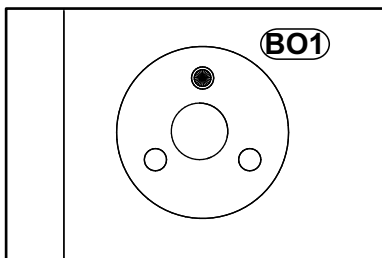
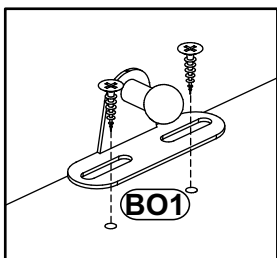
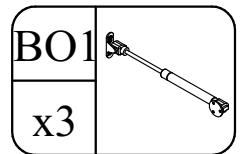
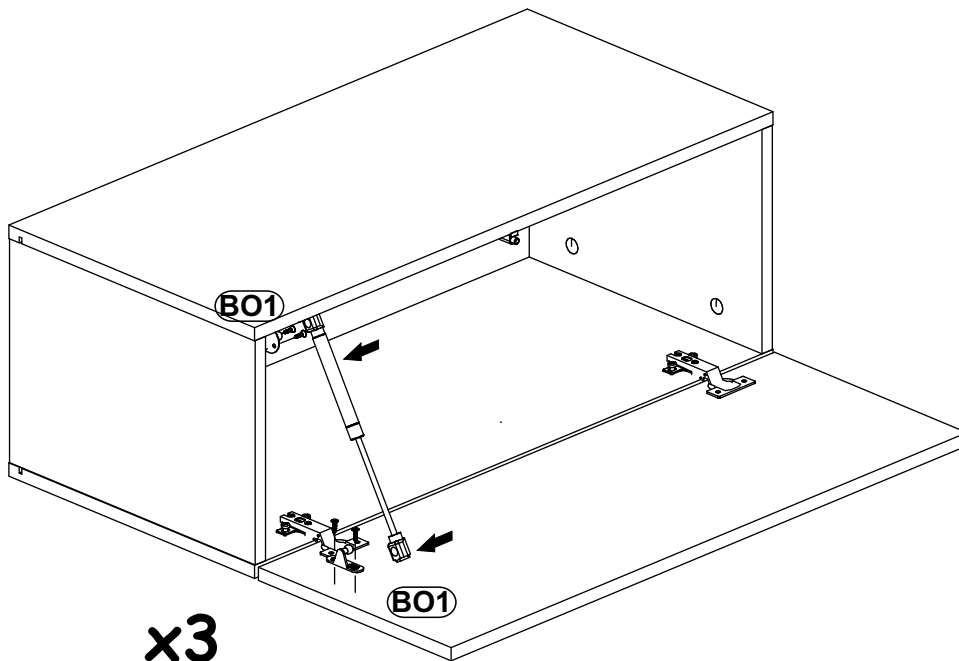
10

x3

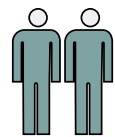
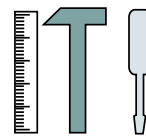
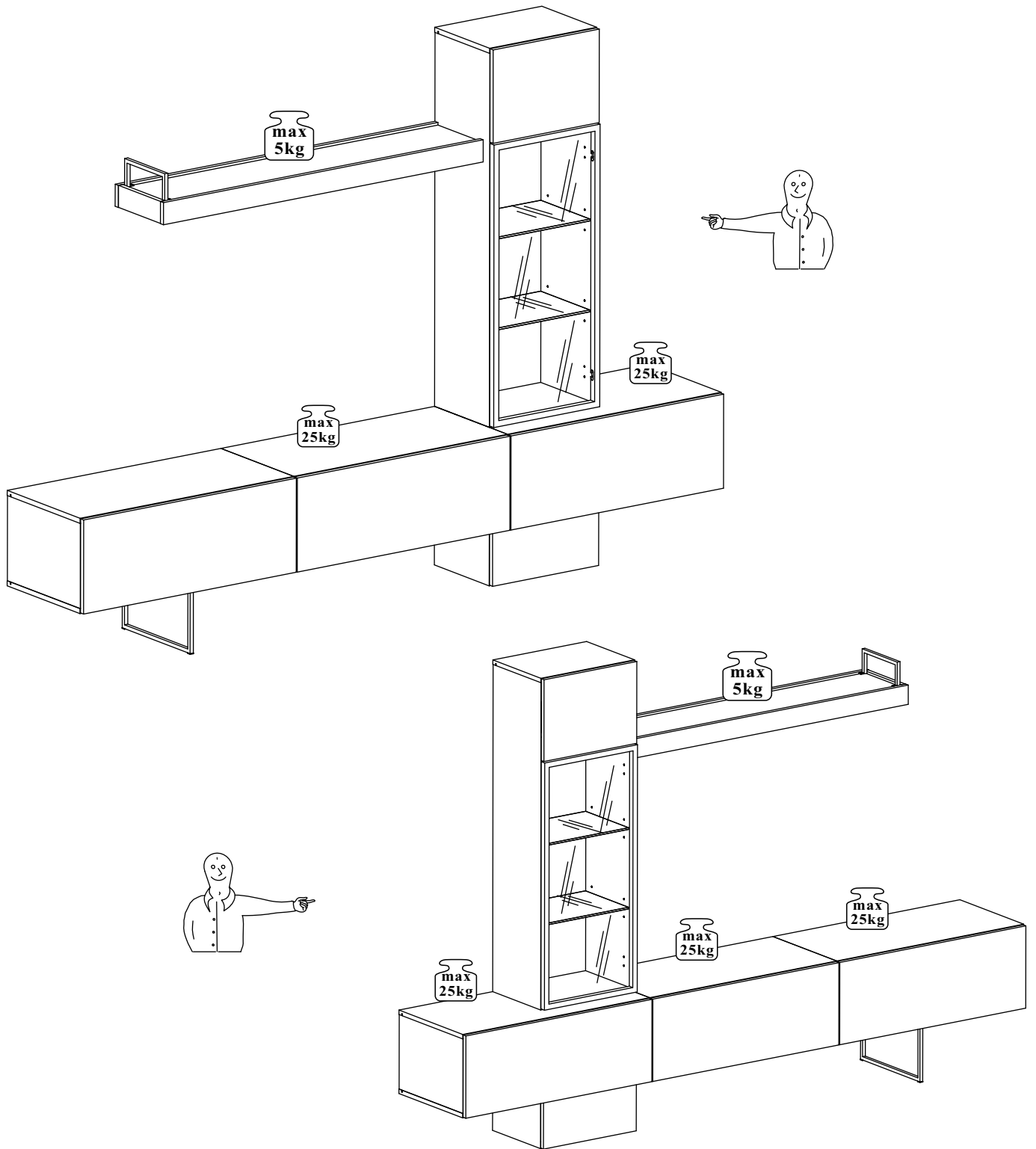


11

x3

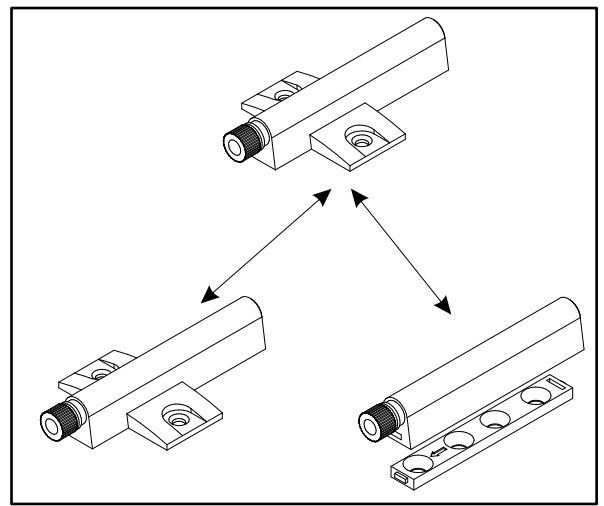
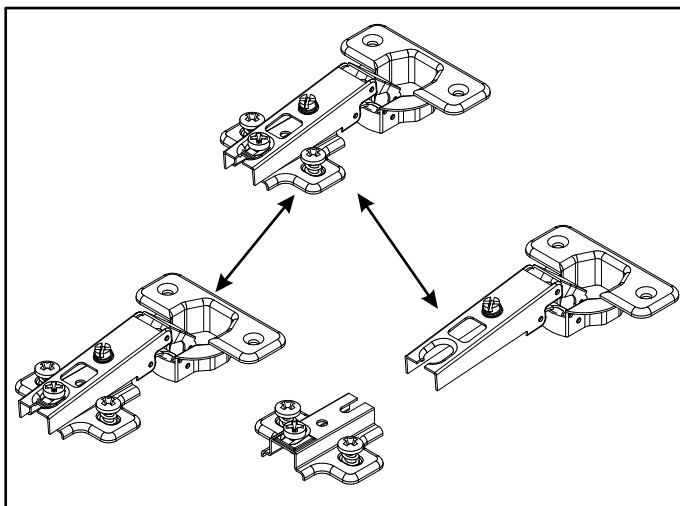
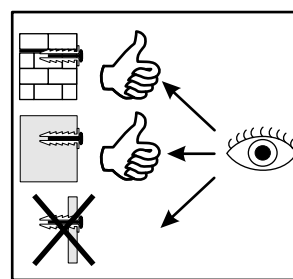
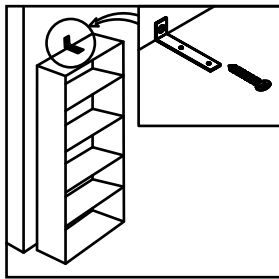
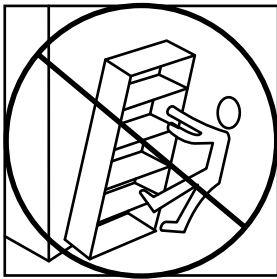
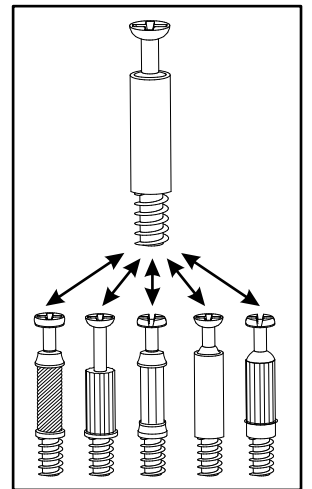
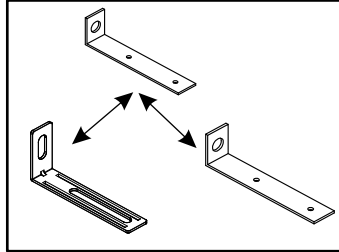
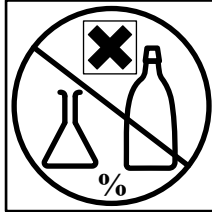
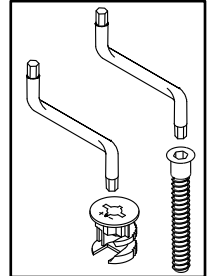
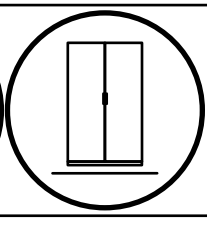
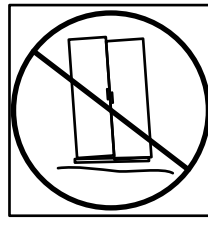
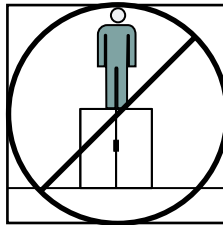
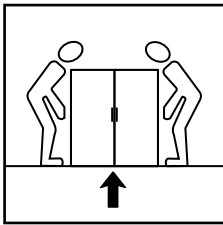
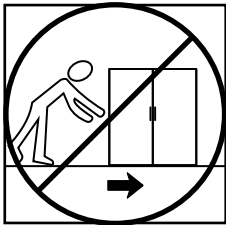
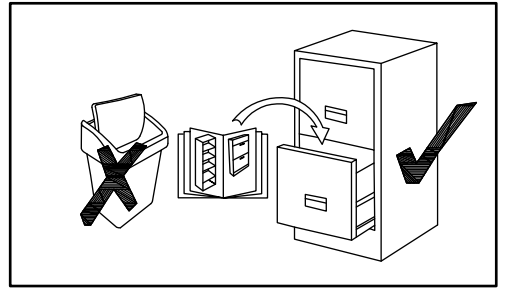
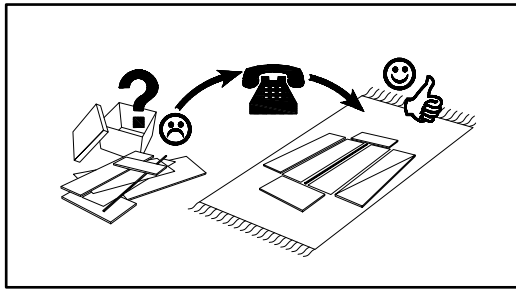
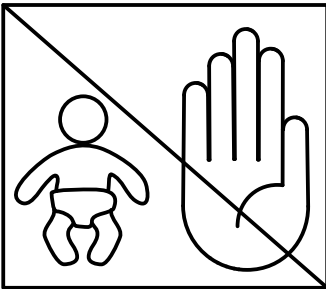
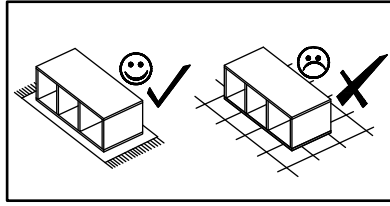
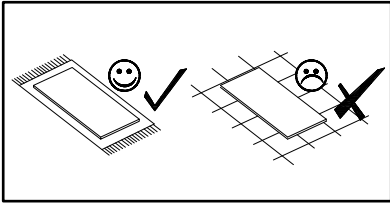


RISE



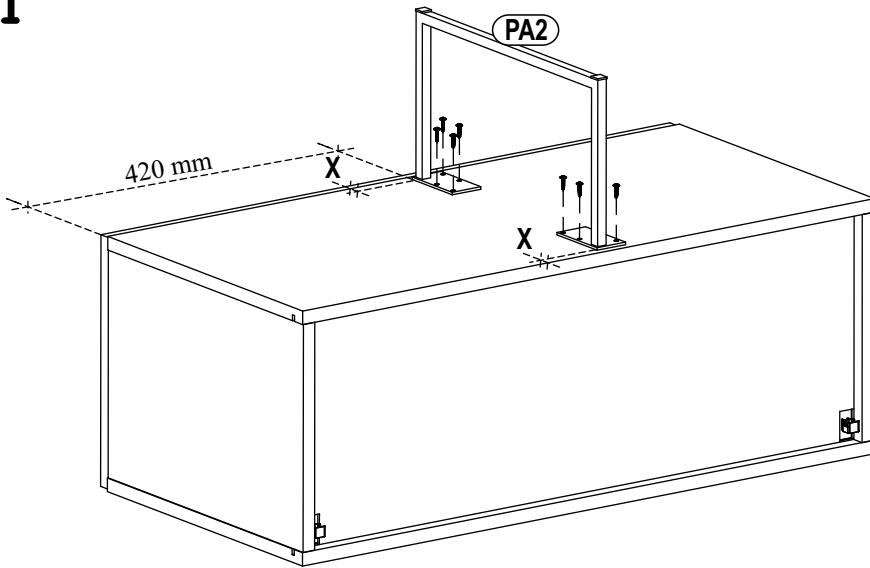
45 min


RISE

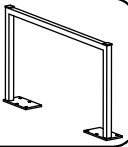


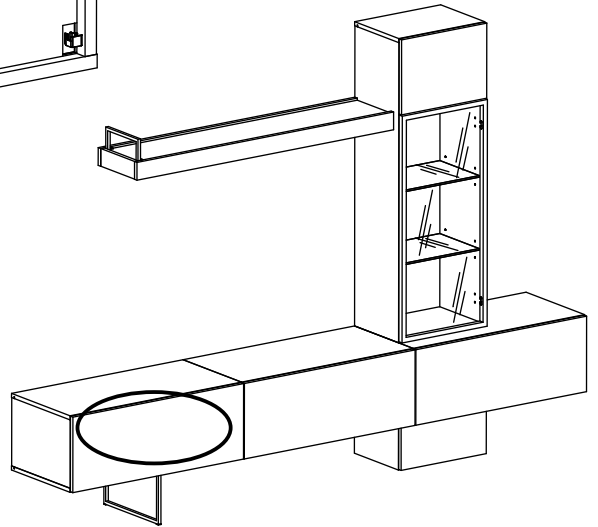
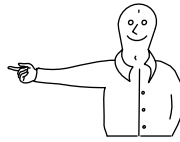
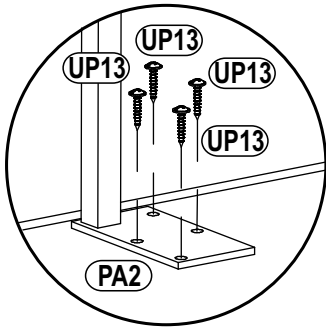
RISE

1

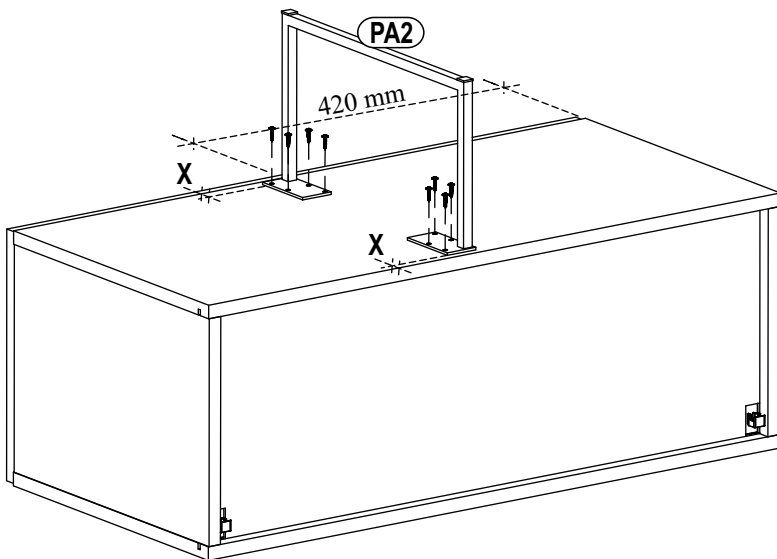



UP13	 UPØ3x16
x8	

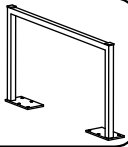
PA2	
x1	

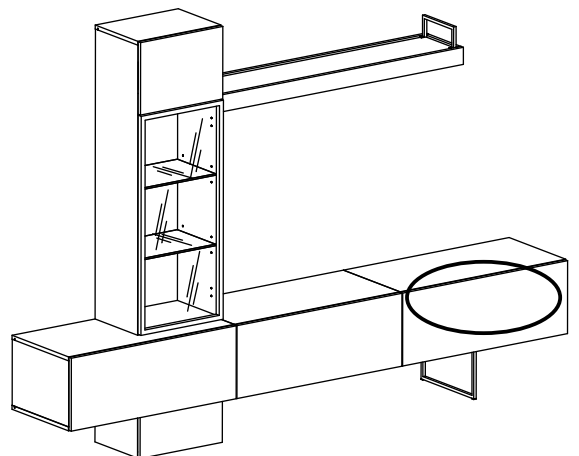
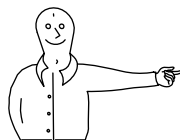
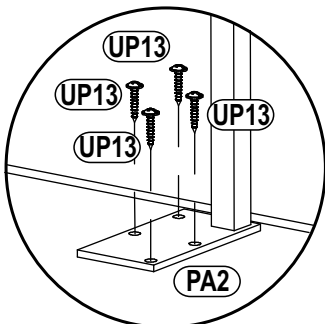


2



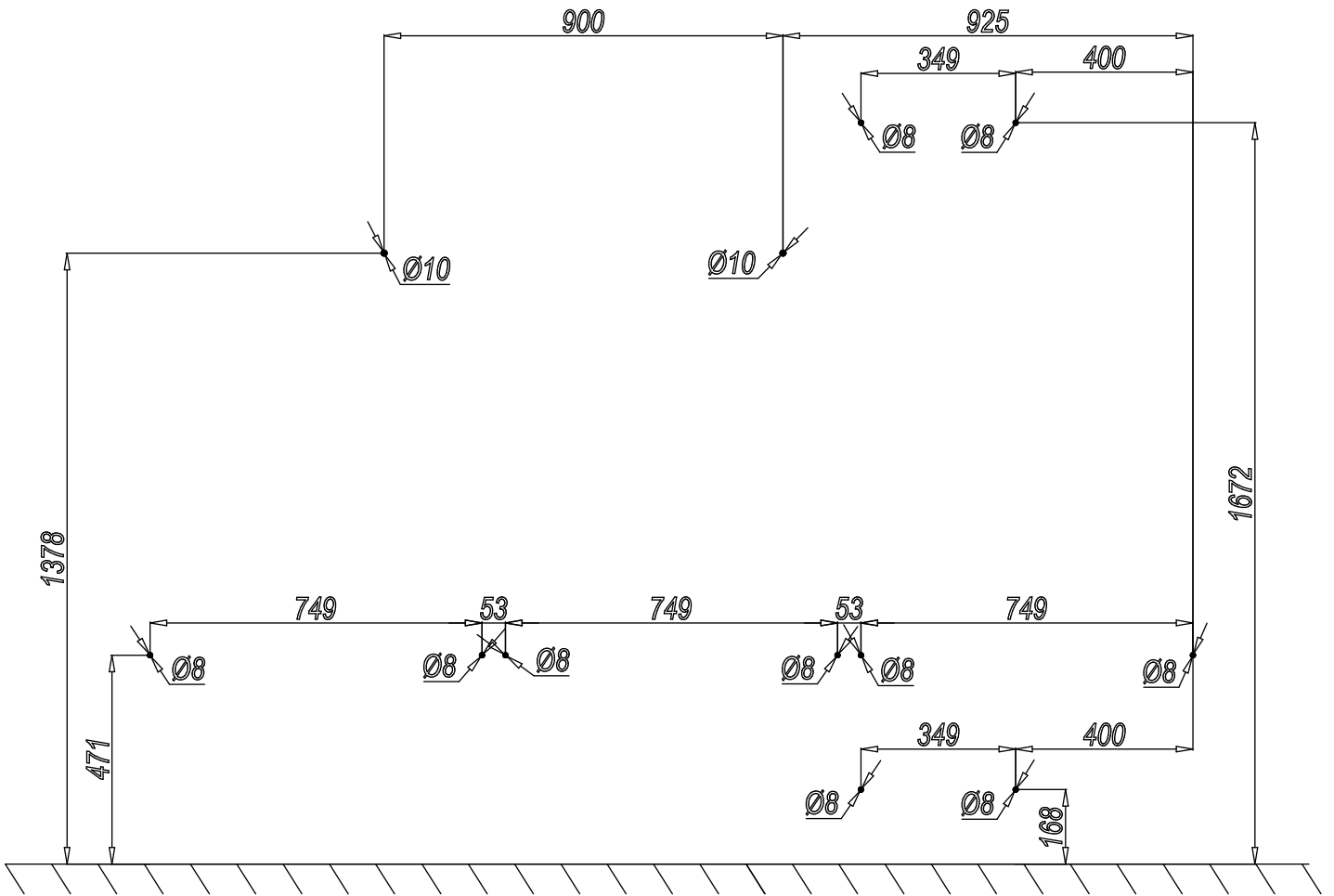
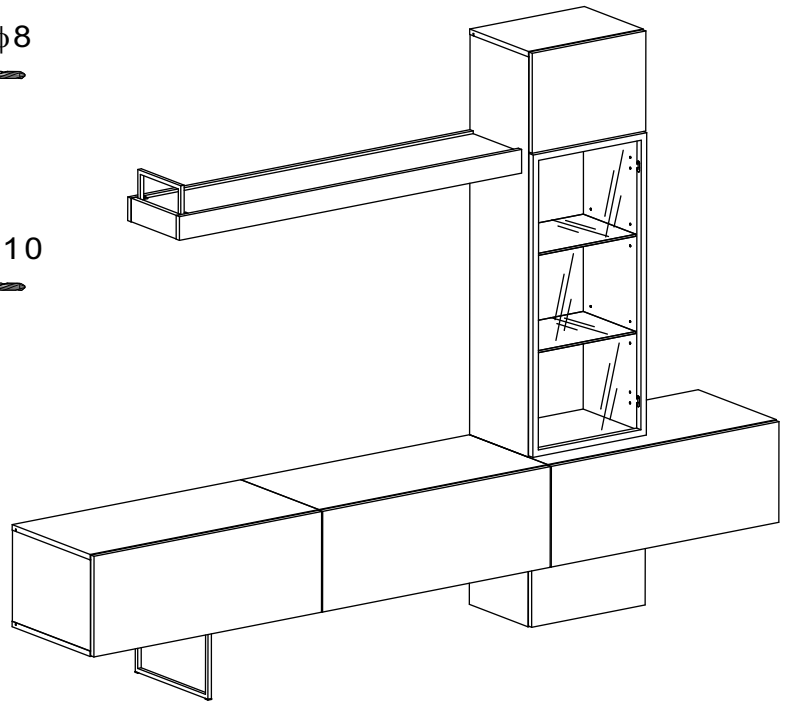
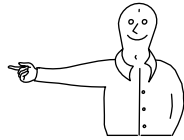
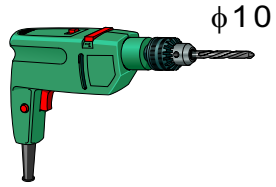
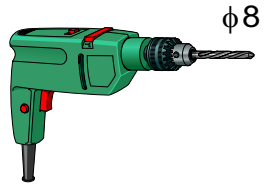
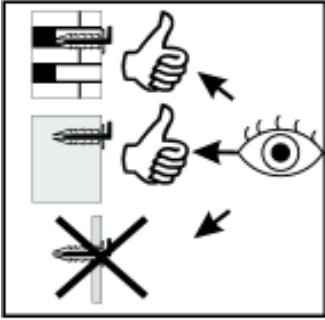
UP13	 UPØ3x16
x8	

PA2	
x1	




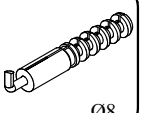
RISE

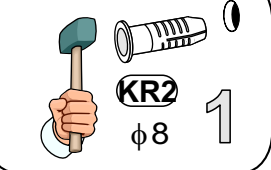
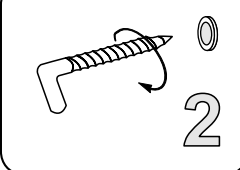
3



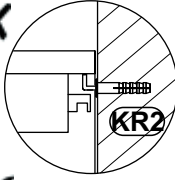
RISE

4

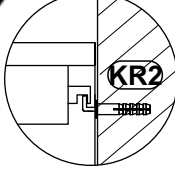
KR3		KR2	
x2	Ø10	x10	Ø8

 KR2 φ8 1	 2
---	--

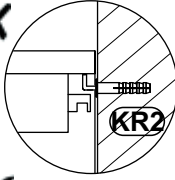
⊗ X



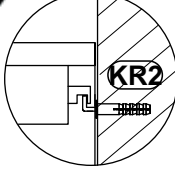
⊗ X




⊙ ✓



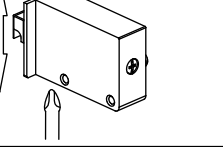
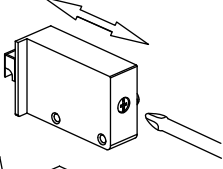
⊙ ✓



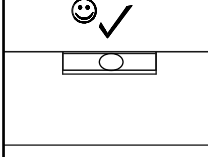
⊙



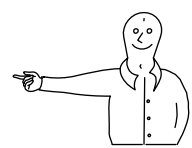
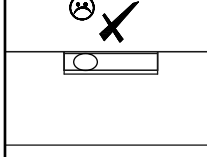
ZXL/P



⊙ ✓



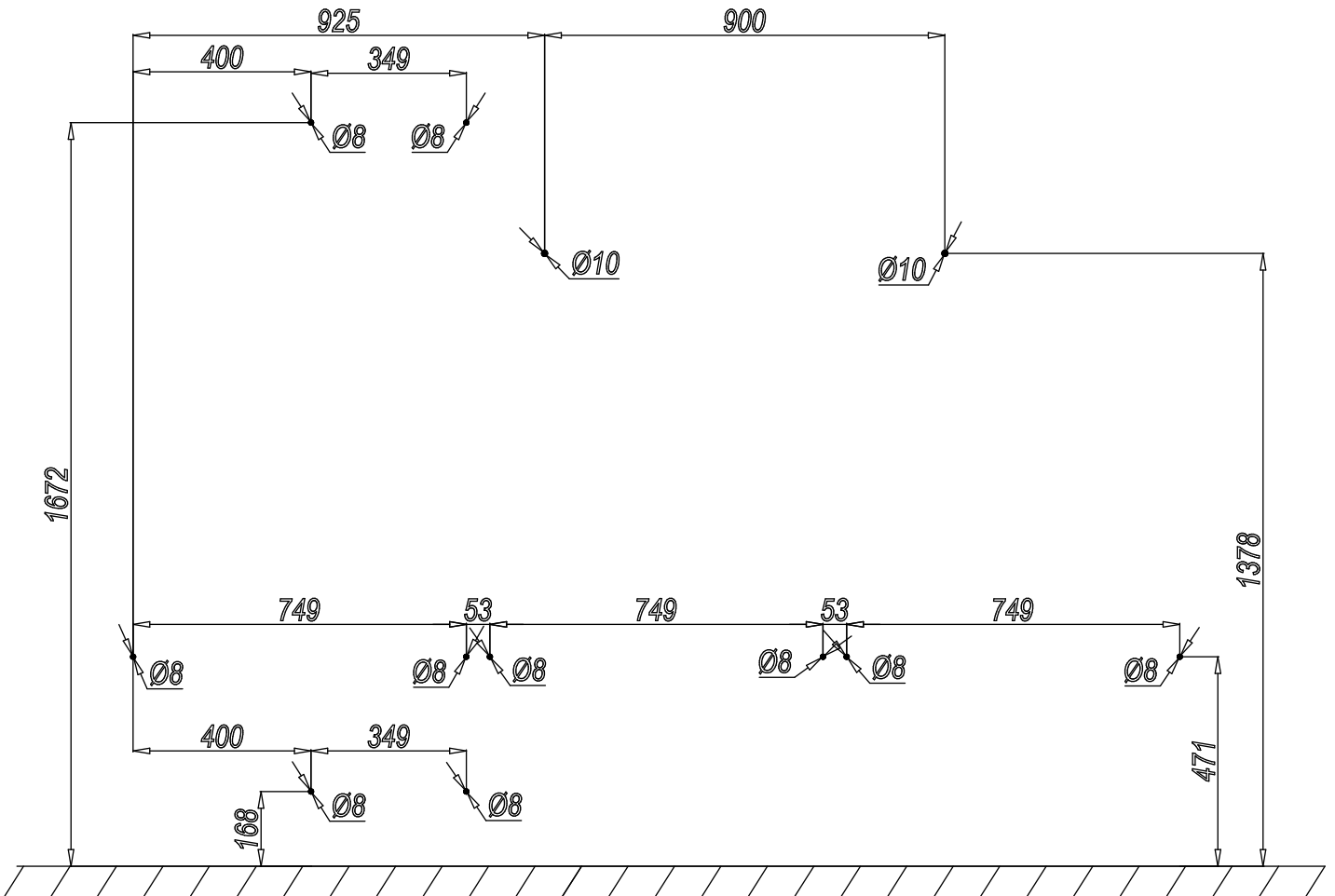
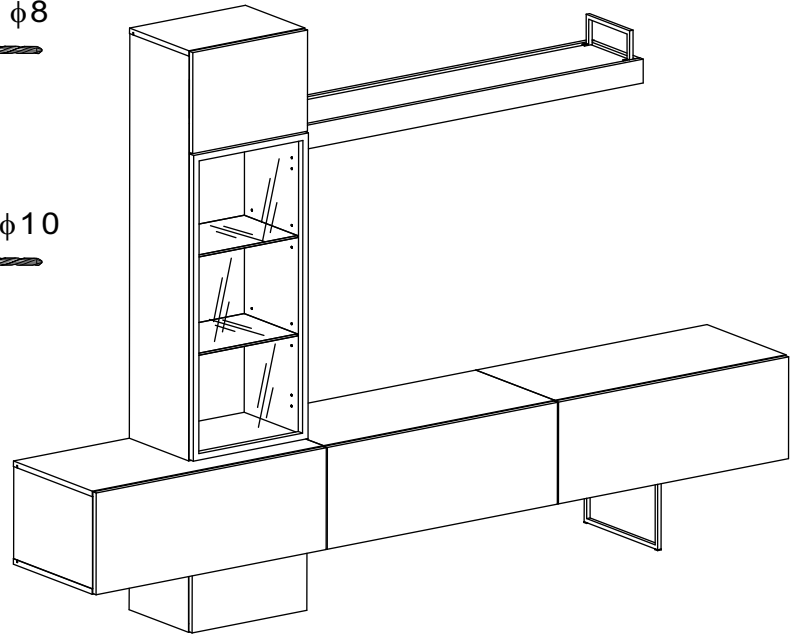
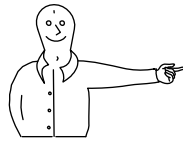
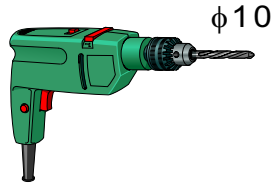
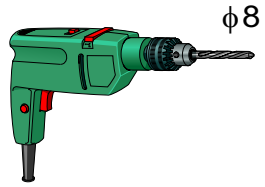
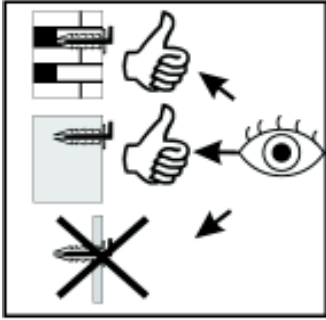
⊗ X



1 → 2 → 3 → 4

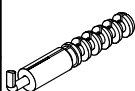
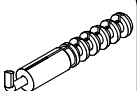
RISE

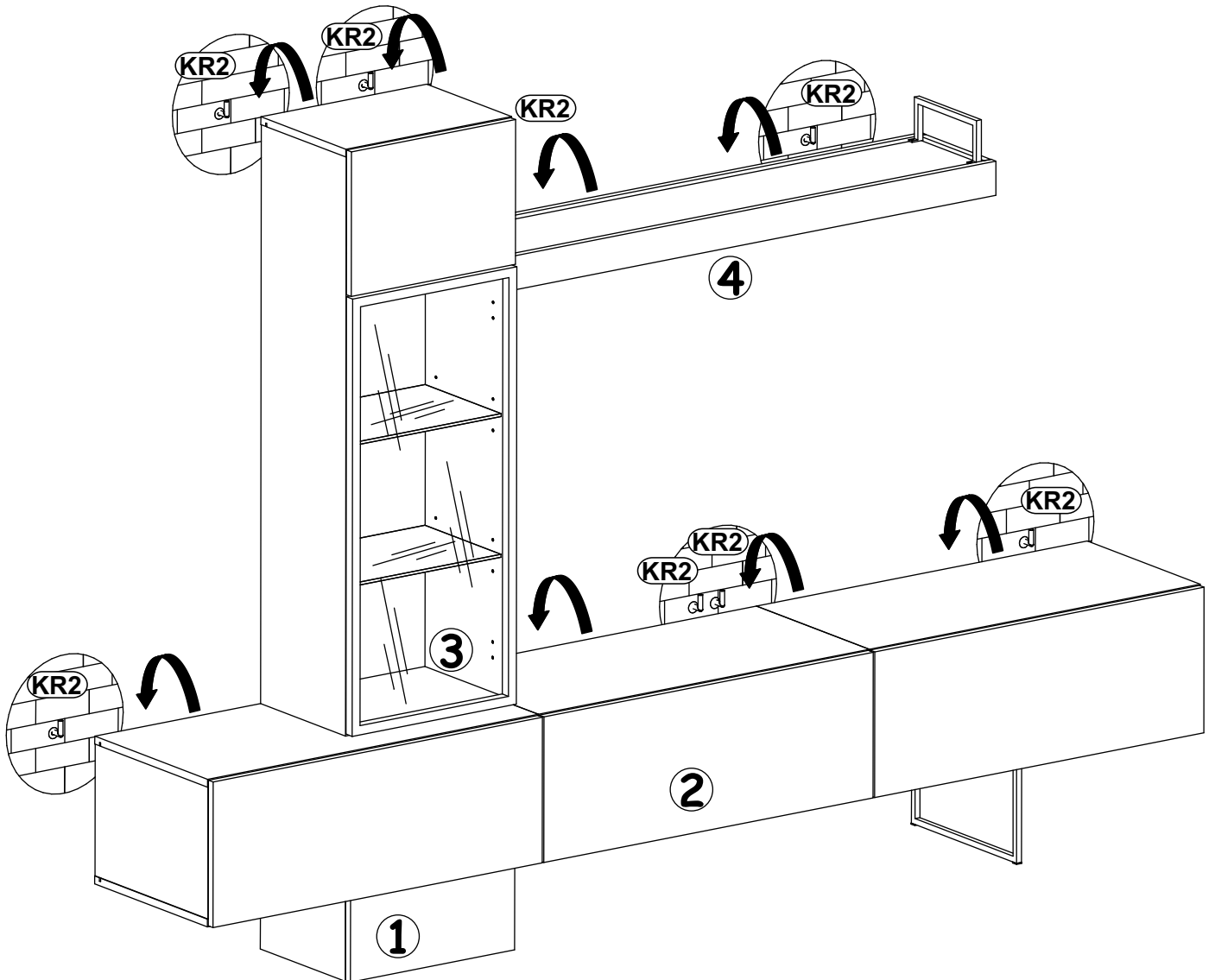
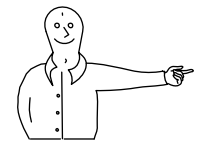
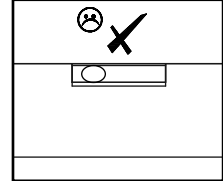
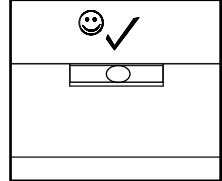
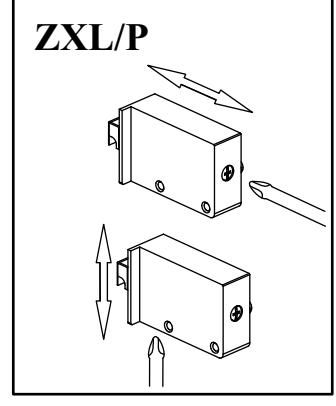
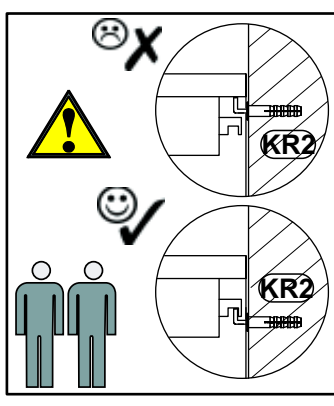
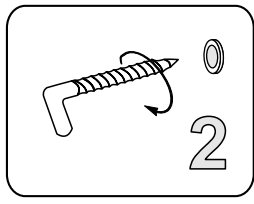
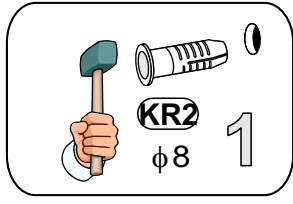
5



RISE

6

KR3		KR2	
x2	Ø10	x10	Ø8



① → ② → ③ → ④