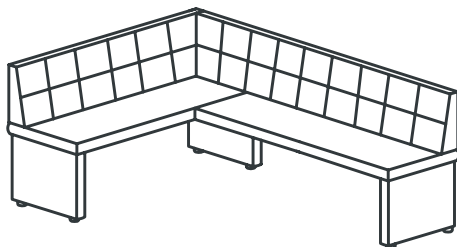
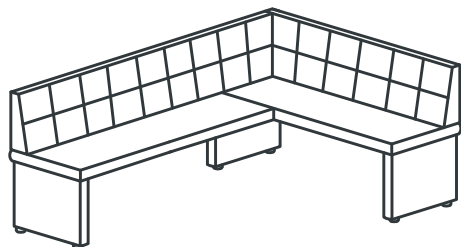


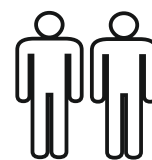
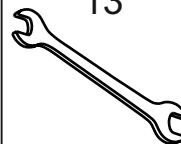
LEVÁ/LAVÁ/PRAVÁ

LEVÁ/LAVÁ

PRAVÁ

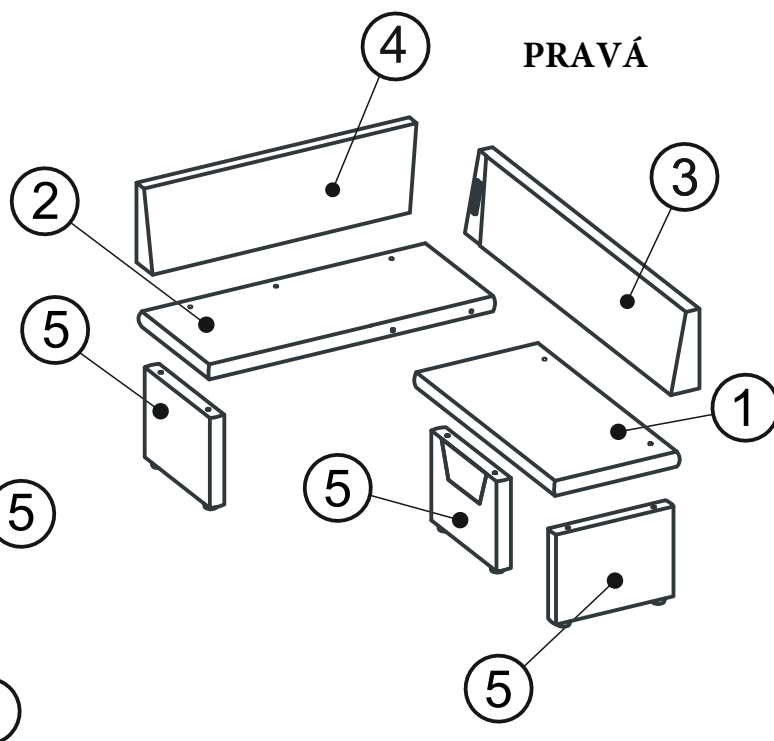
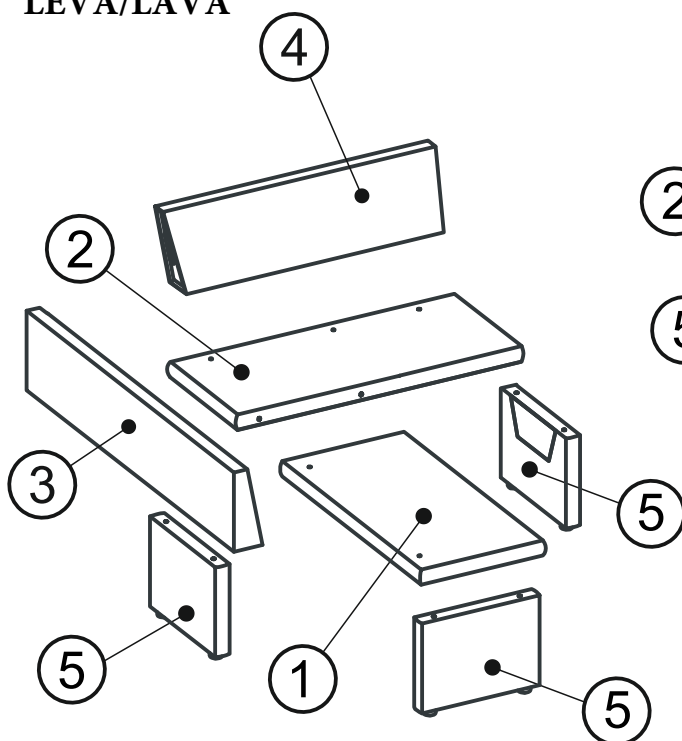



NW
13





LEVÁ/LAVÁ


PRAVÁ





| | |  |
|---|----|---|
| 1 | 1x | 2/2 |
| 2 | 1x | 2/2 |
| 3 | 1x | 1/2 |
| 4 | 1x | 1/2 |
| 5 | 3x | 2/2 |

A 5x

M8 L-60

B 2x

M8 L-80

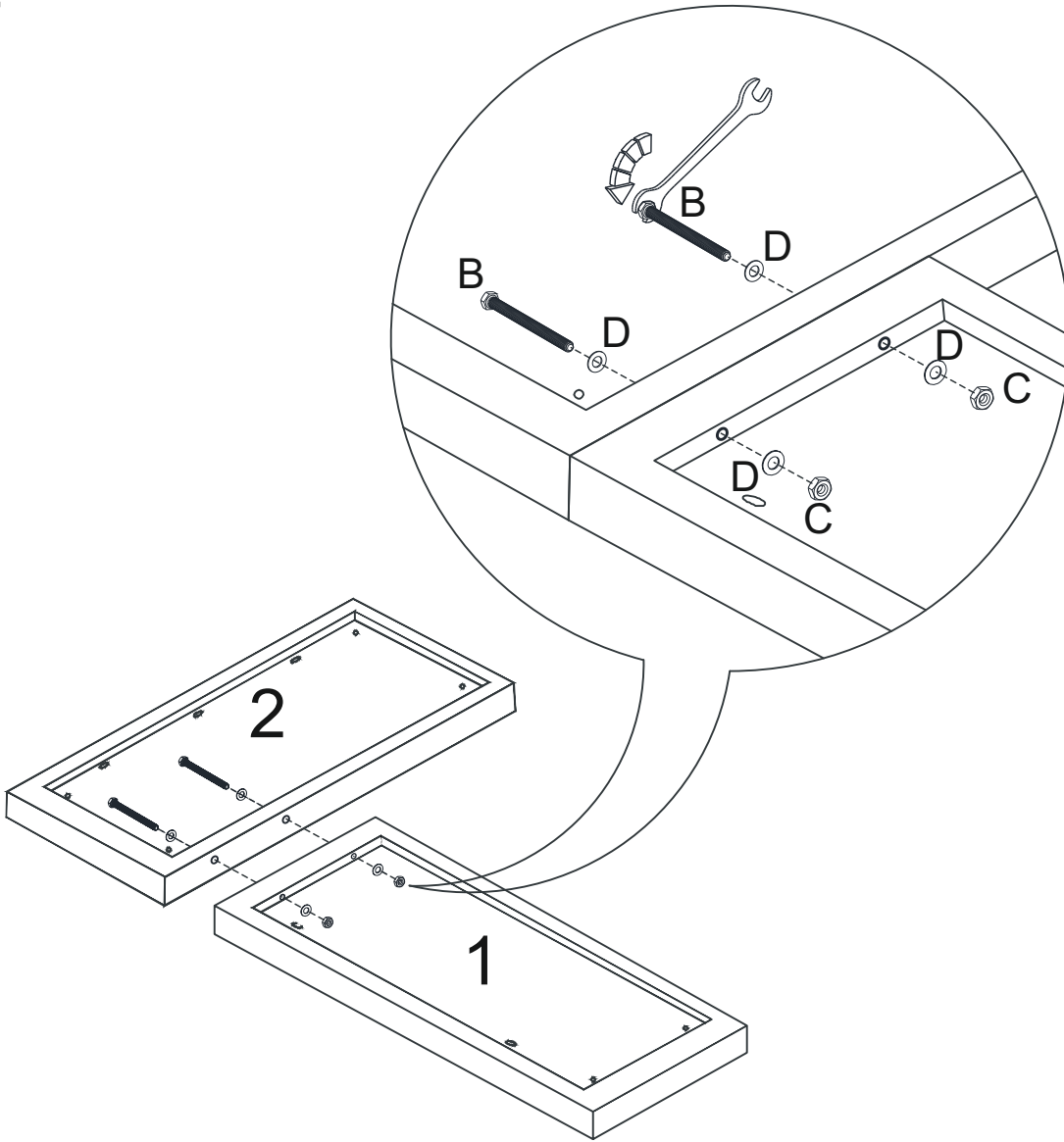
C 2x

M8




D 15x

Ø8

E 6x

M8 L-100

I.

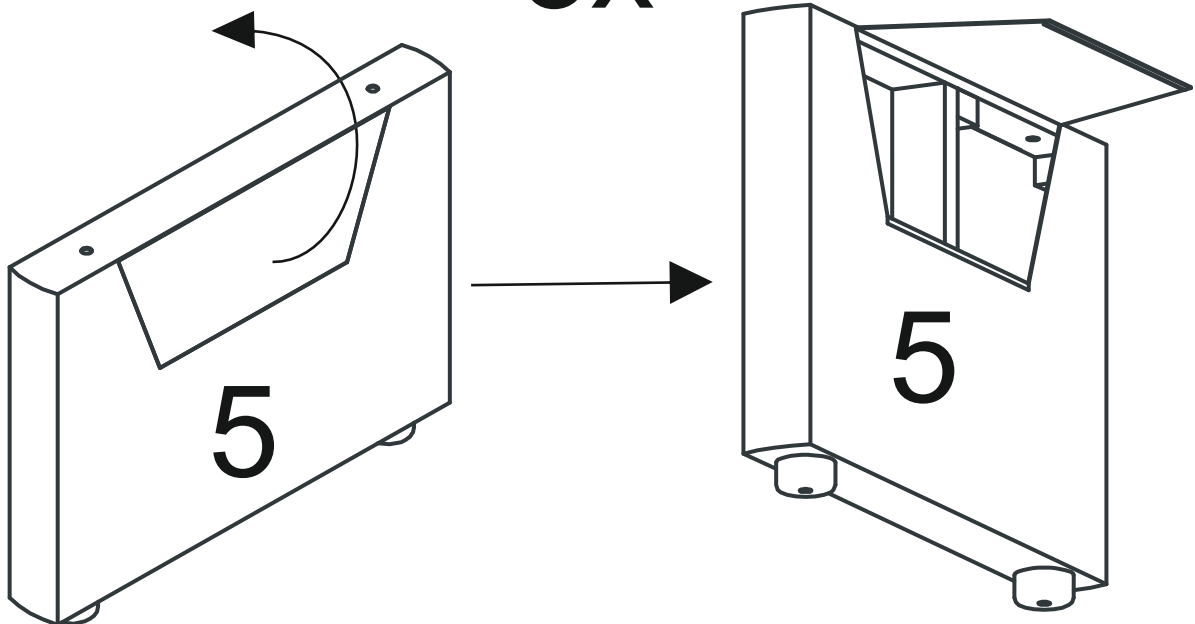
1.



| | |
|---|----|
| B | 2x |
|  | |
| M8 L-80 | |
| C | 2x |
|  | |
| M8 | |
| D | 4x |
|  | |
| Ø8 | |

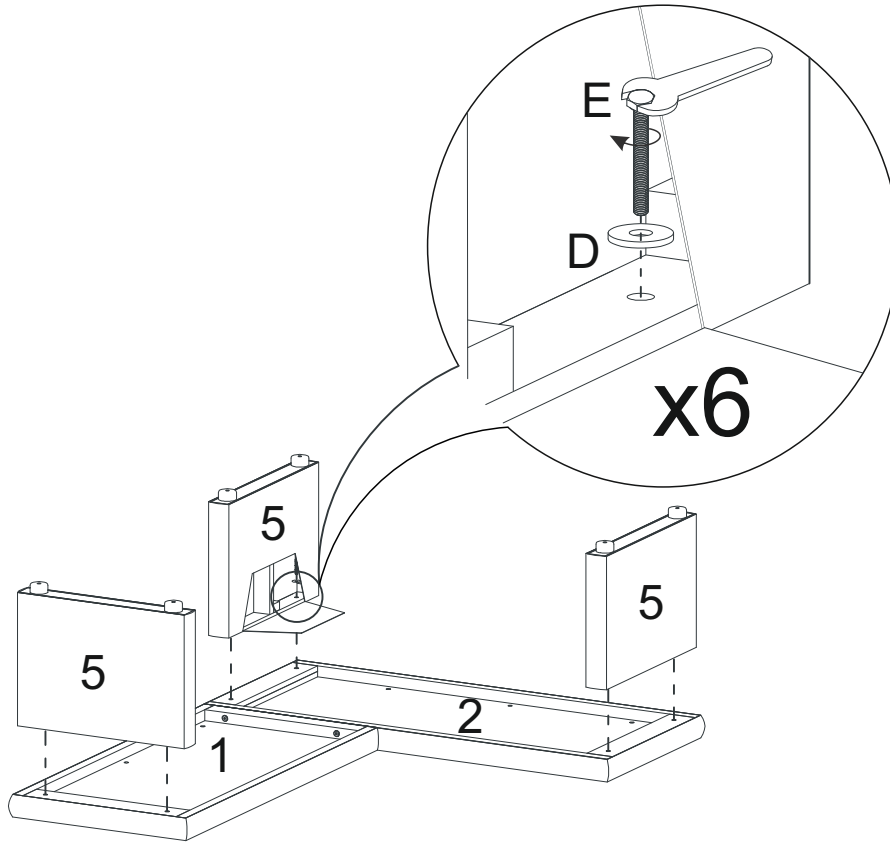
2.



3x



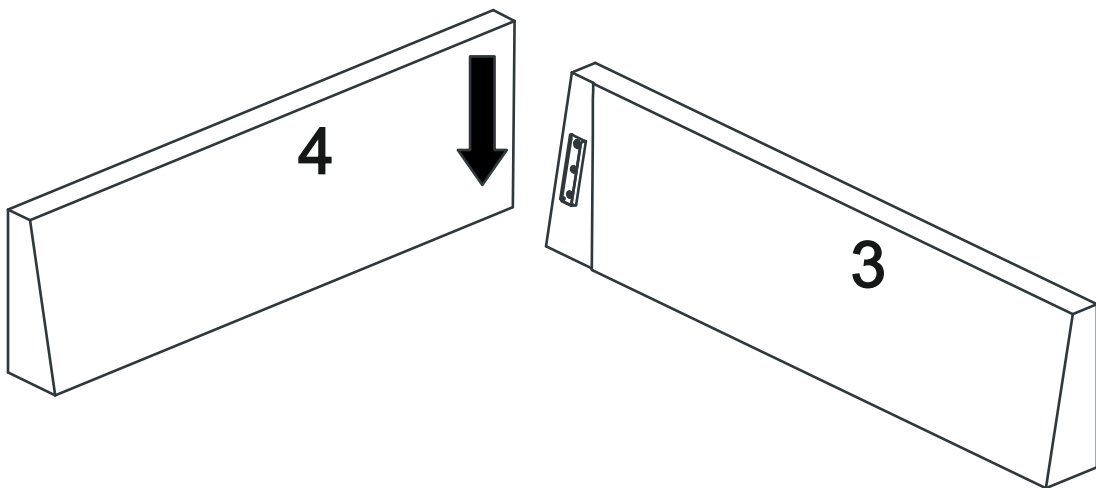
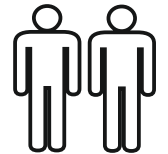
II.

3.



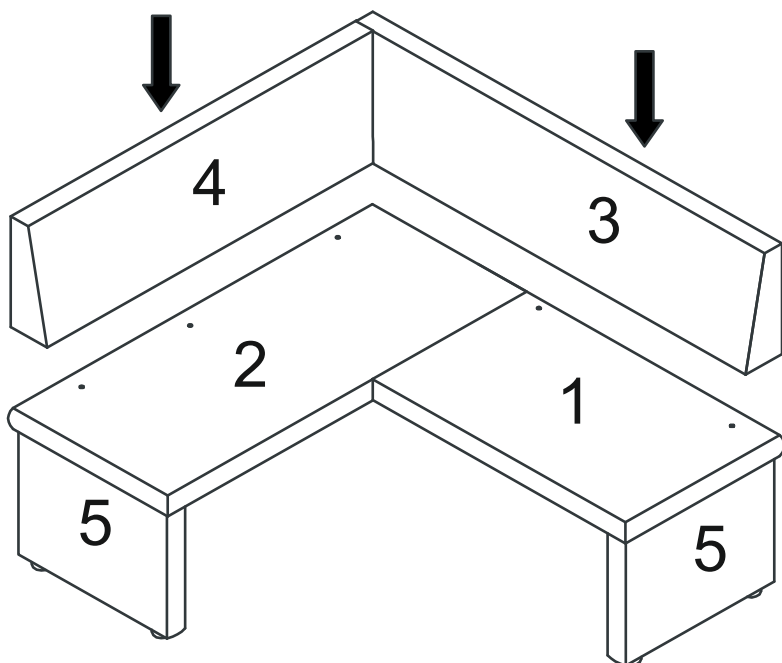
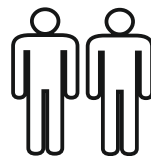
| | |
|---|----|
| E | 6x |
|  | |
| M8 L-100 | |
| D | 6x |
|  | |
| Ø8 | |

4.

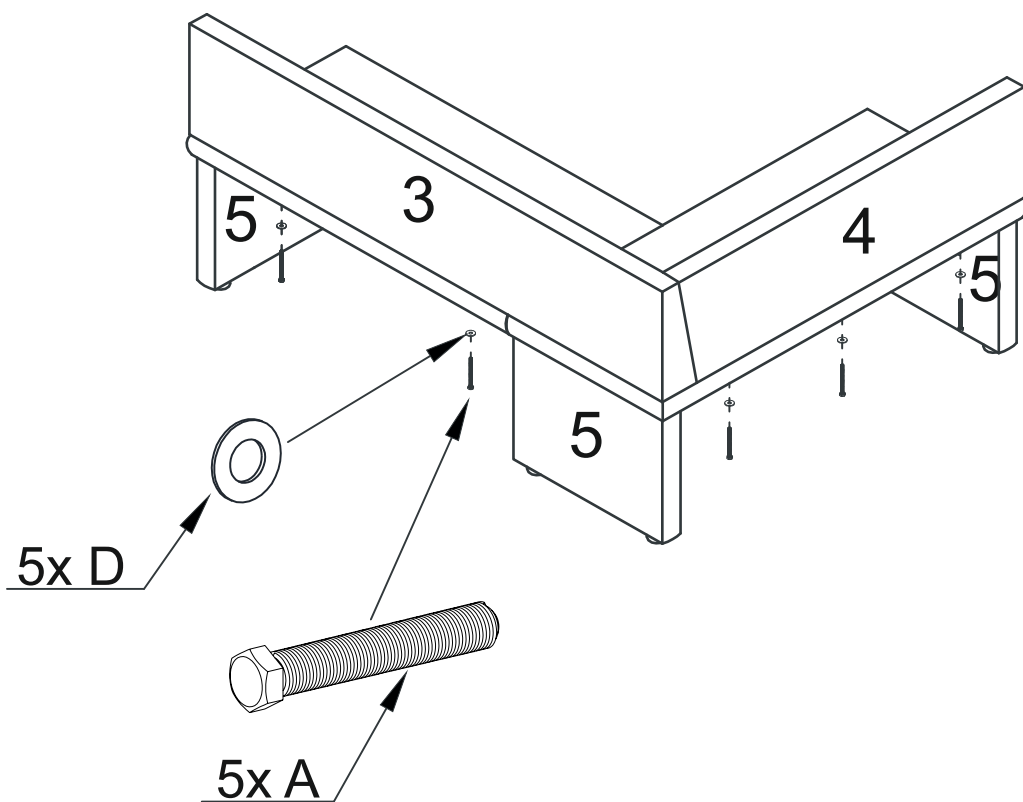
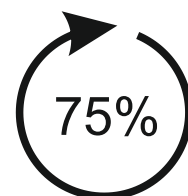
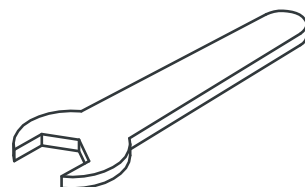




III.

5.



6.



| | |
|---|----|
| A | 5x |
|  | |
| M8 L-60 | |
| D | 5x |
|  | |
| Ø8 | |

IV.

7.

