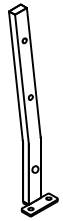
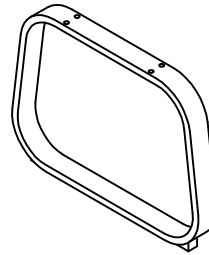
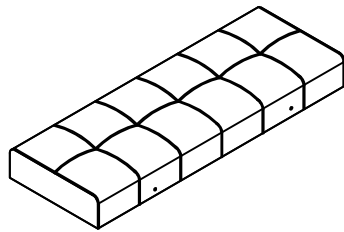
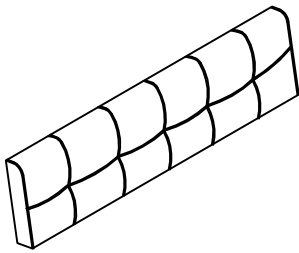


1

2

3

4



1	1x
2	1x
3	2x
4	2x



1/1

A

M8\*35



12X

B

M8\*18



4X

C

M8\*40



2X

D

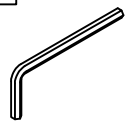
Ø18\*Ø8\*1.5



18X

E

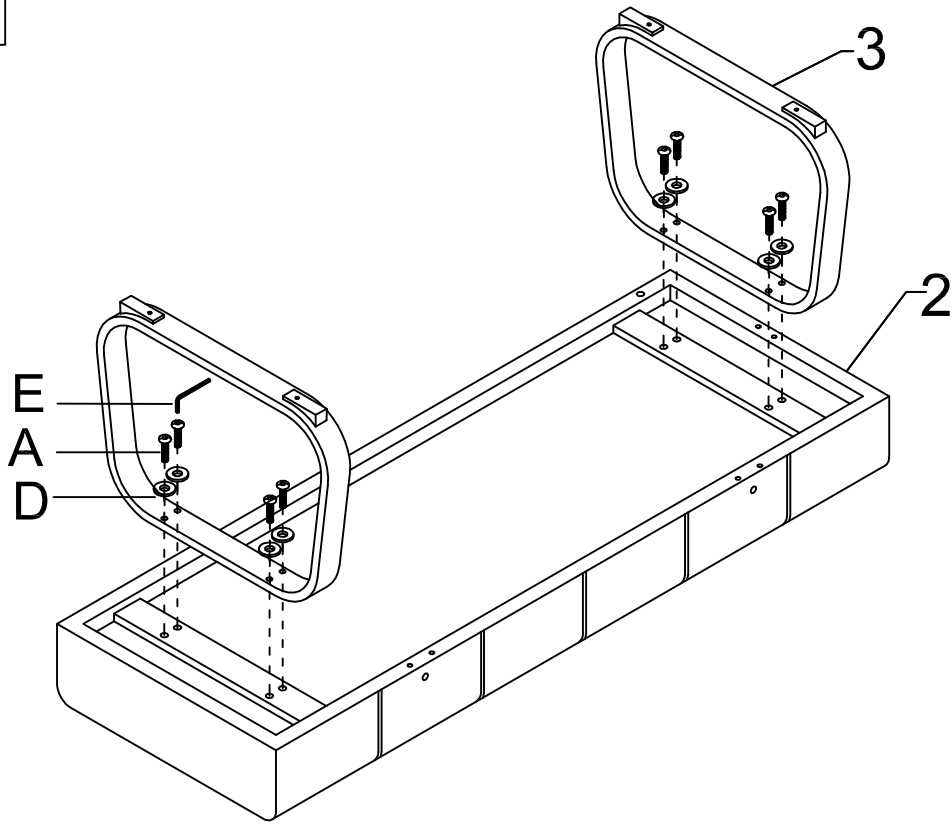
5mm



1X

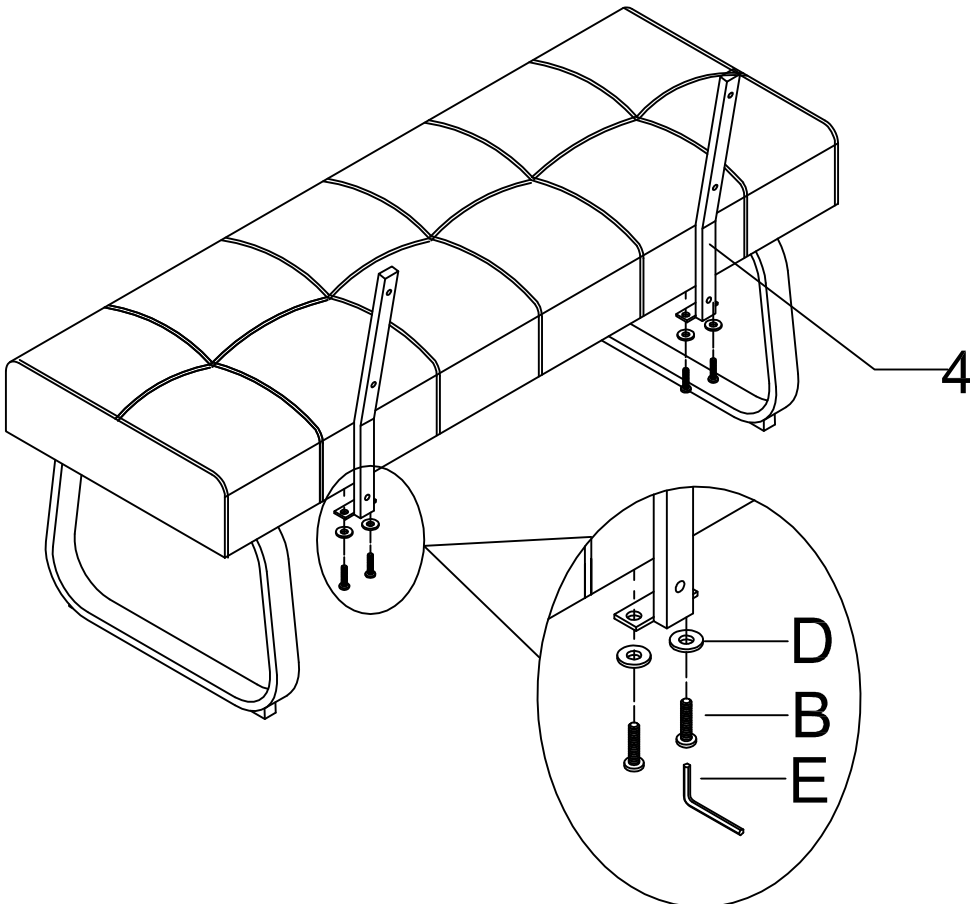
I.

1.



A	
D	
E	

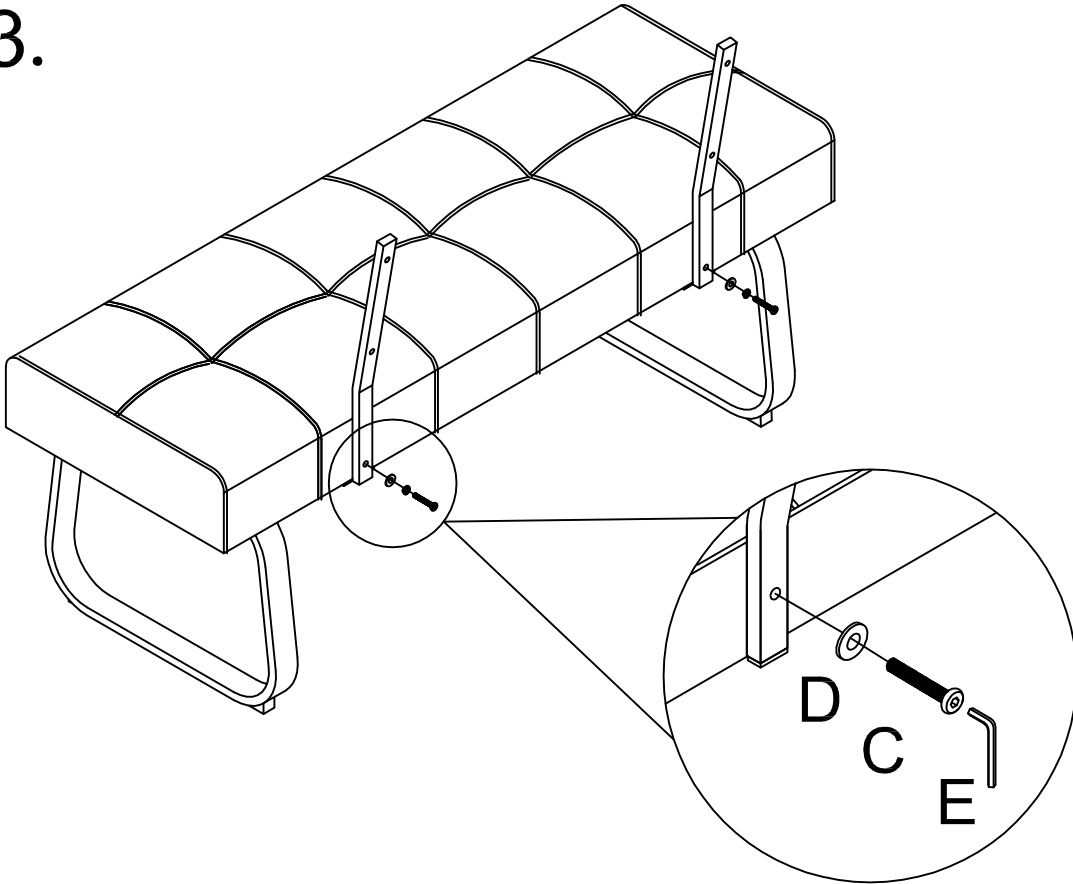
2.

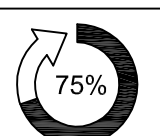


B	
D	
E	

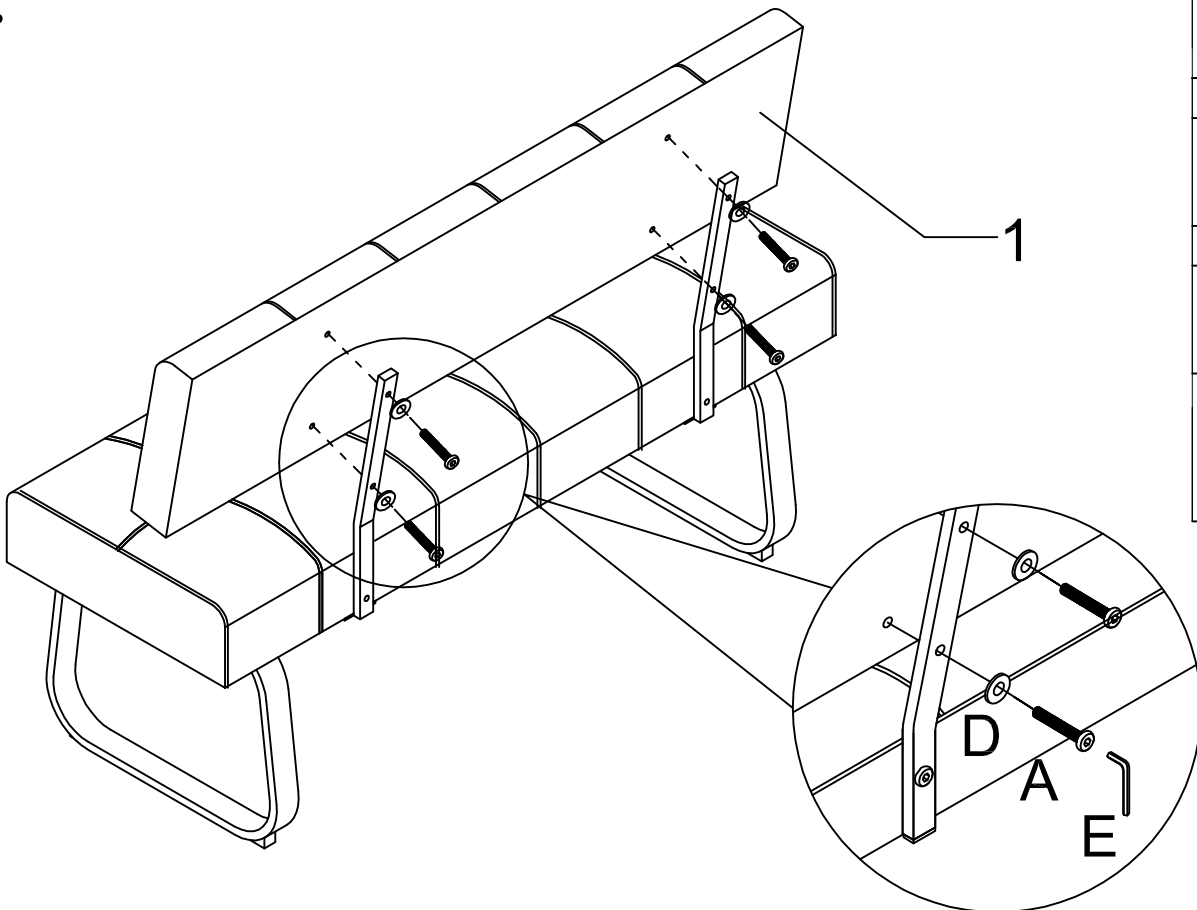
II.


3.



- C** M8\*40  
2X
  - D** Ø18\*Ø8\*1.5  
2X
  - E** 5mm  
1X
- 


4.



- A** M8\*35  
4X
  - D** Ø18\*Ø8\*1.5  
4X
  - E** 5mm  
1X
- 

III.

5.

E 5mm  
 1X

