



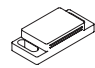


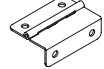







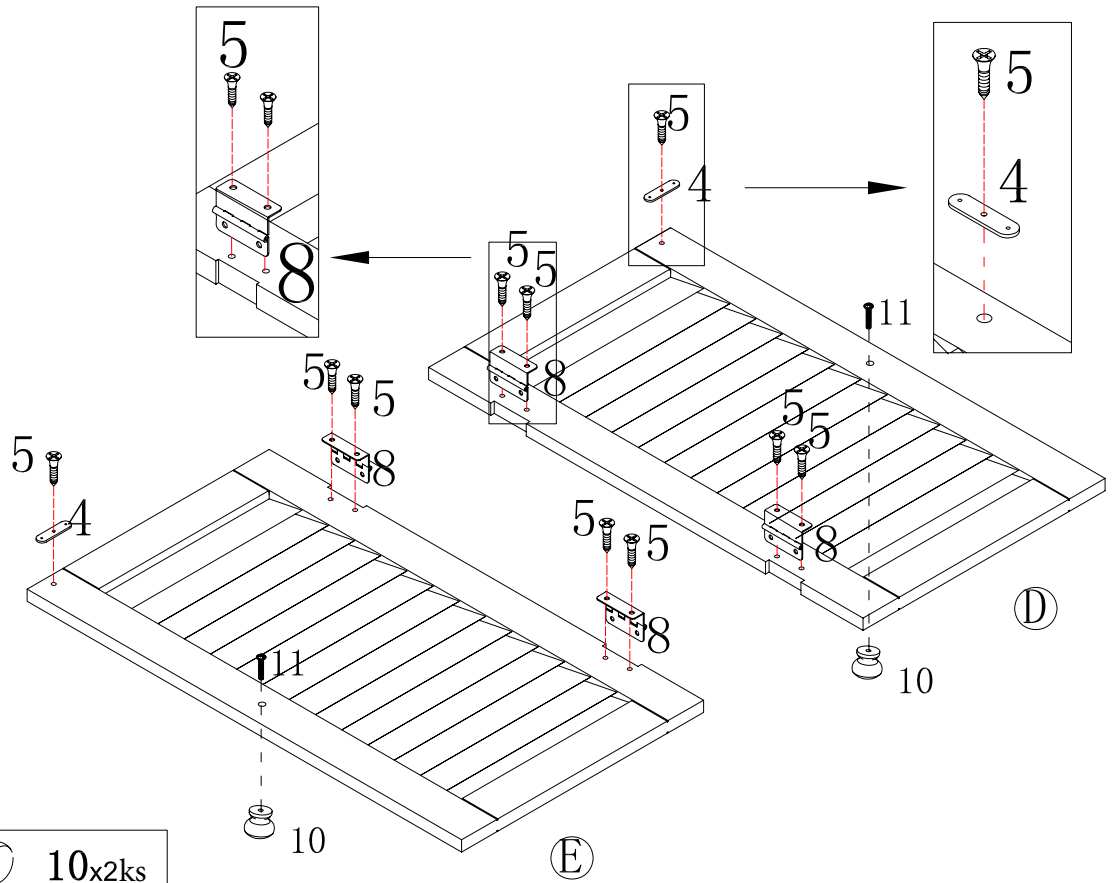








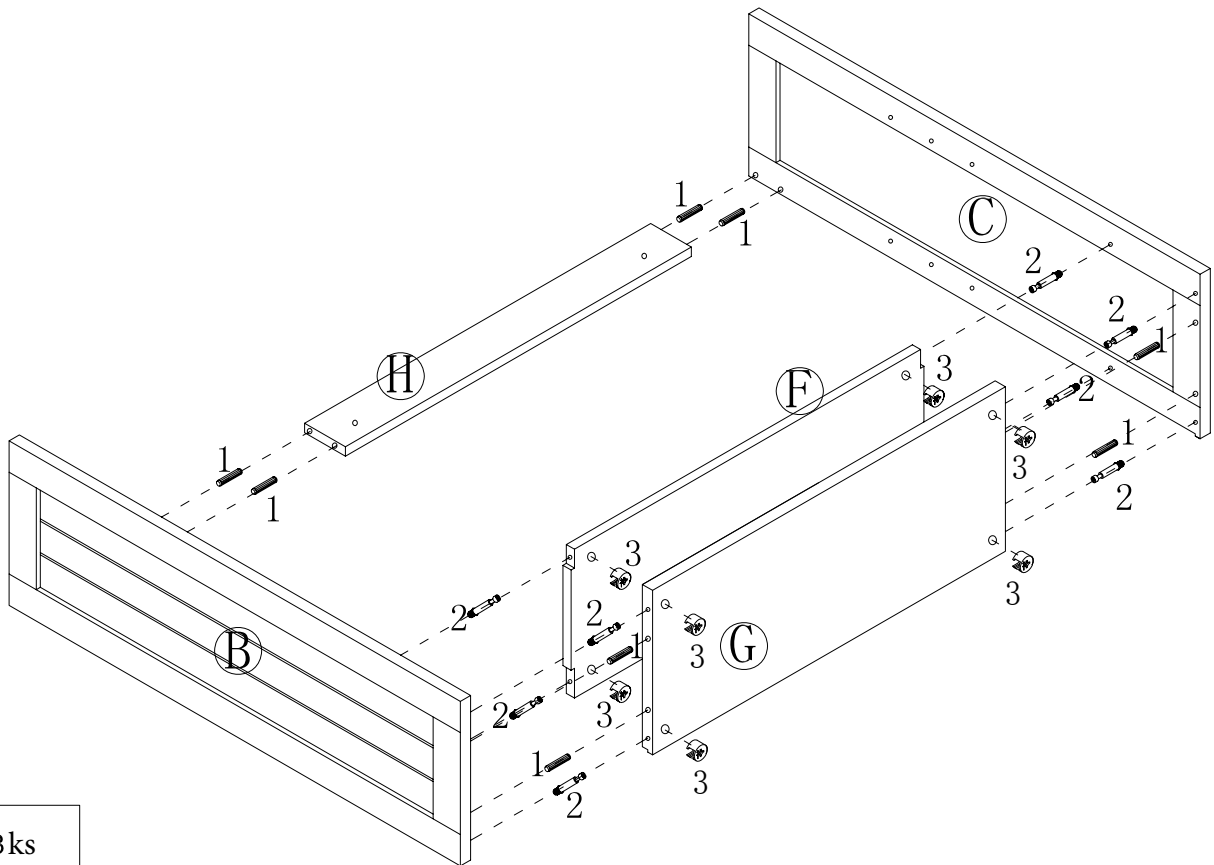
1		$\phi 6 \times 30 \text{mm}$	12 ks	6		$\phi 2.5 \times 12 \text{mm}$	2 ks	11		$\phi 4 \times 18 \text{mm}$	2 ks
2			8 ks	7			1 ks	12		$\phi 5 \times 15 \text{mm}$	4 ks
3		$\phi 15 \times 9.5 \text{mm}$	8 ks	8			4 ks	13		$\phi 3.5 \times 45 \text{mm}$	2 ks
4			2 ks	9		$\phi 6 \times 35 \text{mm}$	2 ks	14		$\phi 4 \times 30 \text{mm}$	4 ks
5		$\phi 3 \times 10 \text{mm}$	18 ks	10			2 ks	15		$\phi 2.2 \times 10 \text{mm}$	22 ks

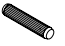


1



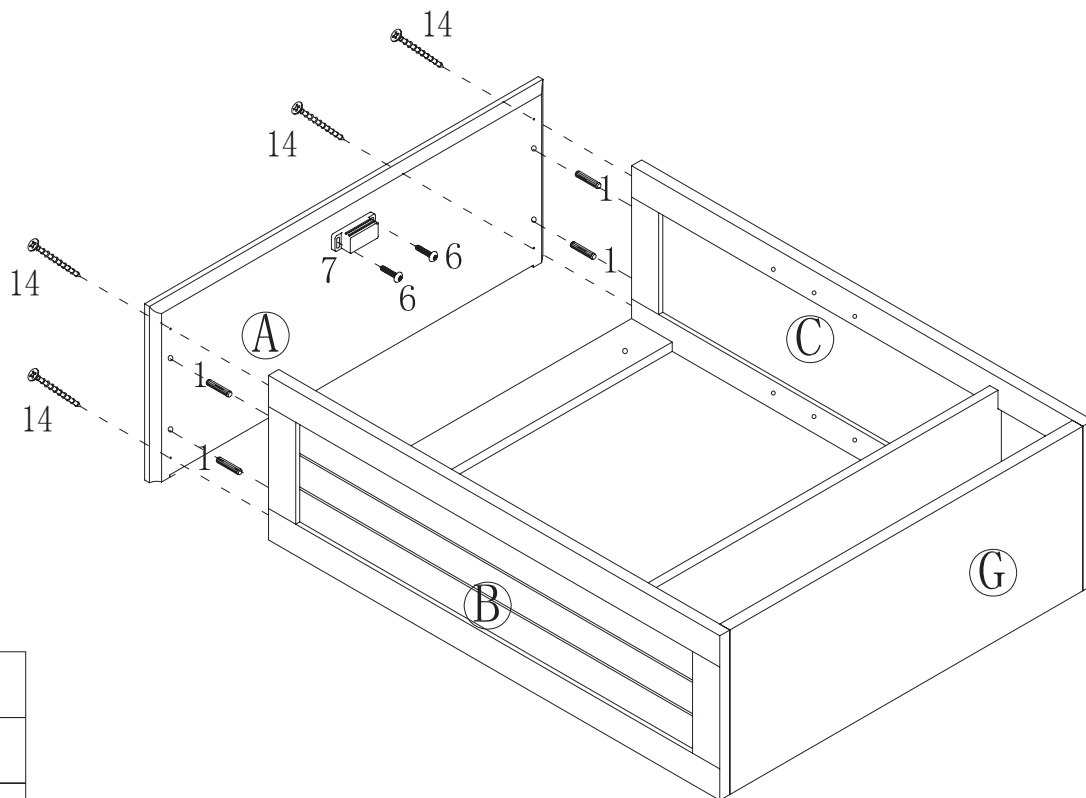
	4x2 ks		10x2 ks
	5x10 ks		8x4 ks
	8x4 ks		11x2 ks





2



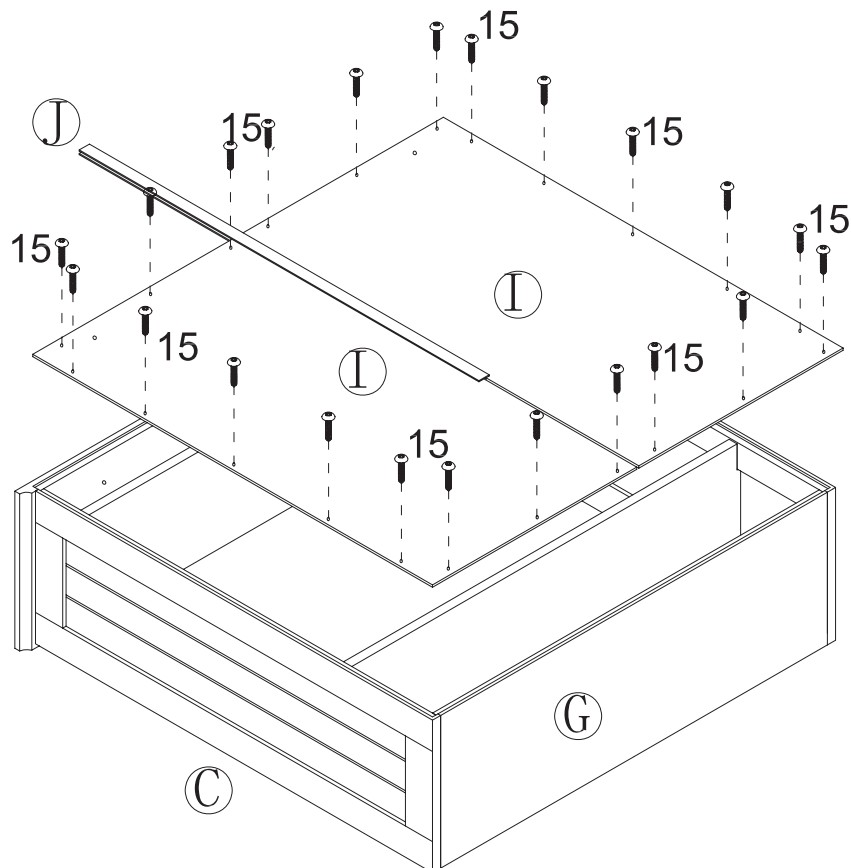
	1x8 ks
	2x8 ks
	3x8 ks


3



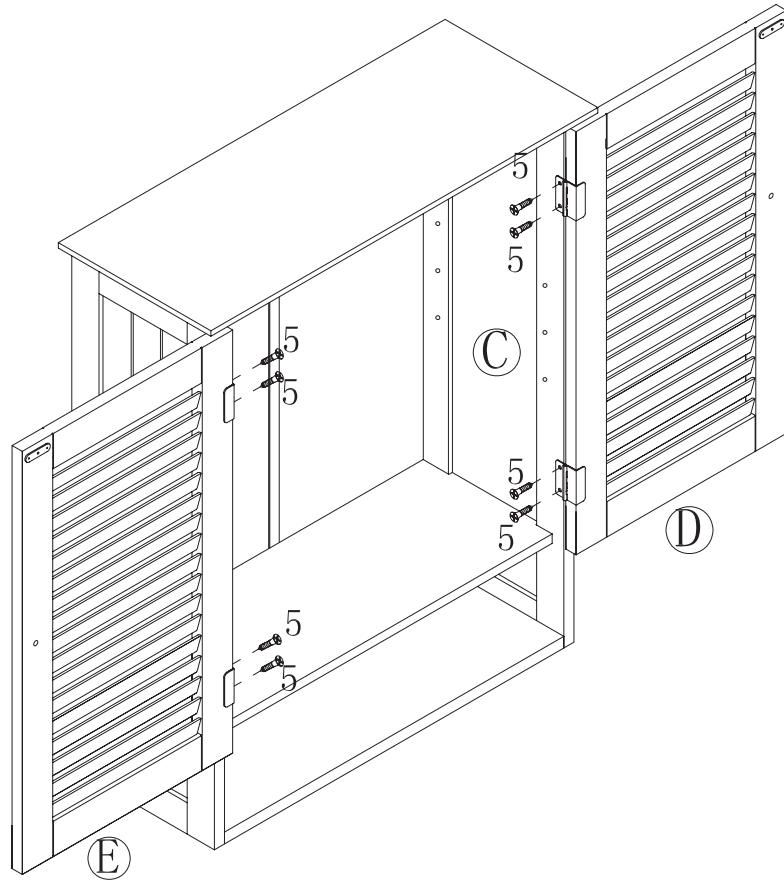
- | | |
|--|--------|
|  | 1x4ks |
|  | 6x2ks |
|  | 7x1ks |
|  | 14x4ks |

4



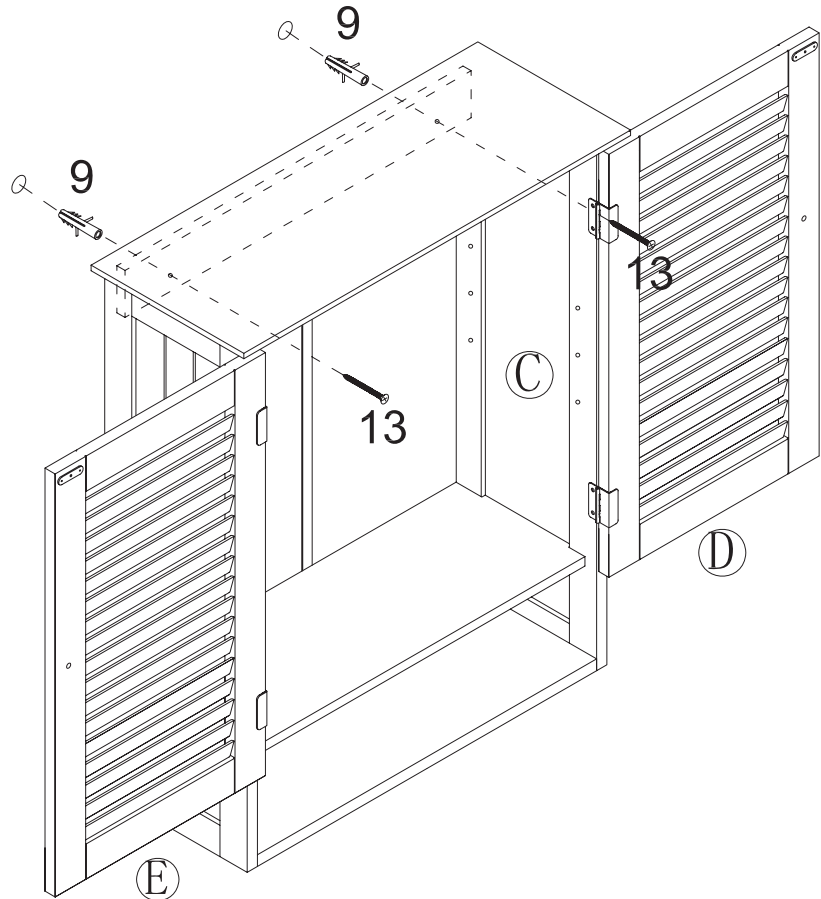
- | | |
|--|---------|
|  | 15x22ks |
|--|---------|

5



5x8ks

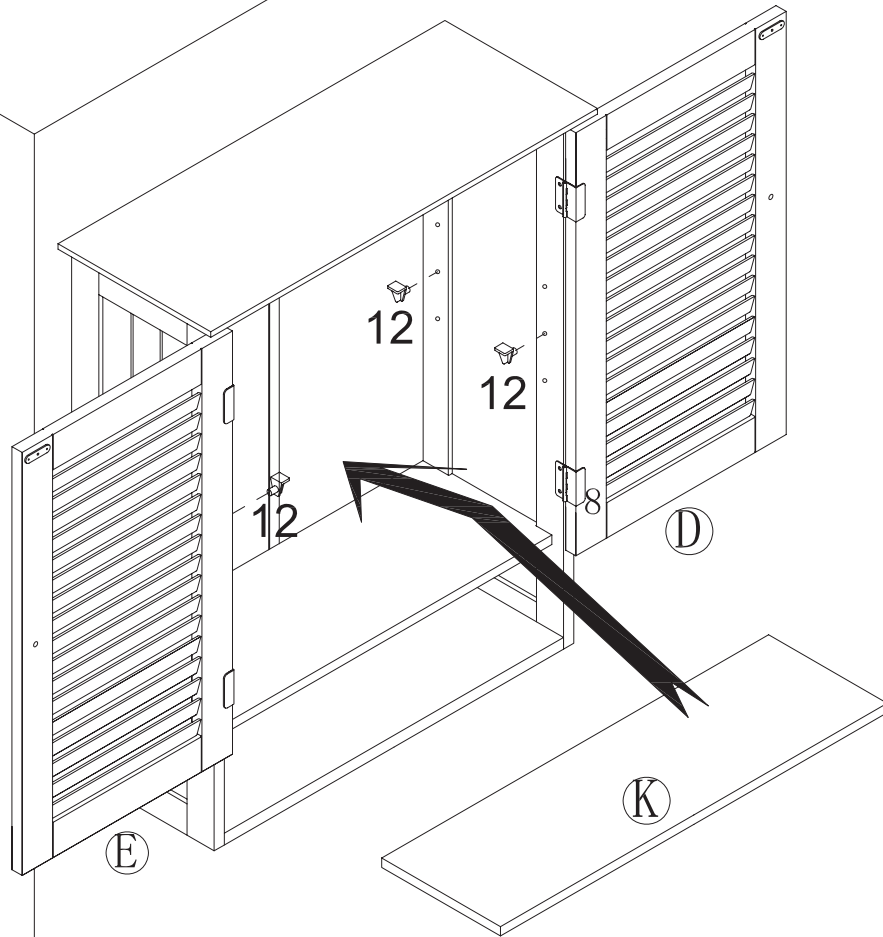
6



9x2ks

13x2ks

7



12x4ks

8

