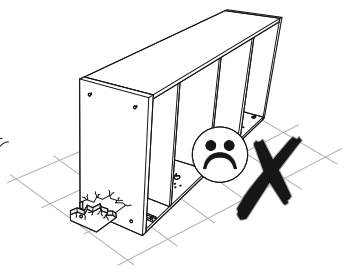
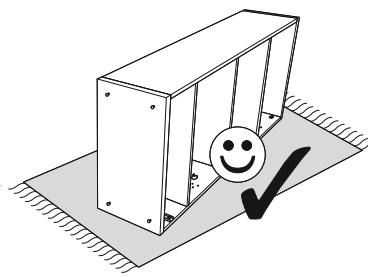
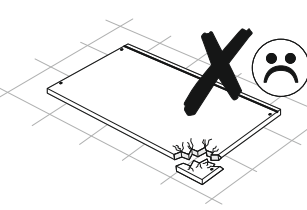
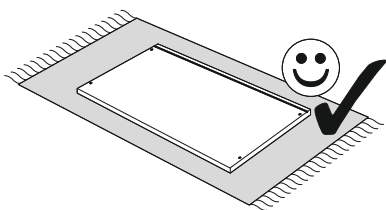
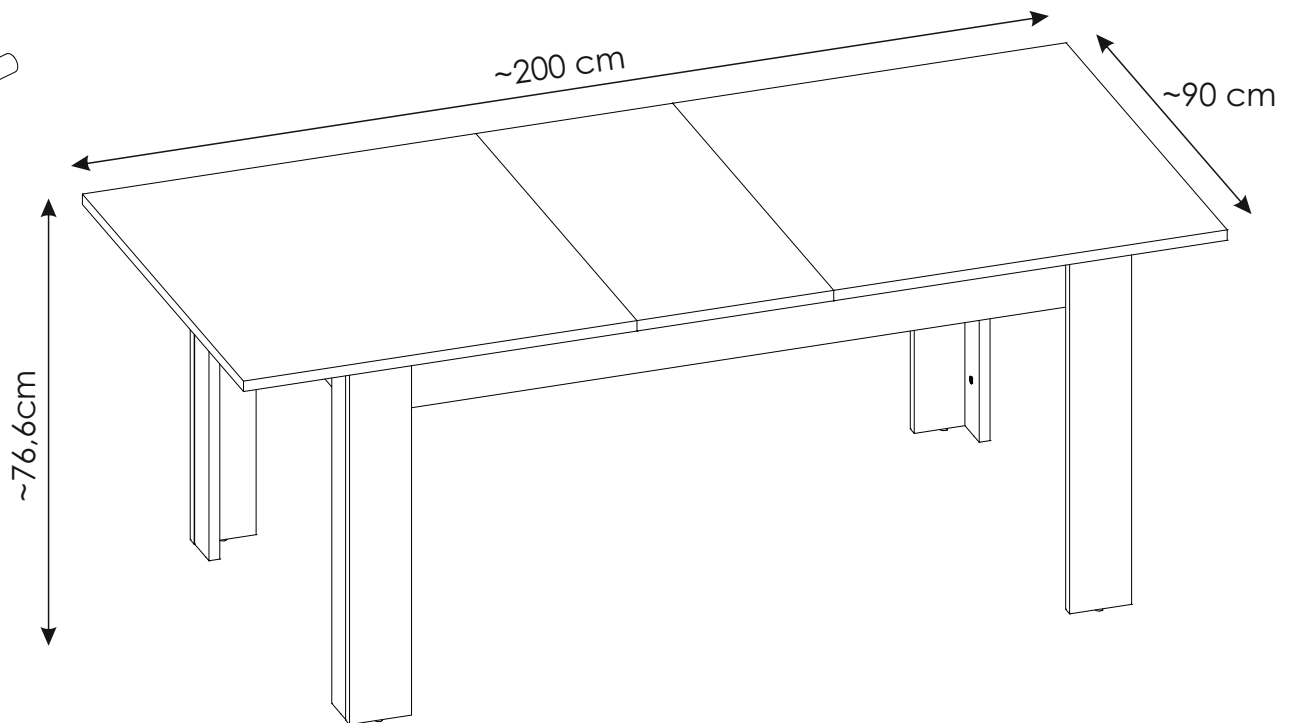
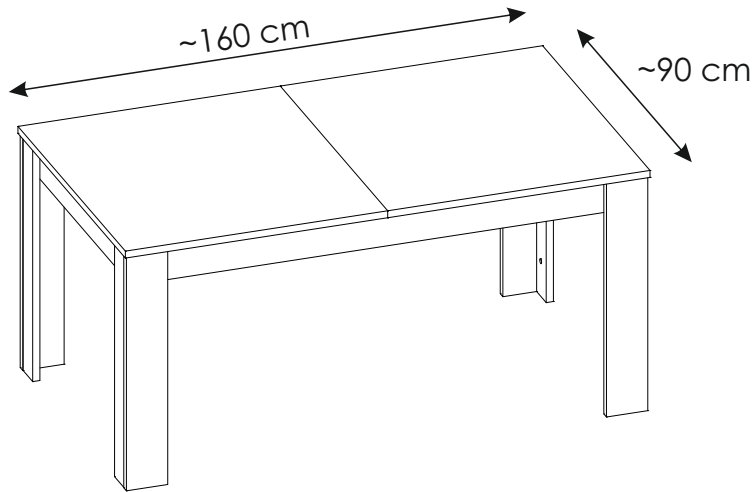
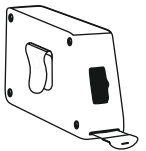
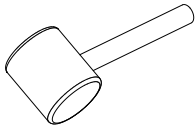
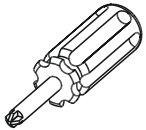
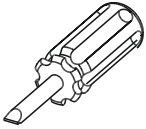
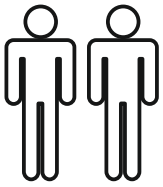
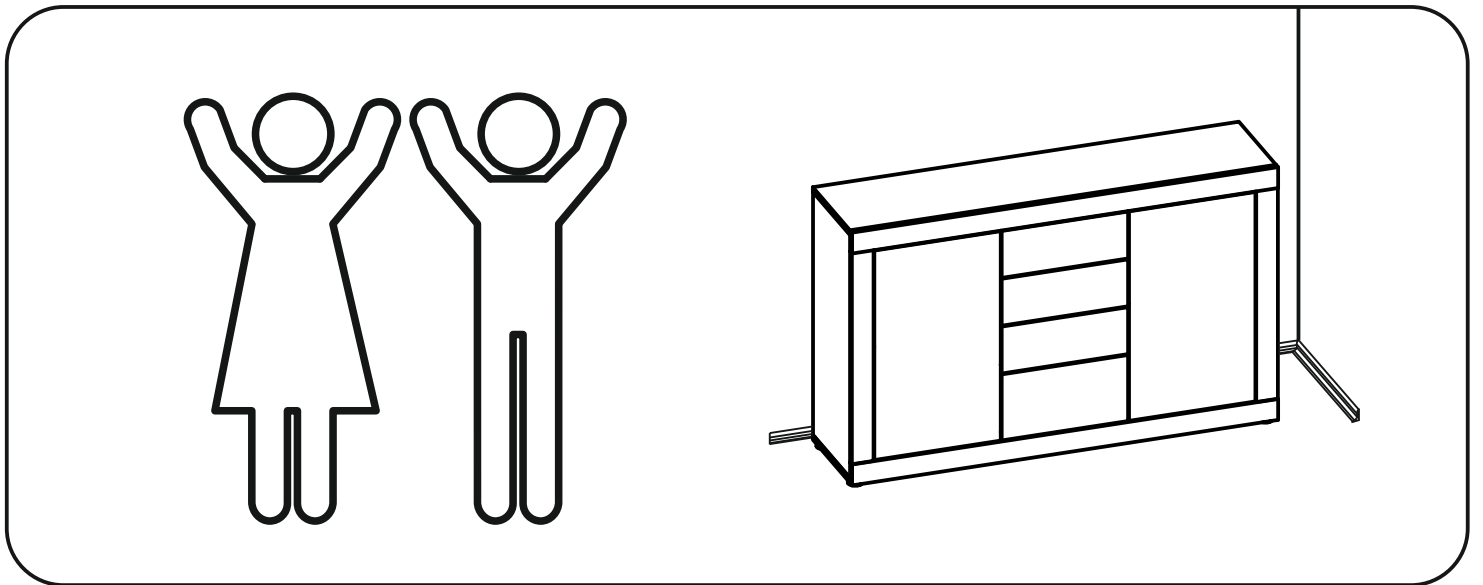
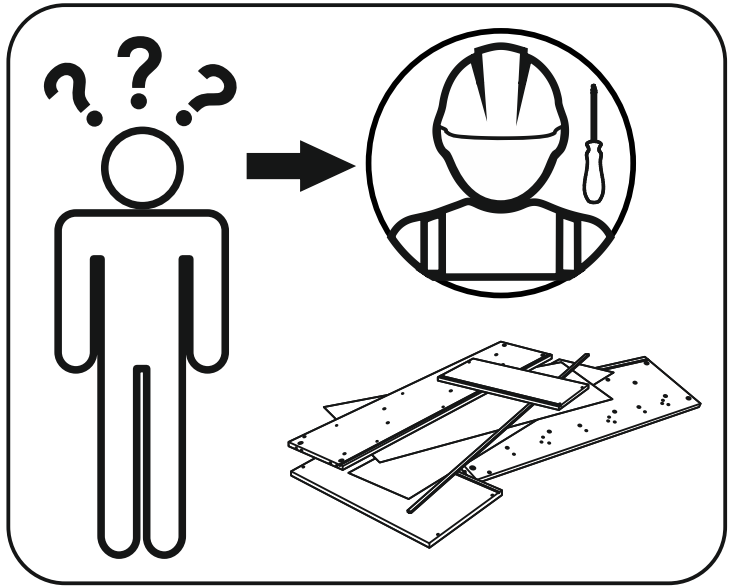
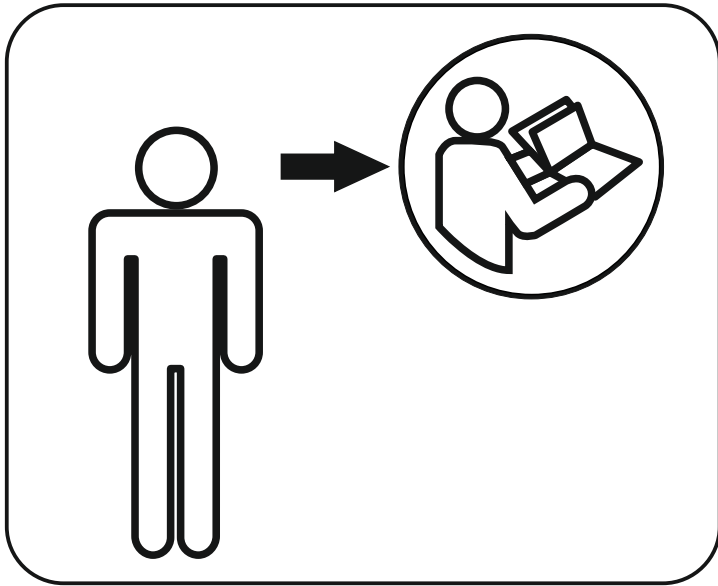
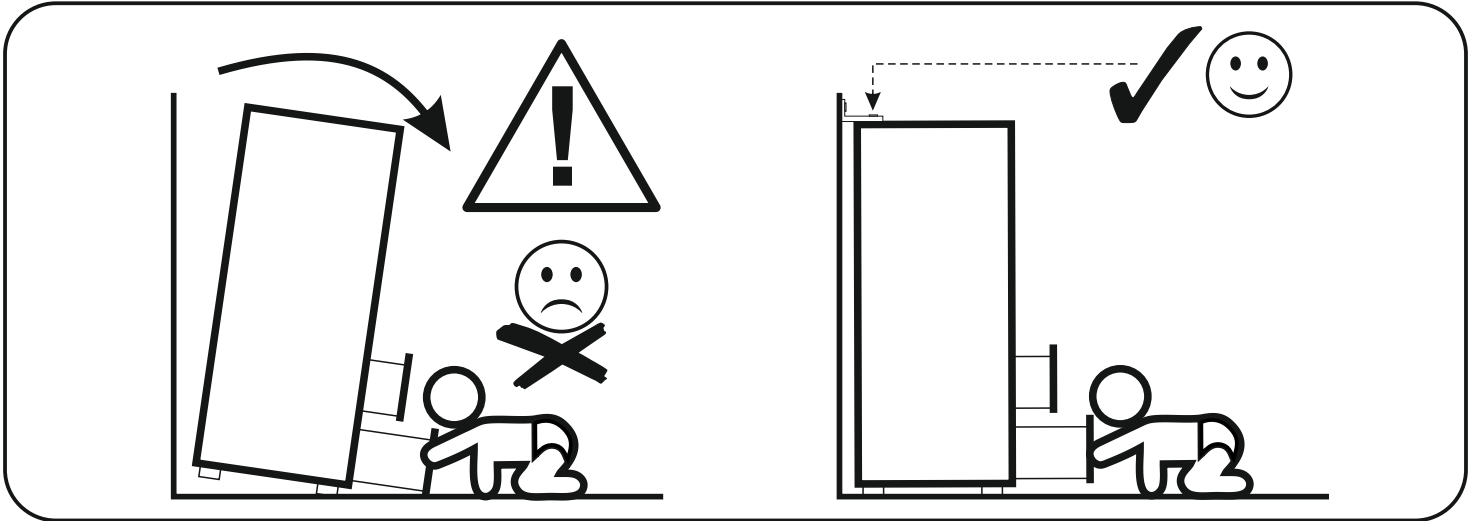
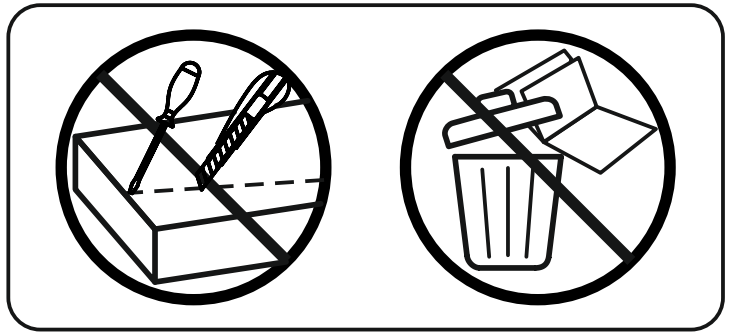
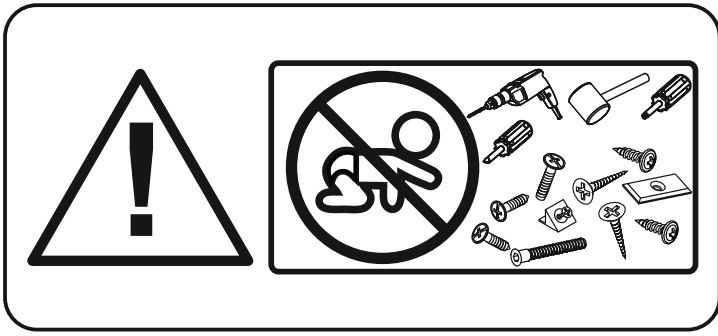
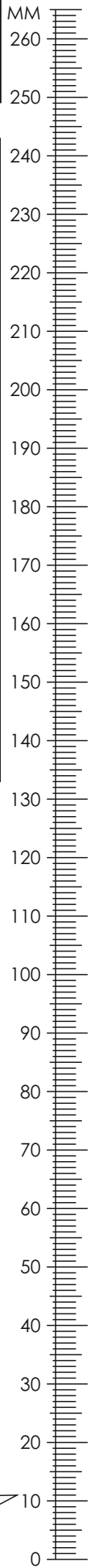




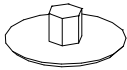

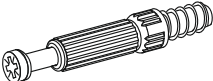
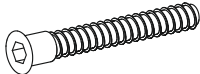
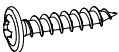
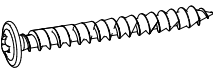
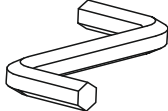

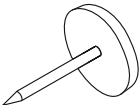

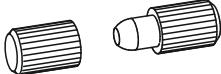
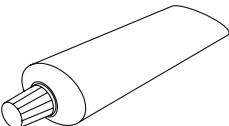
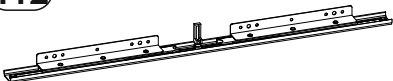
LYOT04

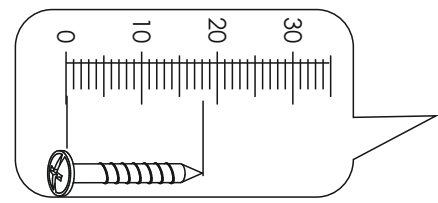




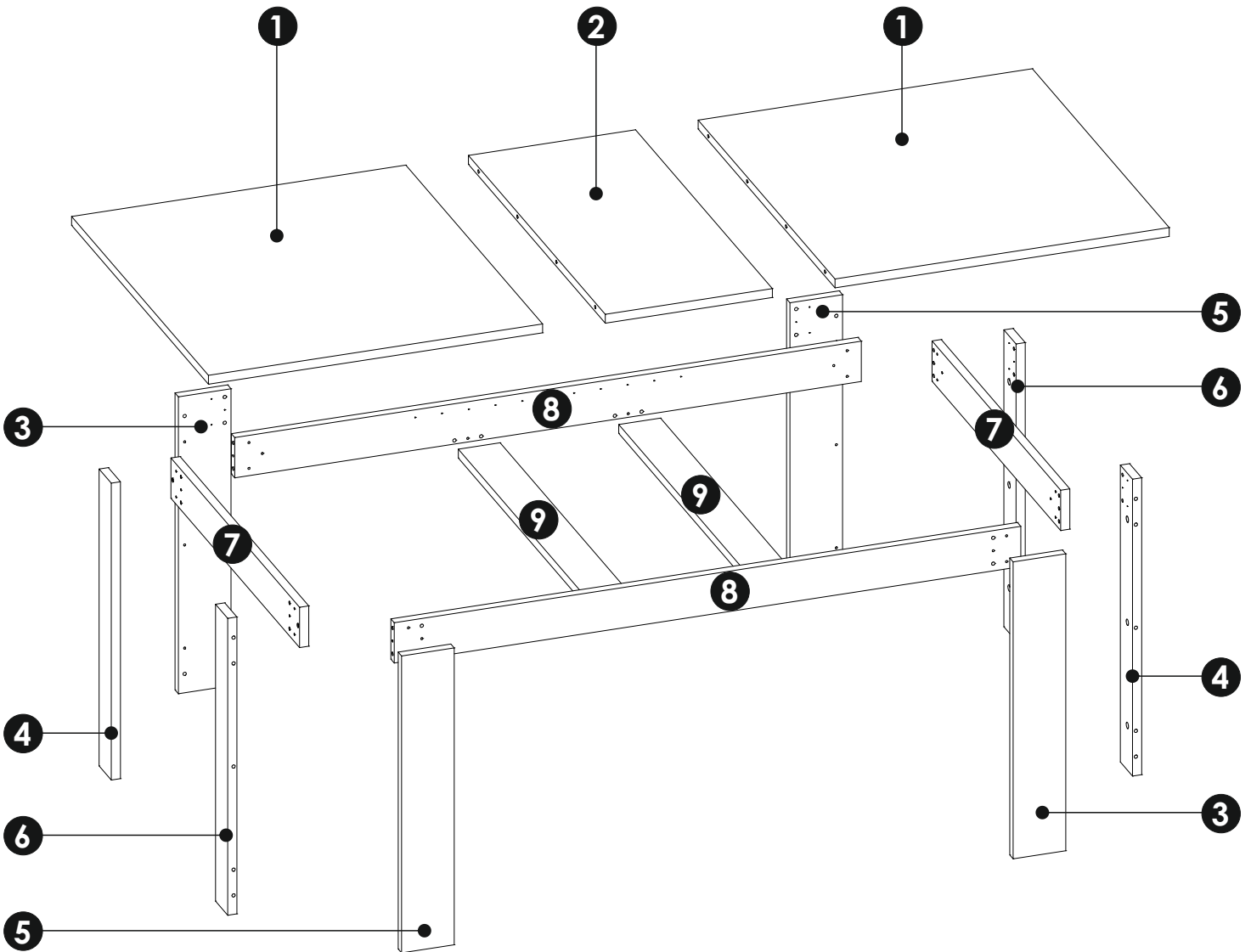
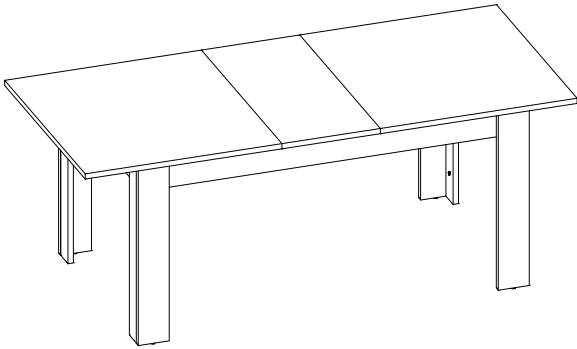
LYOT04



| | | |
|--|---|--|
| A1 8 x 35 mm x24  | A6 8 x 24 mm x16  | E0 Ø16 x16  |
| E1 15 x 12 mm x16  | F1 6 x 34 mm x16  | G2 7 x 60 mm x4  |
| I9 4 x 20 mm x20  | I15 4 x 40 mm x24  | M x1  |
| N5 3,5 x 16 mm x20  | O2 x8  | O2A ø20 x8  |
| R8 x8  | S x1  | T12 L - 700 mm x2  |

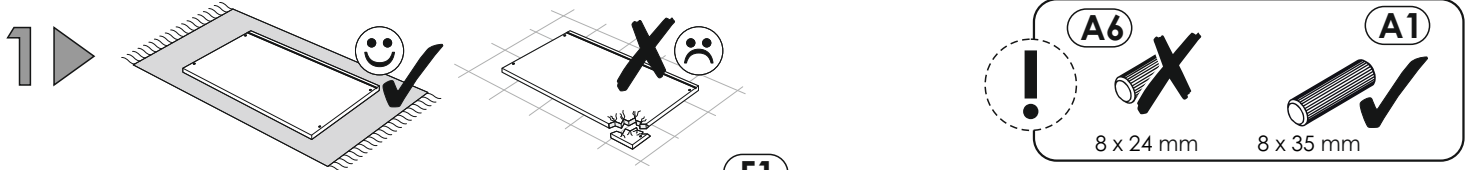
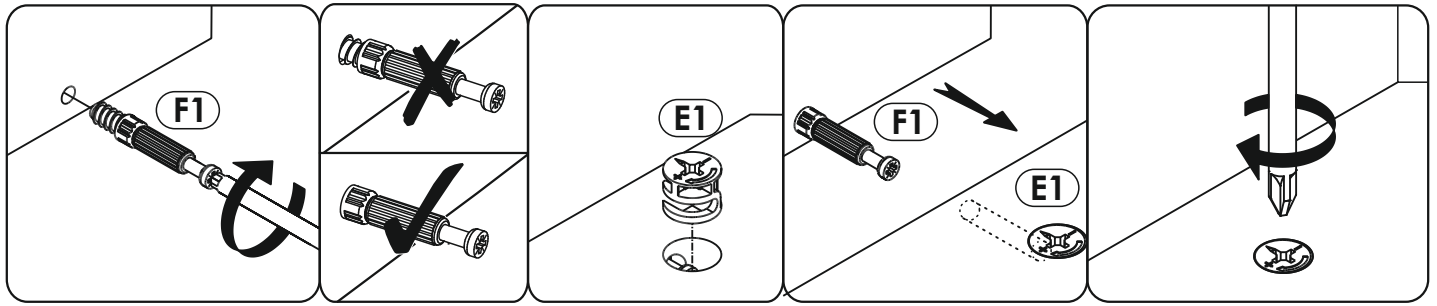


LYOT04

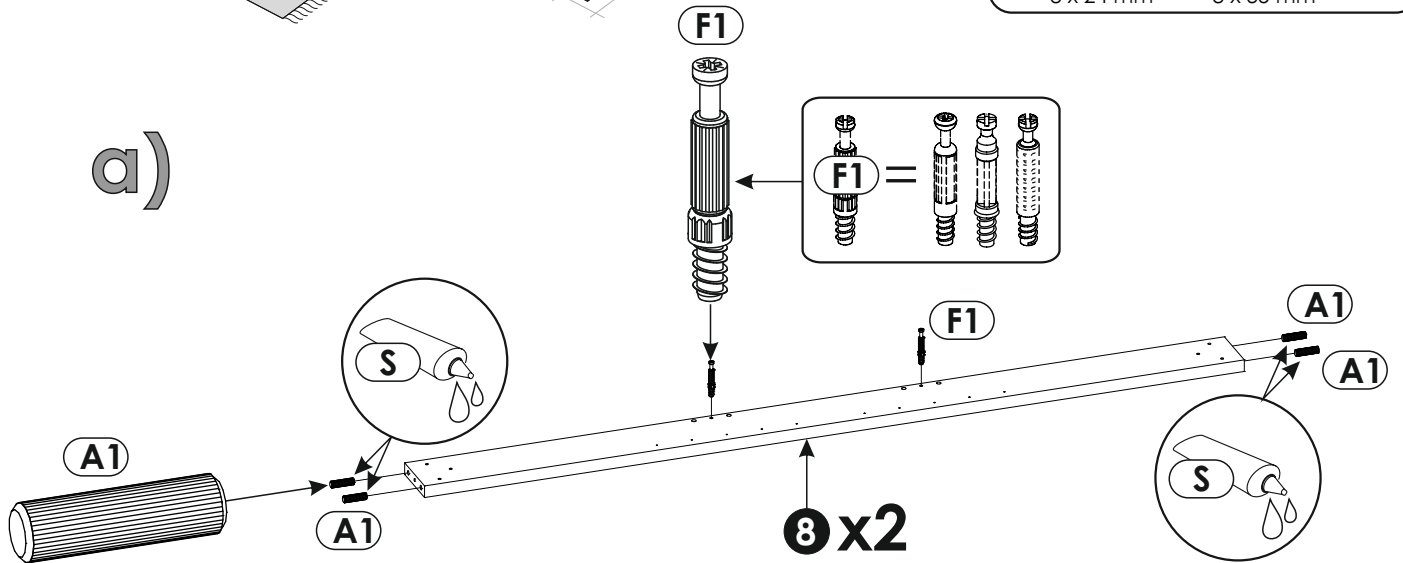


| | | | | | |
|----------|-----|-----|----|----|-----|
| 1 | 900 | 800 | 22 | x2 | 2/2 |
| 2 | 900 | 400 | 22 | x1 | 2/2 |
| 3 | 737 | 126 | 22 | x2 | 1/2 |
| 4 | 737 | 80 | 22 | x2 | 1/2 |
| 5 | 737 | 126 | 22 | x2 | 1/2 |

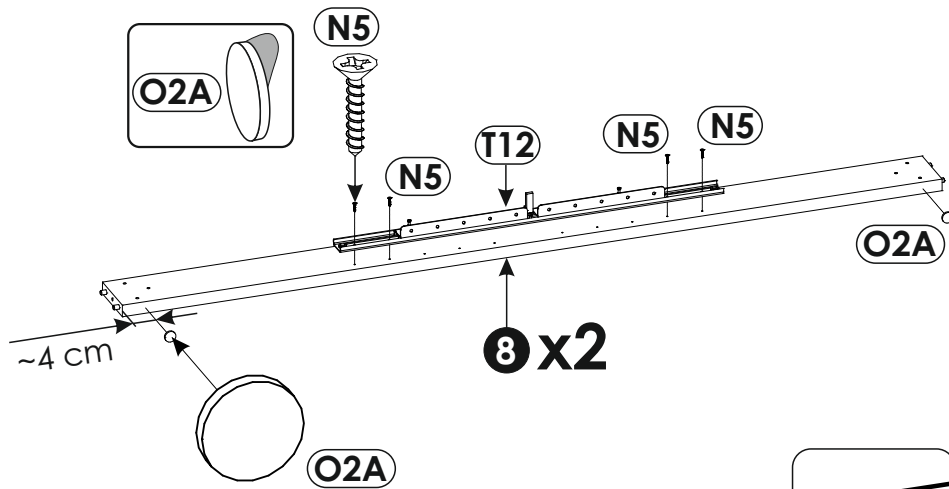
| | | | | | |
|----------|------|-----|----|----|-----|
| 6 | 737 | 80 | 22 | x2 | 1/2 |
| 7 | 846 | 100 | 22 | x2 | 1/2 |
| 8 | 1500 | 100 | 22 | x2 | 1/2 |
| 9 | 802 | 100 | 22 | x2 | 2/2 |



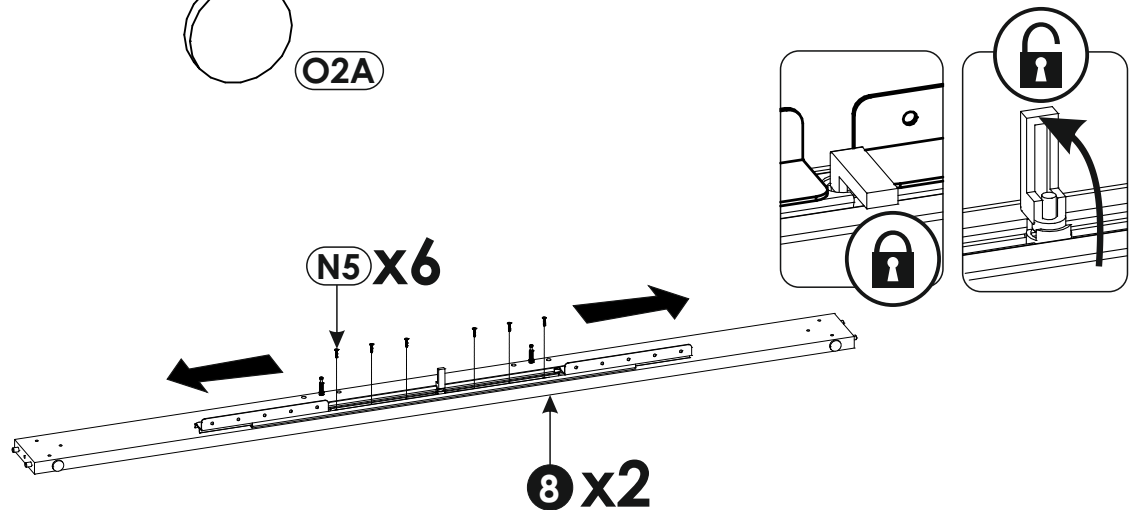
a)

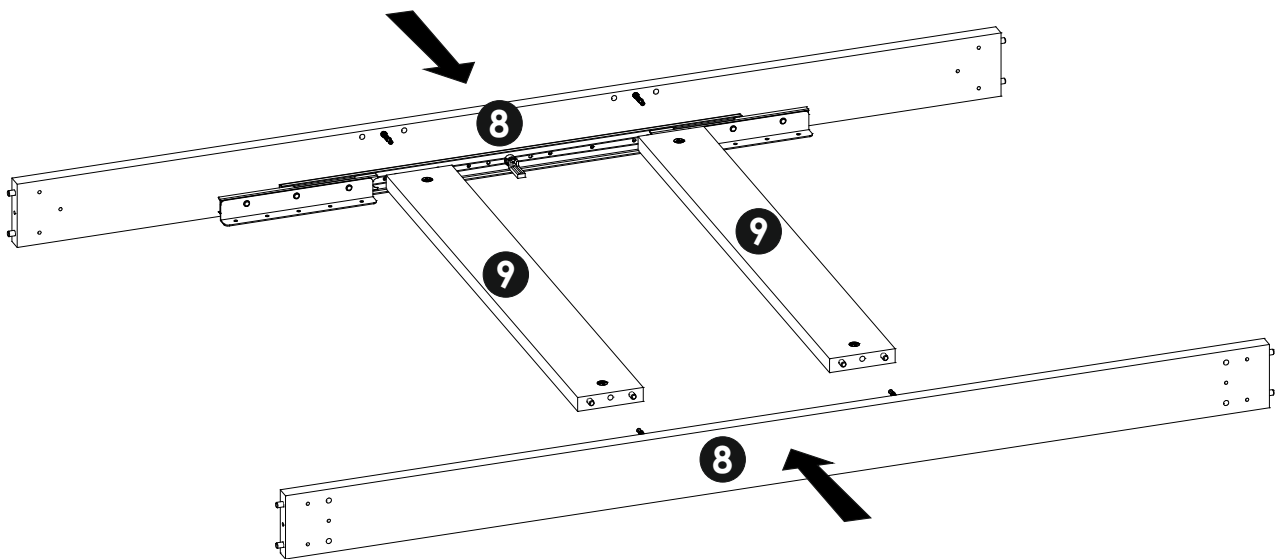
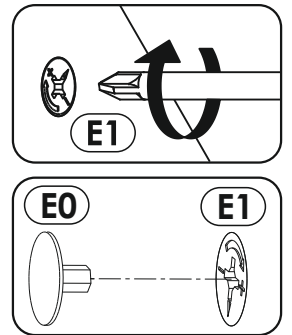
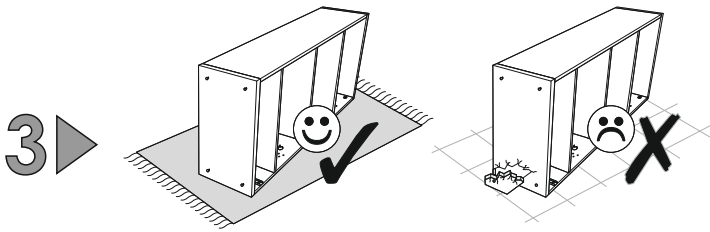
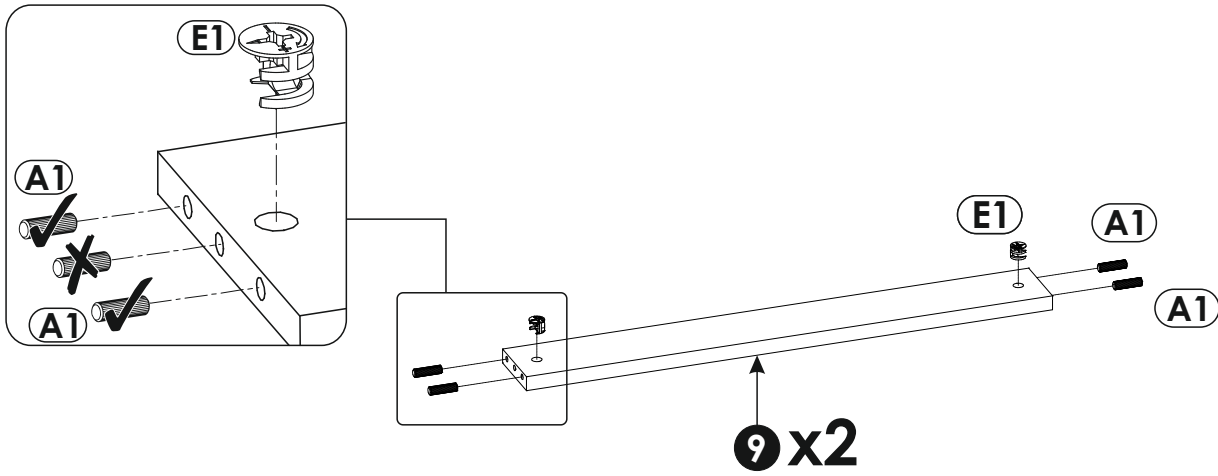
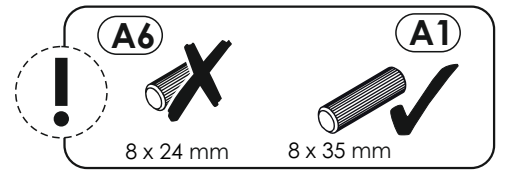
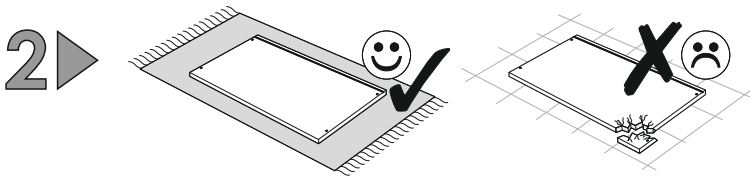


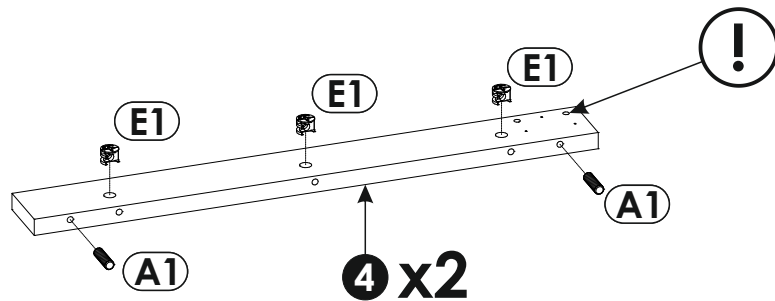
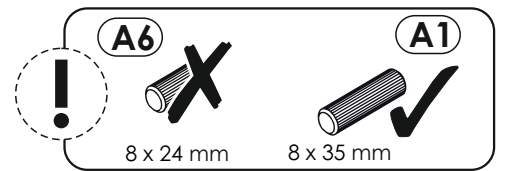
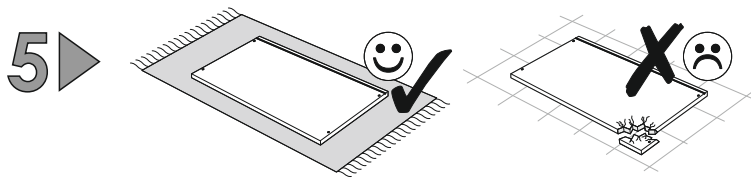
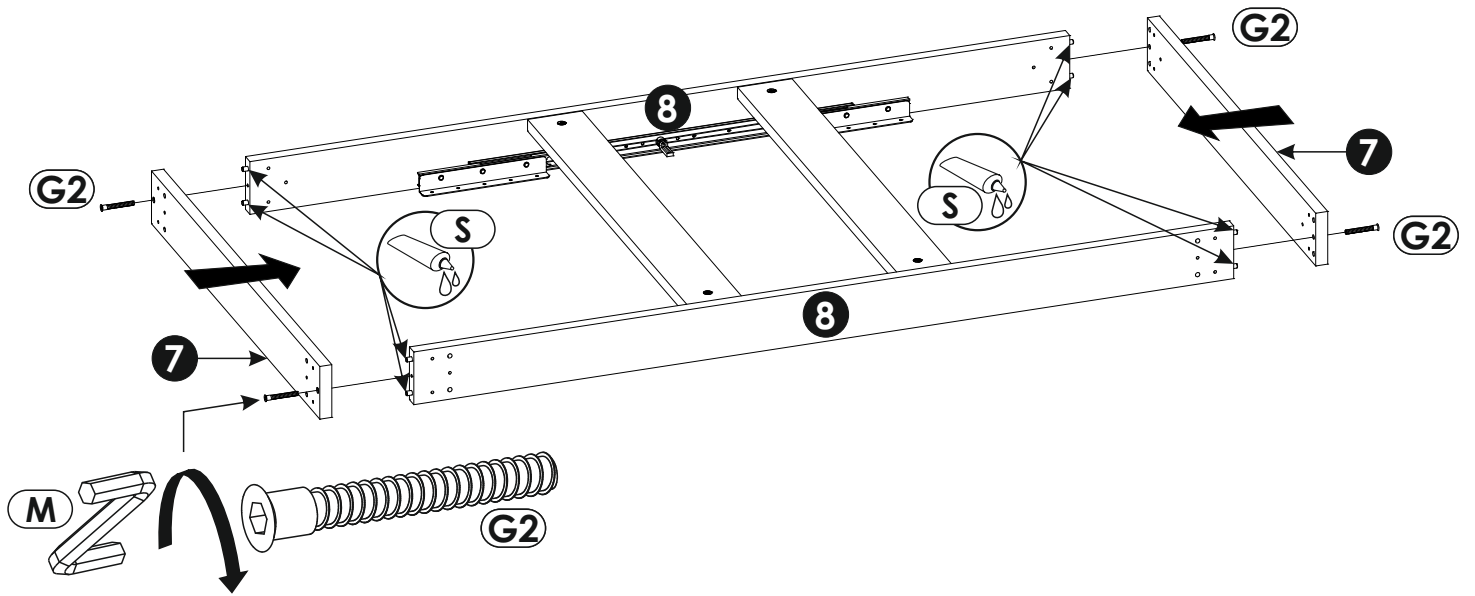
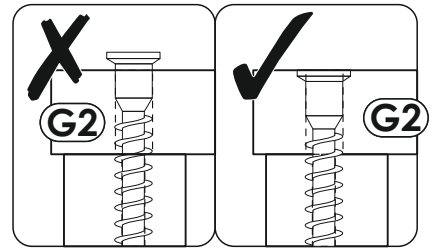
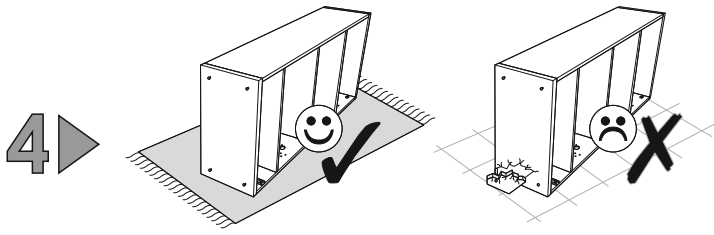
b)

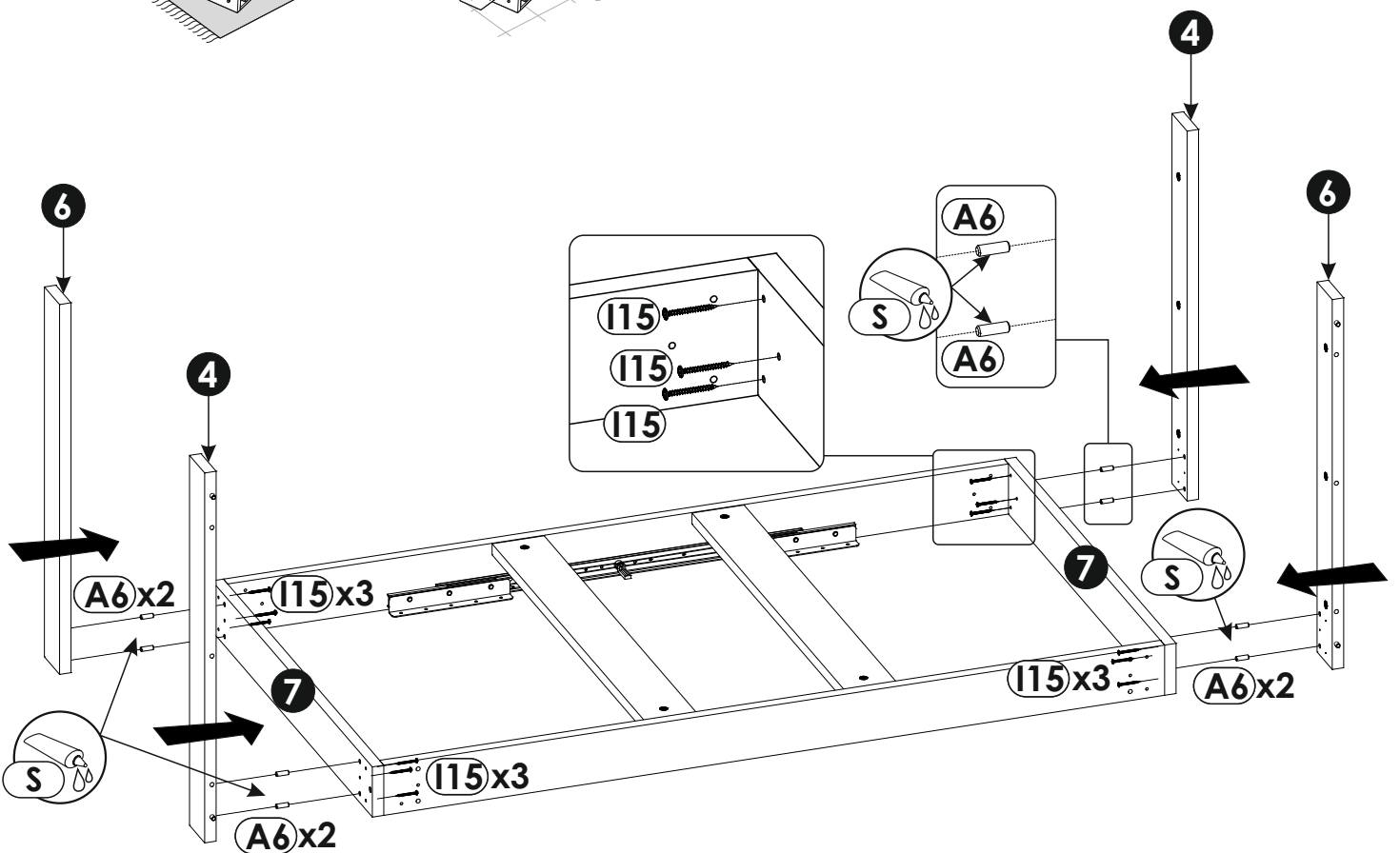
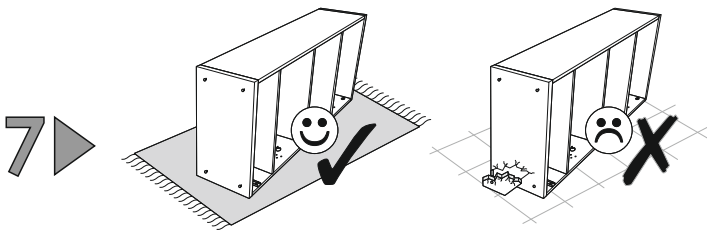
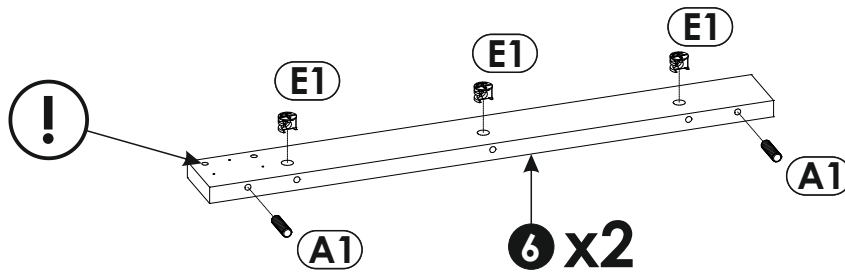
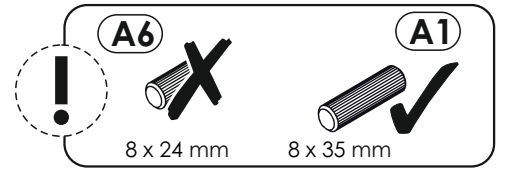
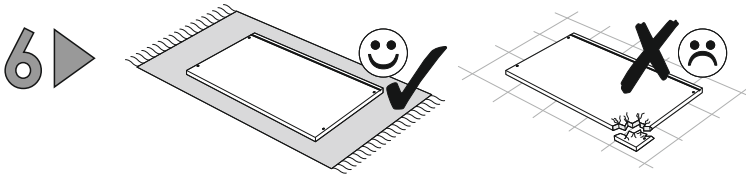


c)

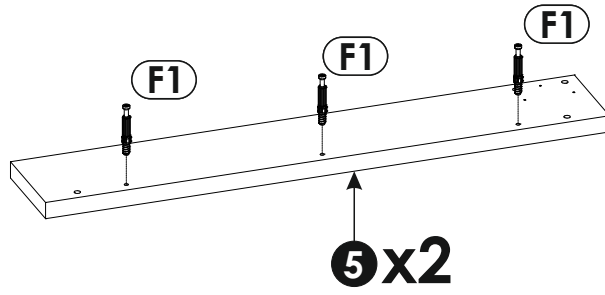
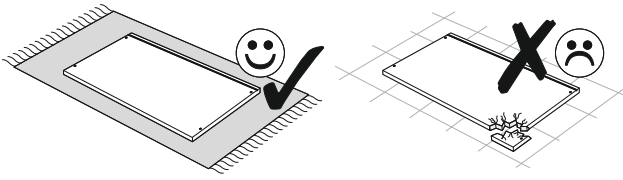




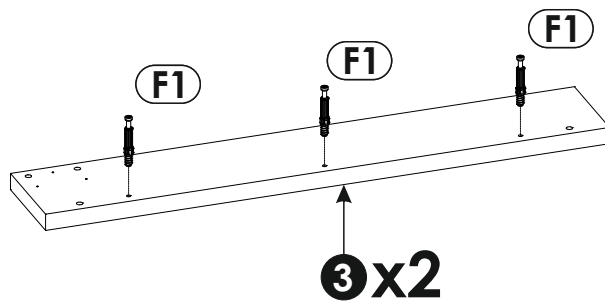
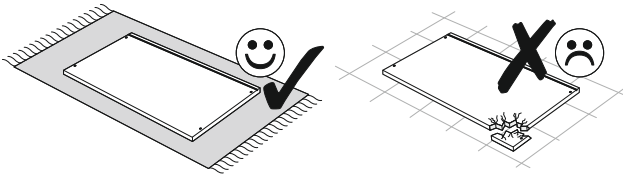




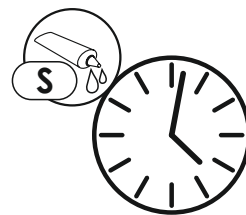
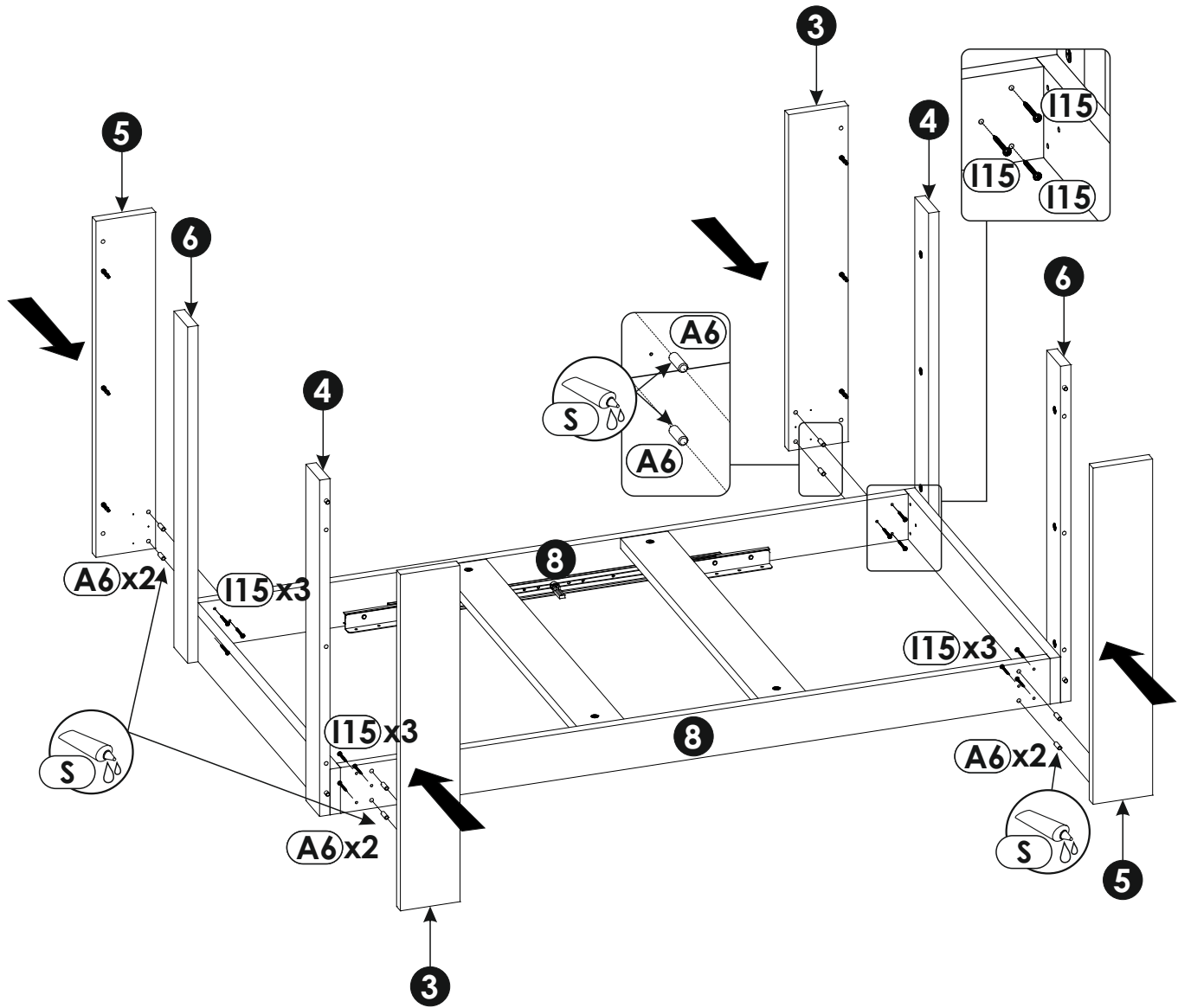
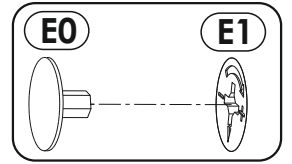
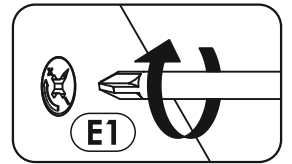
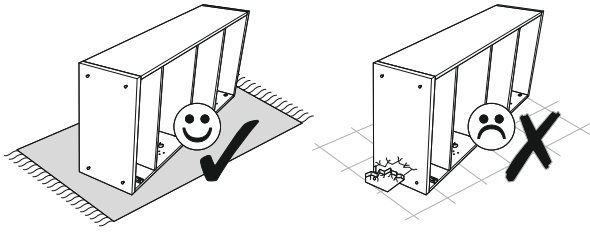
8 ▶



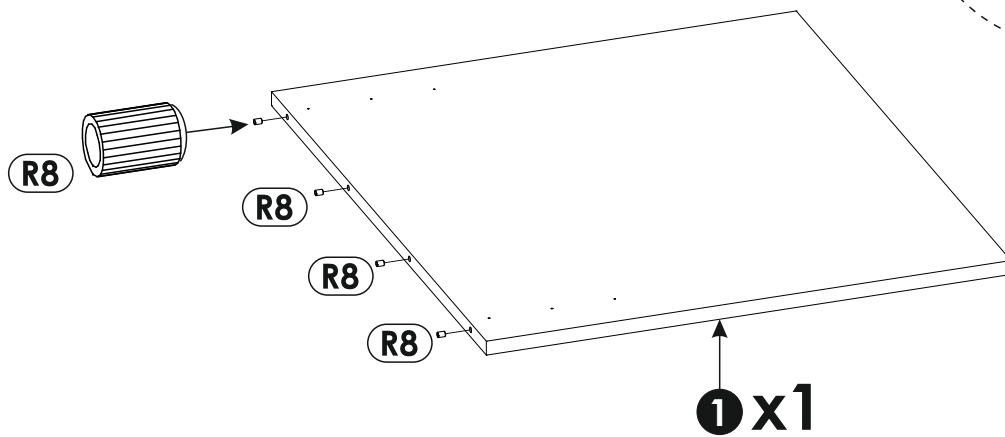
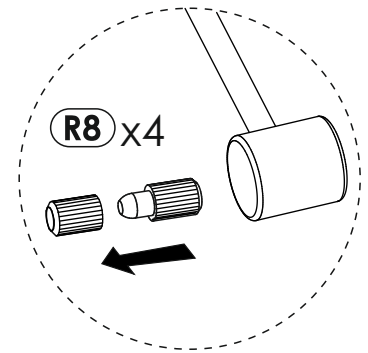
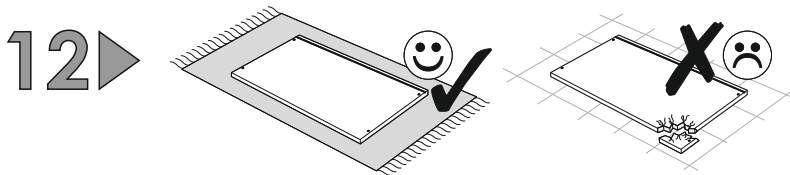
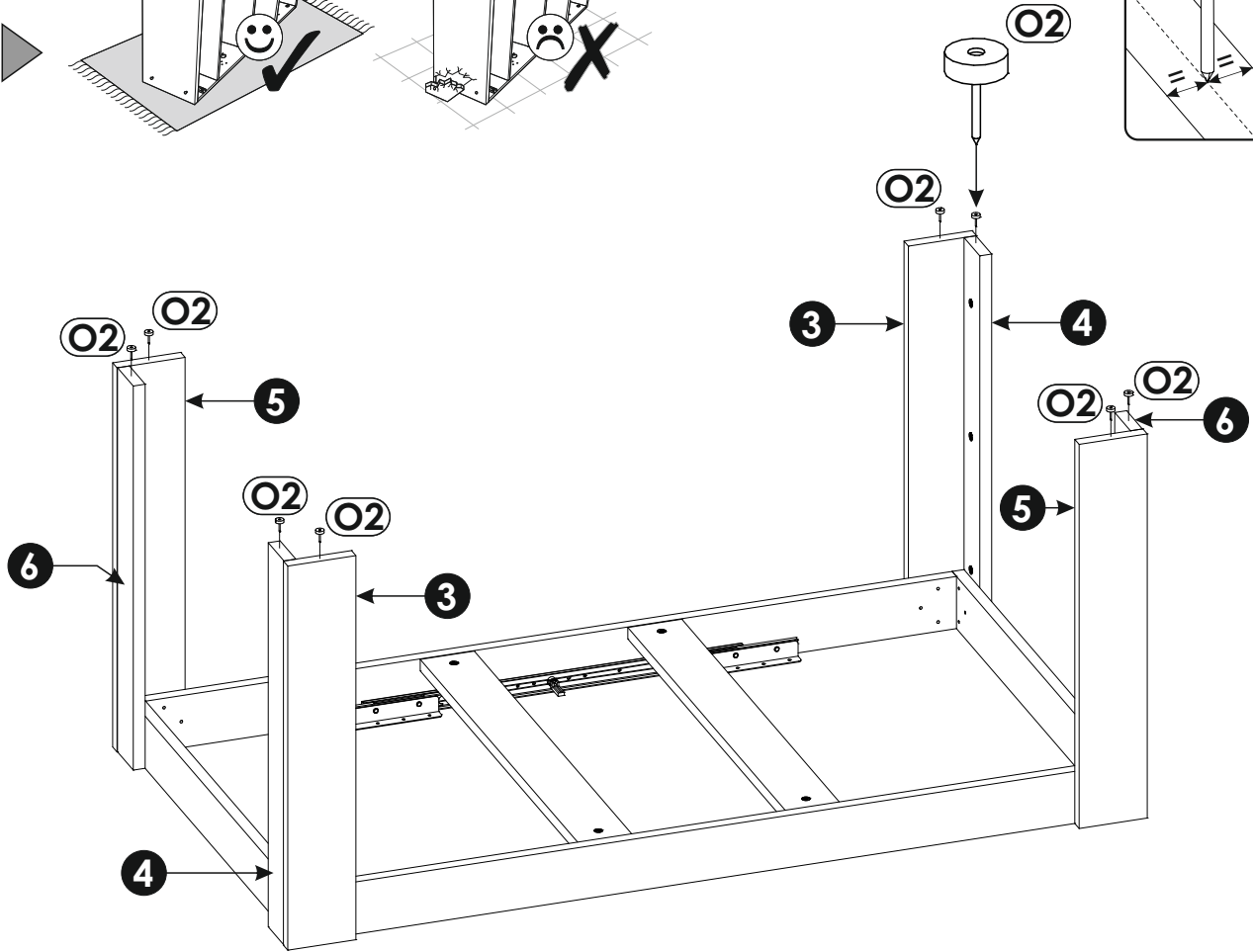
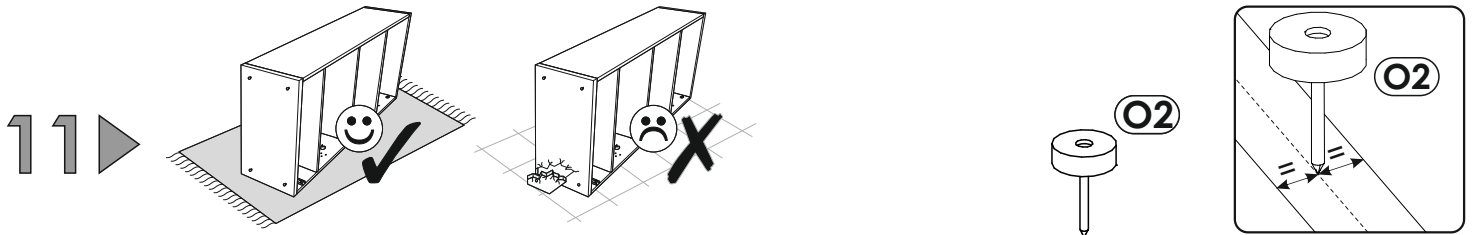
9 ▶



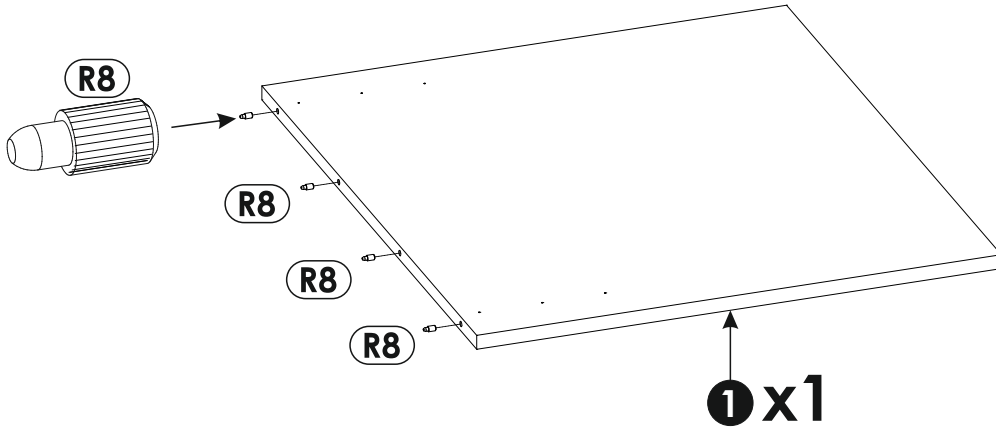
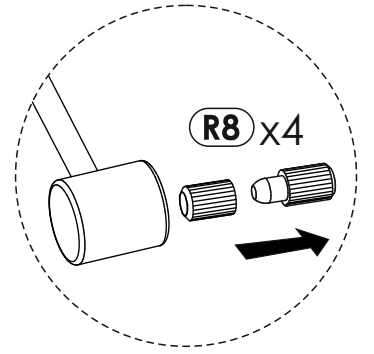
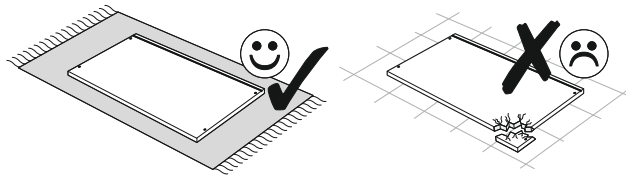
10 ▶



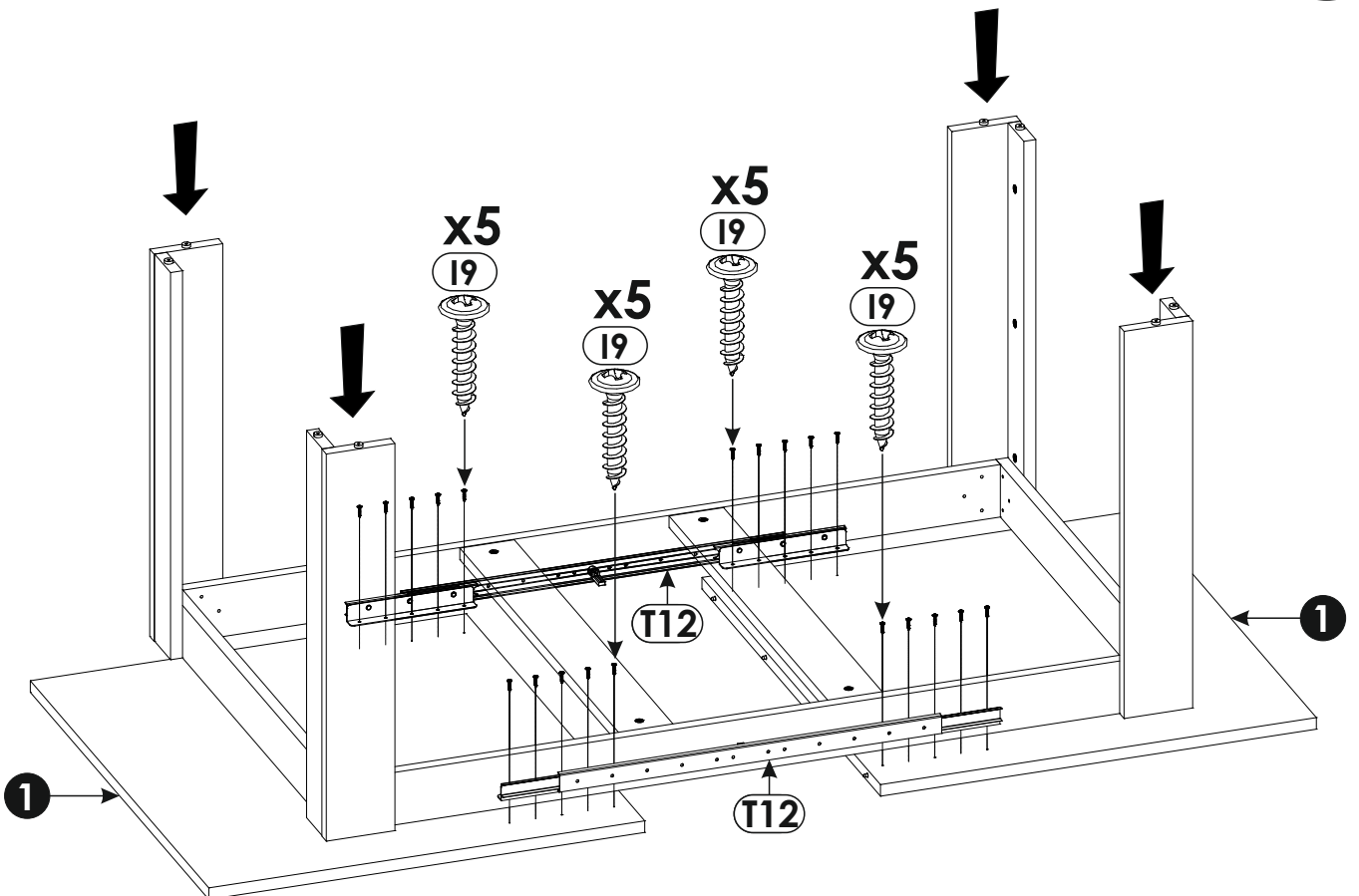
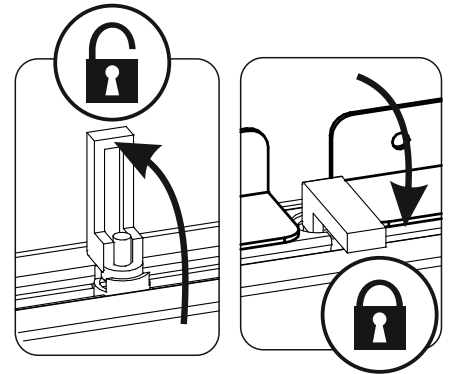
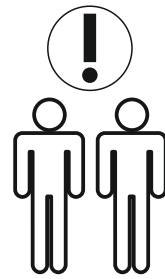
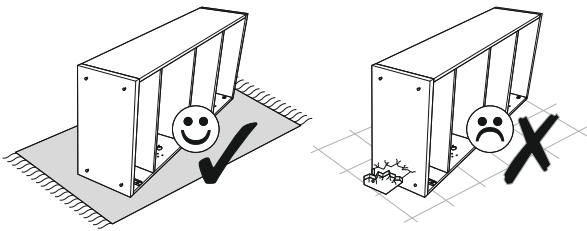
30 MIN



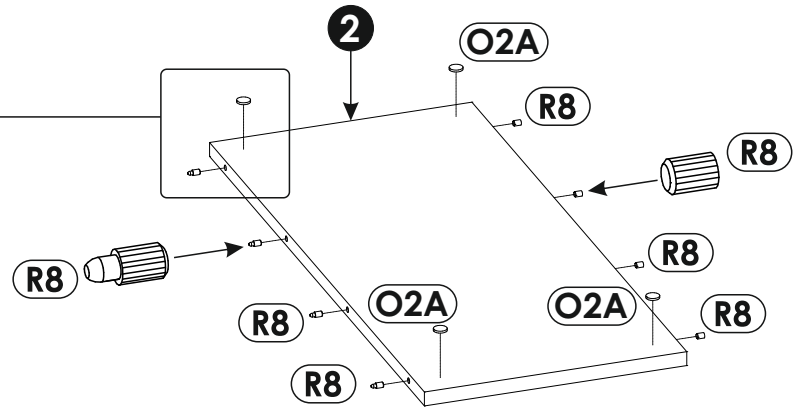
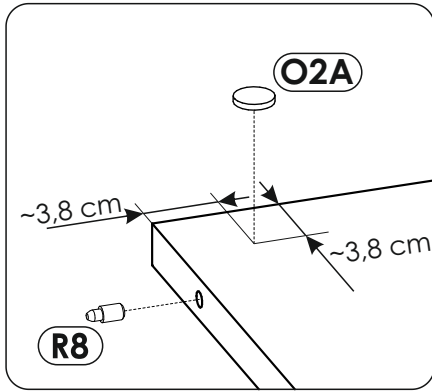
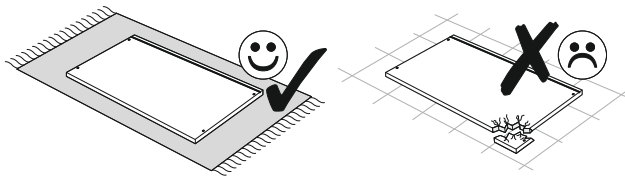
13 ▶



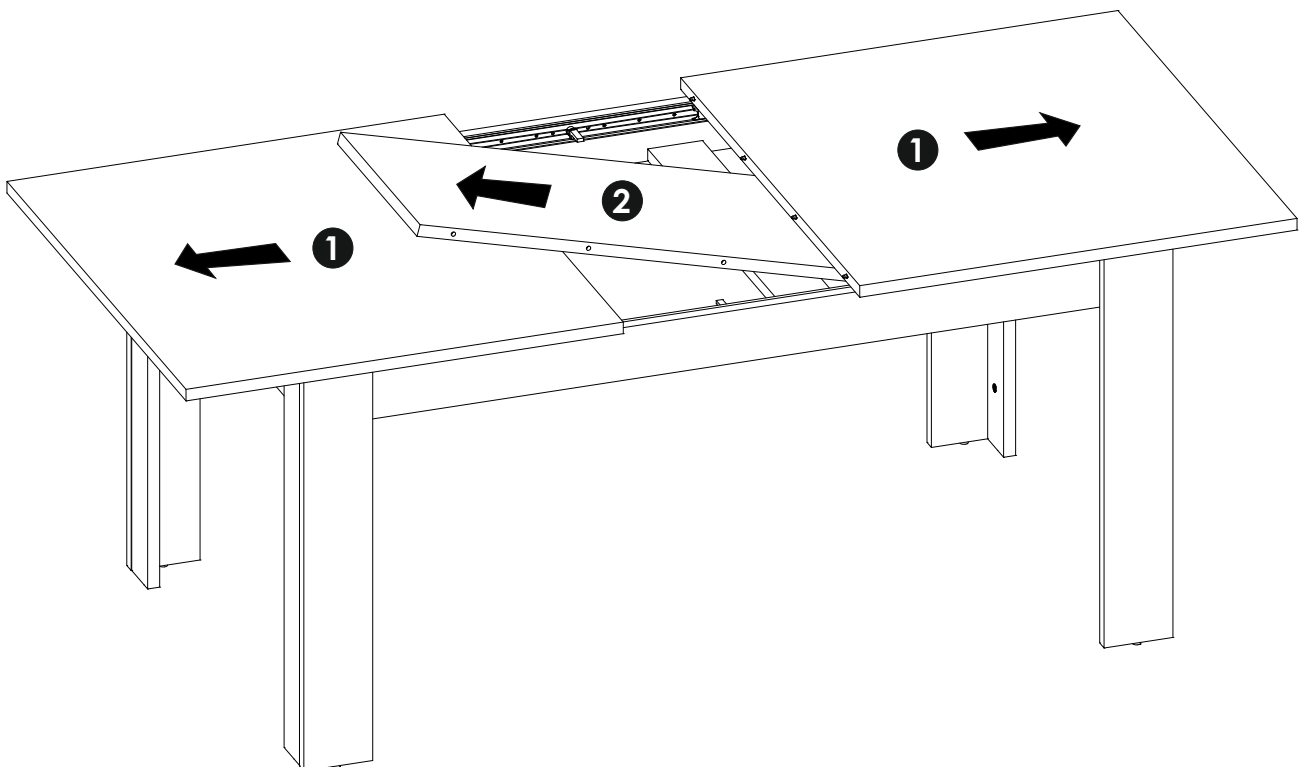
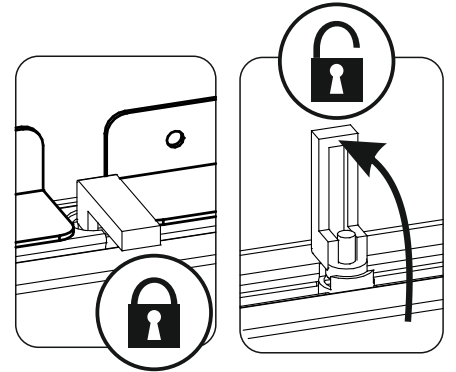
14 ▶



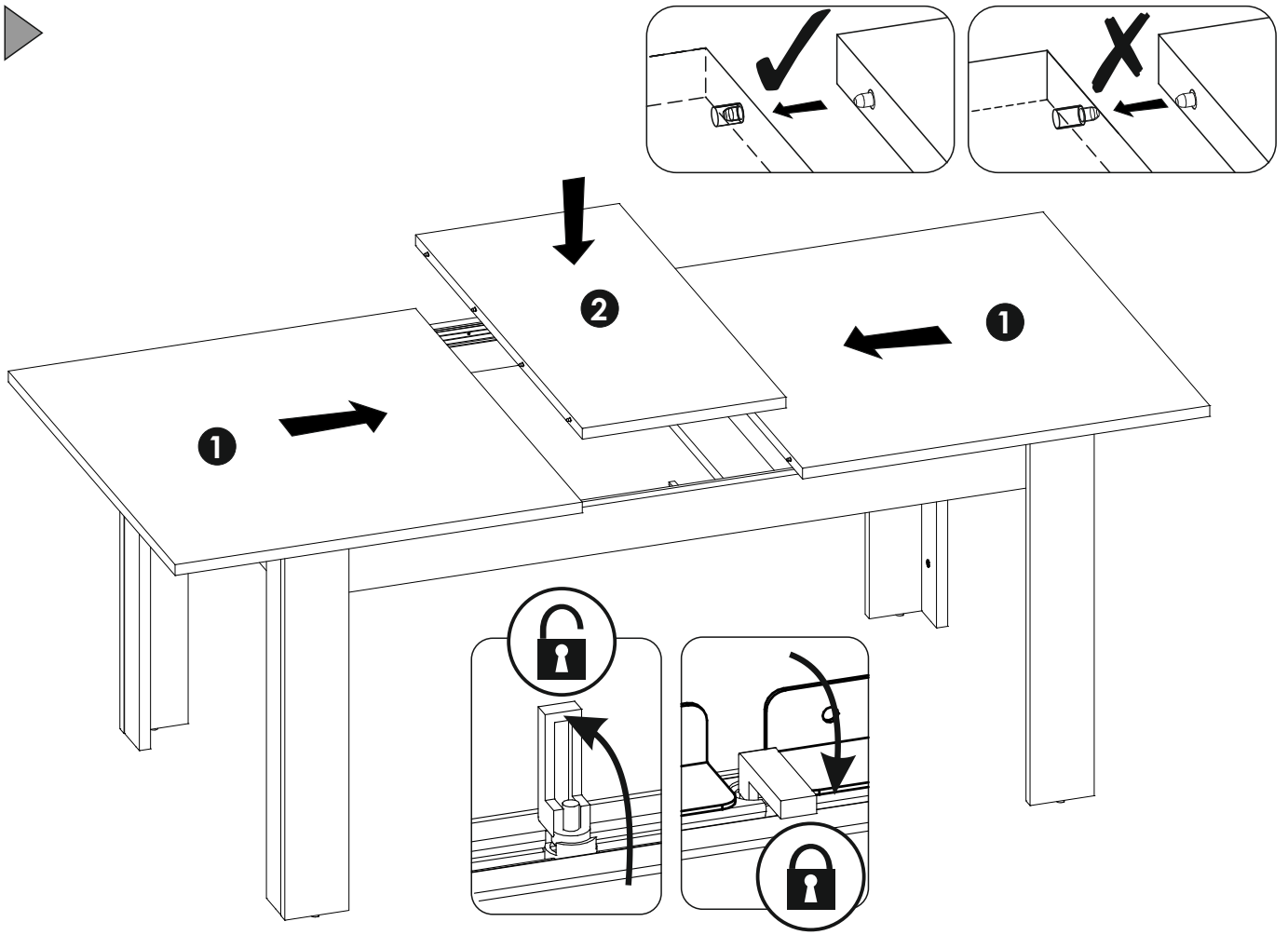
15 ▶



16 ▶



17▶



18▶

