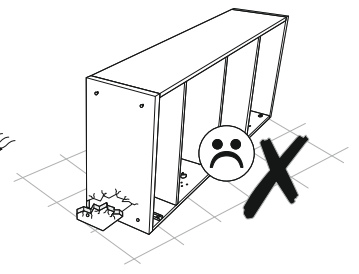
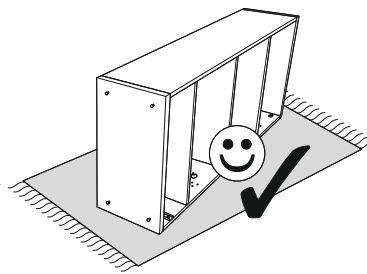
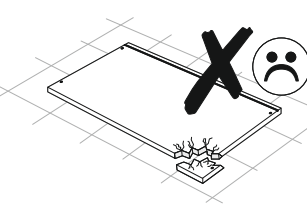
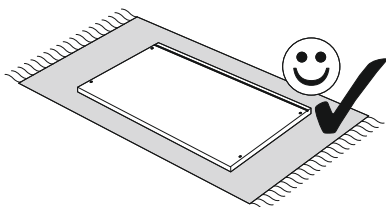
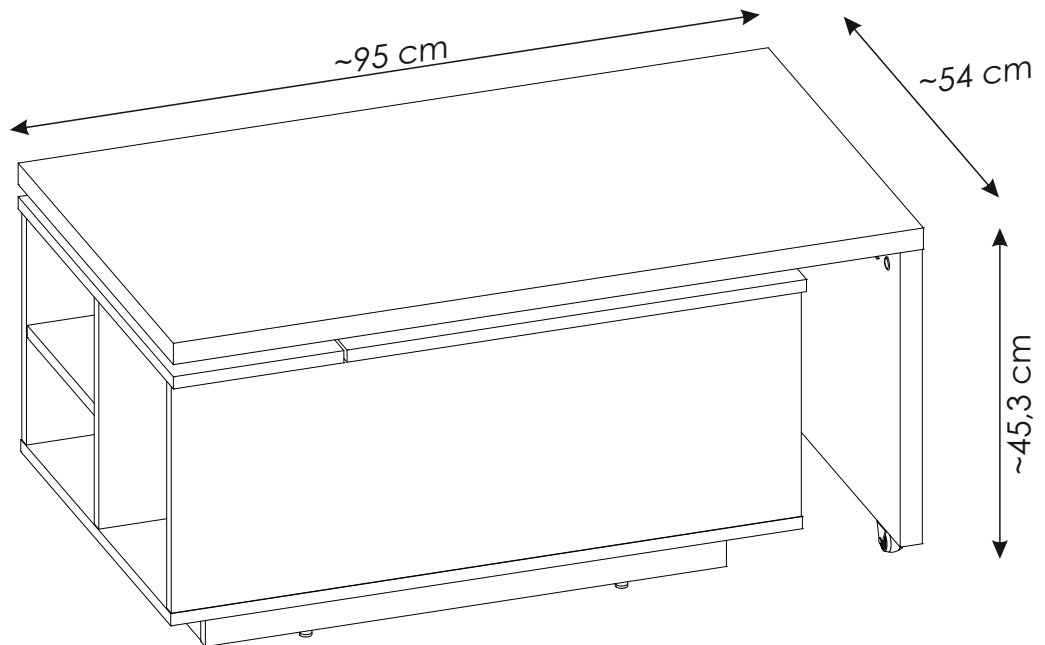
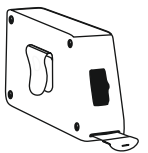
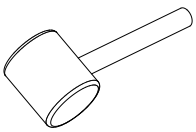
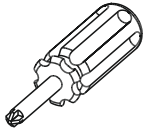
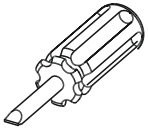
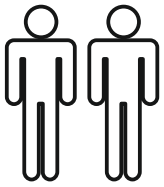
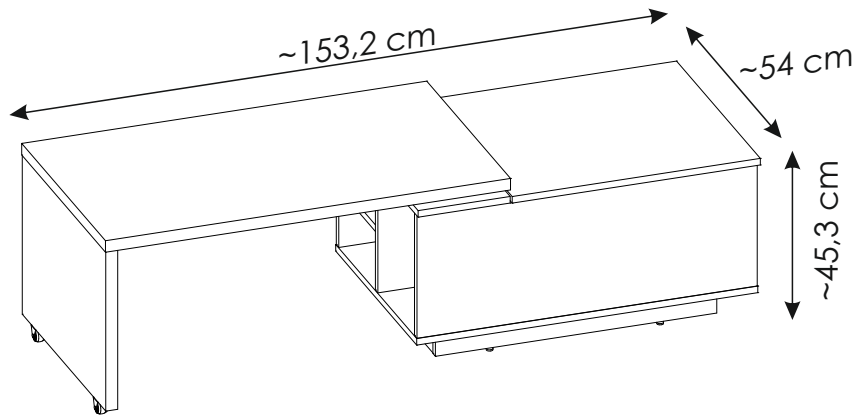
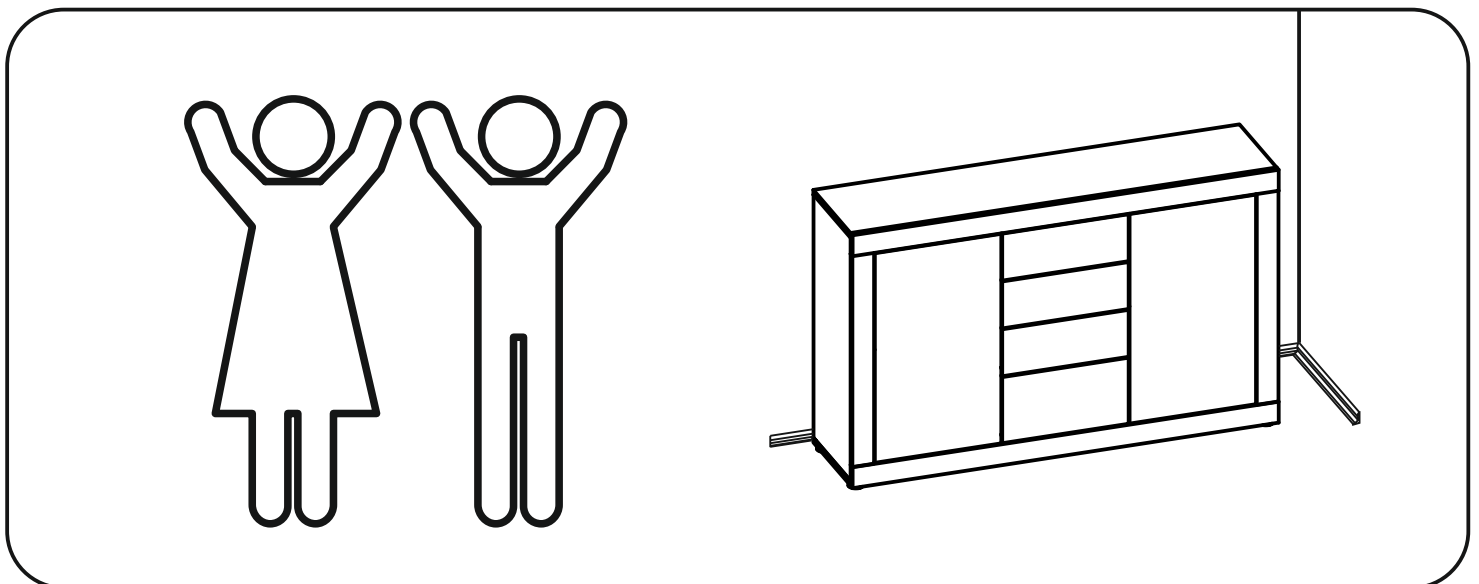
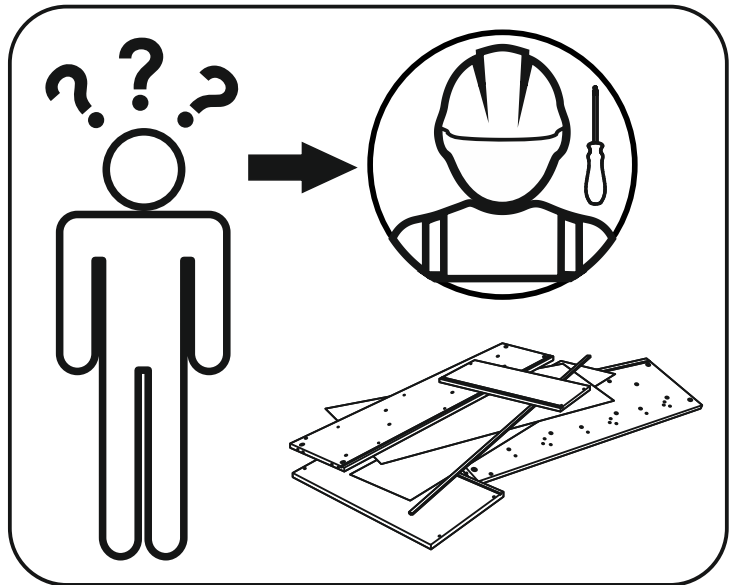
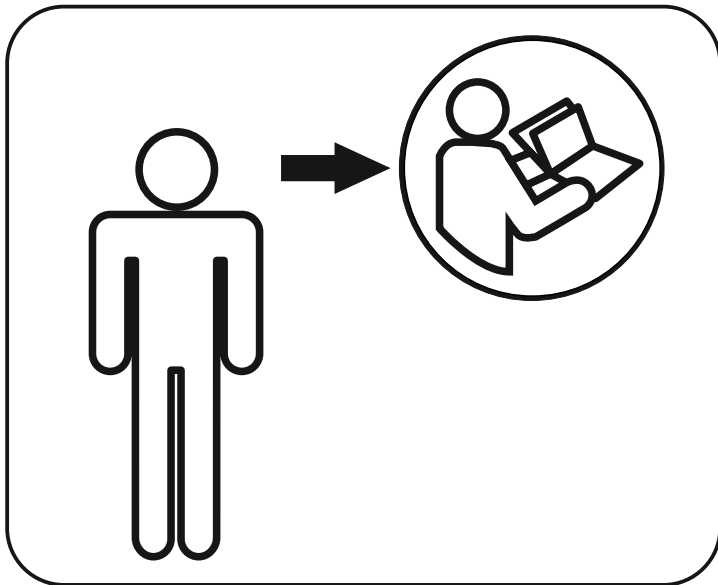
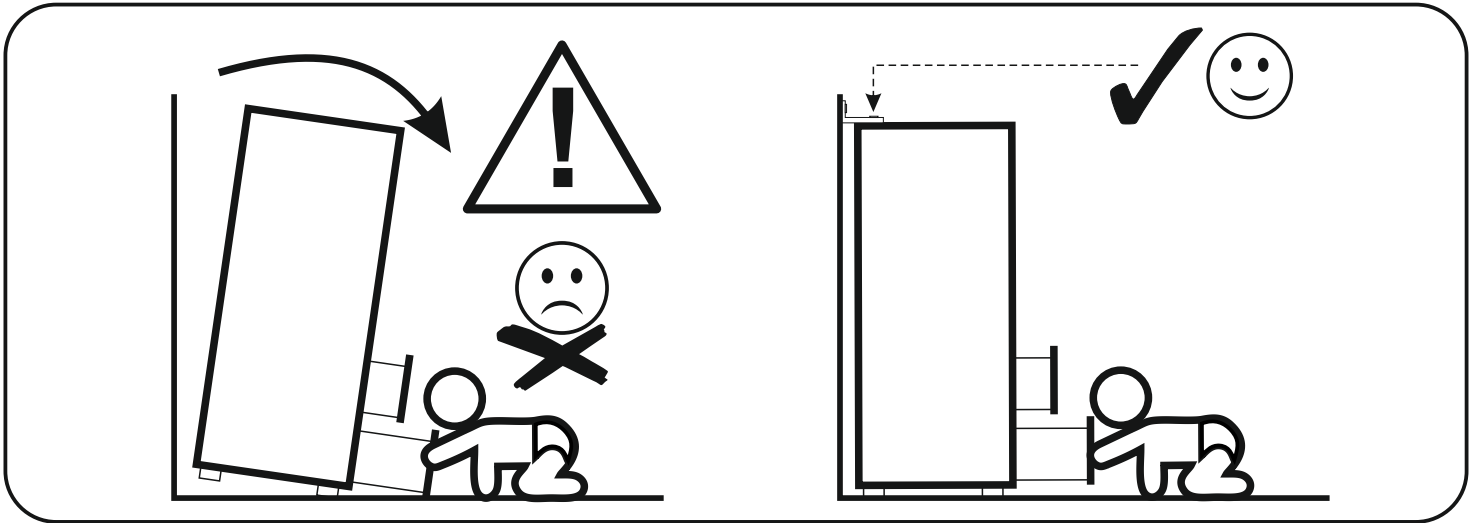
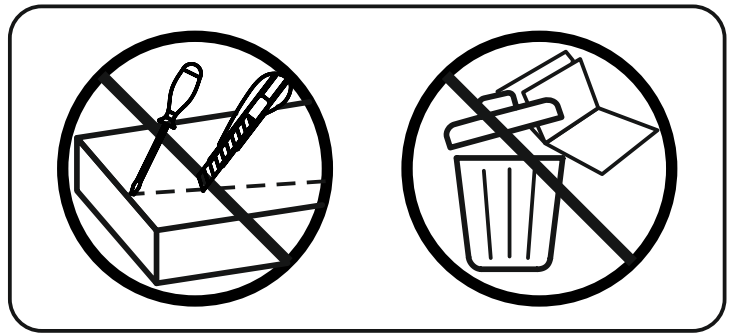
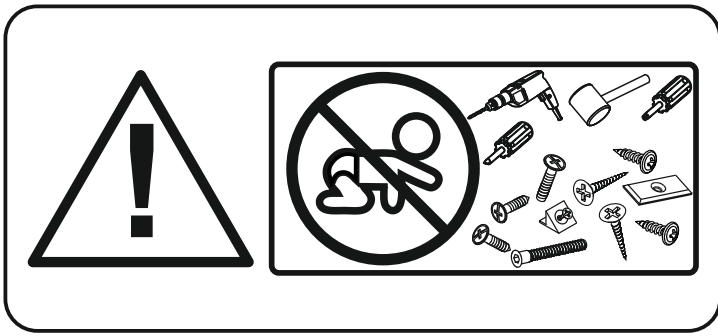
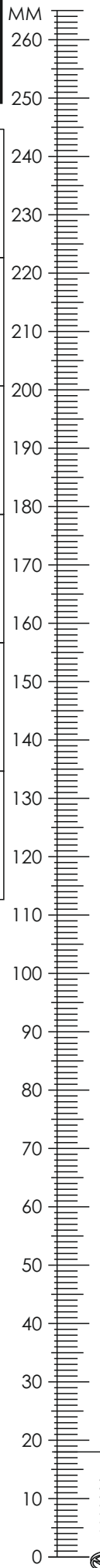


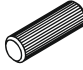
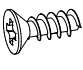
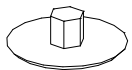

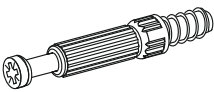

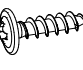
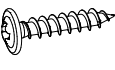
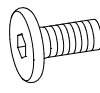
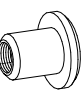
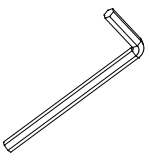
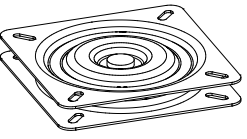
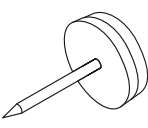
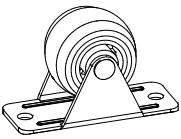
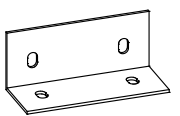
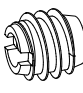
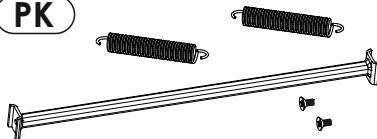
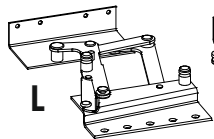
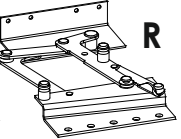
# MALCOM



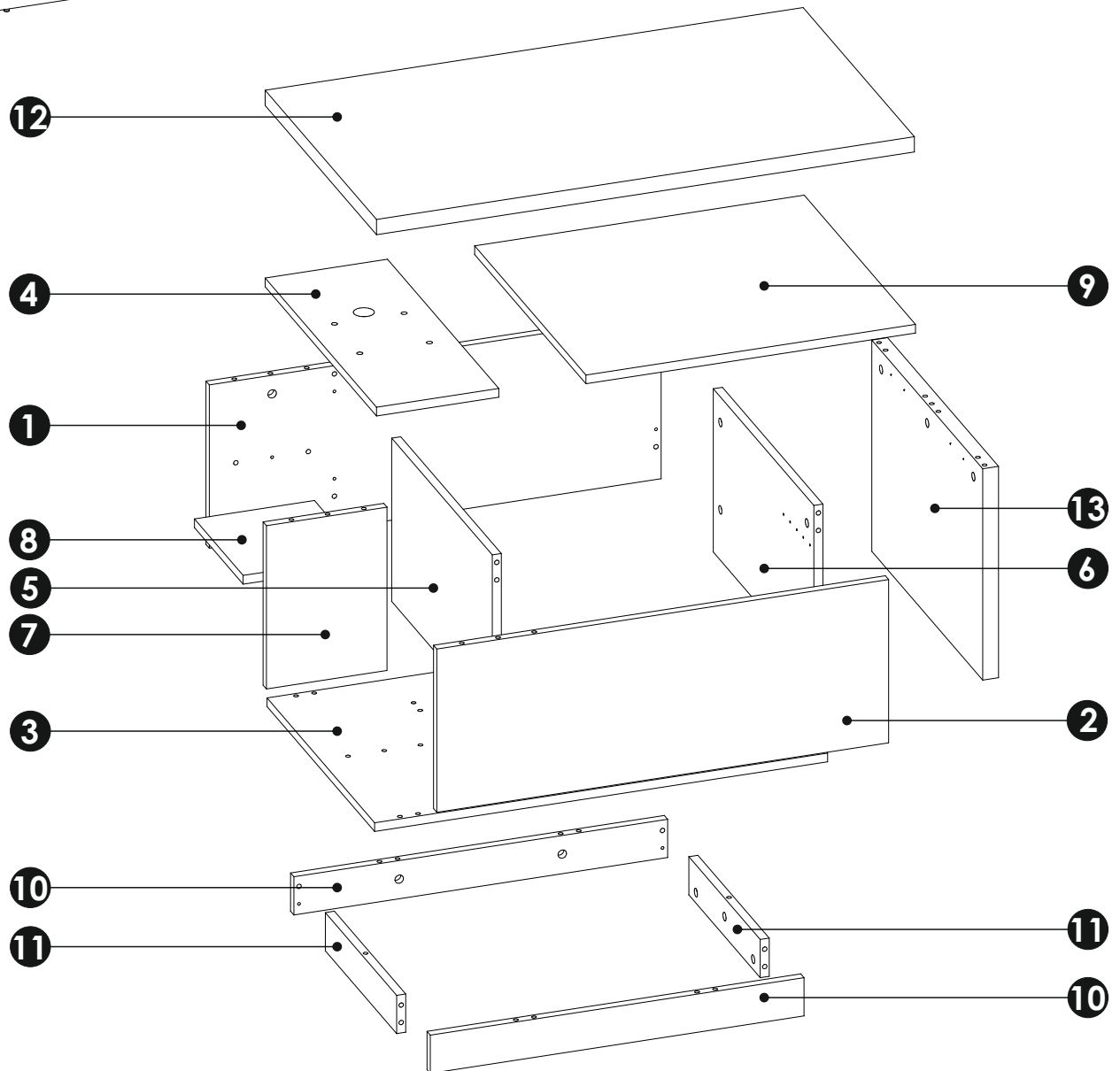
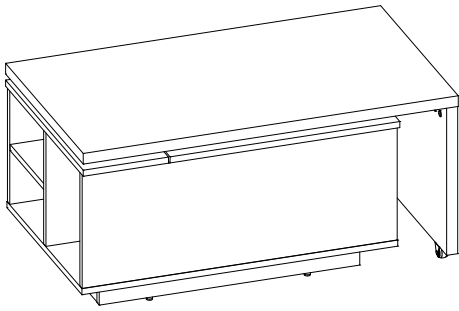


# MALCOM



<b>A1</b> 8 x 35 mm x40 	<b>C2</b> 5 x 13 mm x18 	<b>E0</b> Ø16 x14 
<b>E1</b> 15 x 12 mm x26 	<b>F1</b> 6 x 34 mm x26 	<b>G1</b> 7 x 50 mm x11 
<b>I2</b> 4 x 16 mm x4 	<b>I9</b> 4 x 20 mm x8 	<b>K17</b> 6 x 12 mm x8 
<b>K20</b> 6 x 10 mm x4 	<b>M</b> x2 	<b>OB</b> x1 
<b>O2</b> x6 	<b>O7</b> x2 	<b>Q6</b> x2 
<b>S19</b> x4 	<b>PK</b>  <b>L</b>  <b>R</b>  x1	

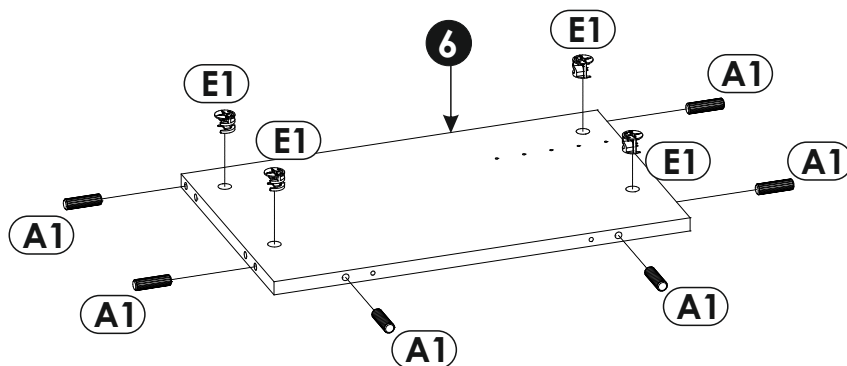
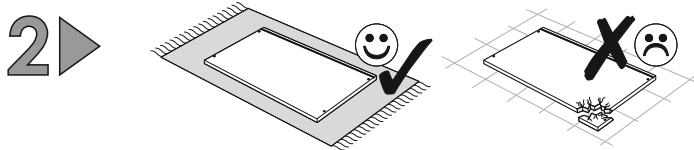
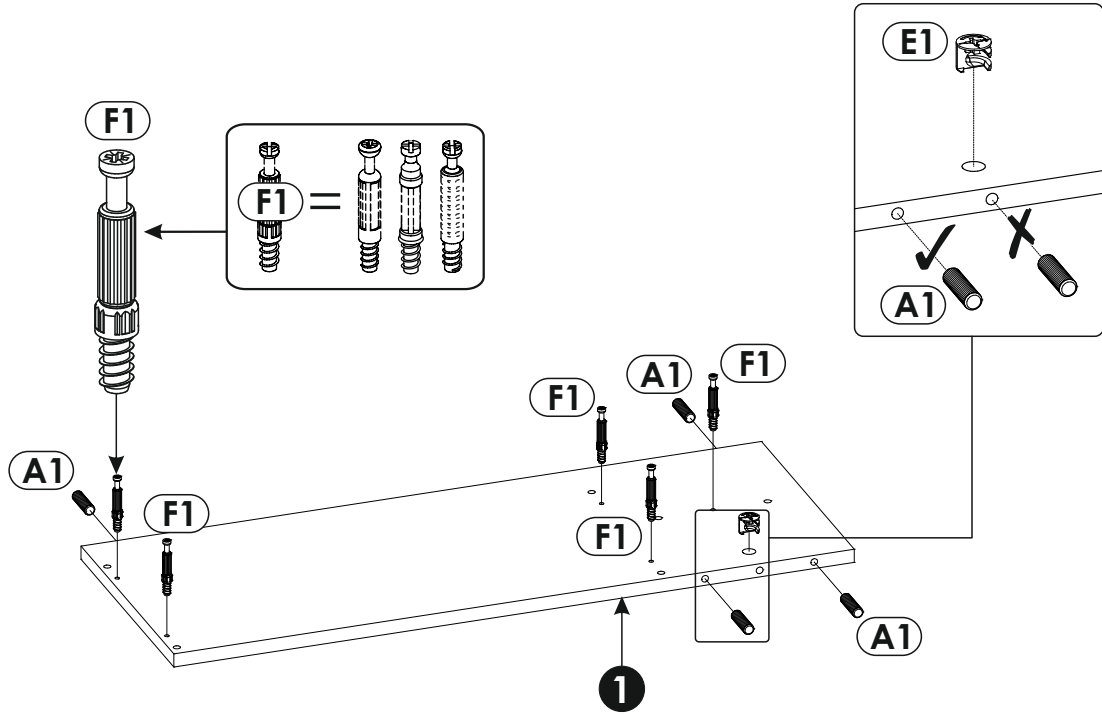
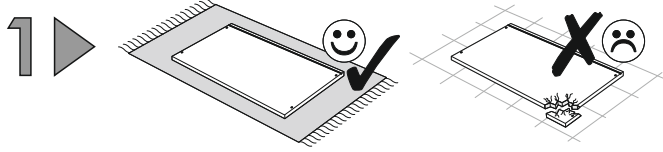
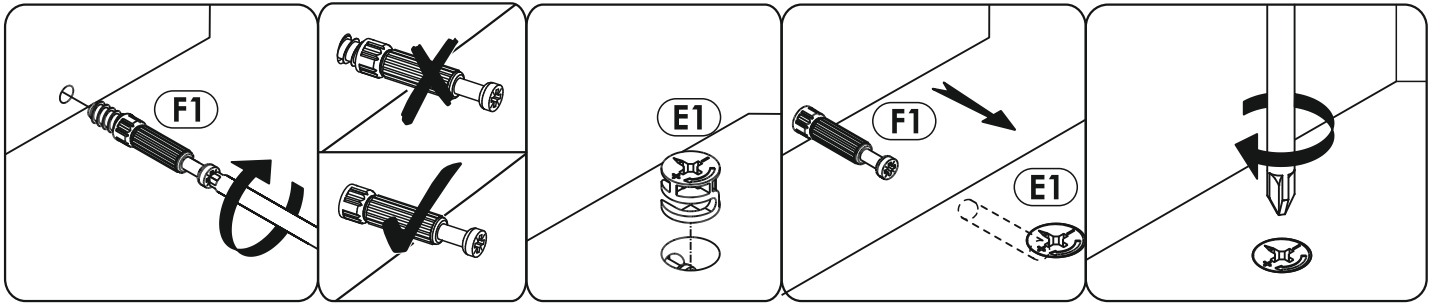
# MALCOM

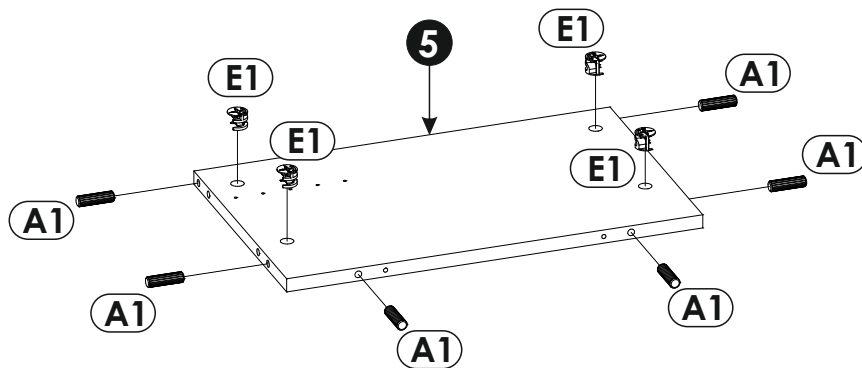
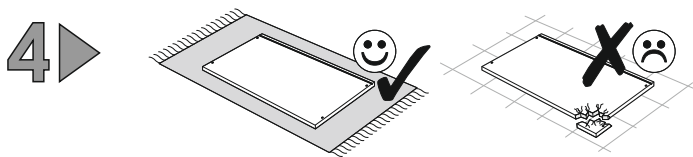
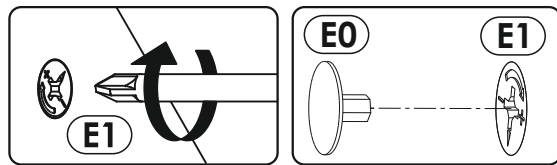
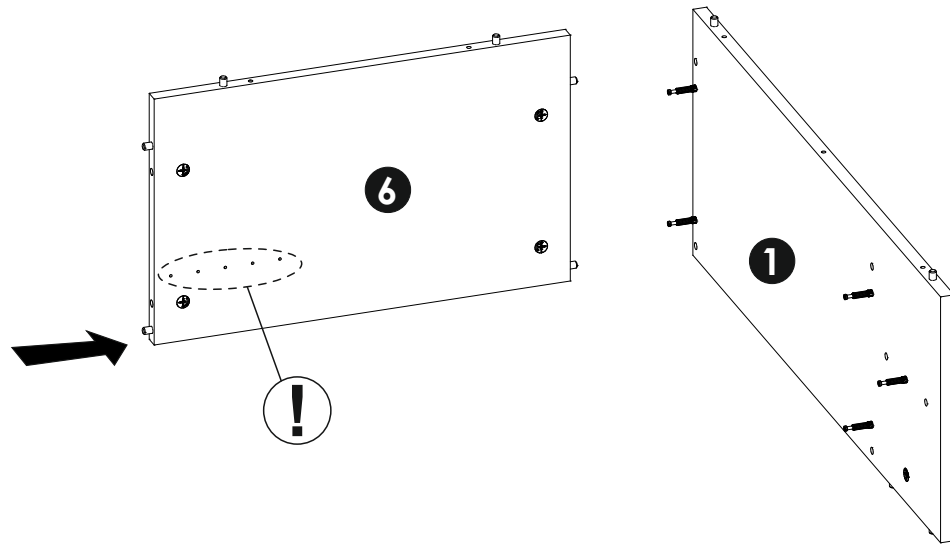
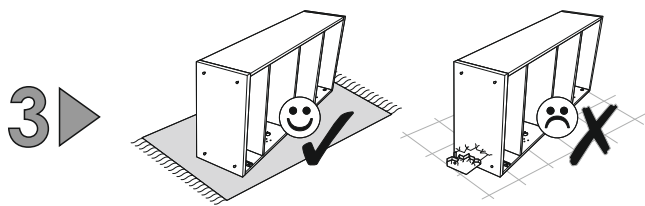


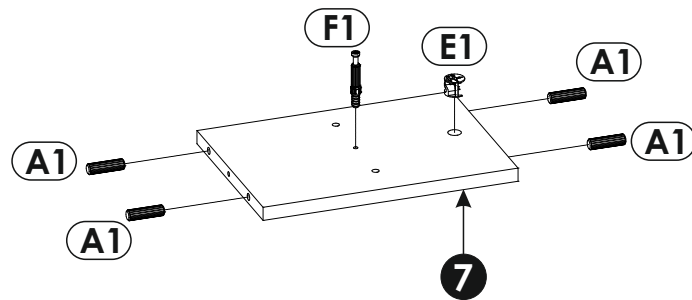
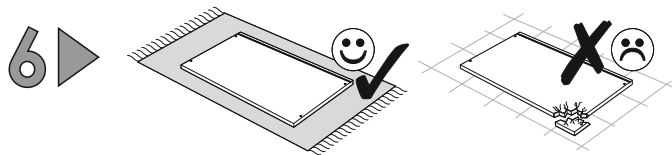
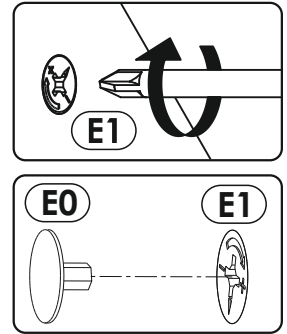
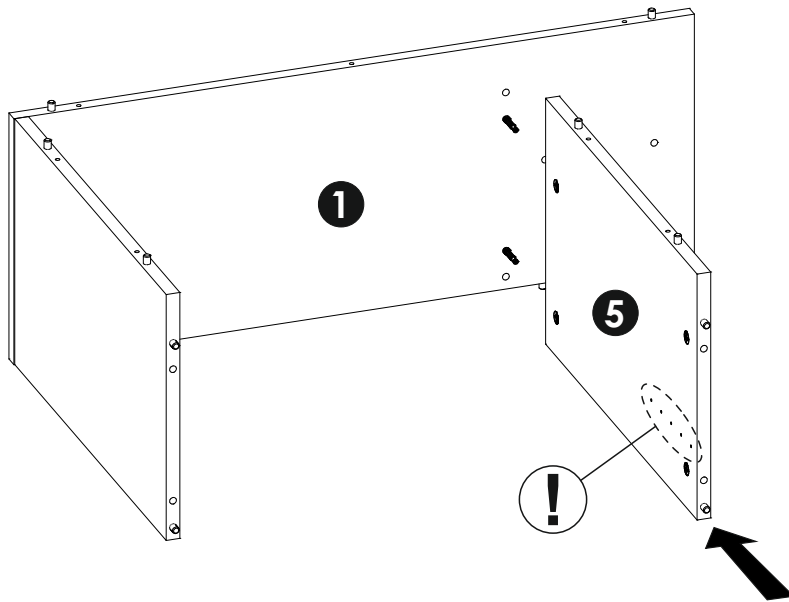
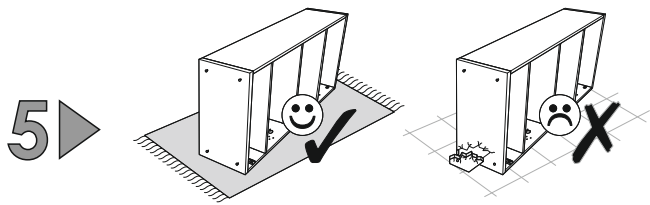
<b>1</b>	798	299	16	x1	1/2
<b>2</b>	798	299	16	x1	1/2
<b>3</b>	800	522	16	x1	1/2
<b>4</b>	216	540	16	x1	2/2

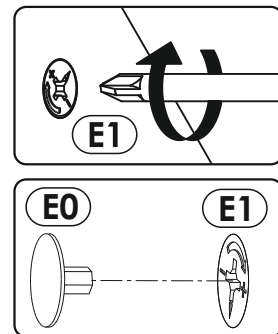
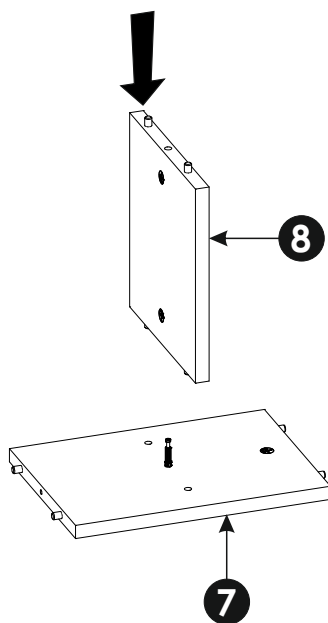
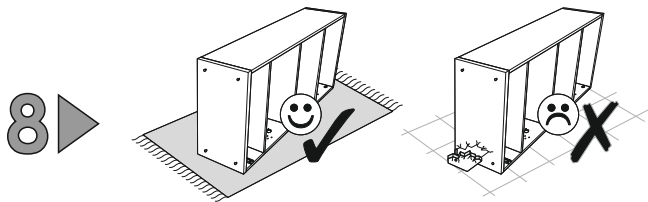
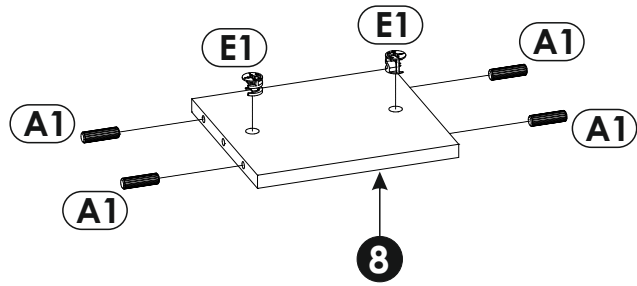
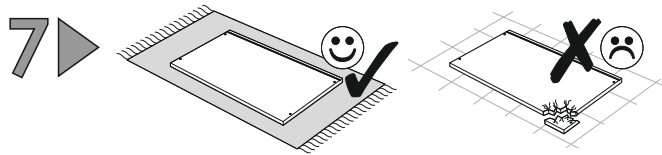
<b>5</b>	488	299	16	x1	1/2
<b>6</b>	488	299	16	x1	1/2
<b>7</b>	299	213	16	x1	1/2
<b>8</b>	236	212	16	x1	1/2

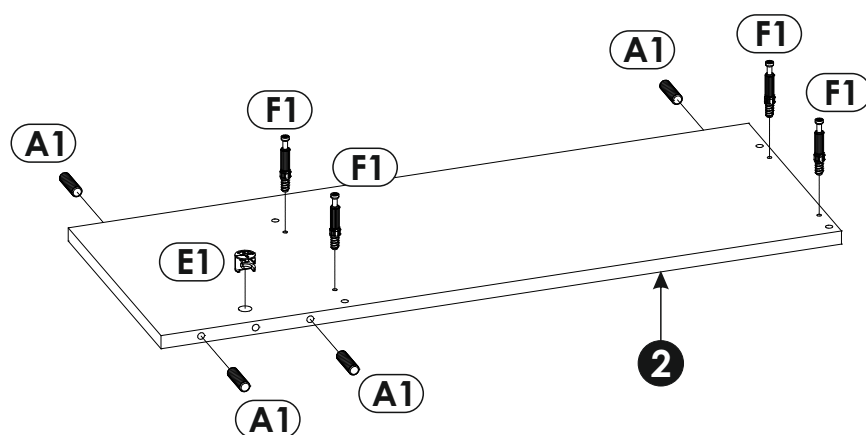
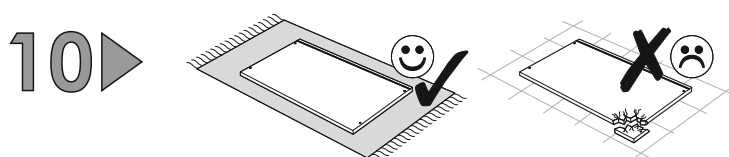
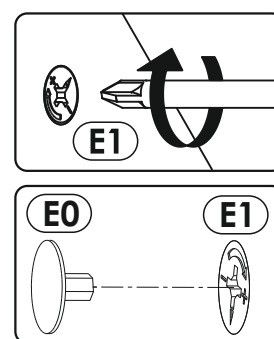
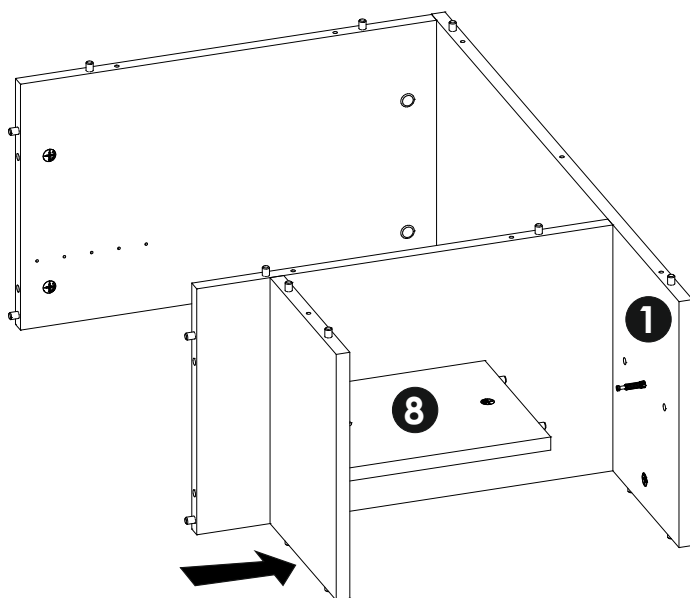
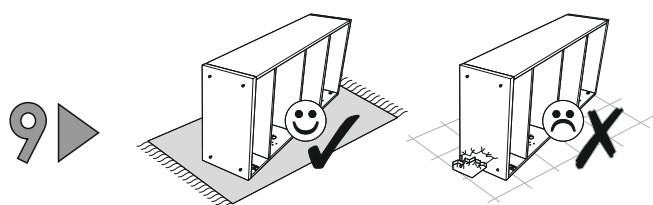
<b>9</b>	540	582	16	x1	2/2
<b>10</b>	660	70	16	x2	1/2
<b>11</b>	346	70	16	x2	1/2
<b>12</b>	950	540	28	x1	2/2
<b>13</b>	387	538	28	x1	2/2

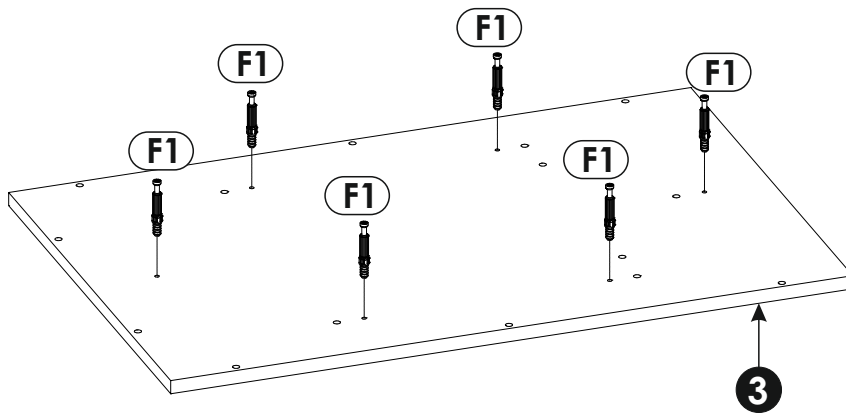
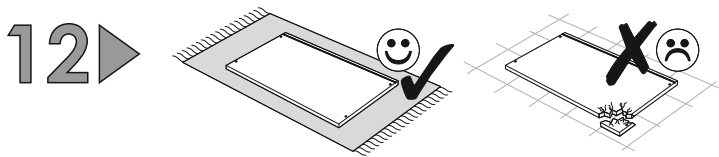
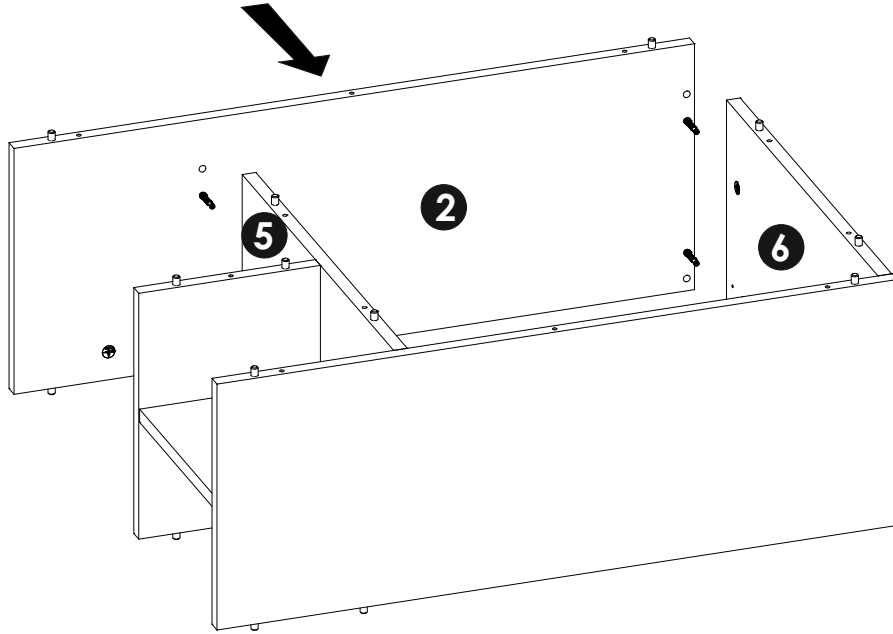
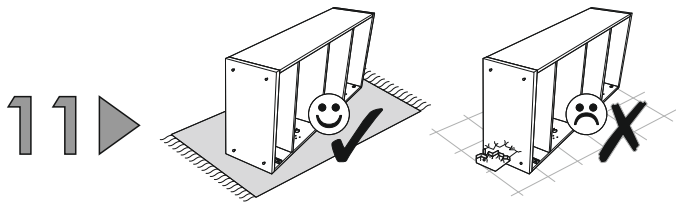




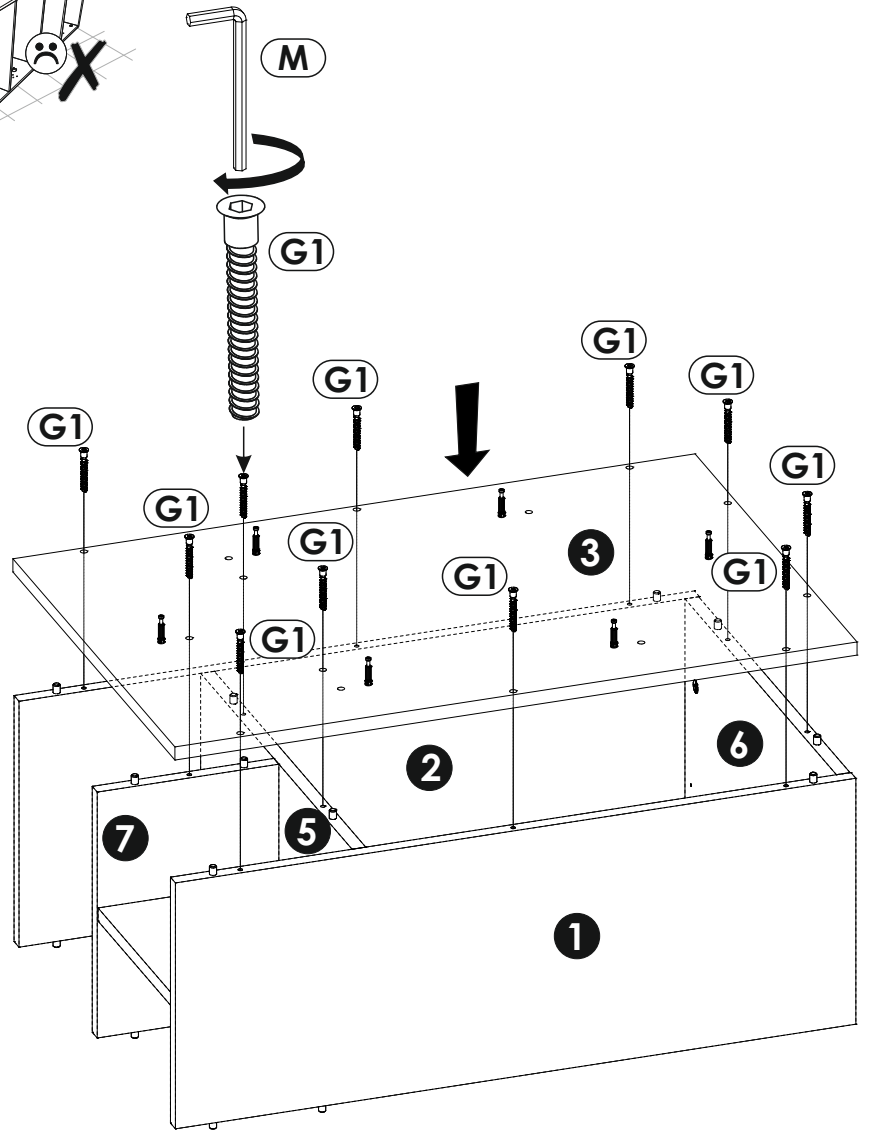
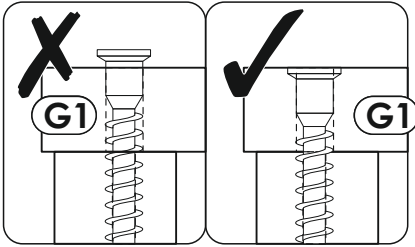
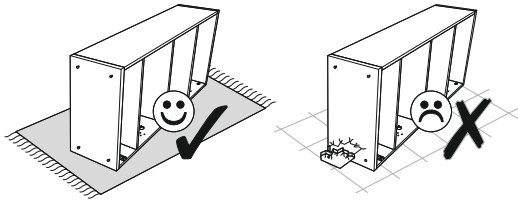




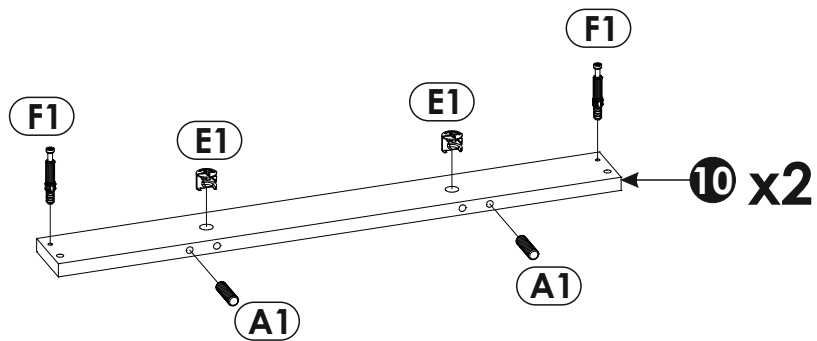
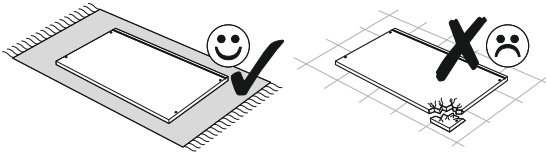


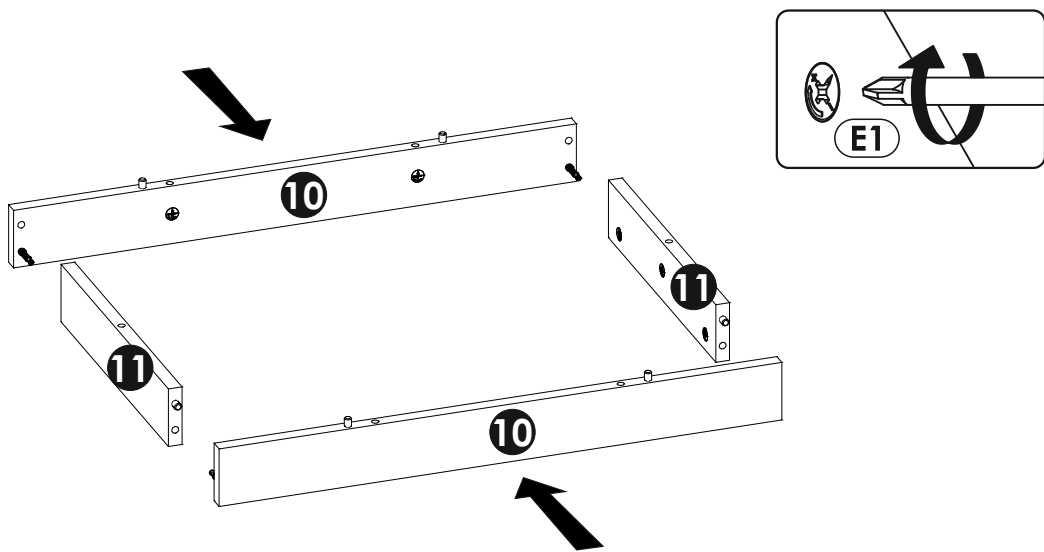
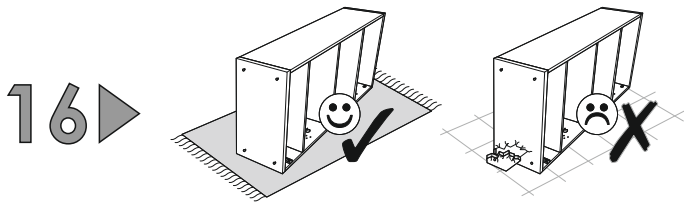
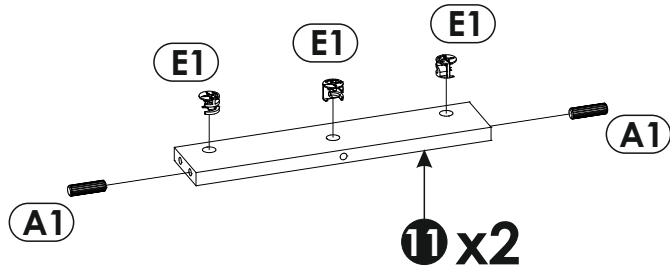
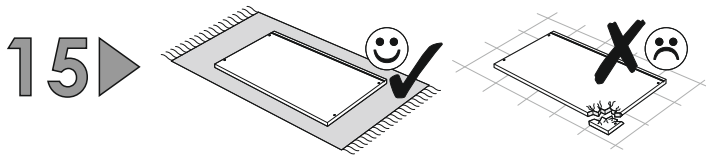


13▶

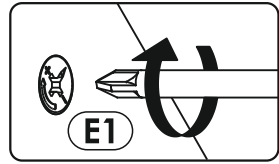
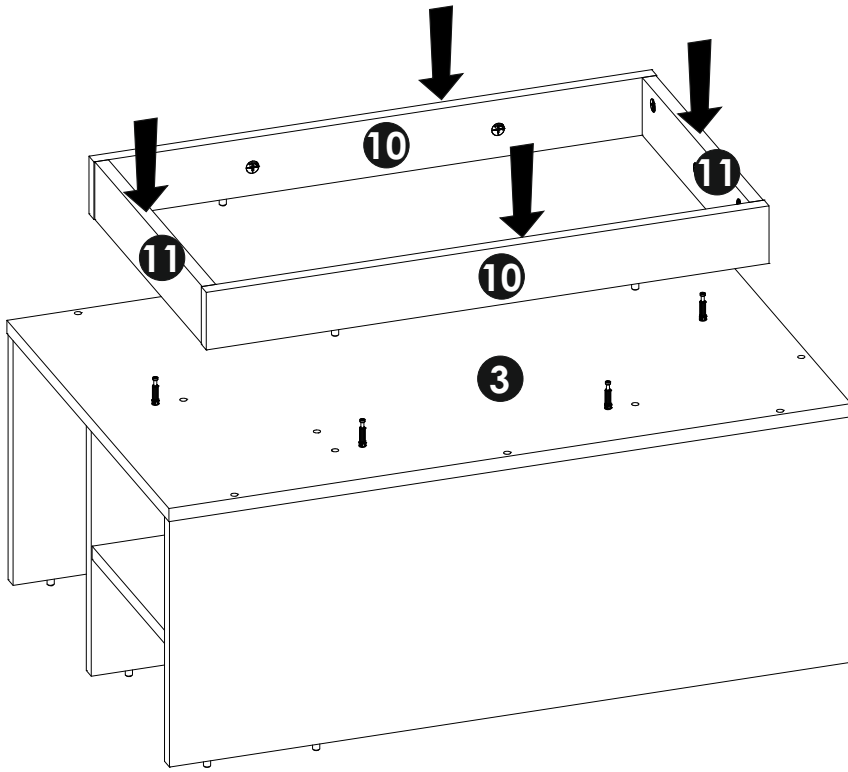
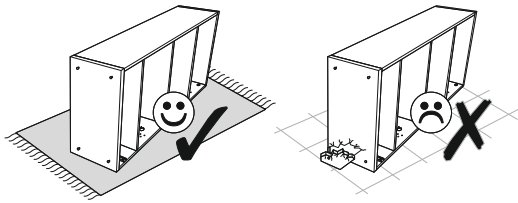


14▶

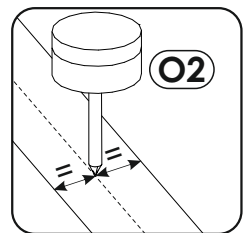
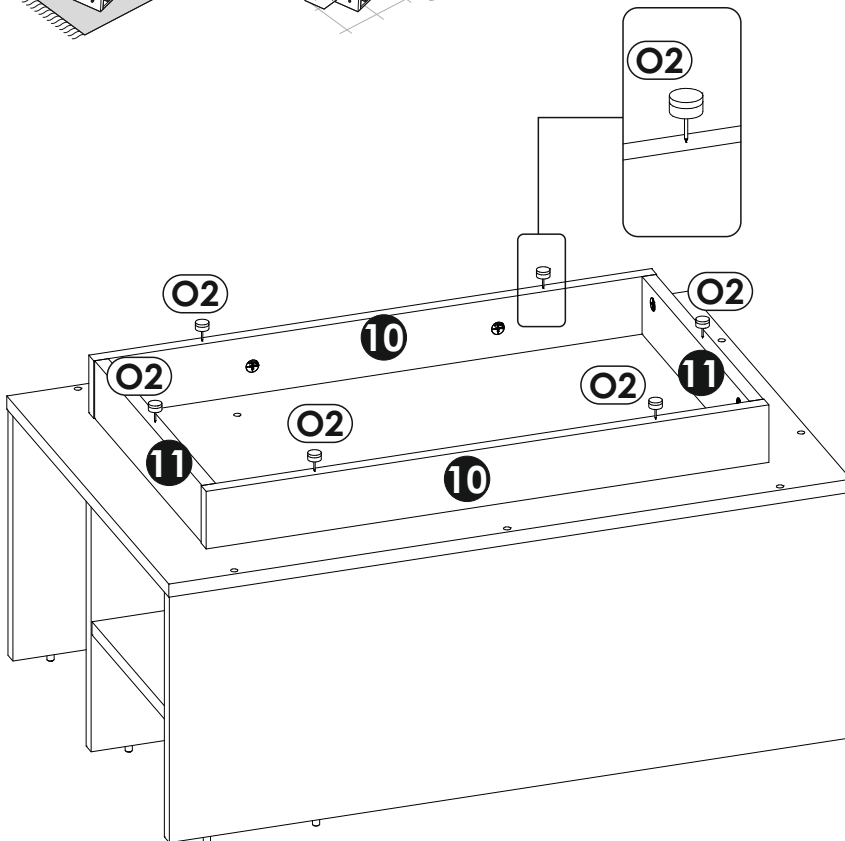
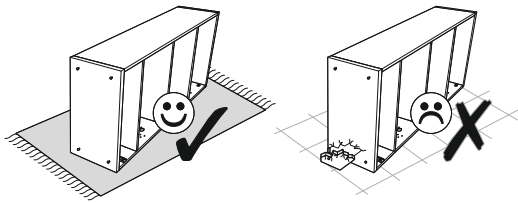




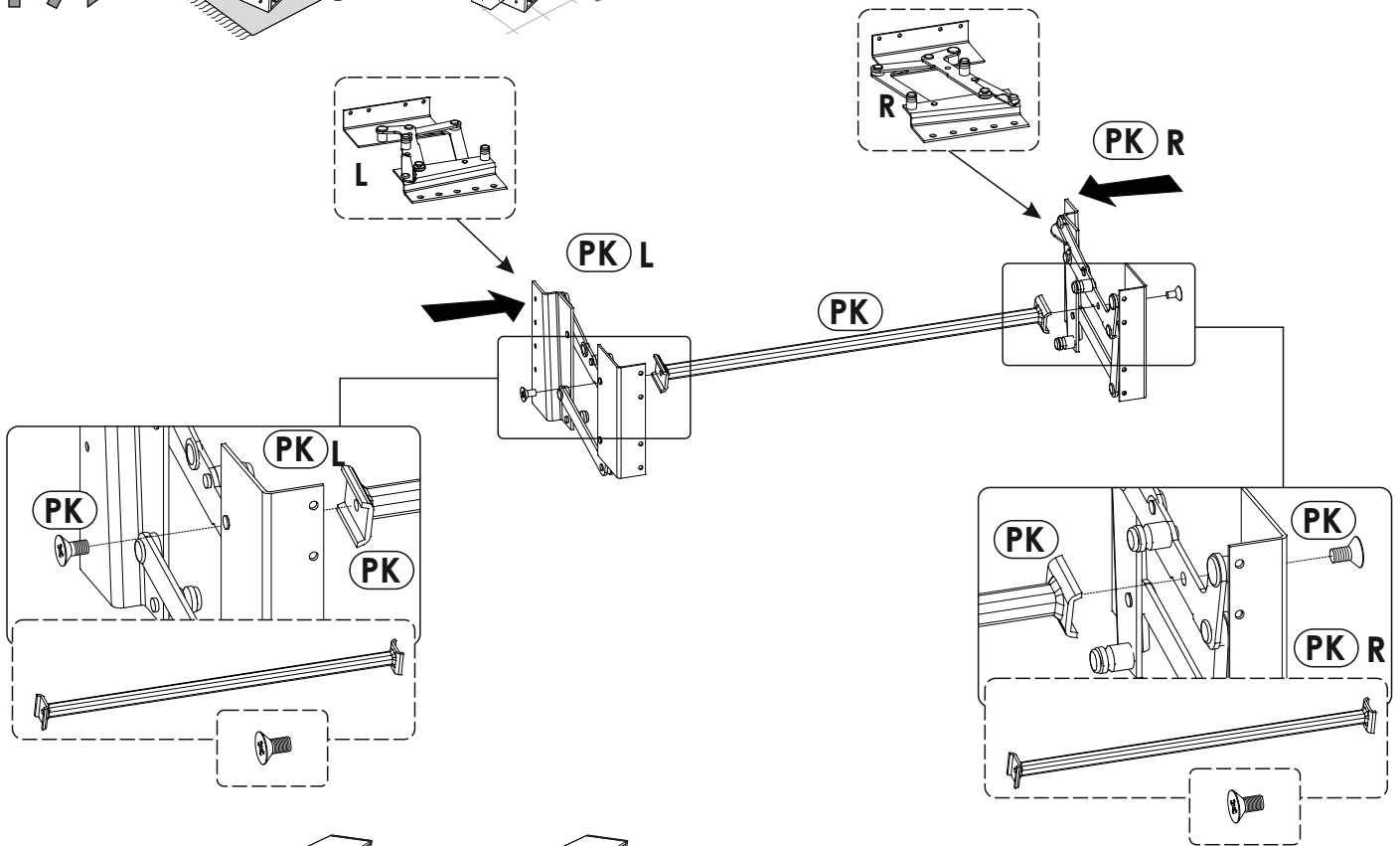
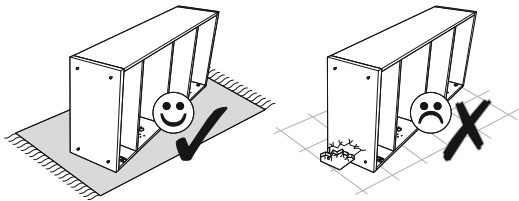
17 ▶



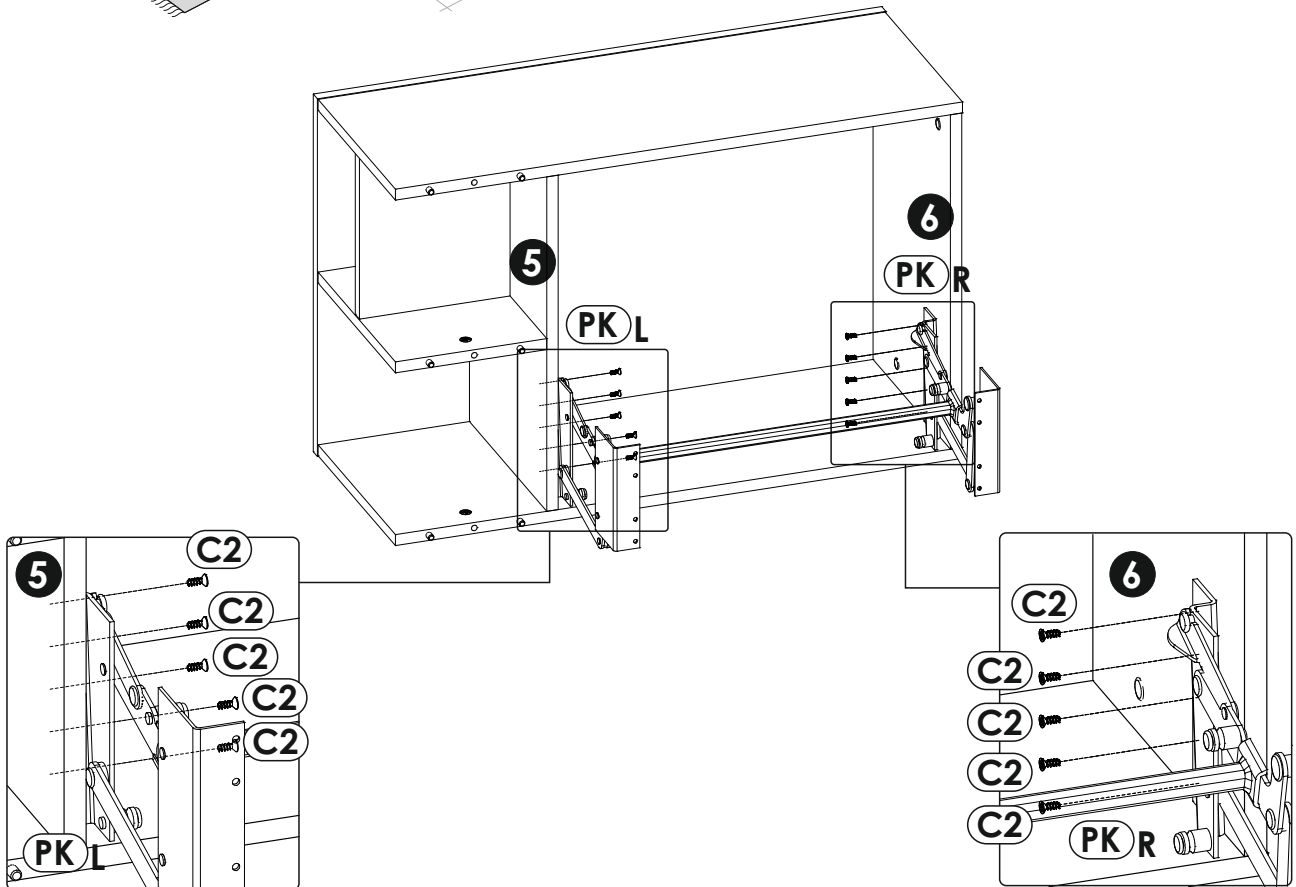
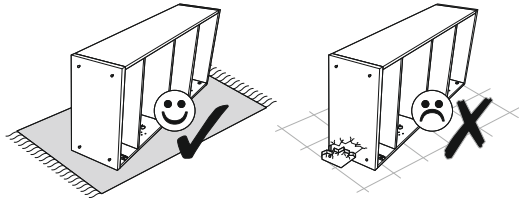
18 ▶



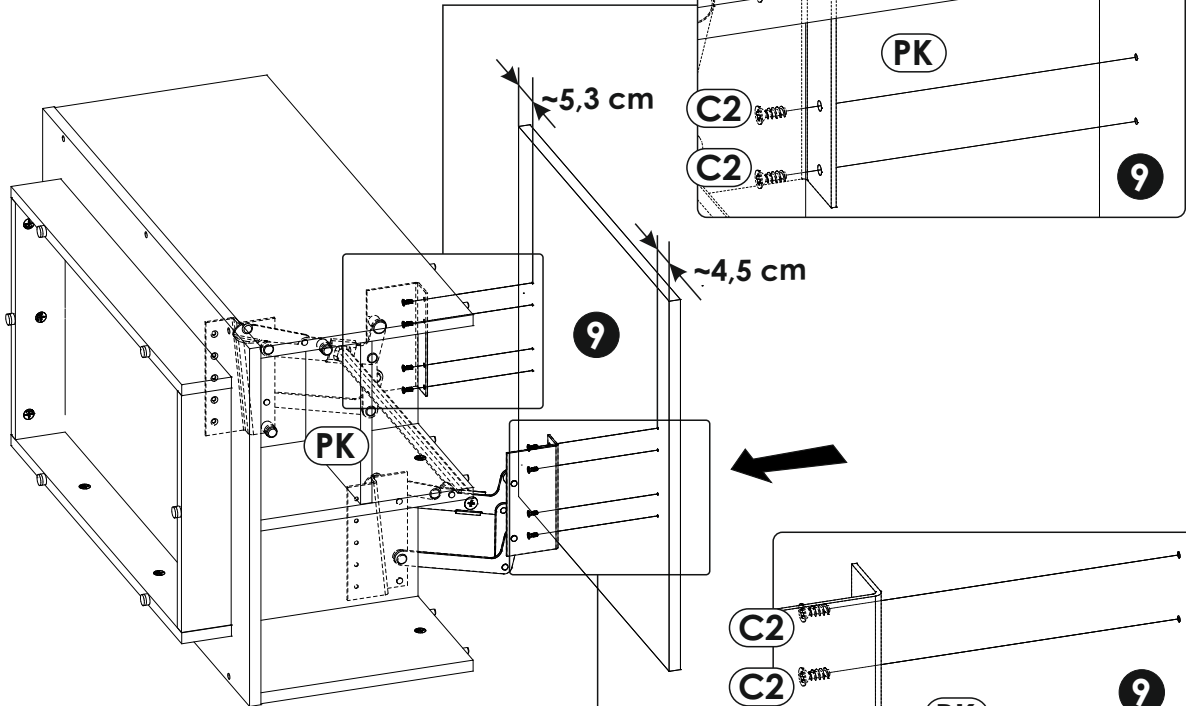
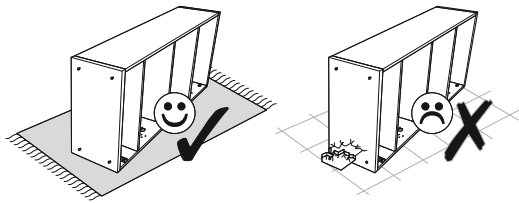
19 ▶



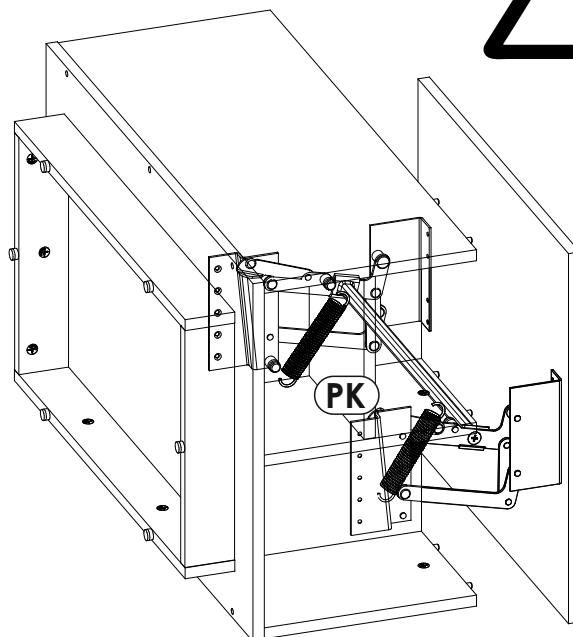
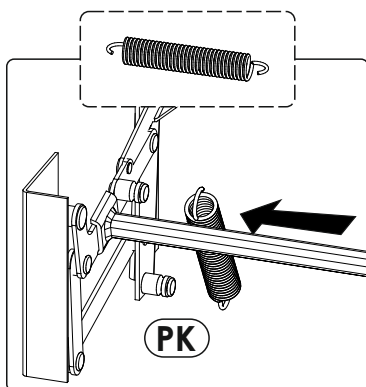
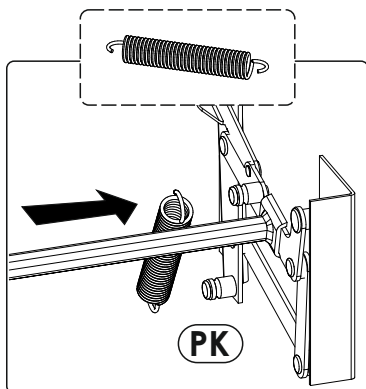
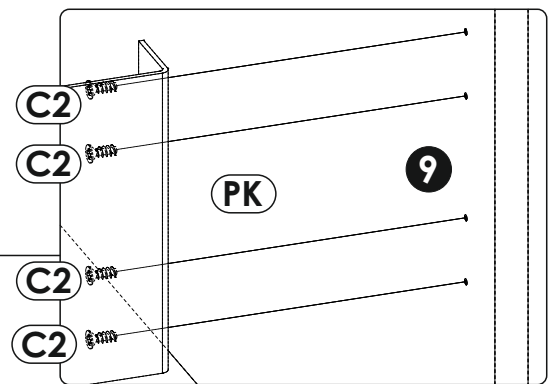
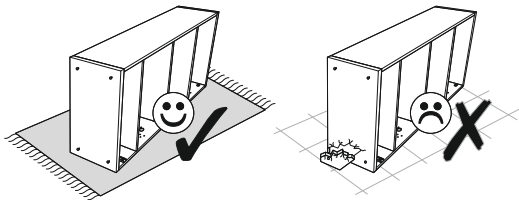
20 ▶

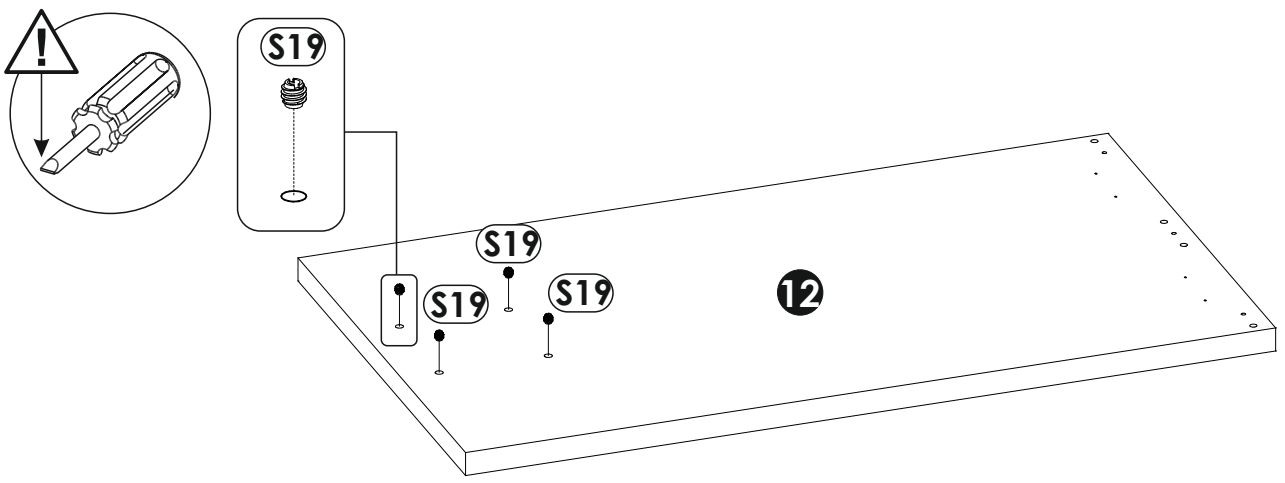
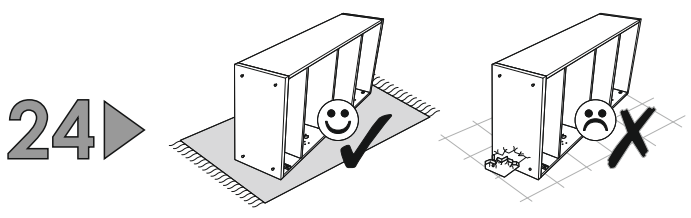
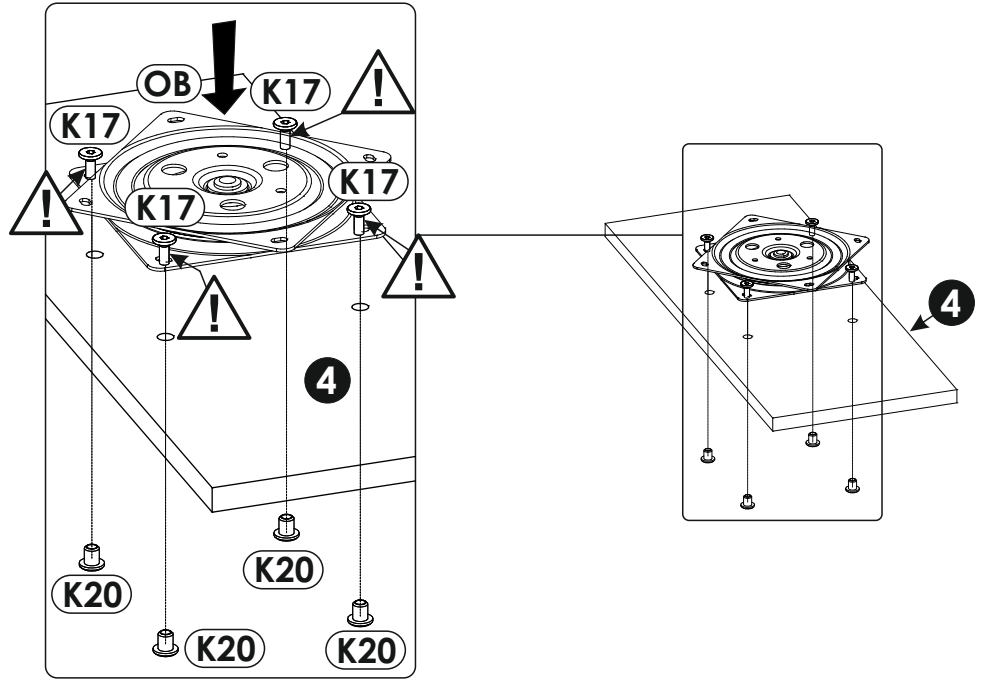
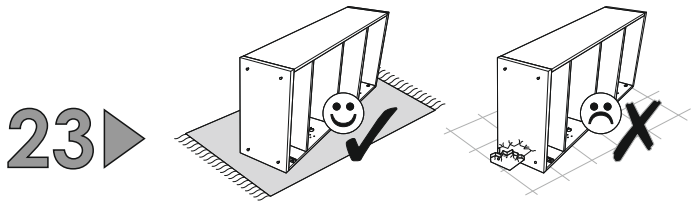


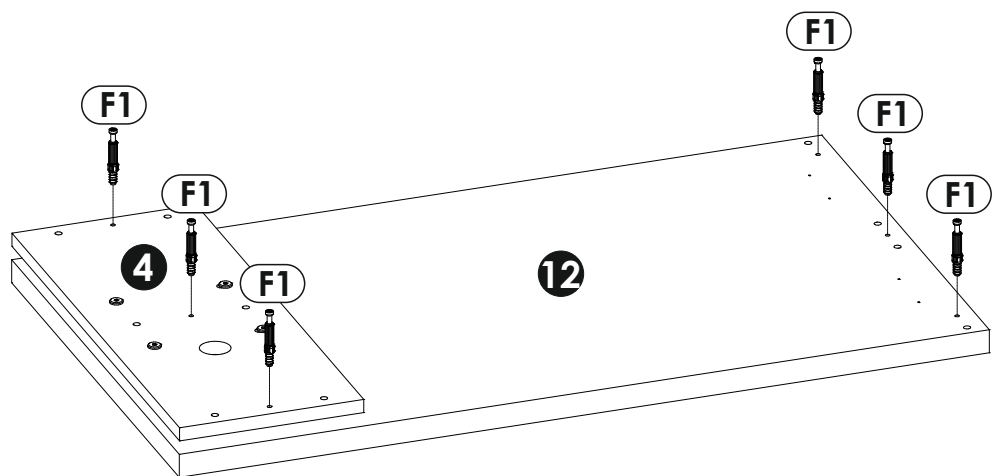
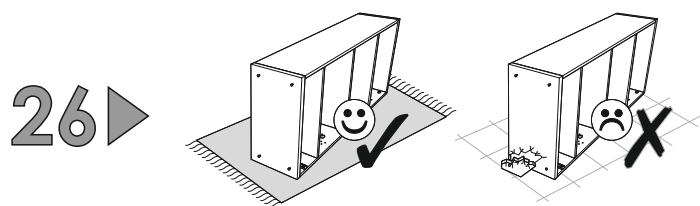
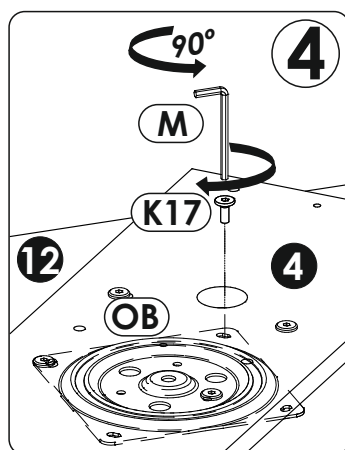
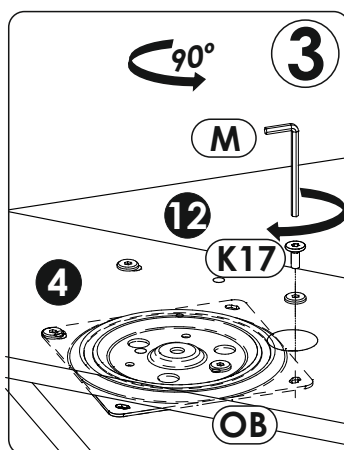
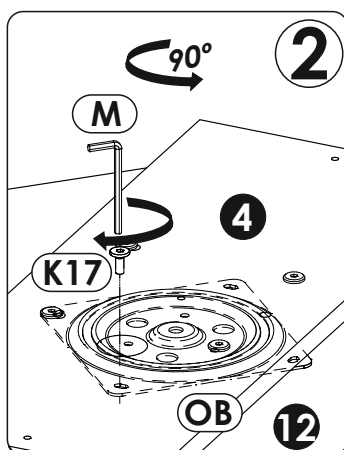
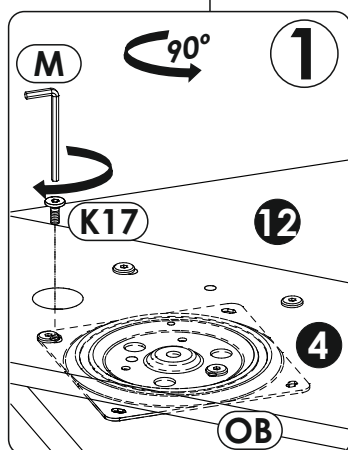
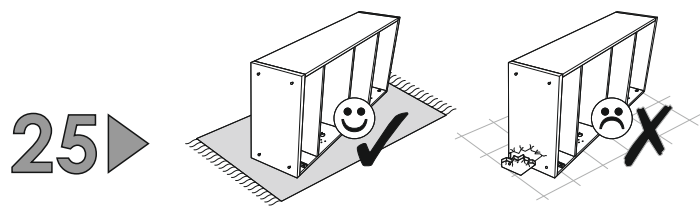
21 ▶



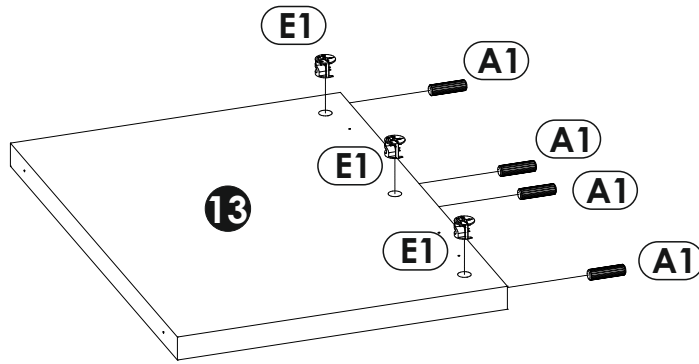
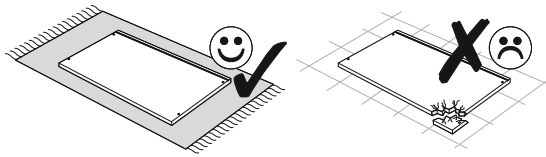
22 ▶



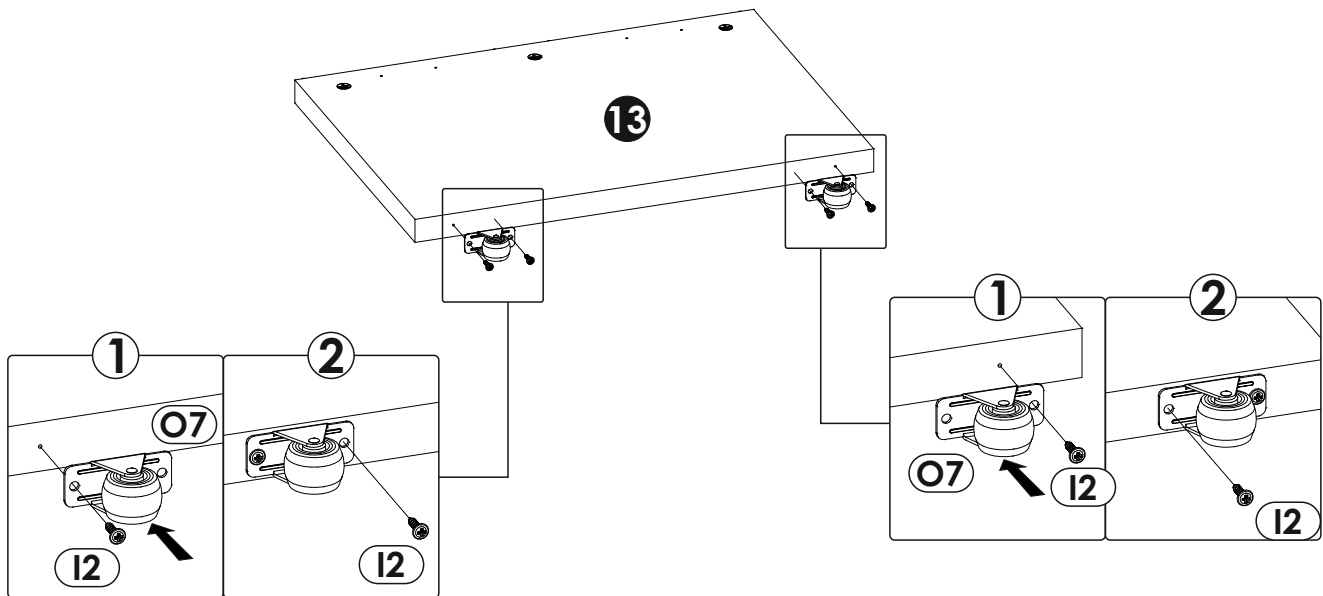
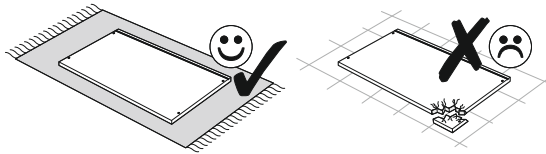


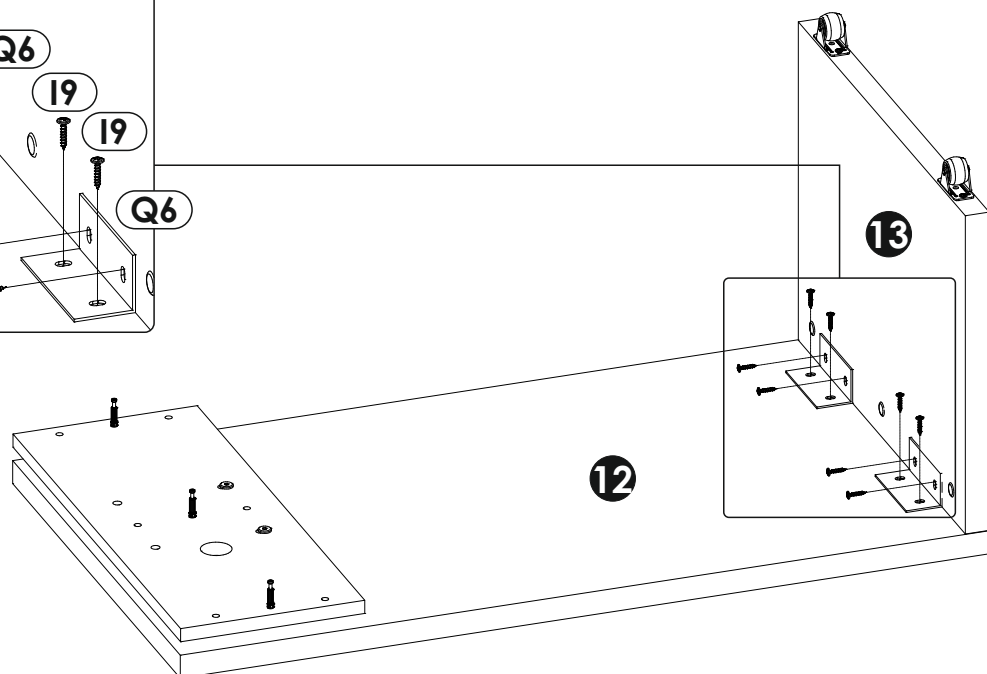
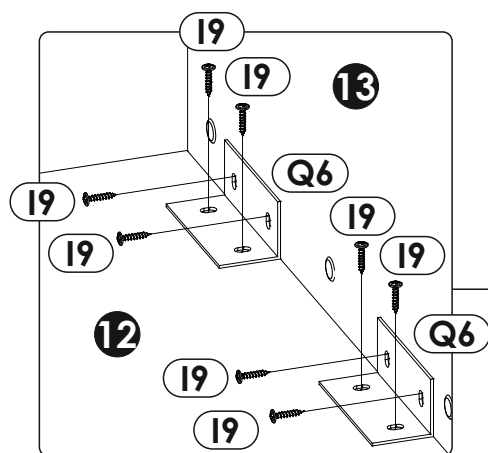
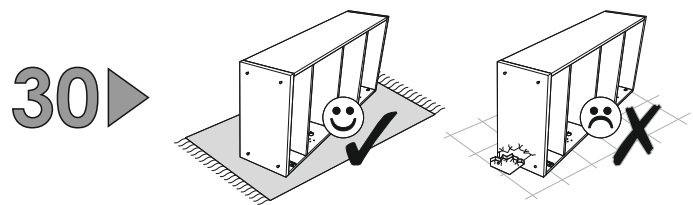
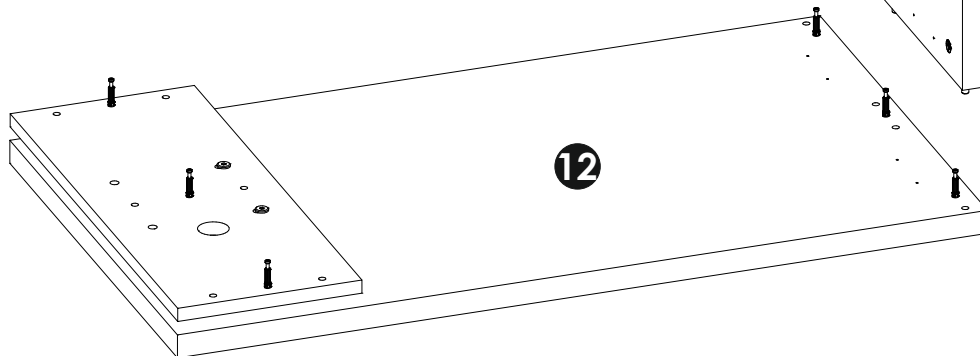
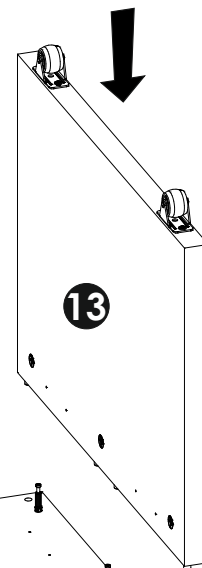
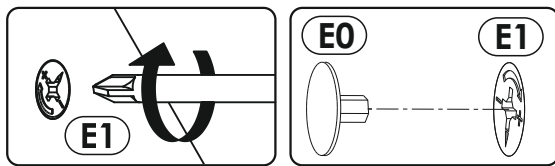
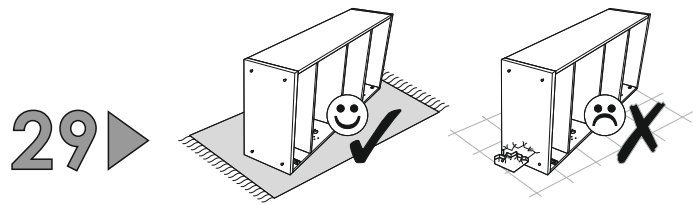


27▶

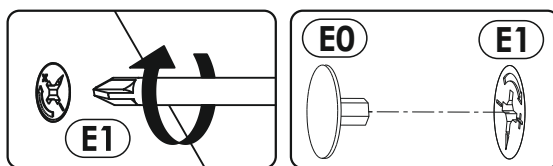
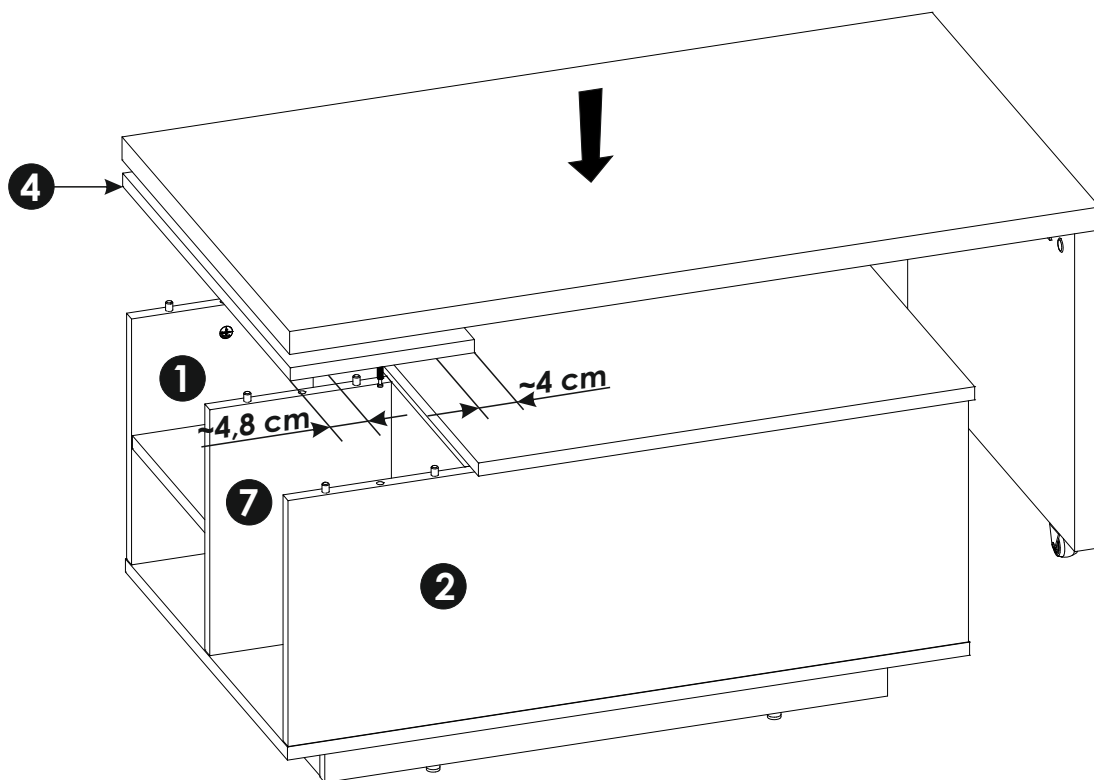
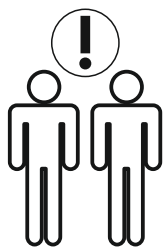


28▶

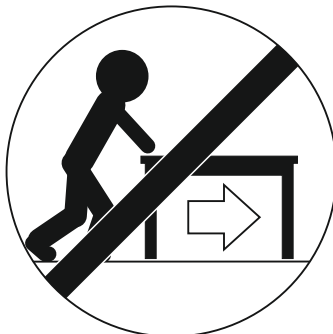
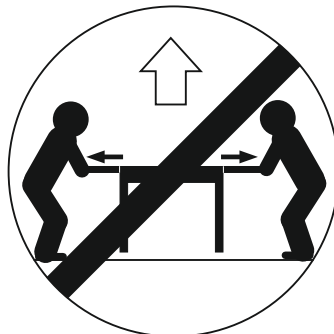
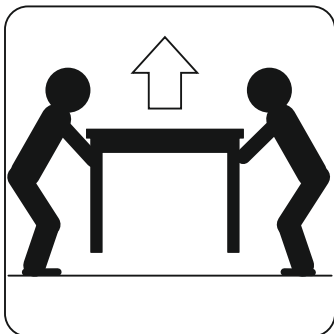
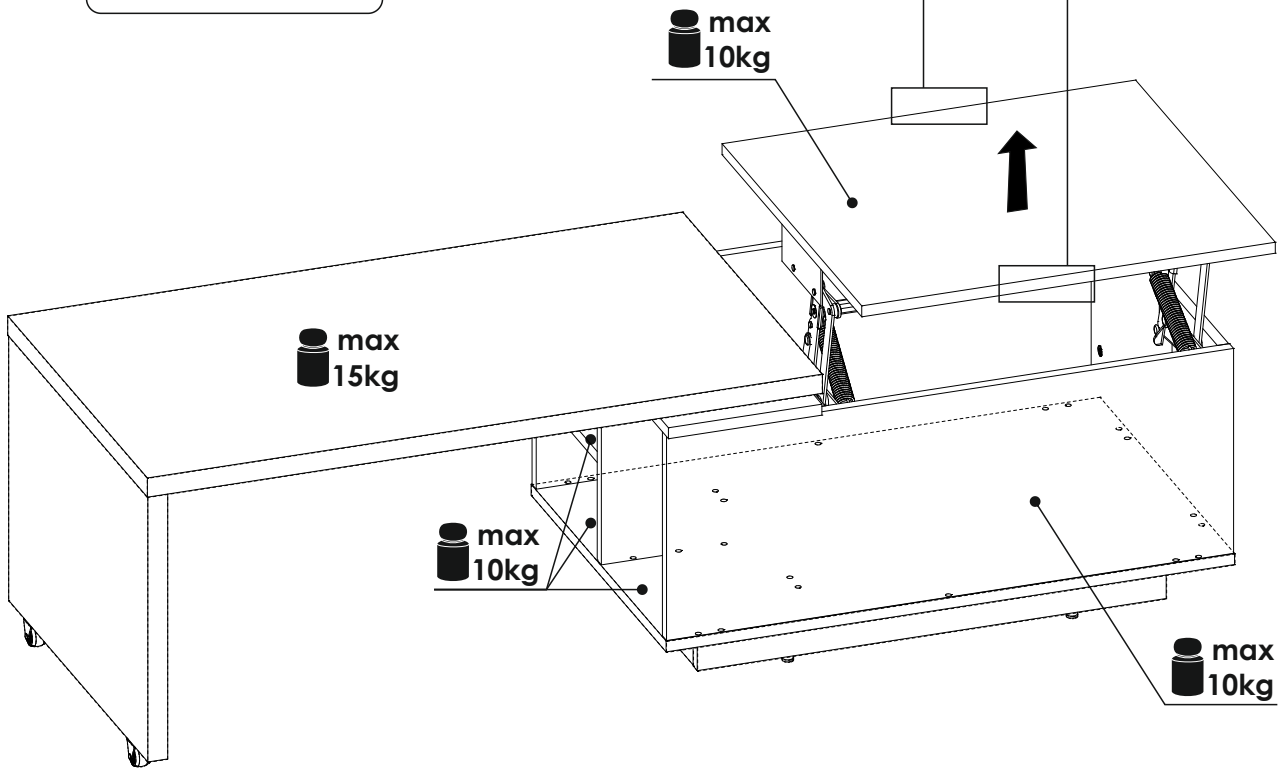
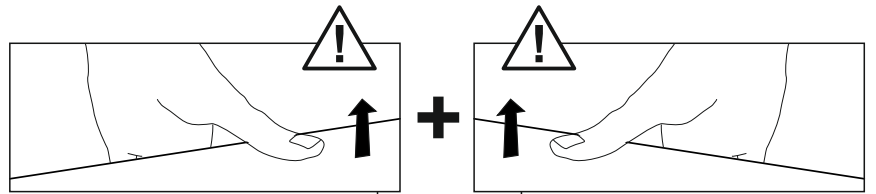
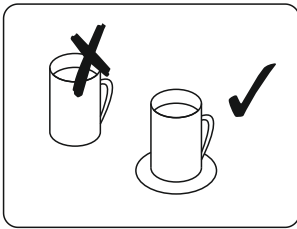
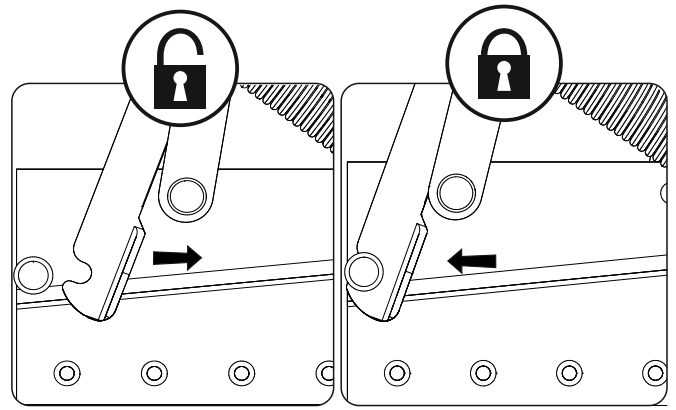


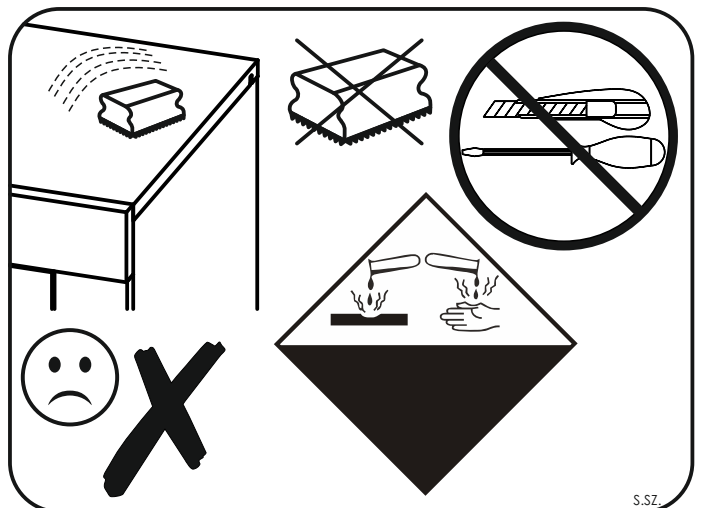
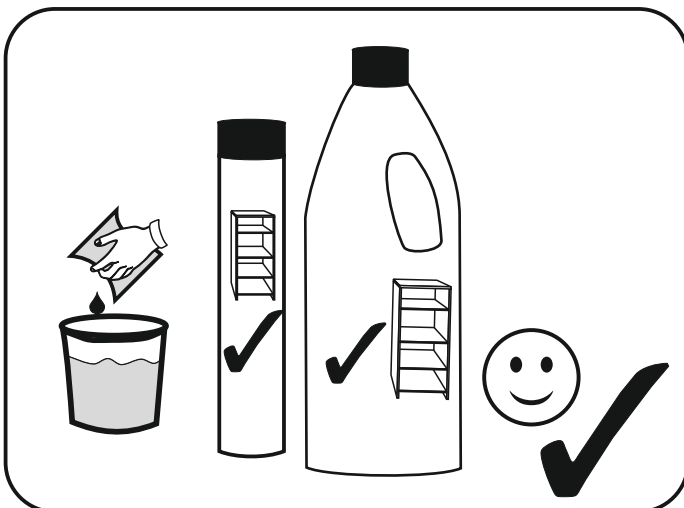
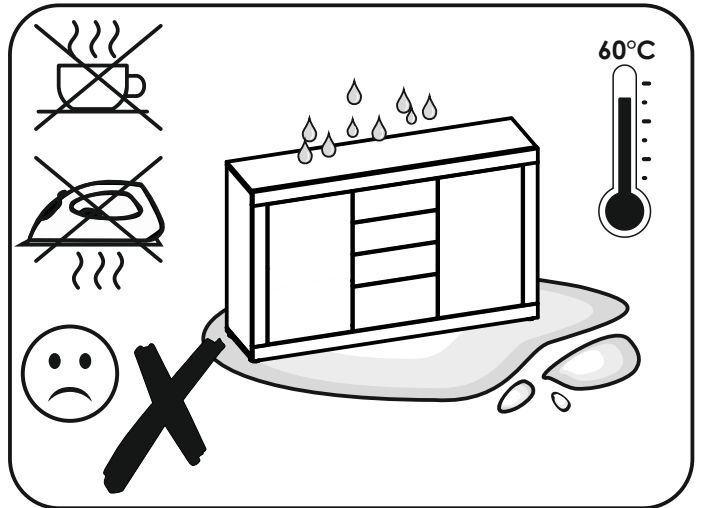
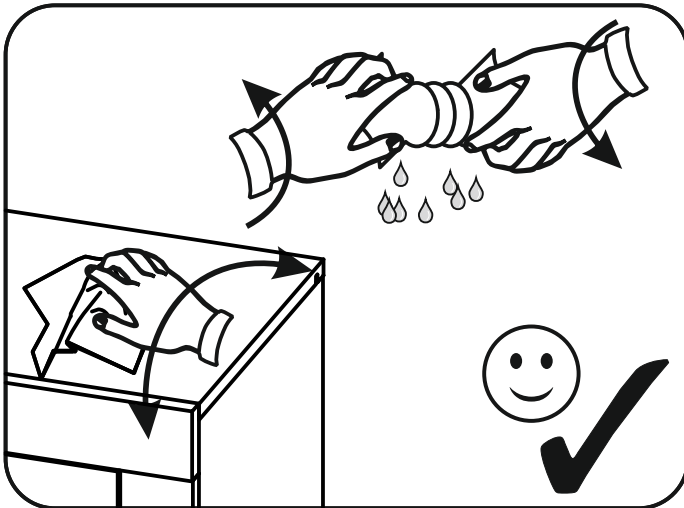
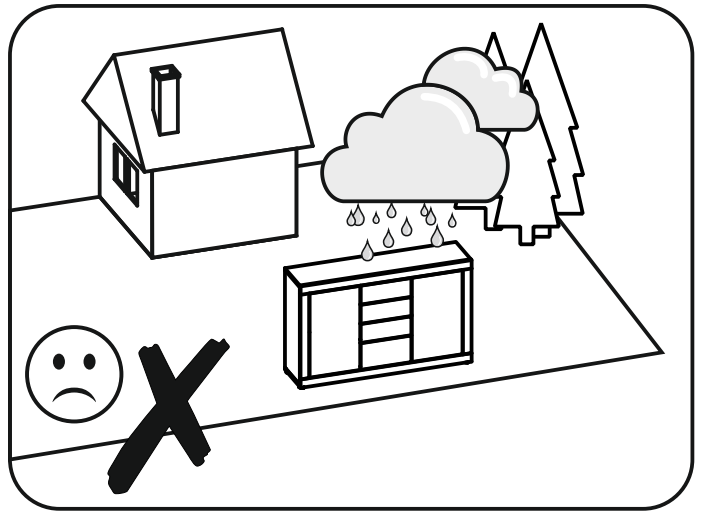
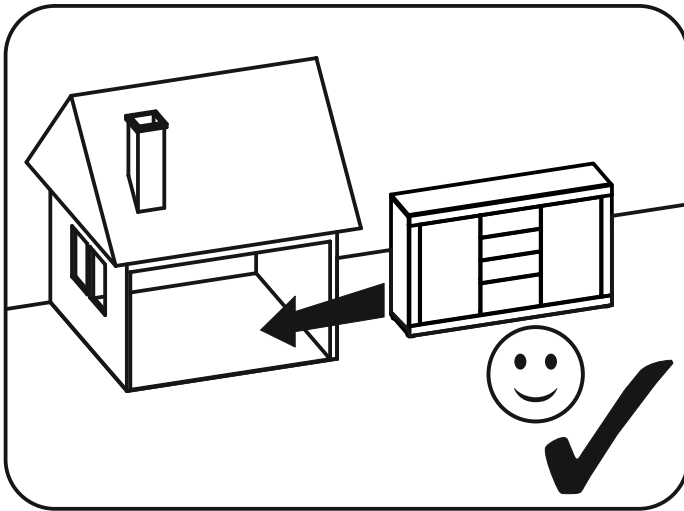
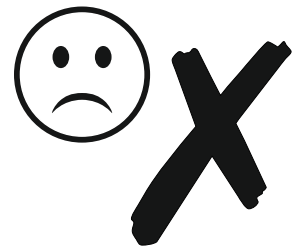


31 ▶



32 ▶





S.SZ.