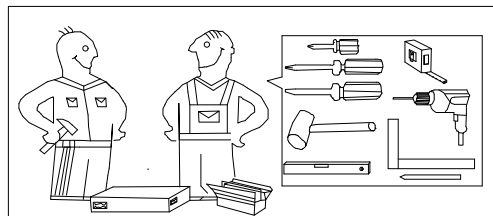
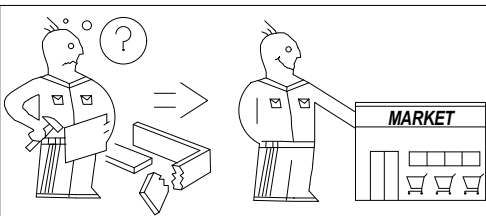
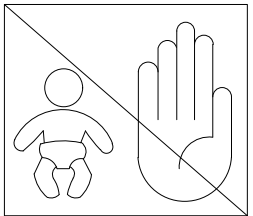
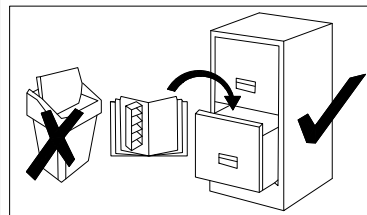
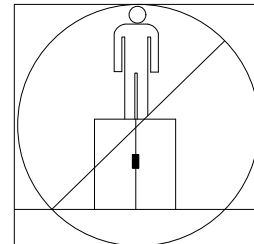
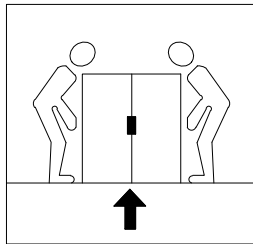
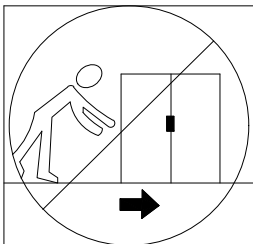
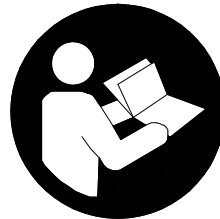
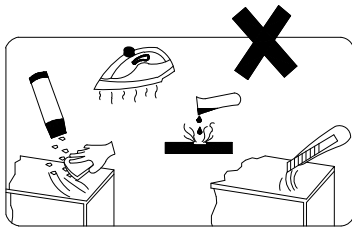
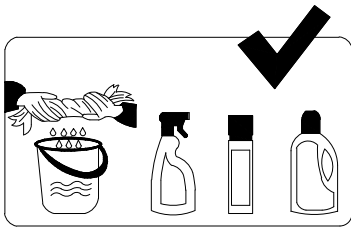
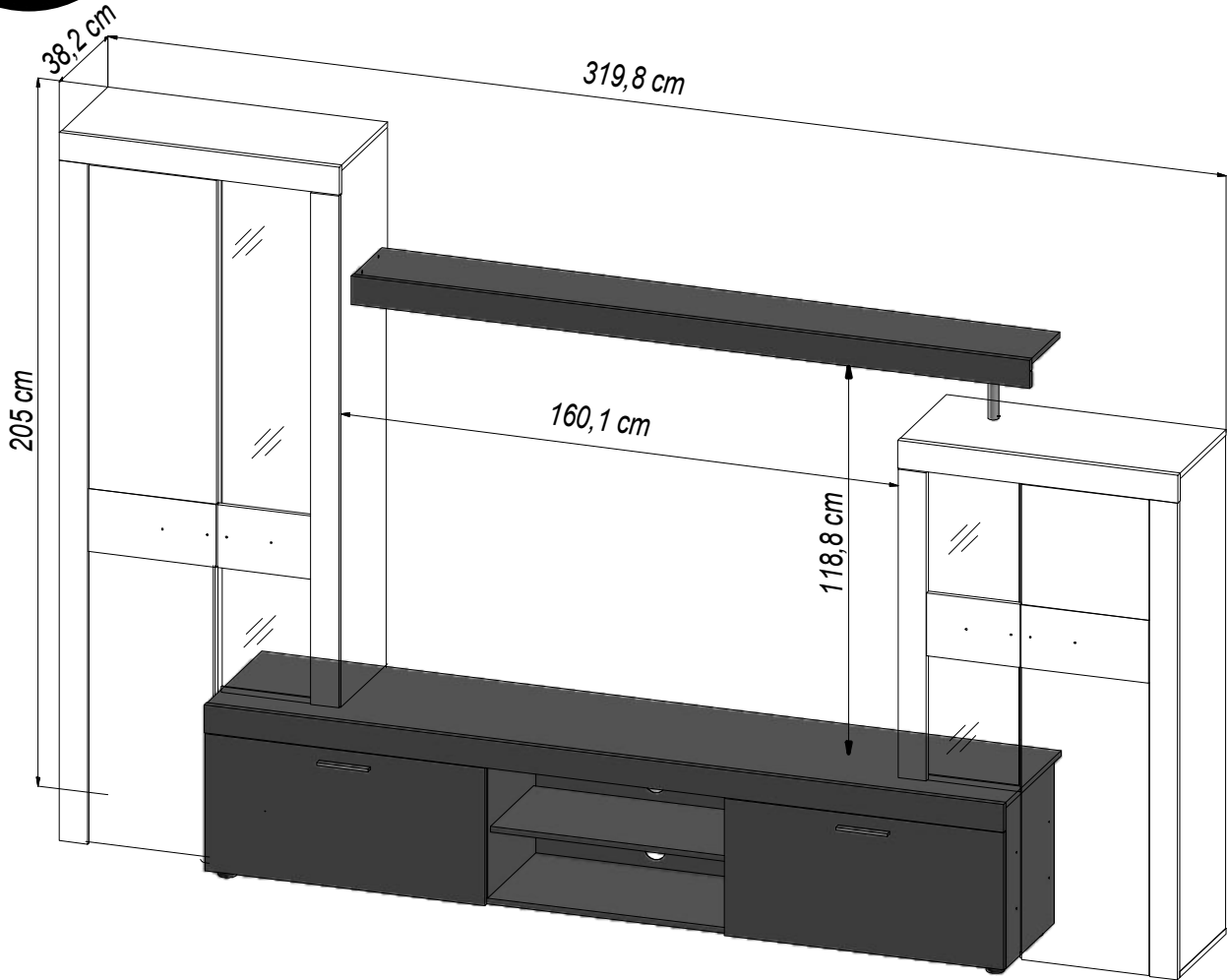
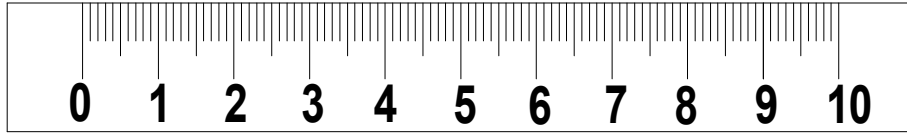
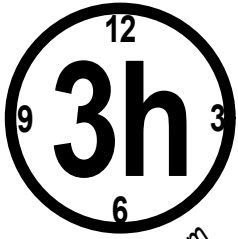
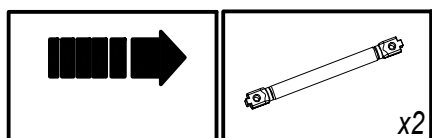
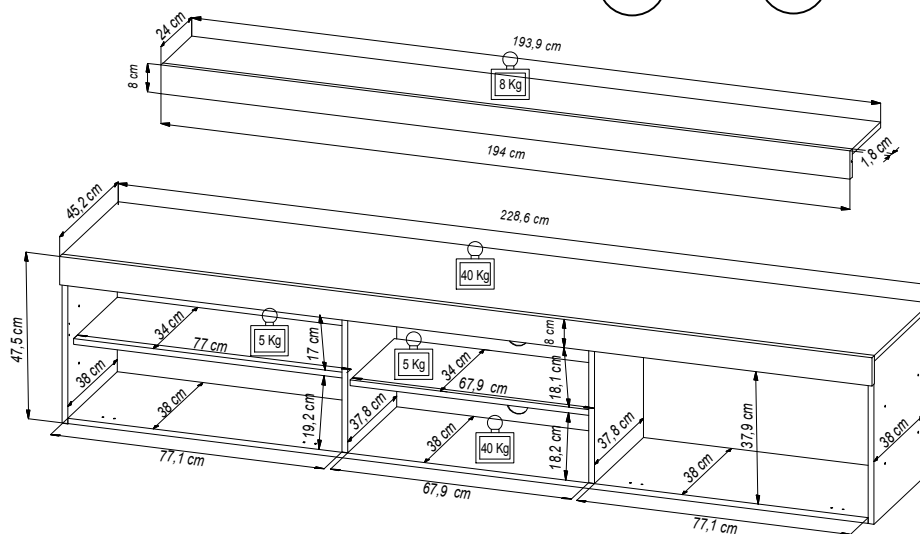
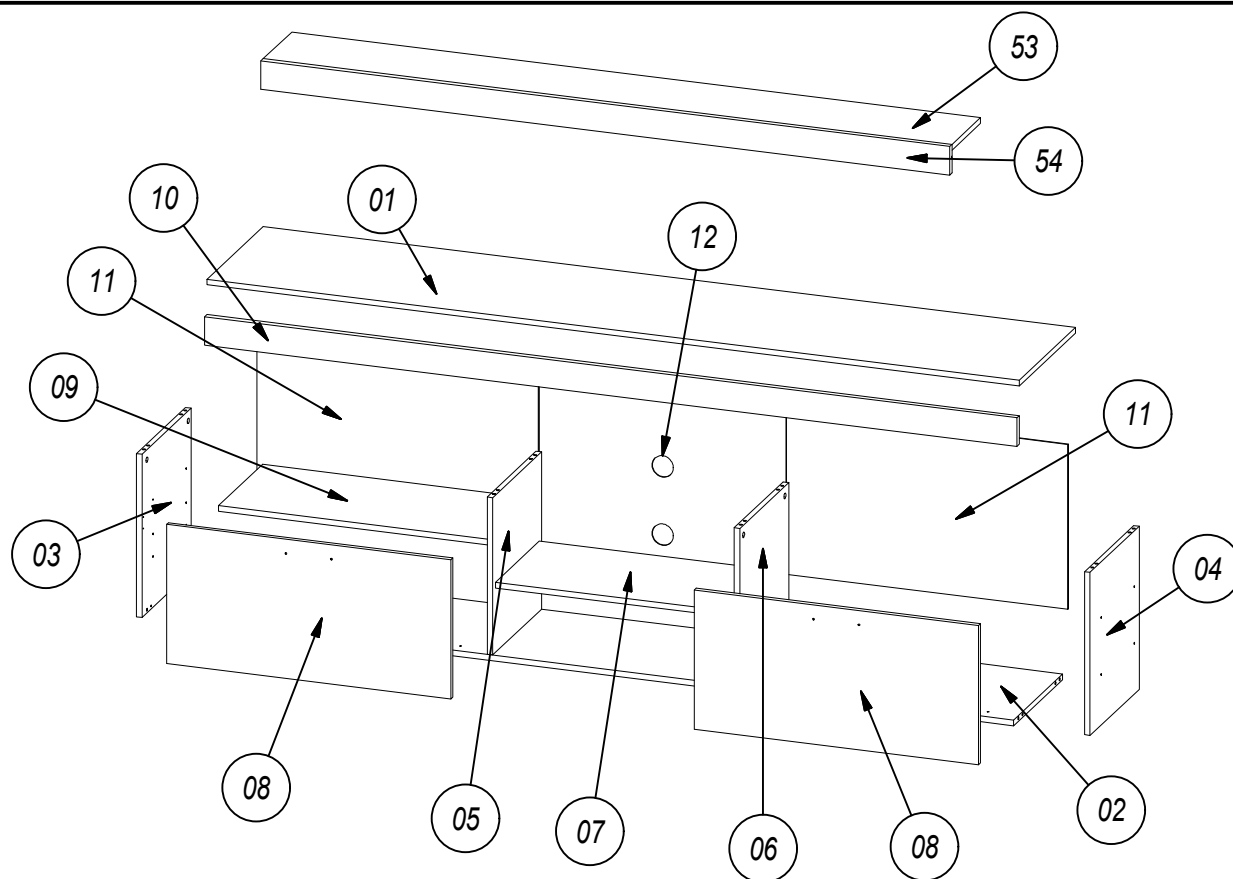


BOOST (1/7; 2/7)

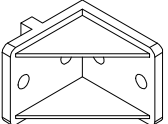
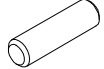
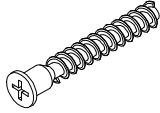

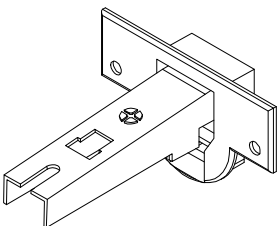
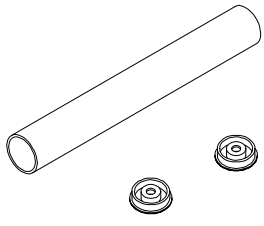

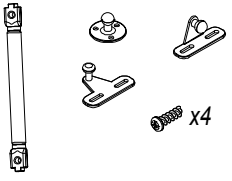


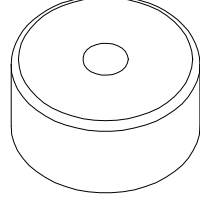
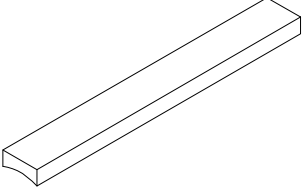
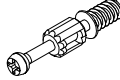

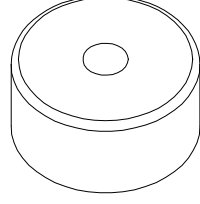
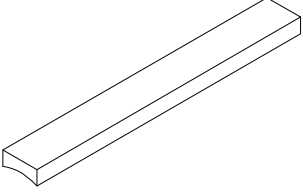


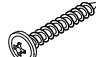

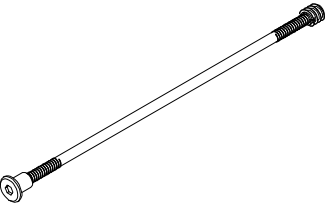
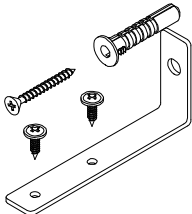

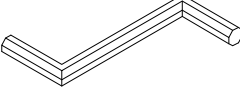




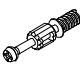
BOOST (1/7; 2/7)

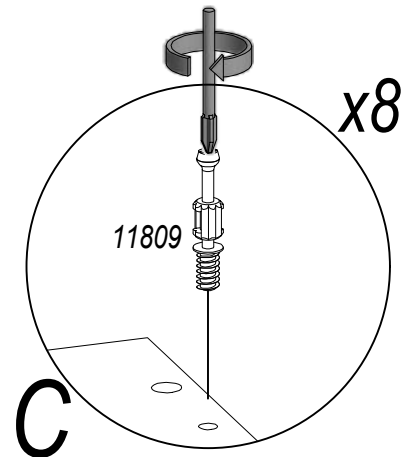
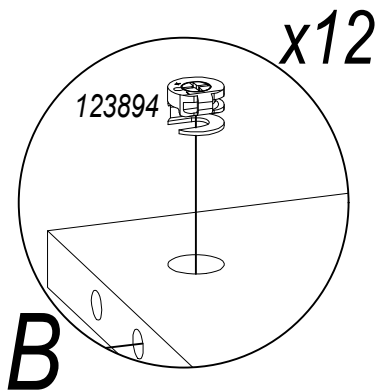
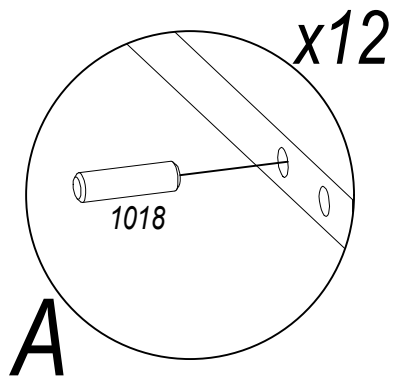
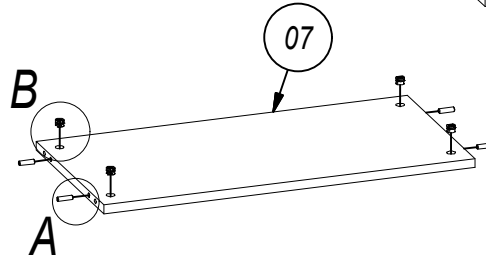
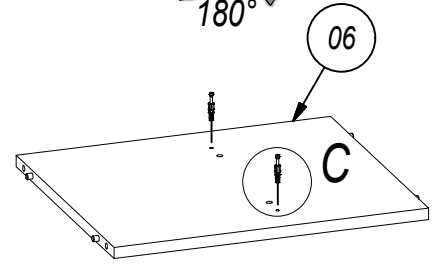
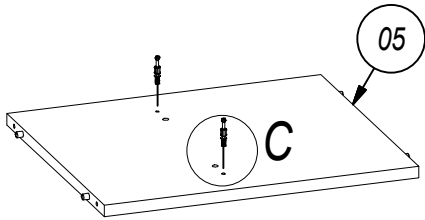
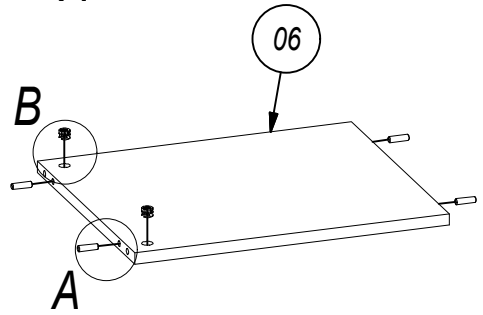
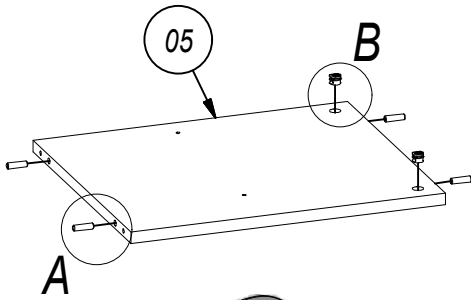
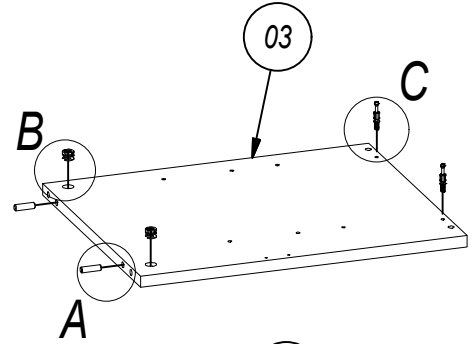
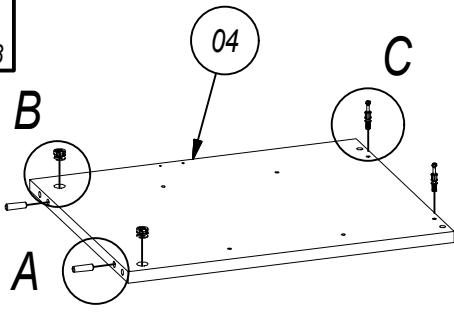


Číslo	Počet	V	Š	H	Bal.
01	1	2286	434	16	2/7
02	1	2253	380	16	2/7
03	1	459	380	16	1/7
04	1	459	380	16	1/7
05	1	442	378	16	1/7
06	1	442	378	16	1/7
07	1	679	340	16	1/7
08	2	800	392	15	1/7
09	1	770	340	16	1/7
10	1	2287	80	18	2/7
11	2	792	464	3	1/7
12	1	695	464	3	1/7
53	1	1939	222	16	2/7
54	1	1940	80	18	2/7

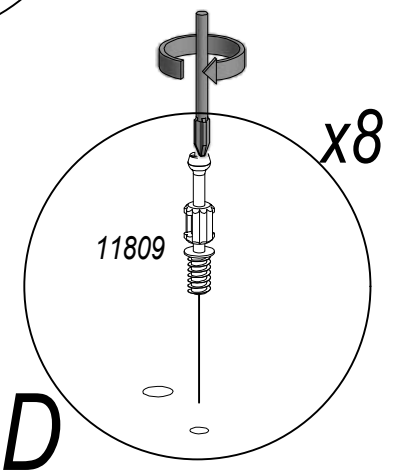
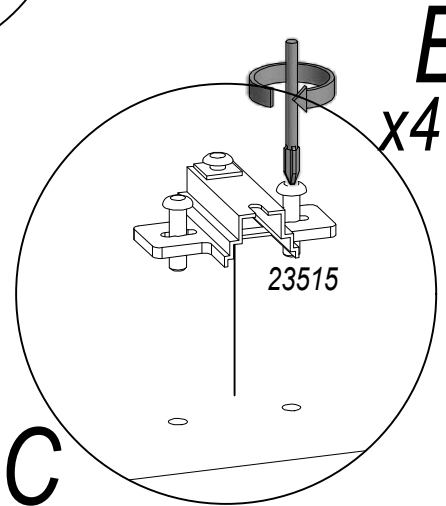
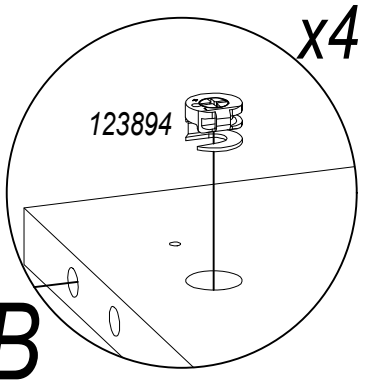
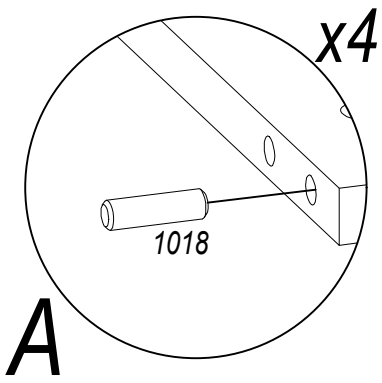
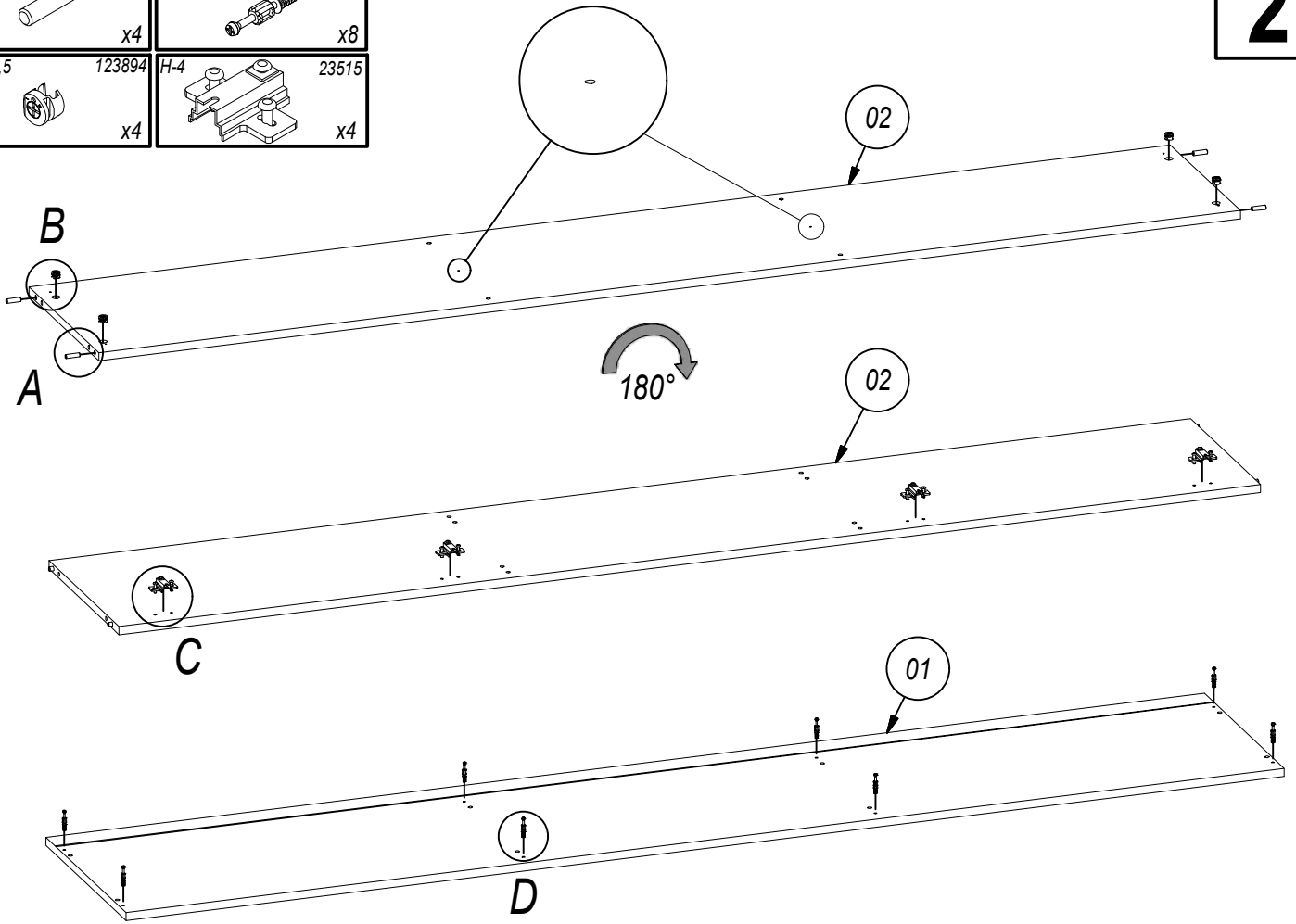
BOOST (1/7; 2/7)

 <p>x14 30x30x3 23482</p>	 <p>x20 Ø8x28 1018</p>	 <p>x6 Ø7x50 1354</p>	 <p>x16 Ø15x12,5 123894</p>
 <p>x4 Ø35 KR 0 21887</p>	 <p>x1 PLASTIC 151345</p>	 <p>x4 1289</p>	 <p>x2 80 N 28209</p>
 <p>x8 23x10x2 1415</p>	 <p>x14 1302</p>	 <p>x6 H-4 23515</p>	 <p>x2 80 N 28209</p>
 <p>x16 L-11 mm 11809</p>	 <p>x26 UP Ø3x20 1056</p>	 <p>x6 PLASTIC 1005</p>	 <p>x2 PLASTIC 151543</p>
 <p>x12 Ø20 151499</p>	 <p>x6 UP Ø4x22 24179</p>	 <p>x4 UP Ø4x30 1012</p>	 <p>x64 US Ø3,5x13 1011</p>
 <p>x1 L-230 151765</p>	 <p>x2 1267</p>	 <p>x8 UP Ø4x25 1013</p>	 <p>x1 S-4 1271</p>

Ø8x28	1018
	x12
Ø15x12,5	123894
	x12
L-11 mm	11809
	x8

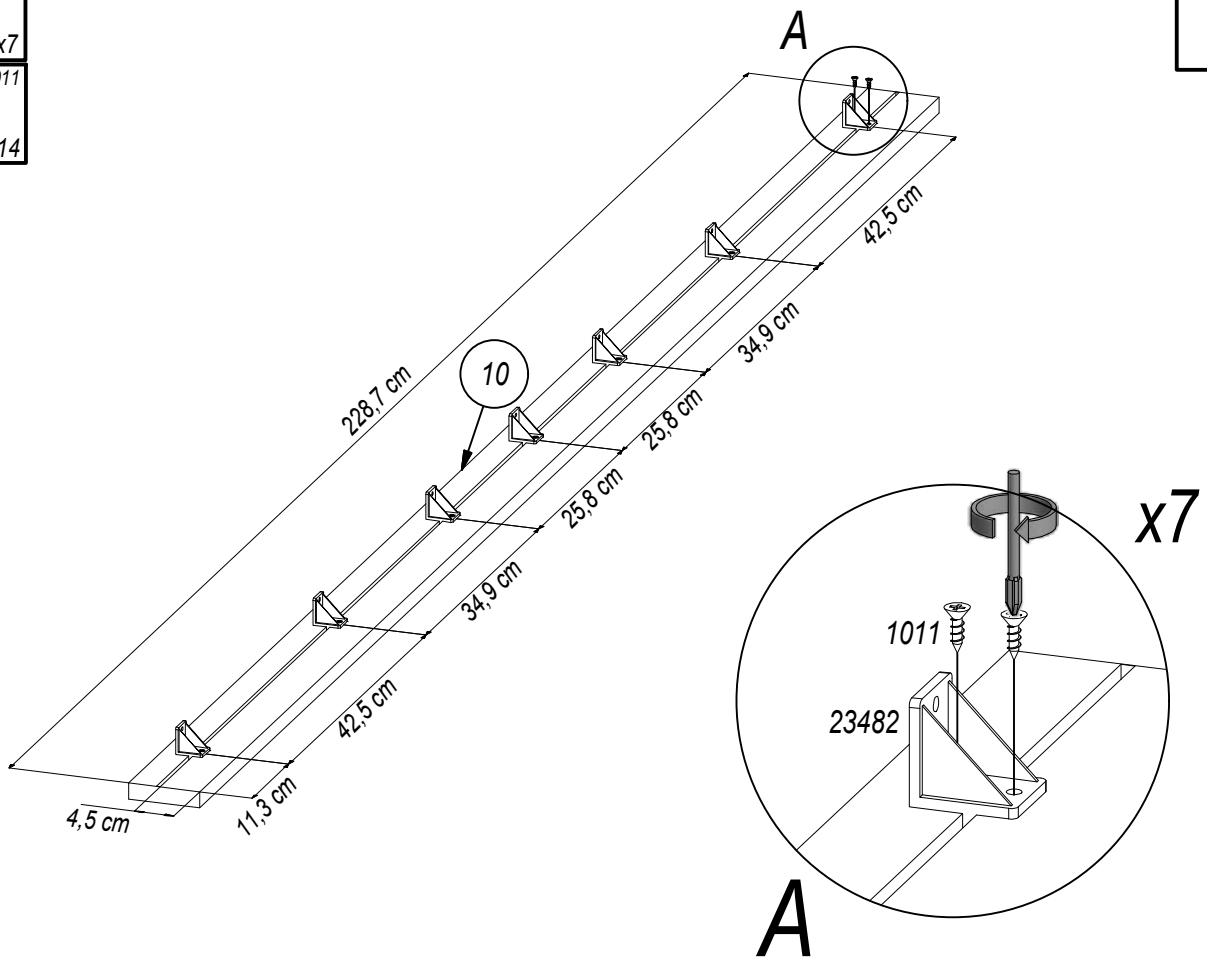


Ø8x28 1018 x4	L-11 mm 11809 x8
Ø15x12,5 123894 x4	H-4 23515 x4



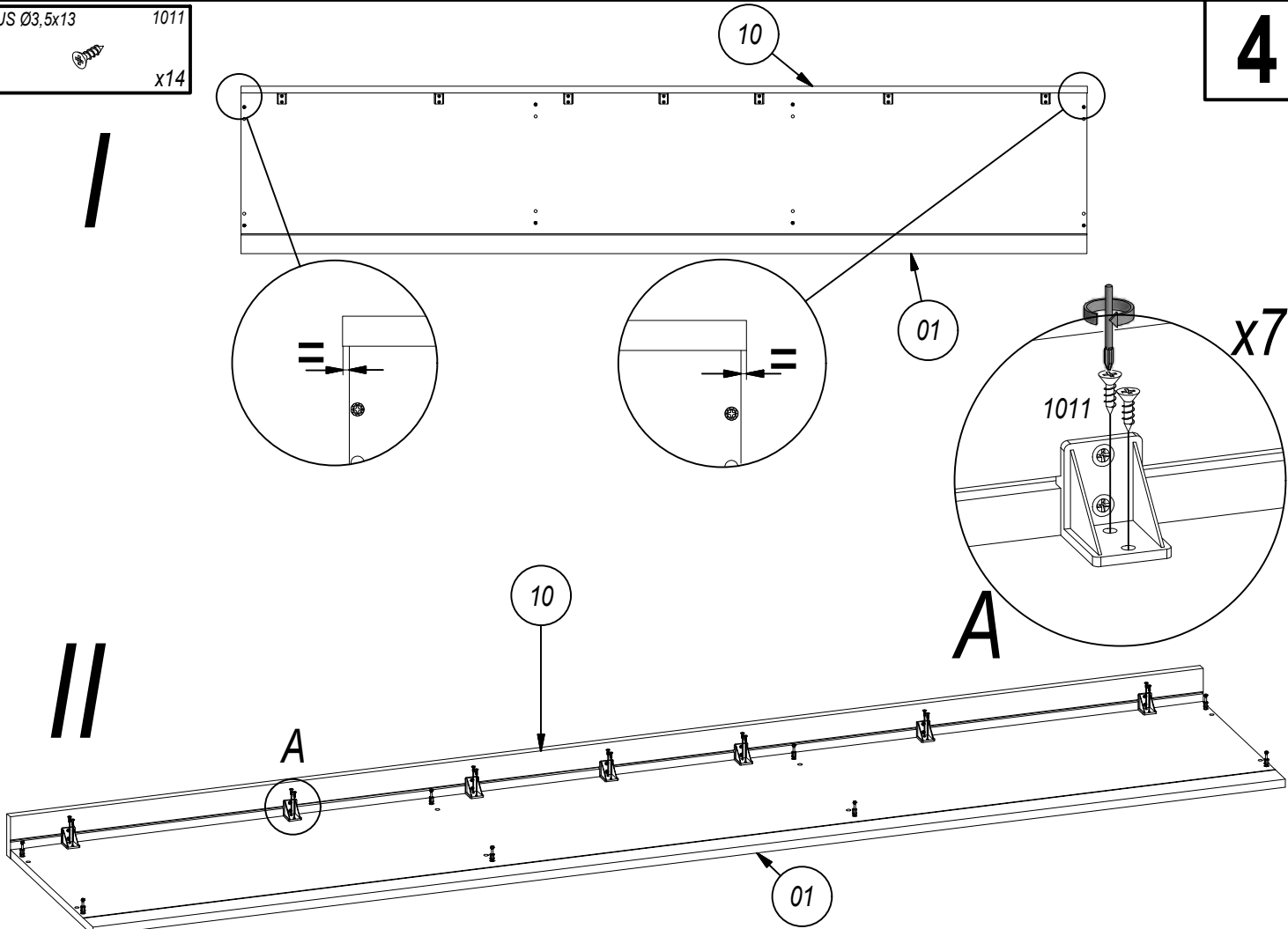
30x30x3 23482 x7
 US Ø3,5x13 1011 x14

3

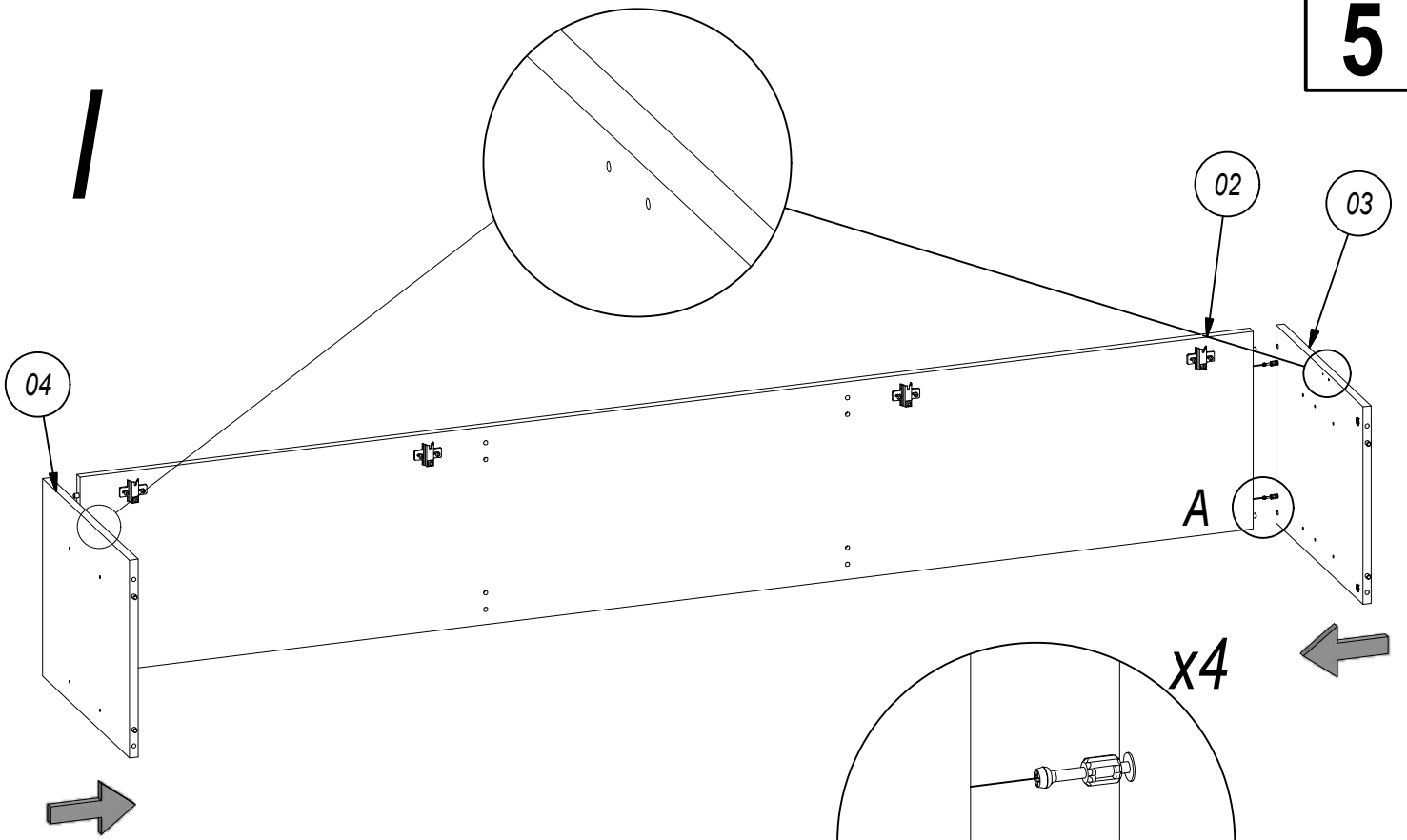


US Ø3,5x13 1011 x14

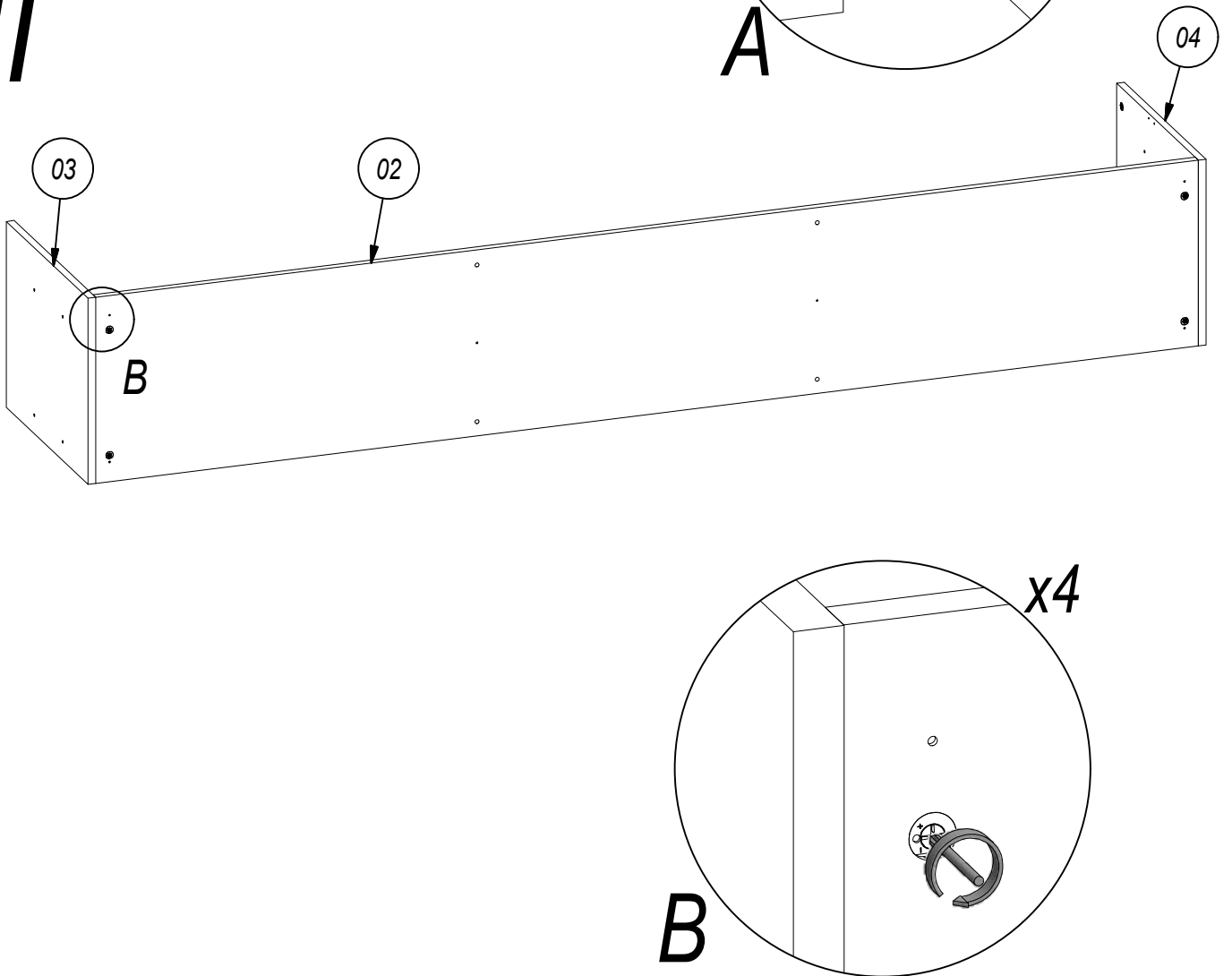
4



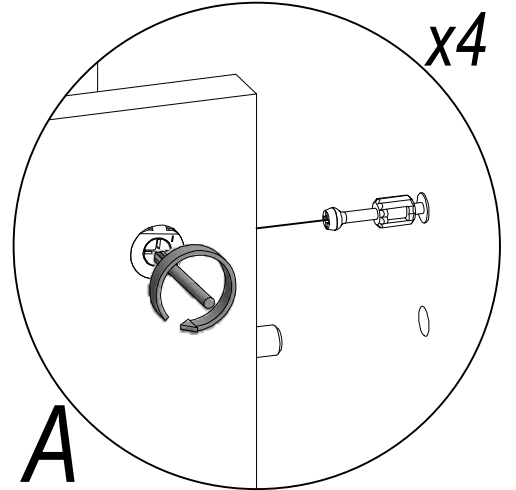
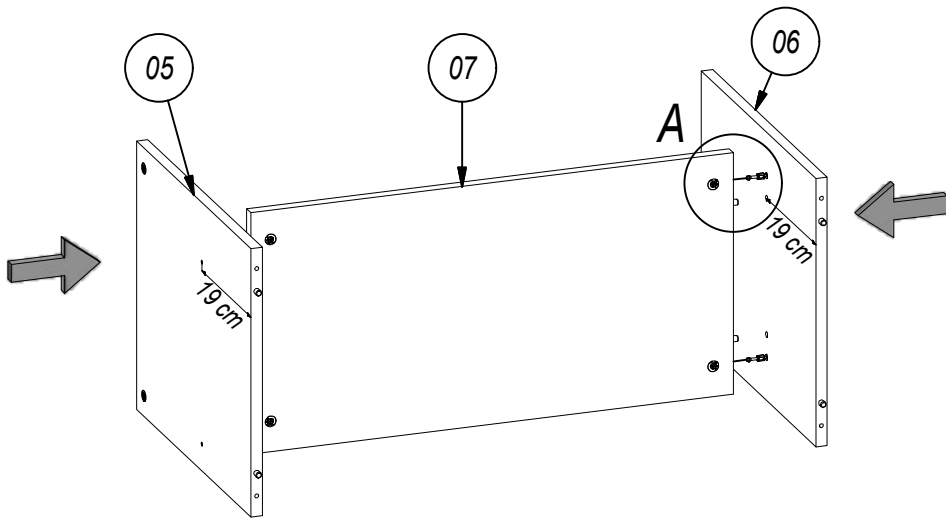
I



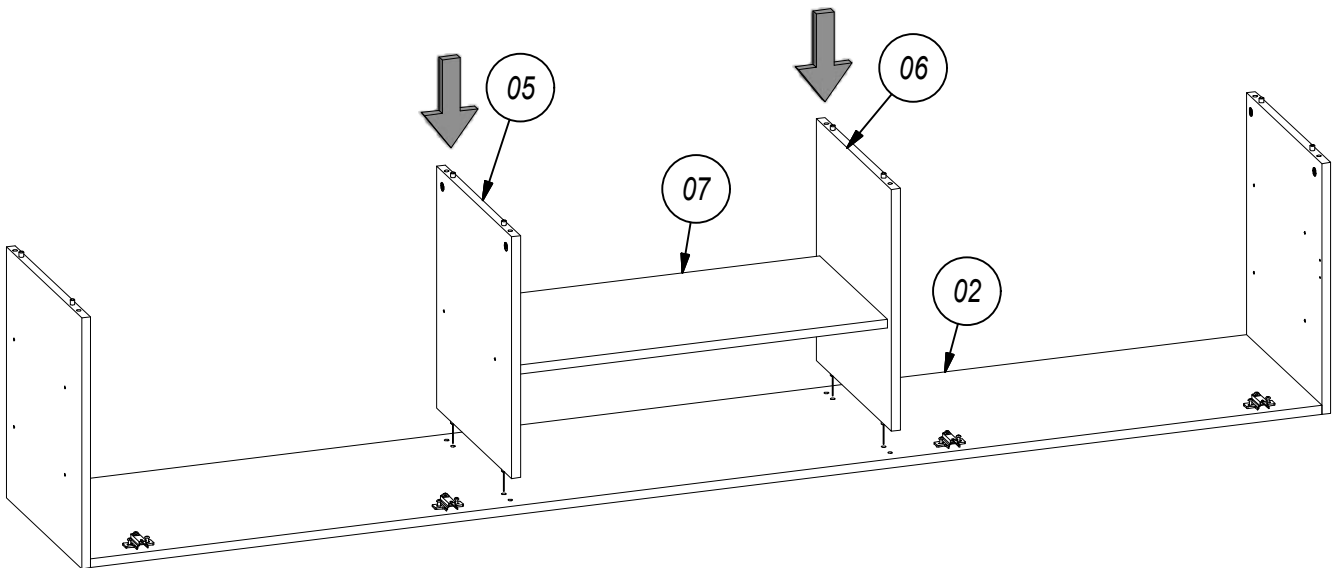
II



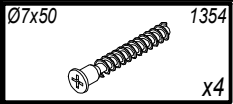
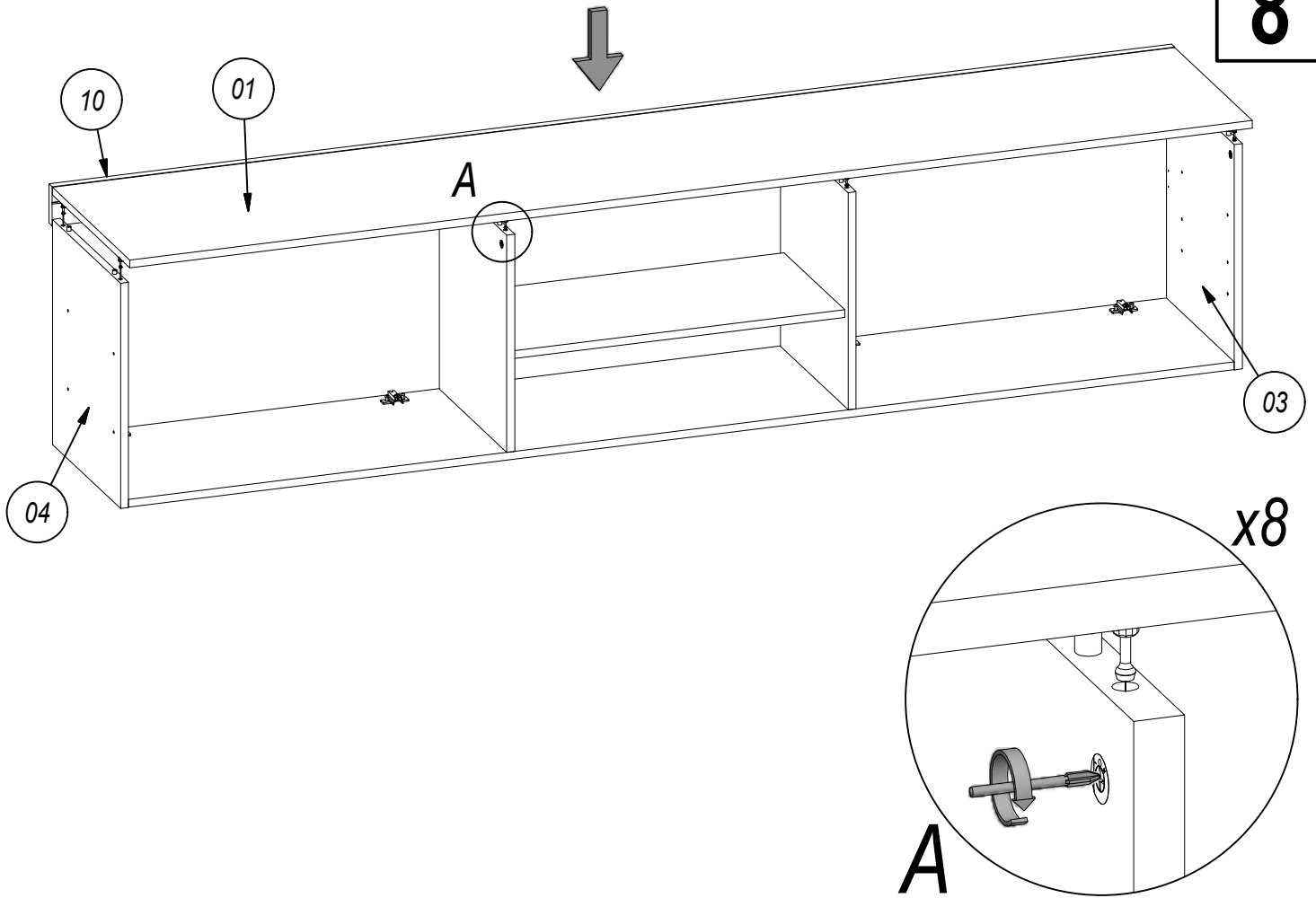
6



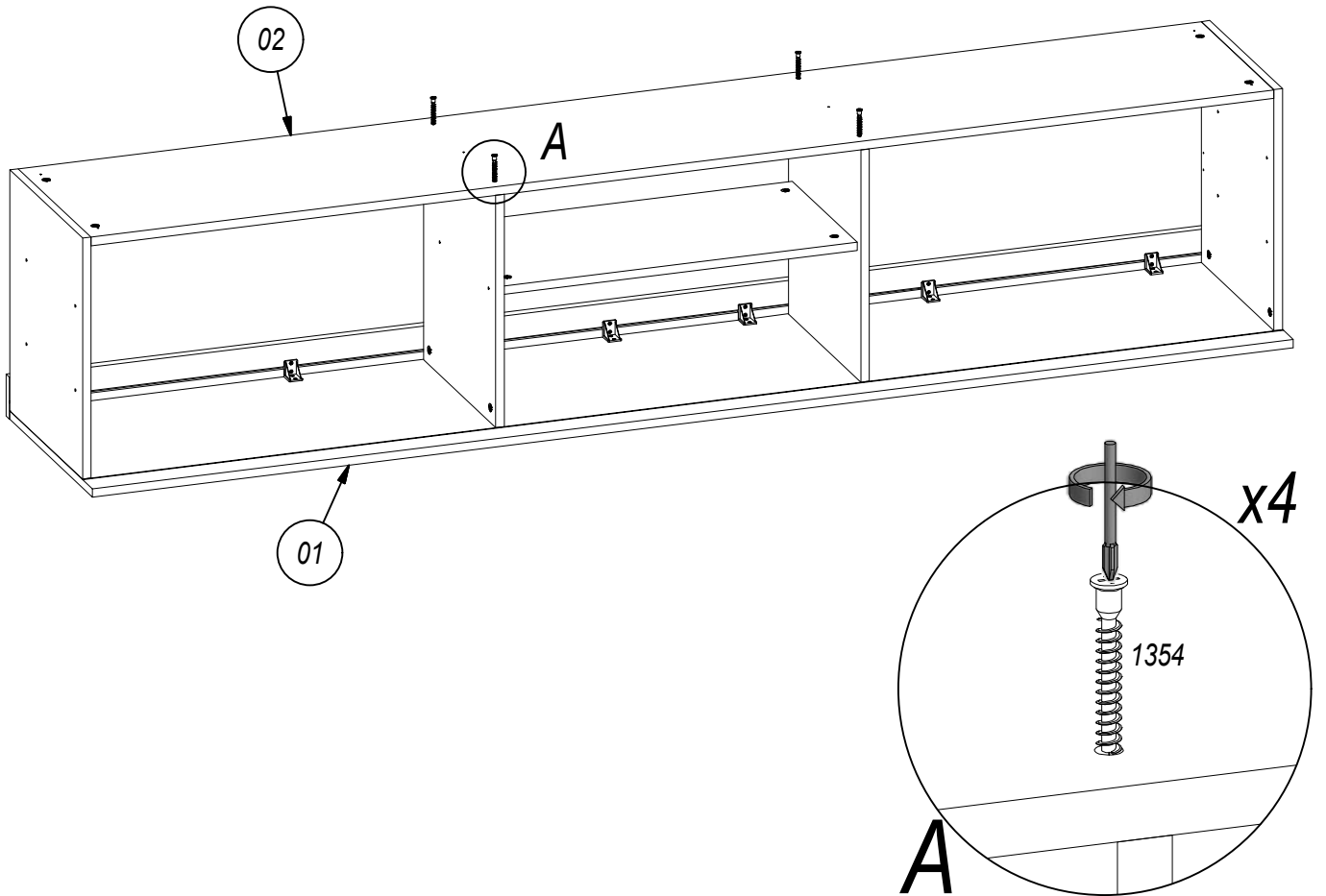
7



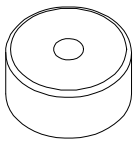
8



9



PLASTIC 1005



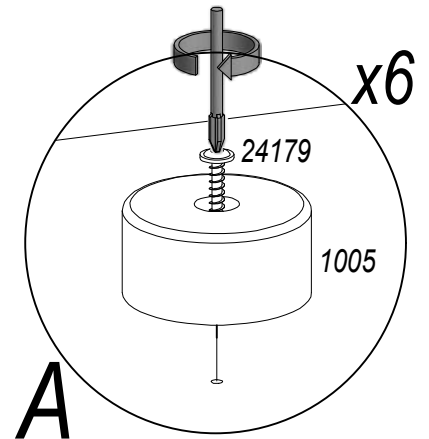
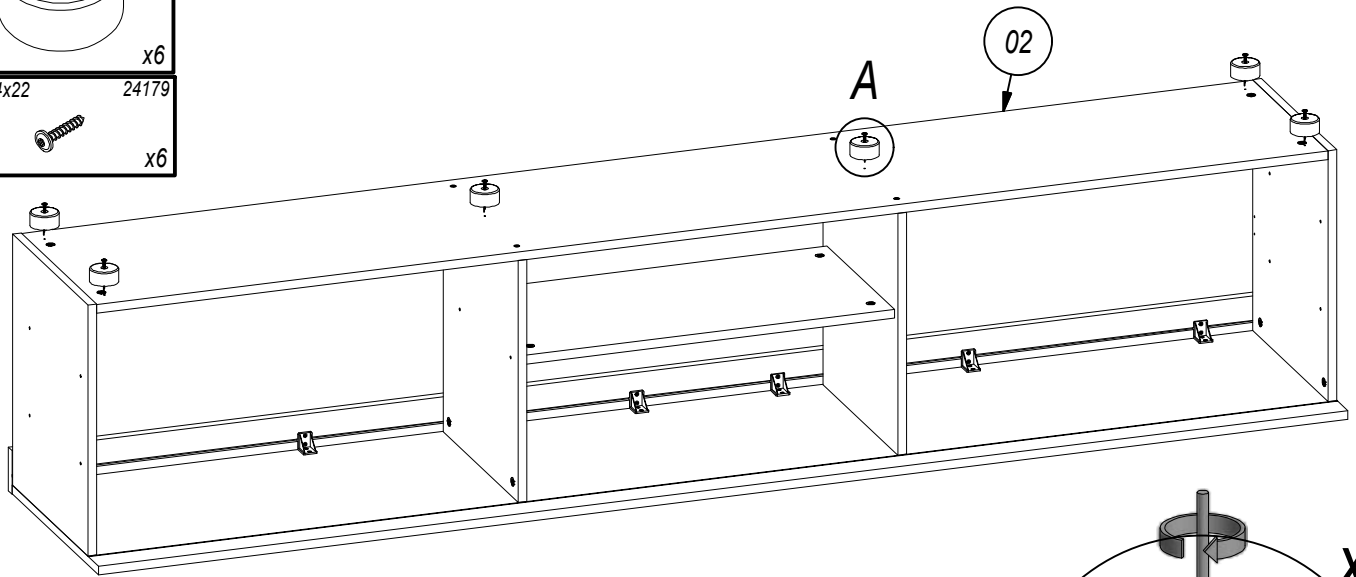
x6

UP Ø4x22 24179

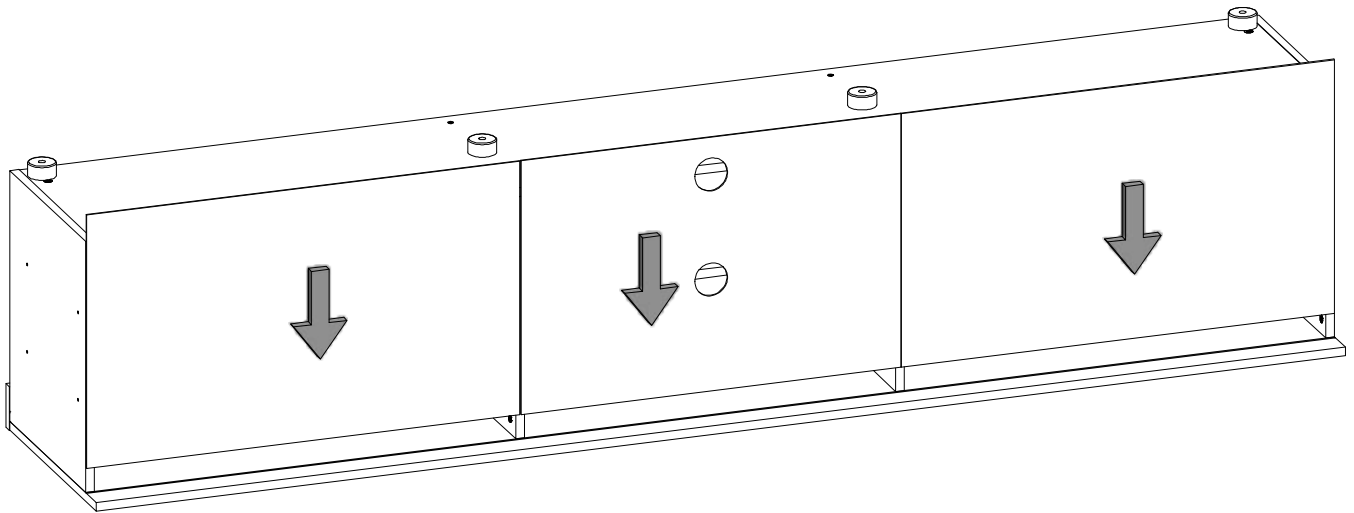





x6

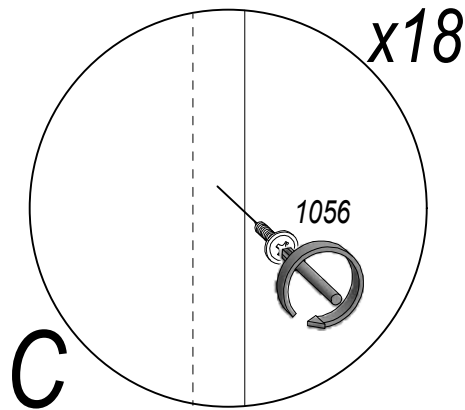
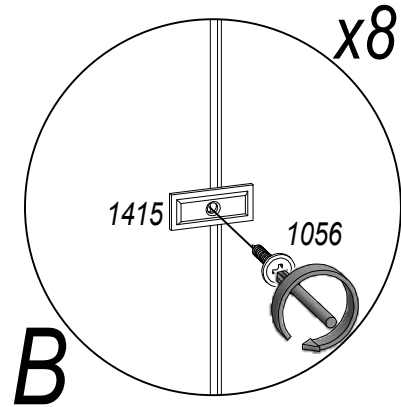
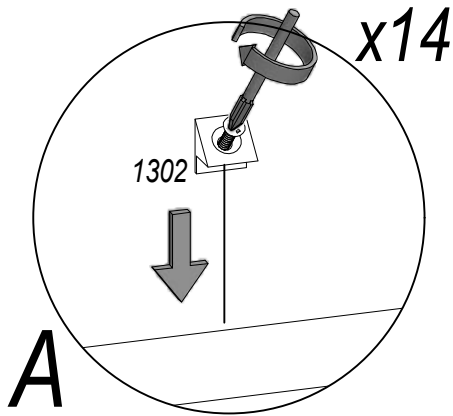
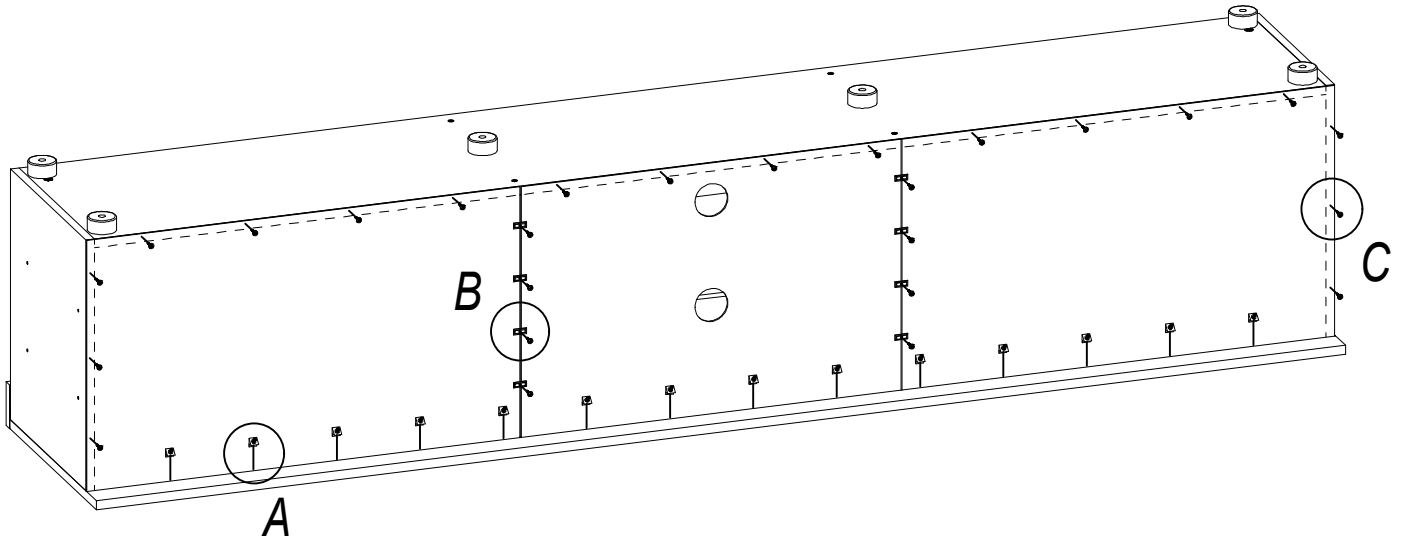
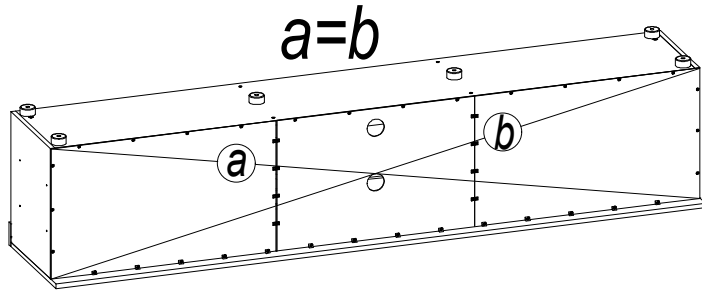
10



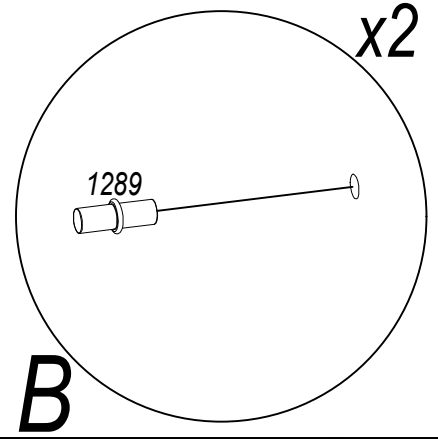
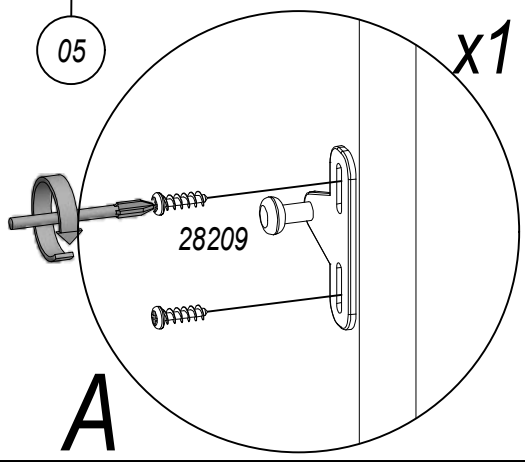
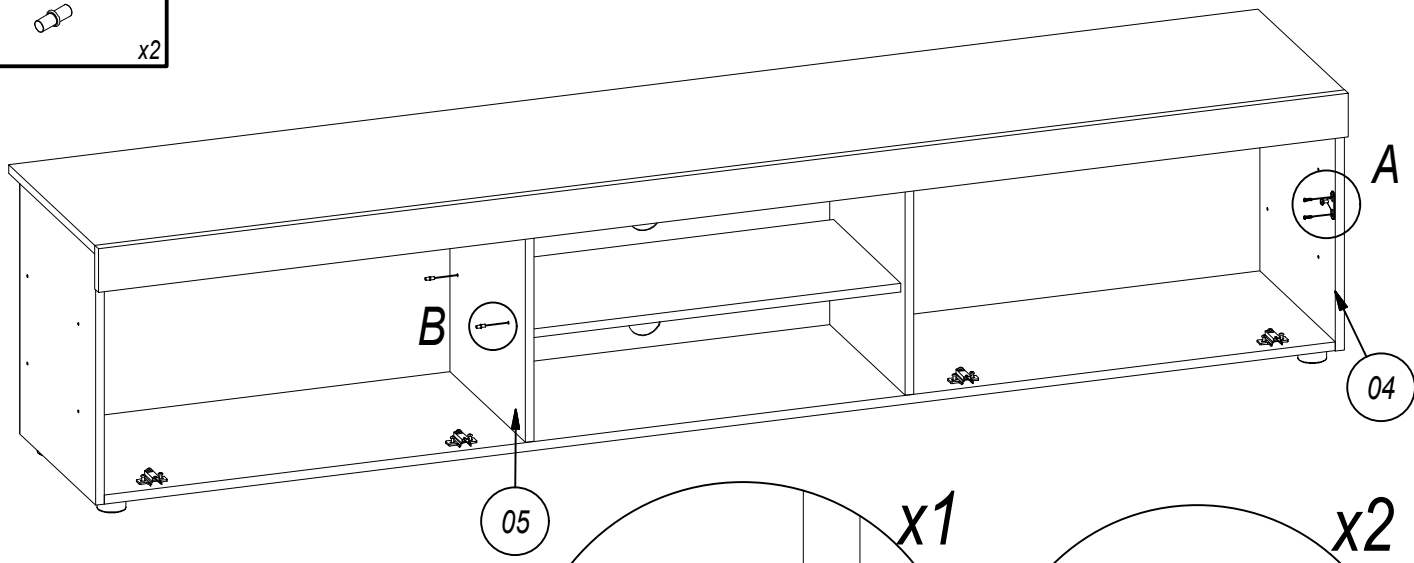
11



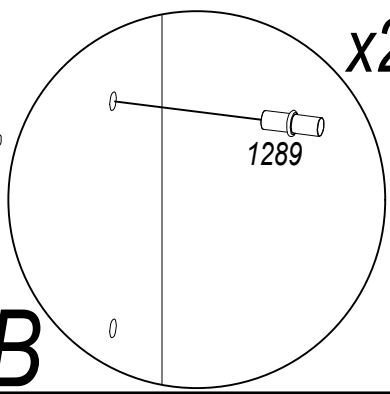
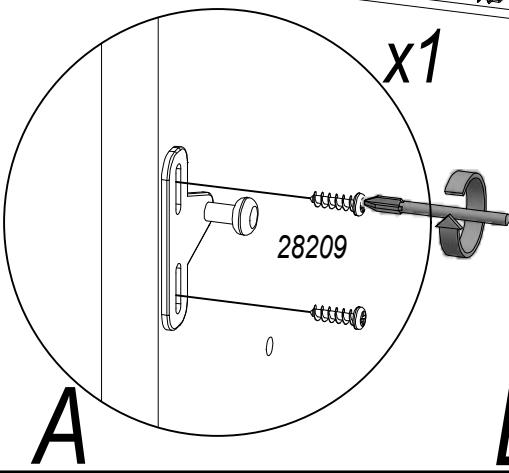
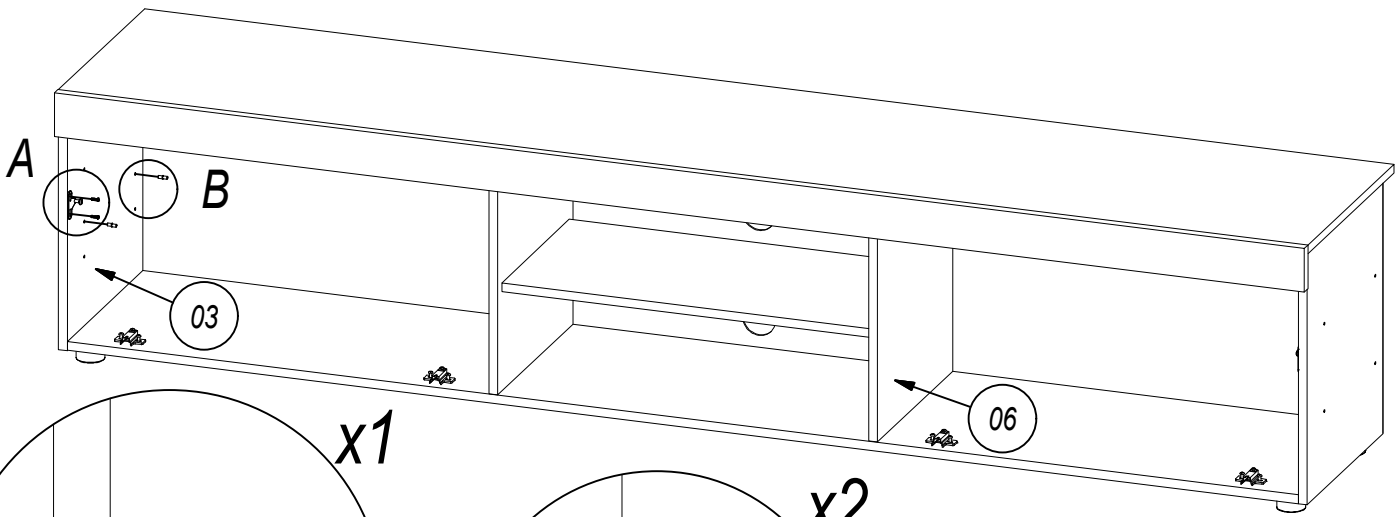
UP Ø3x20	1056
	x26
23x10x2	1415
	x8
	1302
	x14



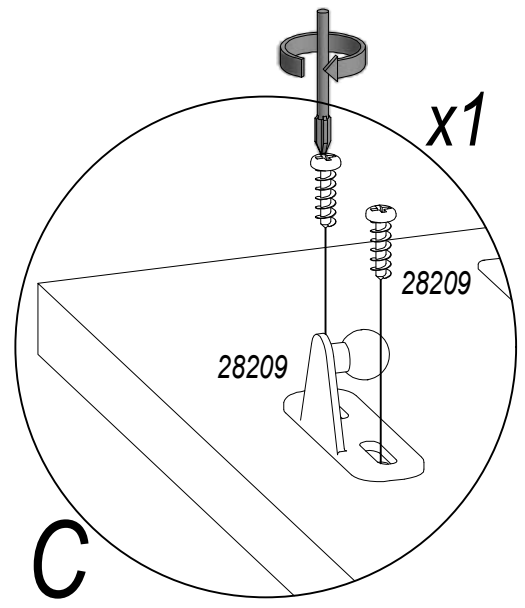
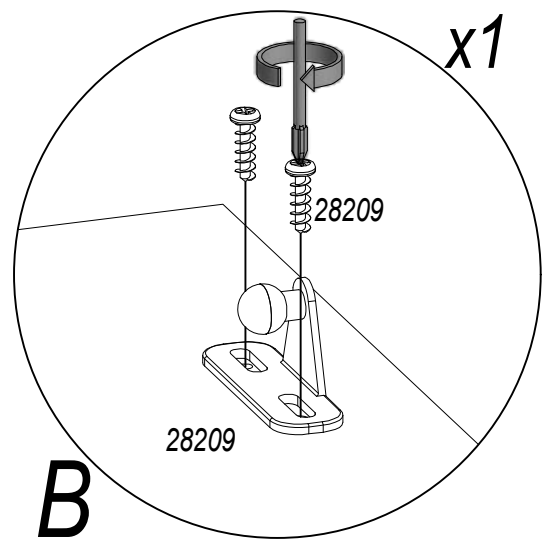
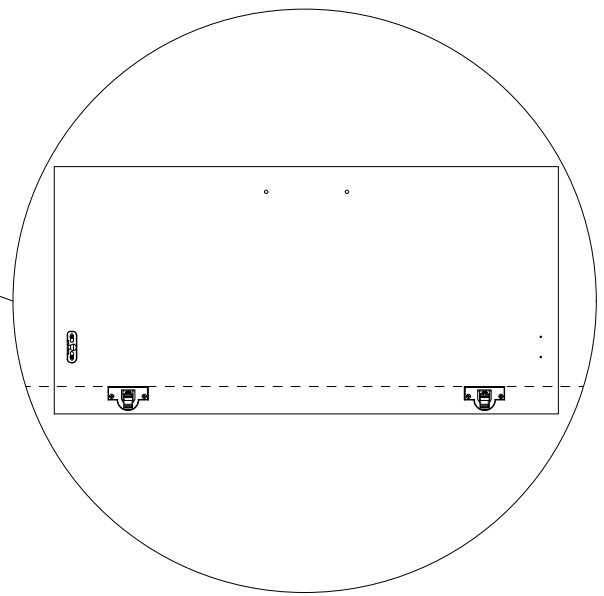
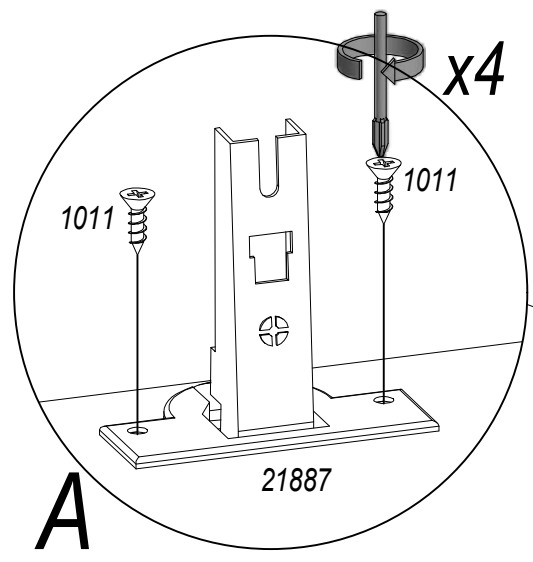
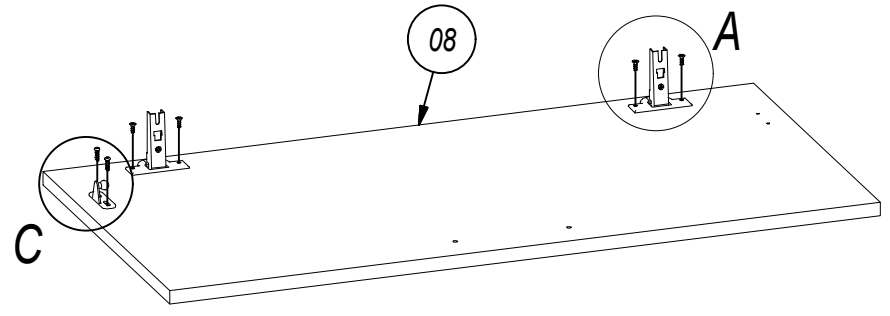
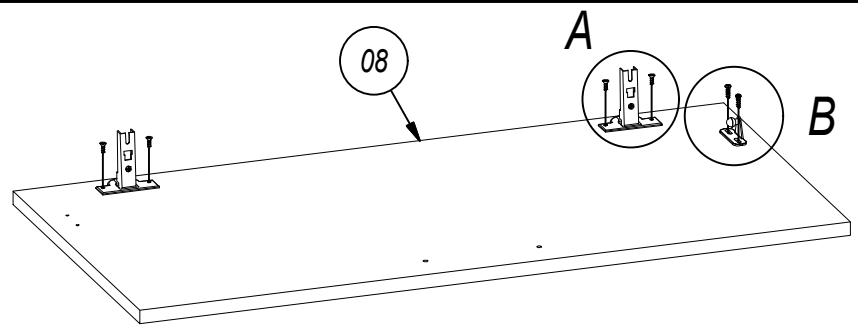
- 28209 x1
- 1289 x2

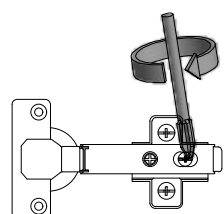
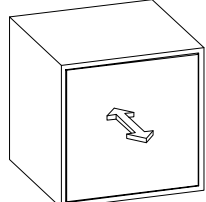
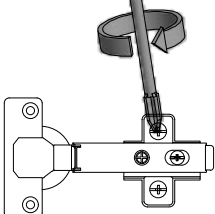
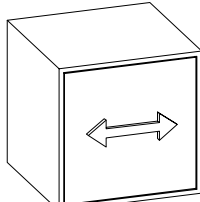
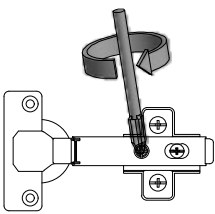
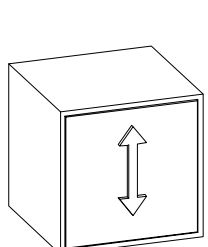
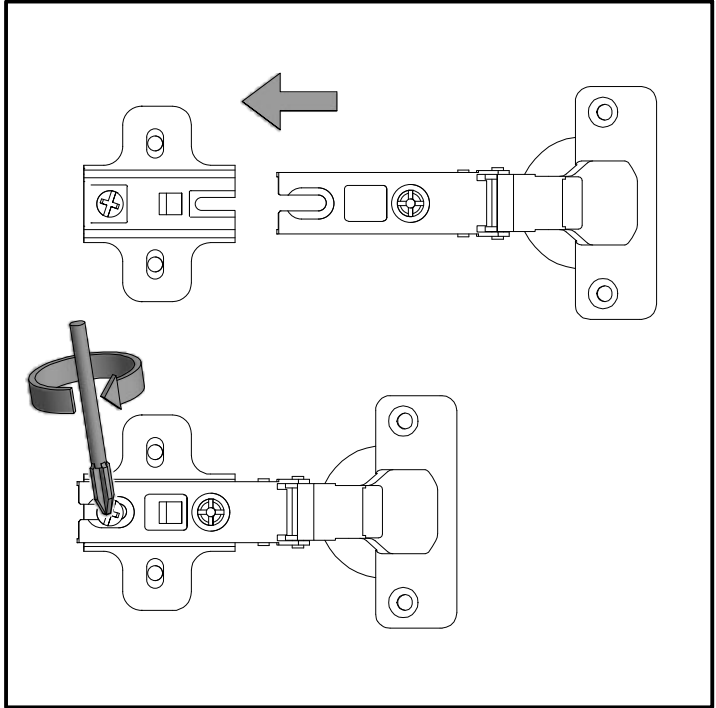
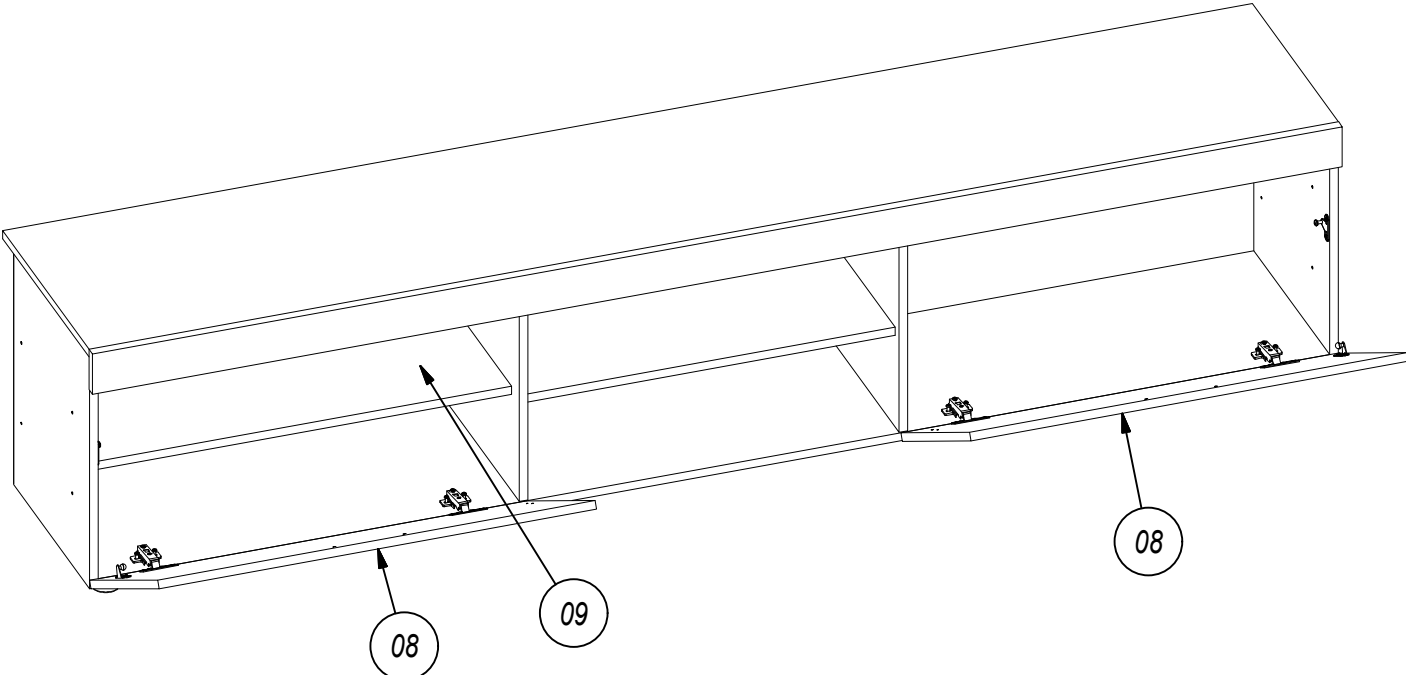


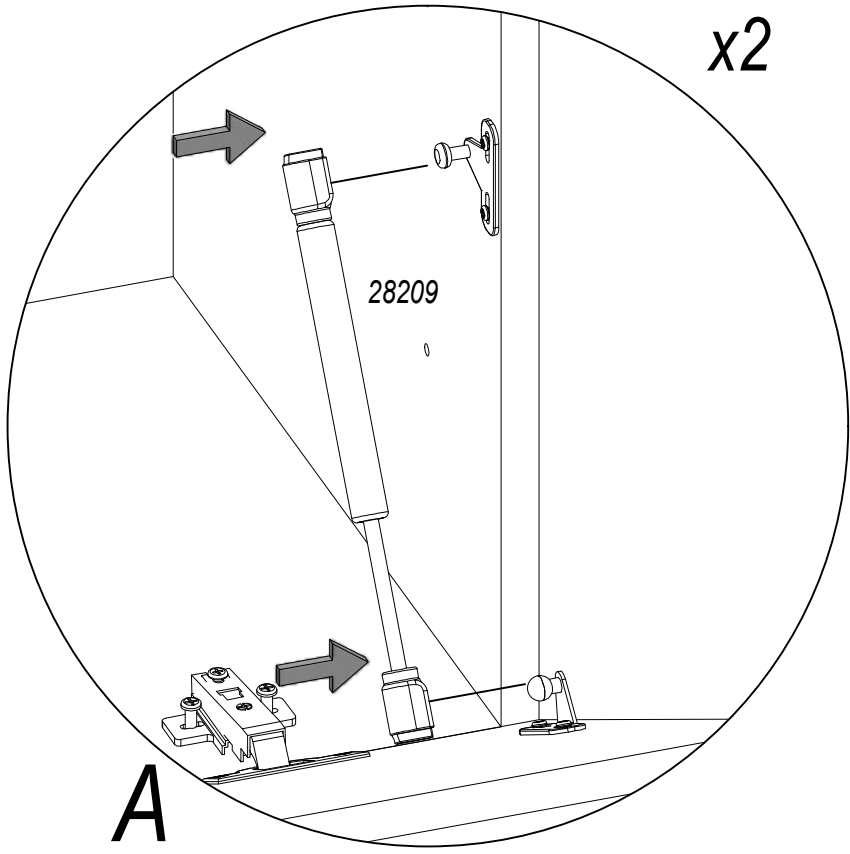
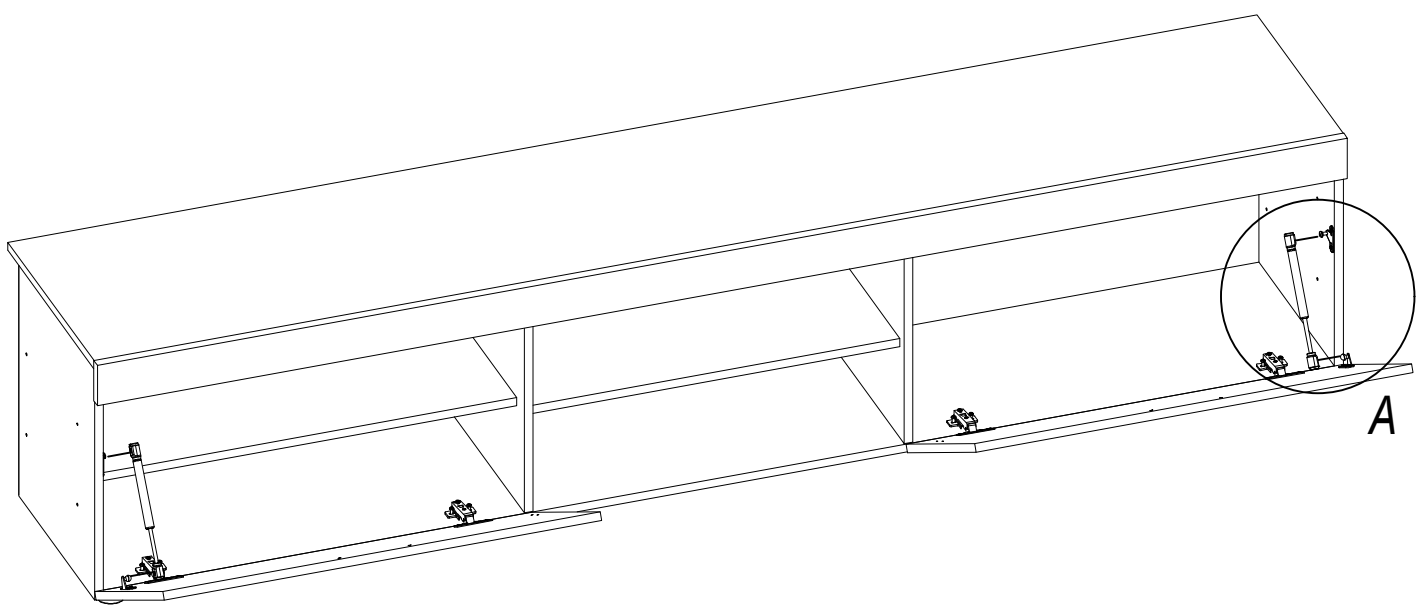
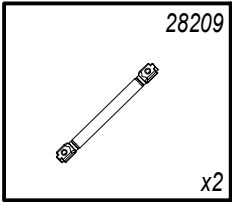
- 28209 x1
- 1289 x2

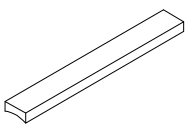




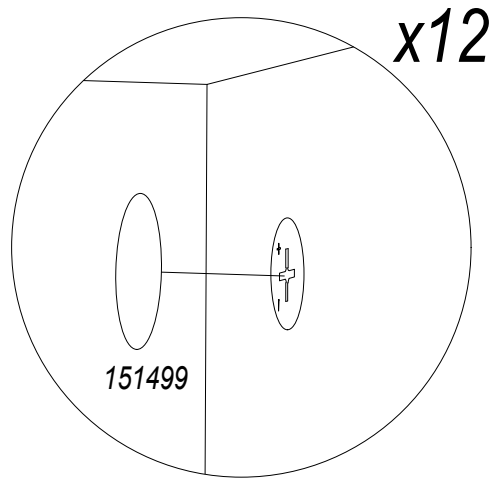
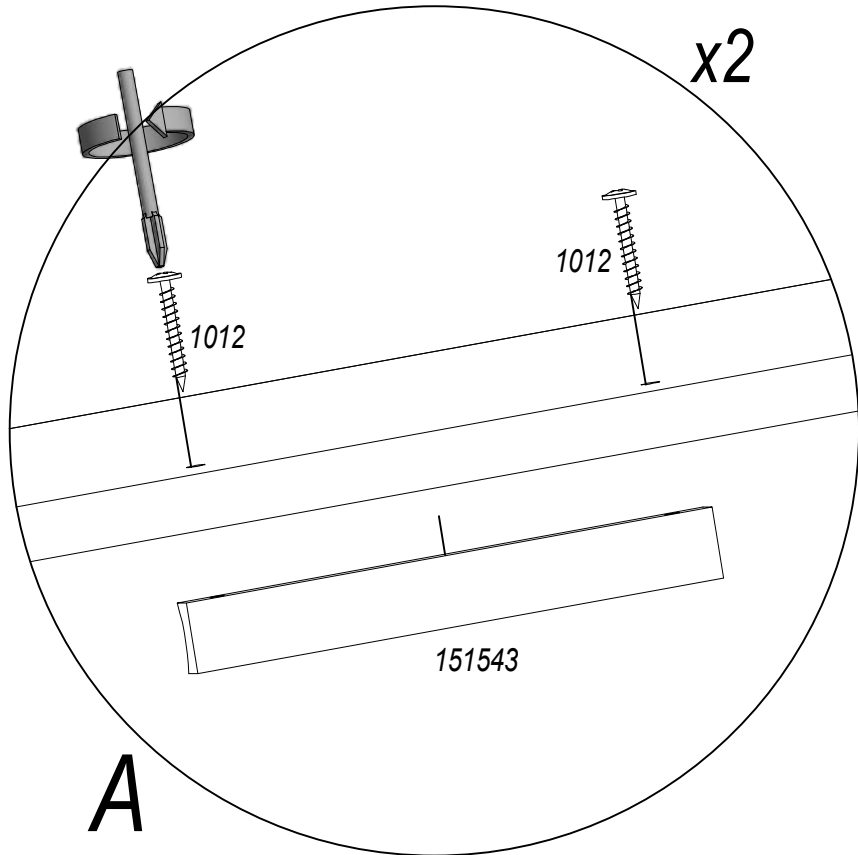
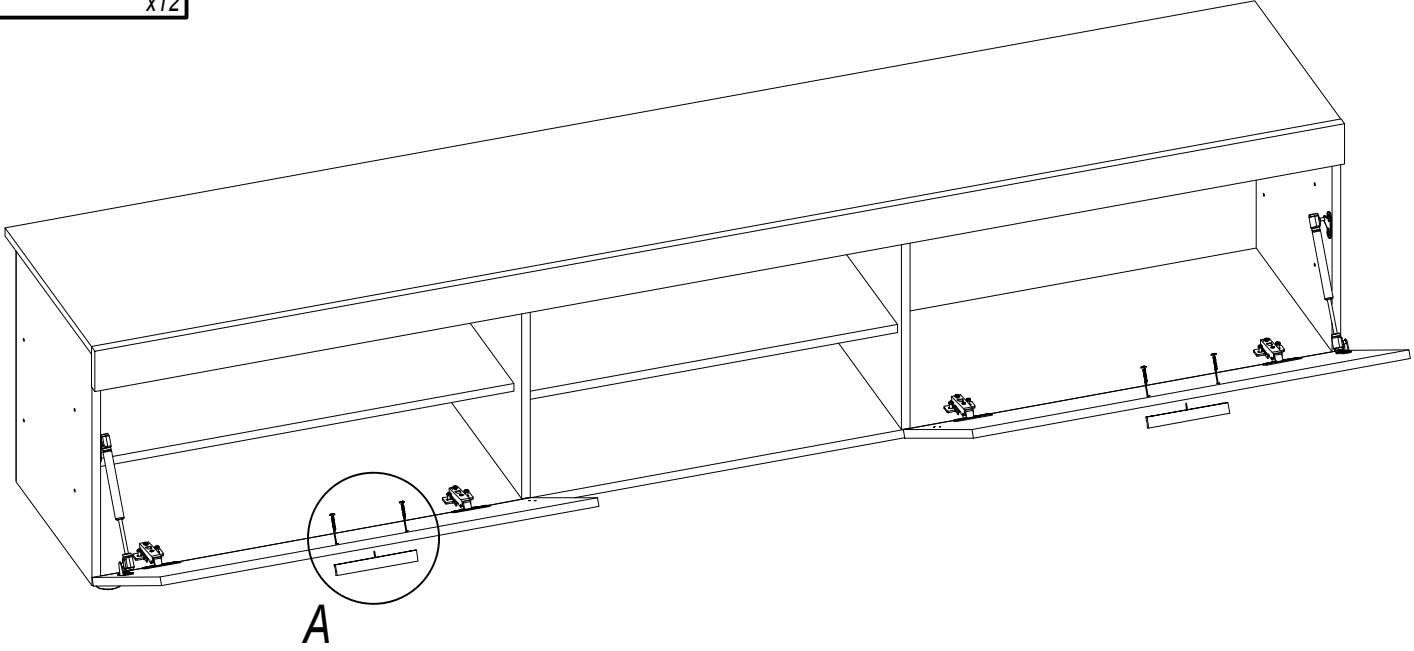
- Ø35 KR 0 21887 x4
- 28209 x2
- US Ø3,5x13 1011 x8

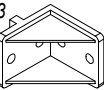





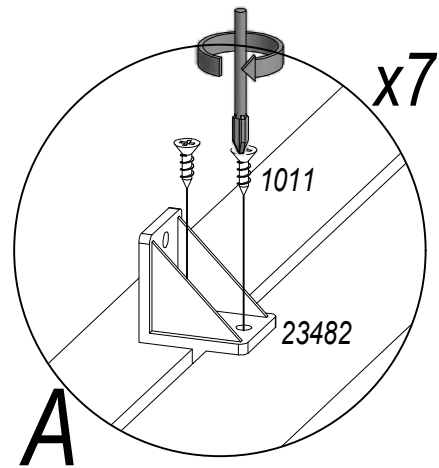
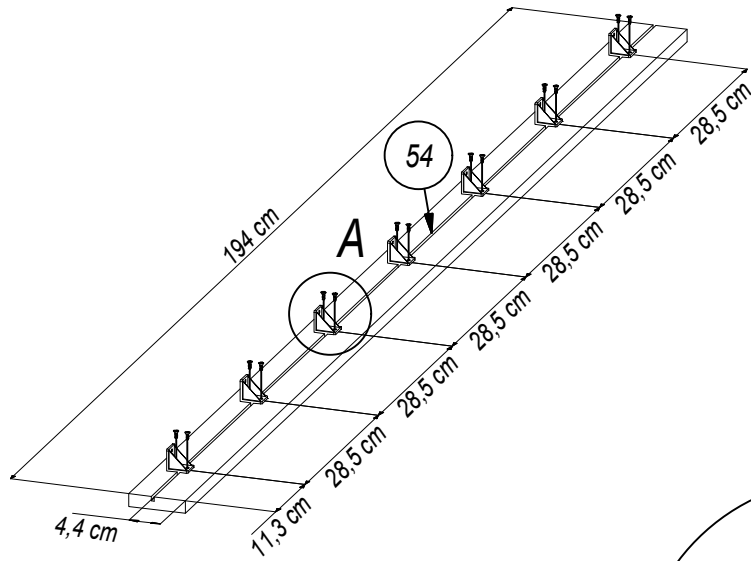



- 151543

PLASTIC x2
- UP Ø4x30 1012

x4
- Ø20 151499

x12



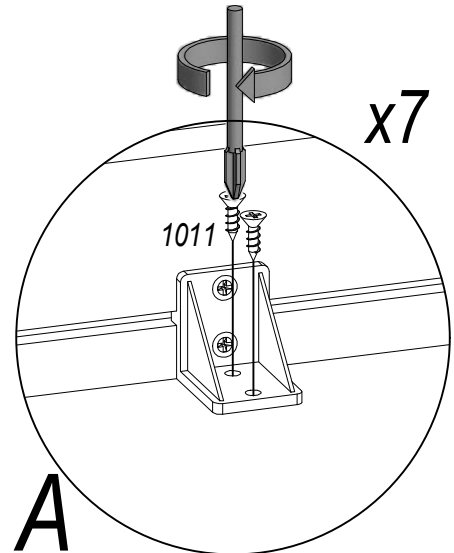
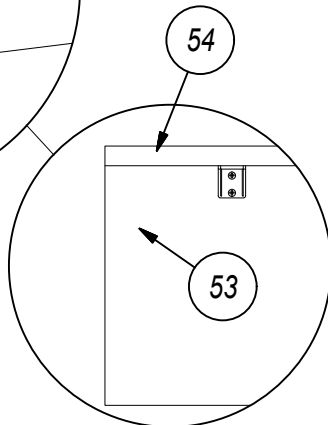
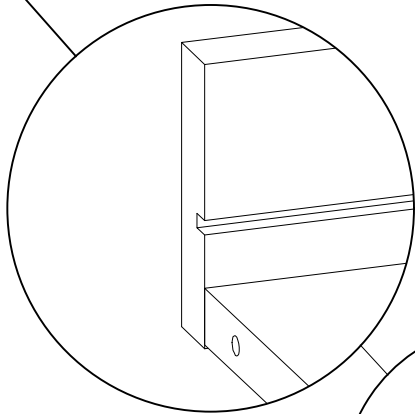
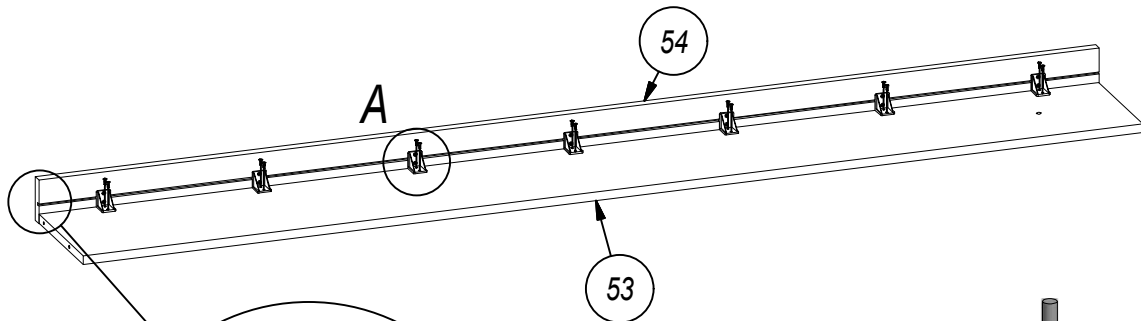
30x30x3	23482
	x7
US Ø3,5x13	1011
	x14

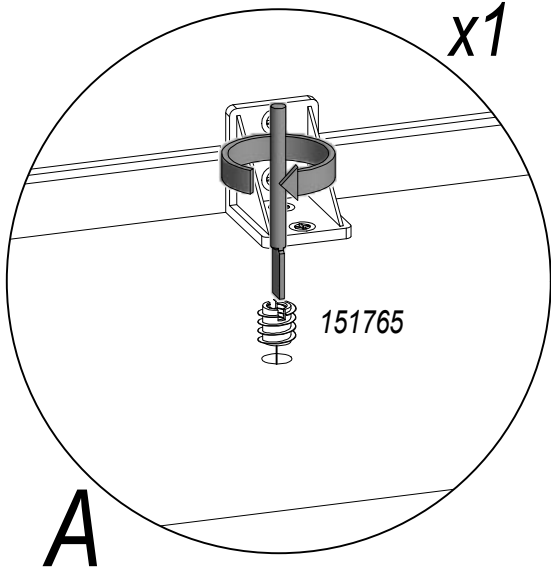
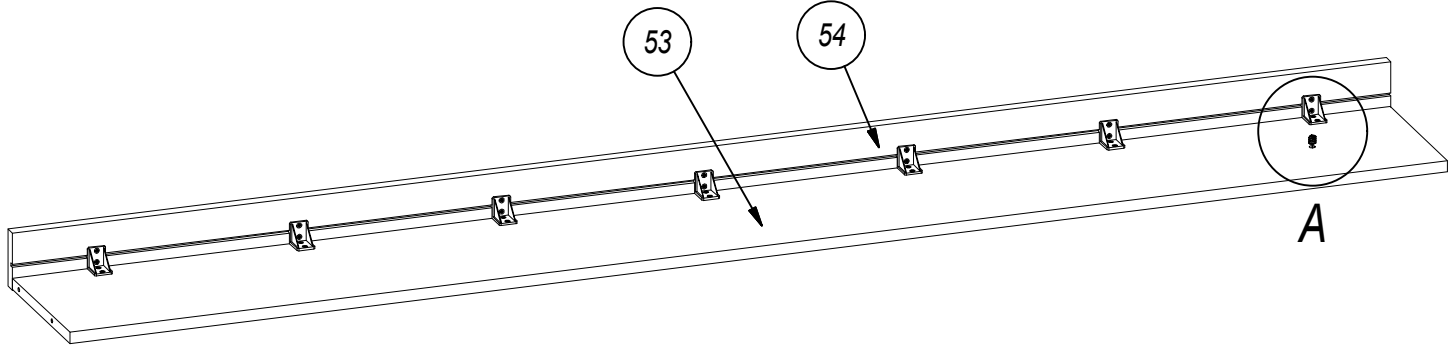
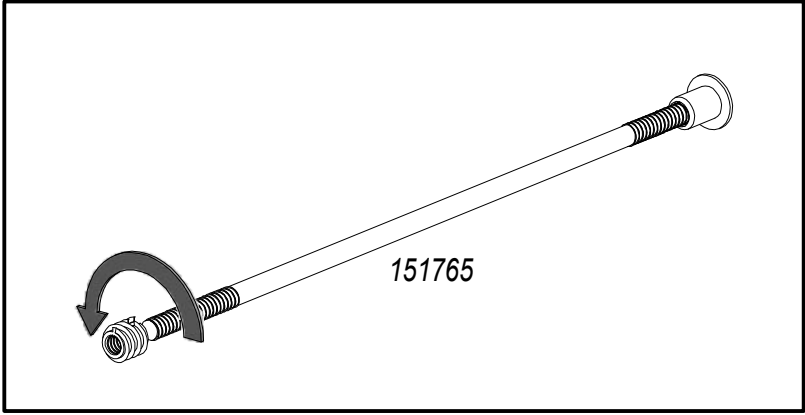
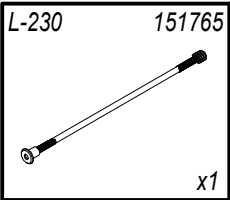
19

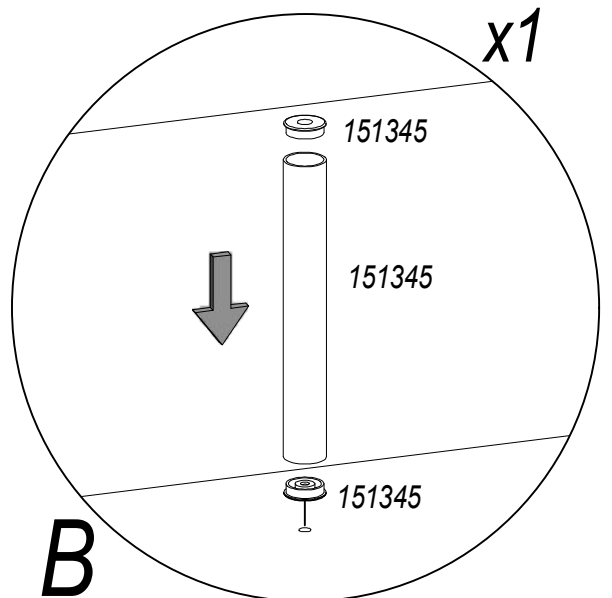
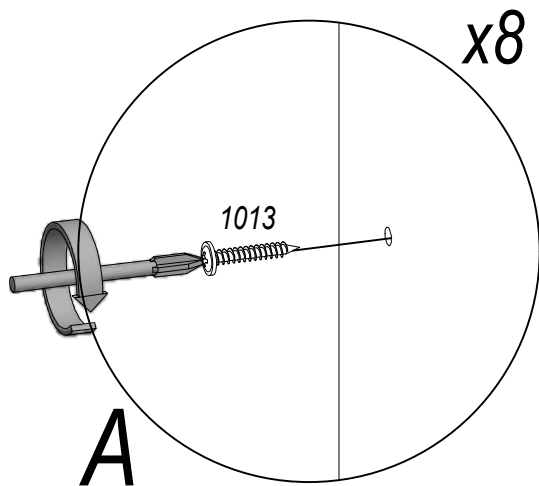
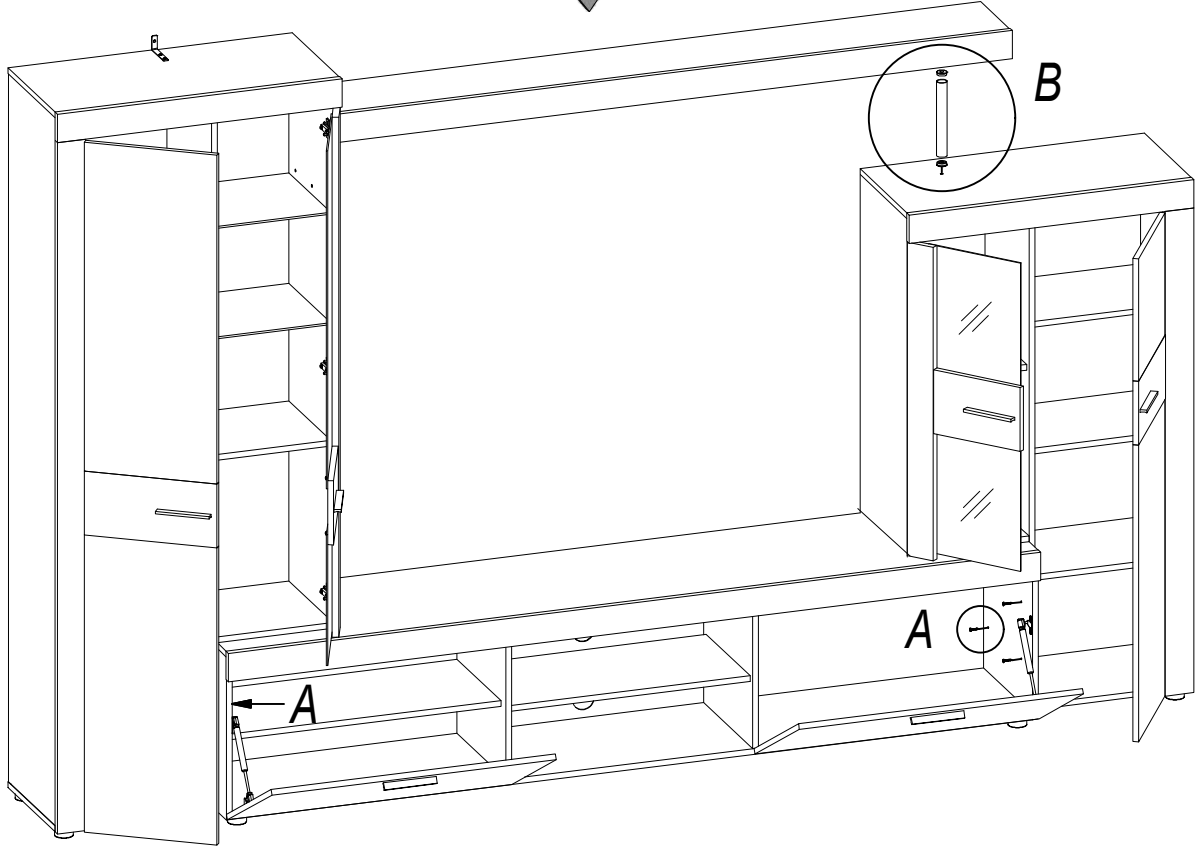
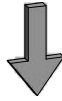
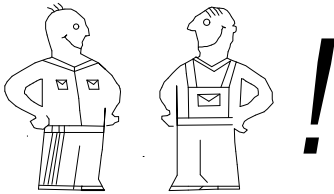
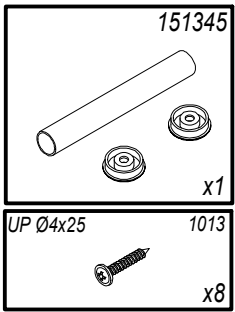


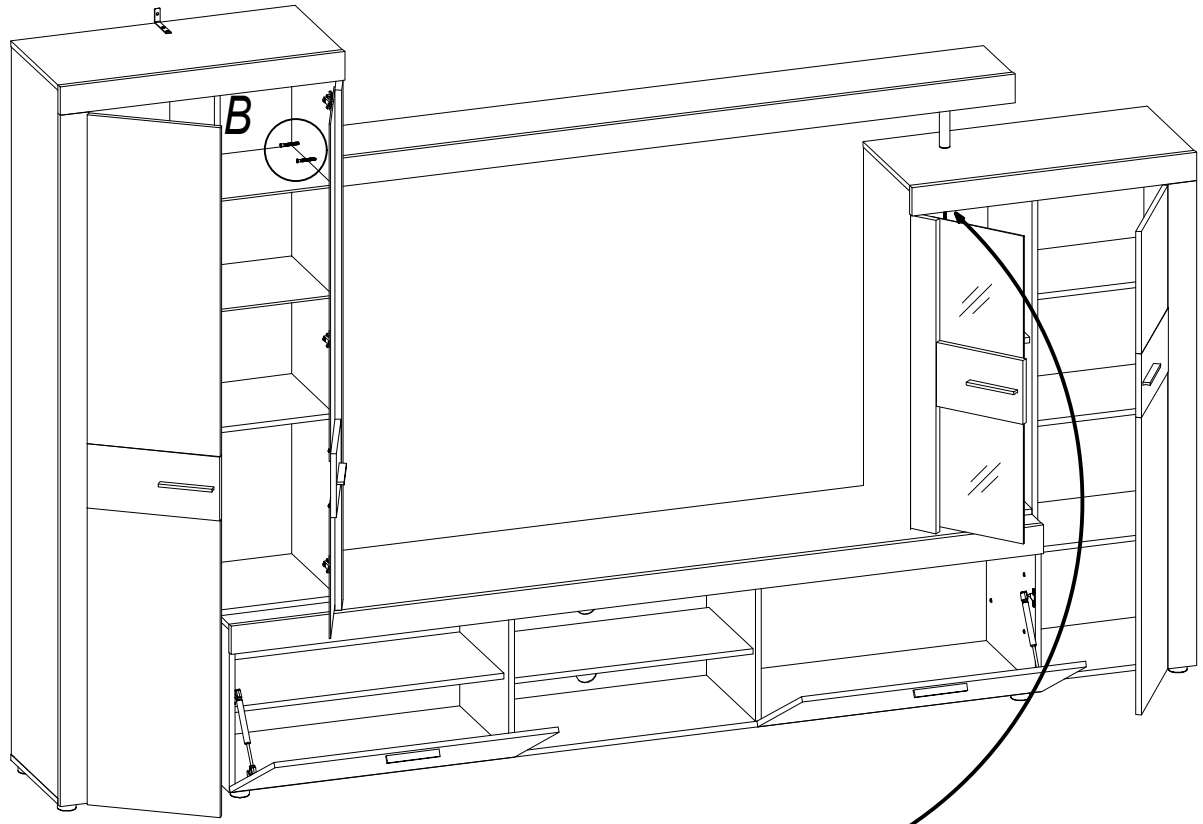
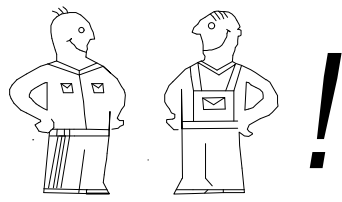
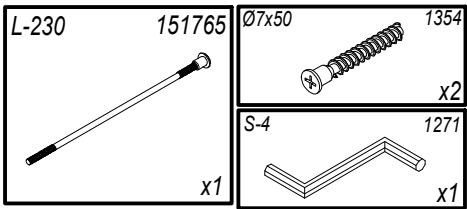
US Ø3,5x13	1011
	x14

20









A

