










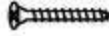
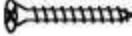
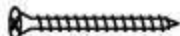






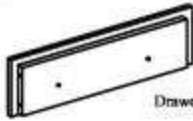
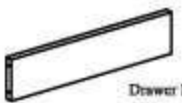
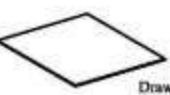
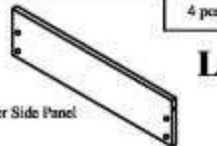












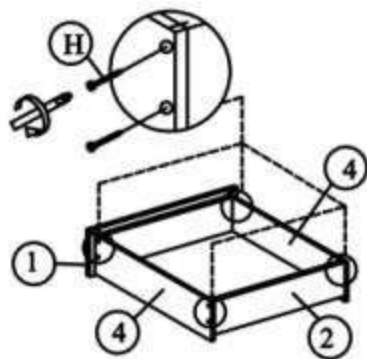


PERCY

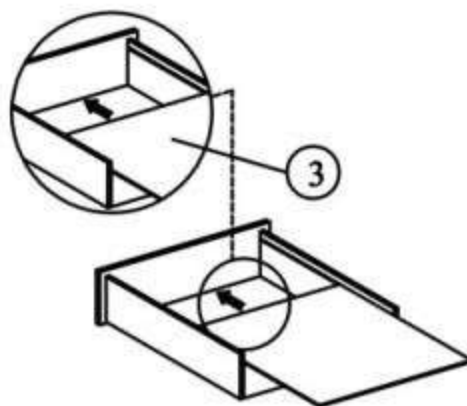
Item AA  A Headboard 1 pc	Item AB  B Footboard 1 pc	Item AC  C Side Rail 2 pcs	Item A  T Plastic Dowel (8 x 25) 15 pcs	Item B  U JCBC W M6 x 40 9 pcs	Item C  V JCBC M6 x 40 2 pcs	Item D  W JCBC M6 x 60 2 pcs	
Item AD  D Slat 1 pc	Item AE  E Center Rail 1 pc	Item AF  F Support Leg 2 pcs	Item E  X CSK M3.5 x 16 mm 28 pcs	Item F  Y CSK M4 x 25 mm 1 pc	Item G  Z CSK M4 x 32 mm 18 pcs	Item H  Z1 CSK M4 x 50 mm 16 pcs	
Item AG  G Drawer Slide 500 4 pcs	Item AH  H Drawer Slide 500 4 pcs		Item I  Z2 M6 Flat Washer 10 pcs	Item J  Z3 Mini Fix Bolt 6 pcs	Item K  Z4 Mini Fix Housing 6 pcs	Item L  Z5 Mini Fix Cap 6 pcs	
Item 1  I Drawer Front Panel 2 pcs	Item 2  J Drawer Back Panel 2 pcs	Item 3  K Drawer Bottom Panel 2 pcs	Item 4  L Drawer Side Panel 4 pcs	Item M  M 4 pcs	Item 5  N 1 pc	Item 6  O 1 pc	Item 7  P 1 pc
Item 8  Q 1 pc	Item 9  R 1 pc	Item 10  S 1 pc	Item 11  S 1 pc	Item N  Z7 White Nail Leg 9 pcs	Item O  Z8 Allen Key 65 mm 1 pc	Item P  Z9 Adjuster 2 pcs	
			Item Q  Z10 JCBC M6 x 30 8 pcs				

PERCY

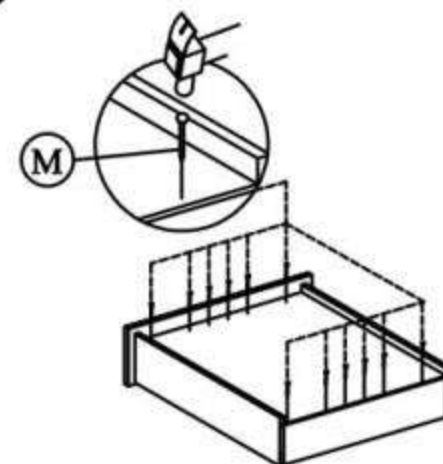
1



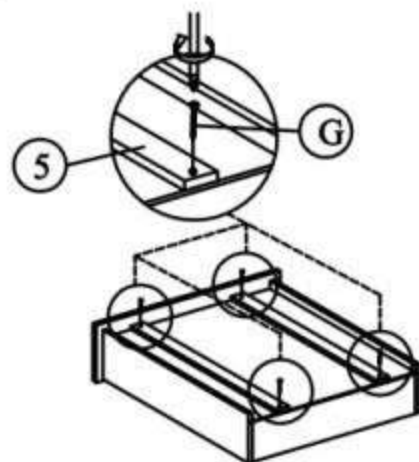
2



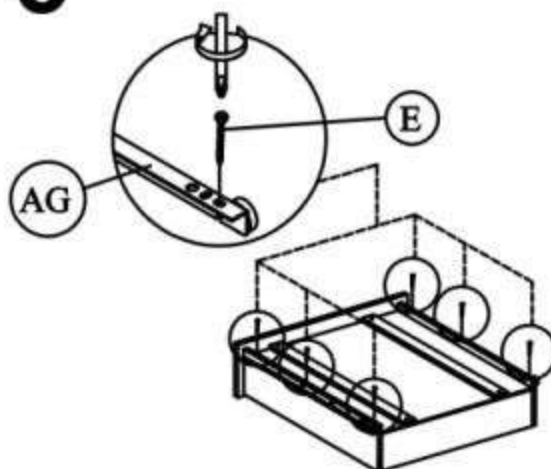
3



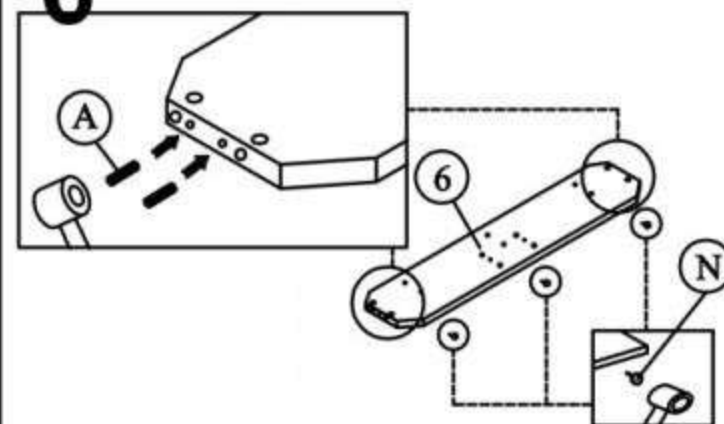
4



5

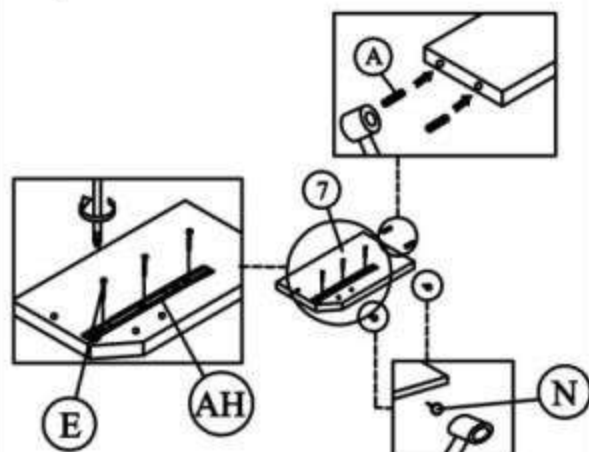


6

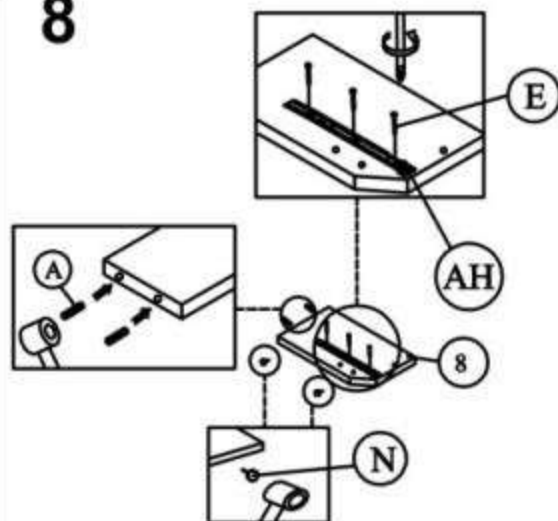


PERCY

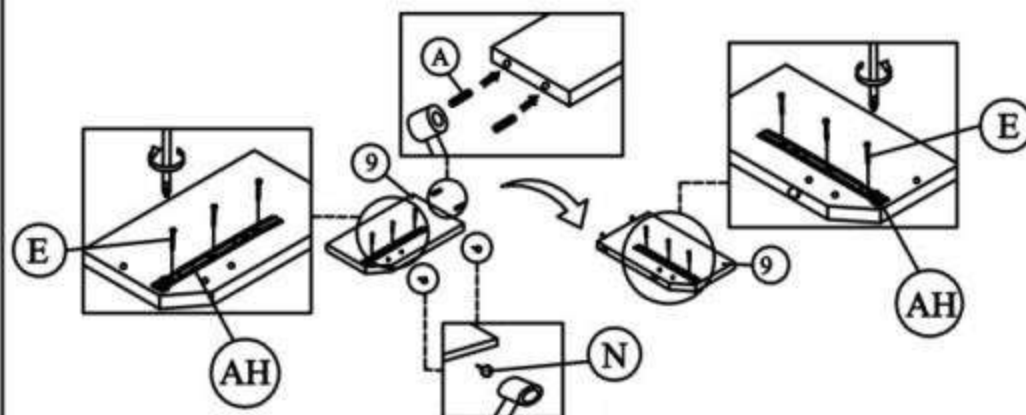
7



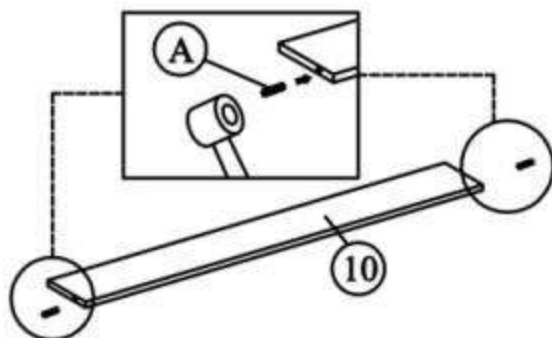
8



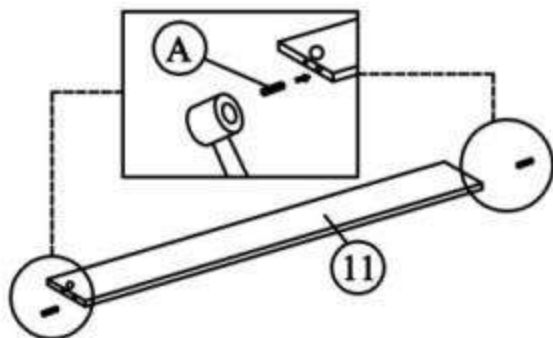
9



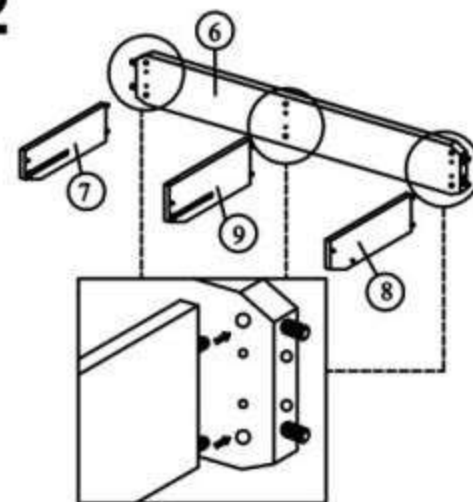
10



11

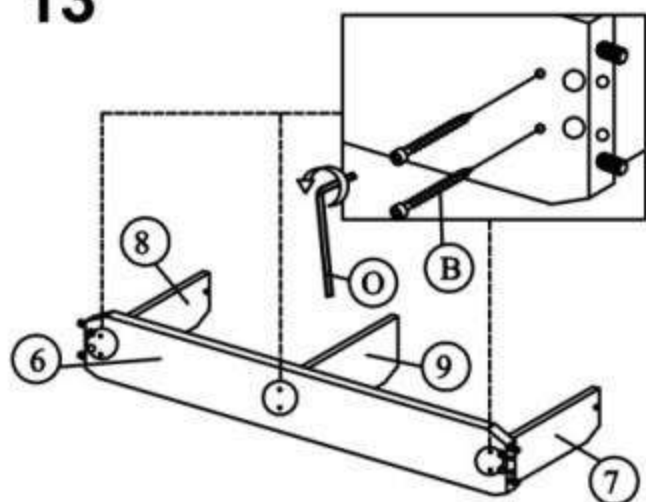


12

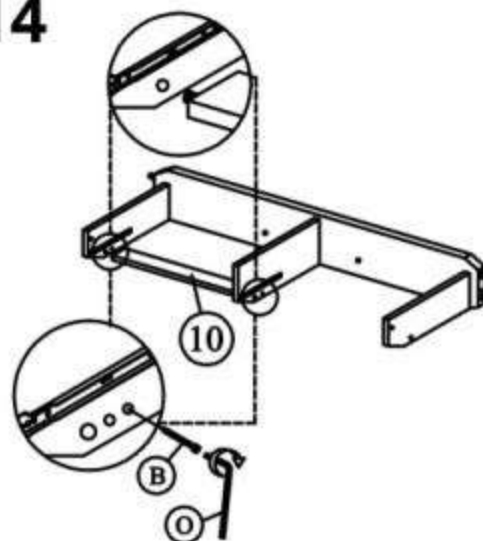


PERCY

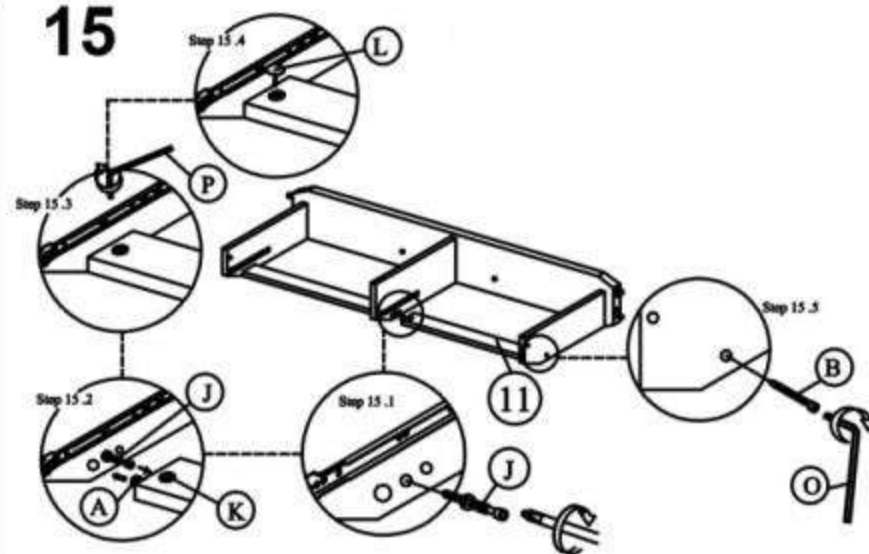
13



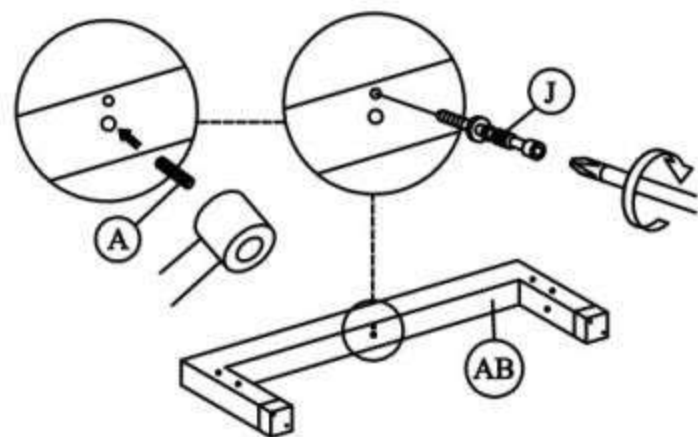
14



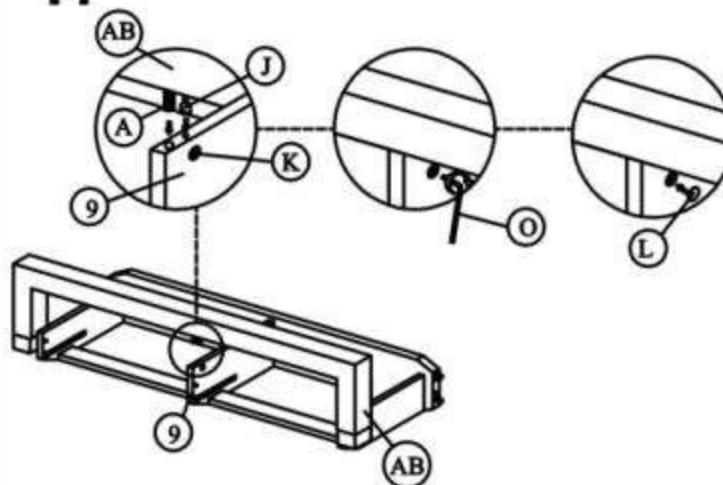
15



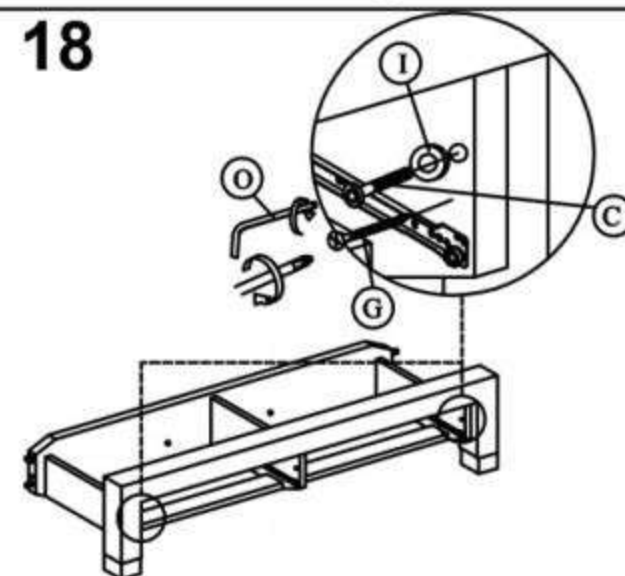
16



17



18

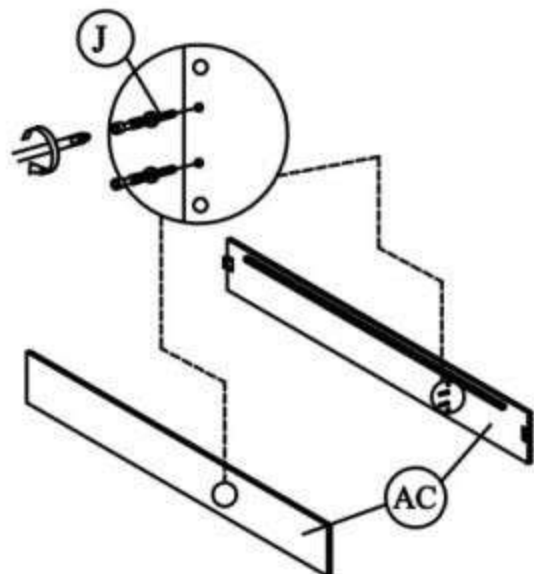


HALMAR Sp. z o.o.

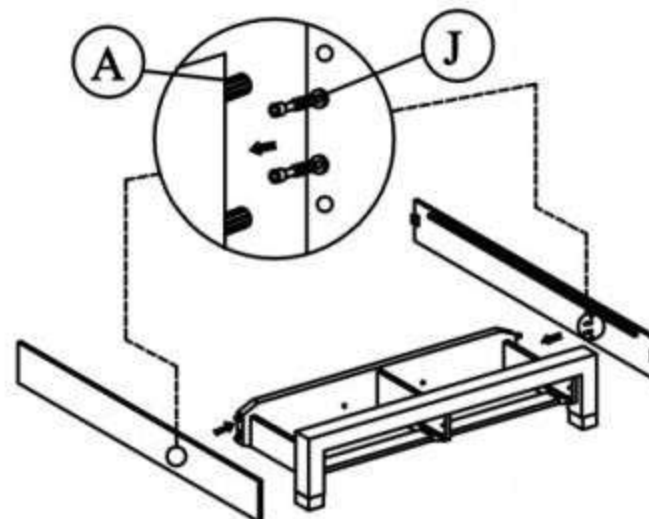
ul. Centralnego Okręgu Przemysłowego 2, 37-450 Stalowa Wola, POLSKA / POLAND
tel. +48 15 843 28 10, fax: +48 15 842 19 57, e-mail: office@halmar.com.pl

PERCY

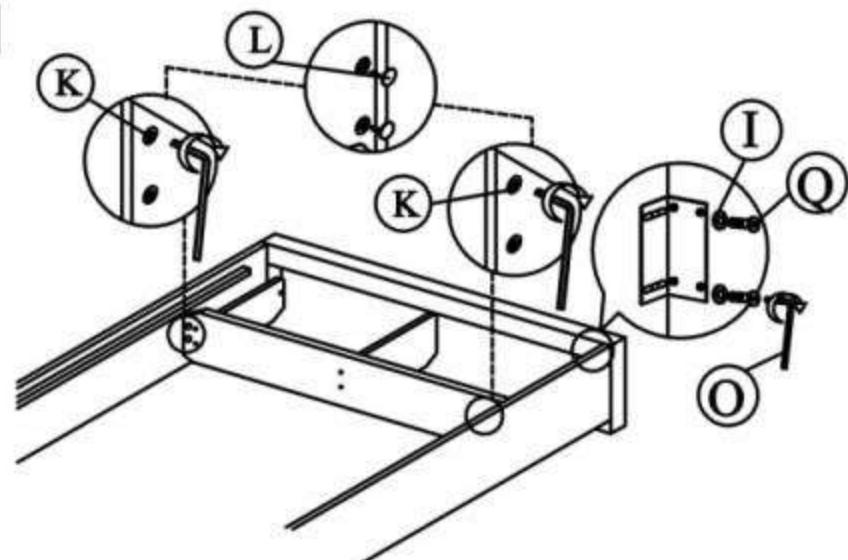
19



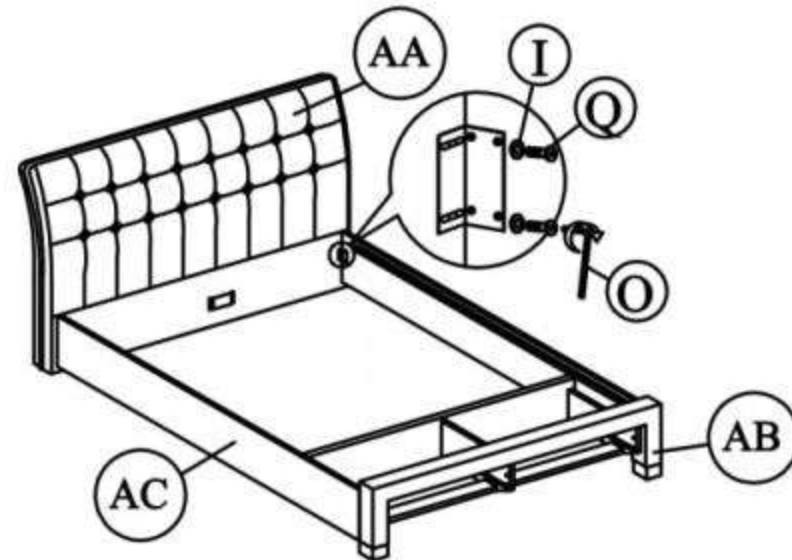
20



21

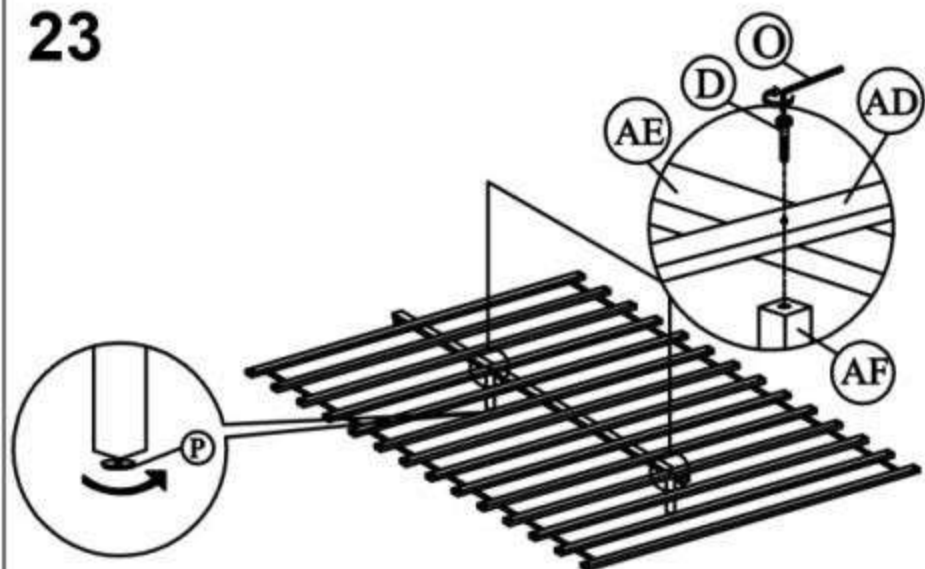


22

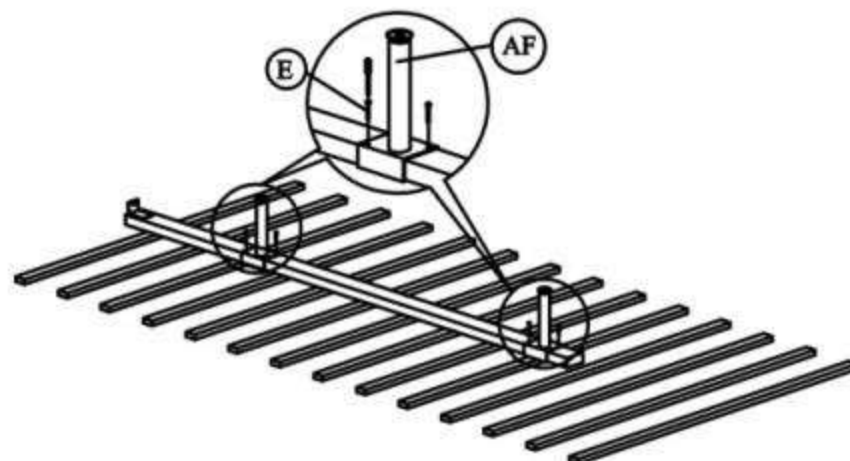


PERCY

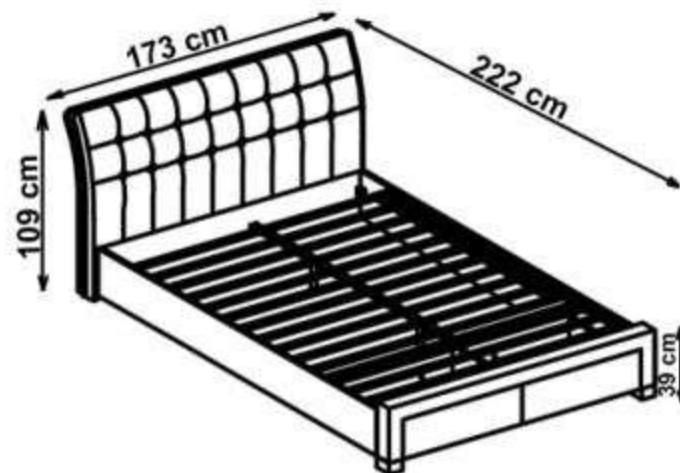
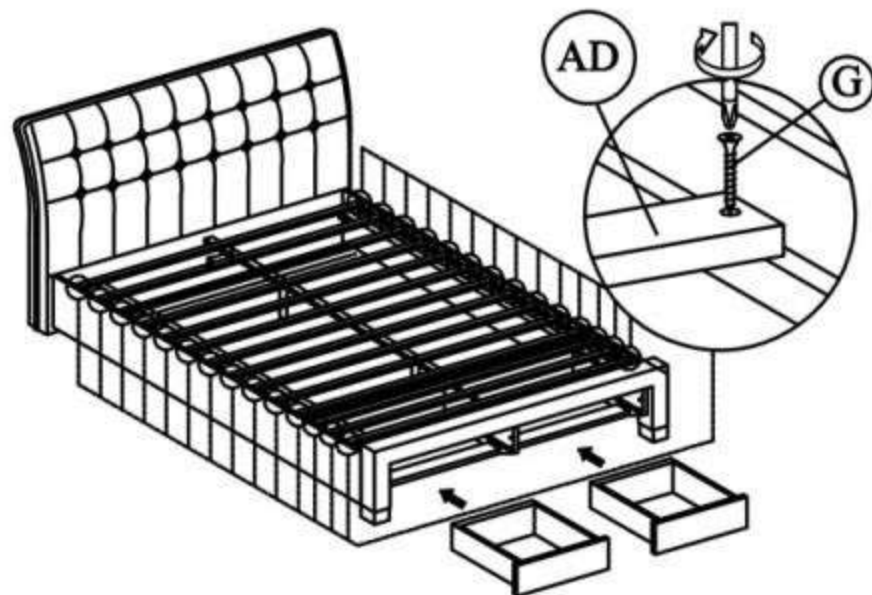
23



24



25



HALMAR Sp. z o.o.

ul. Centralnego Okręgu Przemysłowego 2, 37-450 Stalowa Wola, POLSKA / POLAND
tel. +48 15 843 28 10, fax: +48 15 842 19 57, e-mail: office@halmar.com.pl