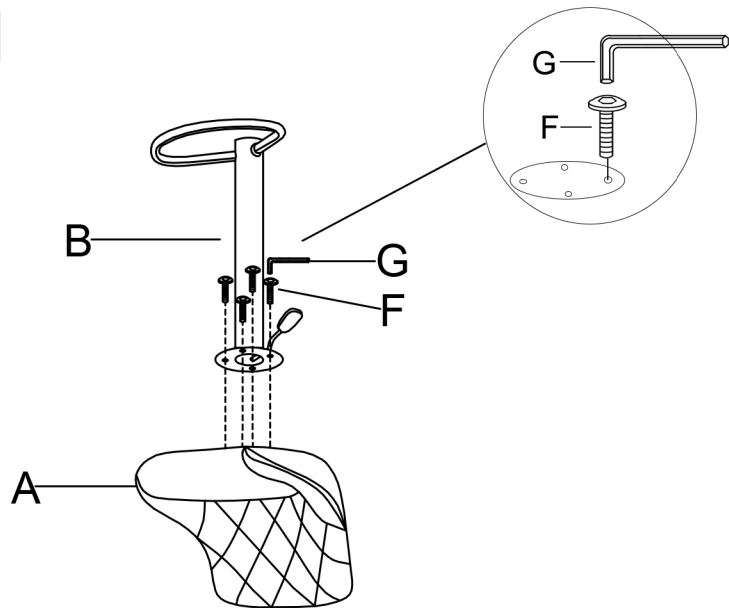
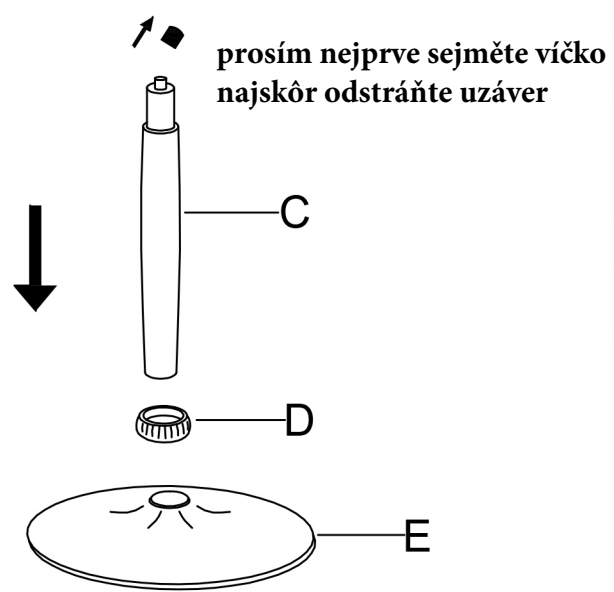


SCH-101

1

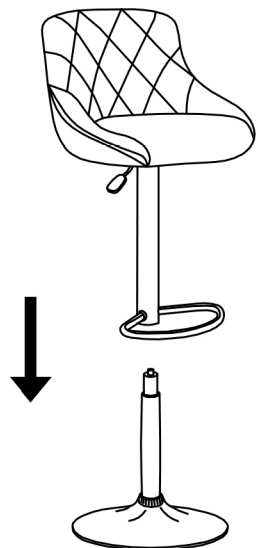


2

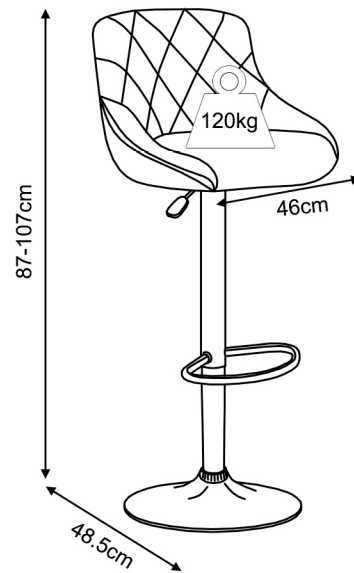


A		X1
B		X1
C		X1
D		X1
E		X1
F	M6x16mm	X4
G	6#	X1

3



4



max. 120 kg