

SCK-473



Ax1



Bx1



Cx1



Dx1



Ex1



M6x50
Fx8



M6x20
Gx8

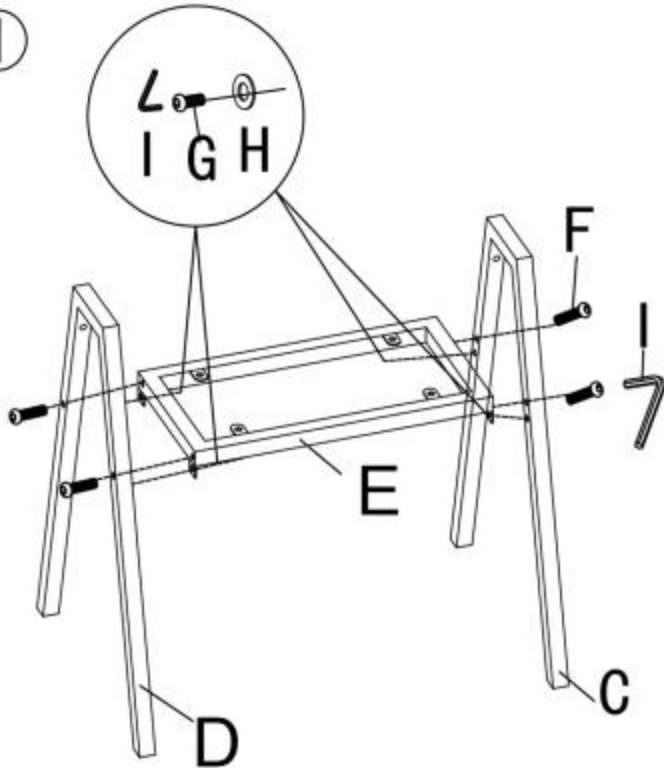


M6
Hx12

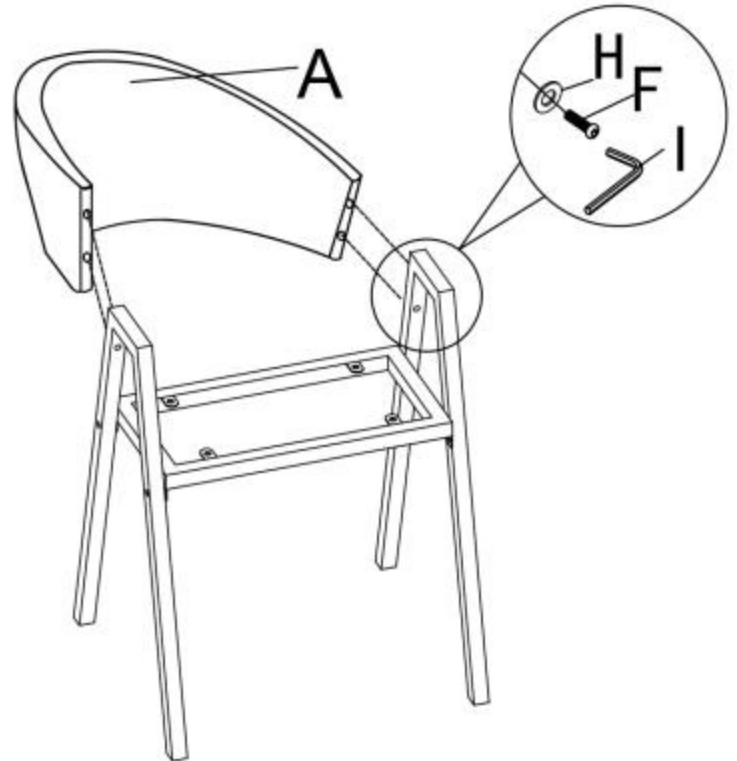


Ix1

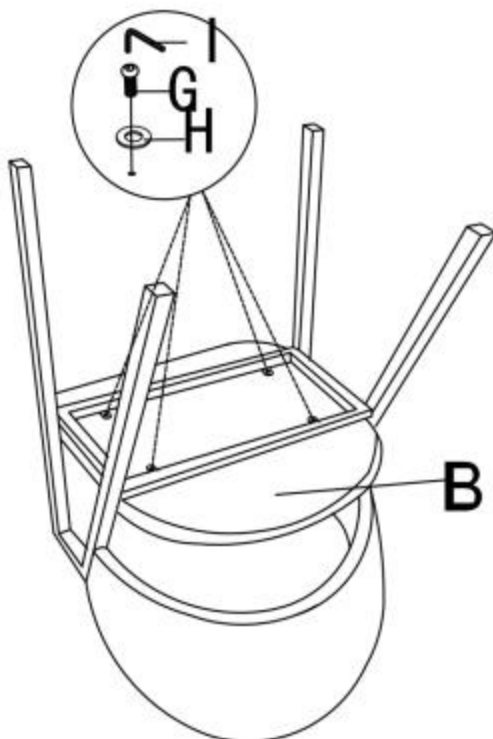
①



②



③



④



 max. 100 kg