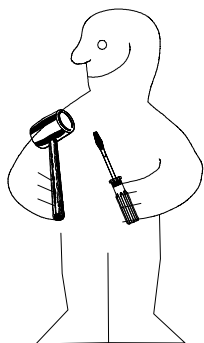
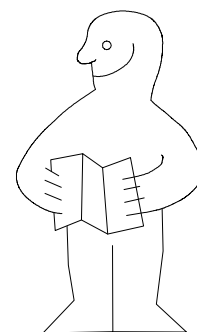
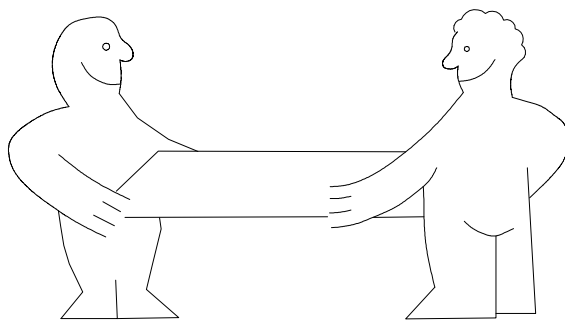
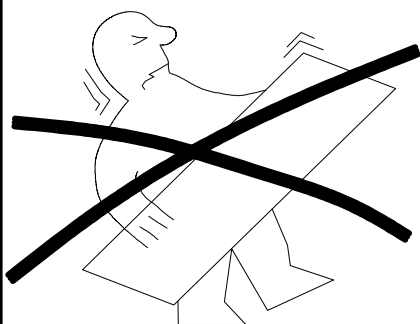
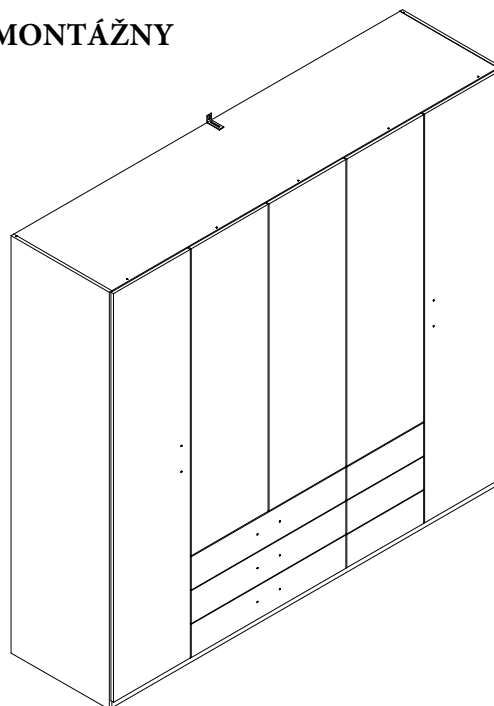


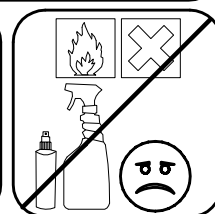
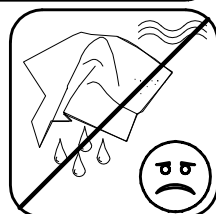
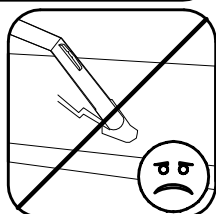
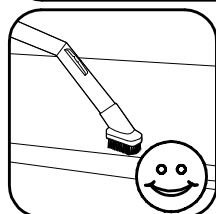
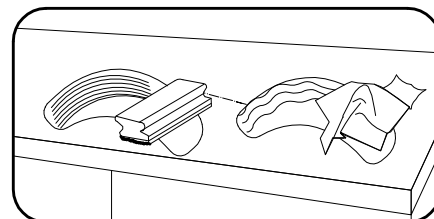
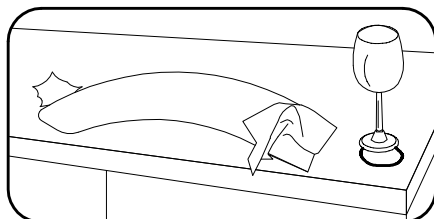
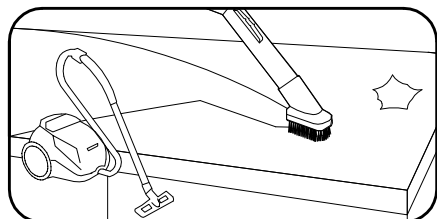
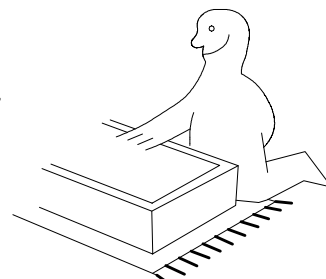
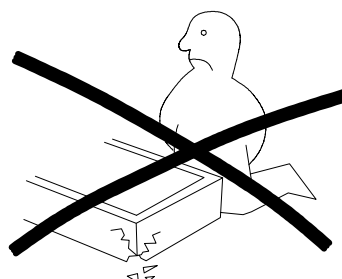
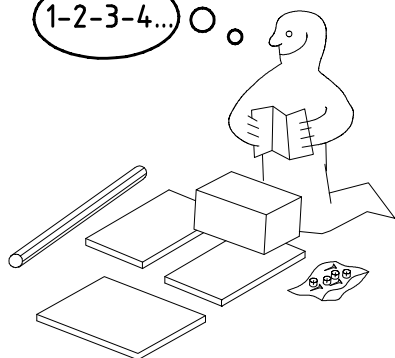
980583

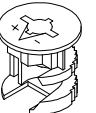
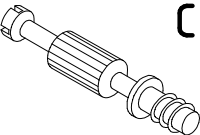
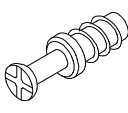
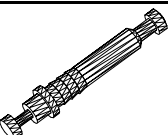
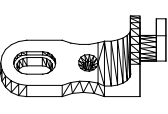
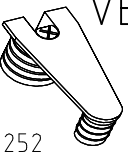
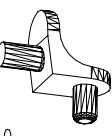



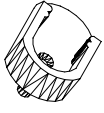

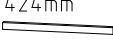
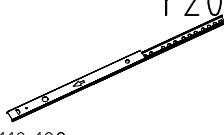
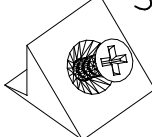
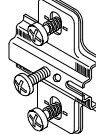
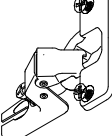
MONTÁŽNÍ/MONTÁŽNY
NÁVOD

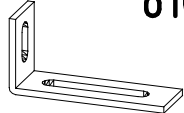

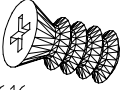

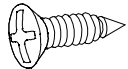
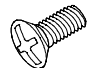



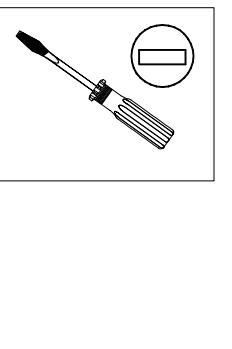
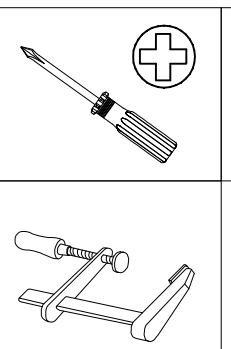
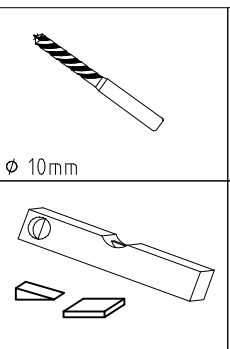
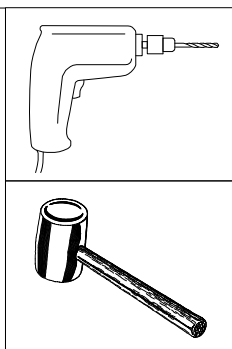
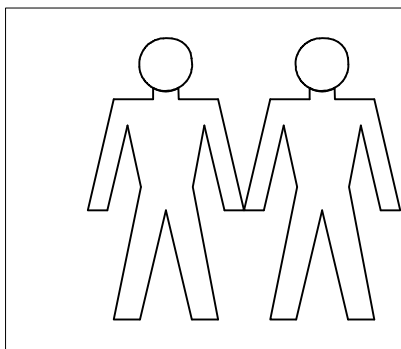
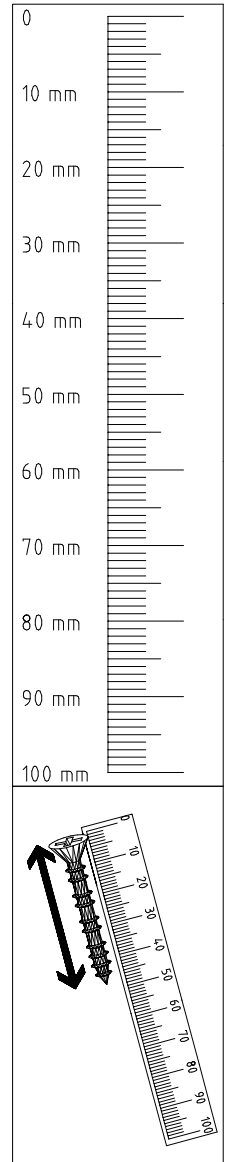
1-2-3-4... ○ ○

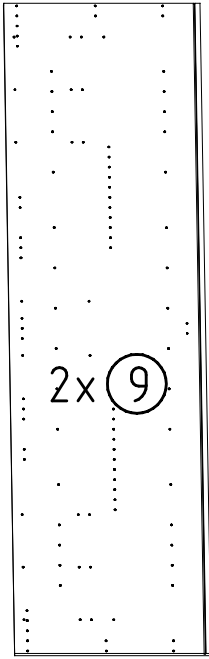


 111 102	A 18x
 111 103	C 18x
 111 229	F 4x
 111 235	E 2x
 111 174	J1 8x
 111 252	VB23 8x
 111 610	L7 12x
 163 007	Z 4x

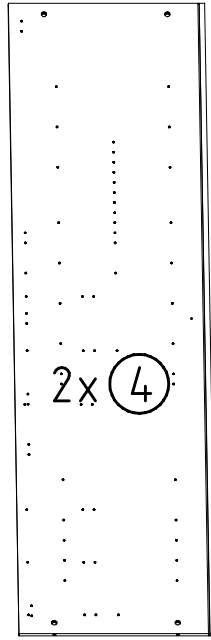
 117 001	K1 6x
 112 402	K20 870mm 2x
 112 403	K21 424mm 1x
 112 198	Y20 12x
 112 268	SBV 6x
 112 268	M 15x
 112 267	N 15x

 111 052	o10 1x
 121 120	SP15 4 X 15mm 3x
 112 616	T3 M6 x 10 24x
 121 181	T6 M6 x 11 mm 6x
 121 370	G1 3,5 x 15 mm 12x
 111 015	G8 M4 x 9 mm 12x
 121 375	G14 3,5 x 35 mm 10x

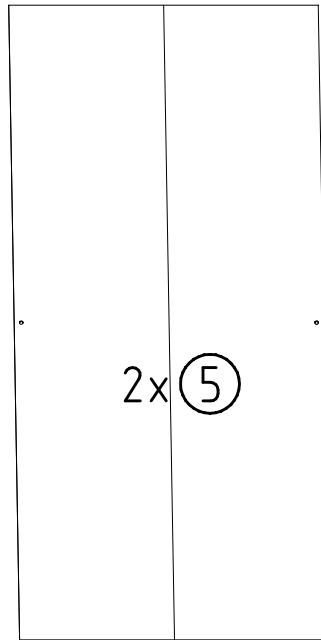




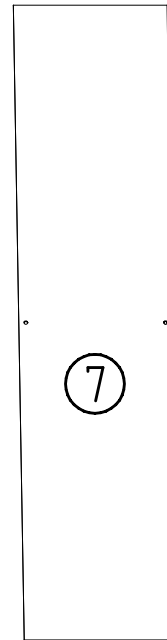
2064x560x15



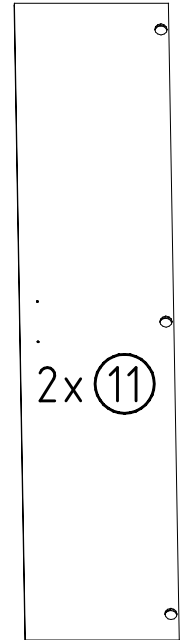
2001x560x15



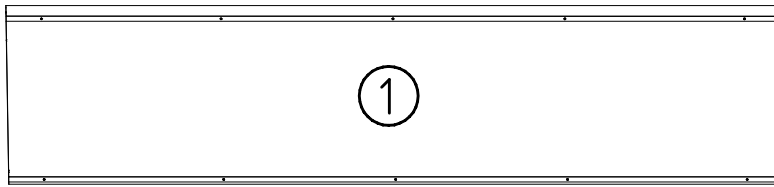
2015x882x2,5



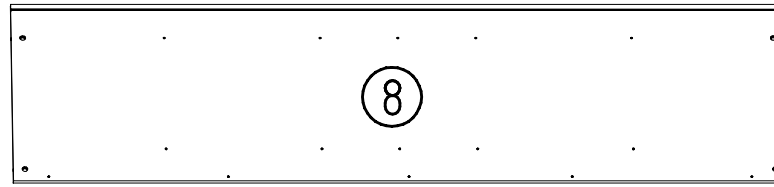
2015x438x2,5



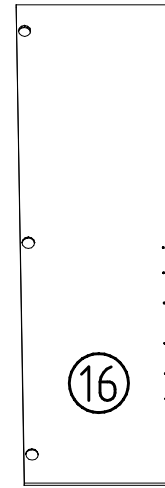
2021x439x15



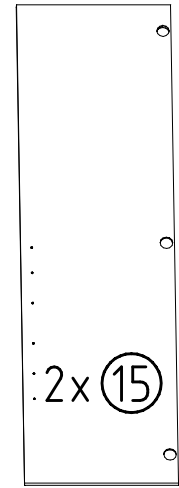
2205x560x15



2205x560x15



1518x439x15



1518x439x15

2x (2)



2204x32x15

3x (31)

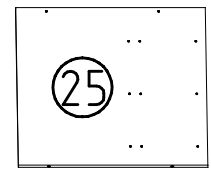


439x422x439x92

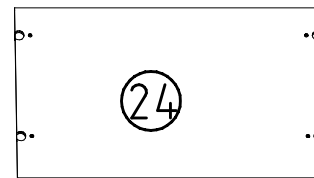
3x (30)



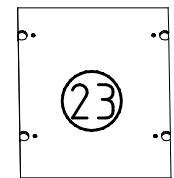
439x866x439x92



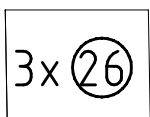
500x540x15



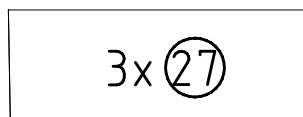
873x540x18



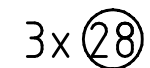
429x540x18



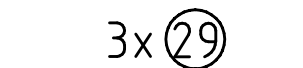
408x439x2,5



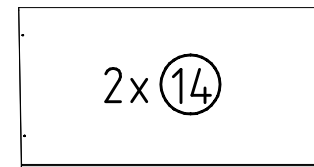
852x439x2,5



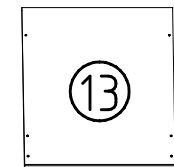
439x164x15



883x164x15



873x500x18

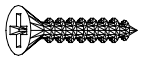


429x500x18

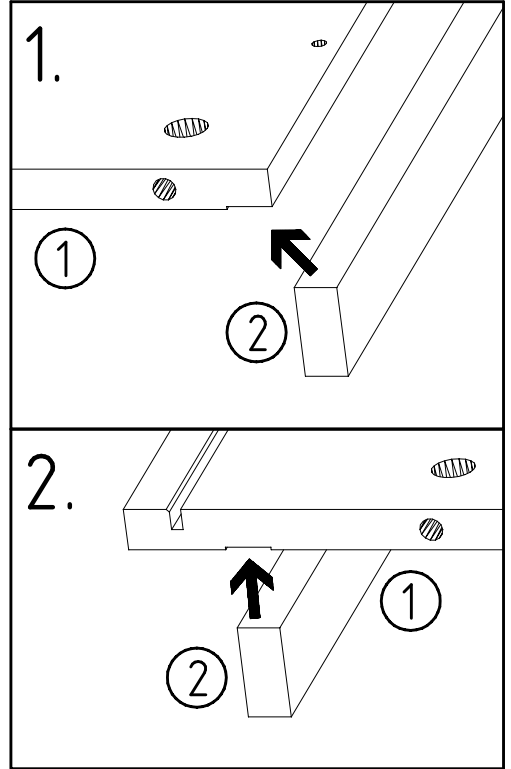
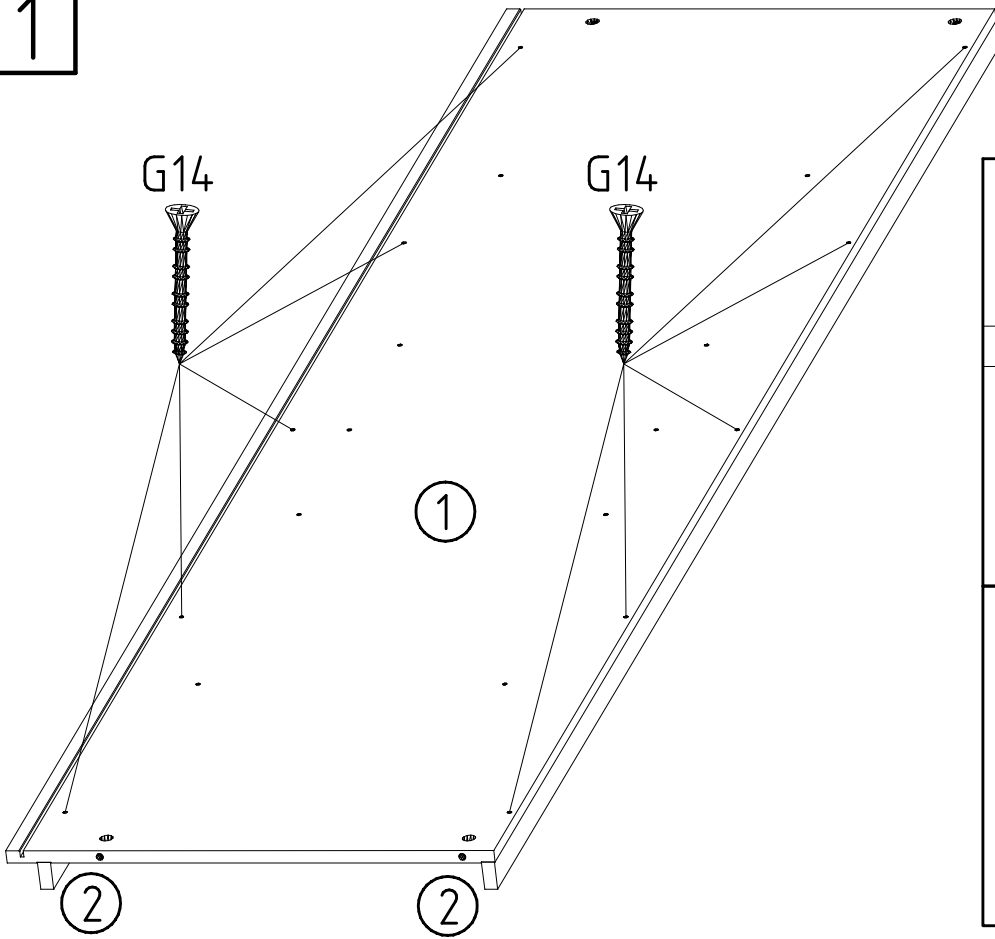
1

3,5 x 35 mm

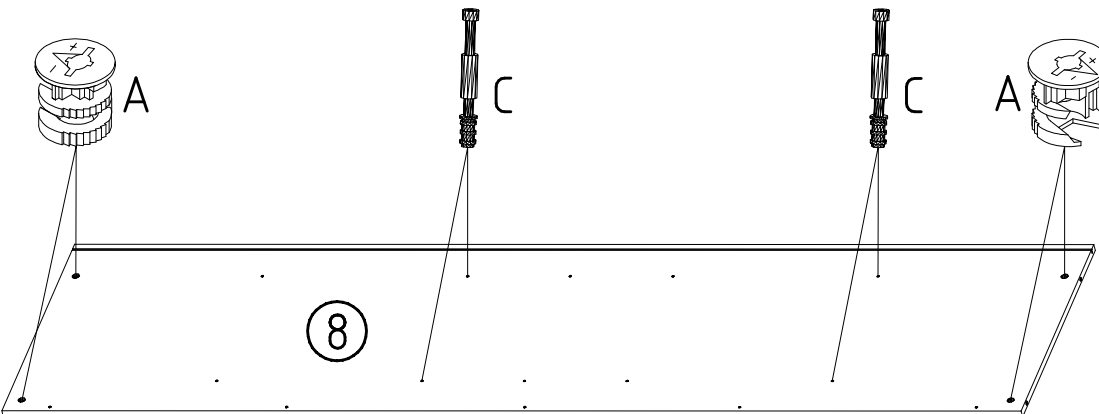
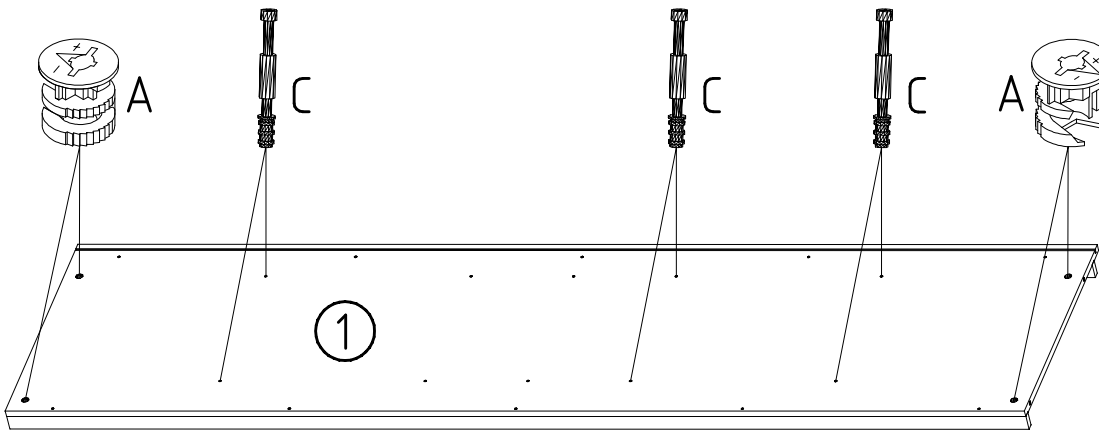
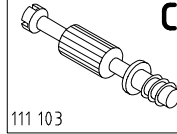
G14



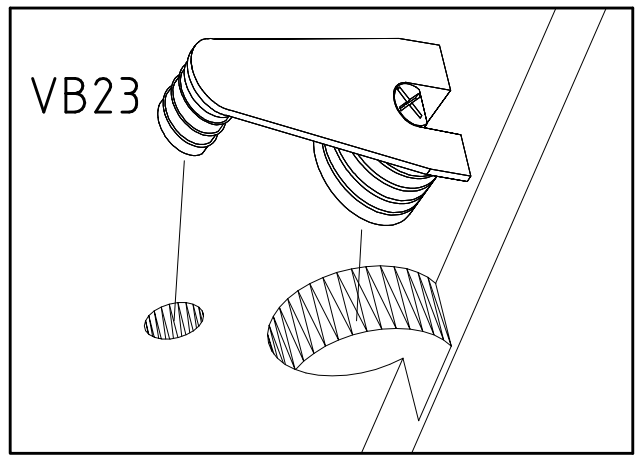
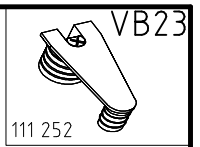
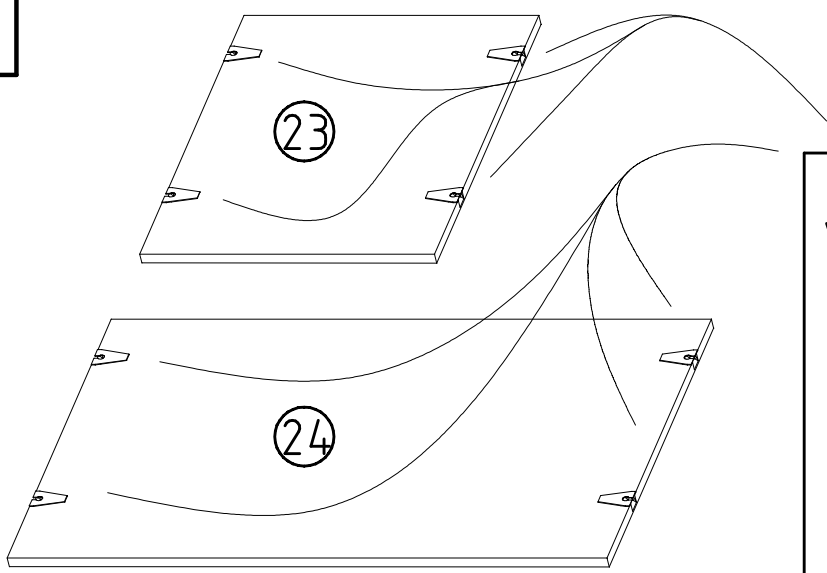
121 375



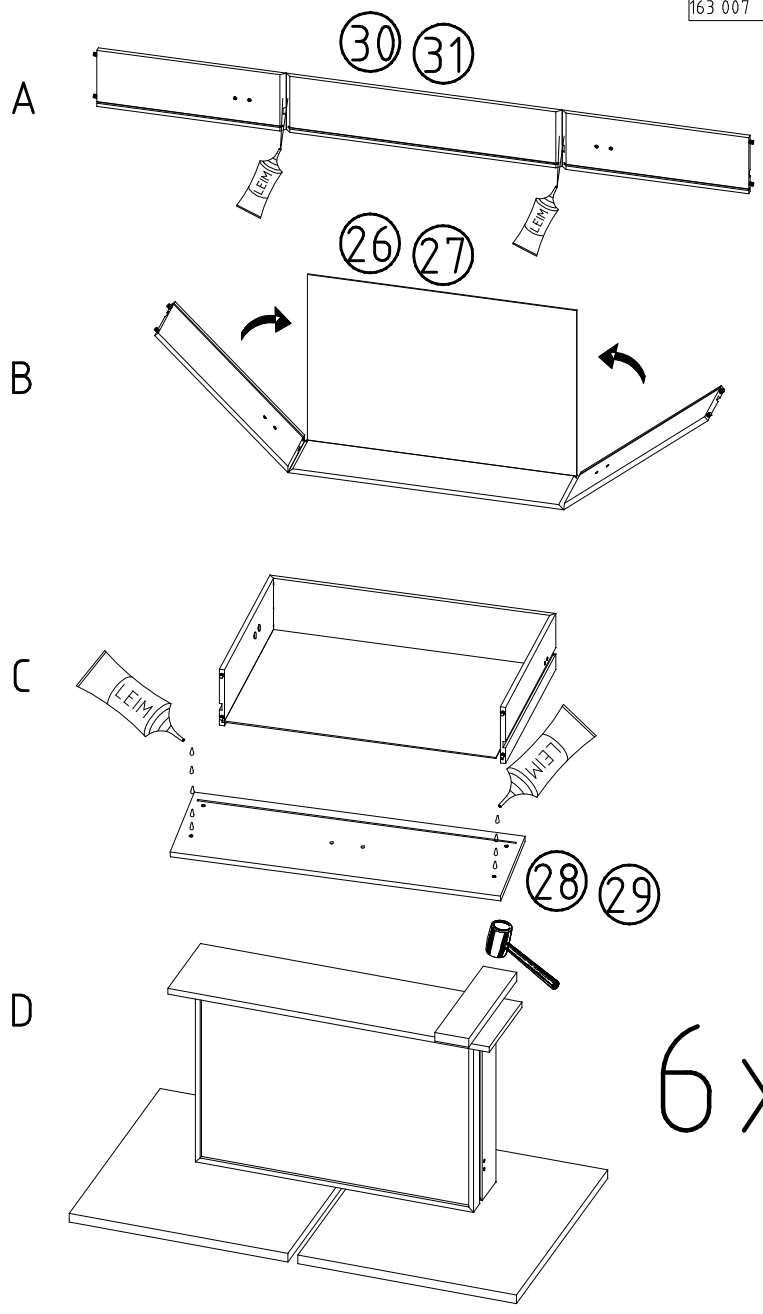
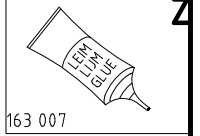
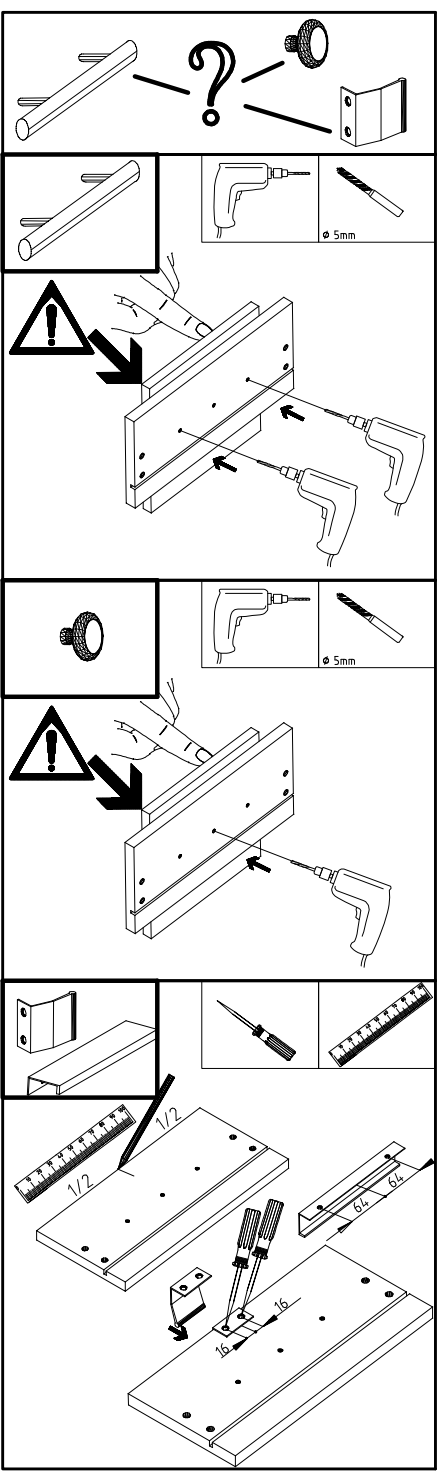
2



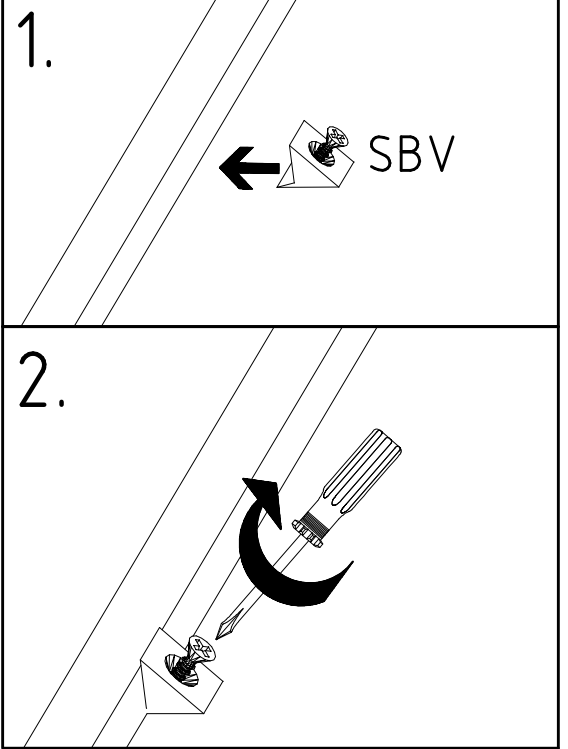
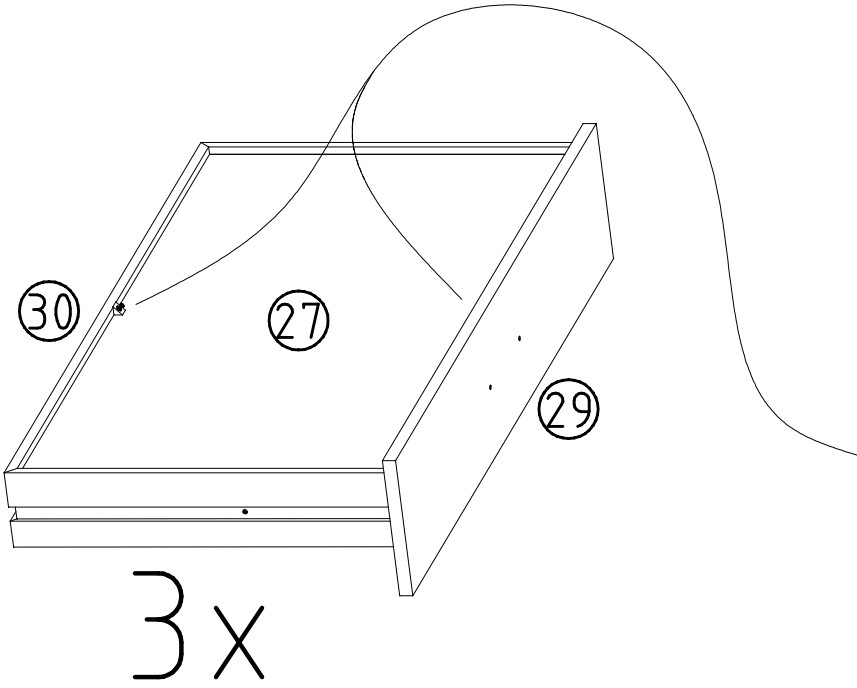
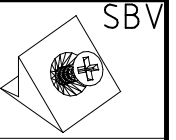
3



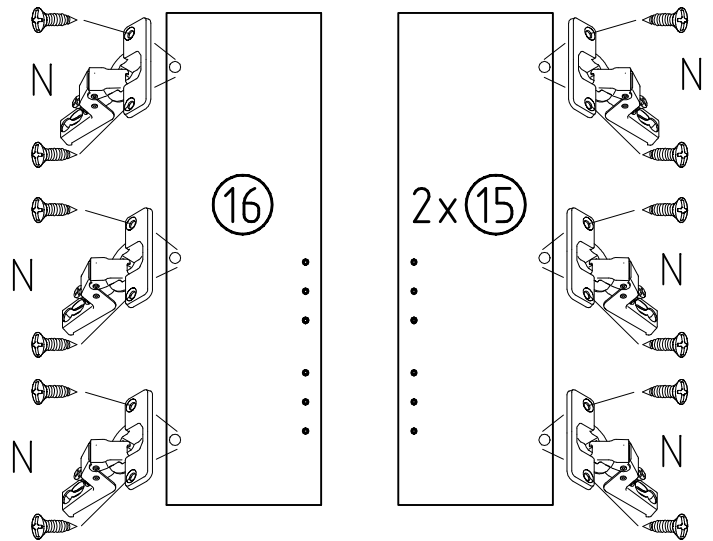
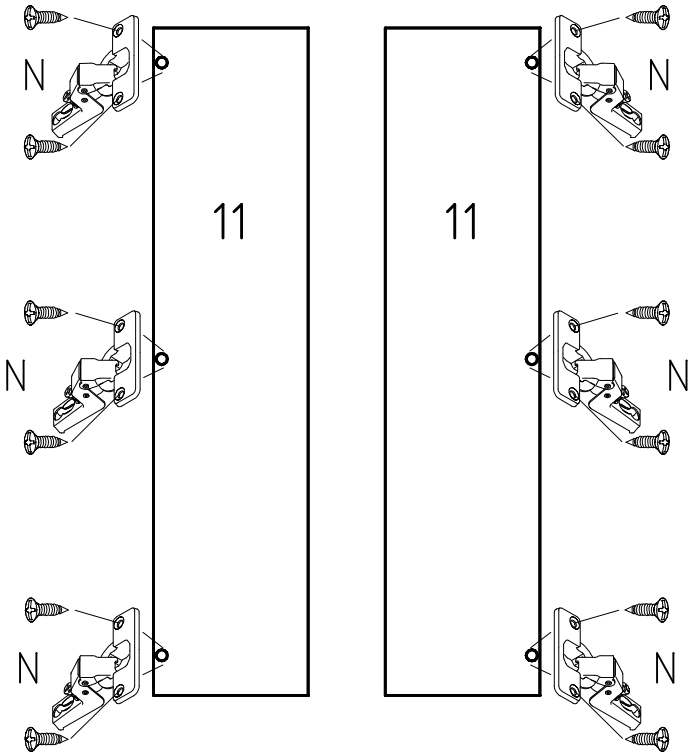
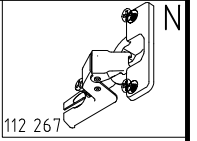
4

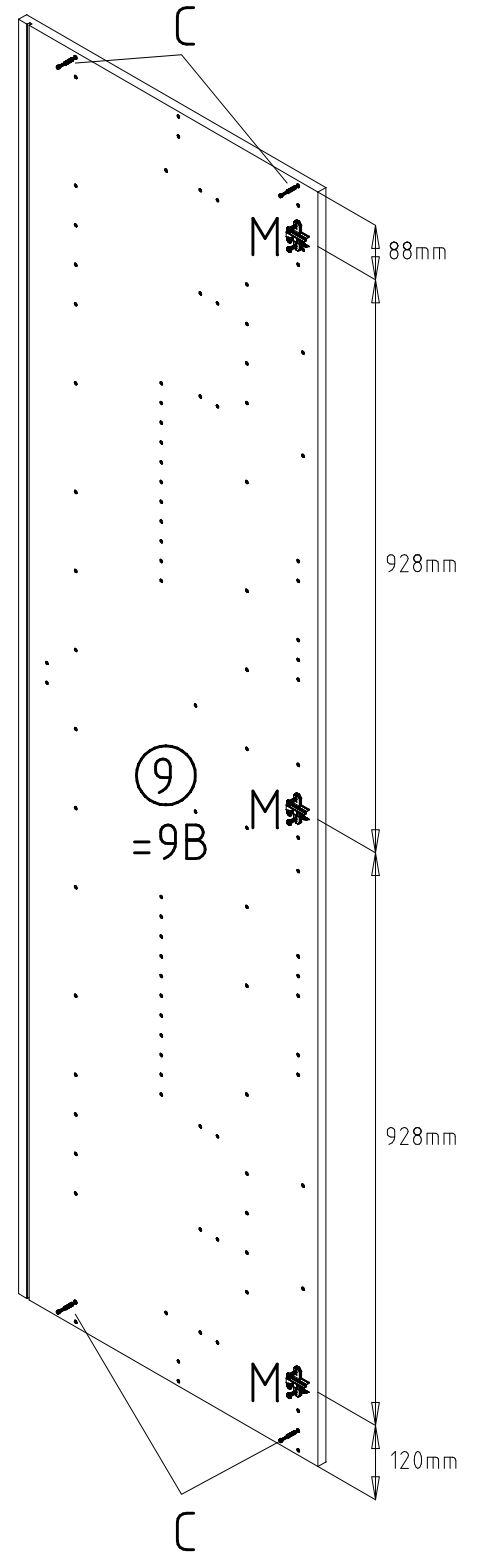
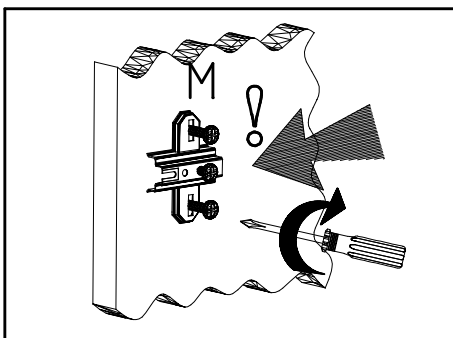
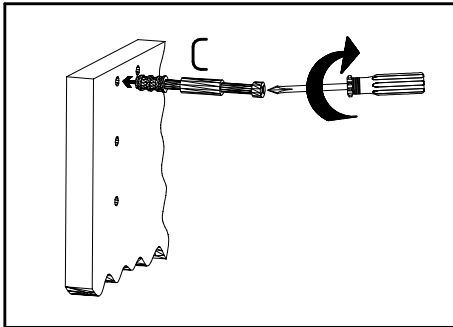
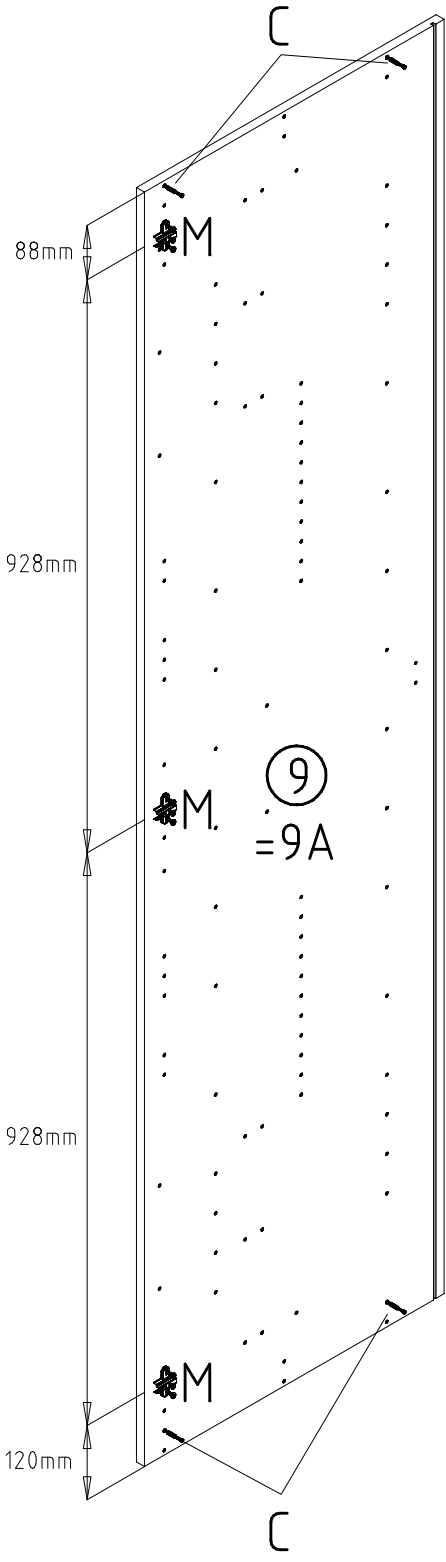
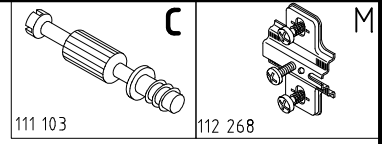


5



6





M6 x 10

T3

Y20

F

A

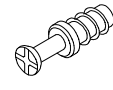
M



112 616



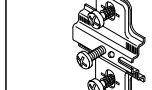
112 198



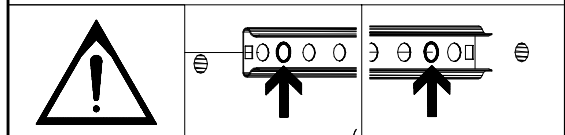
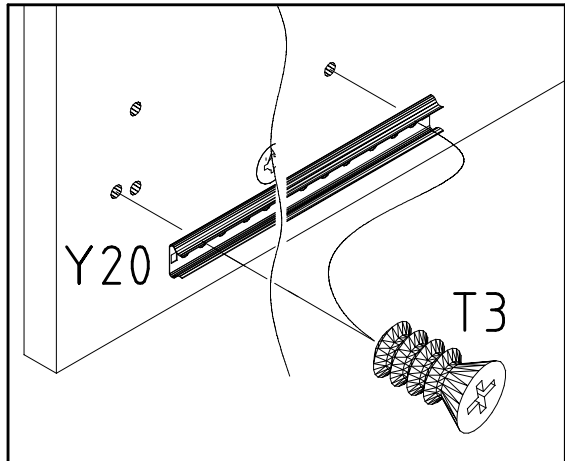
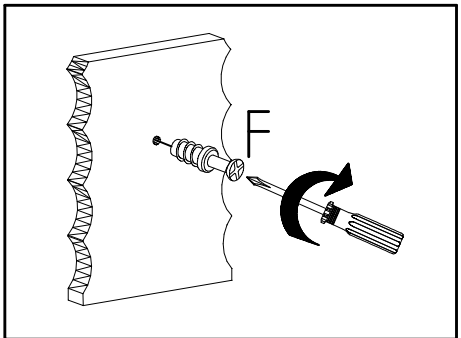
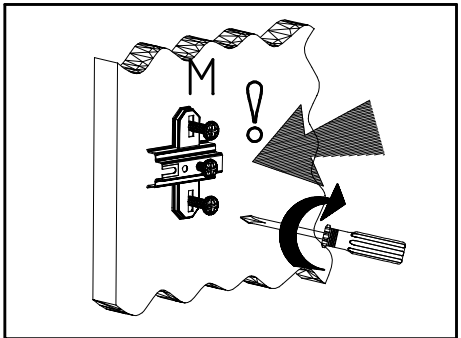
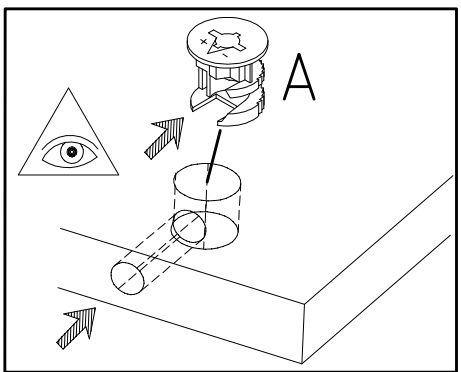
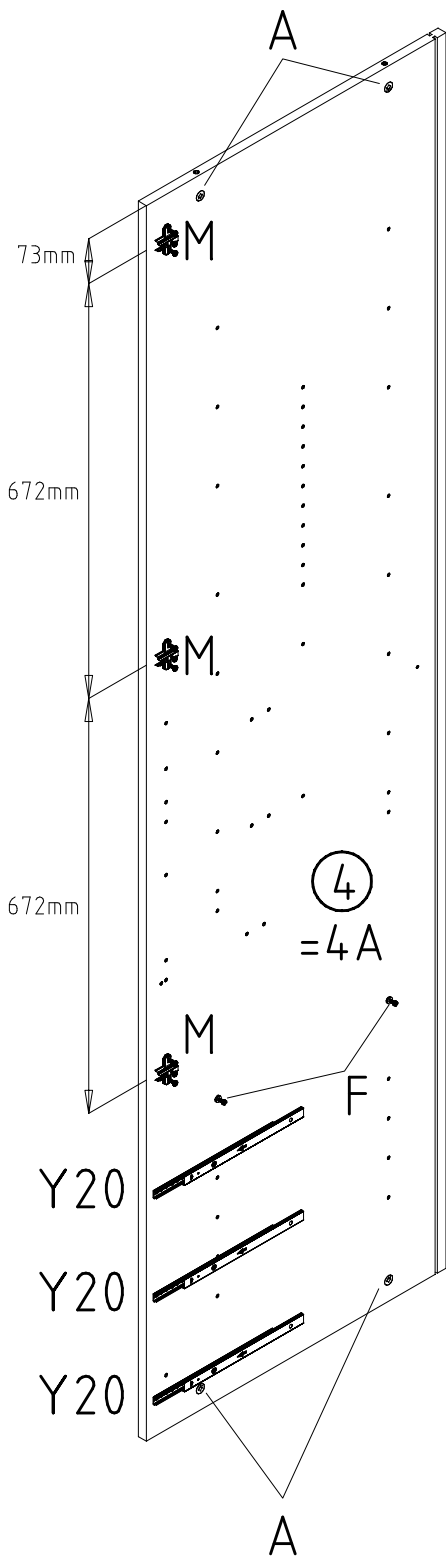
111 229



111 102



112 268



9

M6 x 10

T3

Y20

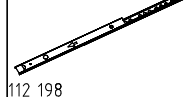
E

A

M



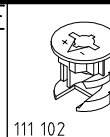
112 616



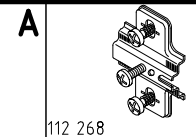
112 198



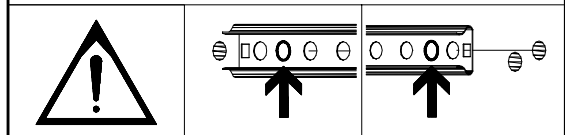
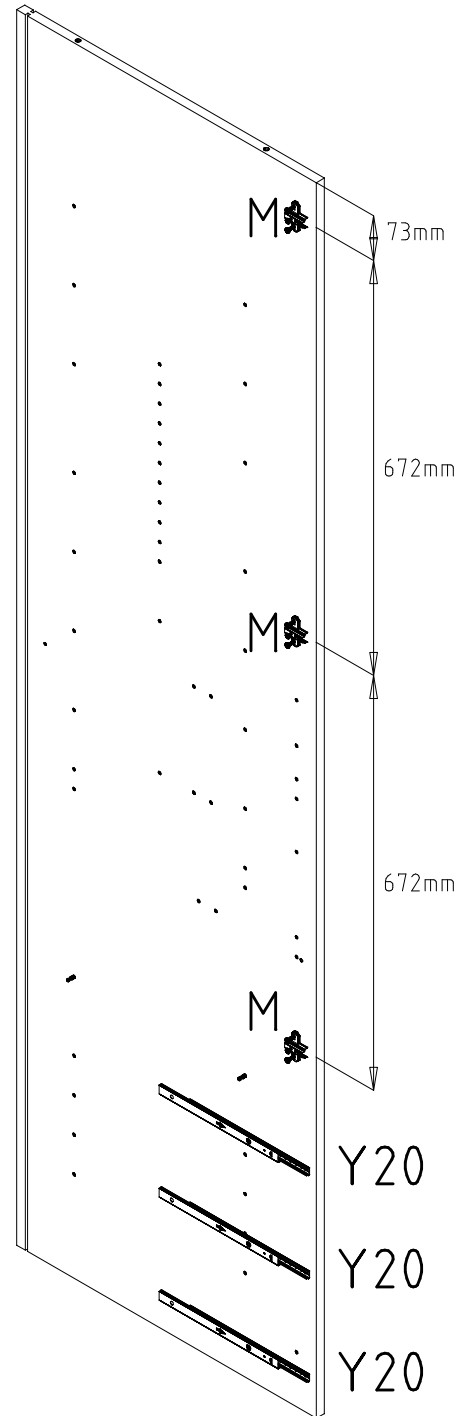
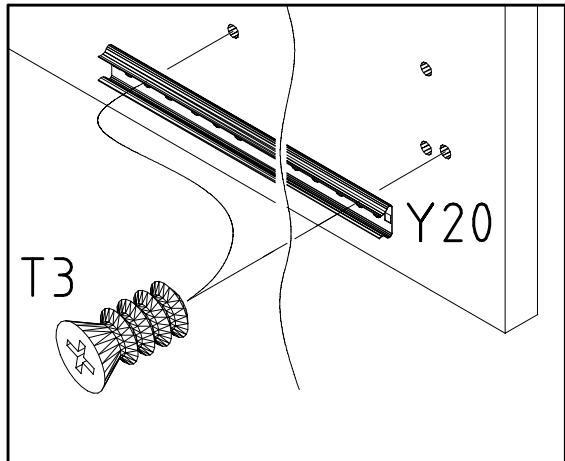
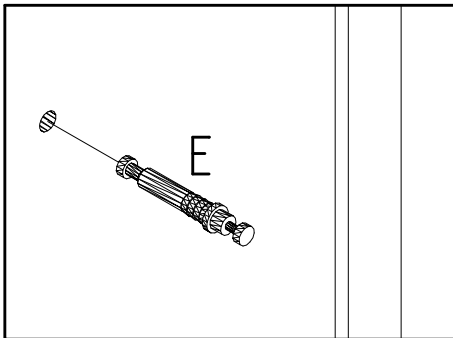
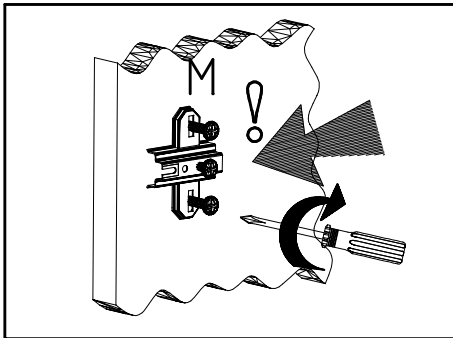
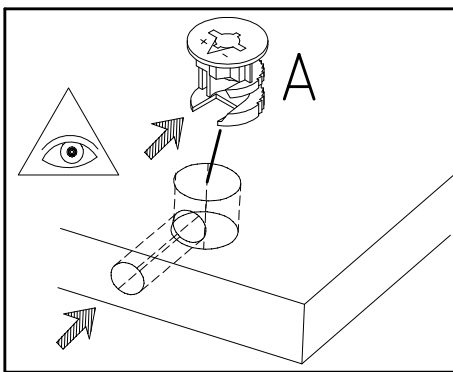
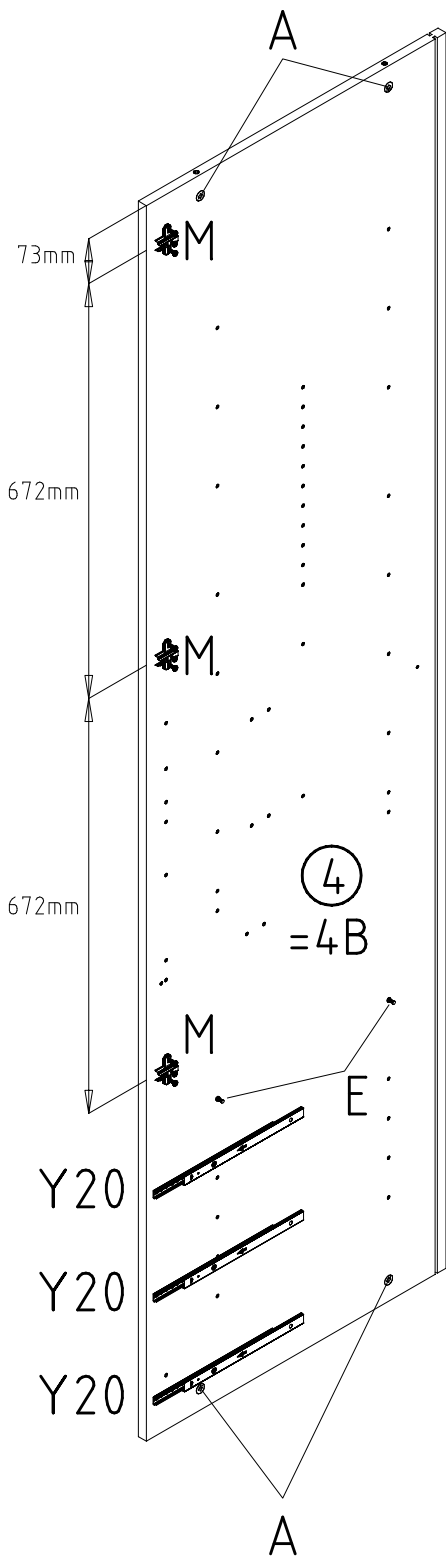
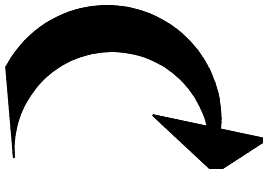
111 235



111 102



112 268



980583

15.11.19 / 07.01.22

01 22

09/18

10

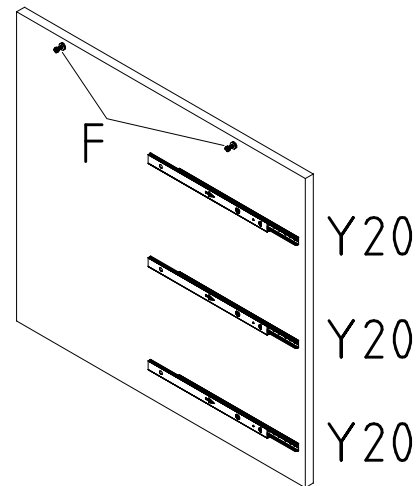
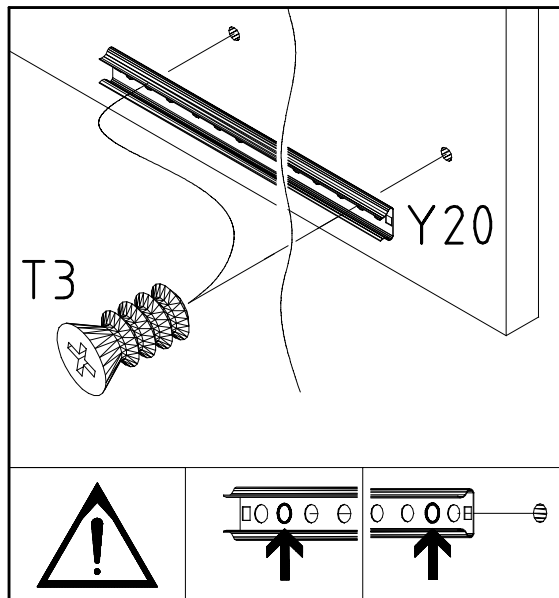
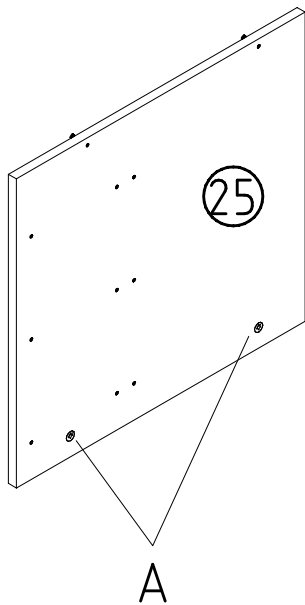
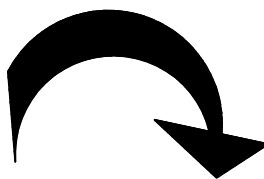
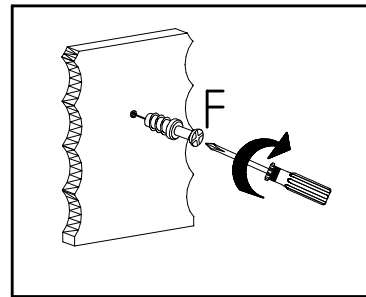
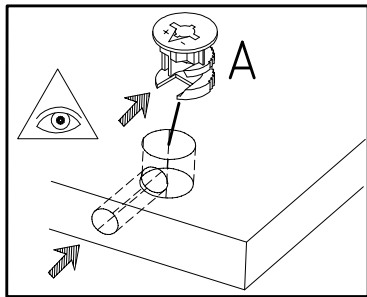
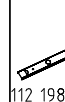
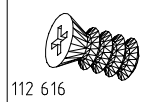
M6 x 10

T3

Y20

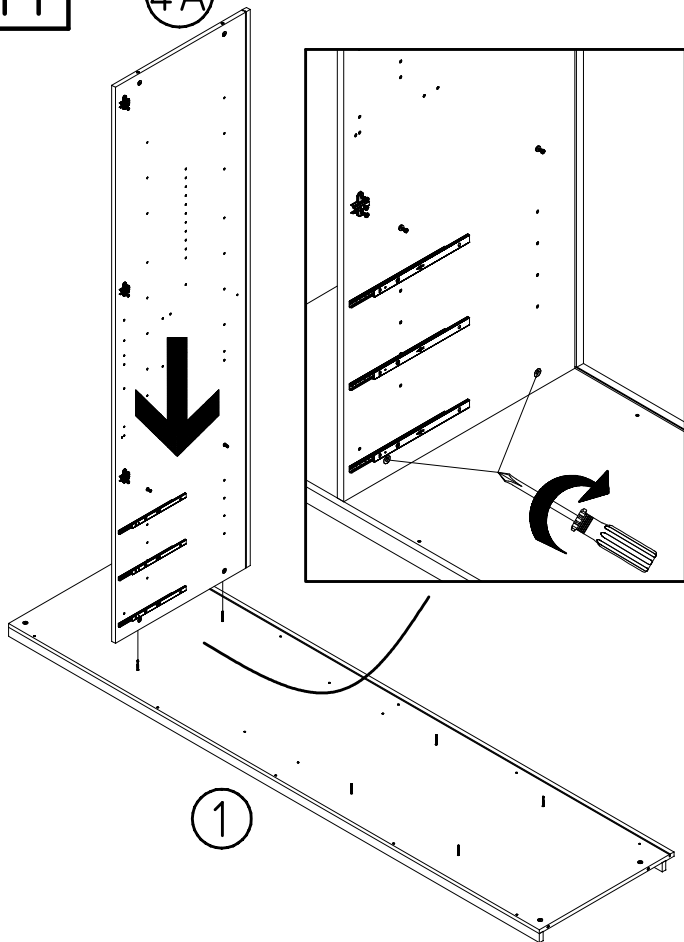
F

A



11

4A

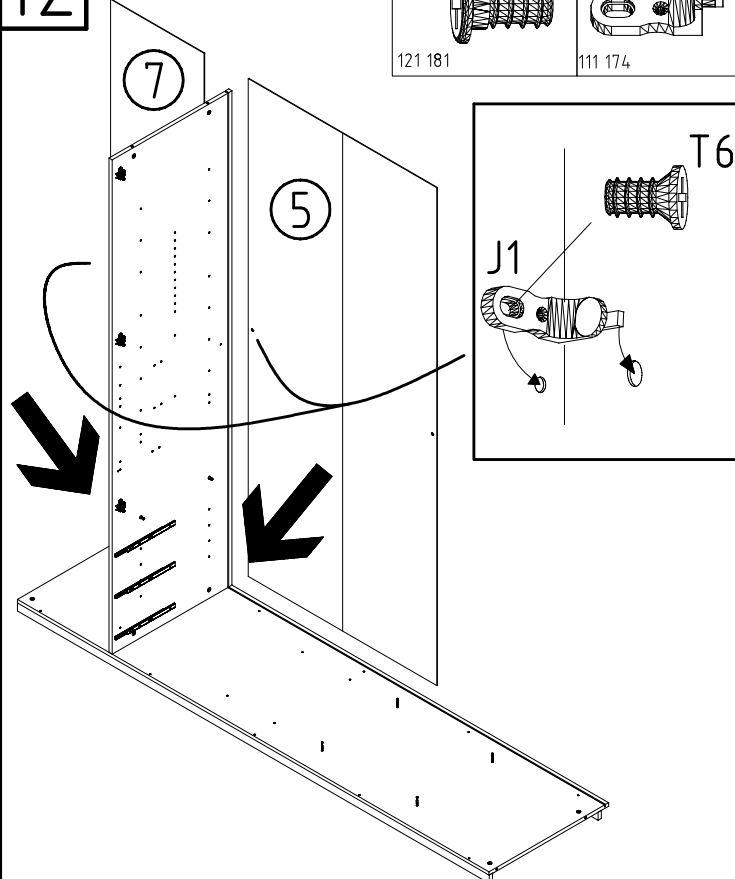
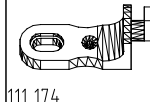
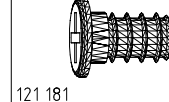


12

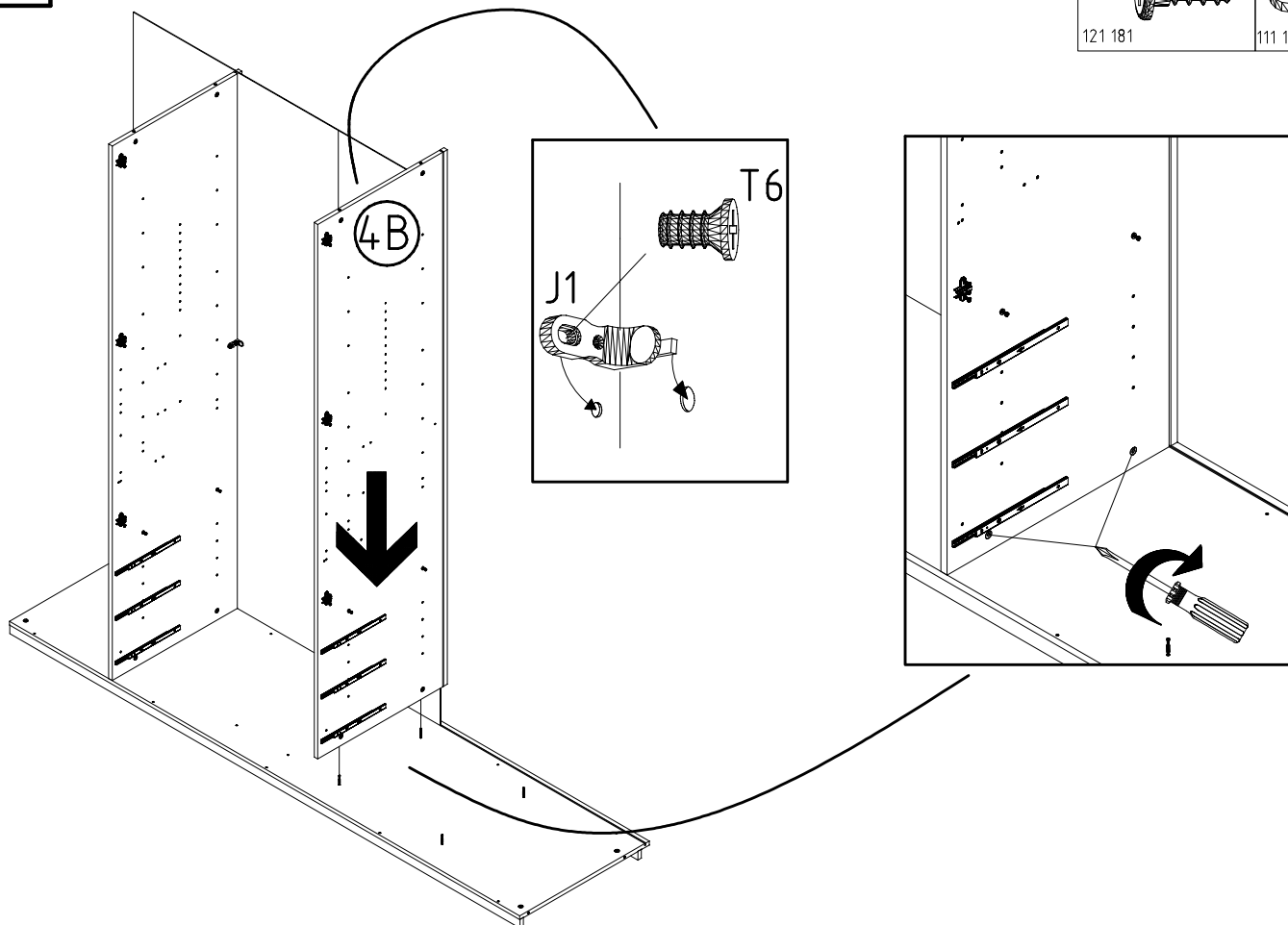
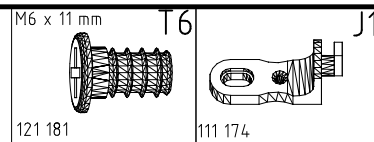
M6 x 11 mm

T6

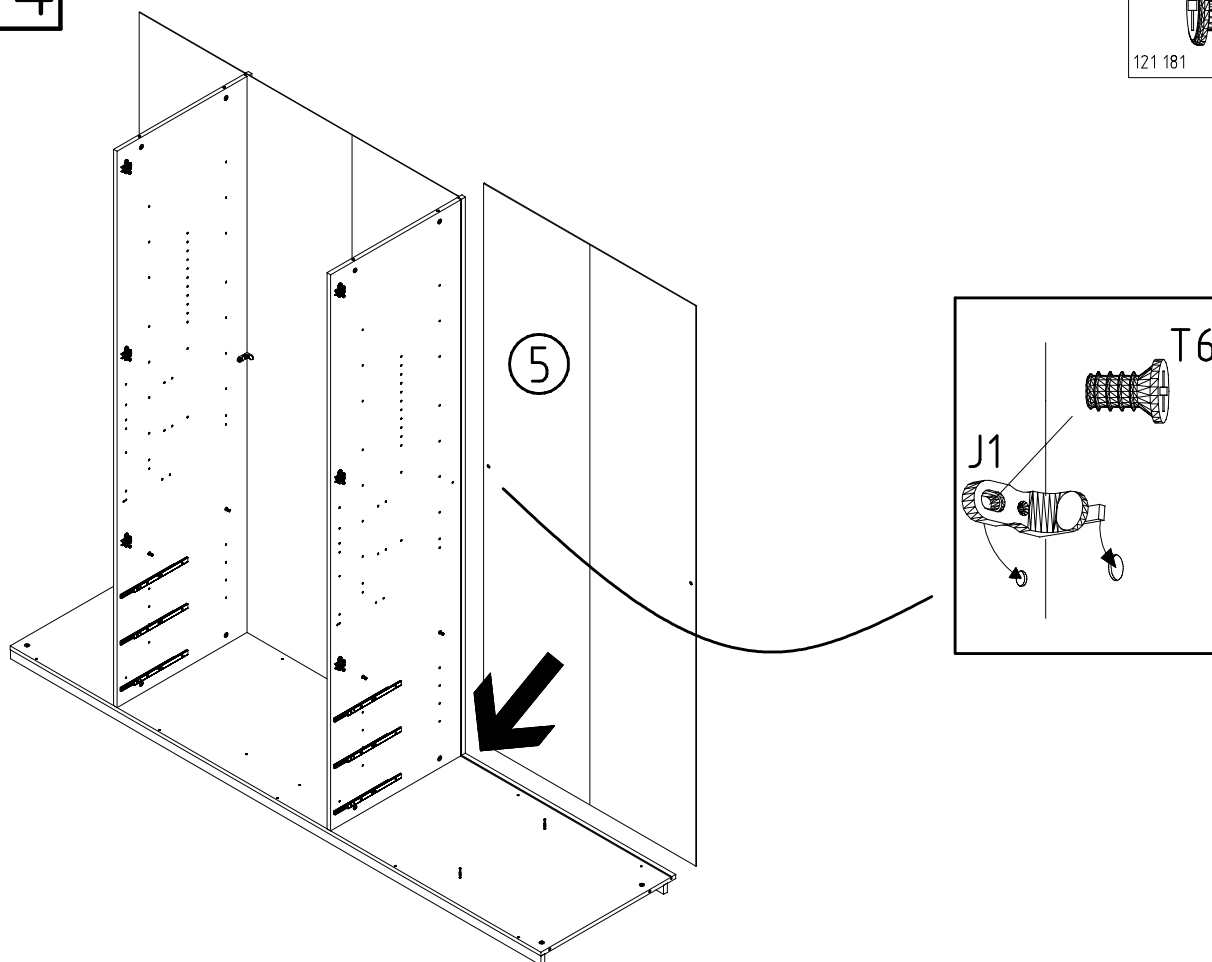
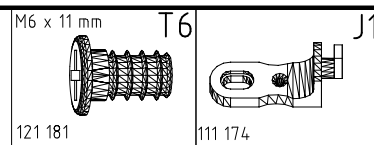
J1



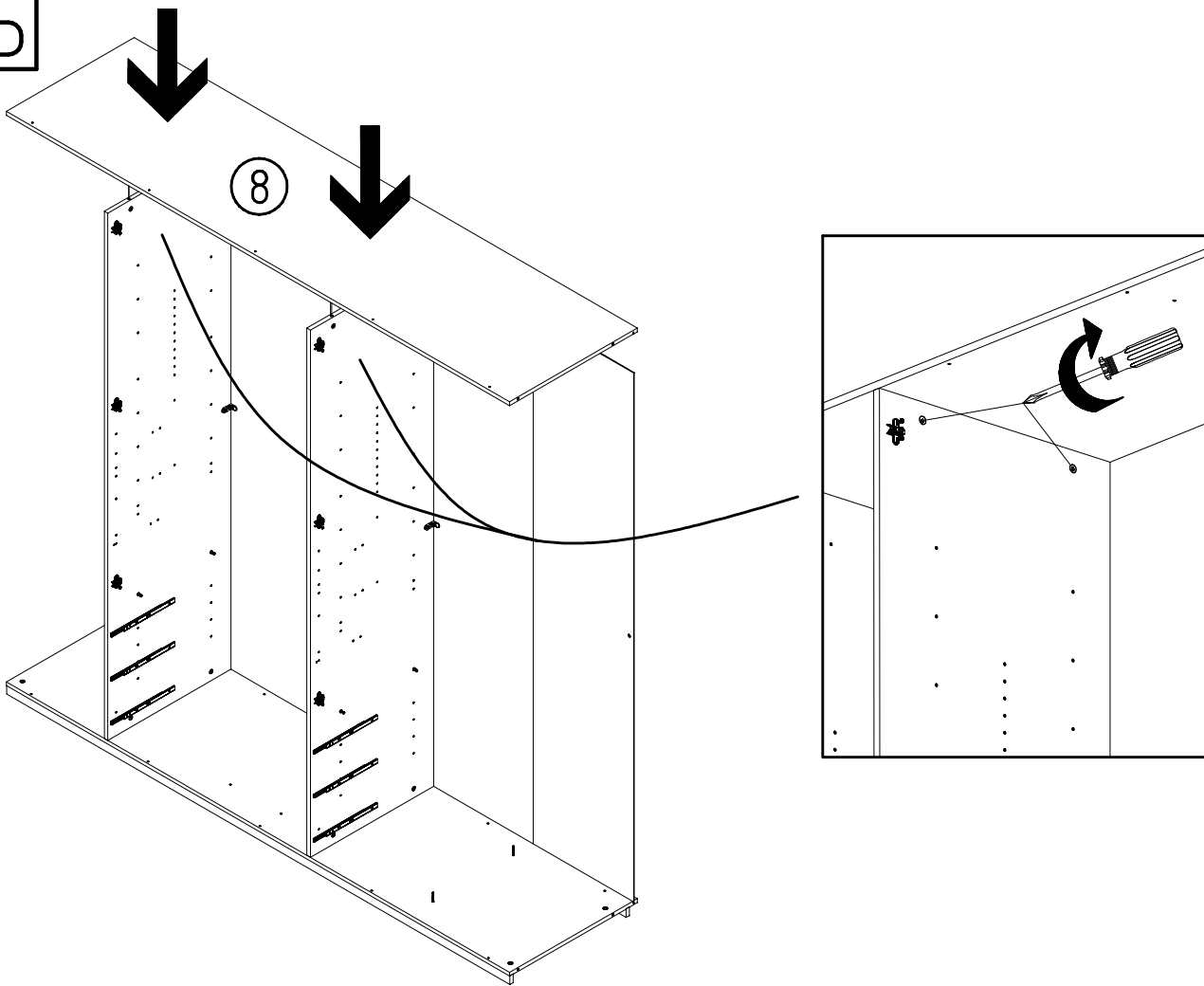
13



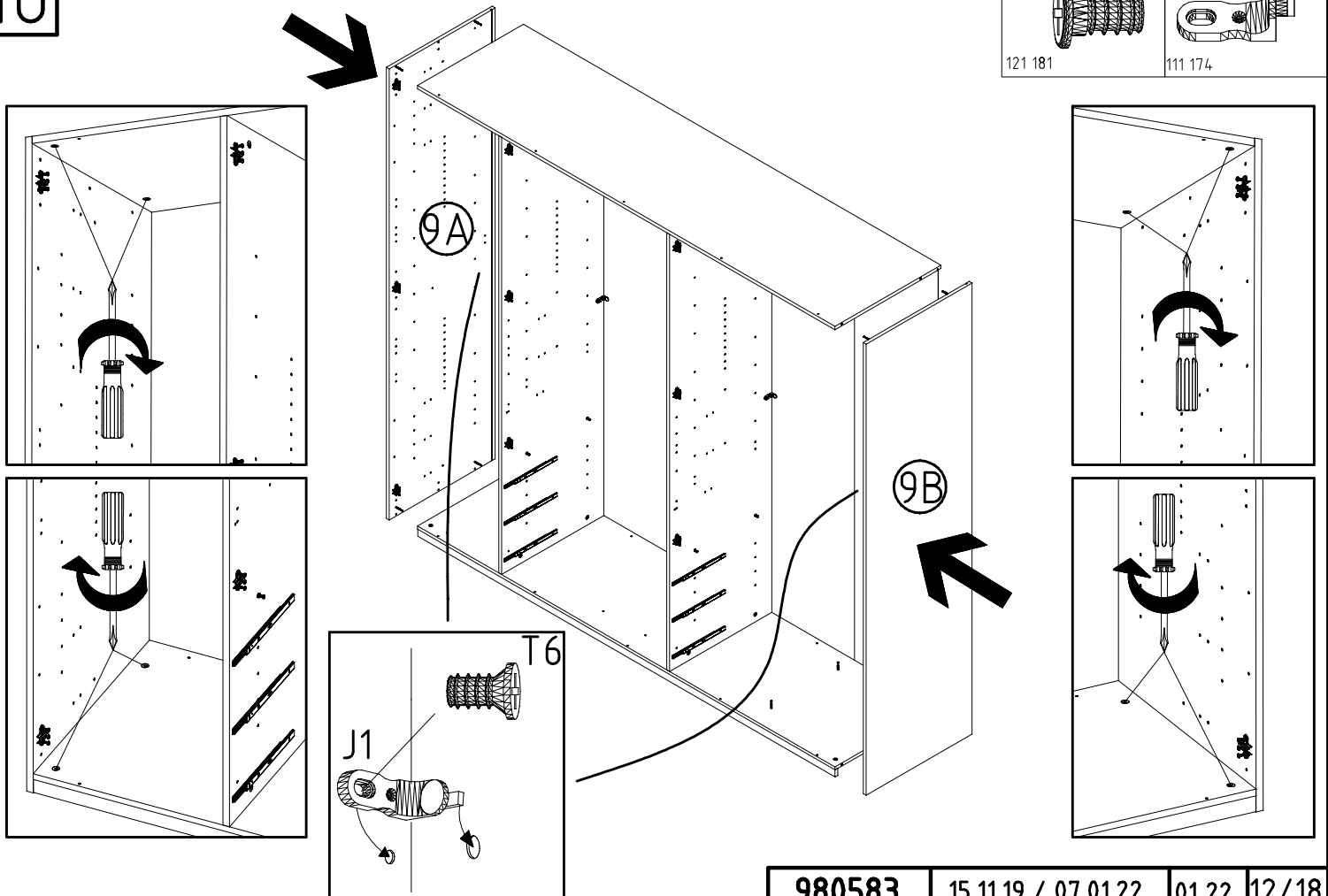
14



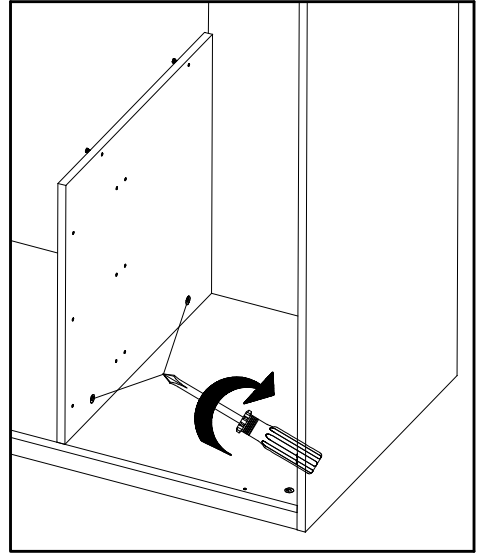
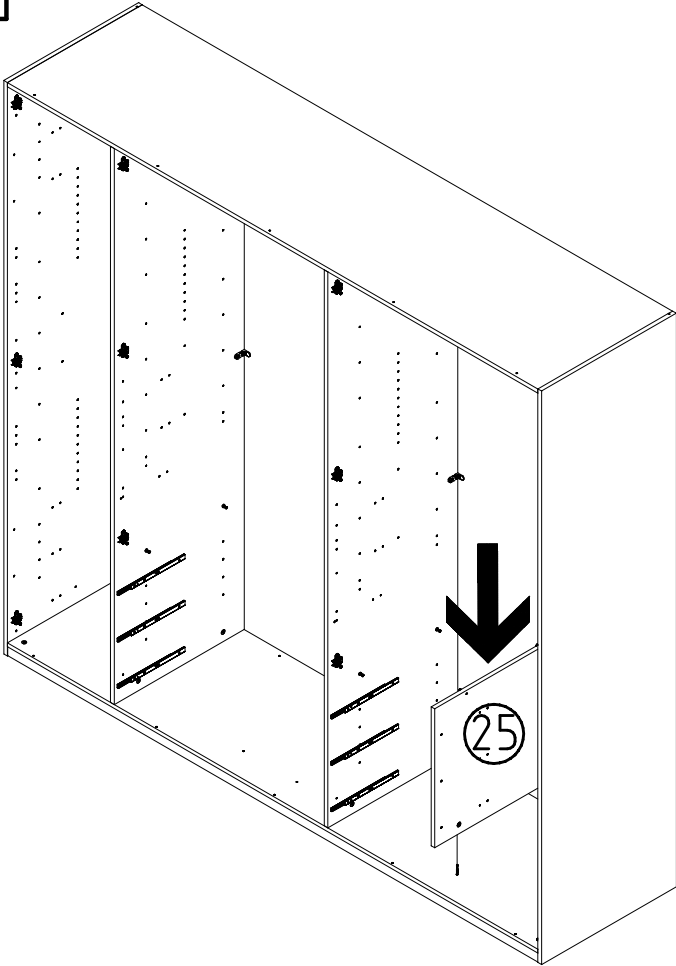
15



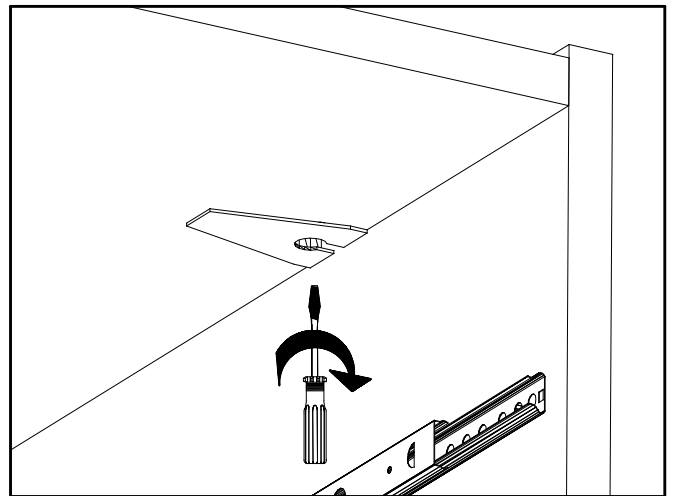
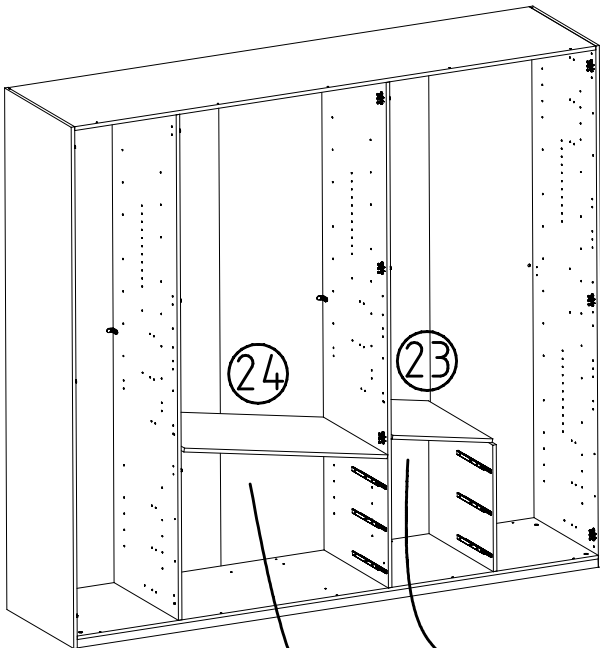
16



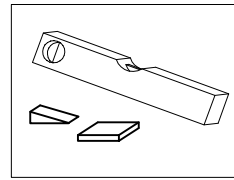
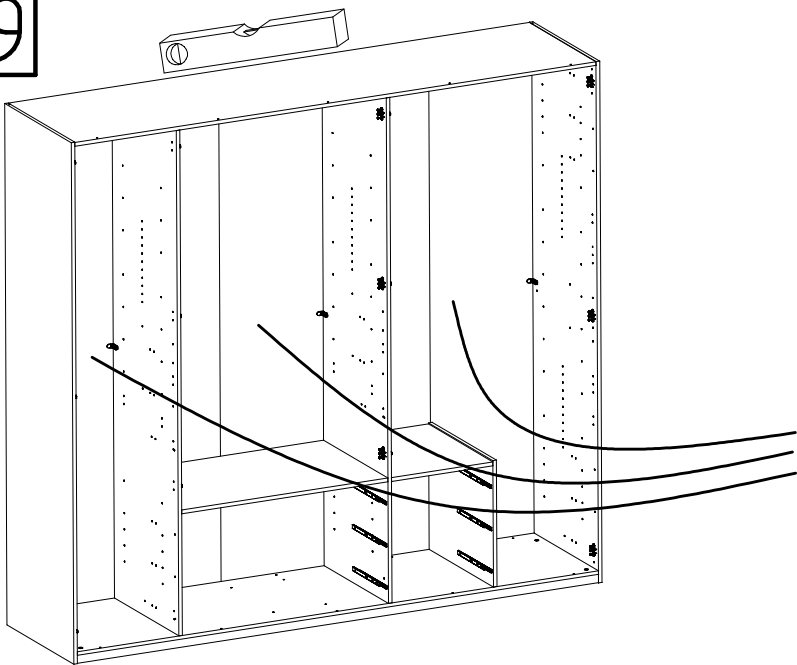
17



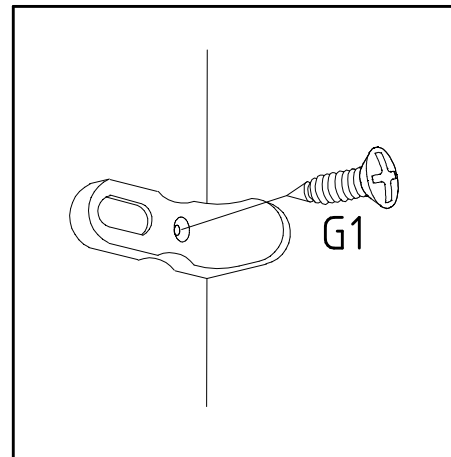
18



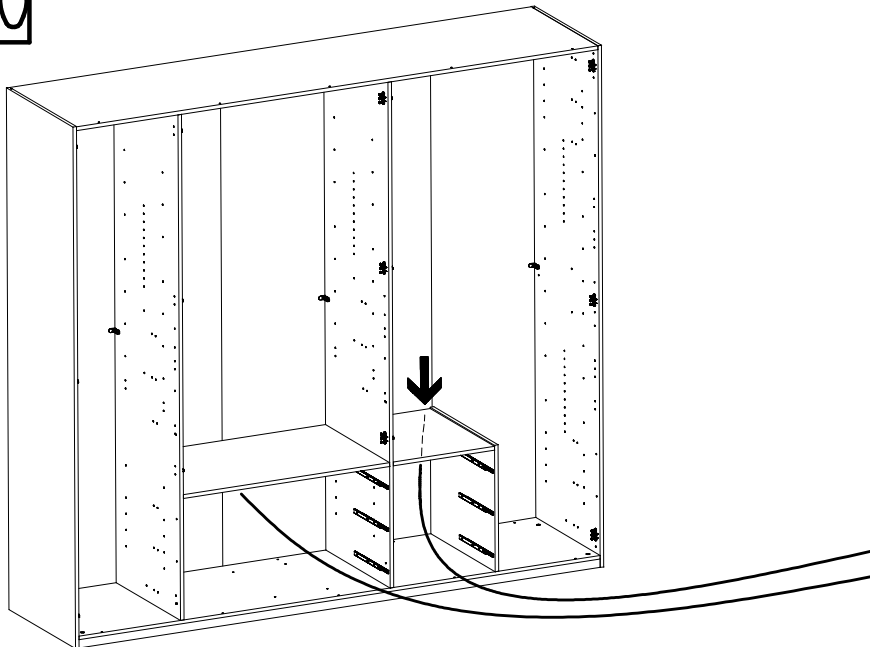
19



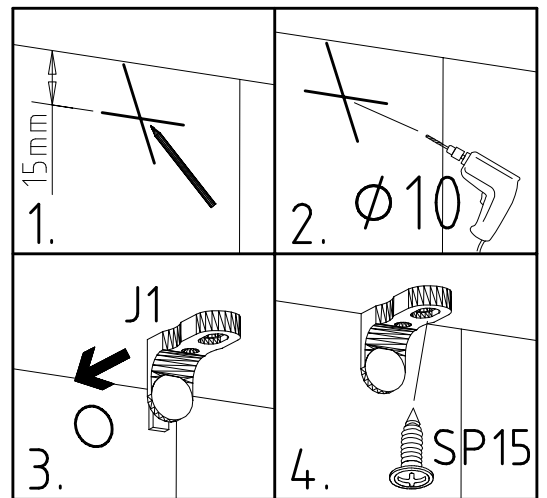
3,5 x 15 mm G1
121 370



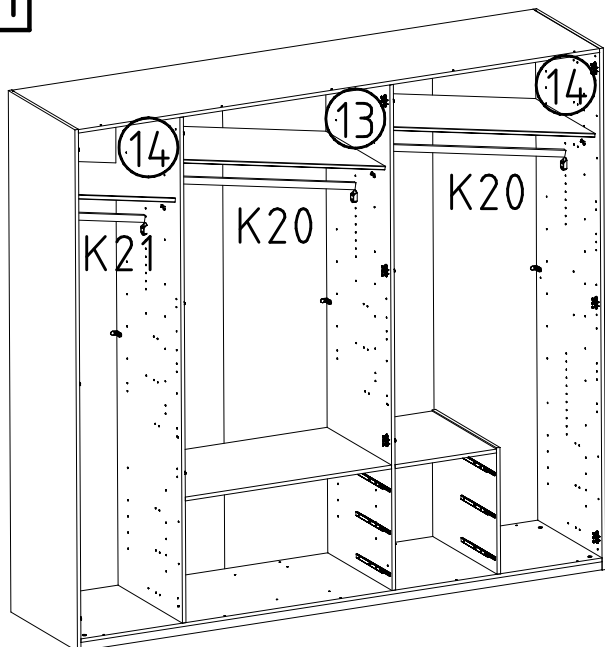
20



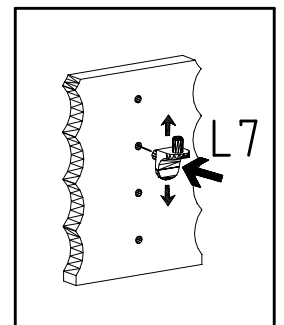
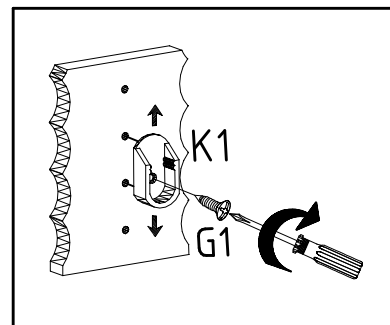
SP15
4 X 15mm J1
121 120 111 174



21

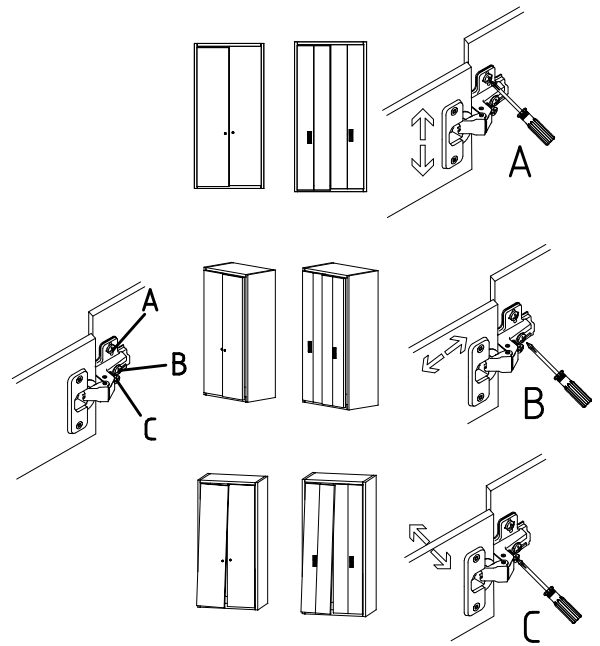
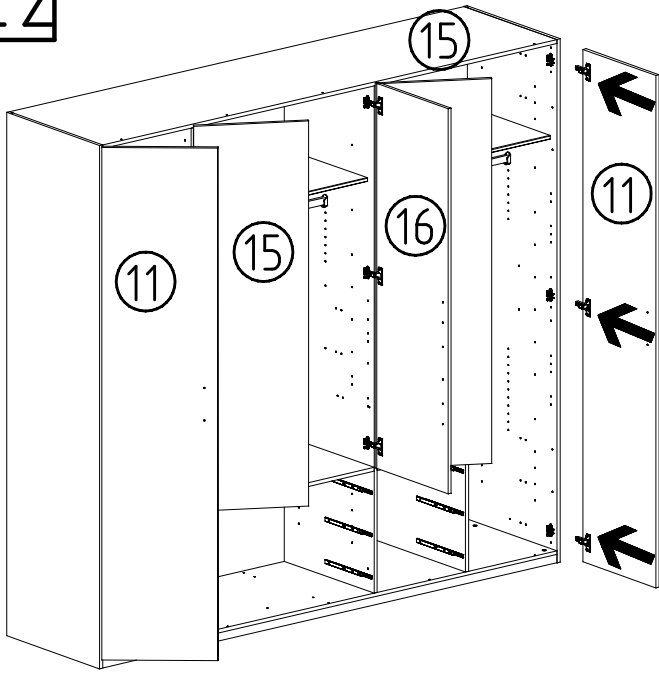


3,5 x 15 mm G1 L7 K1
121 370 111 610 117 001

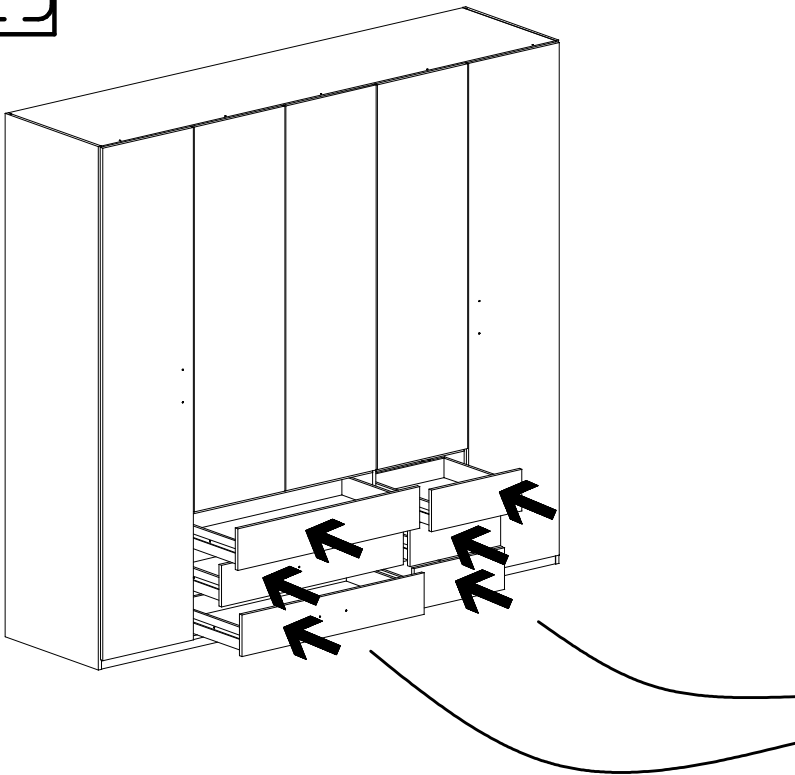



K21	K20
424mm	870mm
112 403	112 402

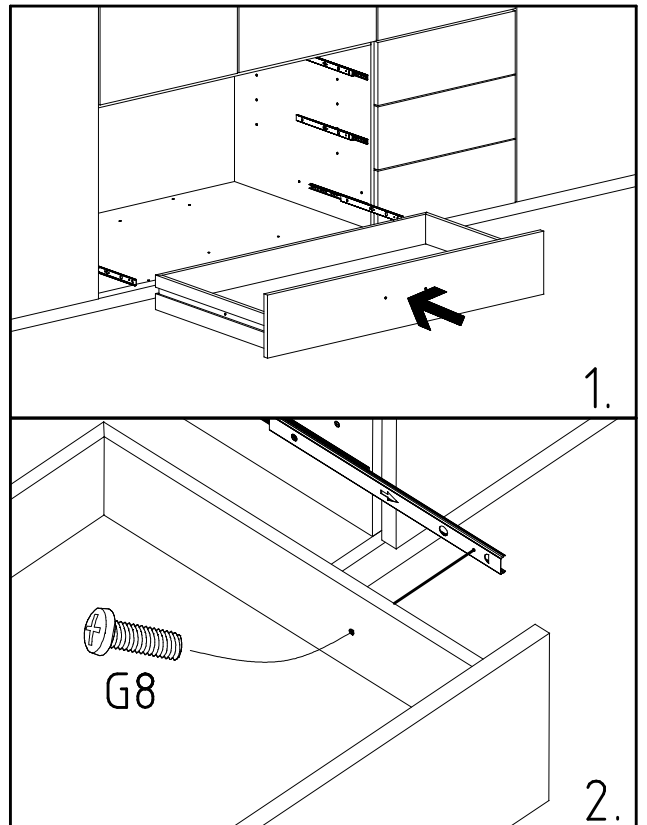
22

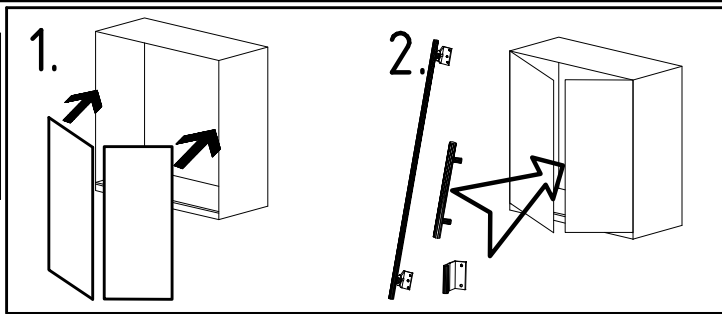
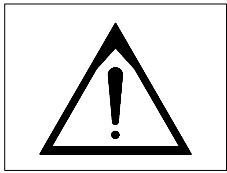


23

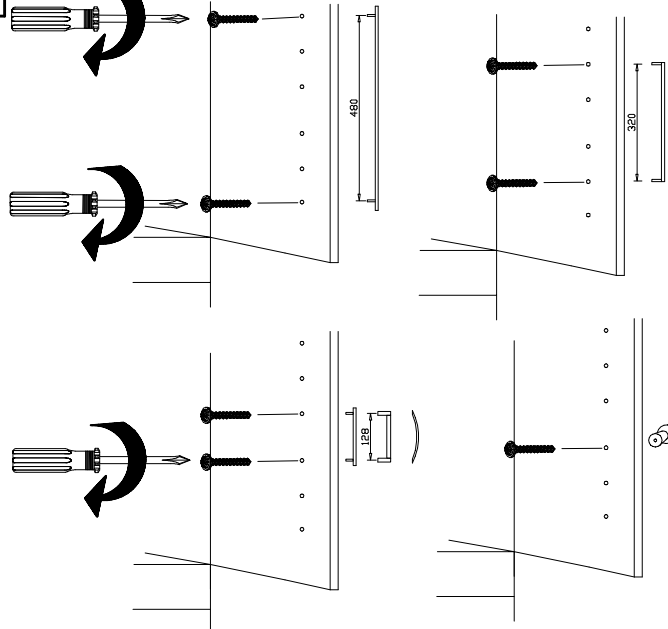
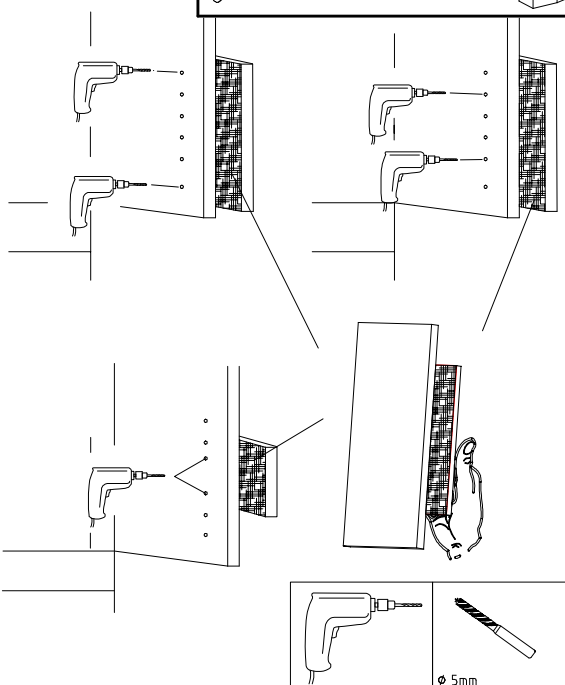
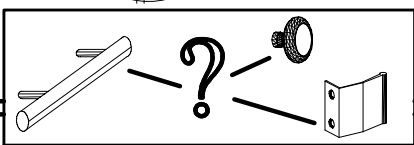
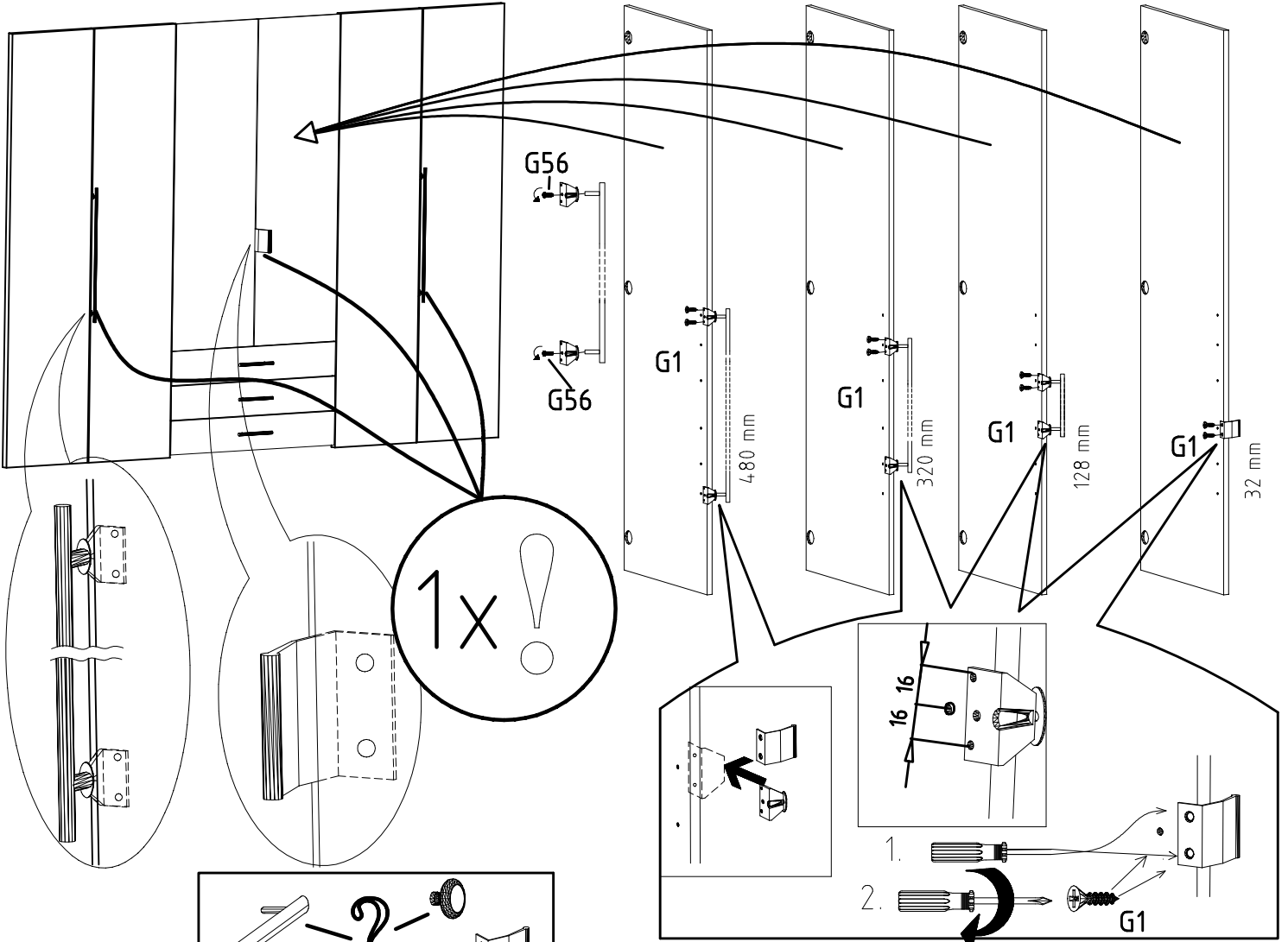


M4 x 9 mm **G8**

 111 015





3,5 x 15 mm	G1	4,0 x 12 mm	G56
121 370		122 625	



SP27
4 X 27mm
122620
4,0x22
G49
122 609

