
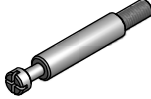
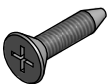


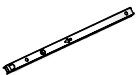



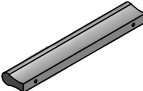
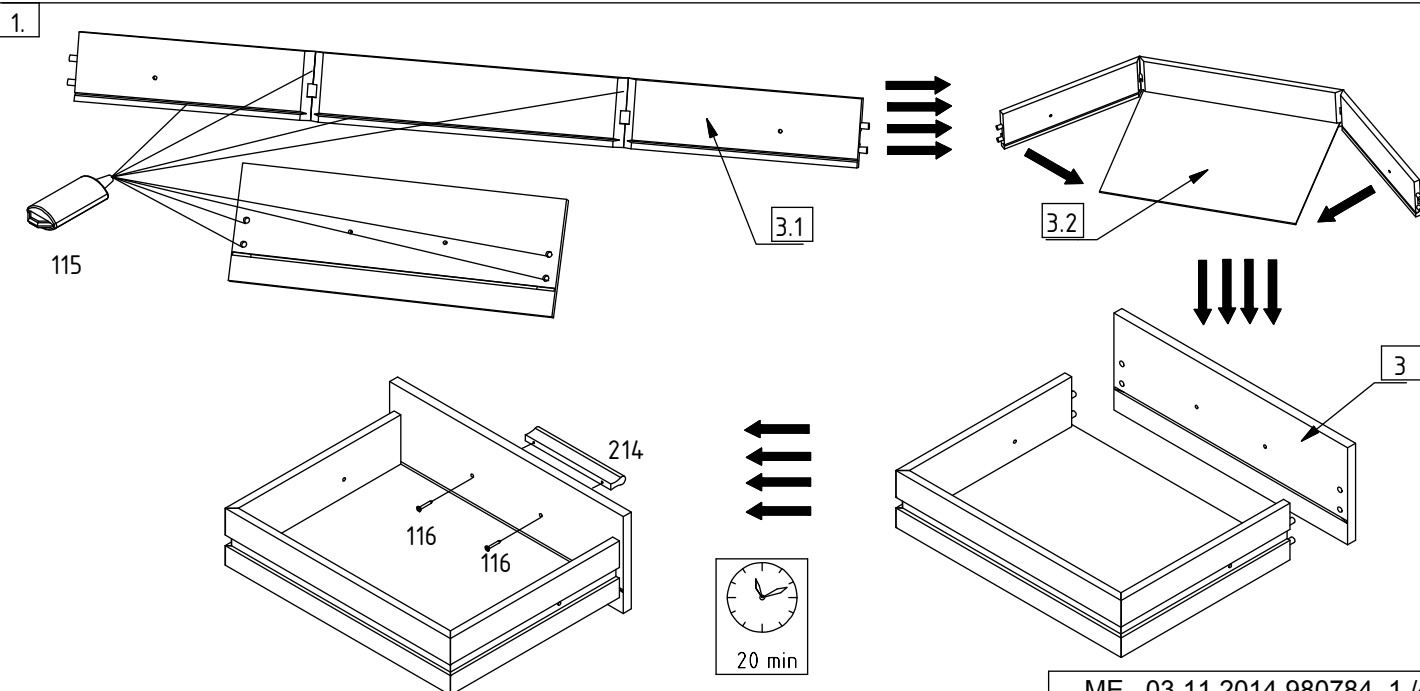
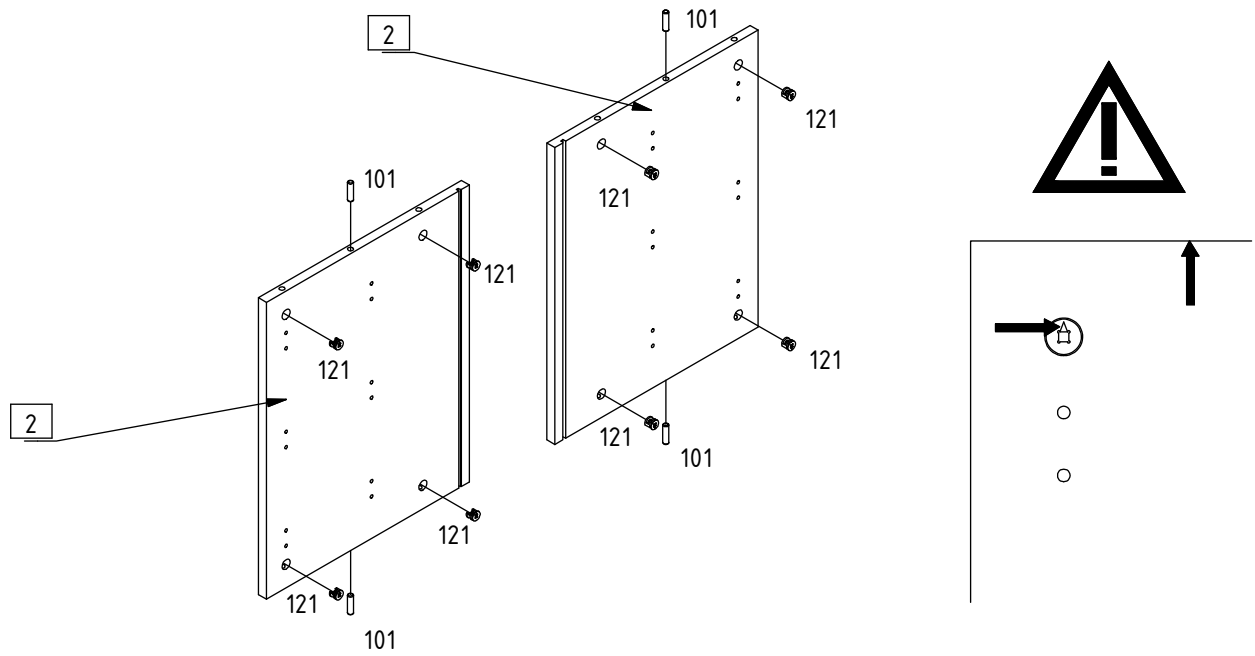


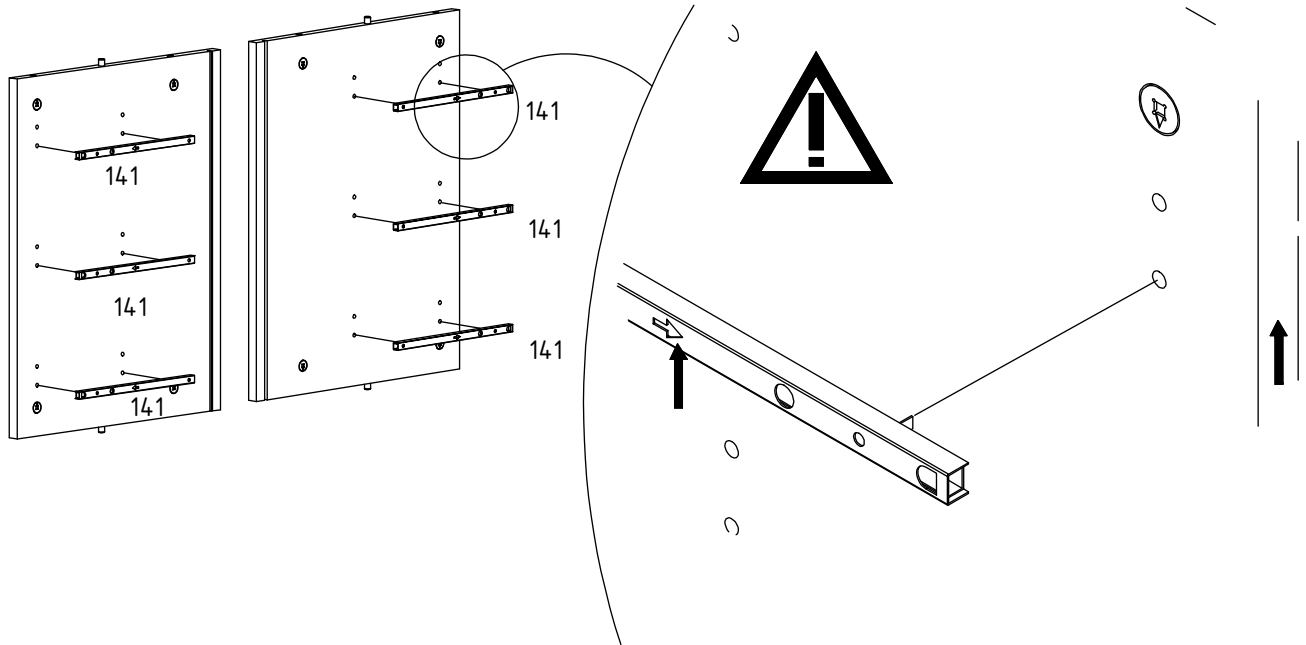
101	4 x		8 x 30 mm	122	8 x		
103	28 x		3,5 x 15 mm	136	6 x		M4 x 9 mm
115	2 x			141	6 x		
116	6 x		4 x 25 mm	208	4 x		
121	8 x			214	3 x		



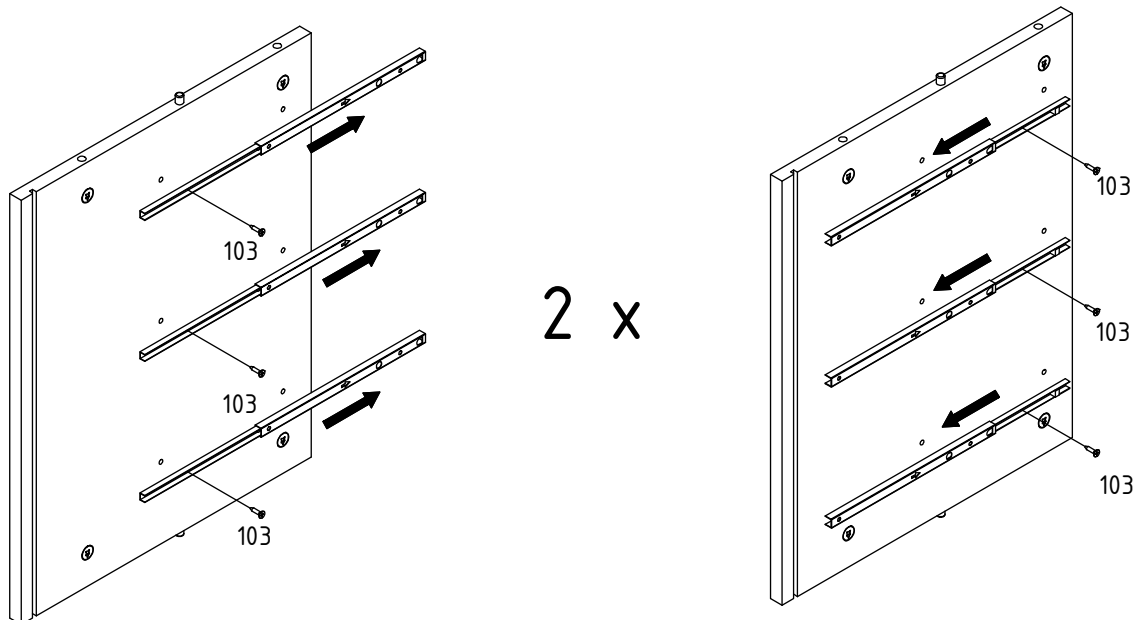
2.



3.

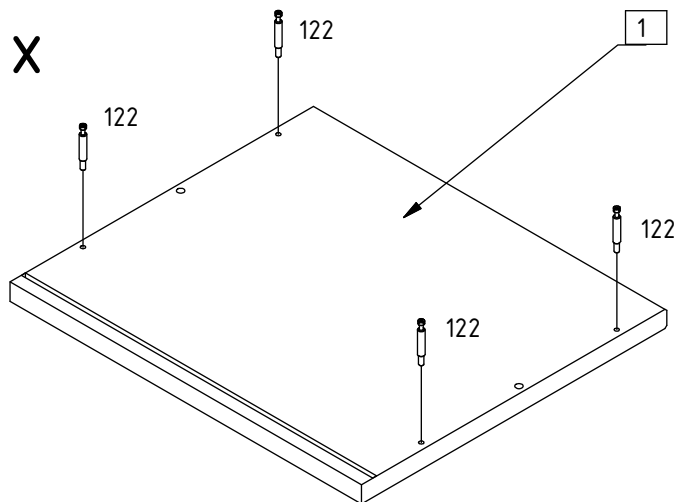


4.

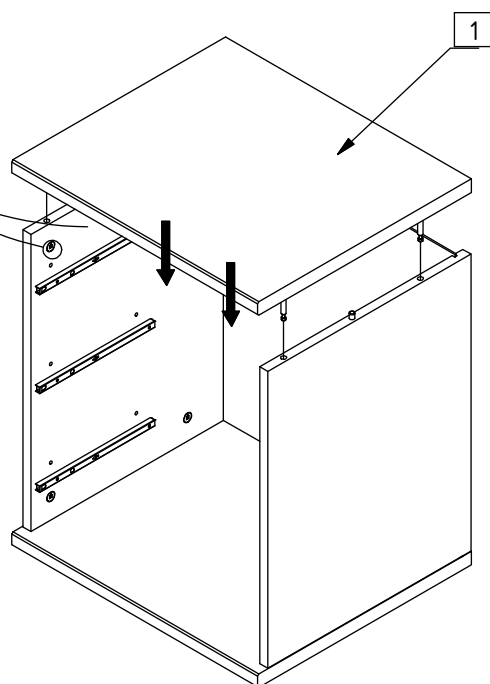
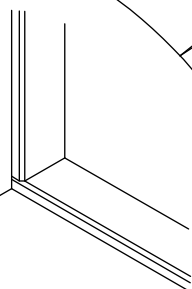
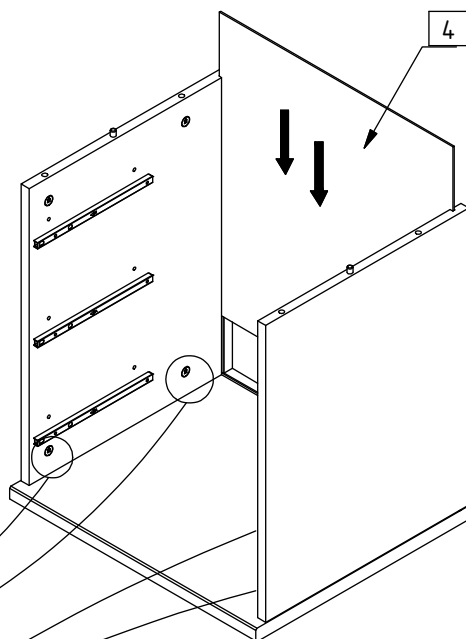
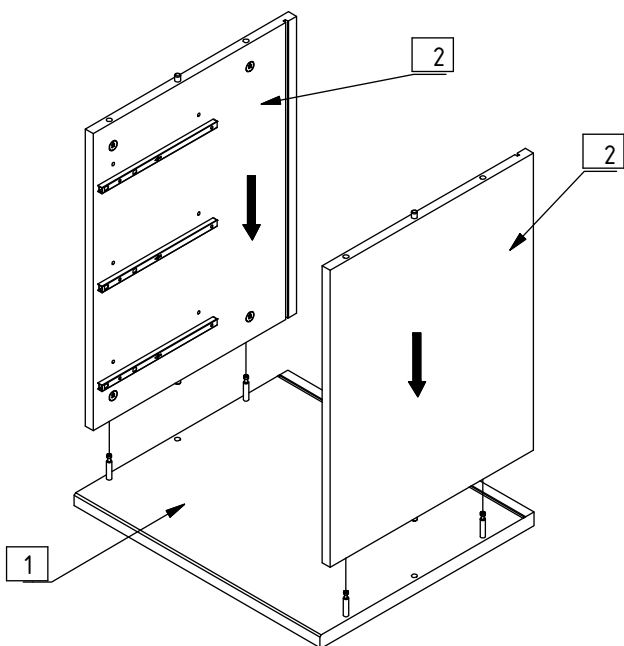


5.

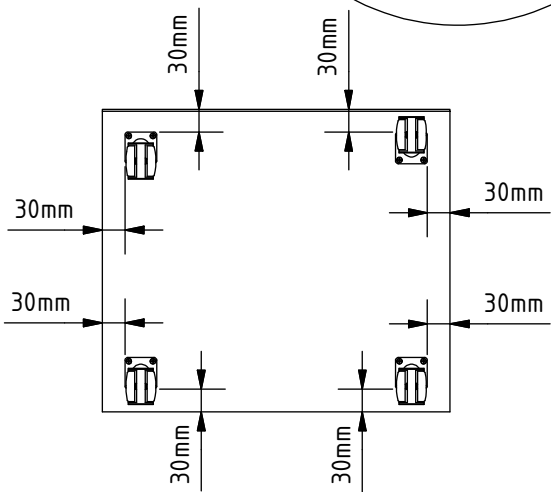
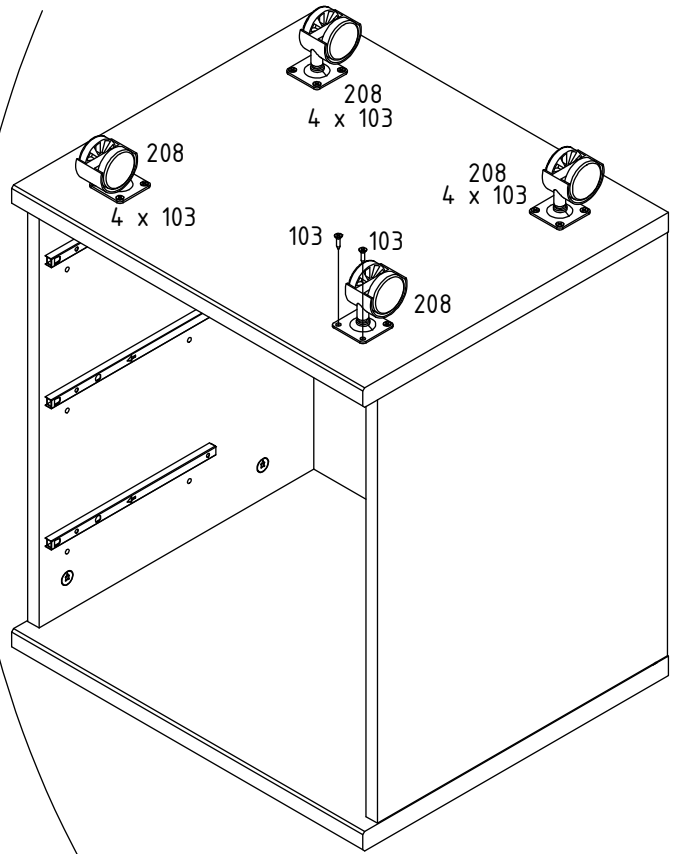
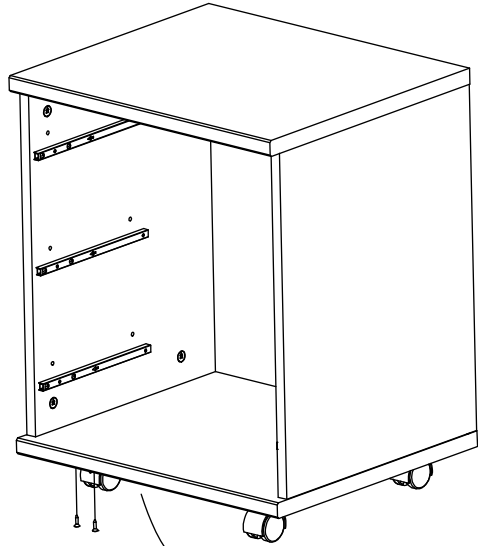
2 x



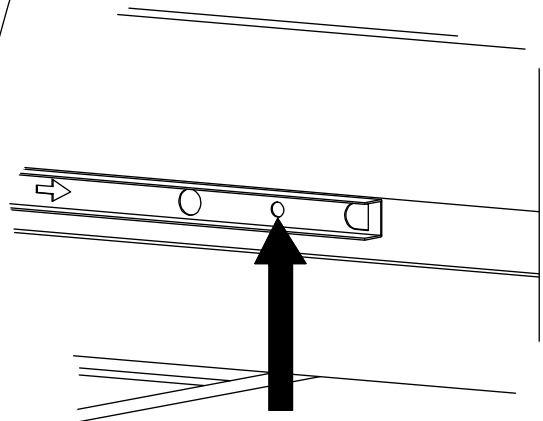
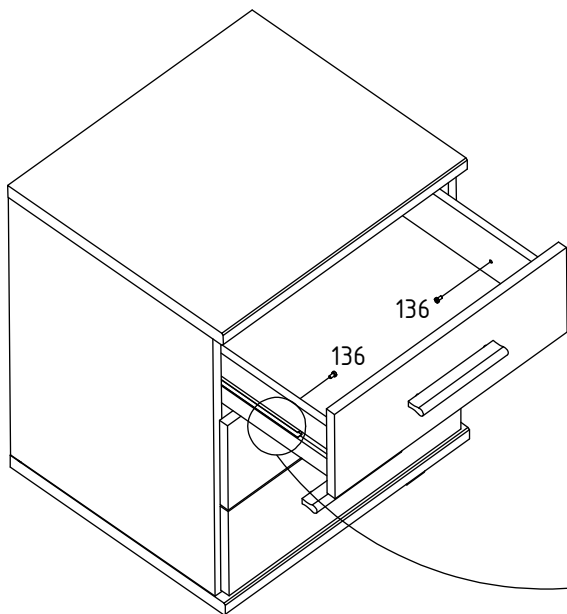
6.



7.



8.



3x